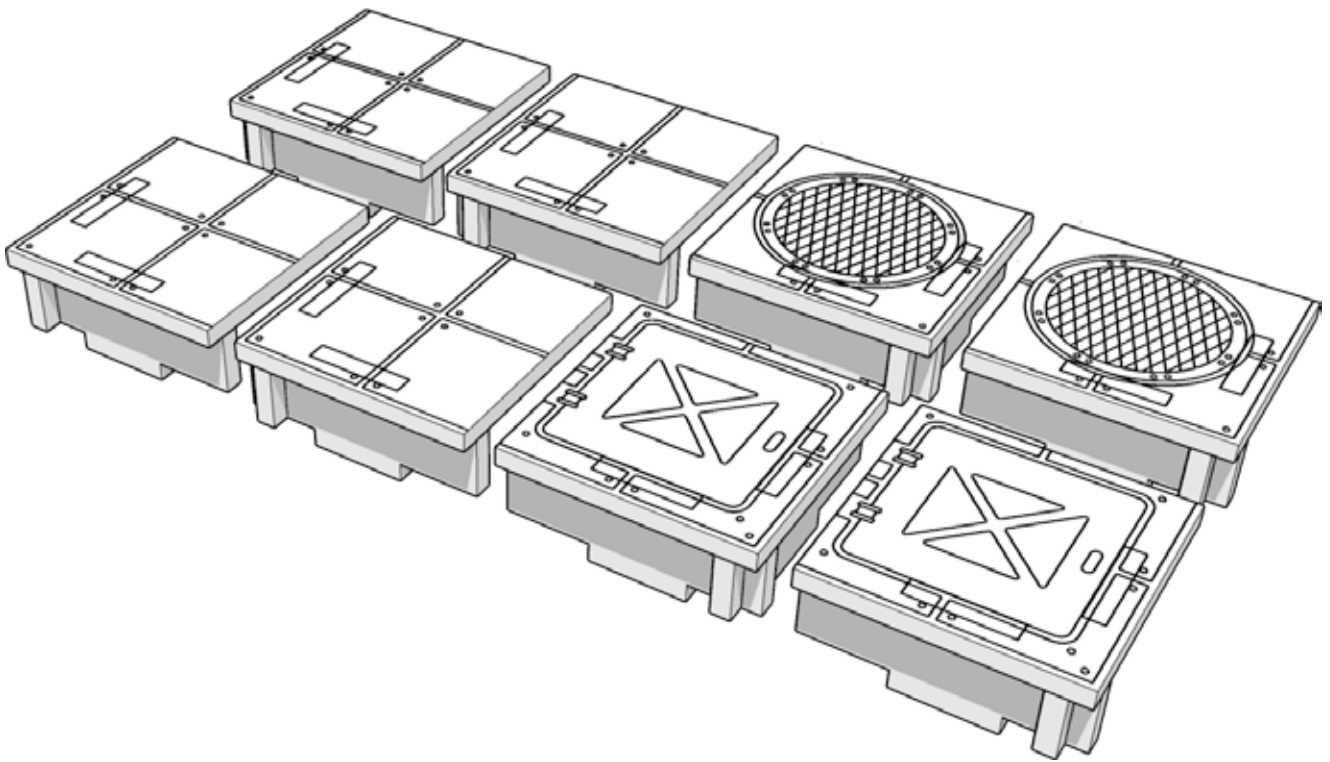




**TABLETOP
SCENICS**

**TTSCW-SFU-118
Mod.Co.N
Corner Expansion Blocks**



 **TTCOMBAT**



TABLETOP SCENICS

TTSCW-SFU-118 Mod.Co.N Corner Expansion Blocks

2

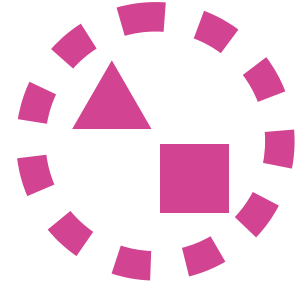
These are a series of icons that may be used throughout the instructions to help your assembly.
If in doubt, scroll ahead to confirm.



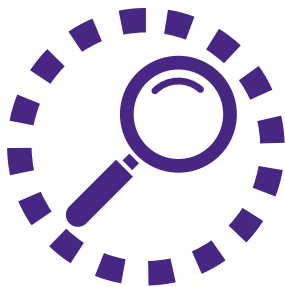
Do not glue this part



Carefully score and fold this part



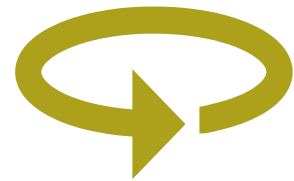
This part - or its placement is completely optional



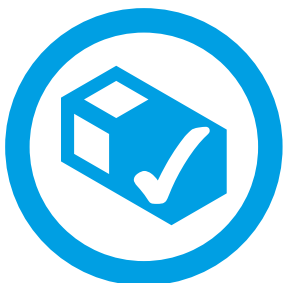
Look closely at this step -
The process order or part used, may be specific



Repeat making this part the specified number of times



The next instruction step will be the same assembly so far, but from a different angle



Sub-assembly complete. This smaller construction is ready to add to the main kit



Assembly Complete! There could be more optional parts - check to the very end of instructions



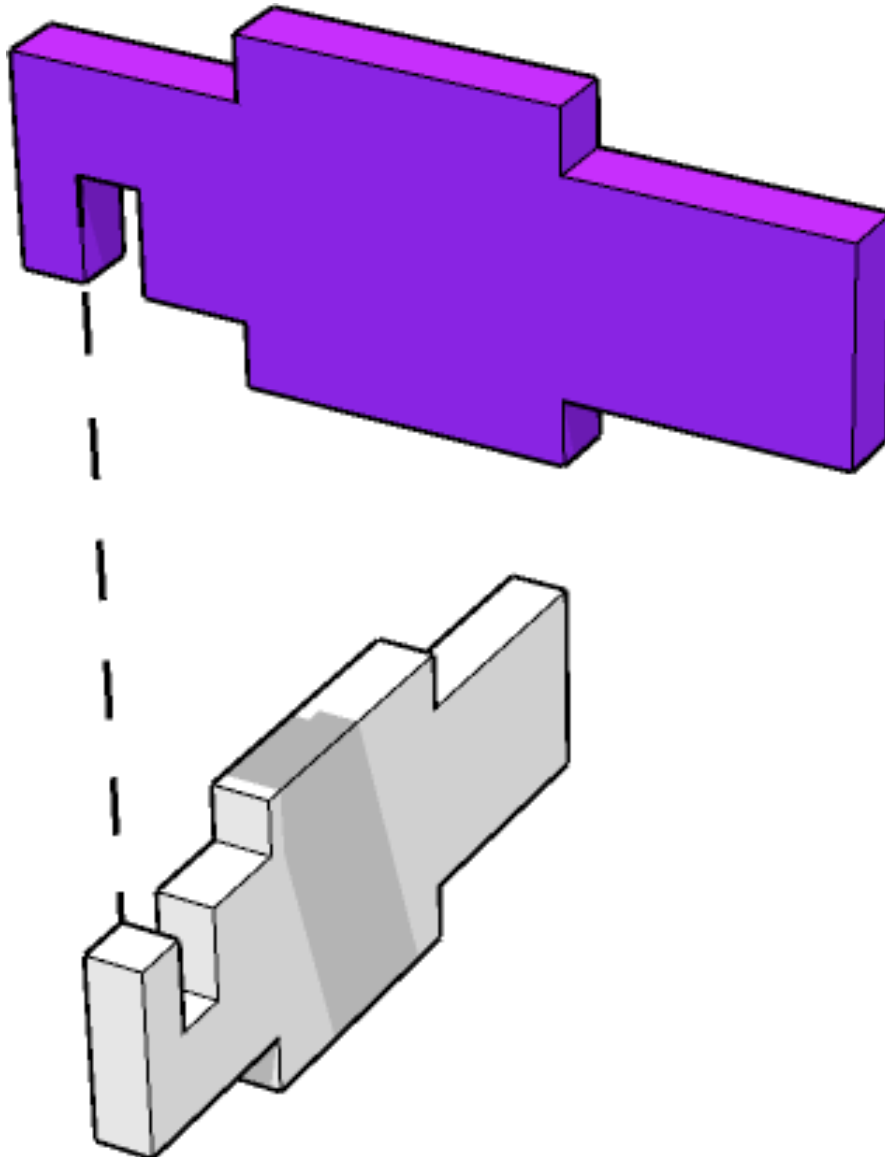
FRAGILE: DO NOT BEND. "Bendy wood" is designed to curve around a designed frame only.



TABLETOP SCENICS

TTSCW-SFU-118
Mod.Co.N
Corner Expansion Blocks

3

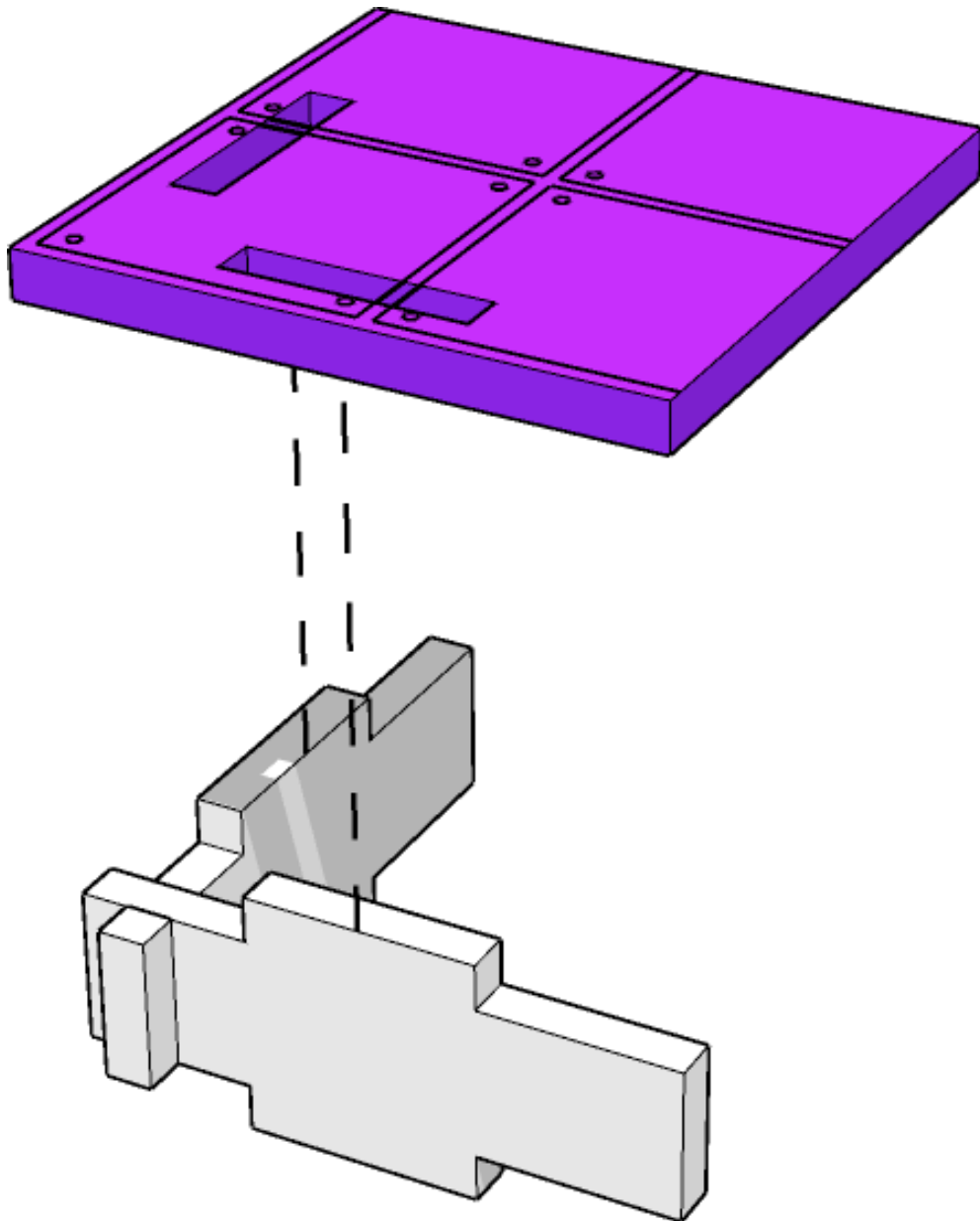




TABLETOP SCENICS

TTSCW-SFU-118
Mod.Co.N
Corner Expansion Blocks

4



Detailing will vary but the construction remains the same

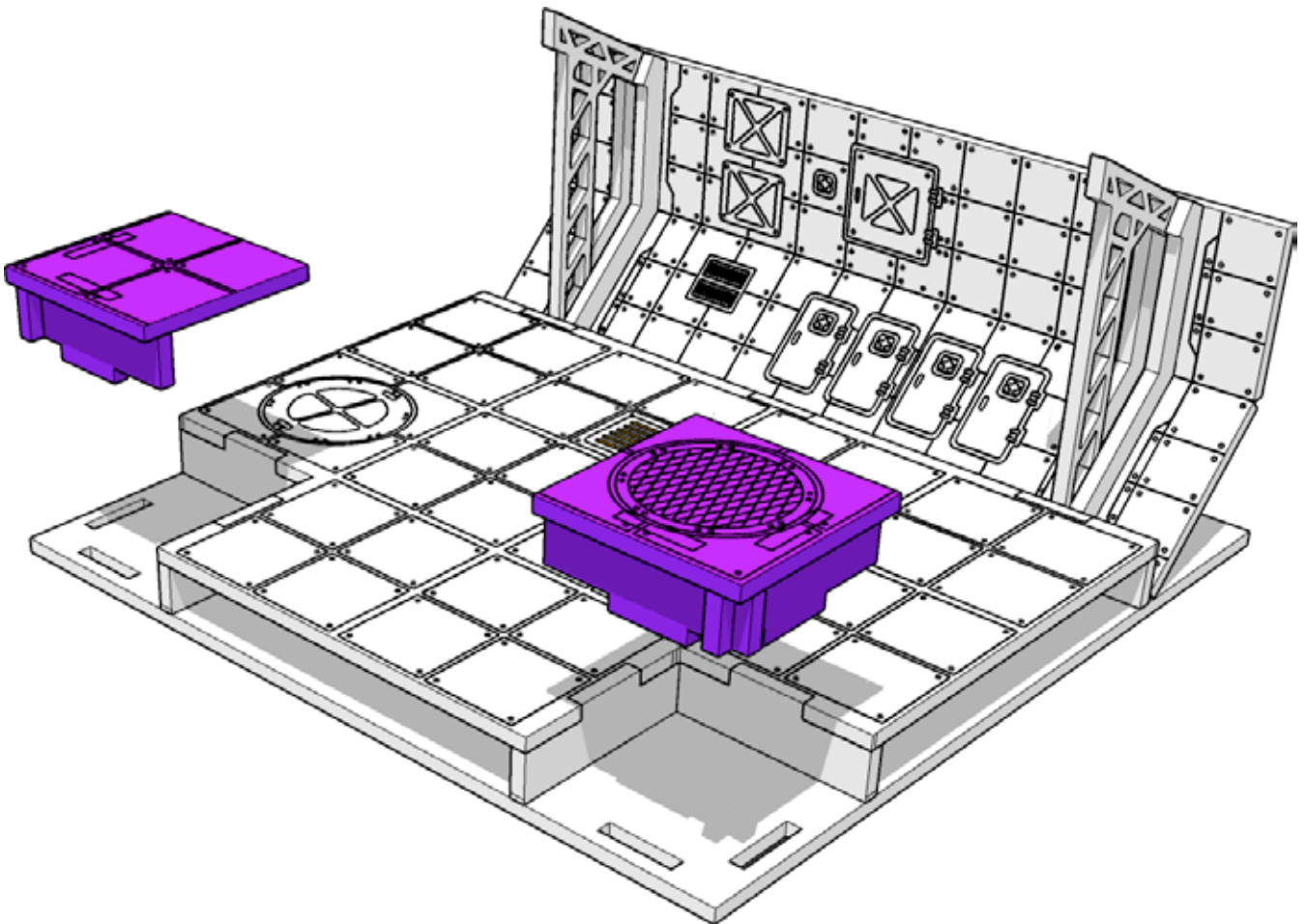




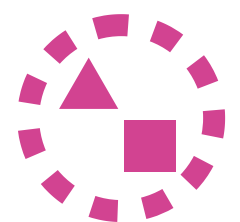
TABLETOP SCENICS

TTSCW-SFU-118
Mod.Co.N
Corner Expansion Blocks

5



Corner expansions are made to replace any corner struts in other Mod.Co.N kits.



 **TTCOMBAT**



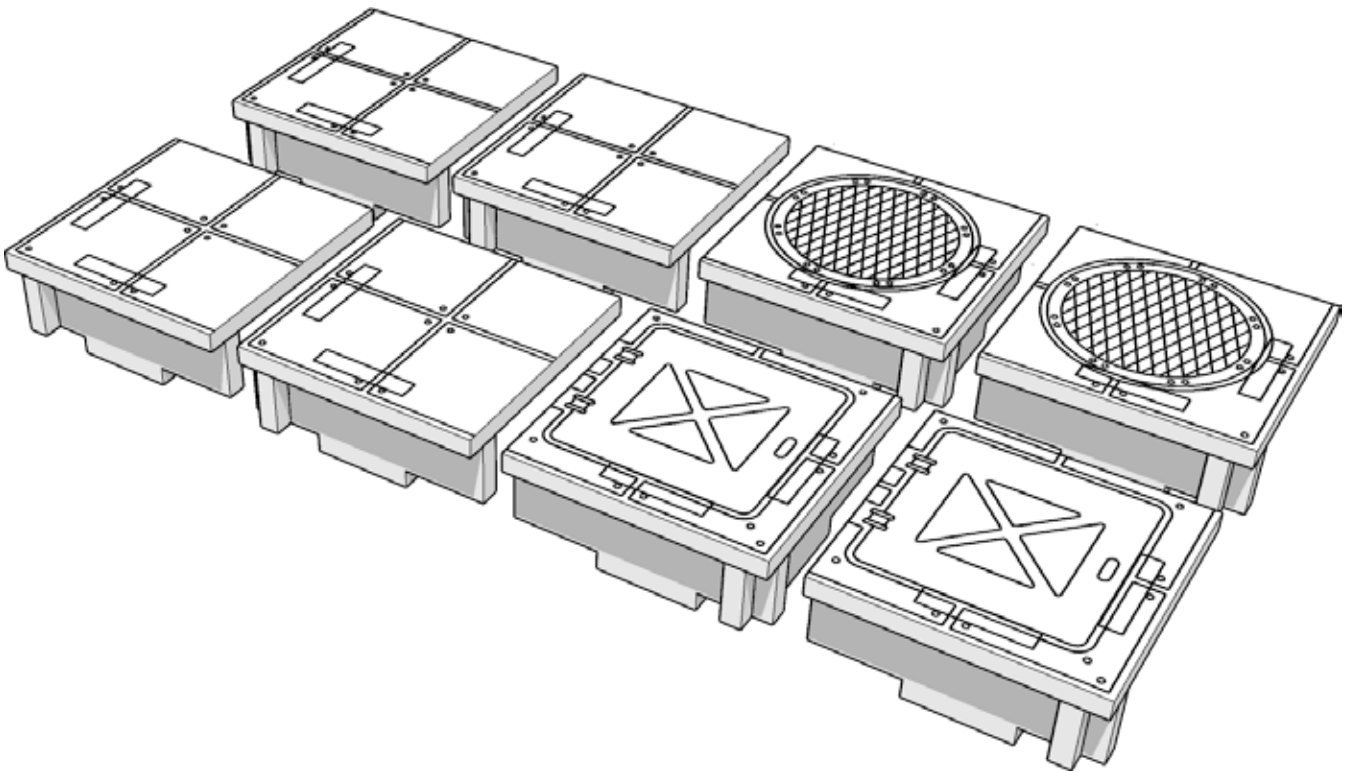
TABLETOP SCENICS

TTSCW-SFU-118

Mod.Co.N

Corner Expansion Blocks

6



 TTCOMBAT