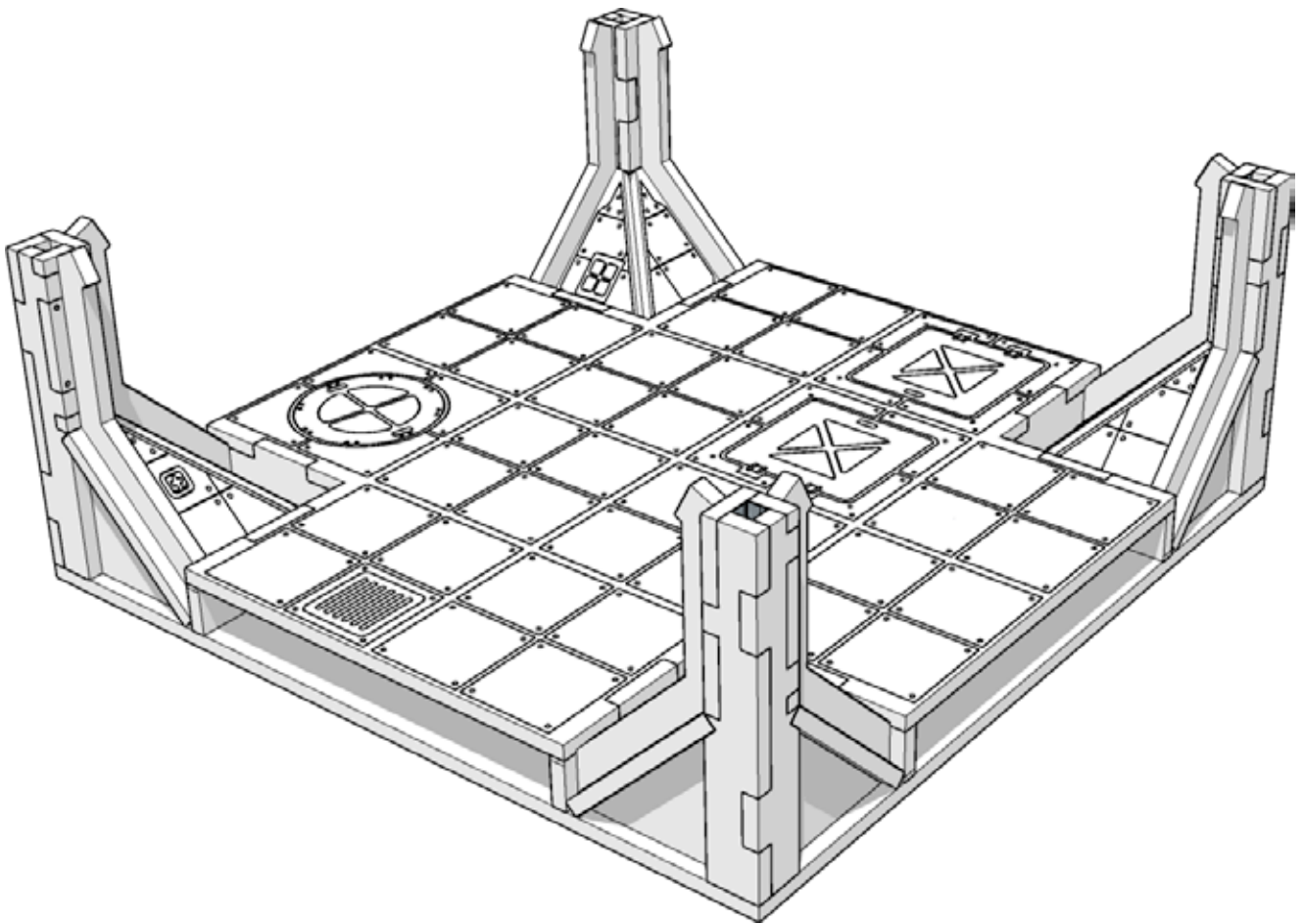




**TABLETOP  
SCENICS**

**TTSCW-SFU-114  
Mod.Co.N  
4 Way Cross Section**



**TTCOMBAT**



# TABLETOP SCENICS

## TTSCW-SFU-114 Mod.Co.N 4 Way Cross Section

### 2

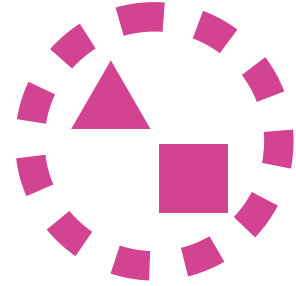
These are a series of icons that may be used throughout the instructions to help your assembly.  
If in doubt, scroll ahead to confirm.



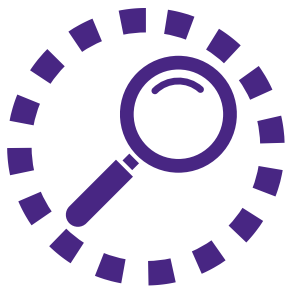
Do not glue this part



Carefully score and  
fold this part



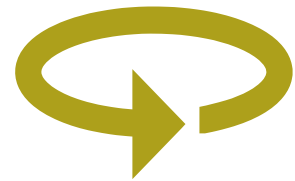
This part - or its placement is  
completely optional



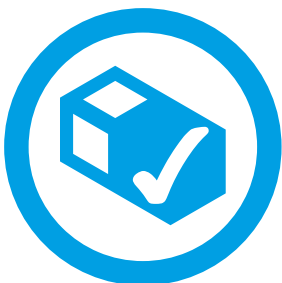
Look closely at this step -  
The process order or part  
used, may be specific



Repeat making this part  
the specified number  
of times



The next instruction step  
will be the same assembly  
so far, but from a different  
angle



Sub-assembly complete.  
This smaller construction  
is ready to add to the  
main kit



Assembly Complete! There  
could be more optional  
parts - check to the very end  
of instructions



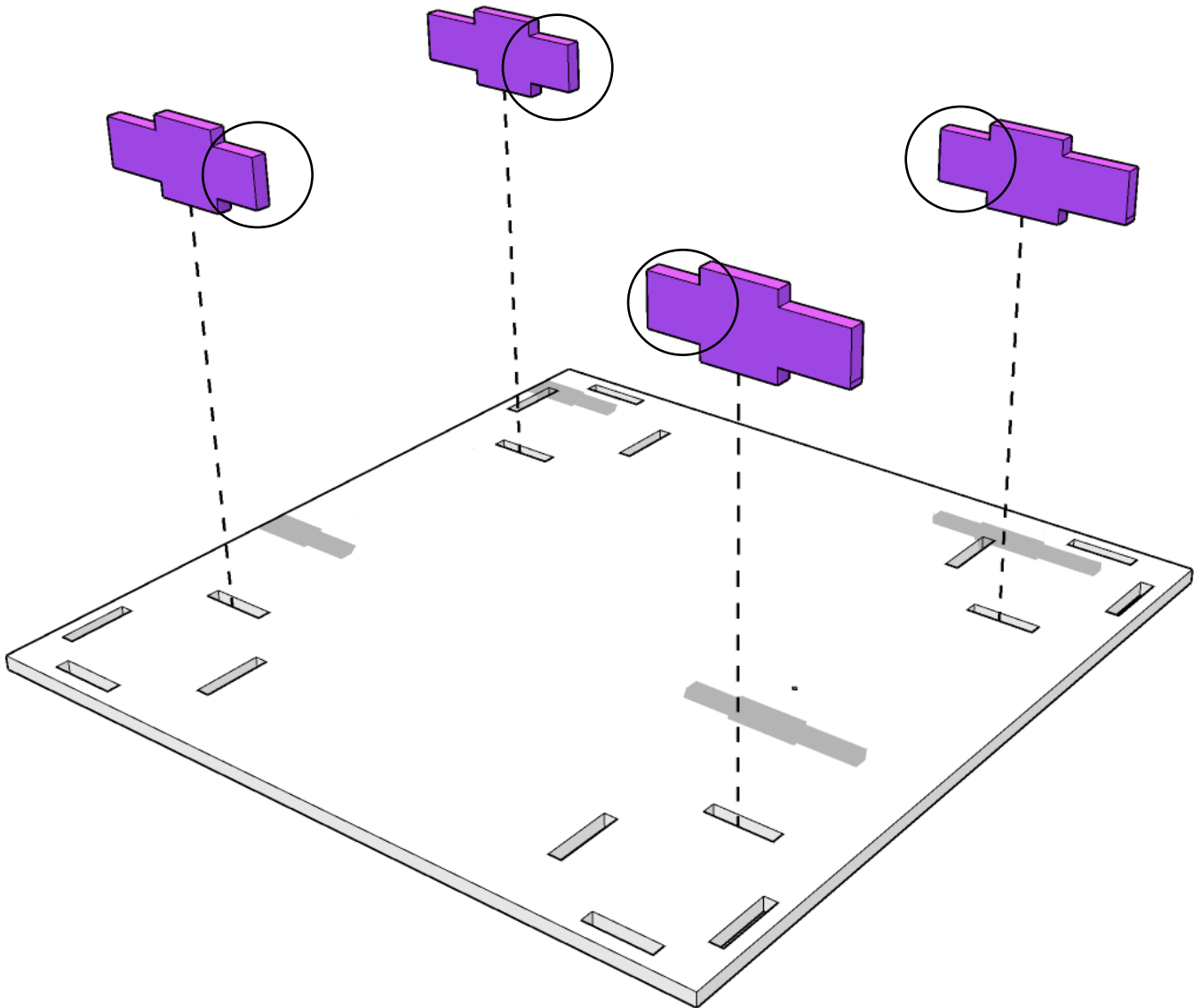
FRAGILE: DO NOT BEND.  
“Bendy wood” is designed to  
curve around a designed  
frame only.



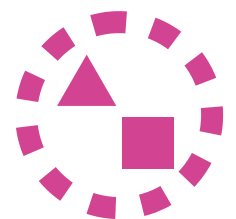
# TABLETOP SCENICS

TTSCW-SFU-114  
Mod.Co.N  
4 Way Cross Section

3



There are 8 similar parts. Highlighted parts are shorter on one side and there are 4 in total. Shorter side must face inwards



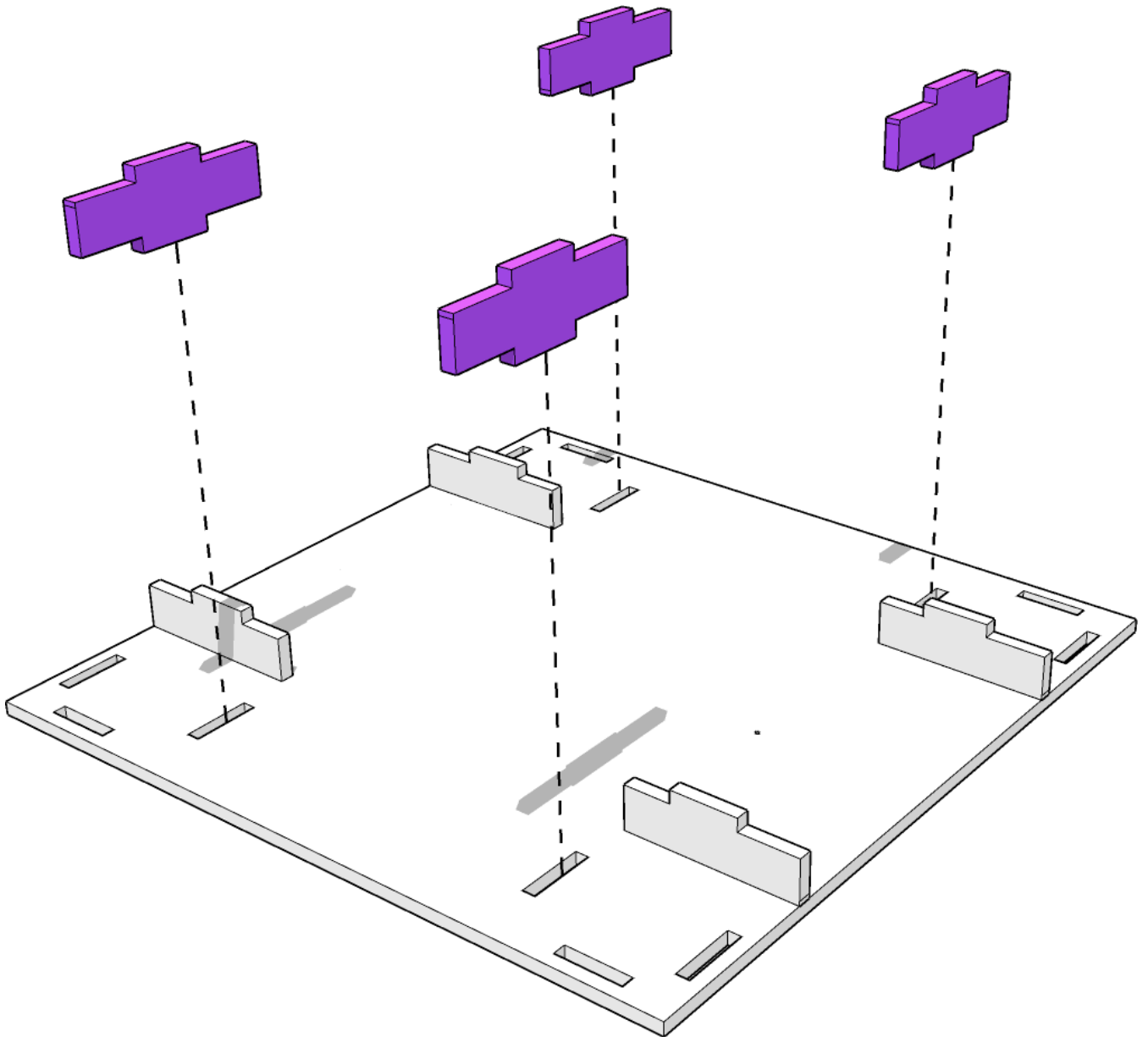
 **TTCOMBAT**



# TABLETOP SCENICS

**TTSCW-SFU-114**  
**Mod.Co.N**  
**4 Way Cross Section**

**4**

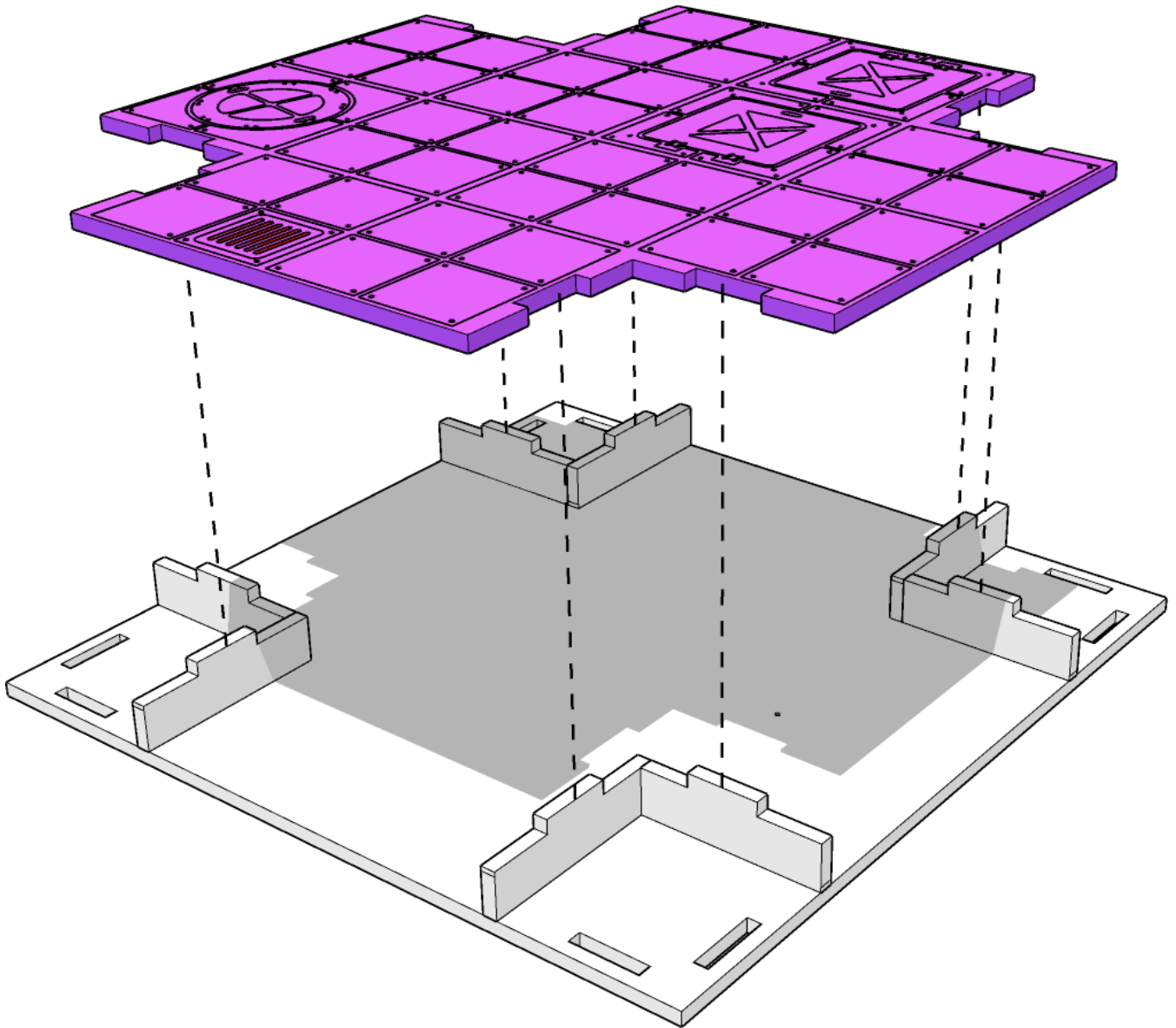




# TABLETOP SCENICS

**TTSCW-SFU-114**  
**Mod.Co.N**  
**4 Way Cross Section**

**5**

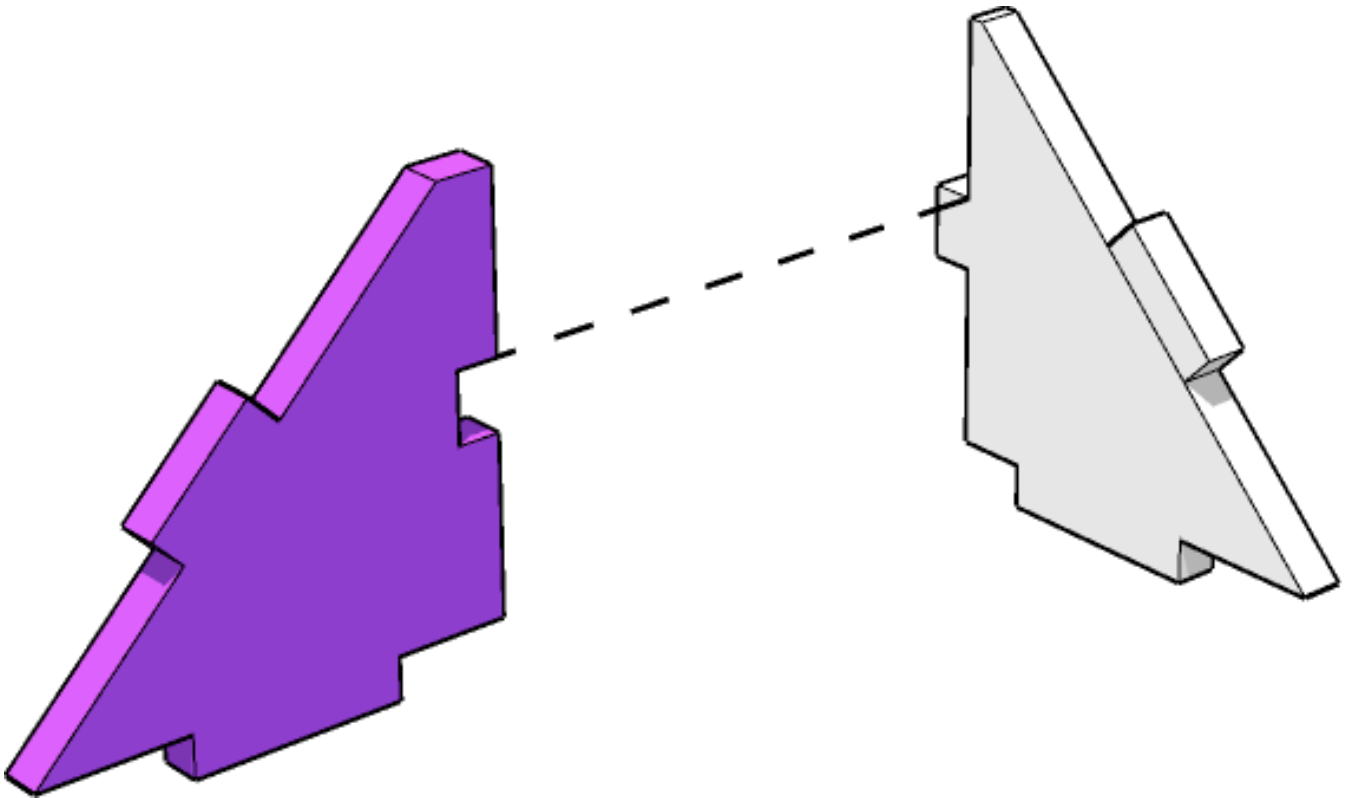




# TABLETOP SCENICS

**TTSCW-SFU-114**  
**Mod.Co.N**  
**4 Way Cross Section**

**6**

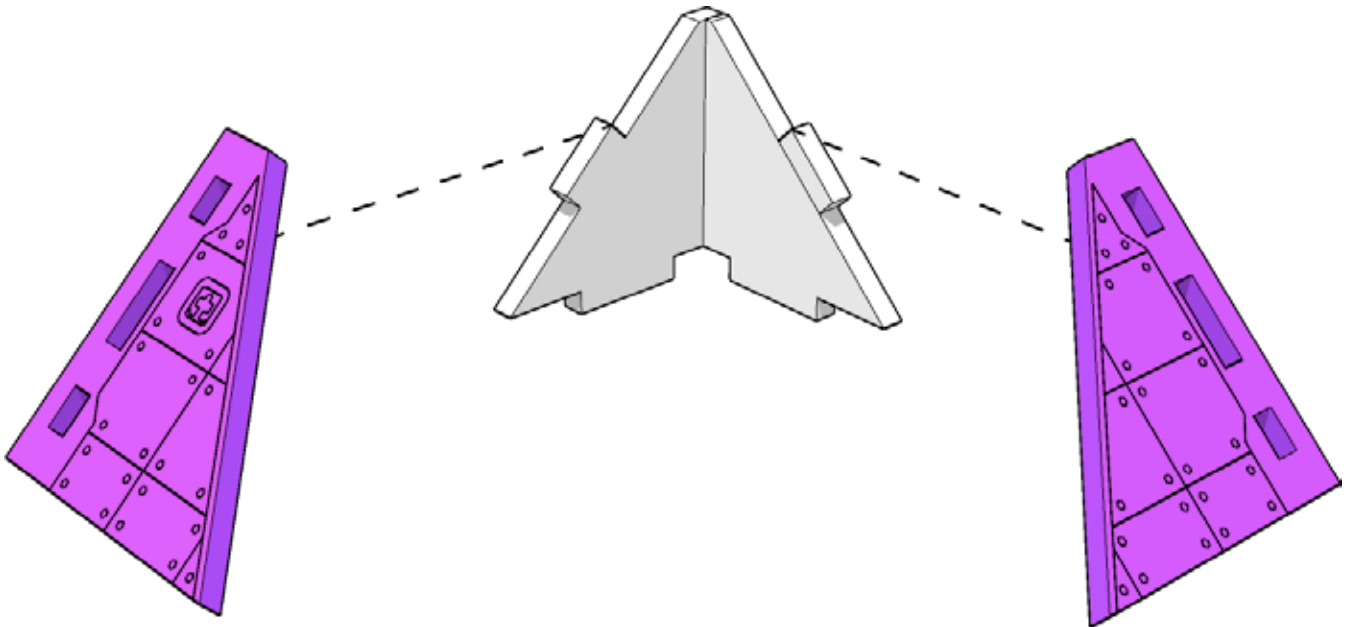




# TABLETOP SCENICS

**TTSCW-SFU-114**  
**Mod.Co.N**  
**4 Way Cross Section**

**7**

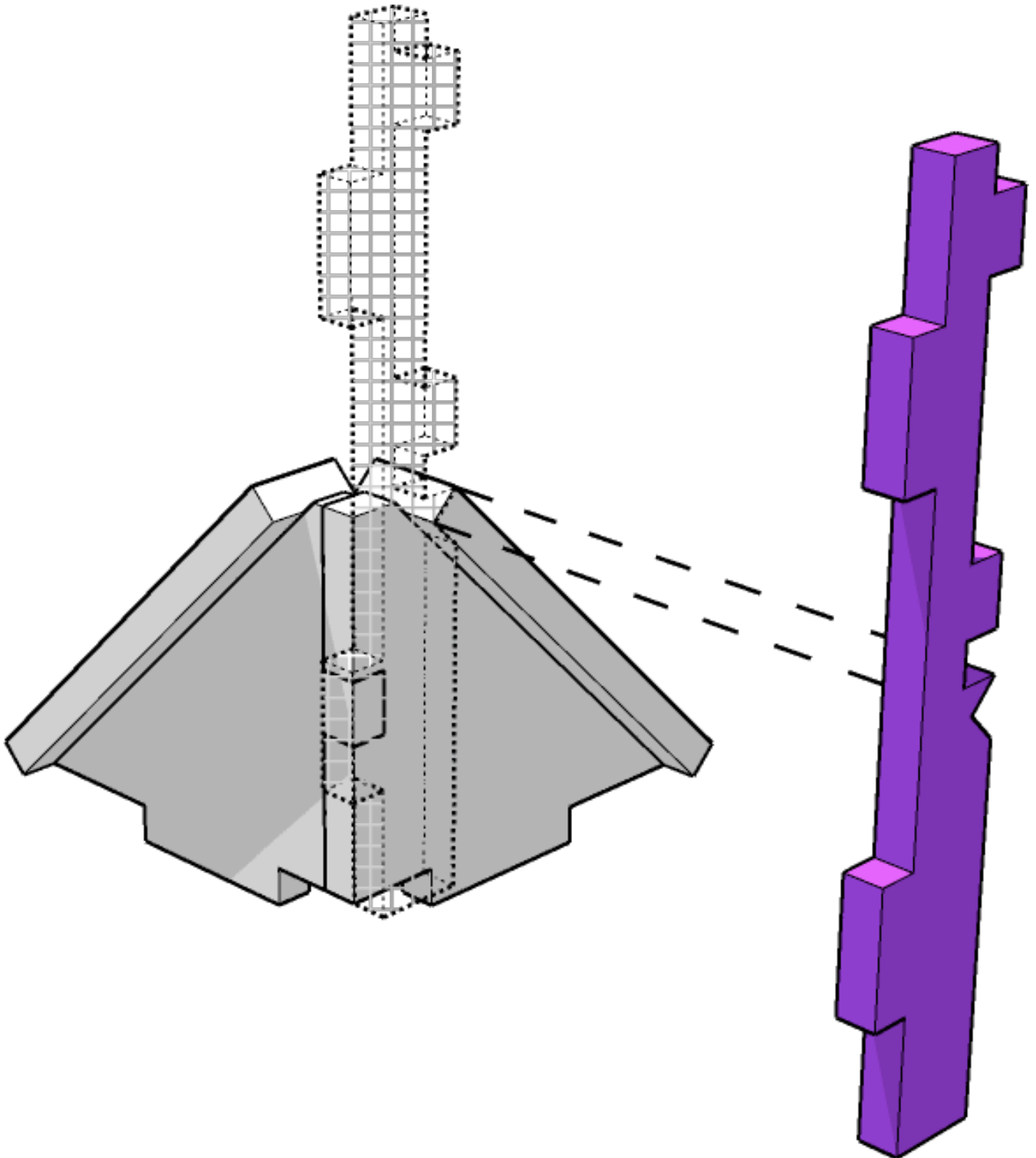




# TABLETOP SCENICS

TTSCW-SFU-114  
Mod.Co.N  
4 Way Cross Section

8



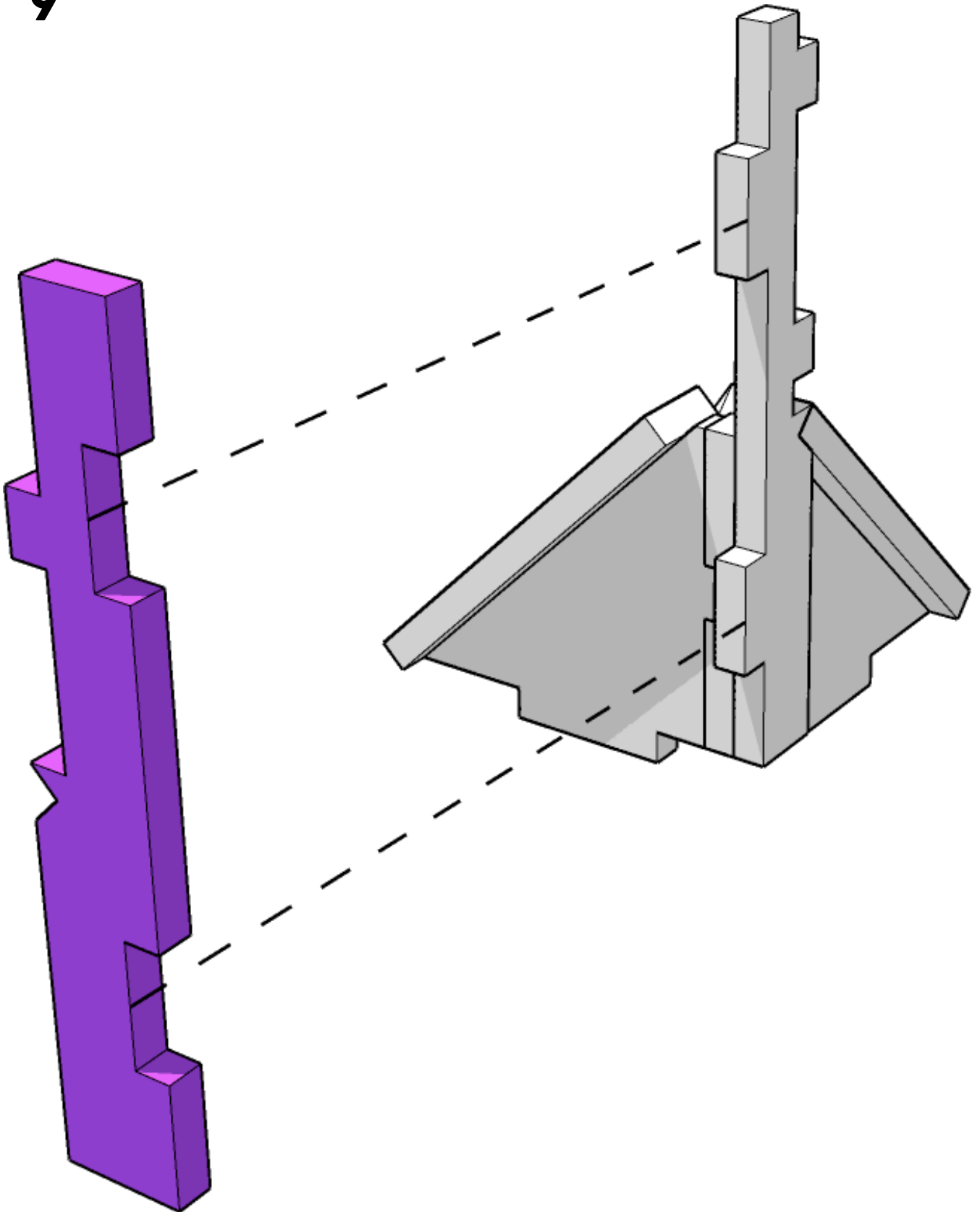




# TABLETOP SCENICS

TTSCW-SFU-114  
Mod.Co.N  
4 Way Cross Section

9

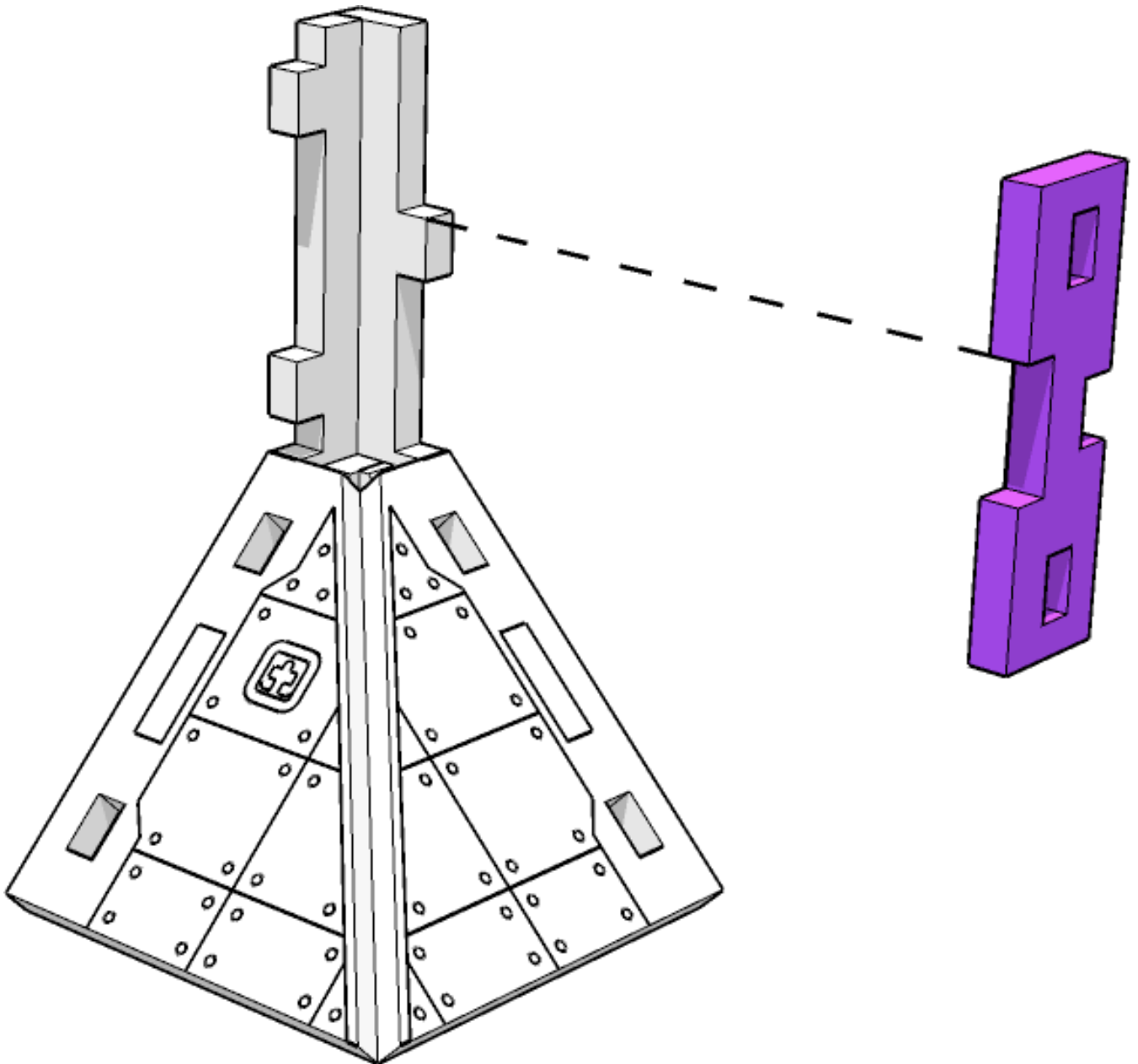




# TABLETOP SCENICS

**TTSCW-SFU-114**  
**Mod.Co.N**  
**4 Way Cross Section**

**10**

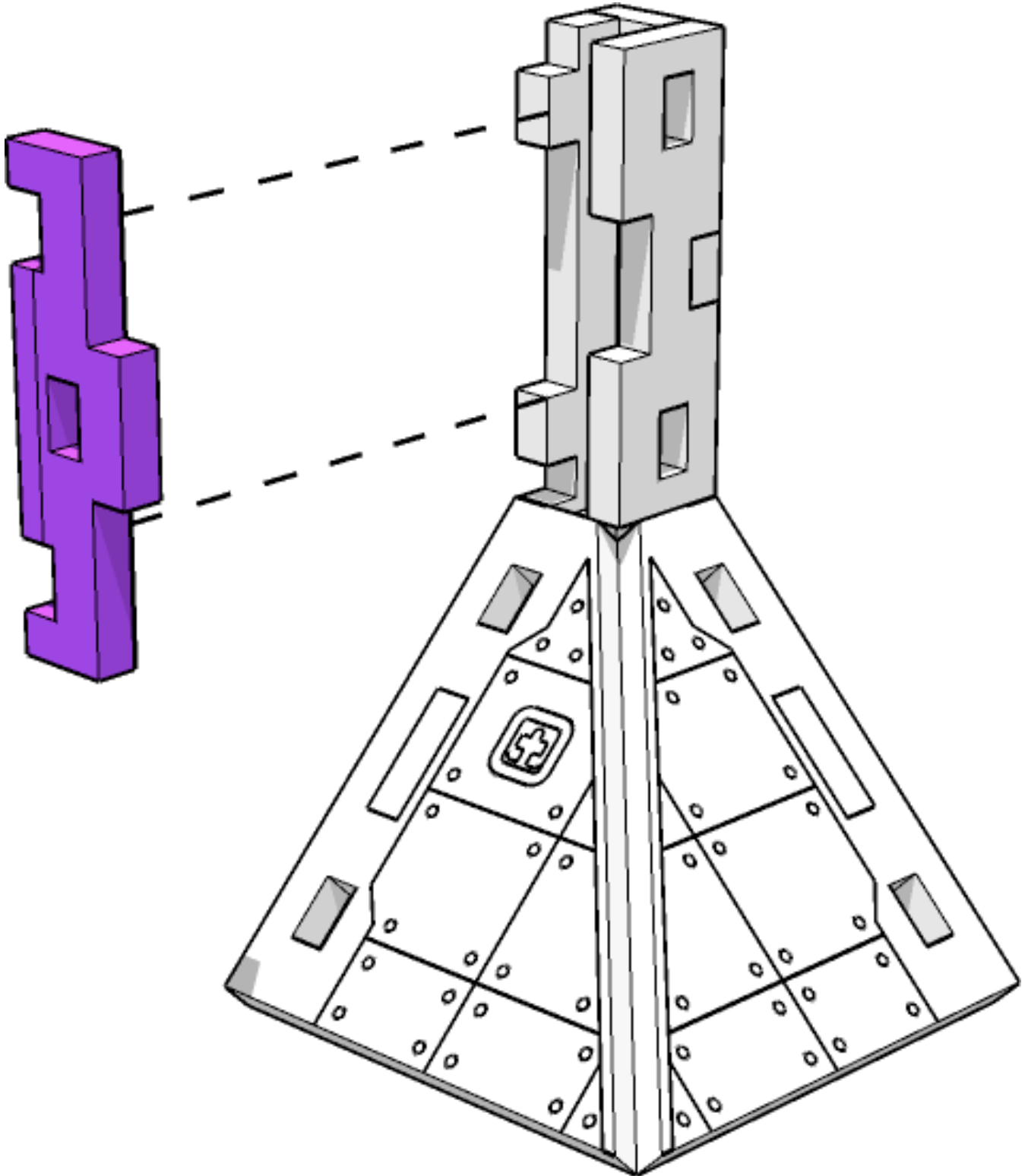




# TABLETOP SCENICS

TTSCW-SFU-114  
Mod.Co.N  
4 Way Cross Section

11

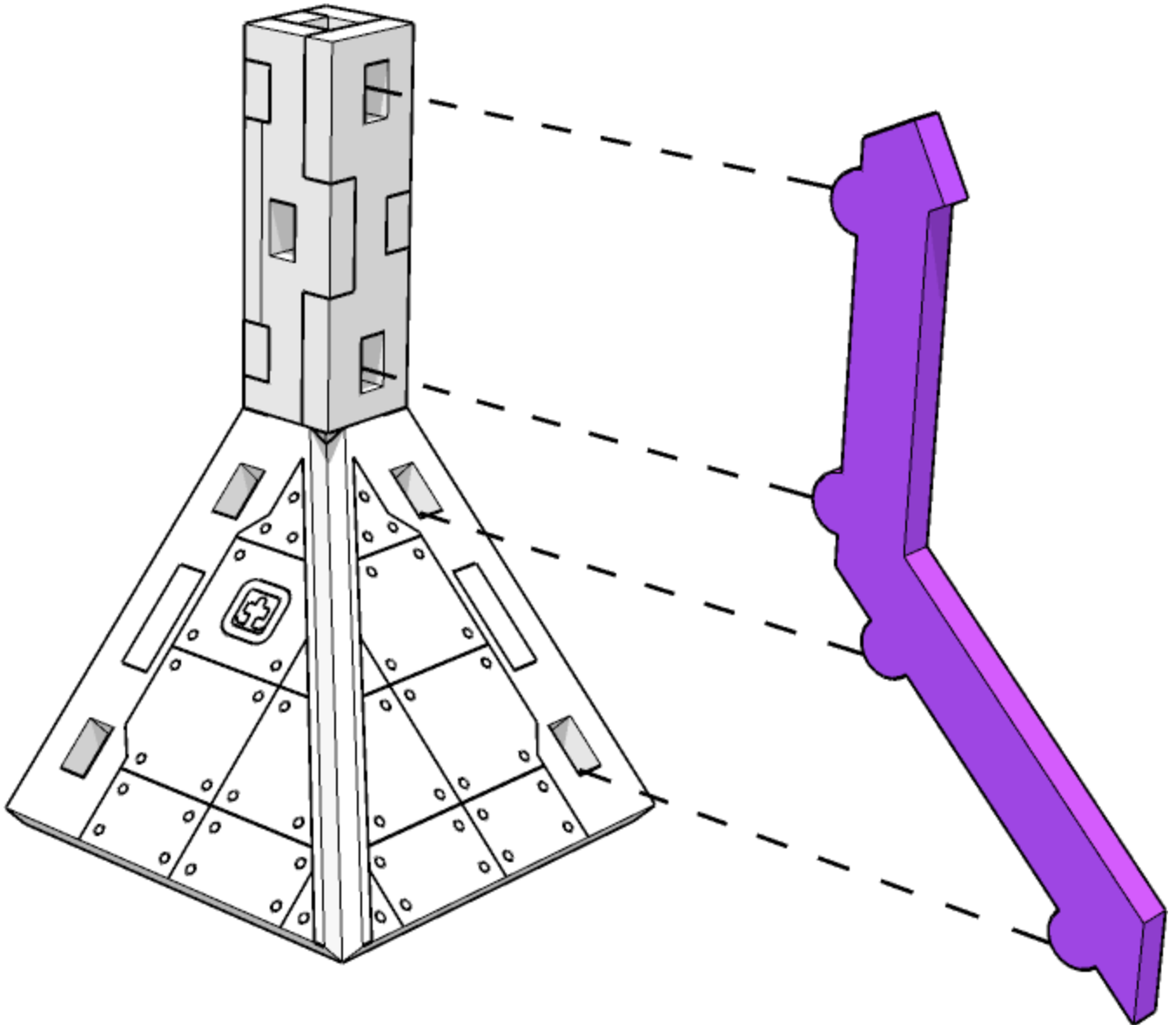




# TABLETOP SCENICS

TTSCW-SFU-114  
Mod.Co.N  
4 Way Cross Section

12

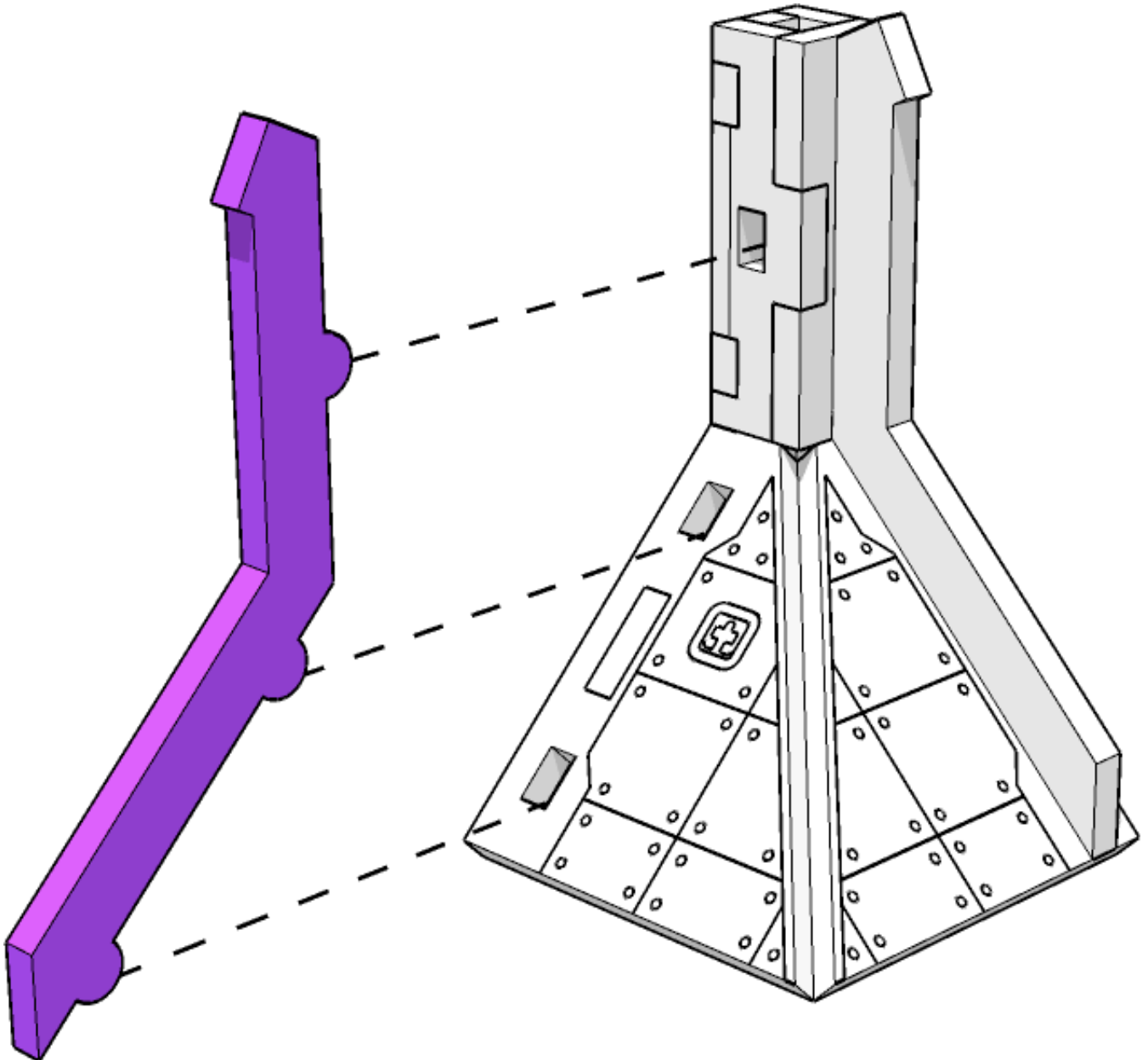




# TABLETOP SCENICS

TTSCW-SFU-114  
Mod.Co.N  
4 Way Cross Section

13



Highlighted part has only one connector at the top



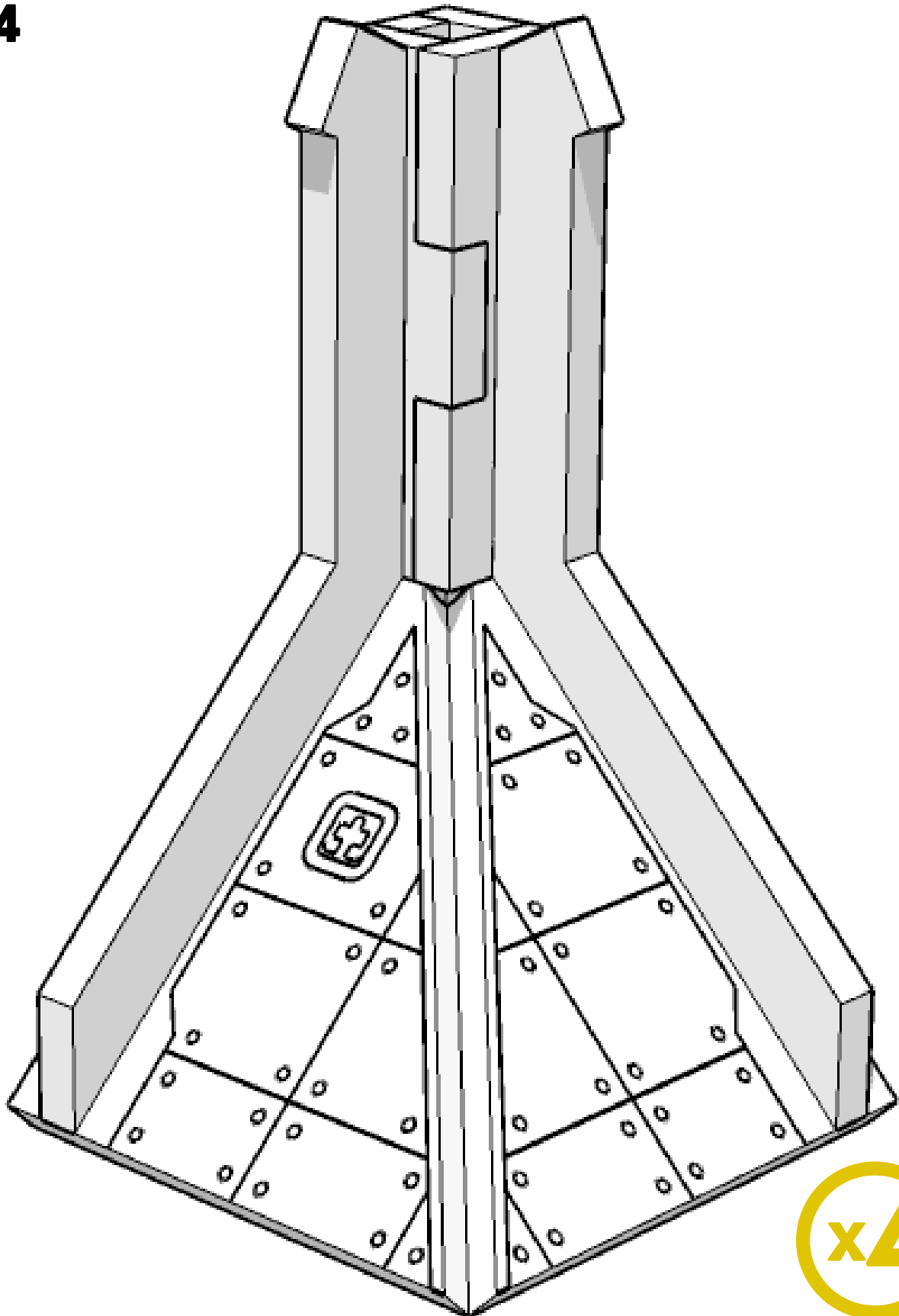
 TTCOMBAT



# TABLETOP SCENICS

TTSCW-SFU-114  
Mod.Co.N  
4 Way Cross Section

14



Detailing will vary but the construction remains the same





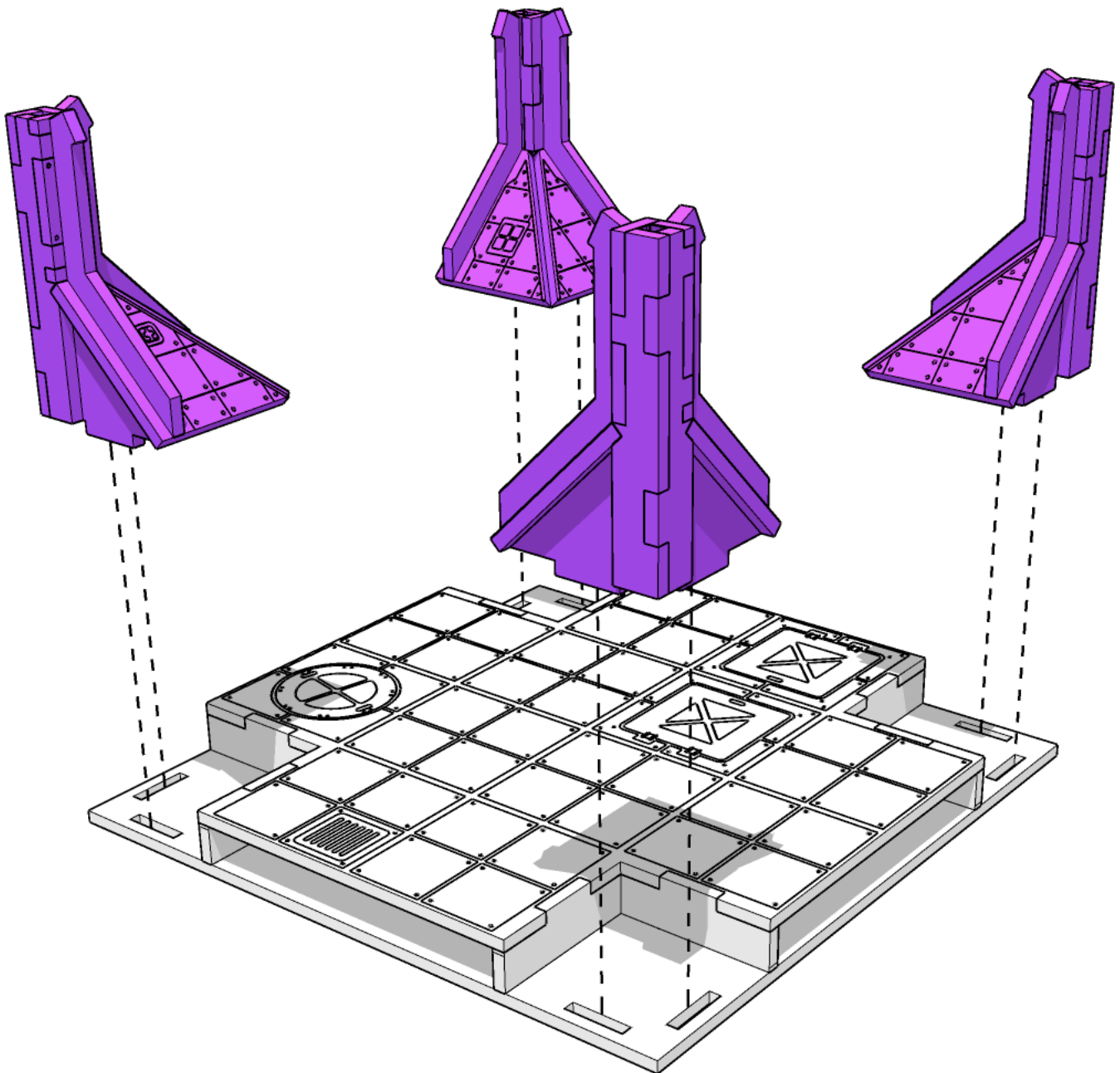
# TABLETOP SCENICS

TTSCW-SFU-114

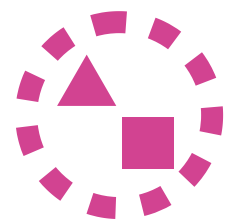
Mod.Co.N

4 Way Cross Section

15



Recommended to not glue in place. This allows flexibility with the corner blocks kit to switch between corner struts and corner expansions for different layout options



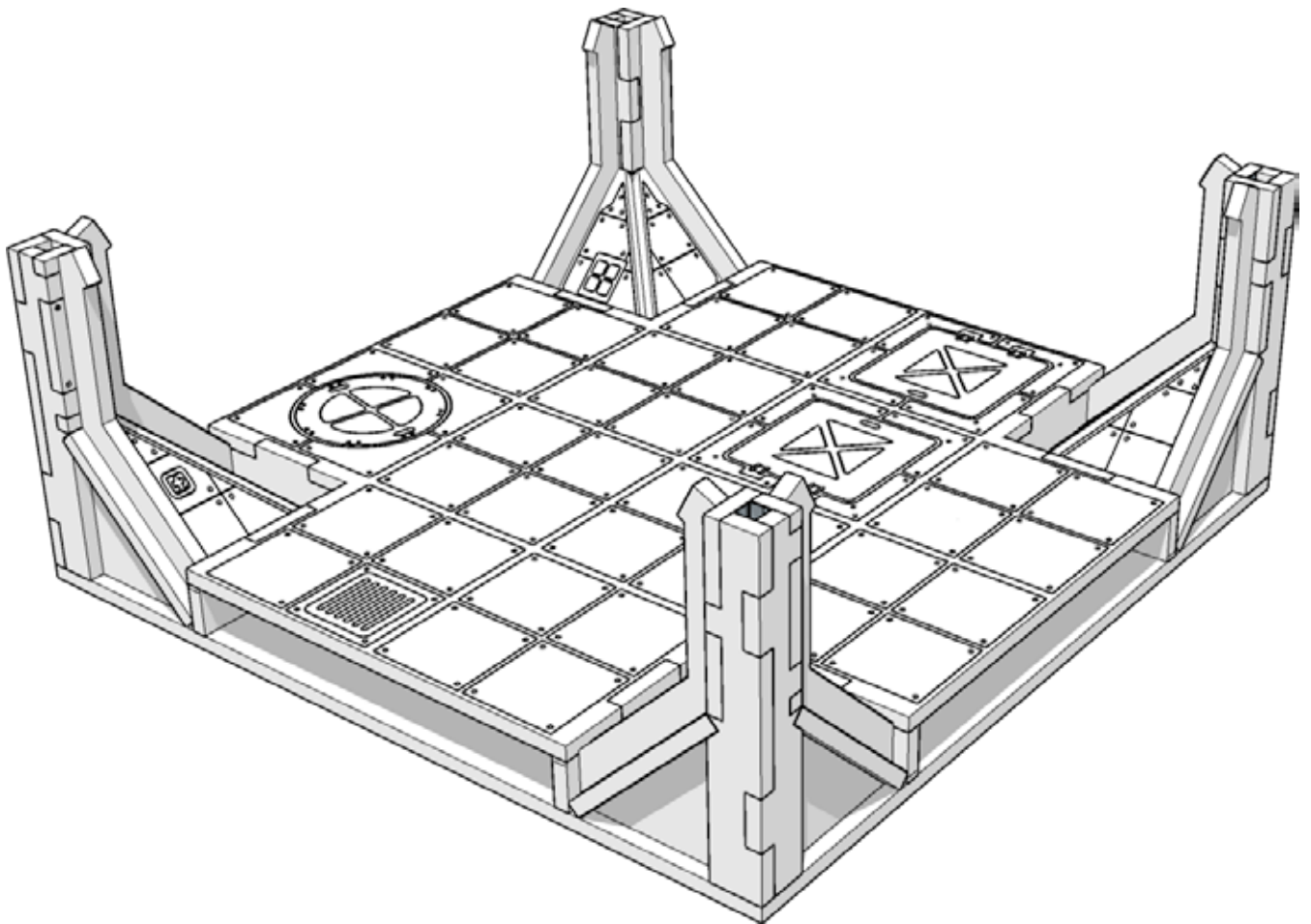
TTCOMBAT



# TABLETOP SCENICS

**TTSCW-SFU-114**  
**Mod.Co.N**  
**4 Way Cross Section**

**16**



 **TTCOMBAT**