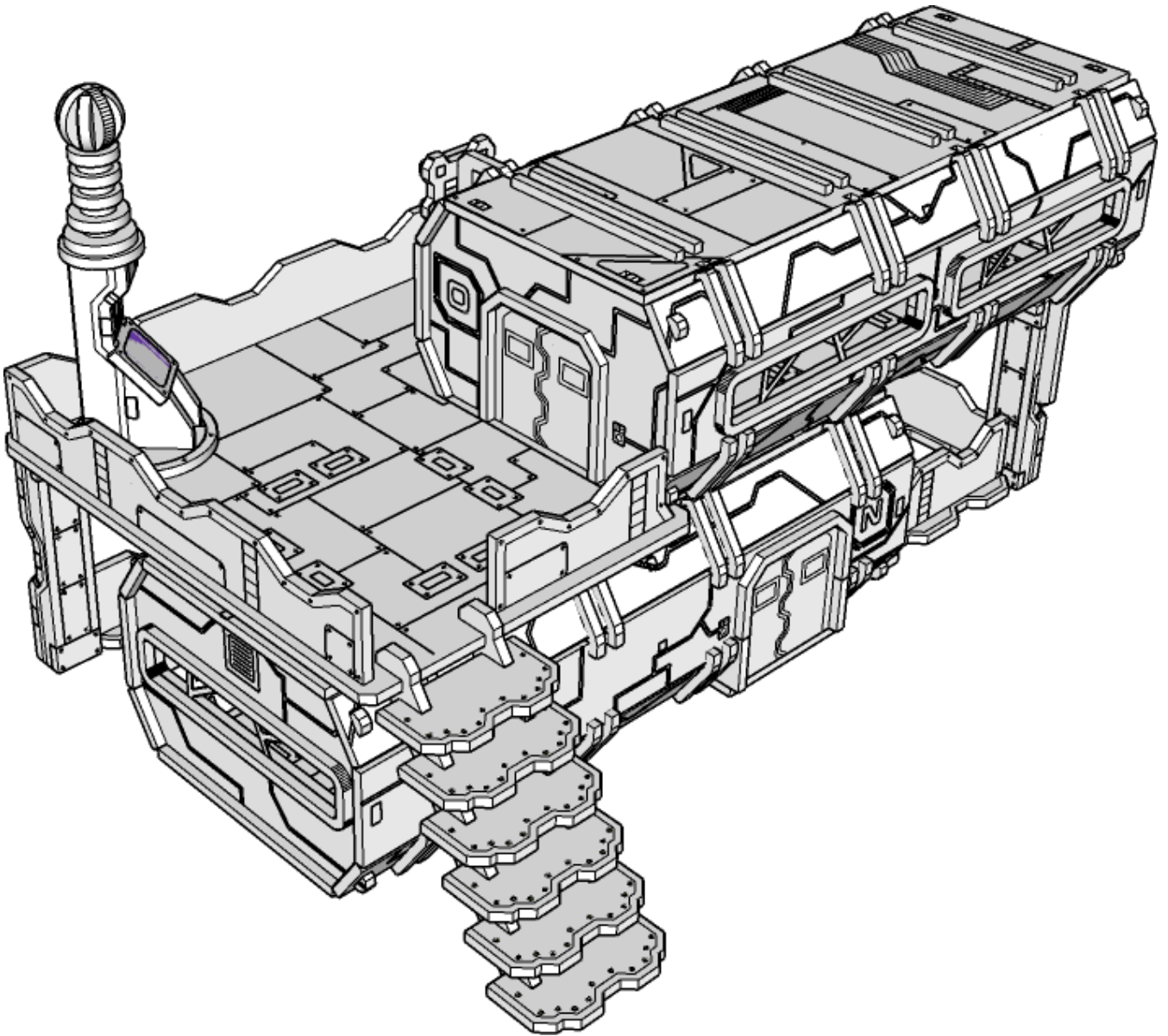




TABLETOP  
**SCENICS**

**TTSC-SFU-107**  
**Prefab Beta**



**1**



 **TTCOMBAT**



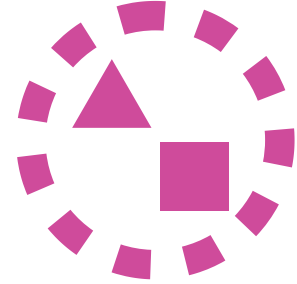
These are a series of icons that may be used throughout the instructions to help your assembly. If in doubt, scroll ahead to confirm.



Do not glue



Carefully score  
and fold



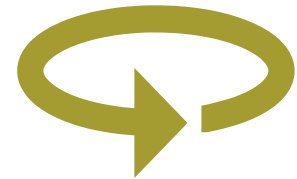
This part or its placement  
is completely optional



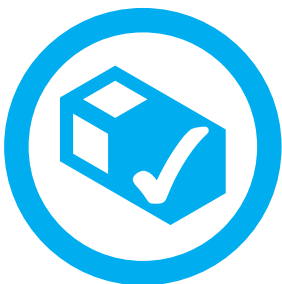
Look closely at this step.  
The process order or part  
used, may be specific



Repeat making this  
part for the specified  
number of times



The next instruction step  
will be the same  
assembly but from  
a different angle



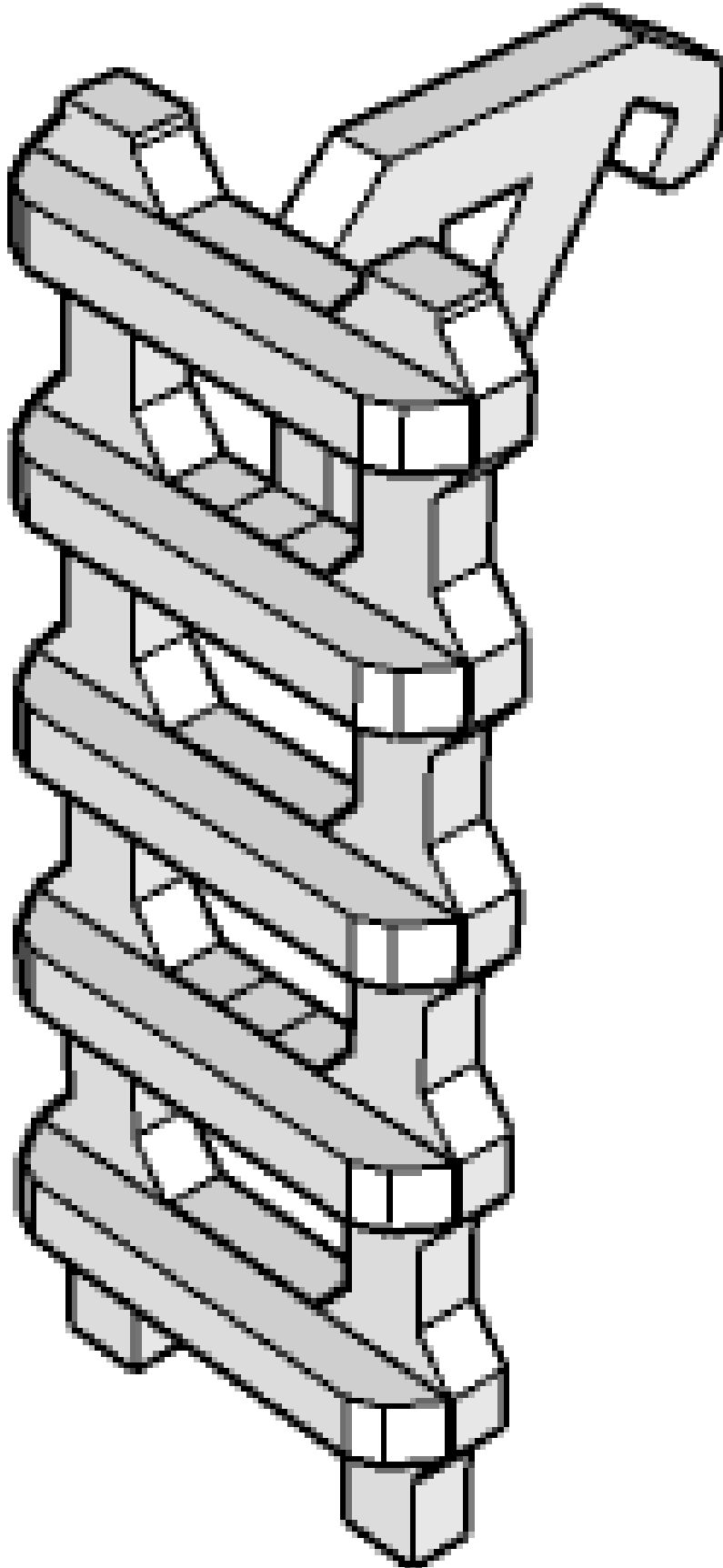
Sub-assembly complete.  
This smaller construction  
is ready to add to the  
main kit

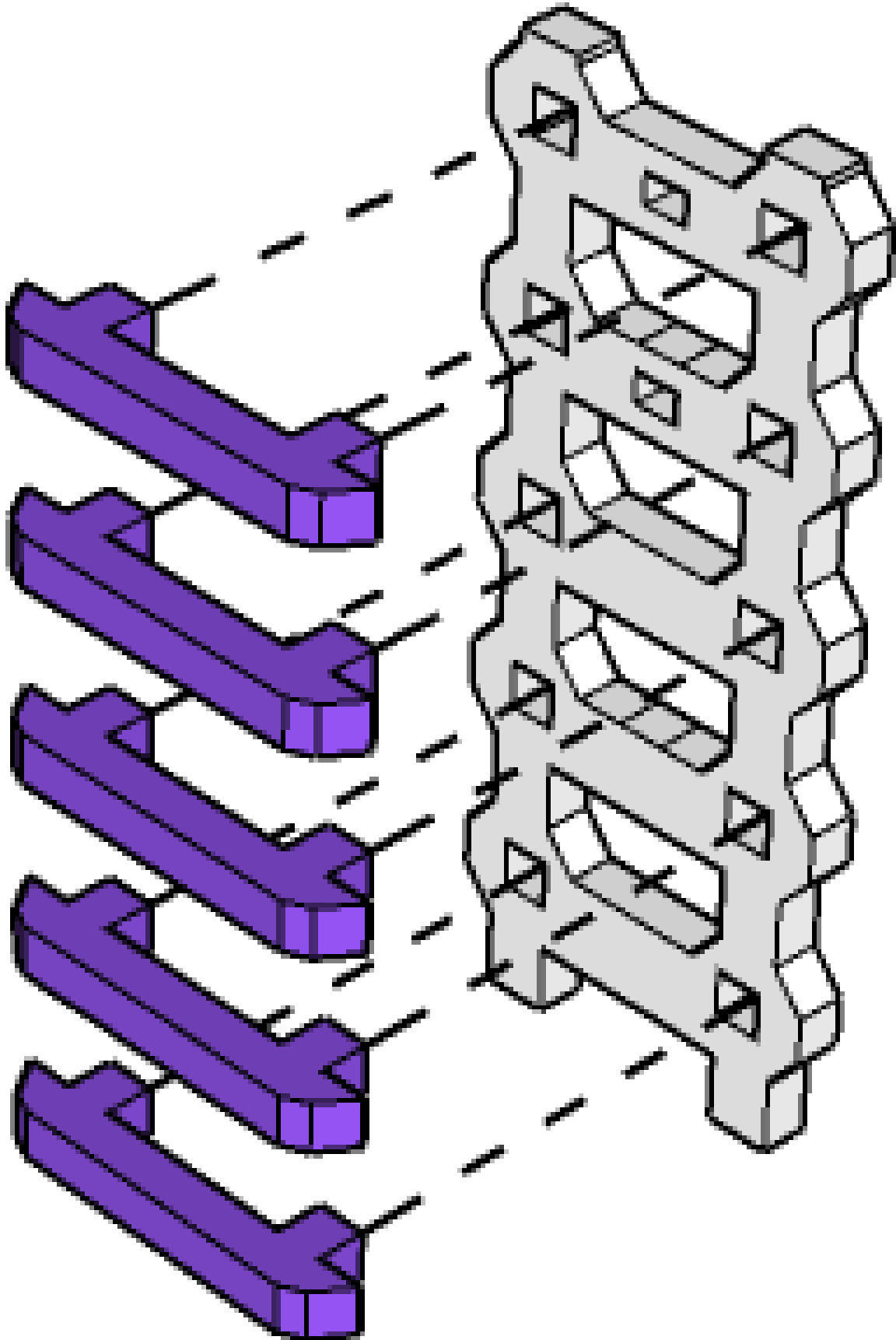


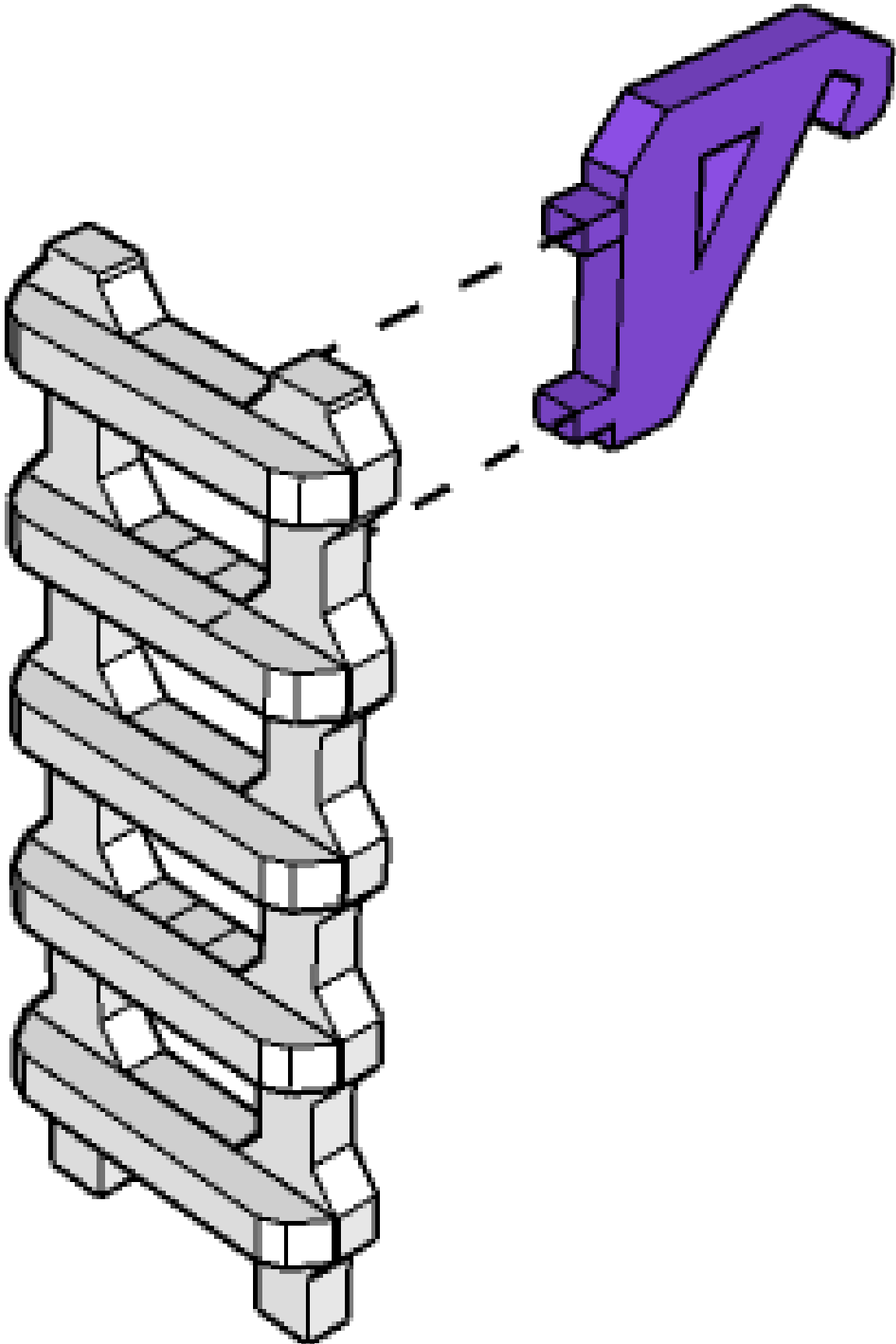
Assembly Complete!  
There may be more  
optional parts so check  
to the very end  
of the instructions



FRAGILE: DO NOT BEND.  
"Bendy wood" is designed  
to curve around  
a designed frame only.



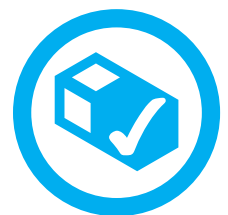
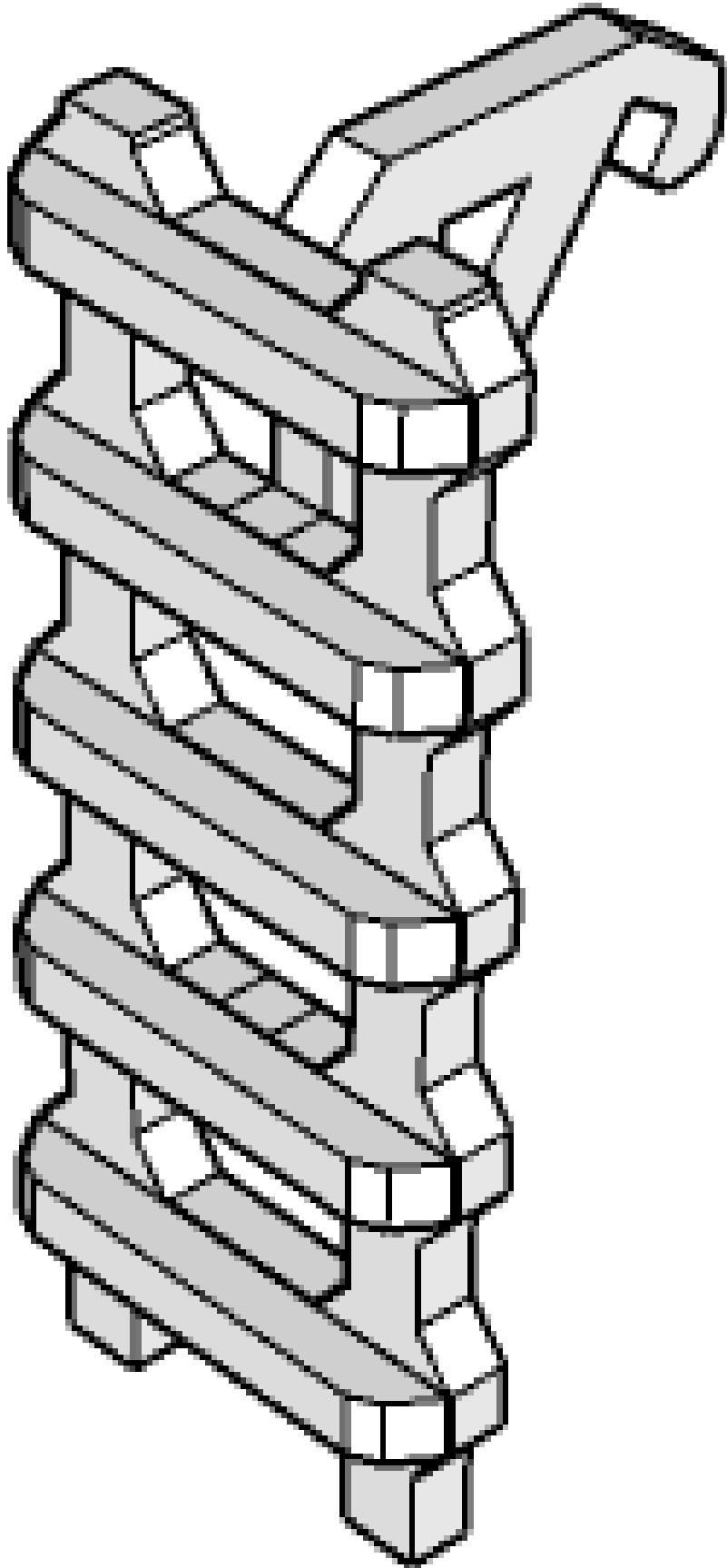


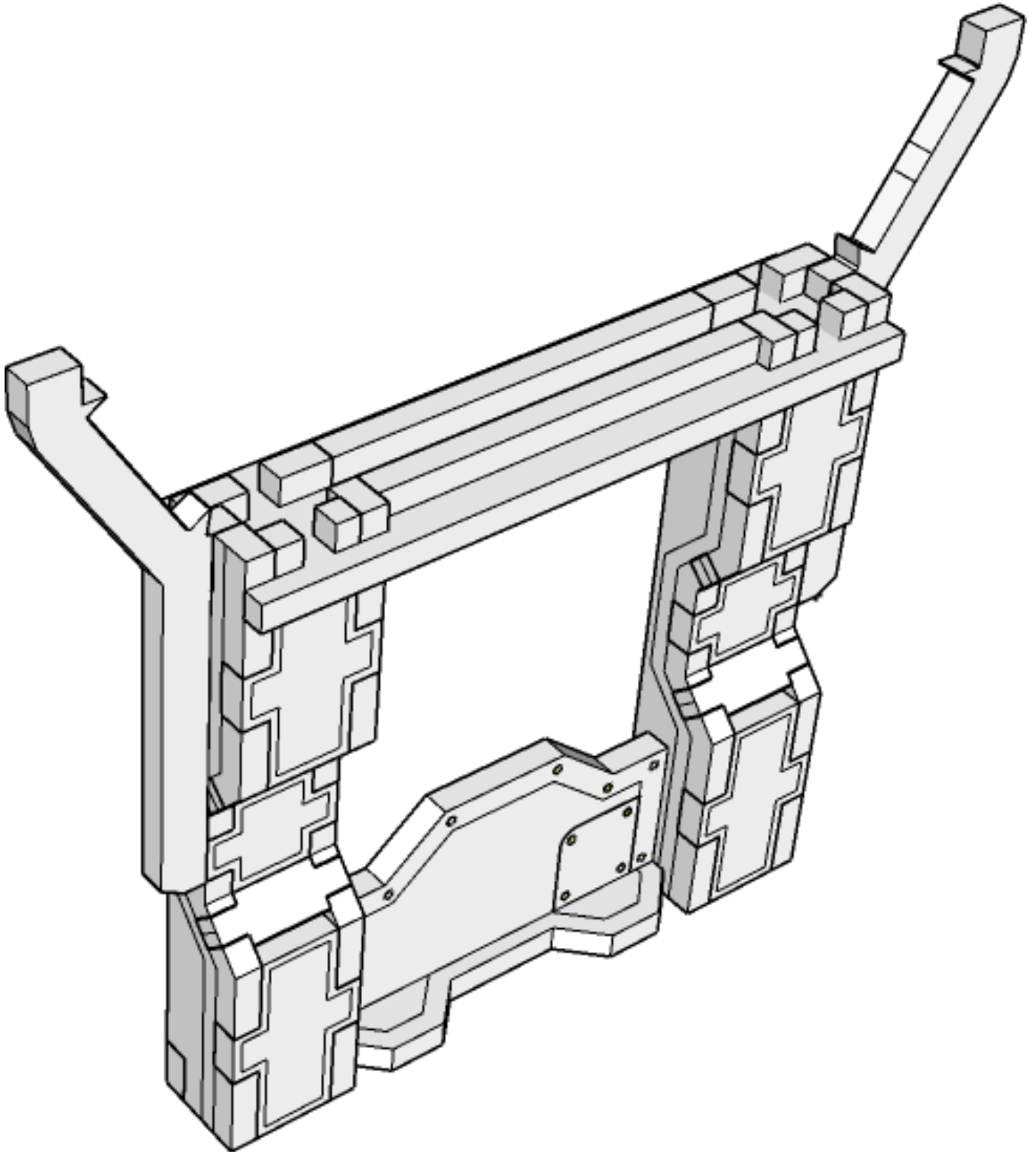




# TABLETOP SCENICS

**TTSC-SFU-107**  
**Prefab Beta**

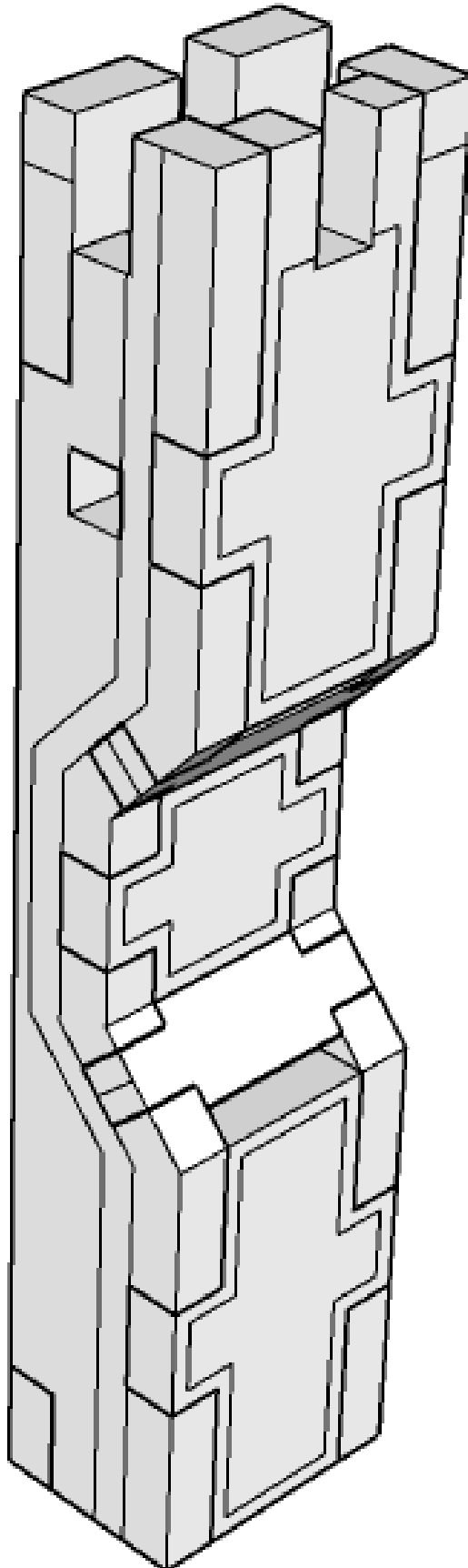




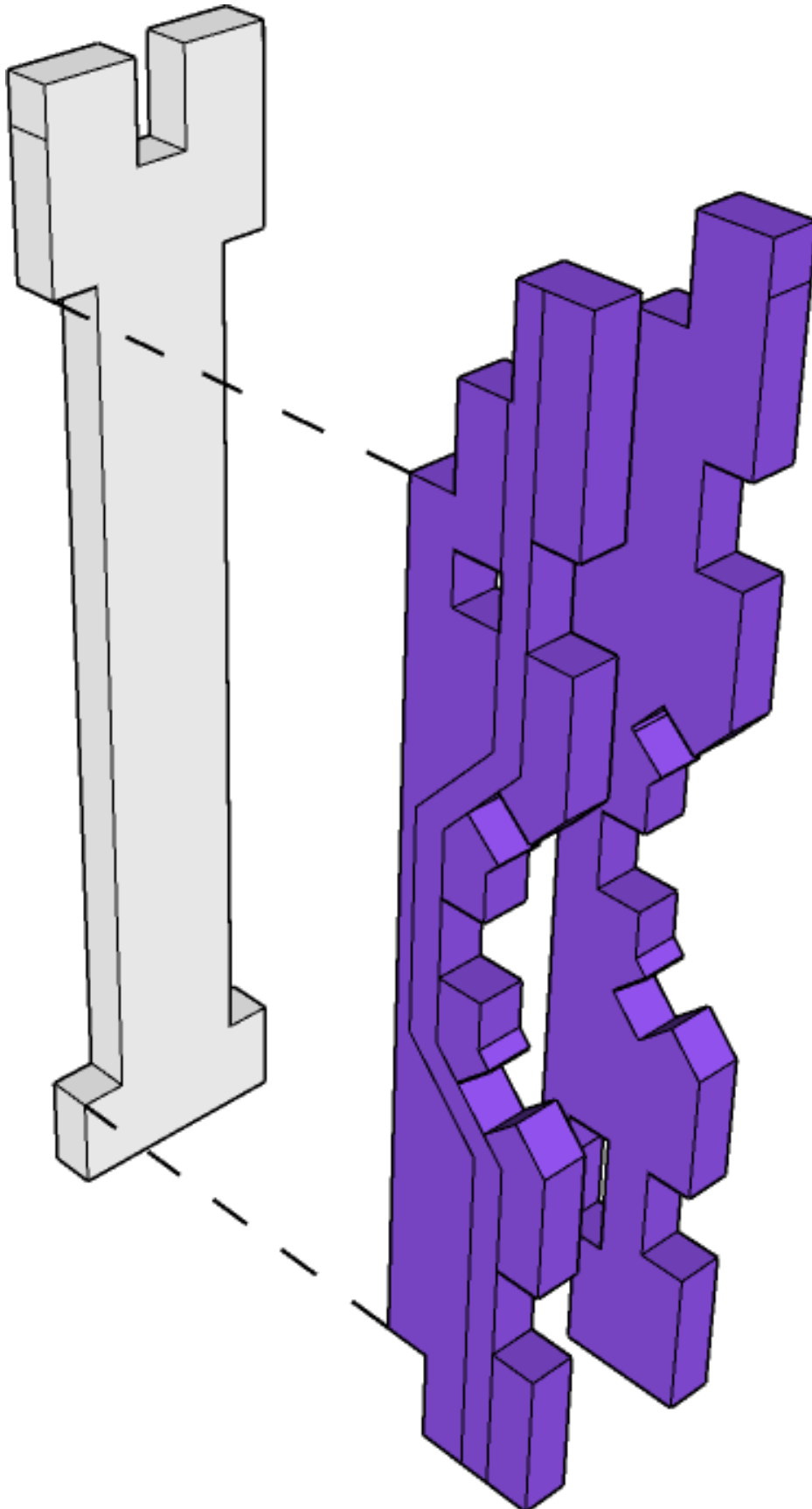


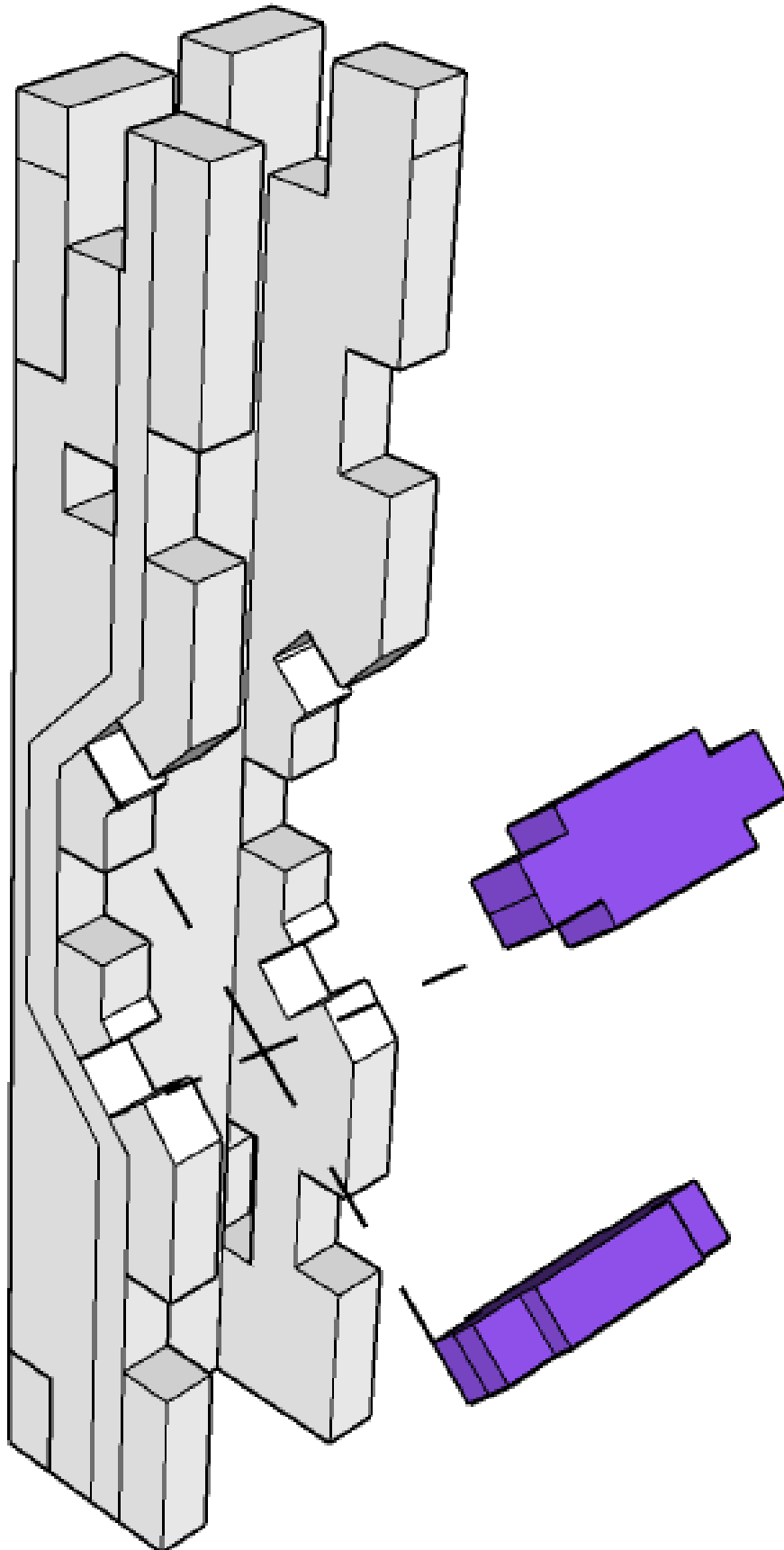
TABLETOP  
**SCENICS**

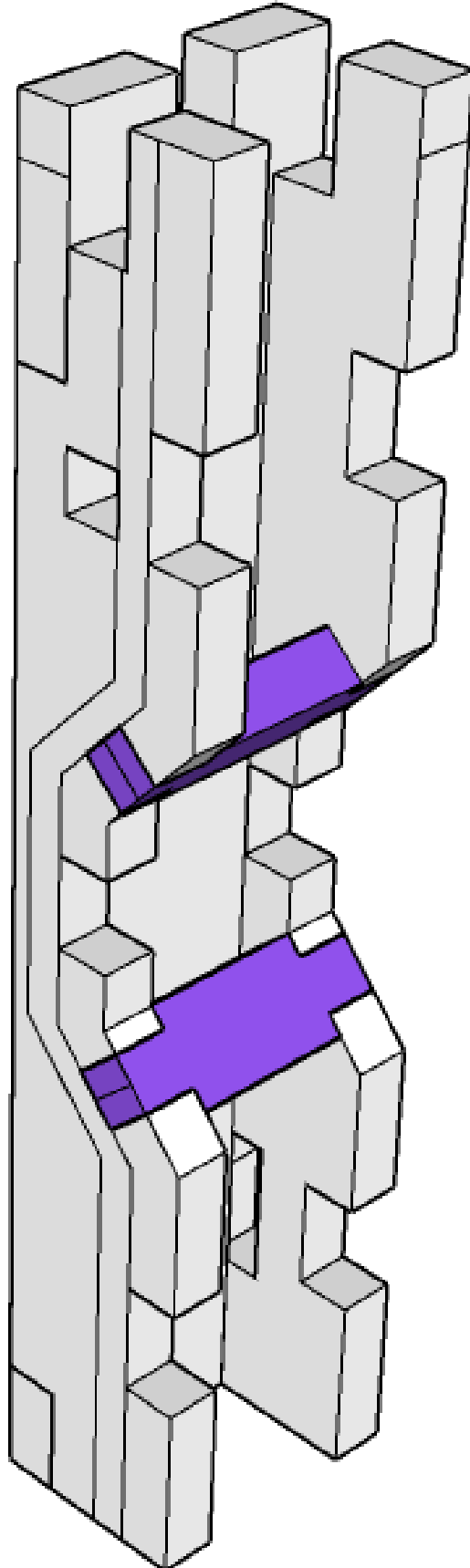
**TTSC-SFU-107**  
**Prefab Beta**

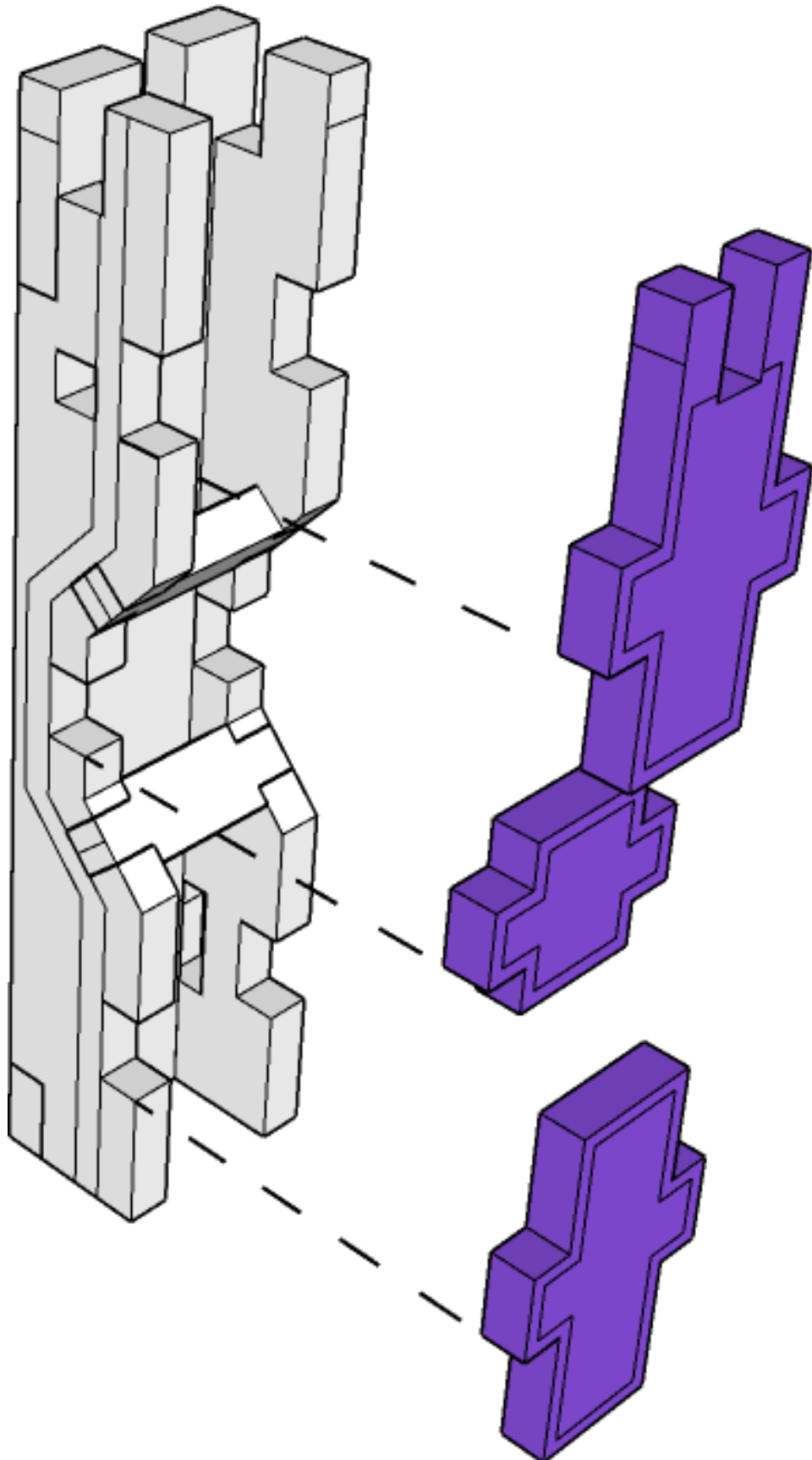








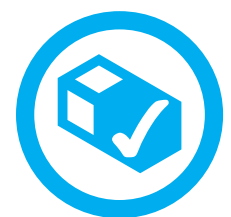
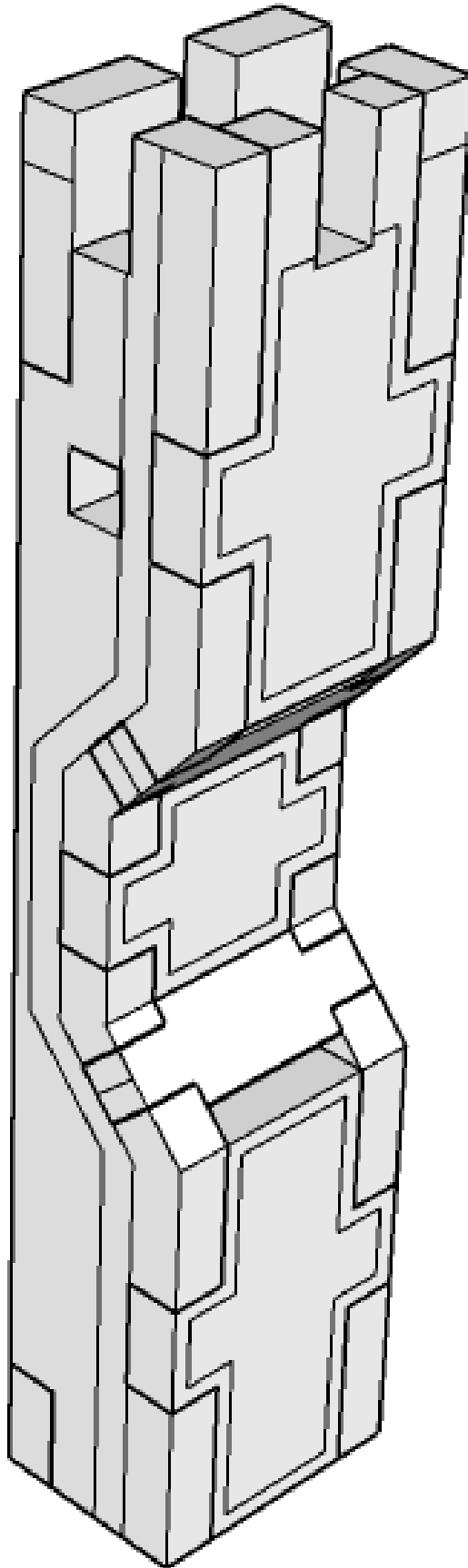


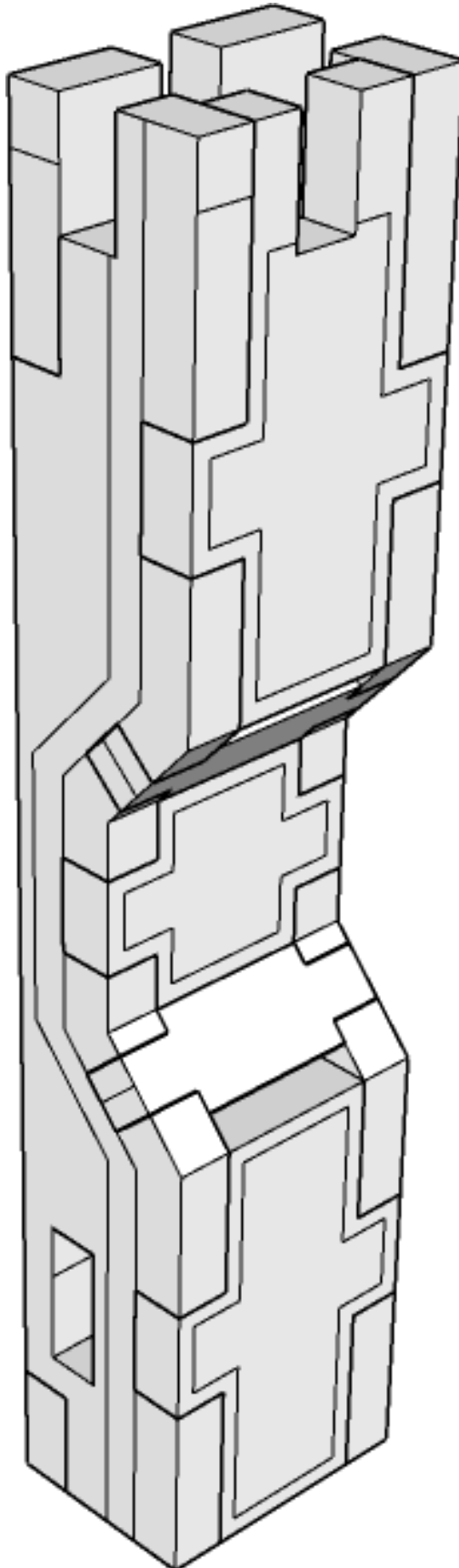


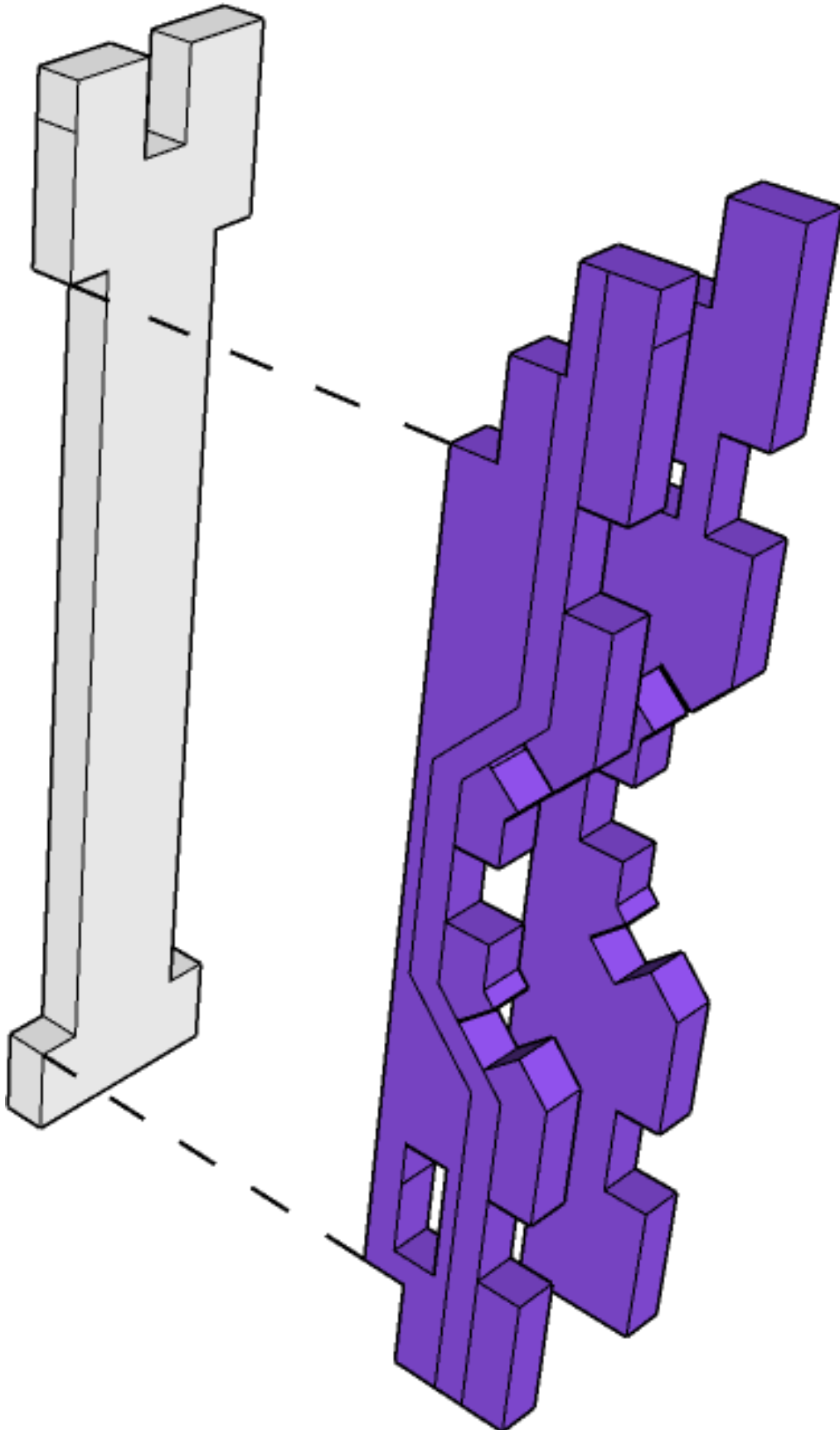


# TABLETOP SCENICS

**TTSC-SFU-107**  
**Prefab Beta**



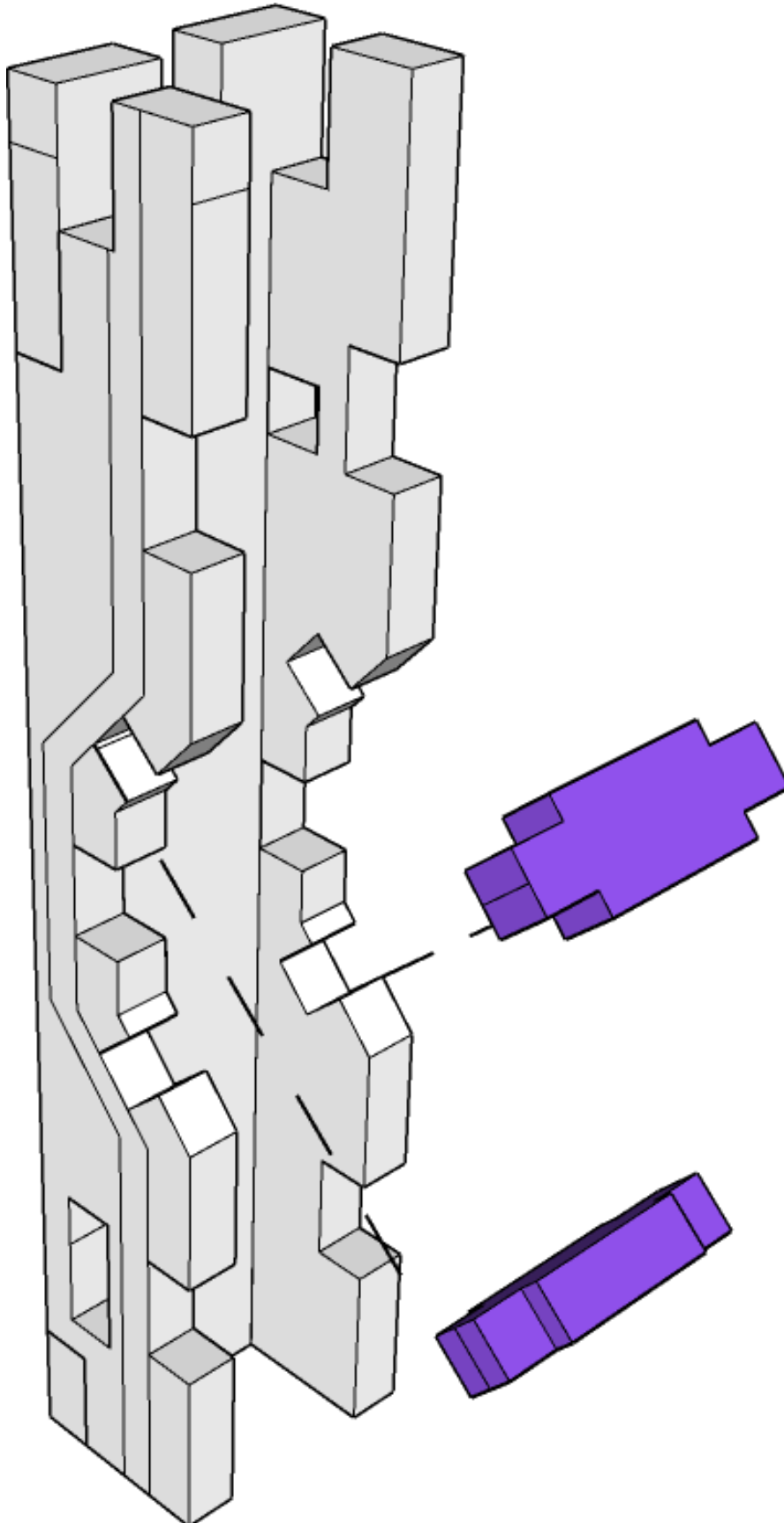




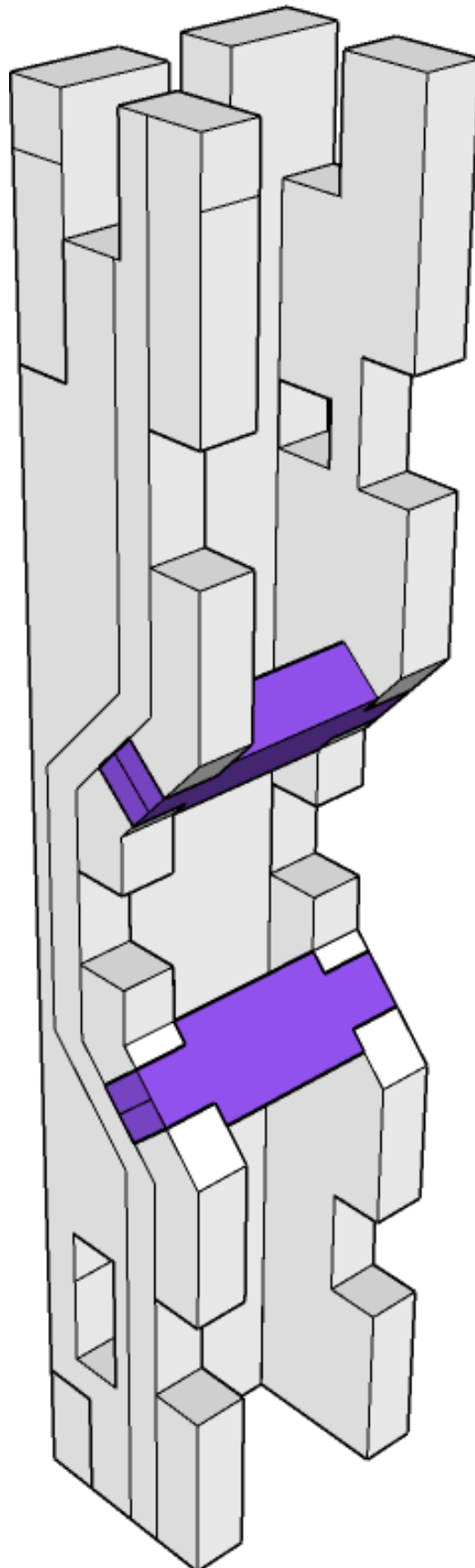


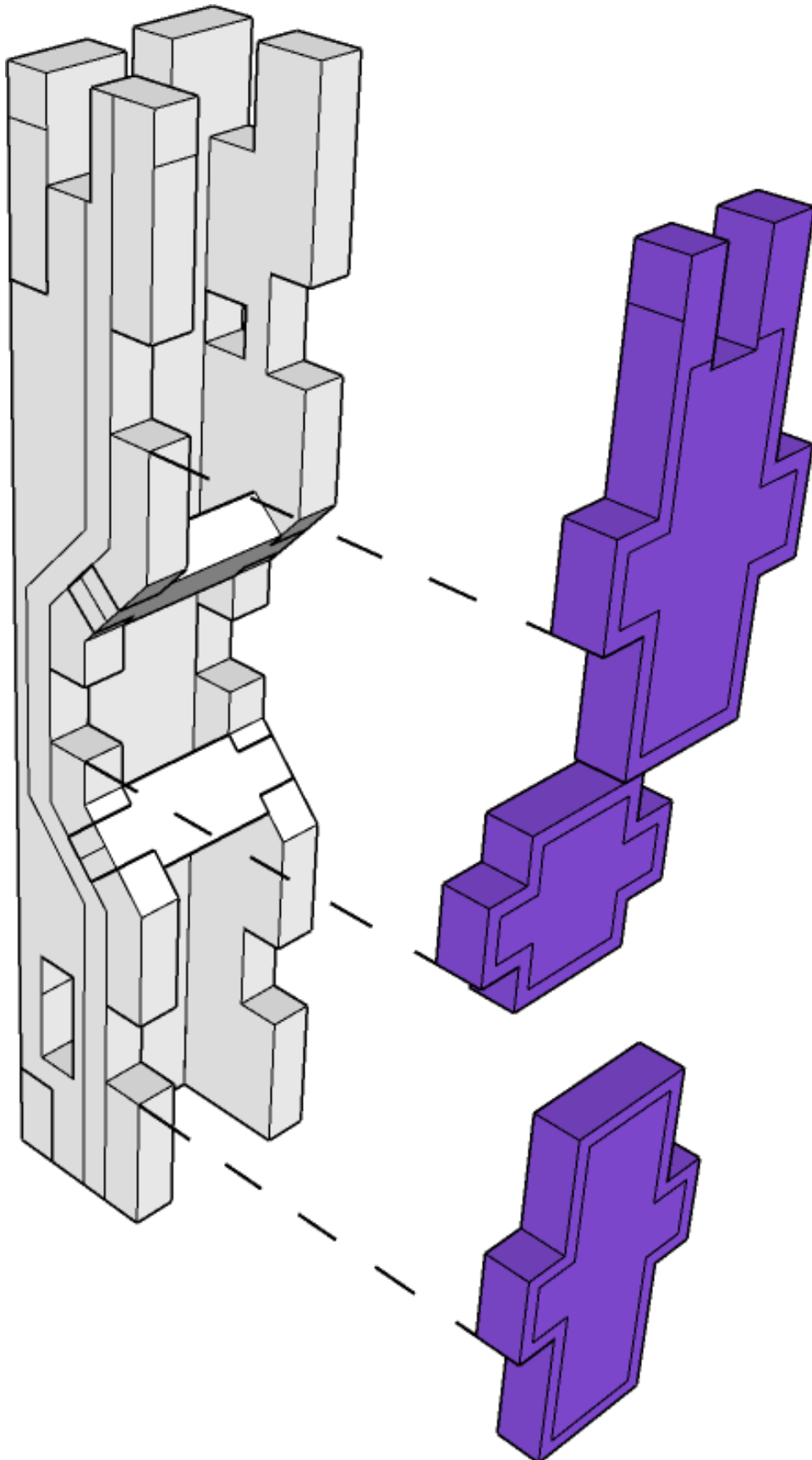
# TABLETOP SCENICS

**TTSC-SFU-107**  
**Prefab Beta**





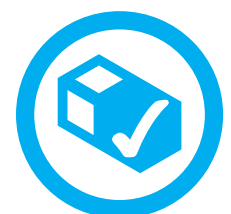
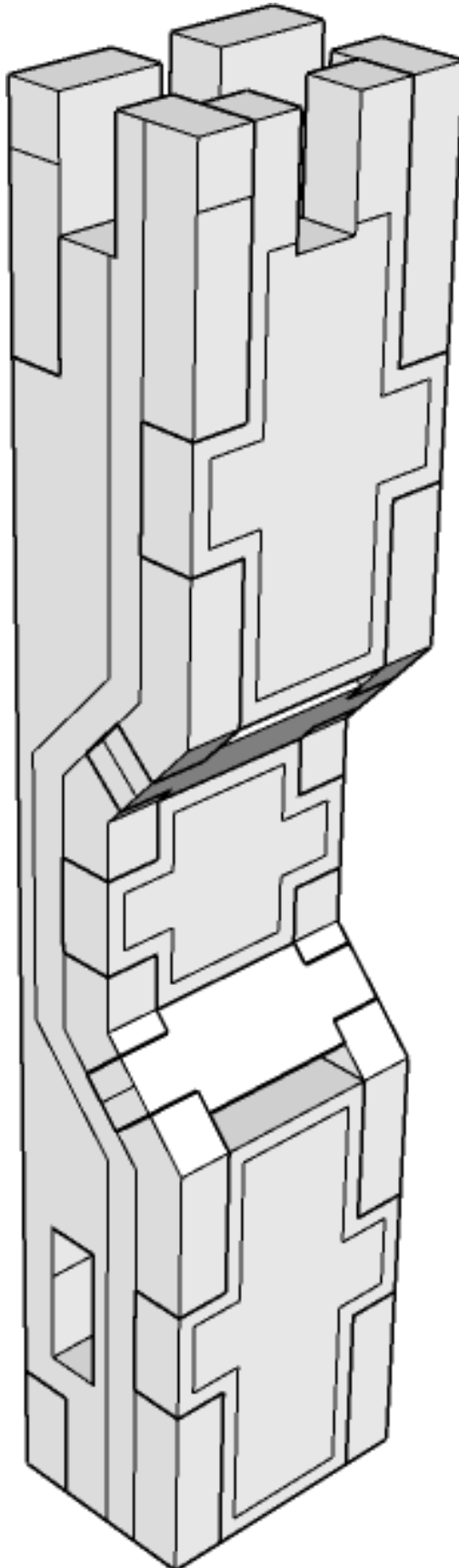


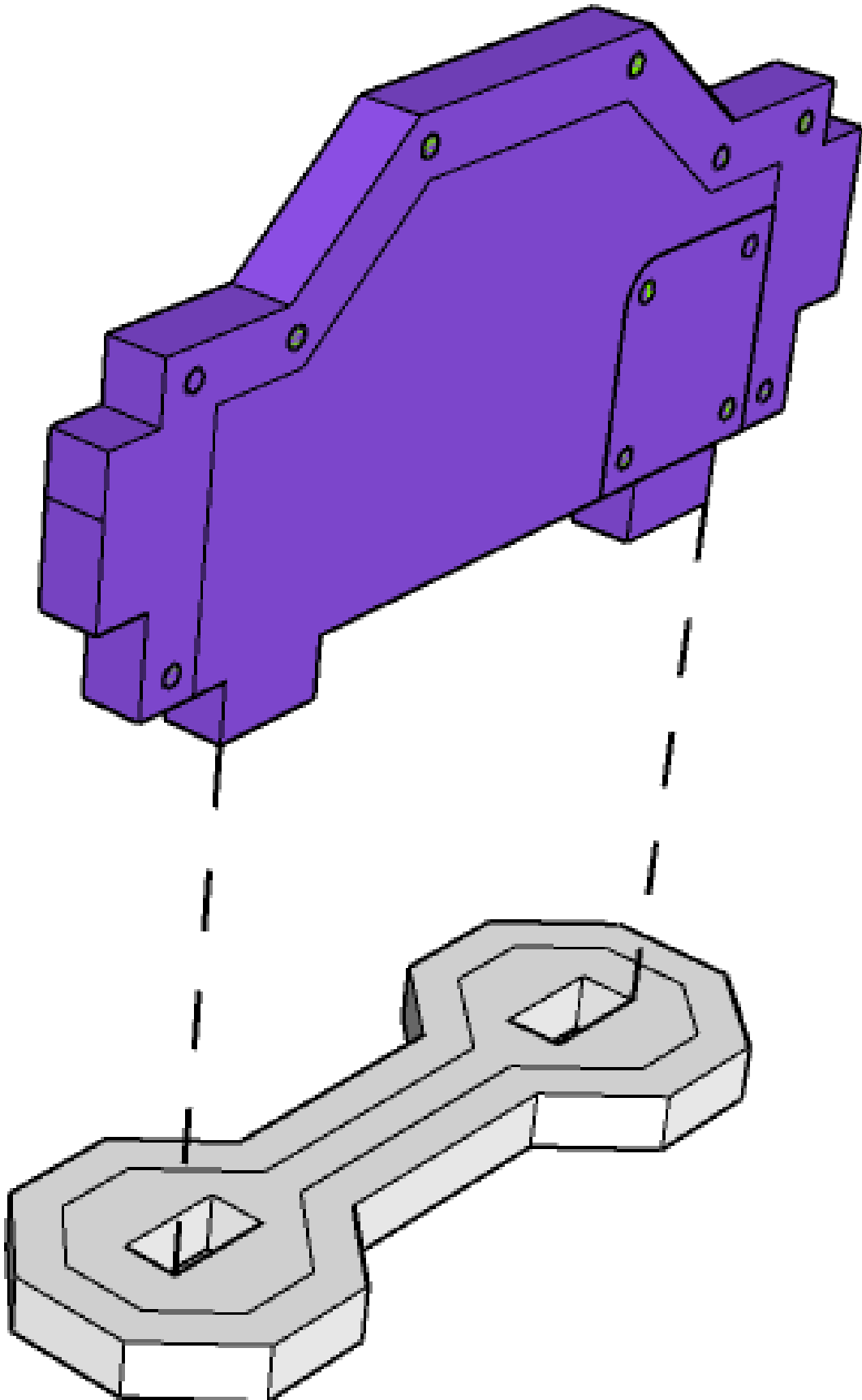


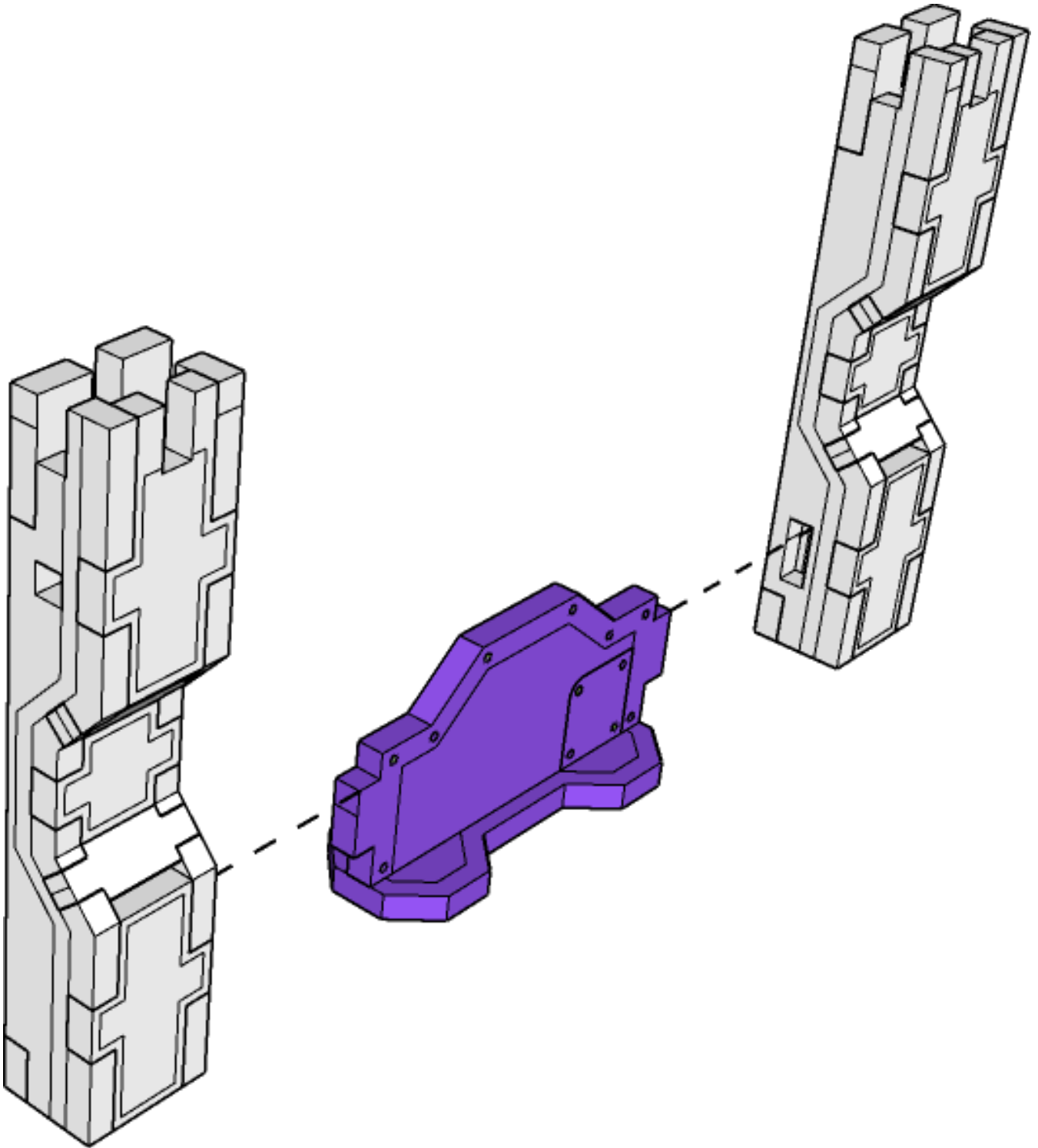


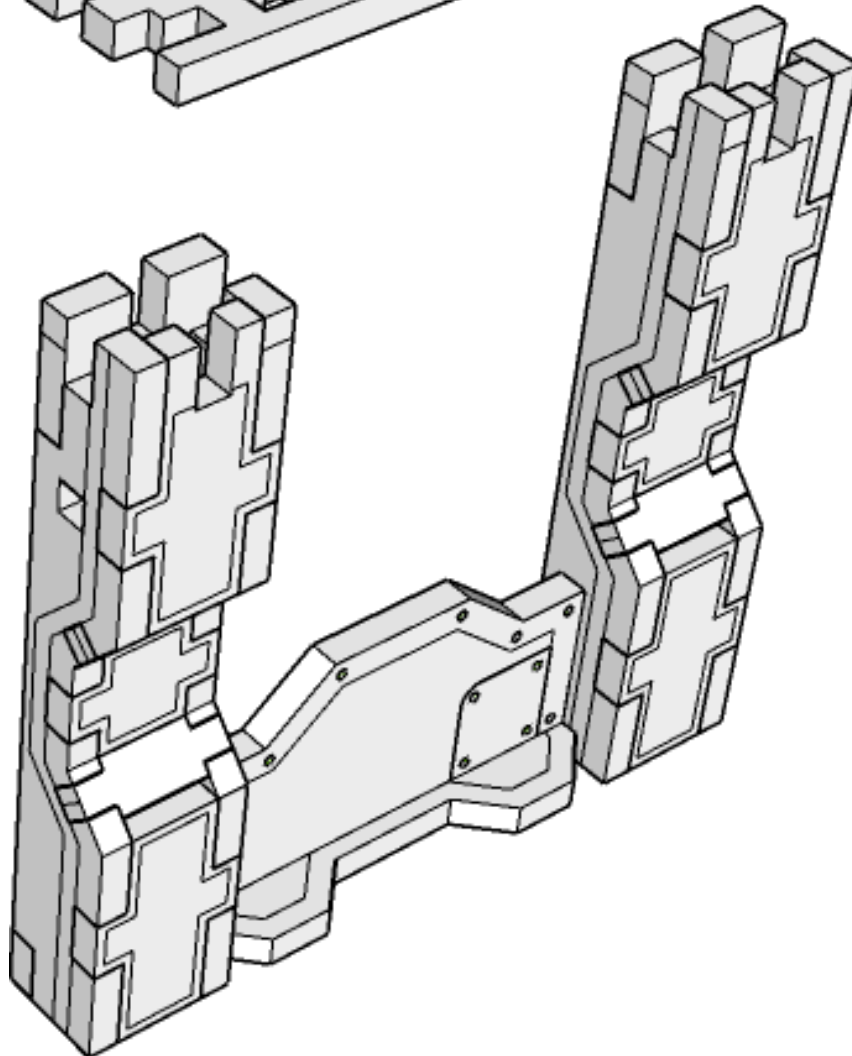
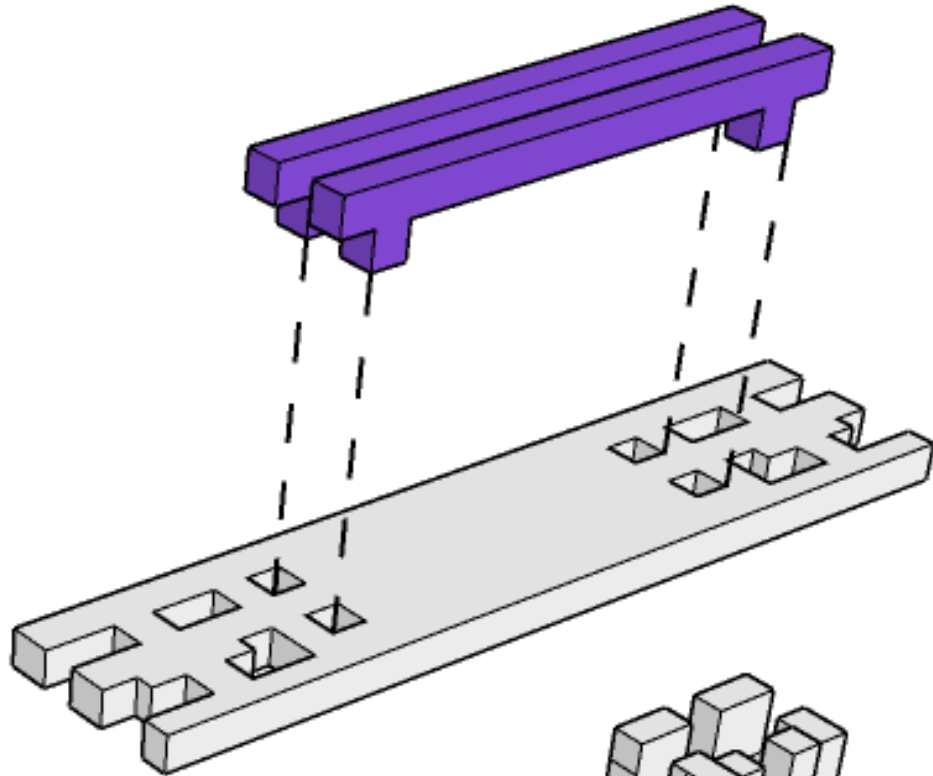
TABLETOP  
**SCENICS**

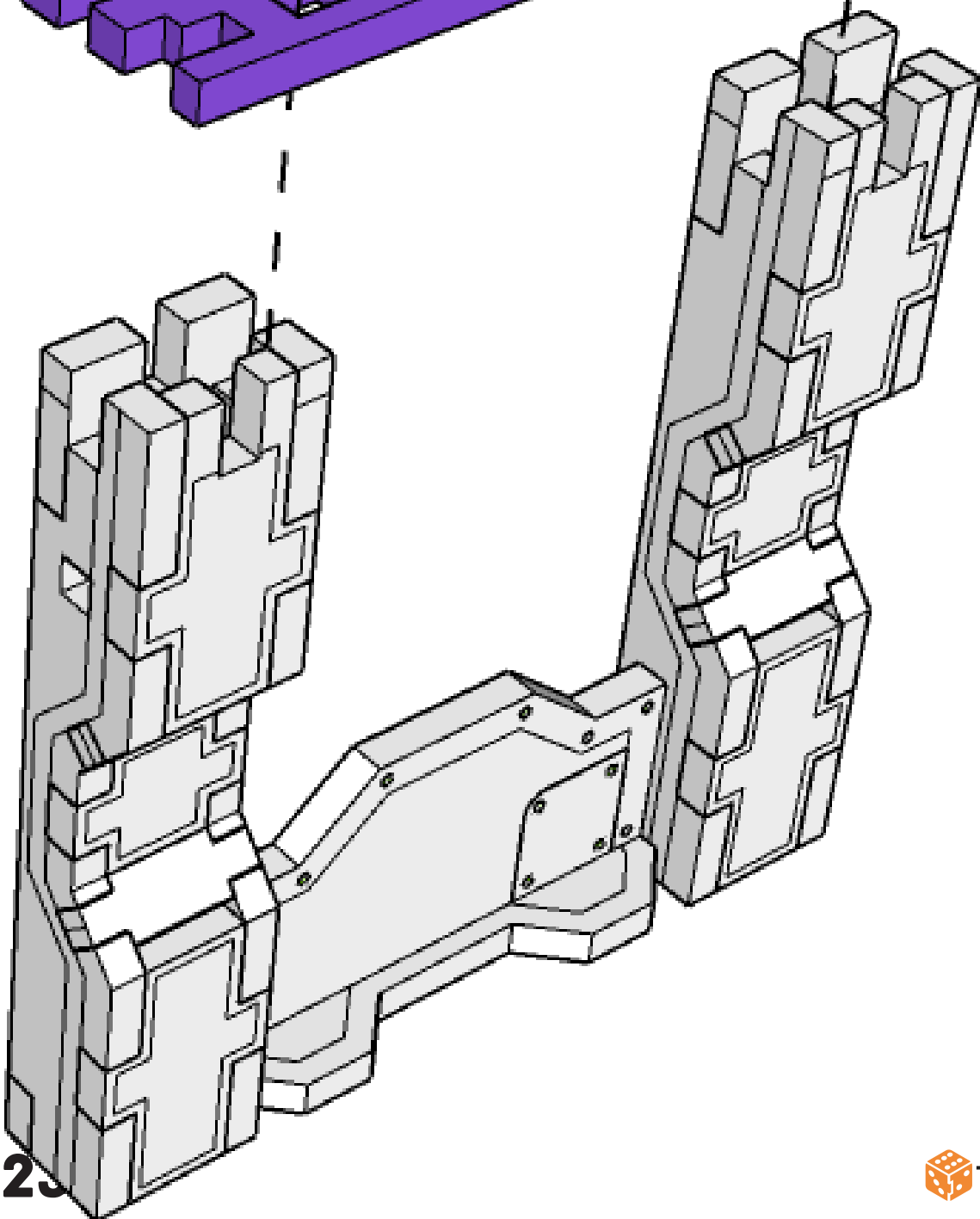
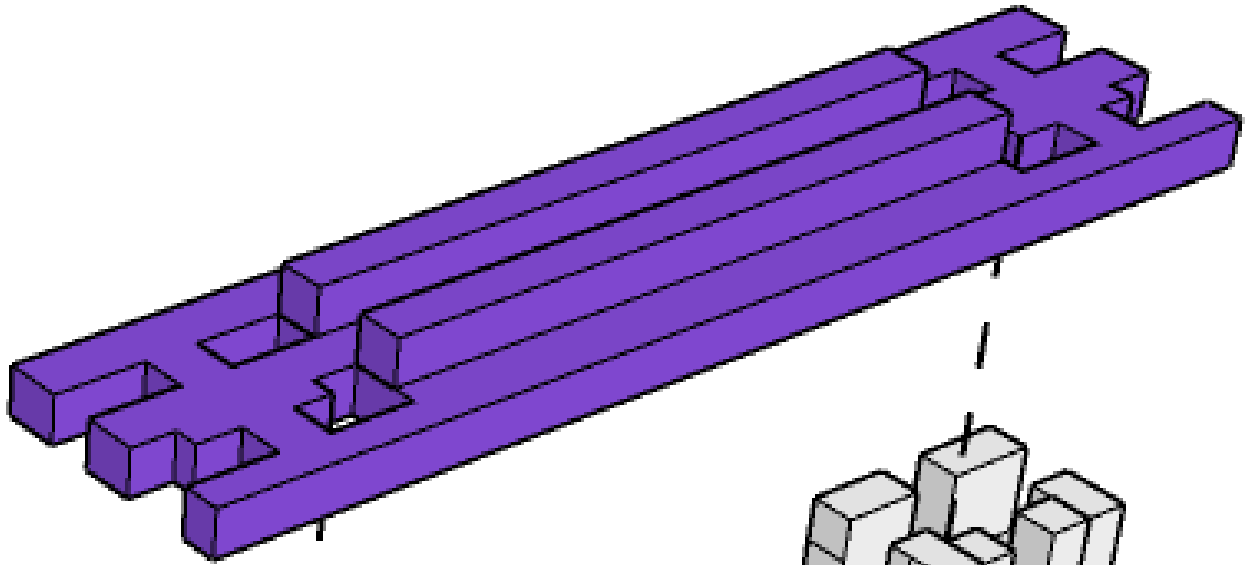
**TTSC-SFU-107**  
**Prefab Beta**

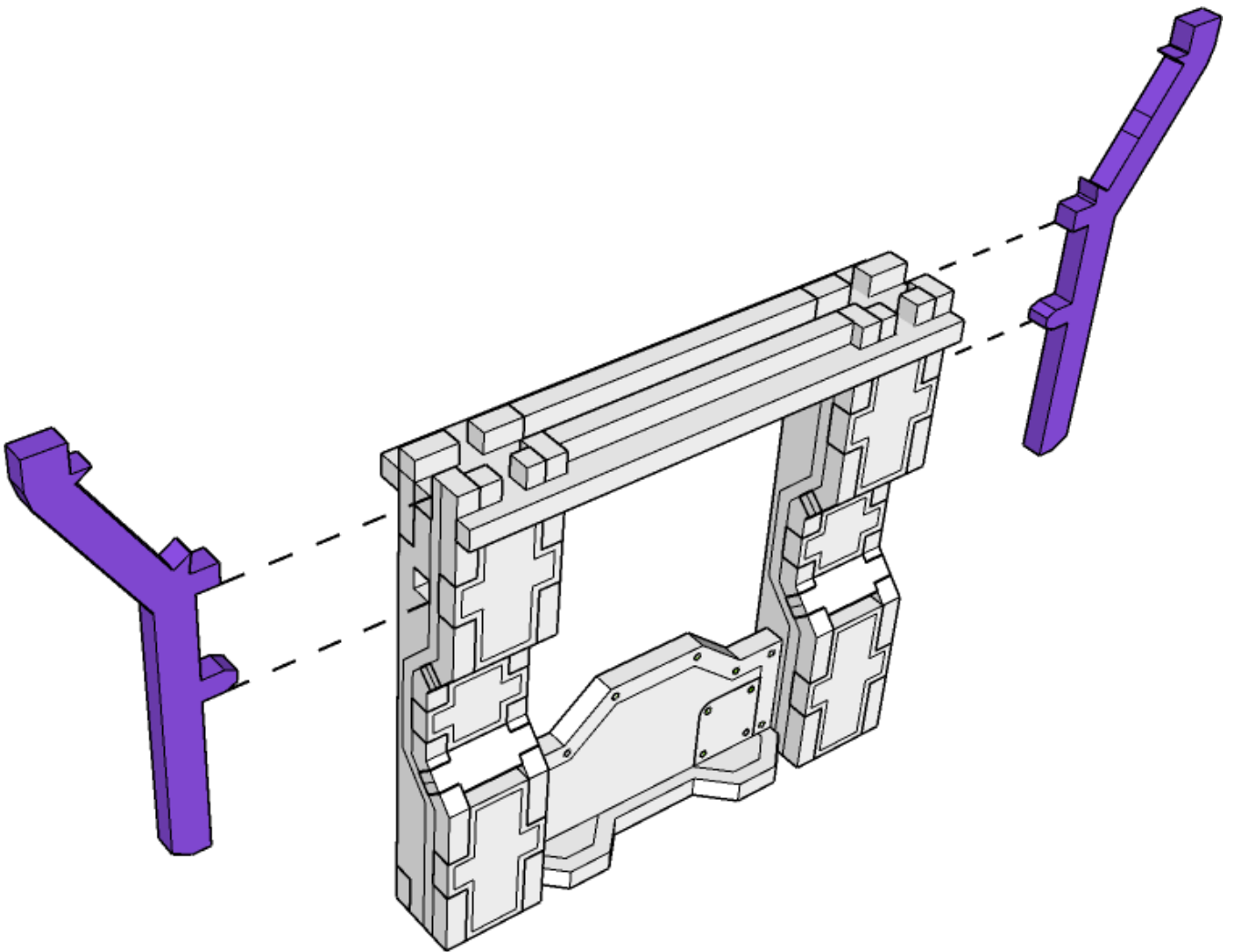




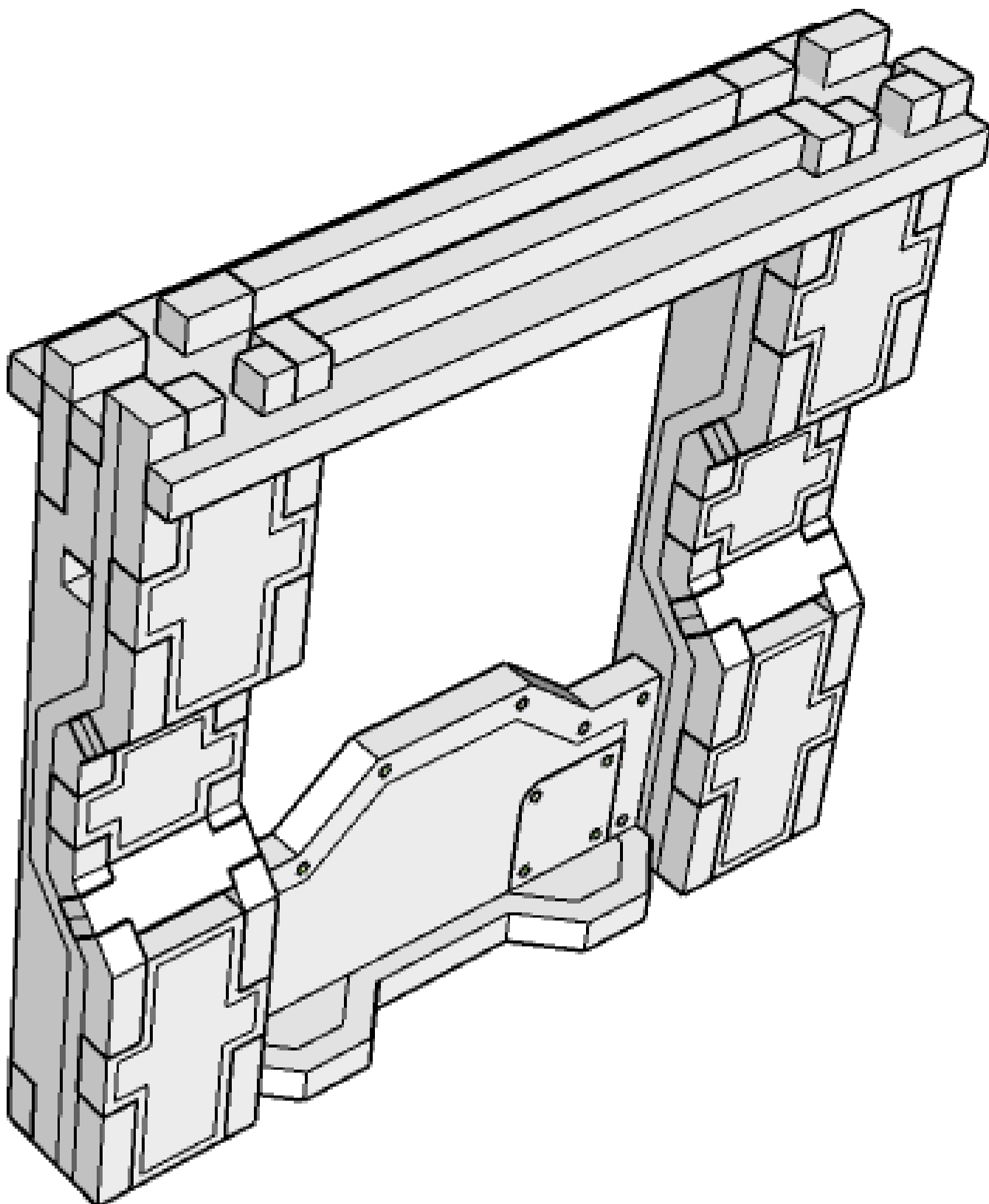


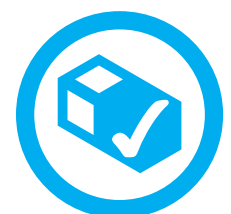
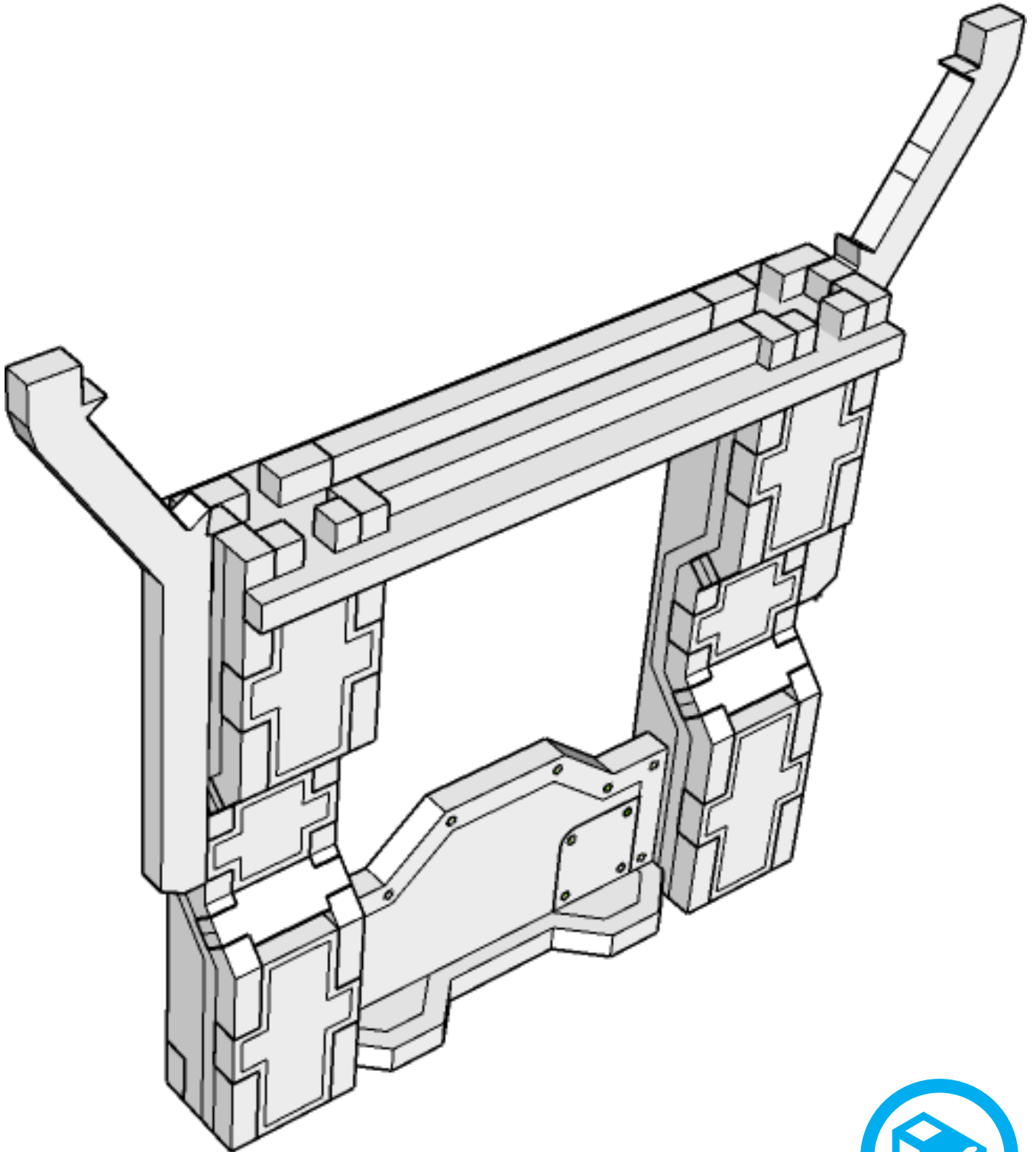








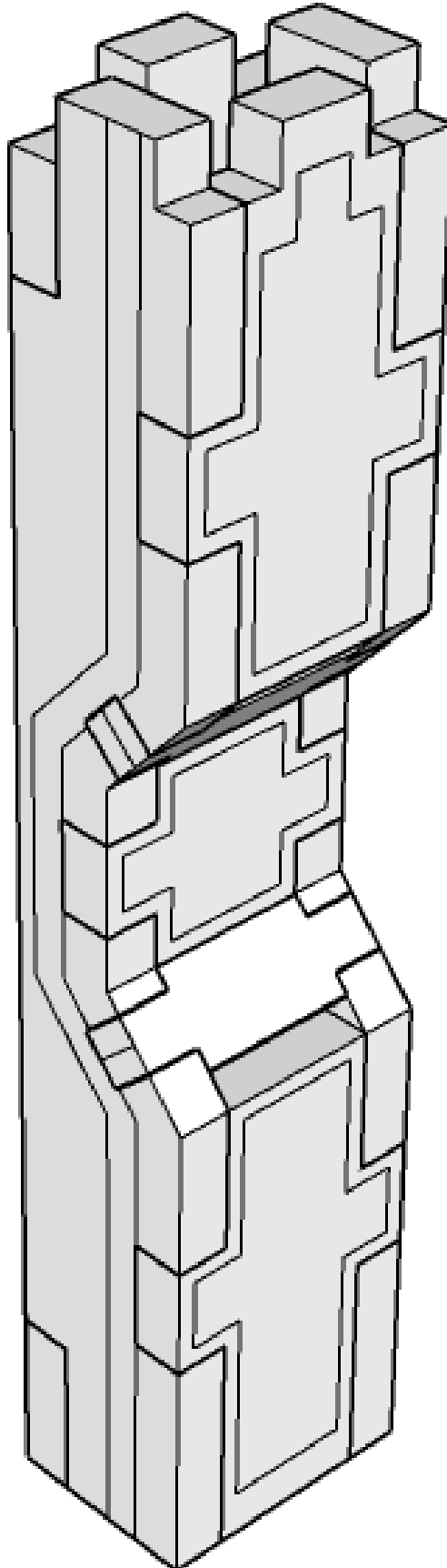






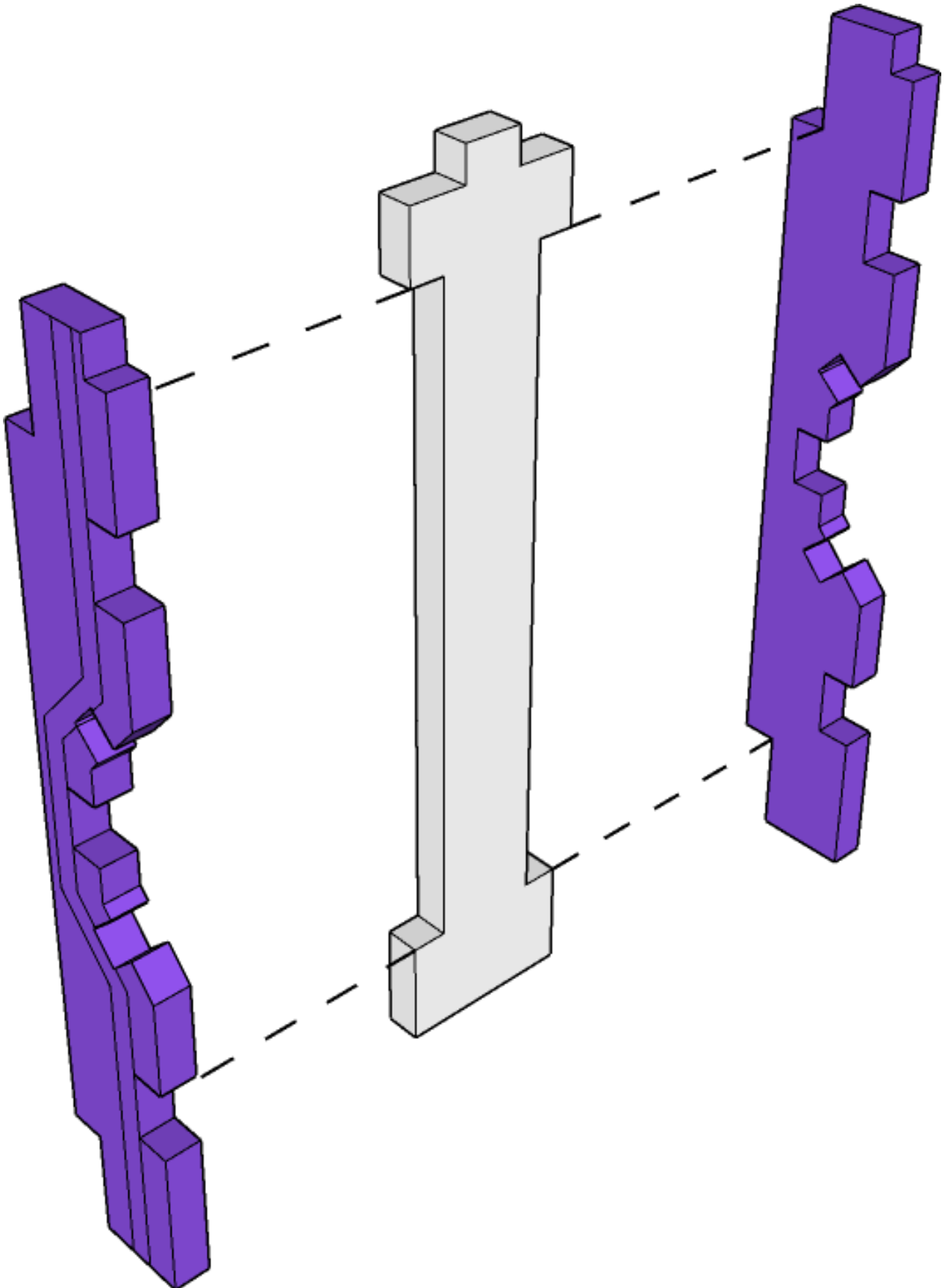
TABLETOP  
**SCENICS**

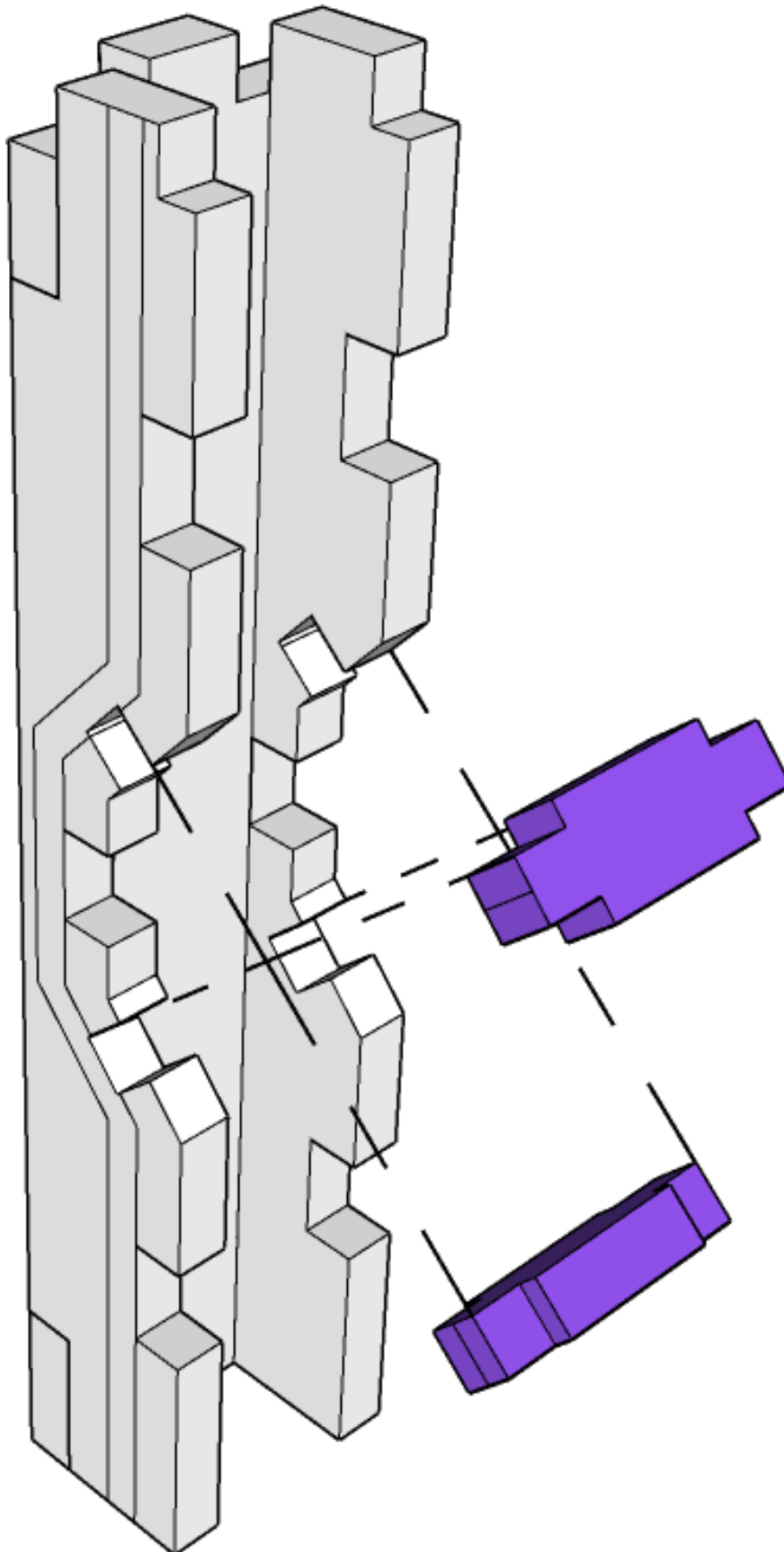
**TTSC-SFU-107**  
**Prefab Beta**

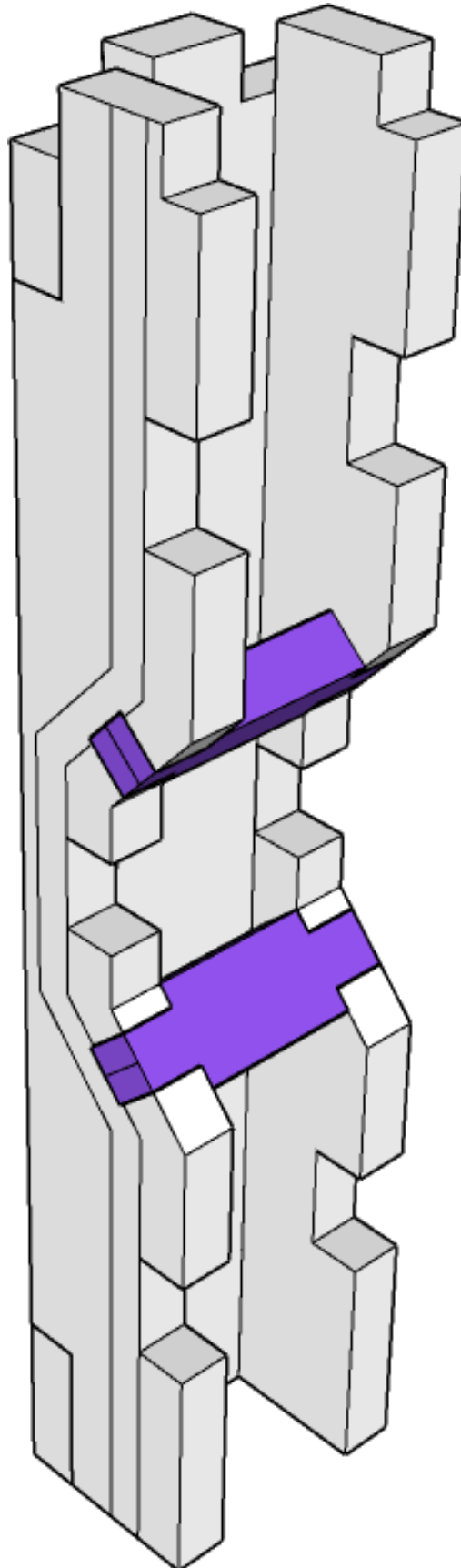


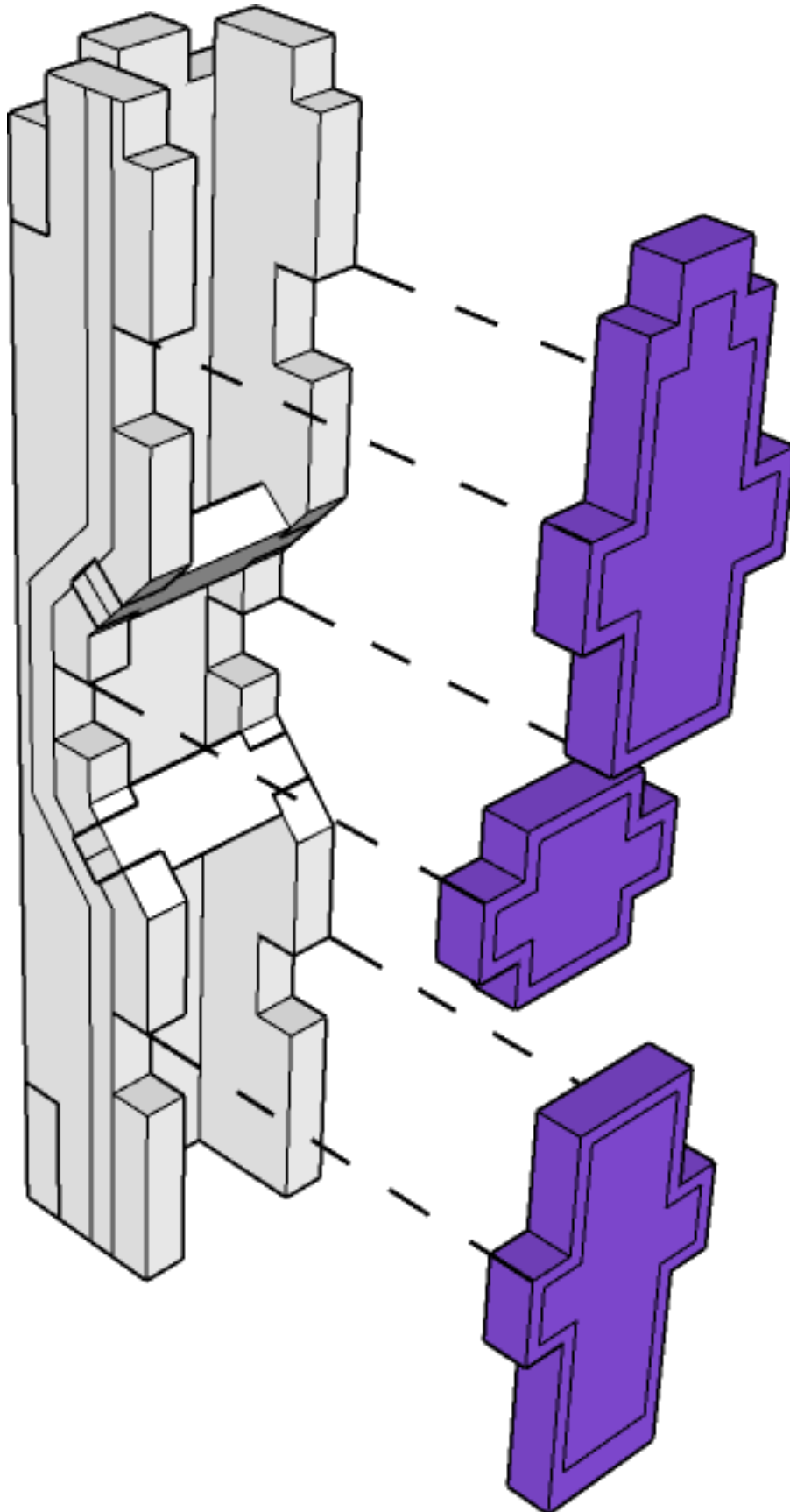
**27**







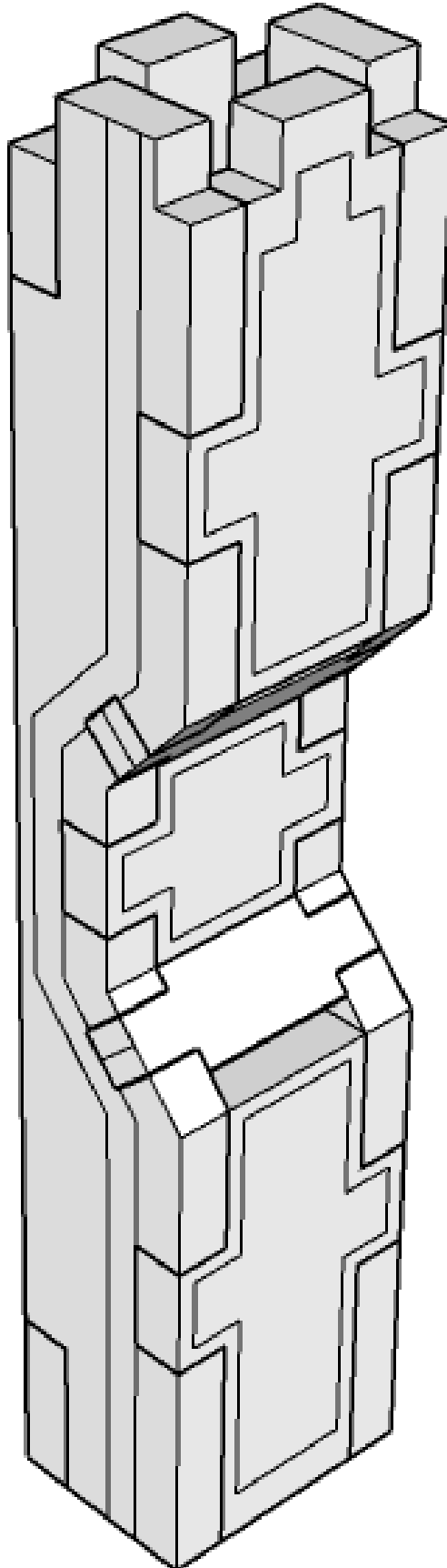




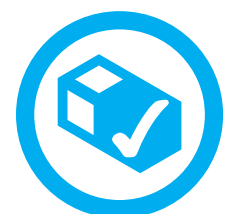


TABLETOP  
**SCENICS**

**TTSC-SFU-107**  
**Prefab Beta**

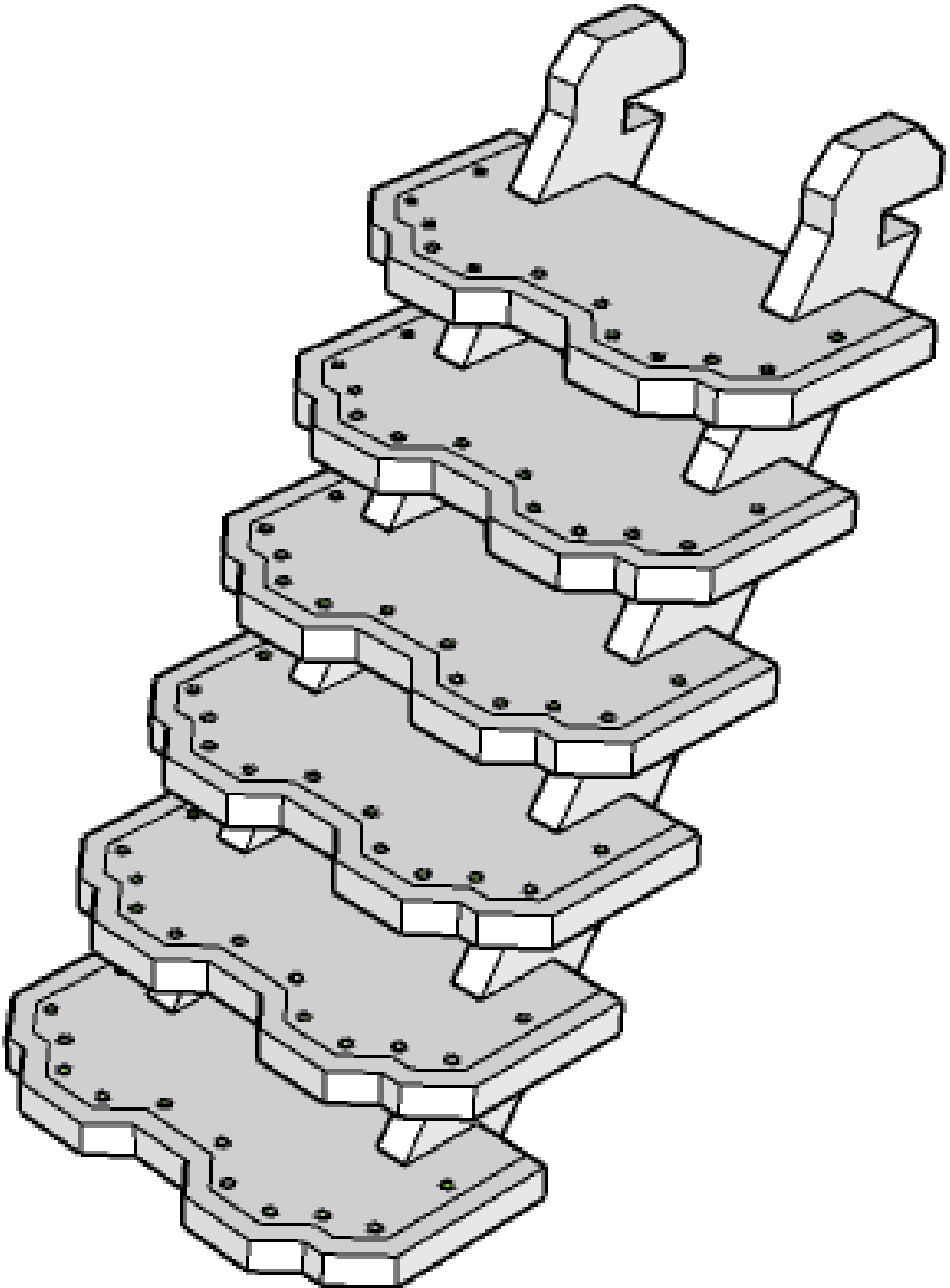


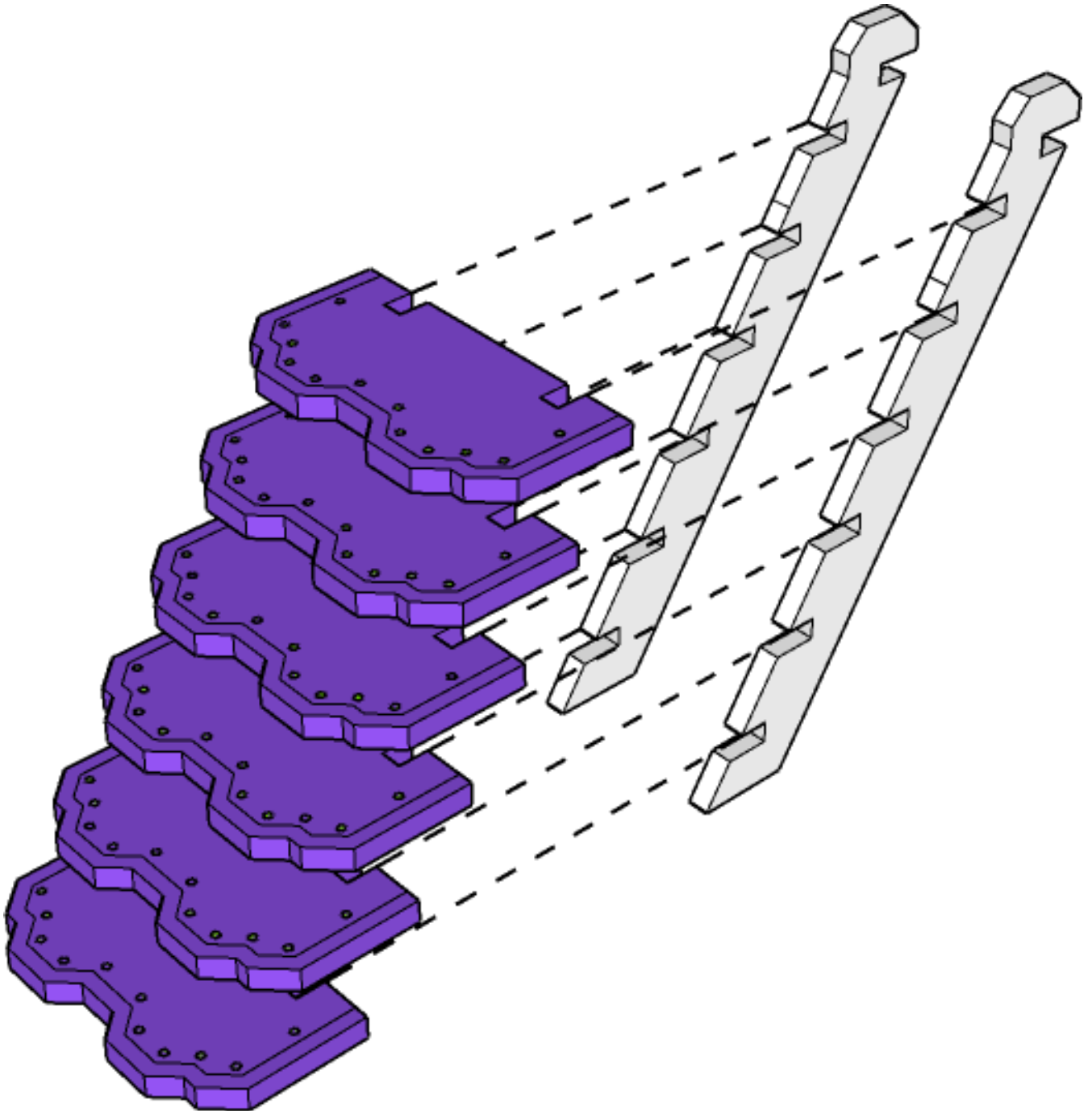
**32**

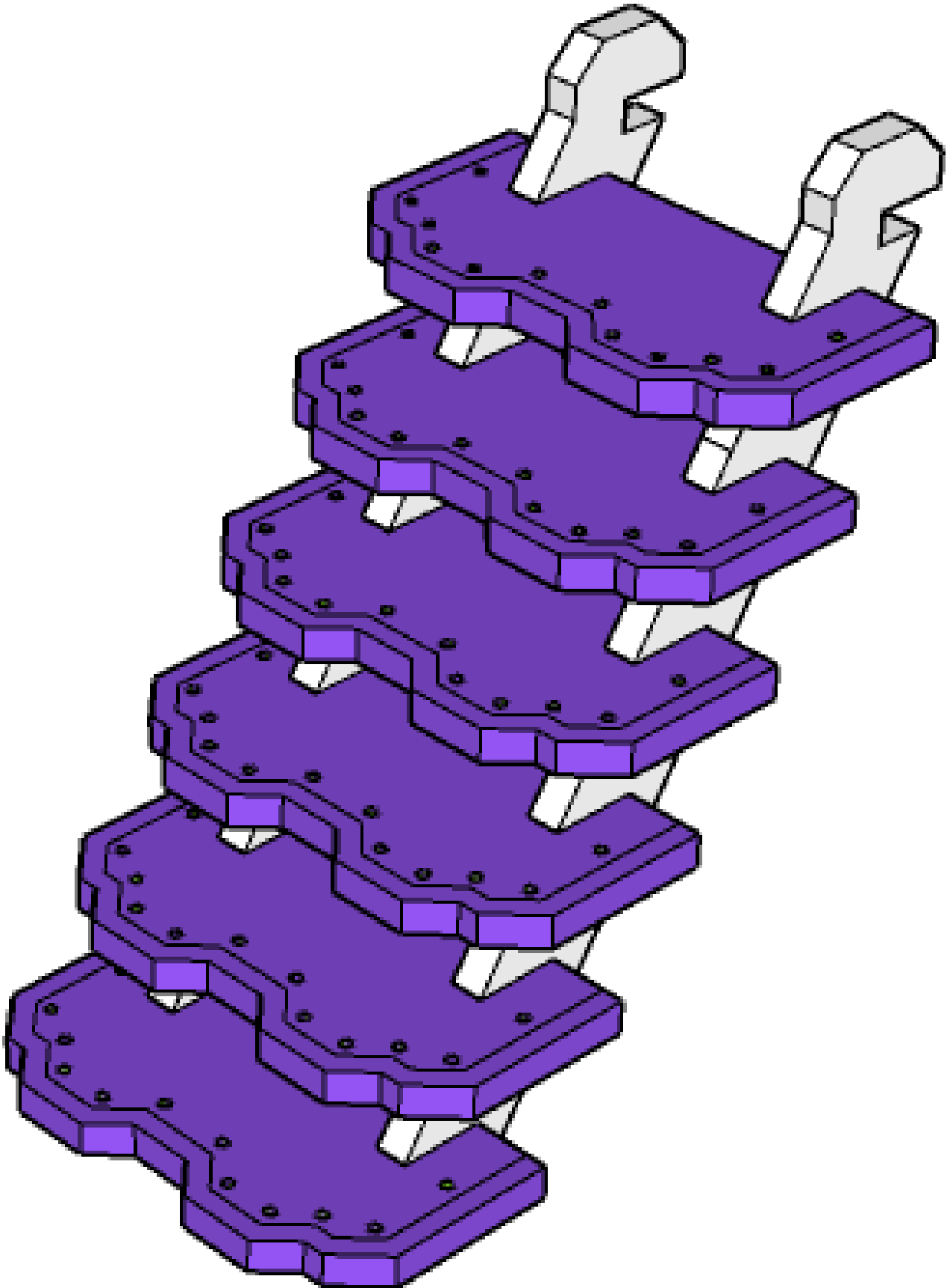


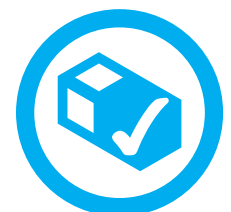
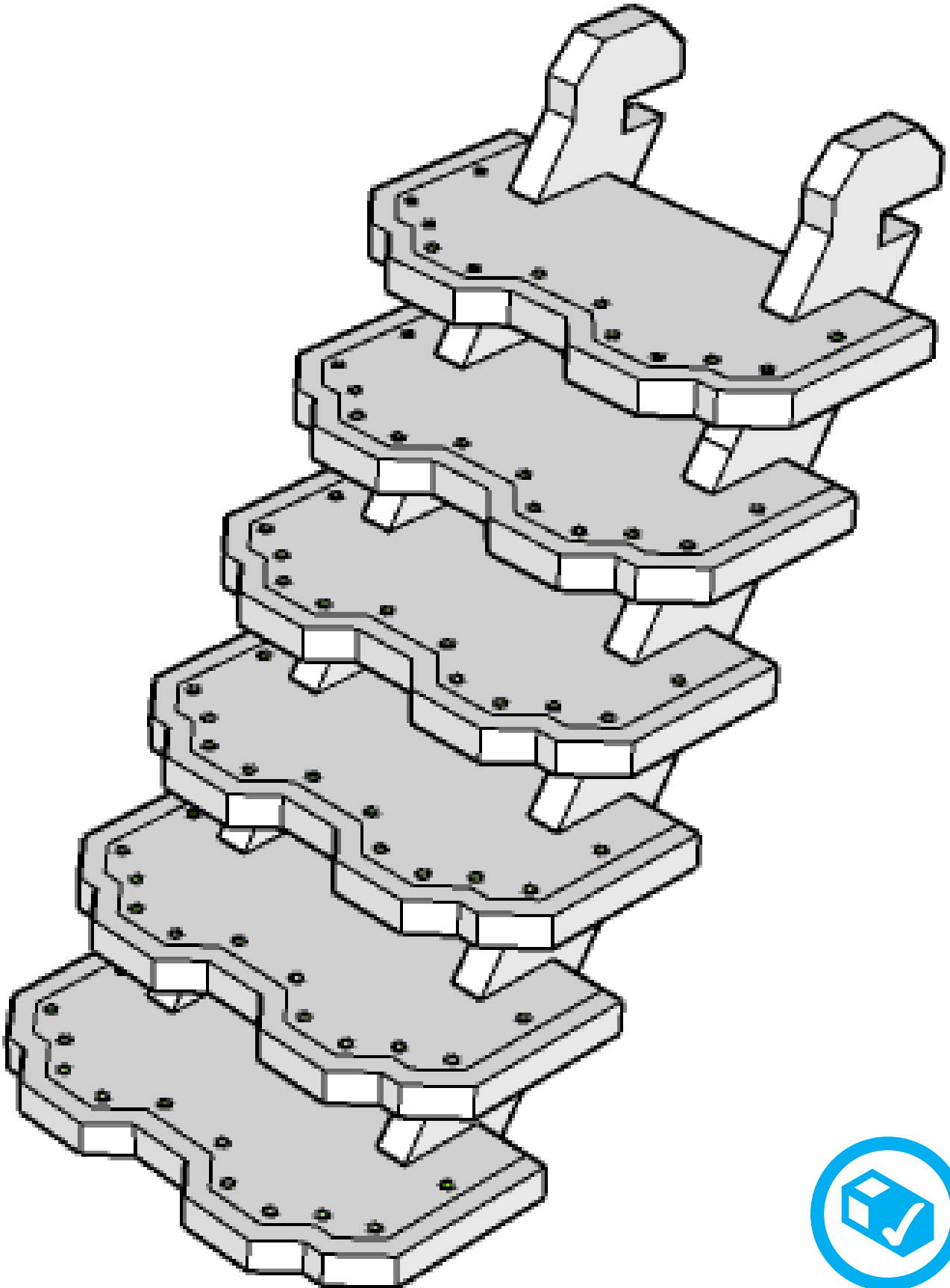
 **TTCOMBAT**







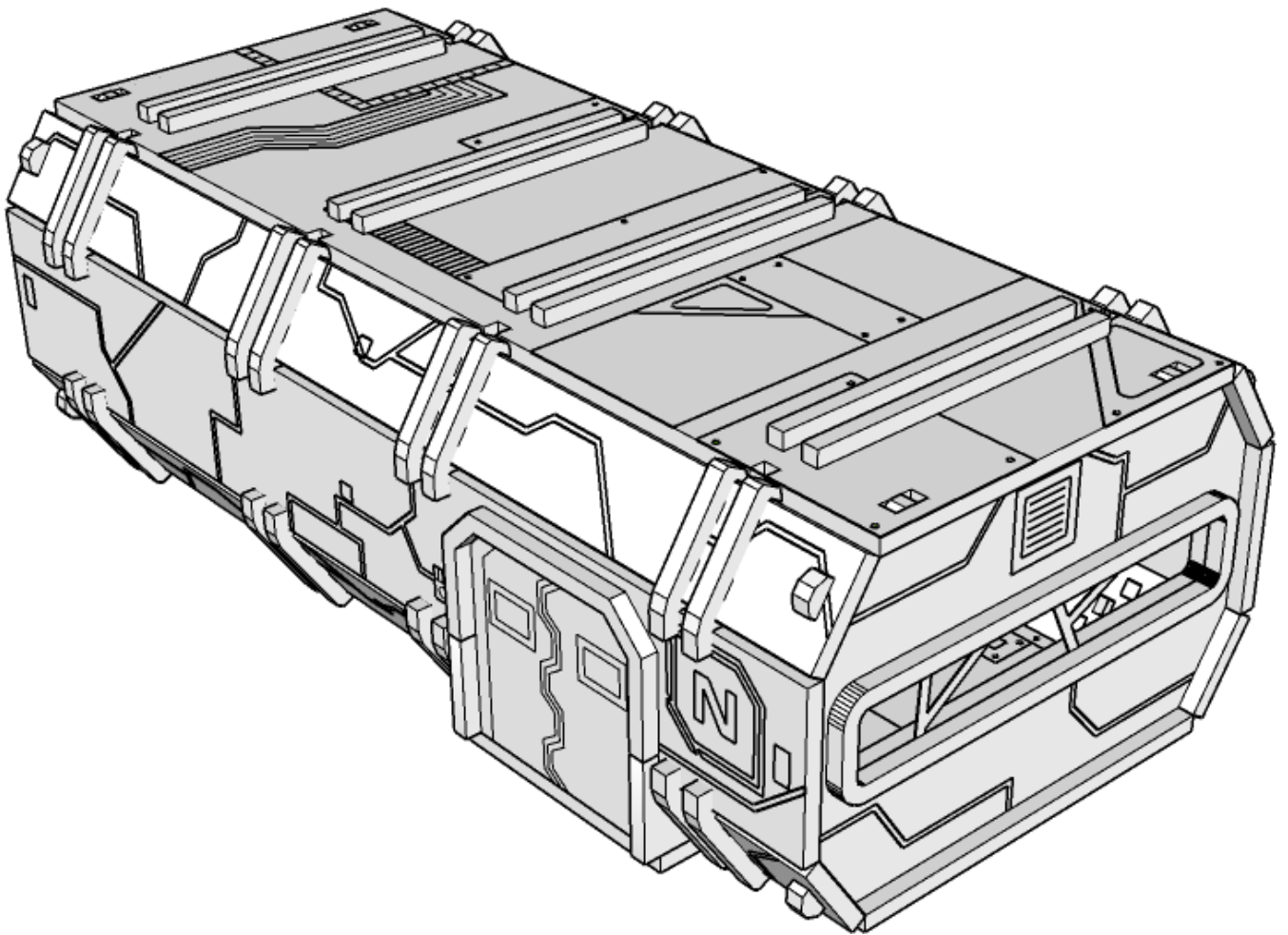


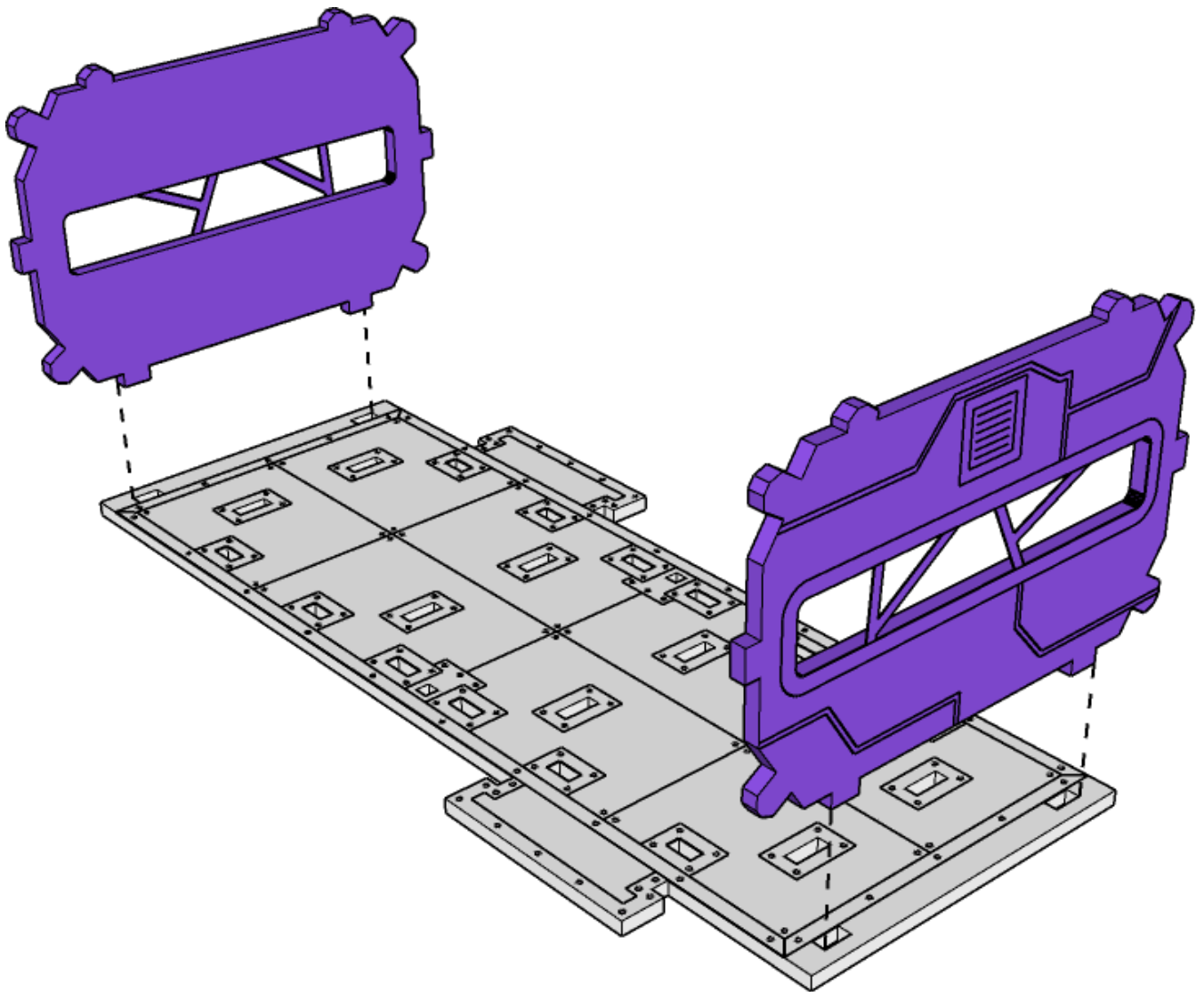


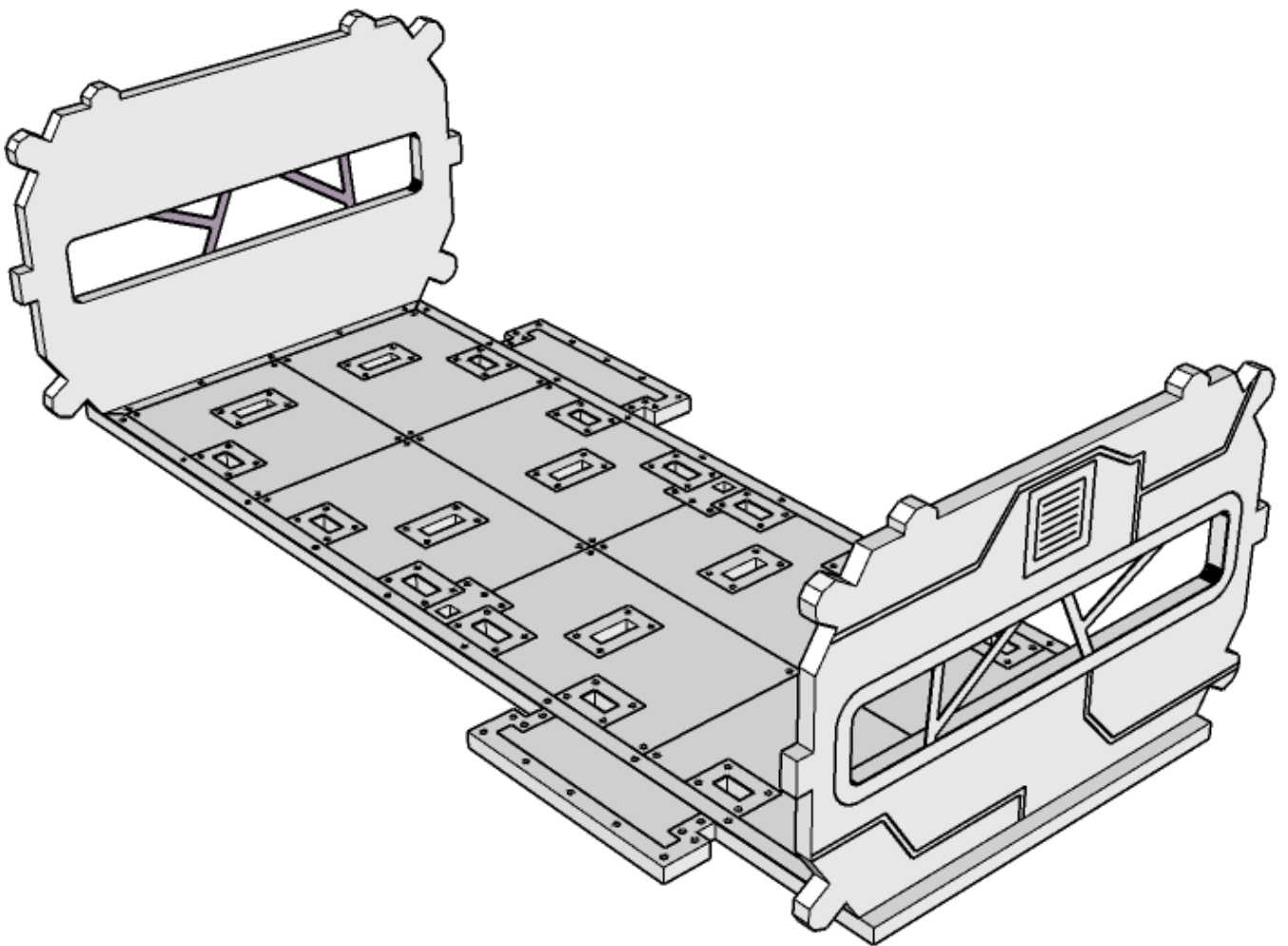


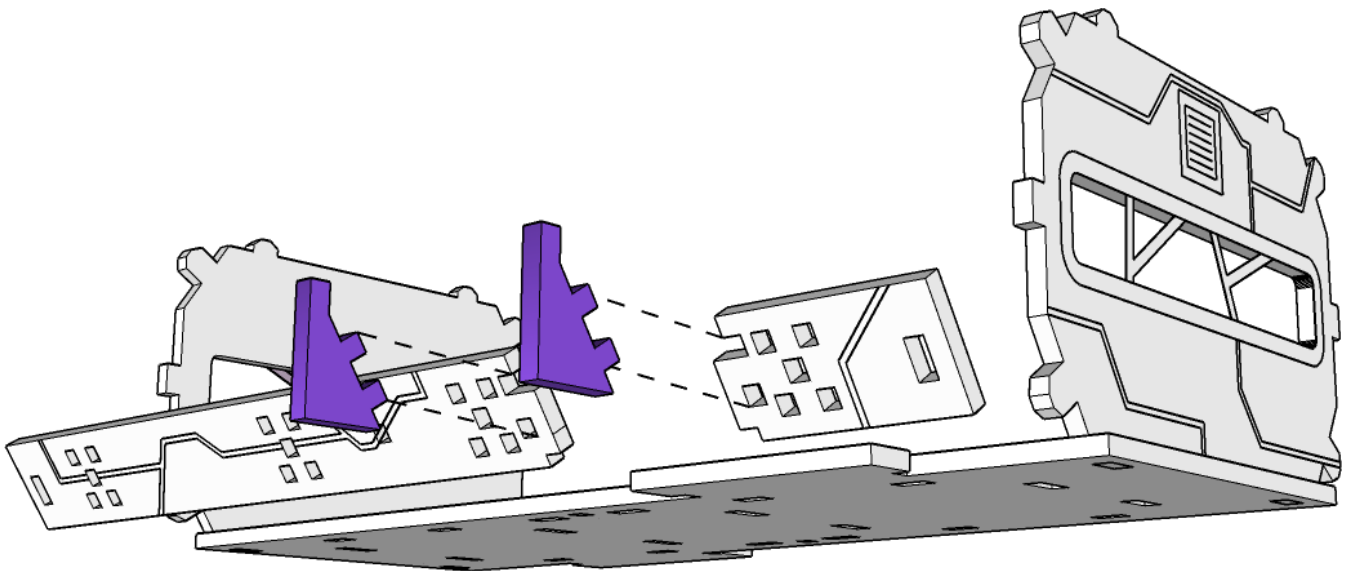
**TABLETOP  
SCENICS**

**TTSC-SFU-107  
Prefab Beta**

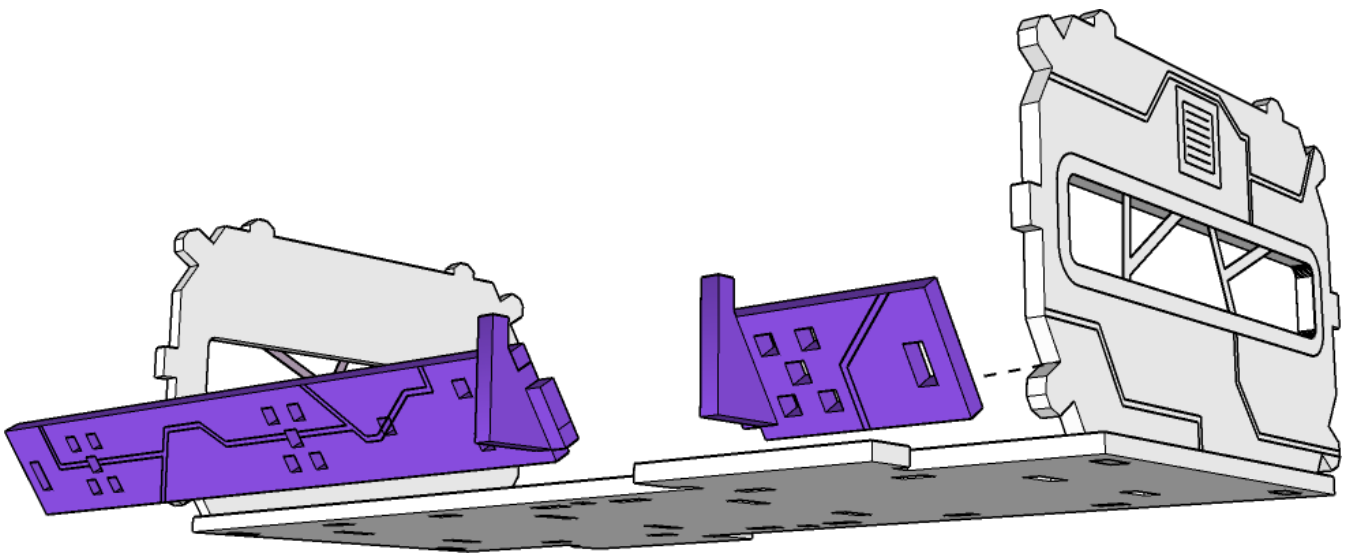


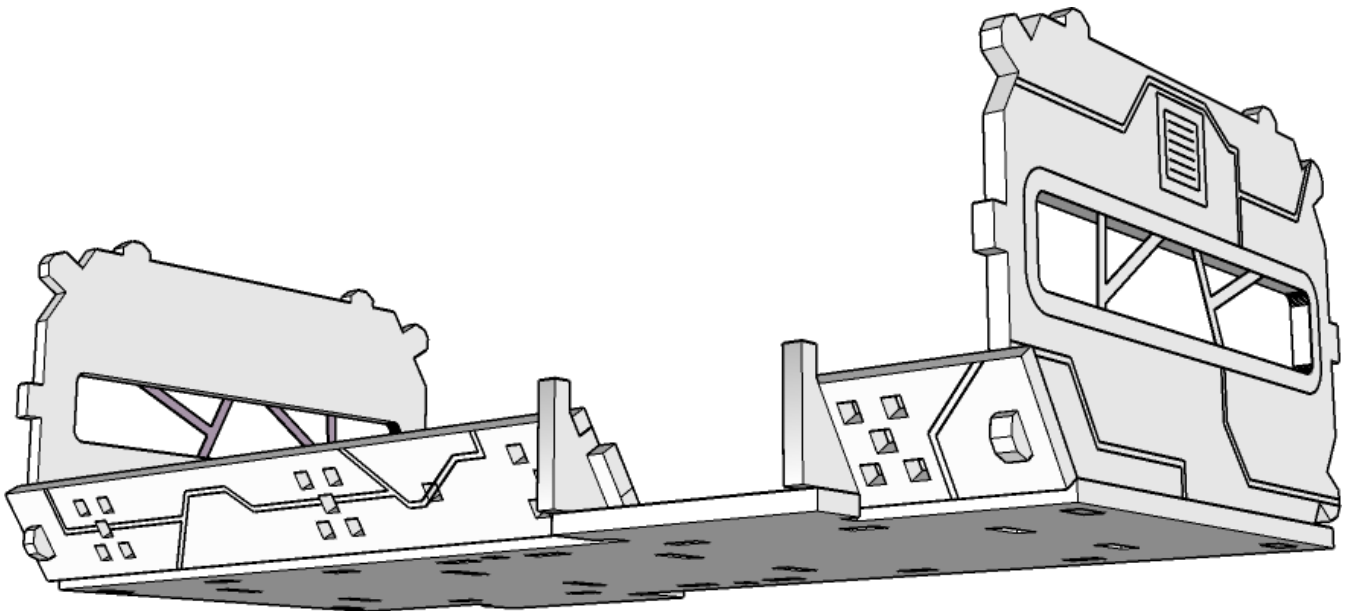


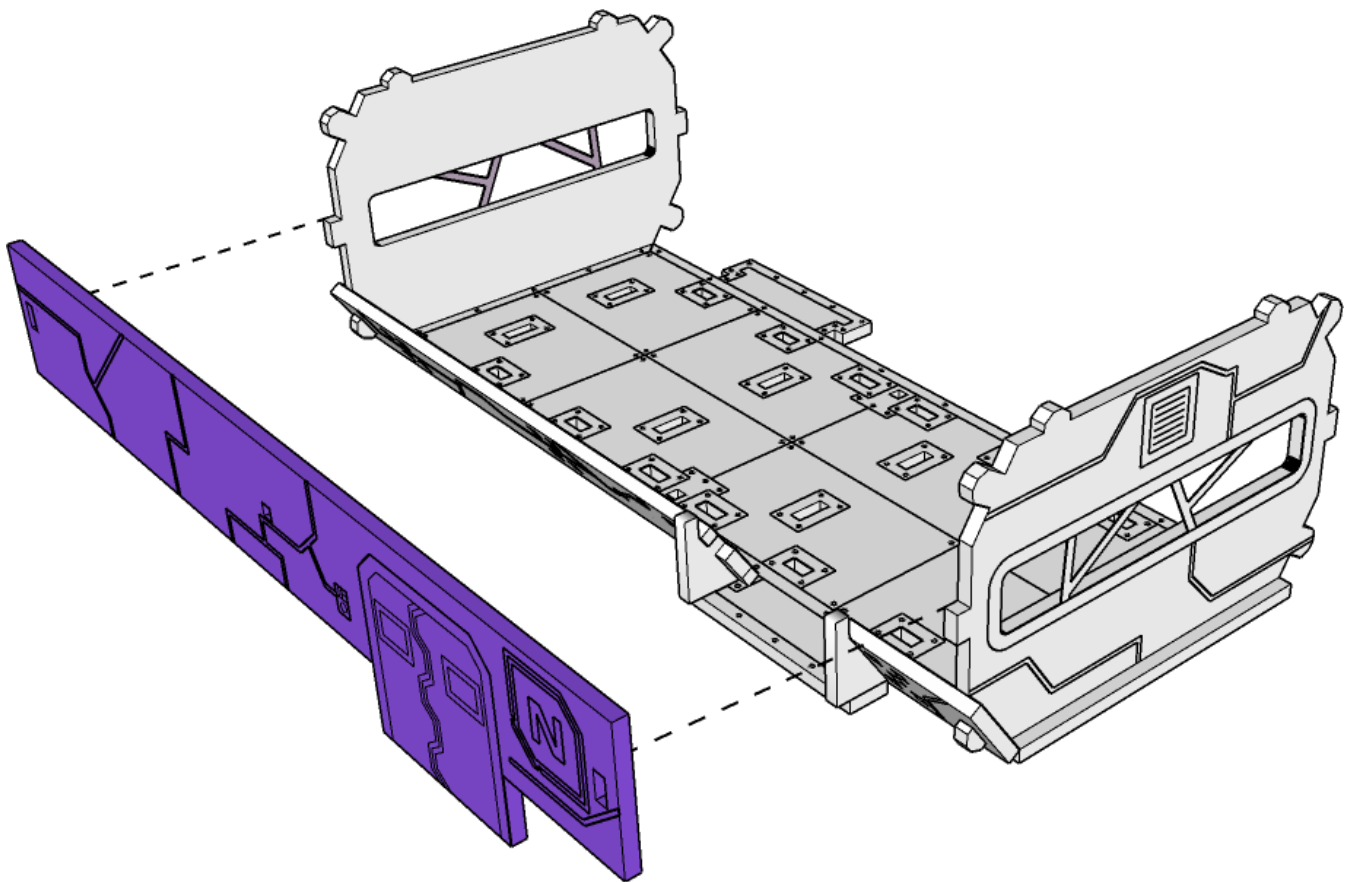


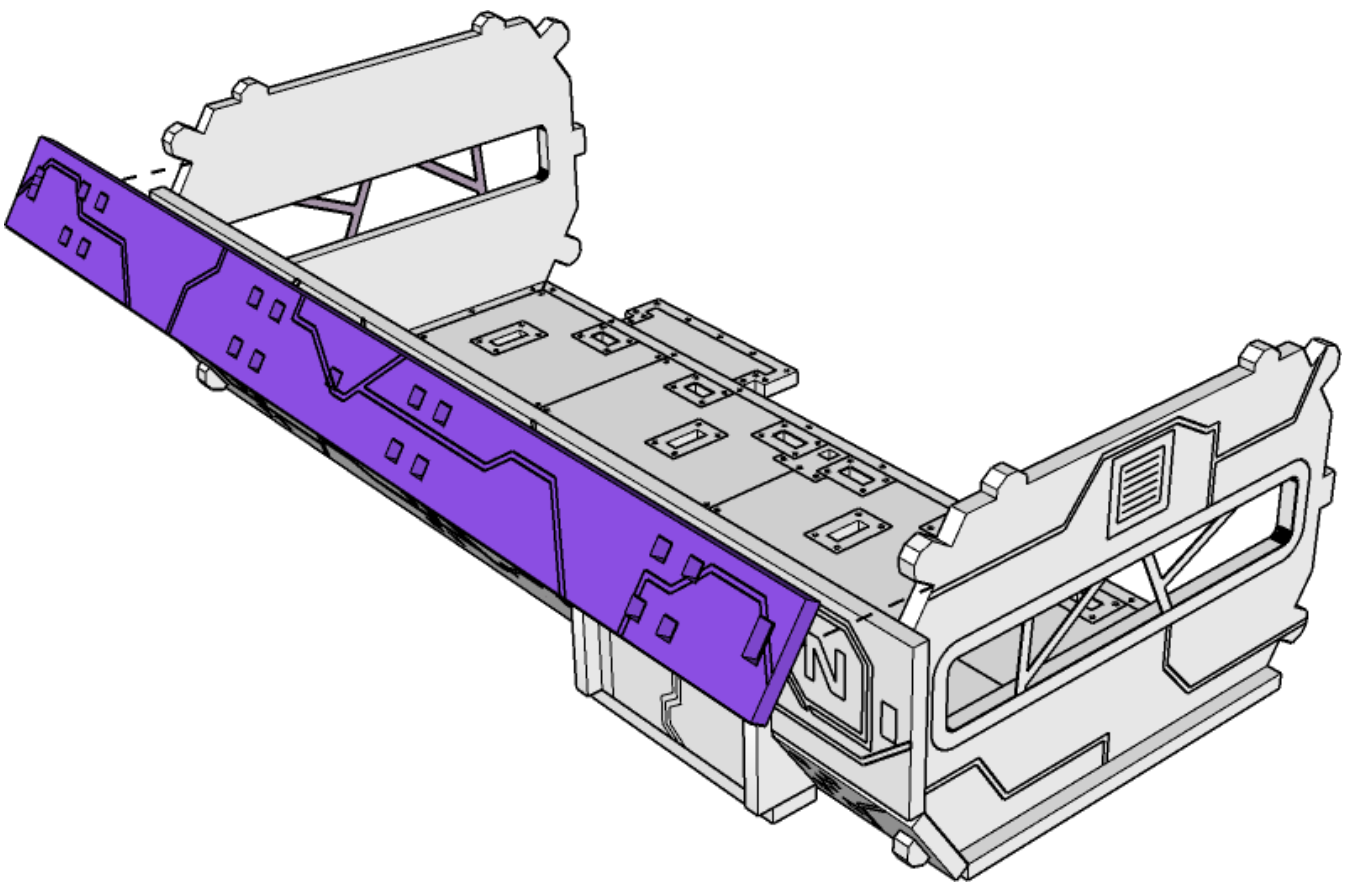


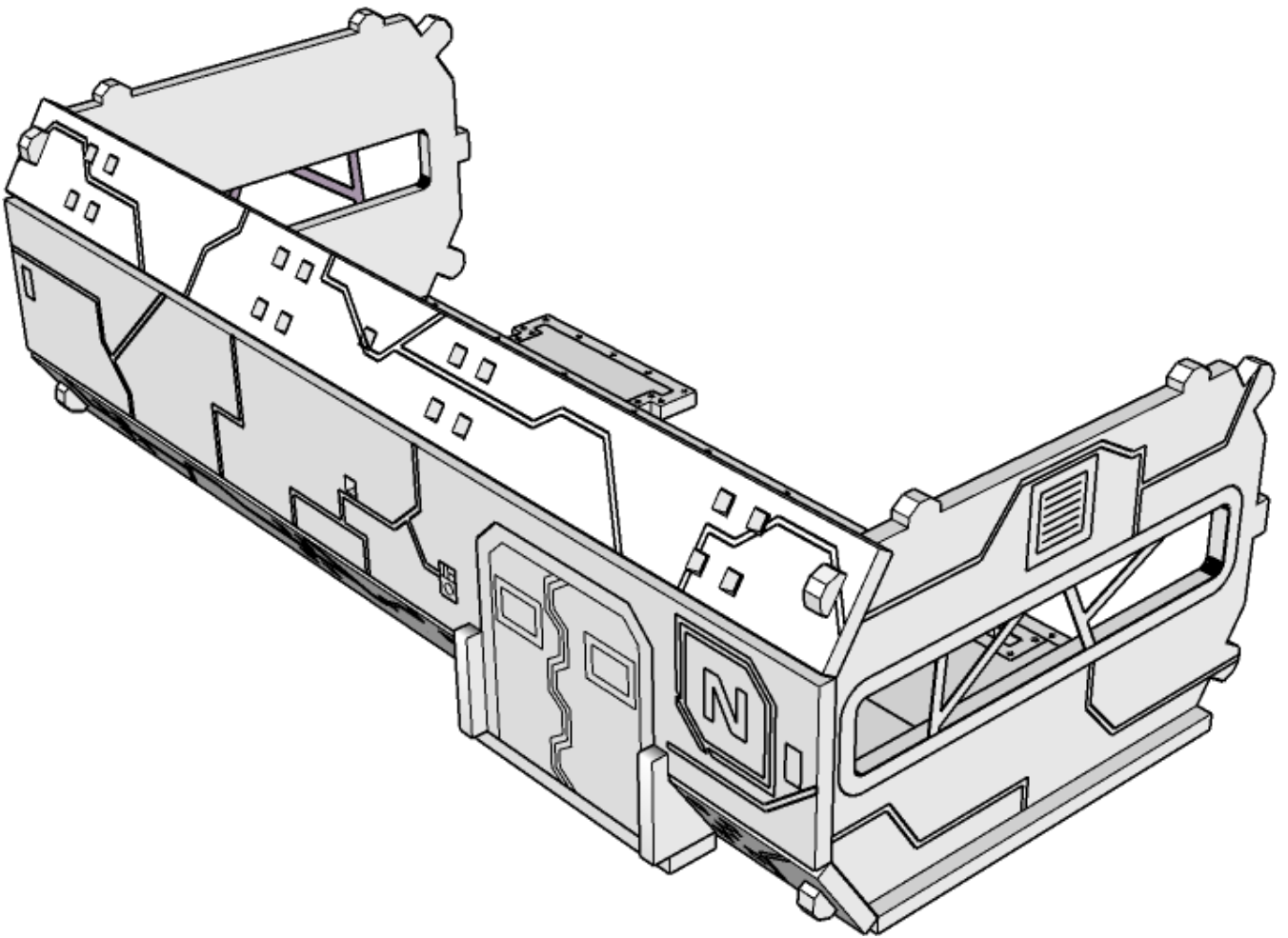


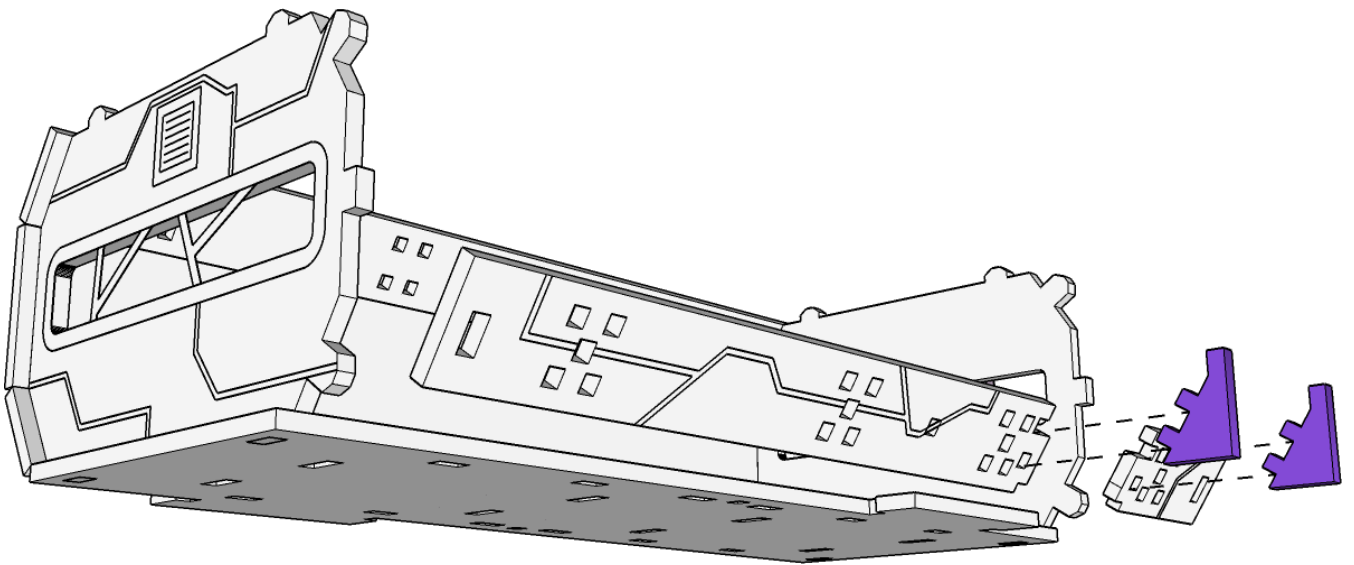


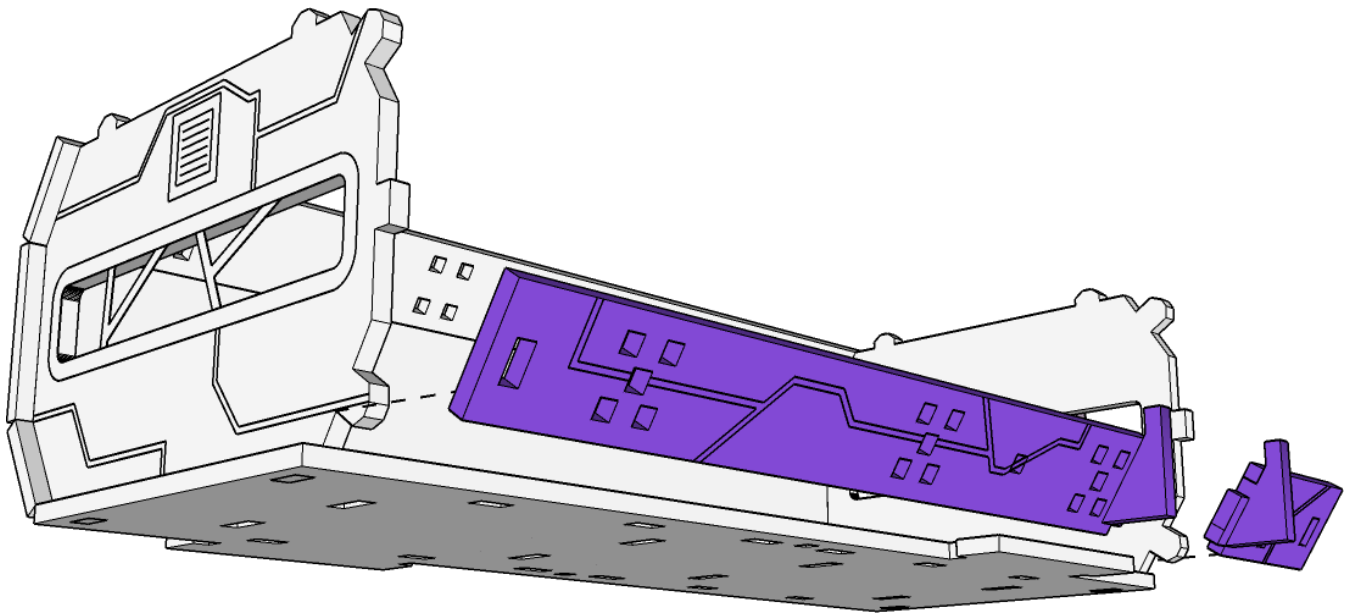


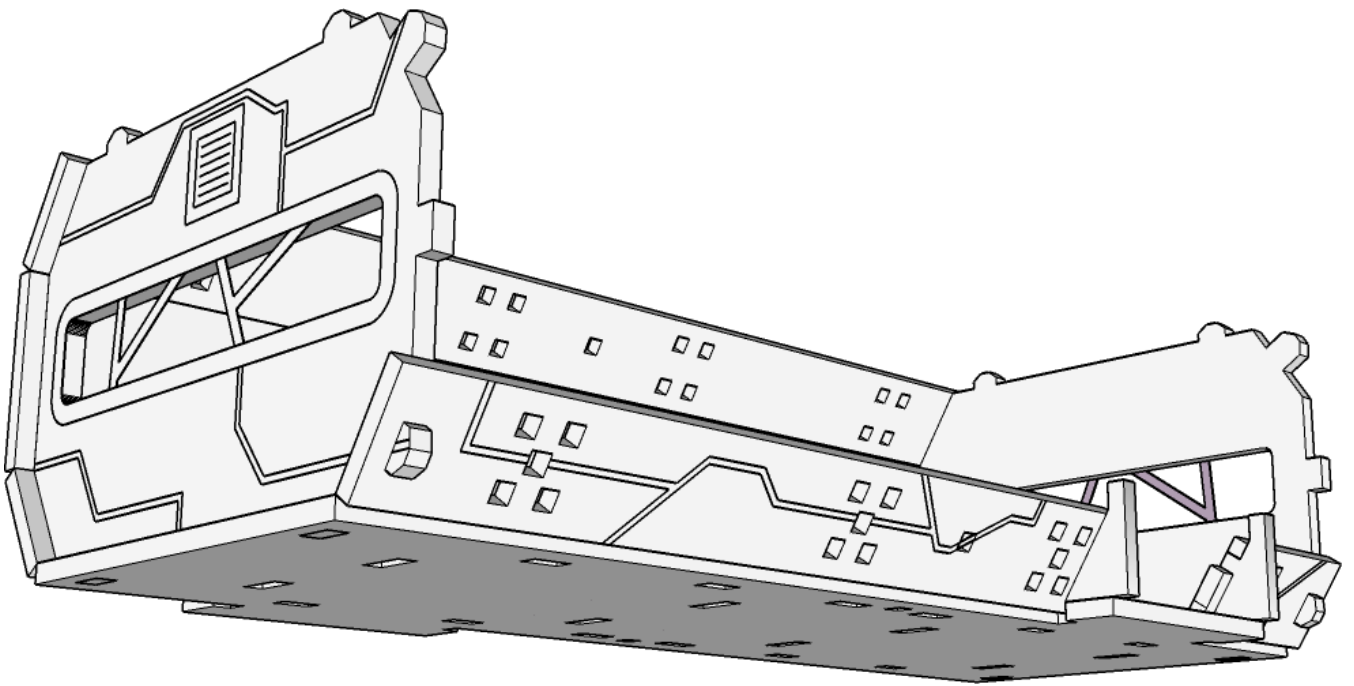




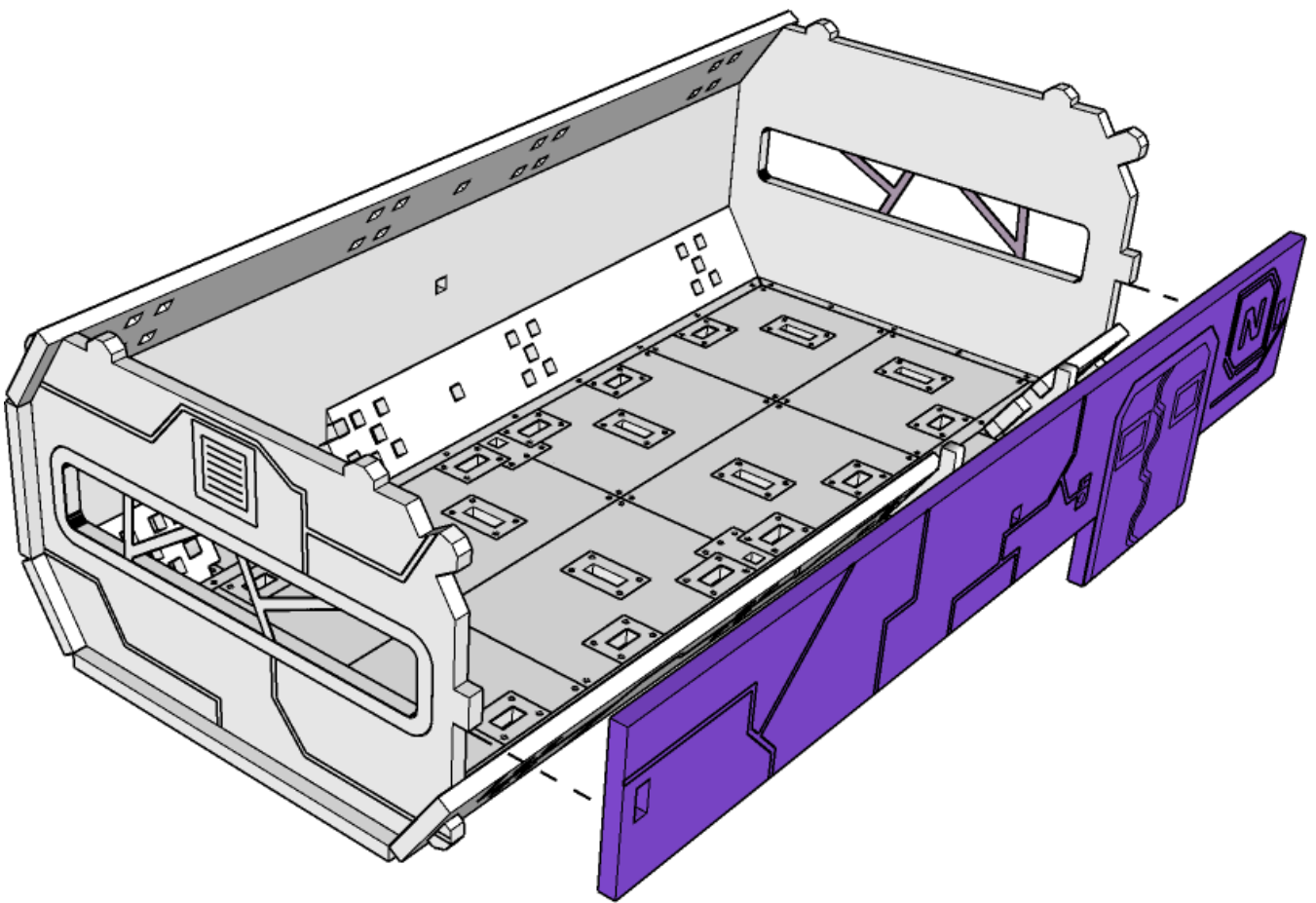


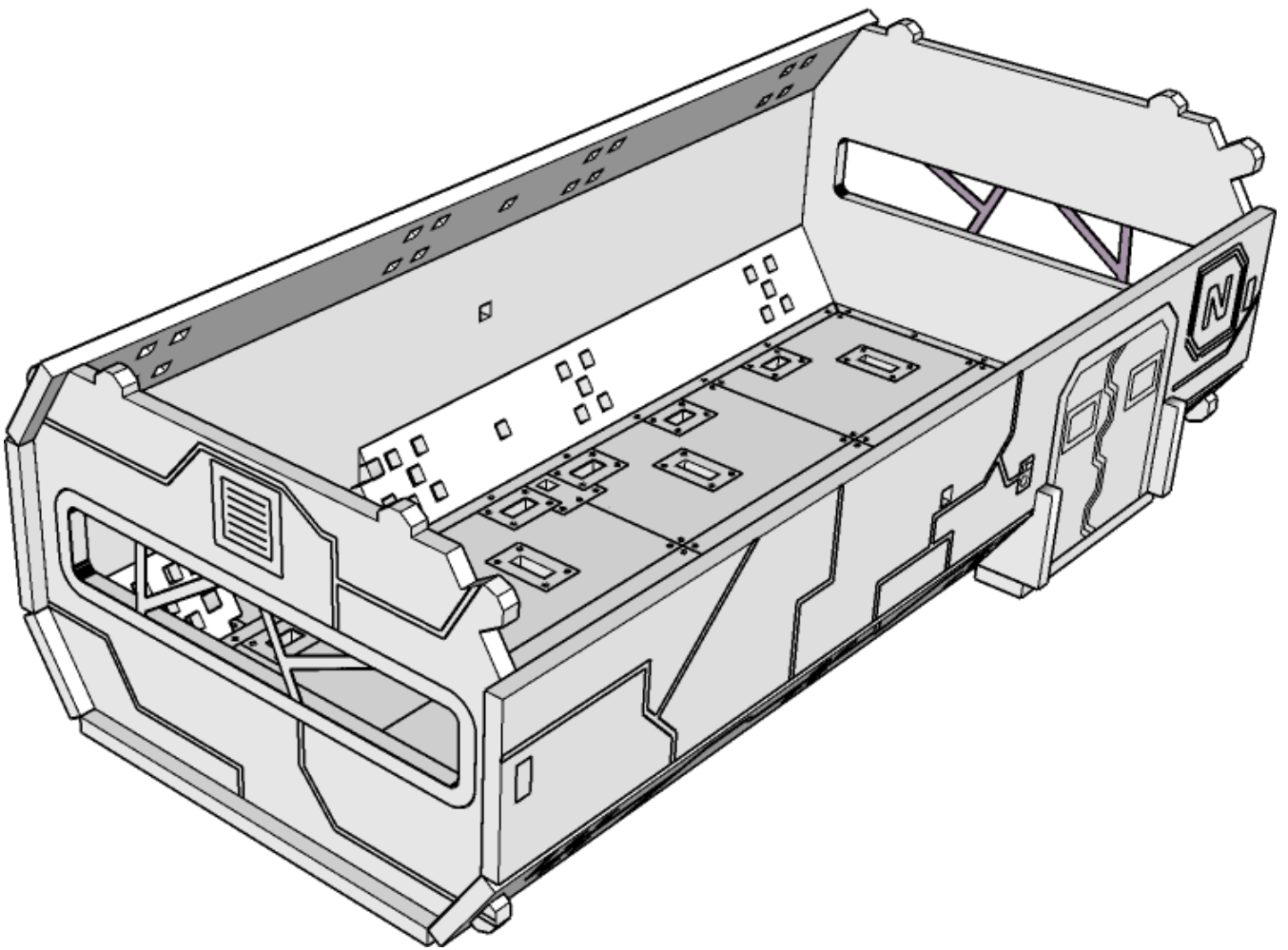


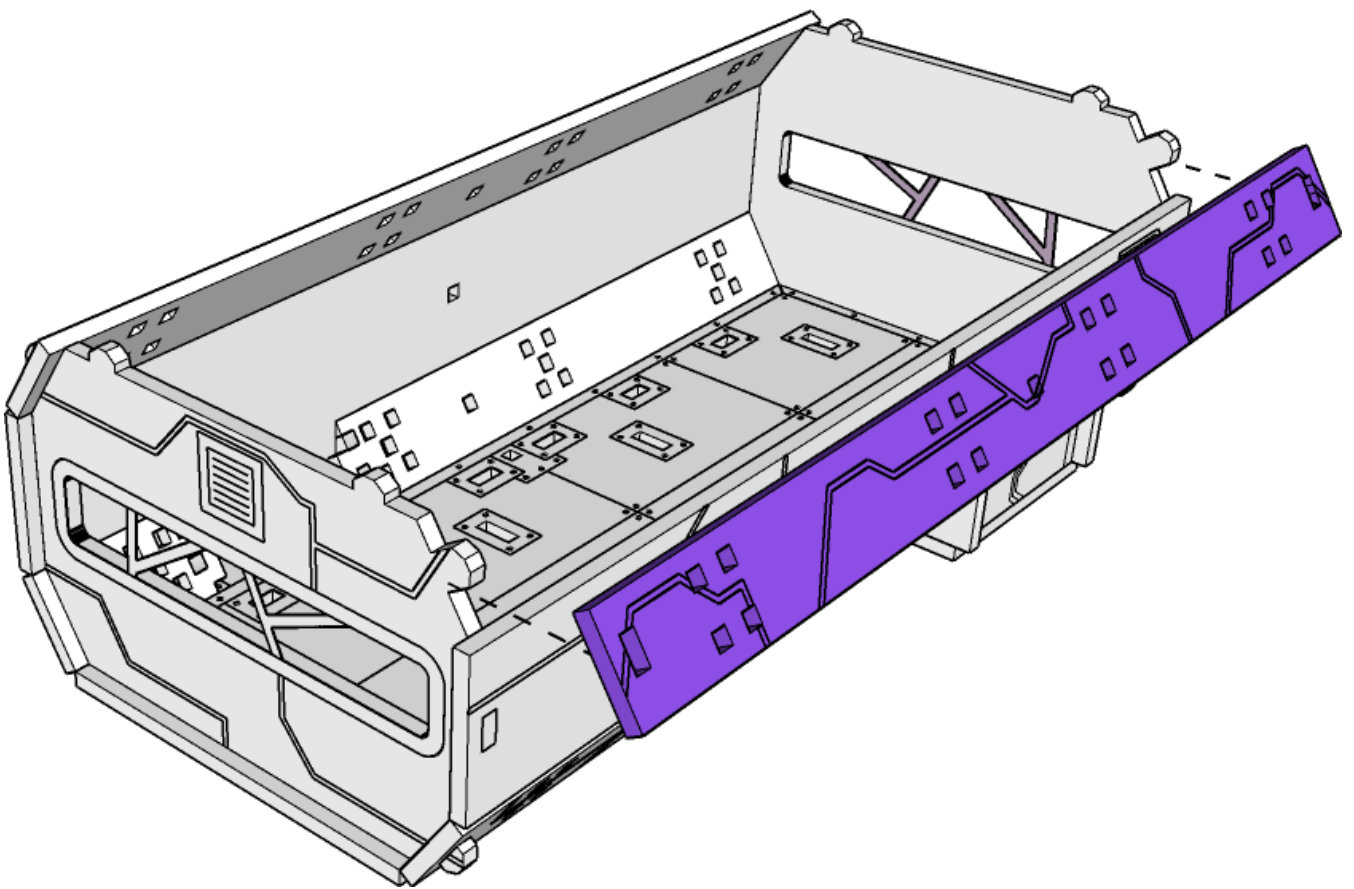


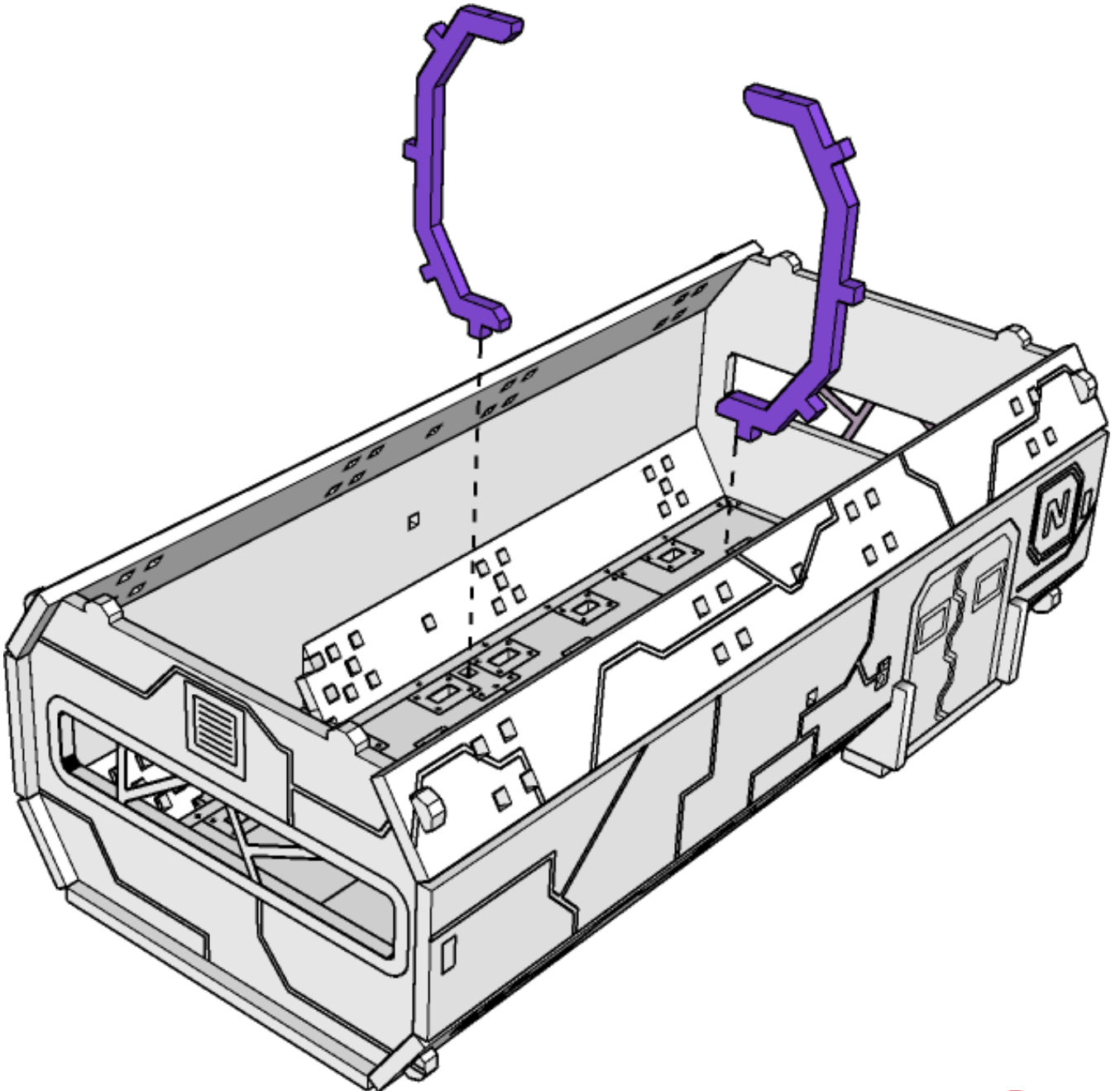


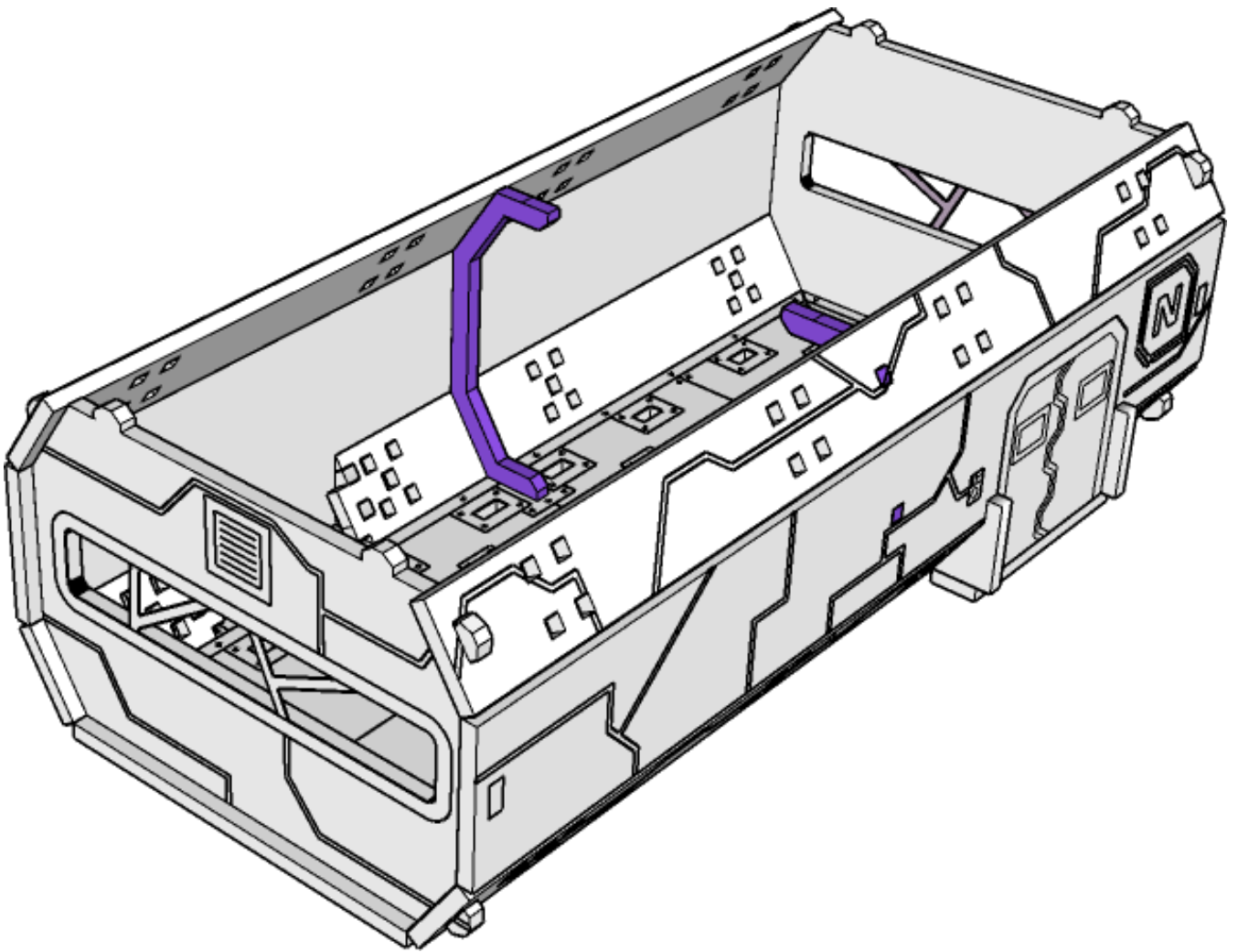


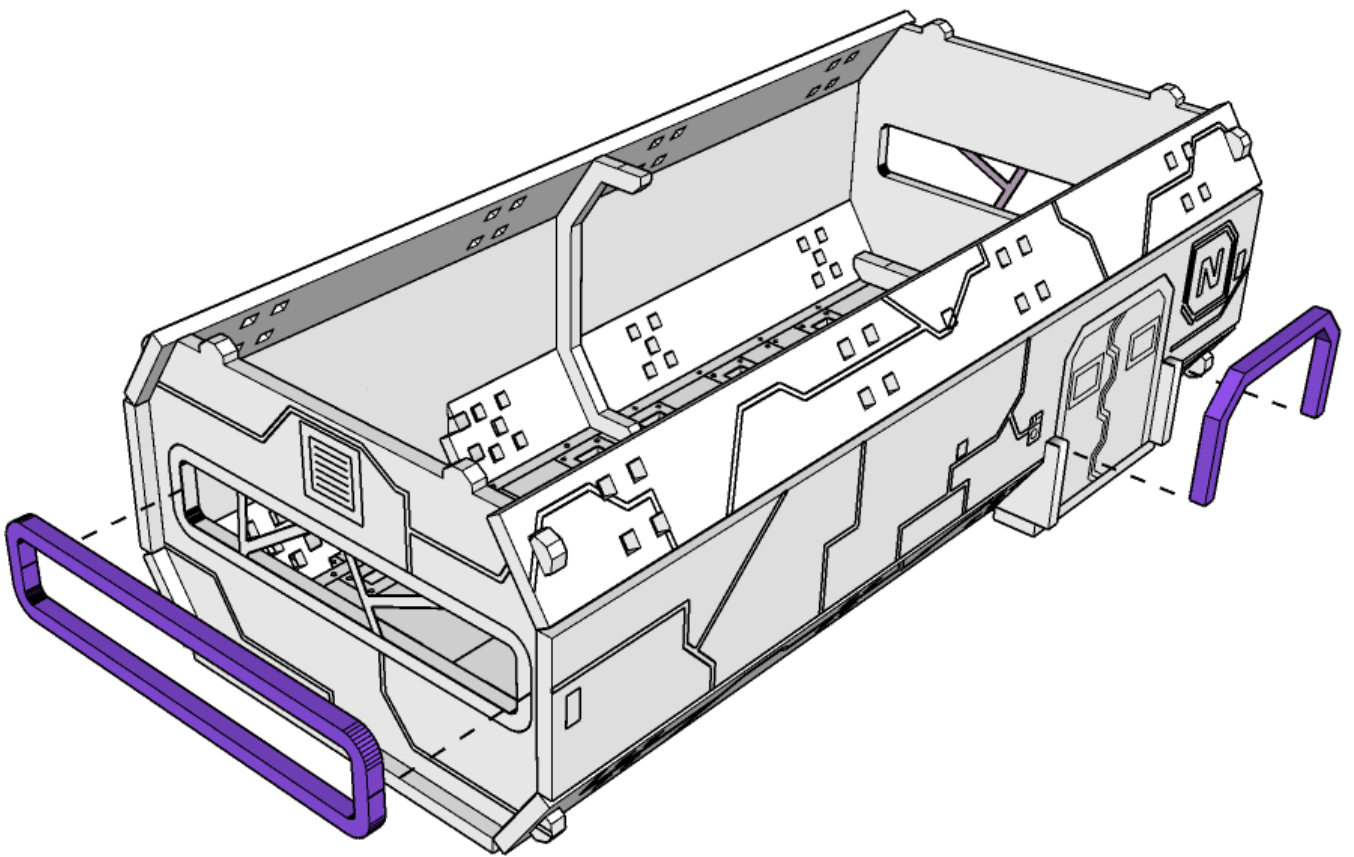










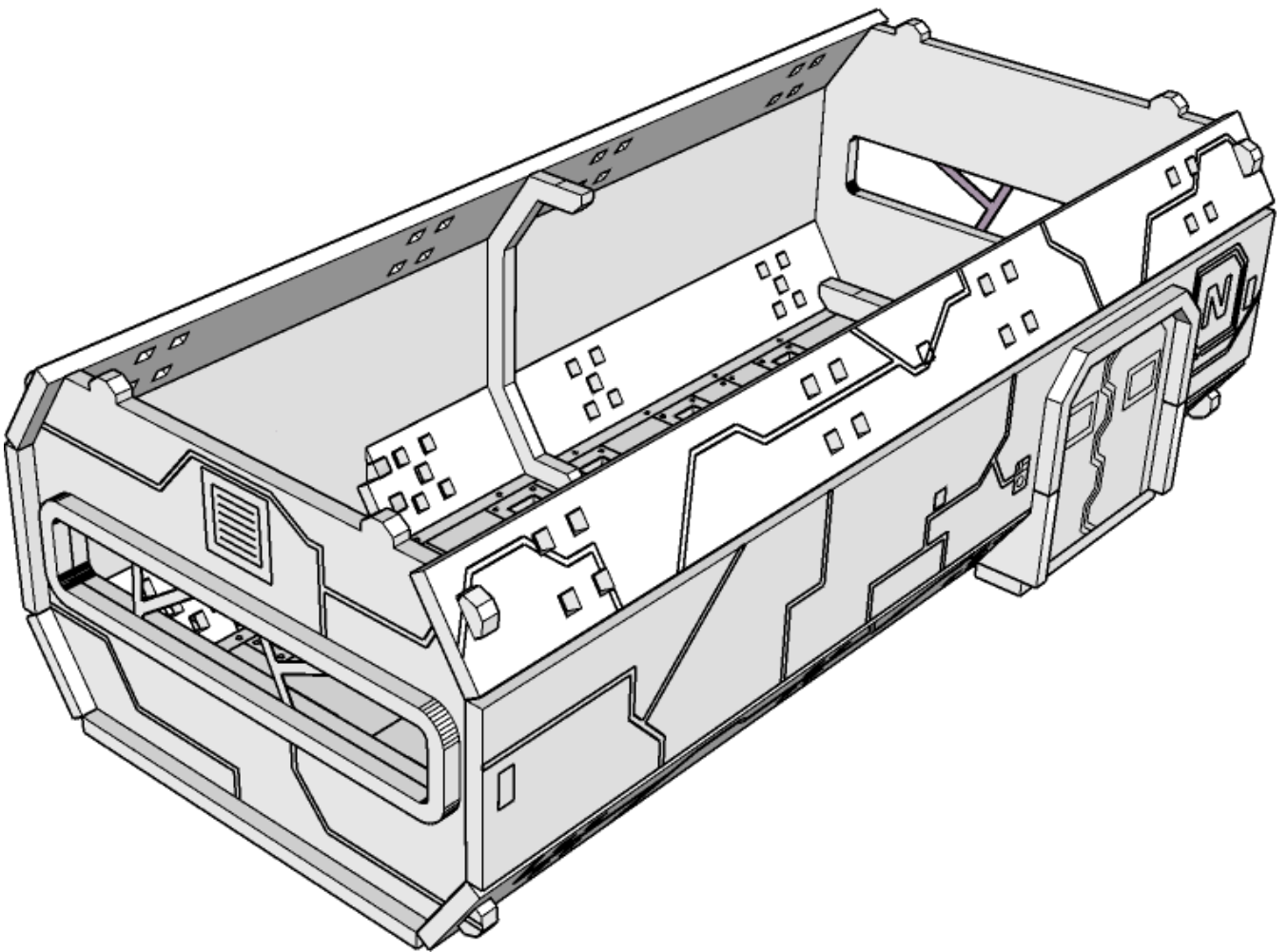


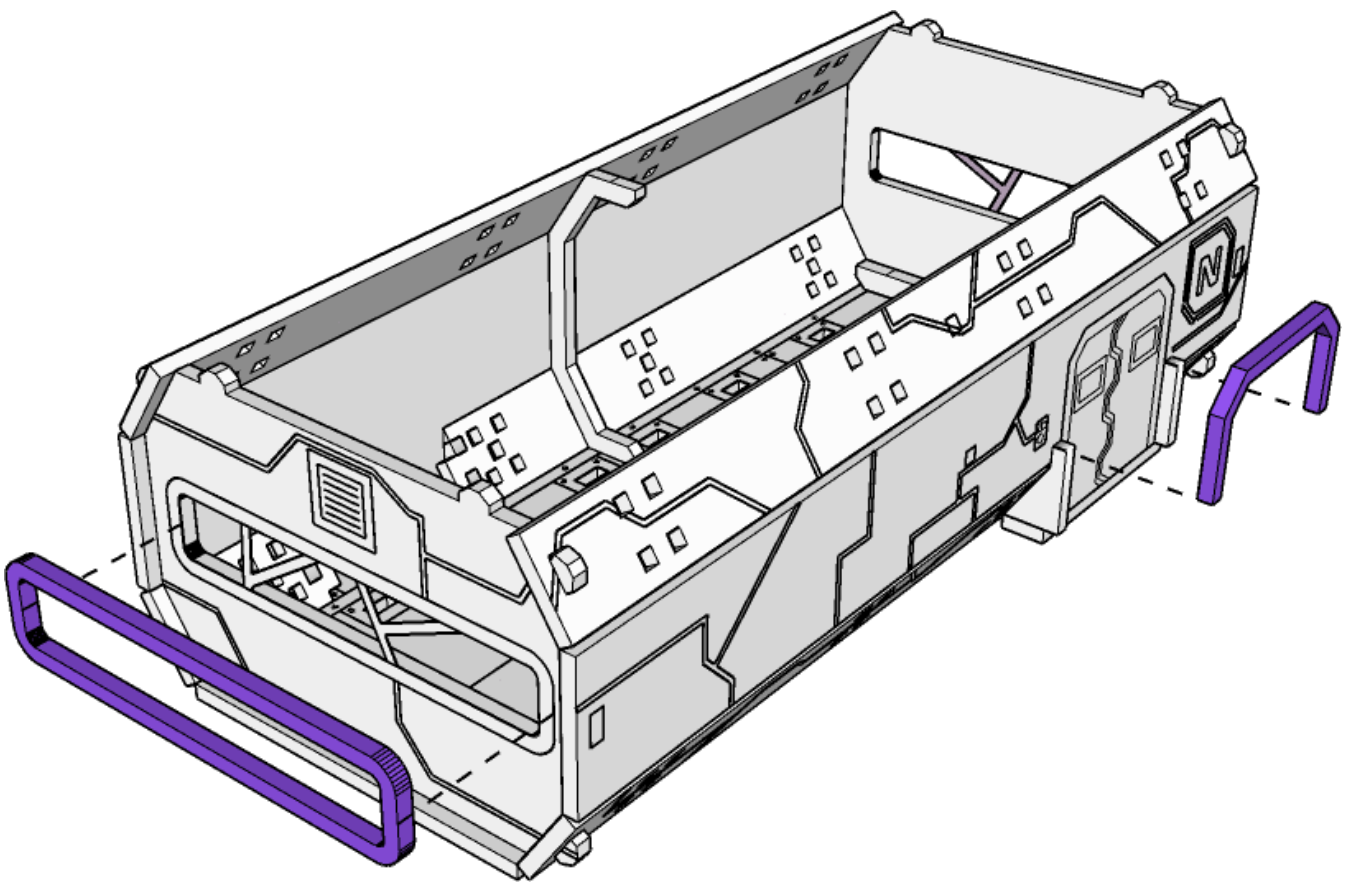




**TABLETOP  
SCENICS**

**TTSC-SFU-107  
Prefab Beta**



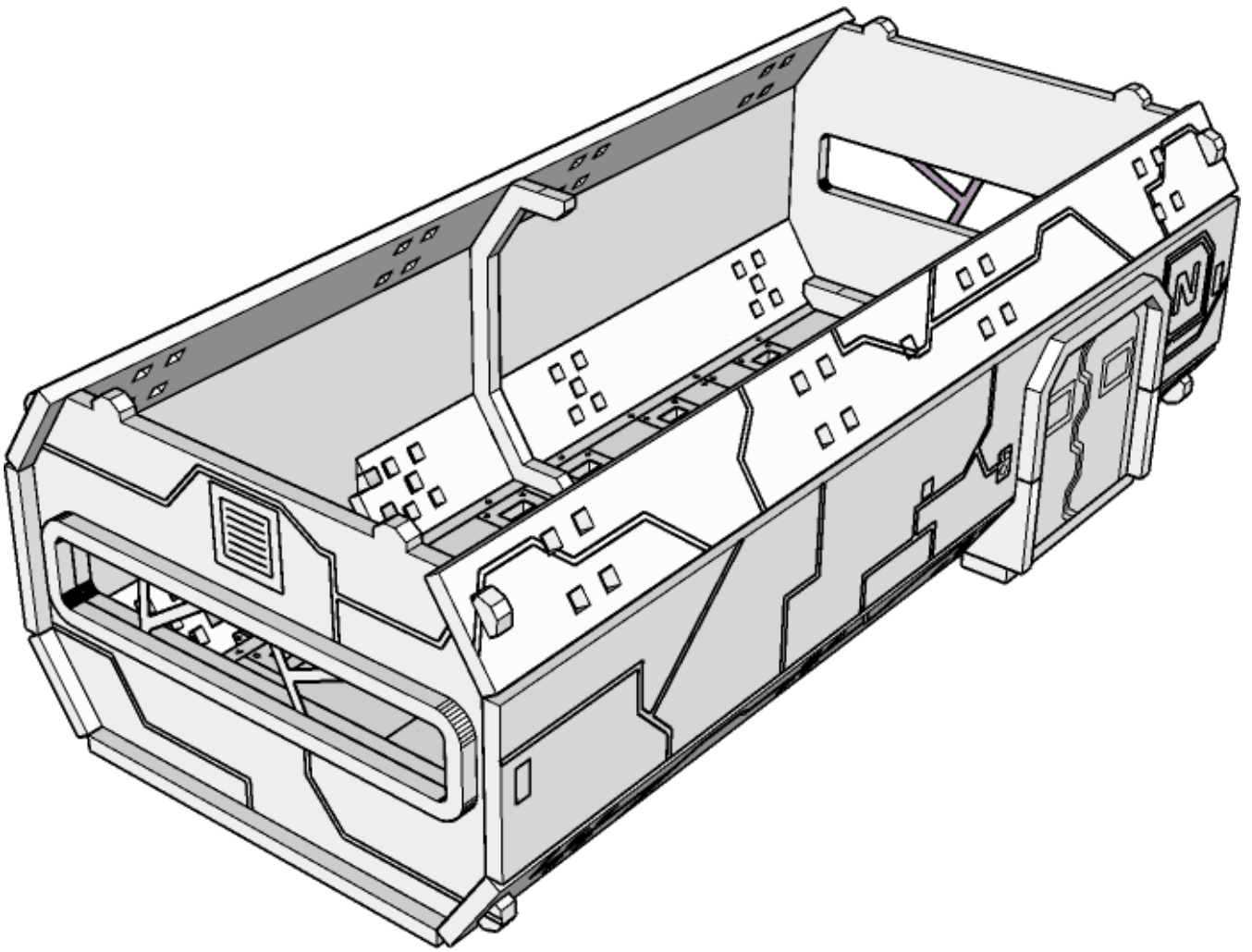


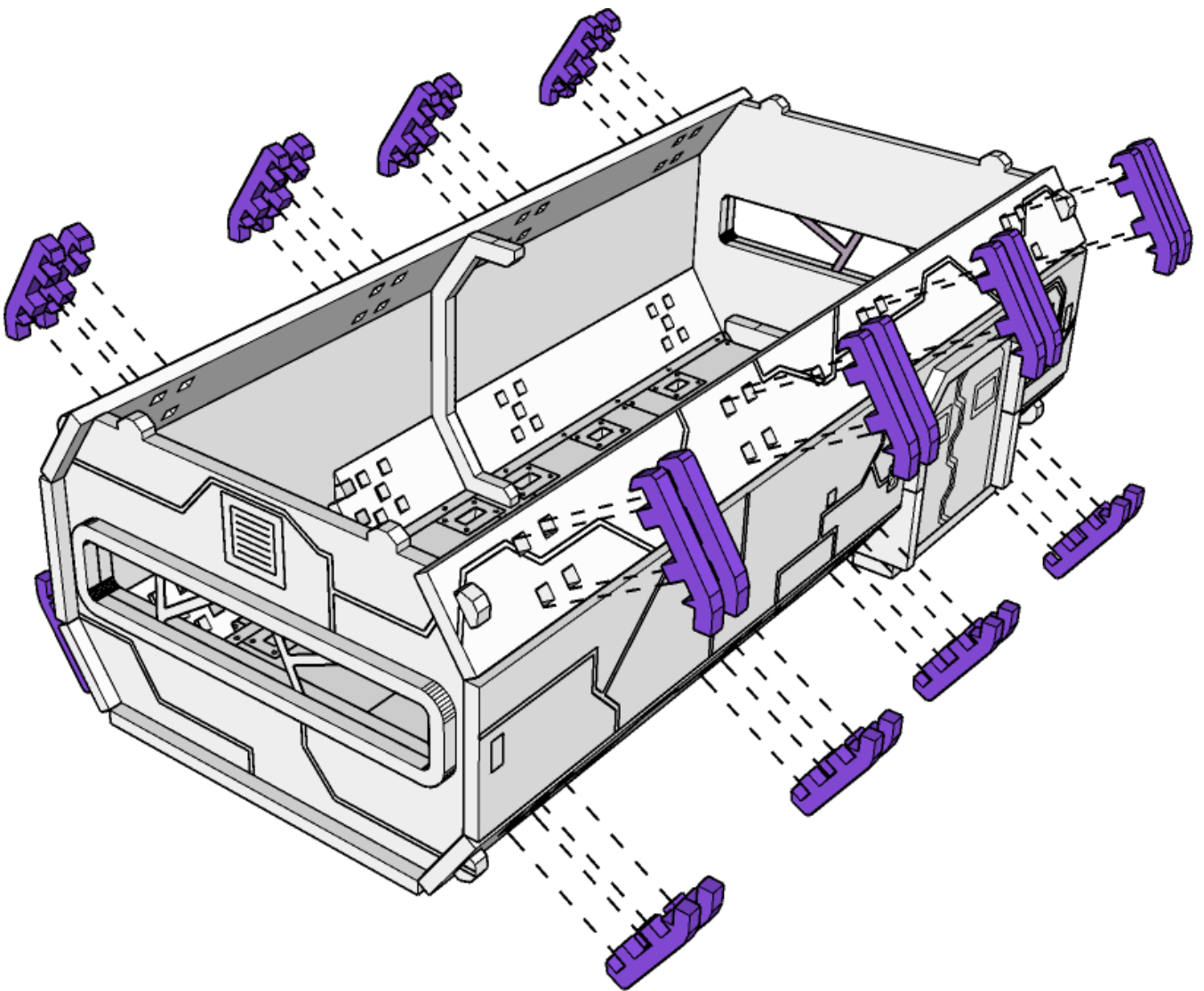


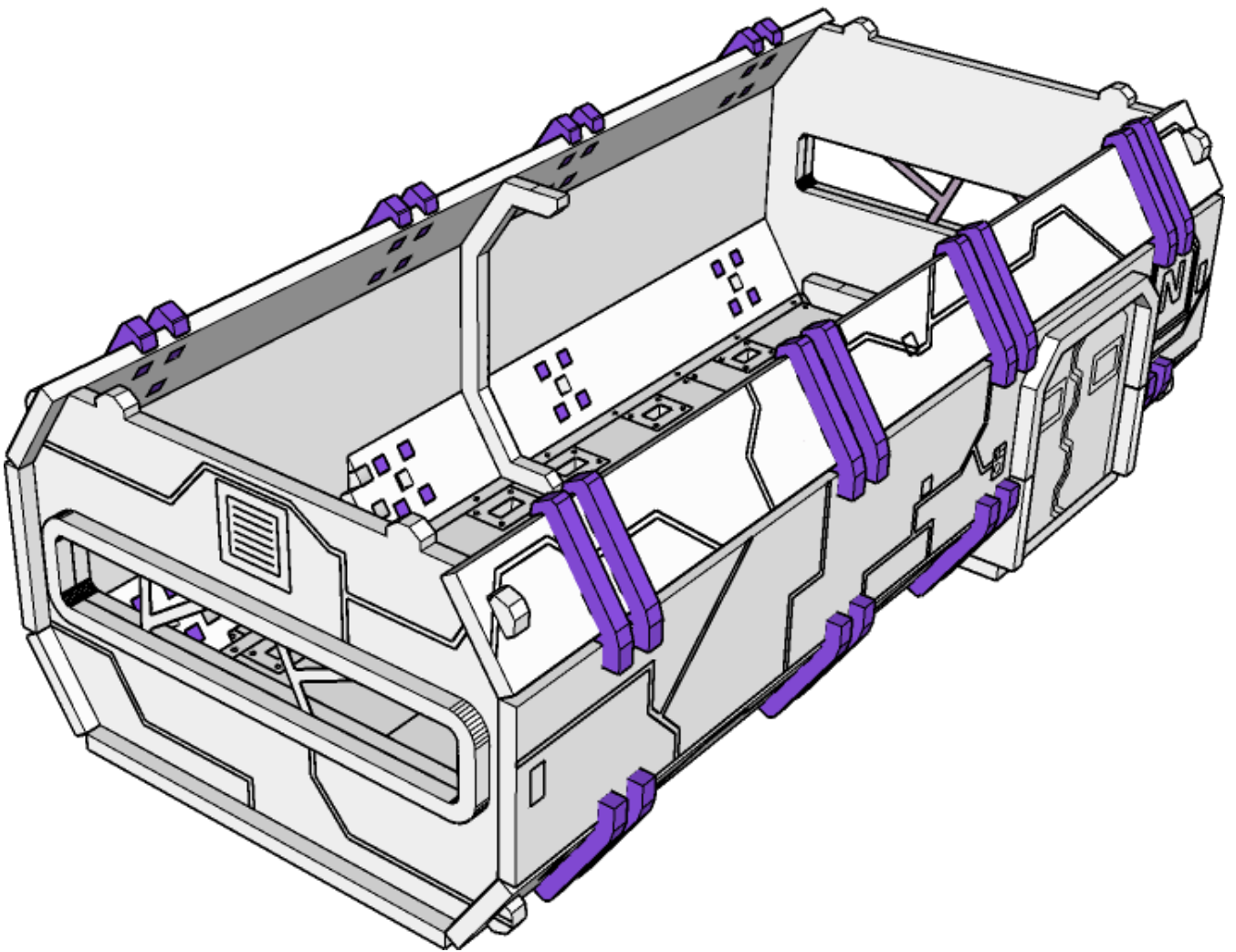


TABLETOP  
**SCENICS**

**TTSC-SFU-107**  
**Prefab Beta**



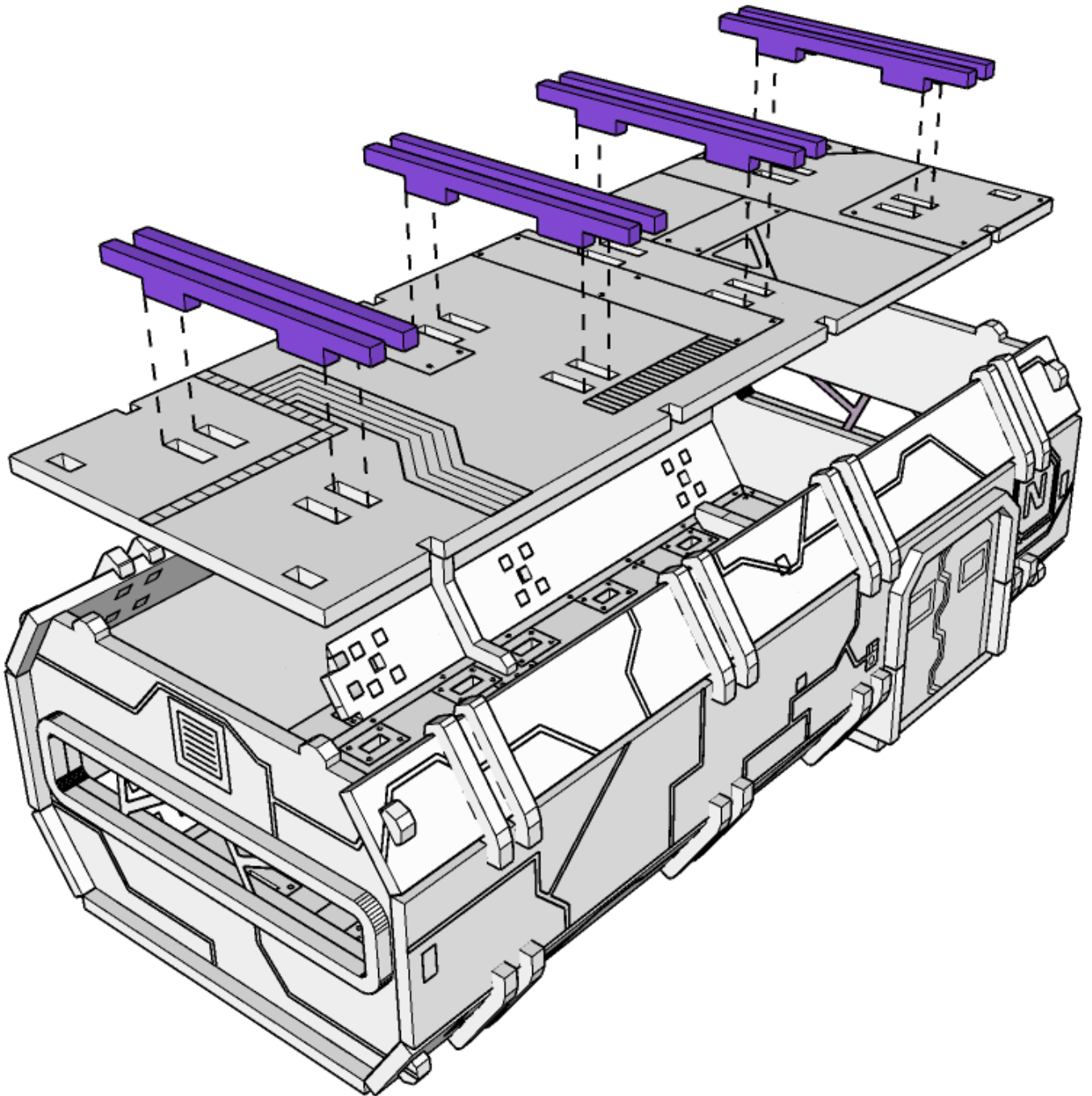






TABLETOP  
**SCENICS**

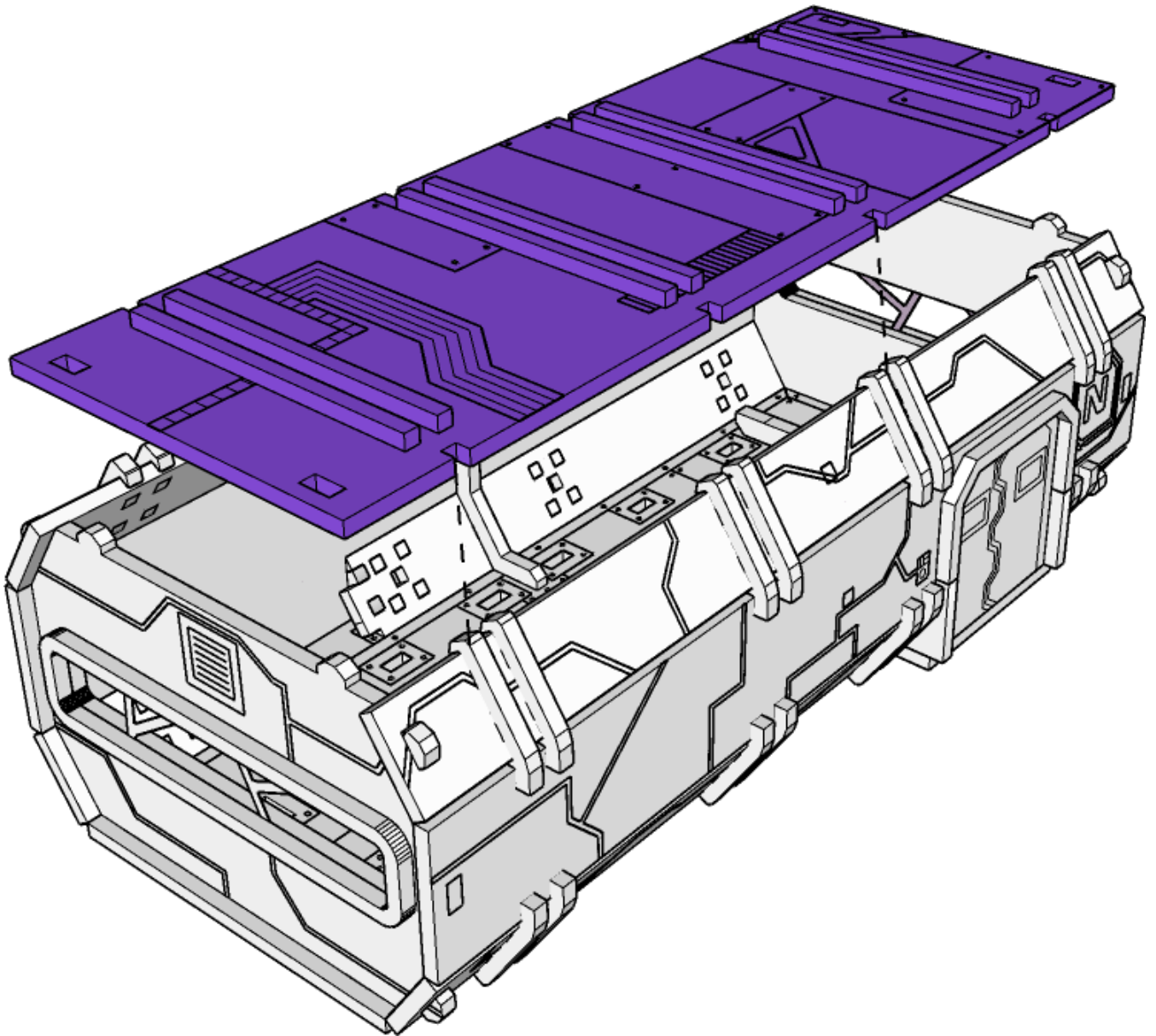
**TTSC-SFU-107**  
**Prefab Beta**





TABLETOP  
**SCENICS**

**TTSC-SFU-107**  
**Prefab Beta**

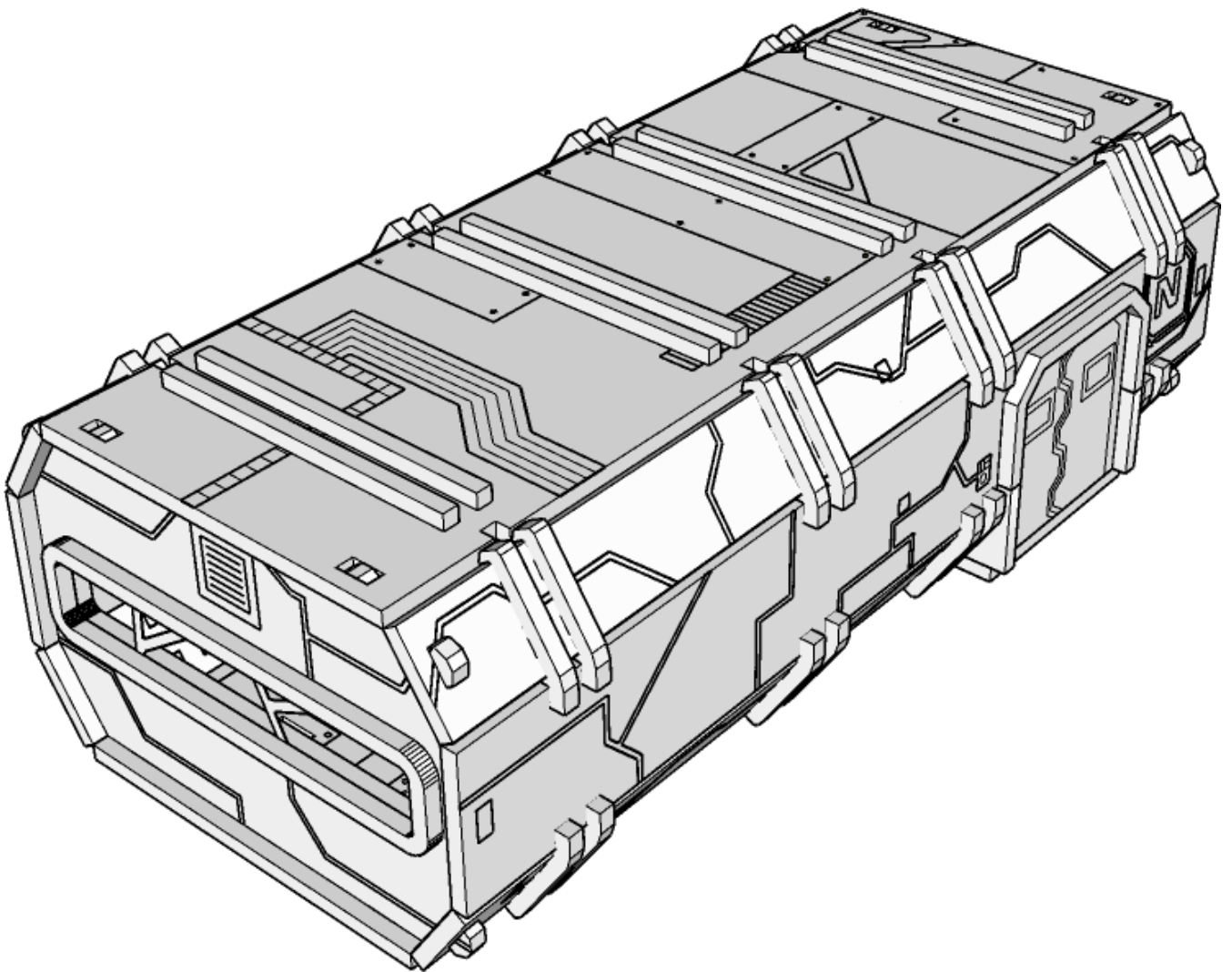


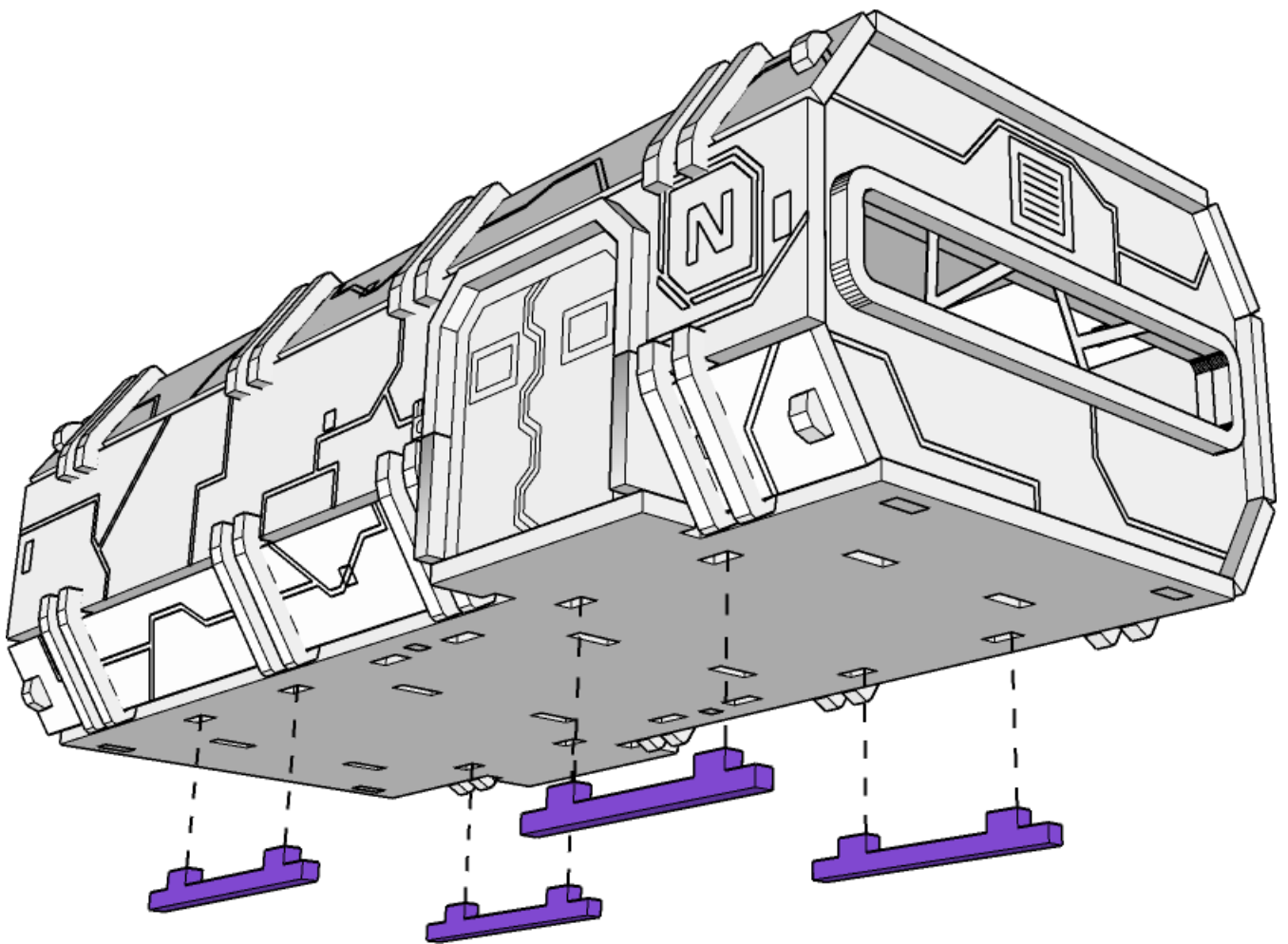


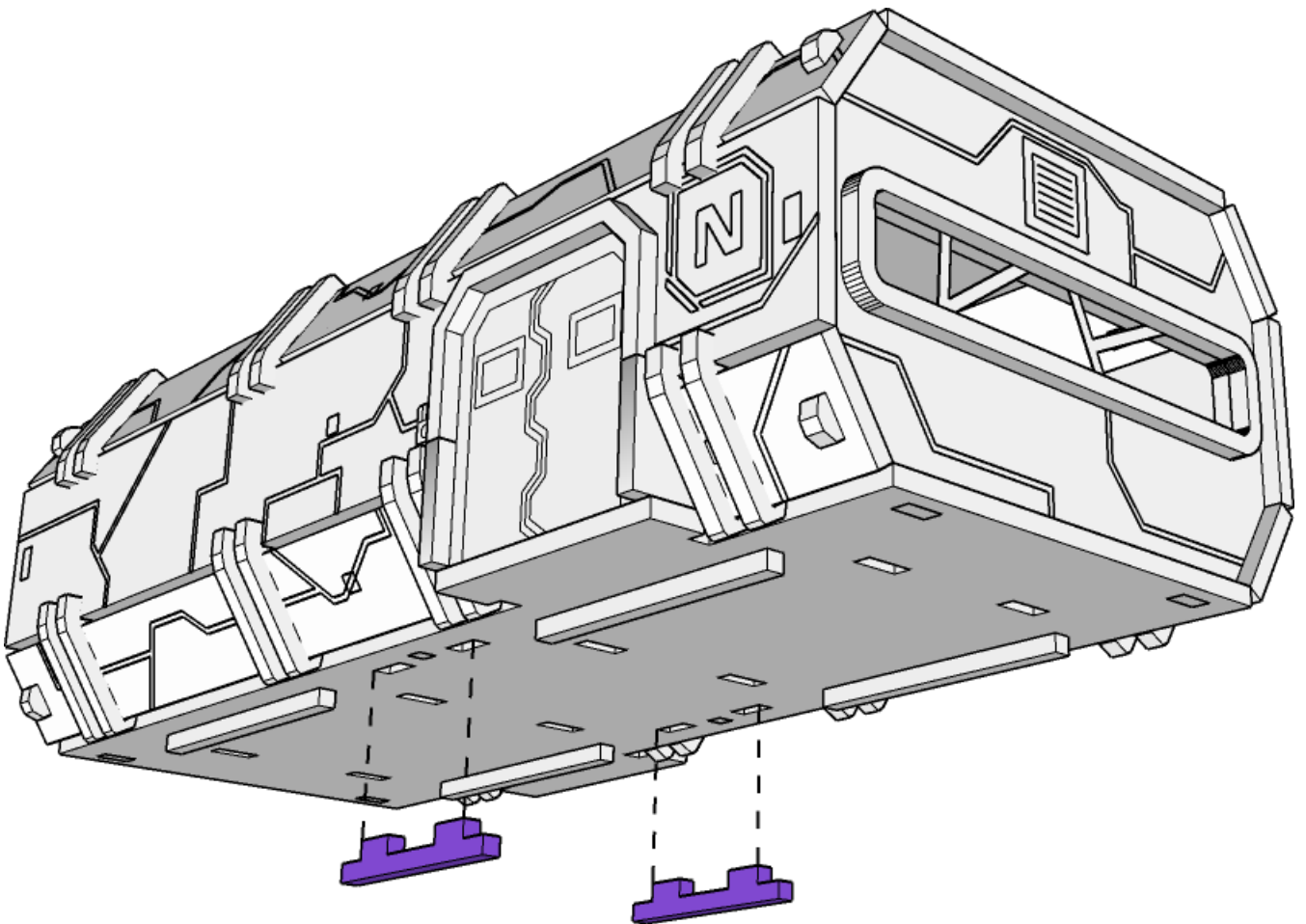


TABLETOP  
**SCENICS**

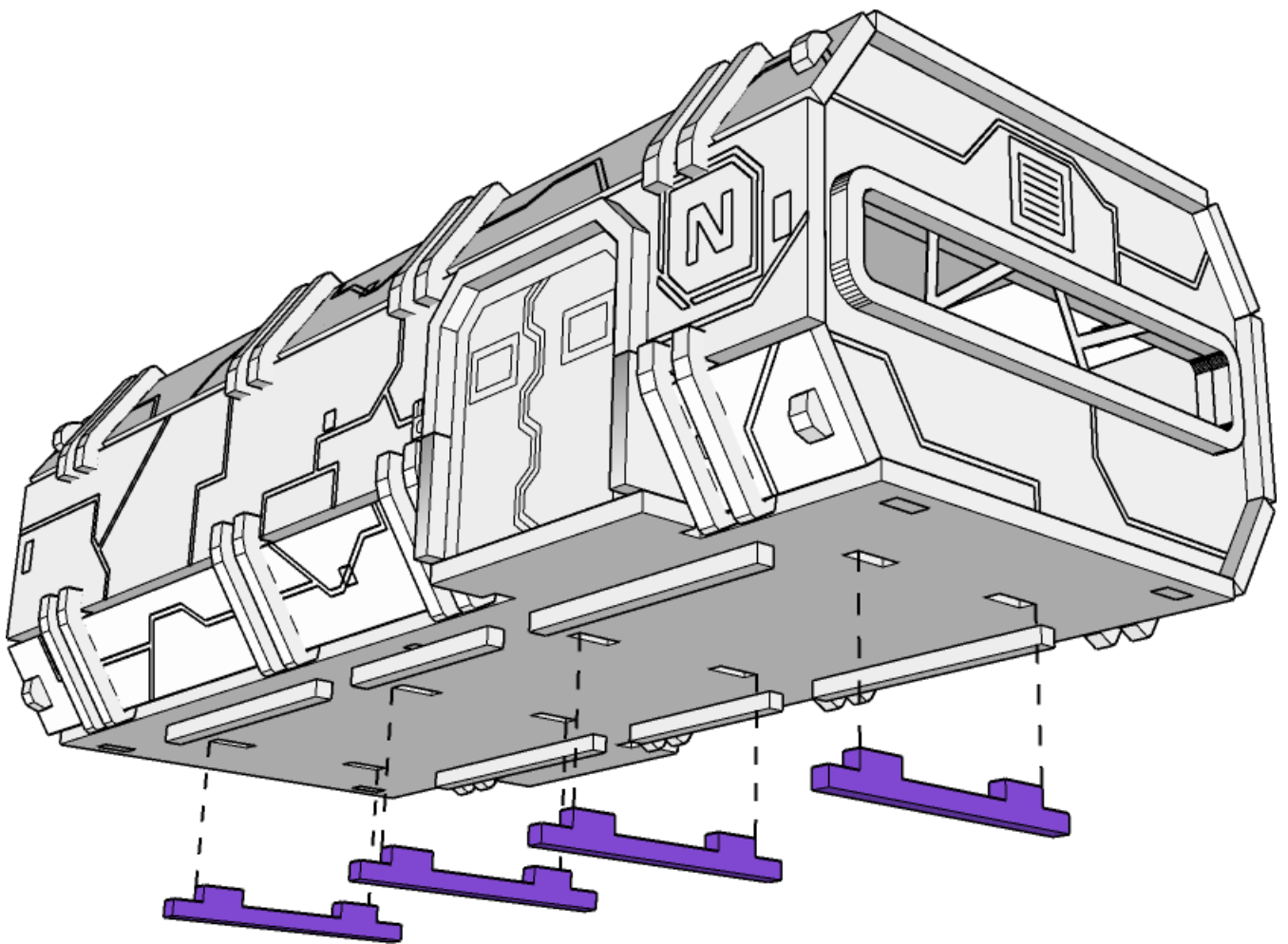
**TTSC-SFU-107**  
**Prefab Beta**

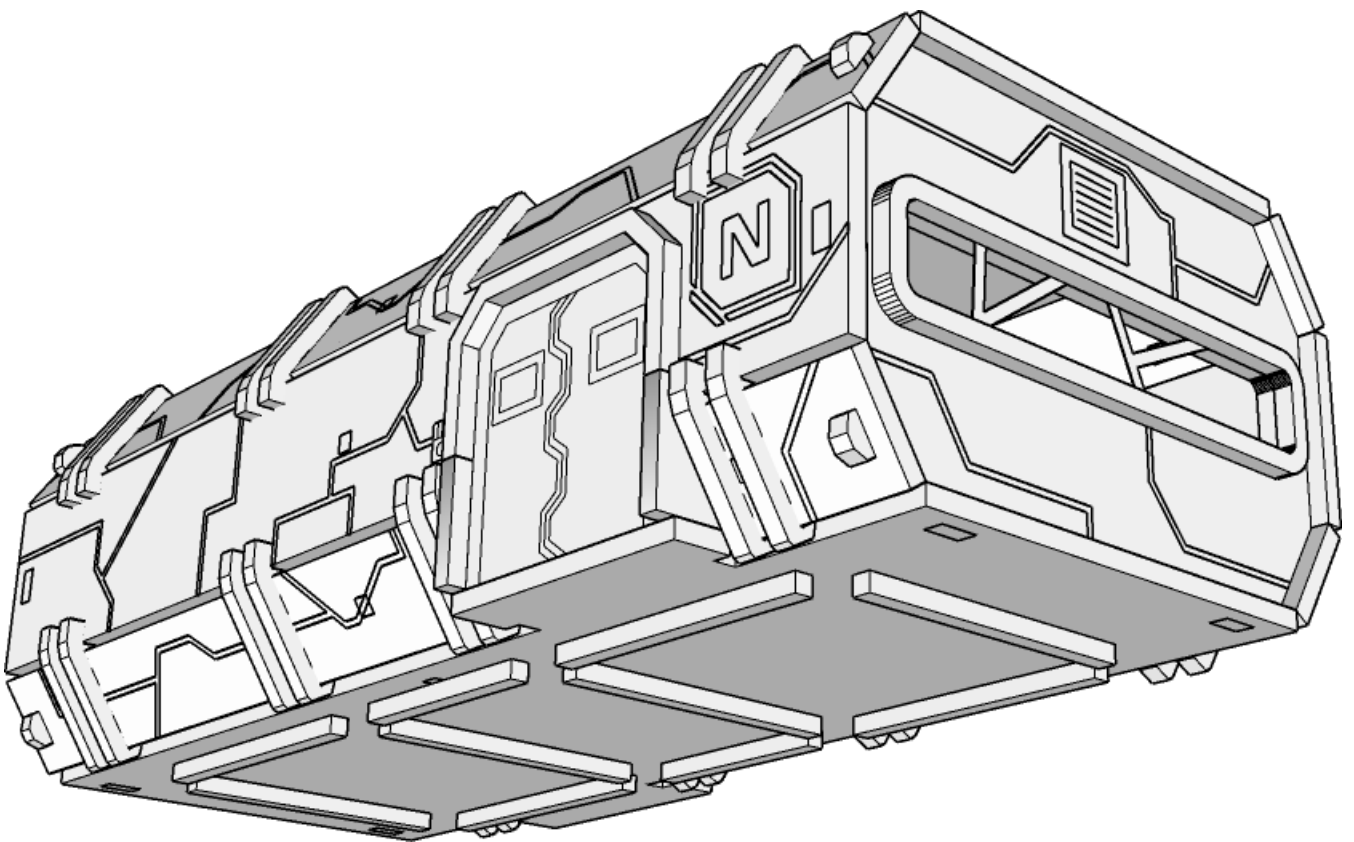








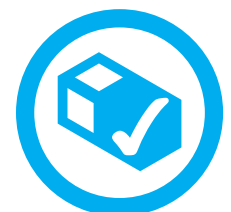
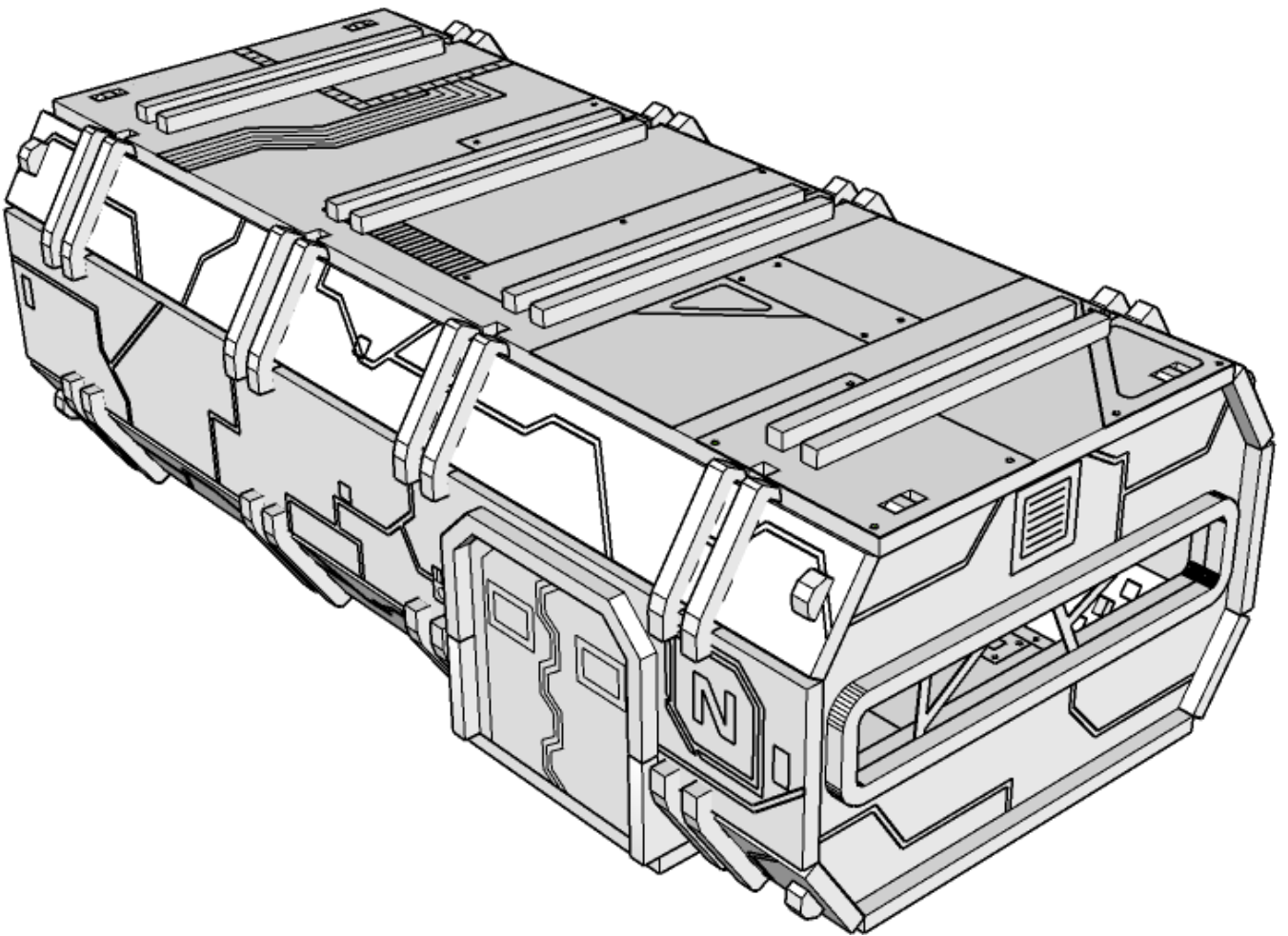


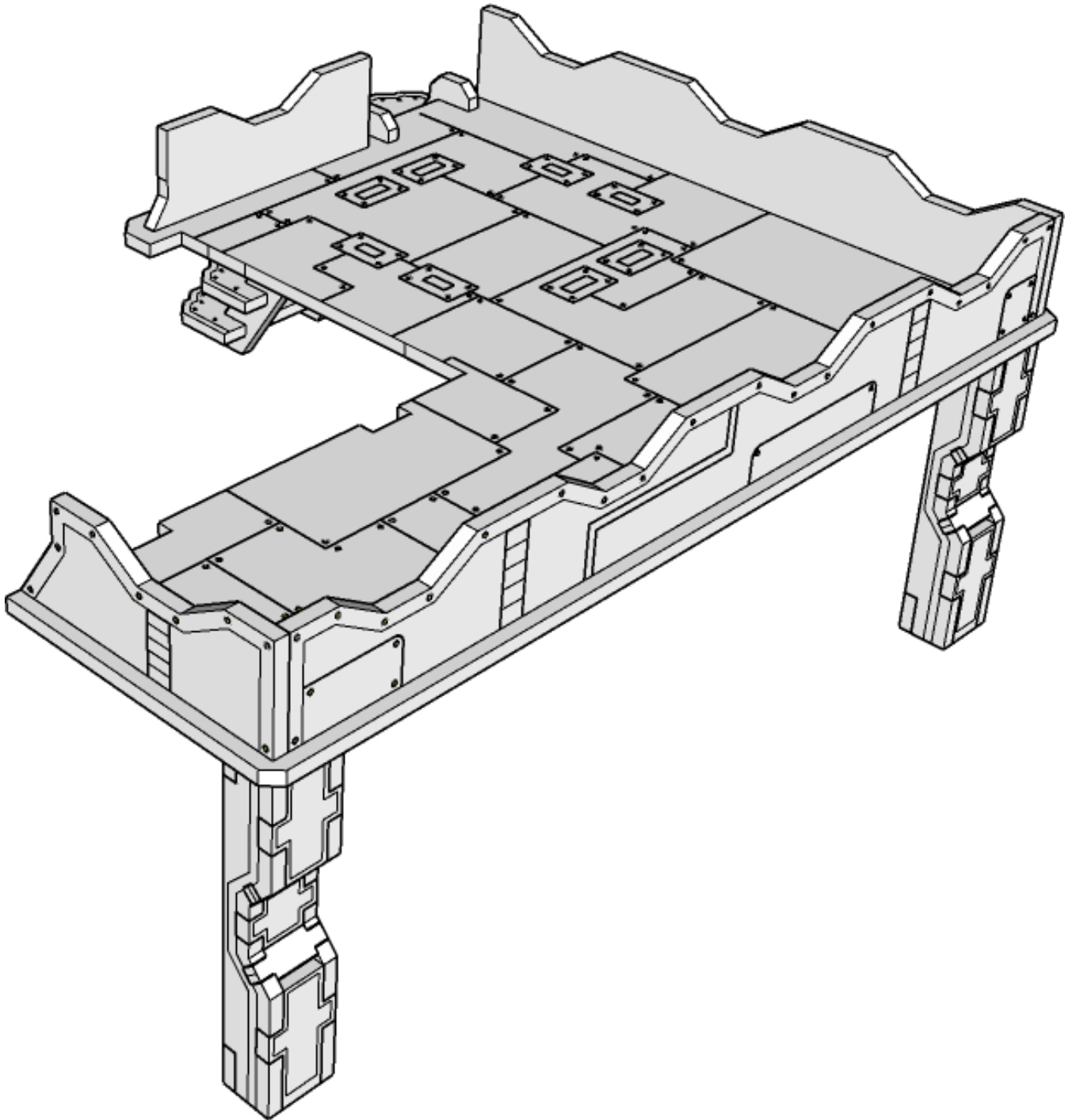


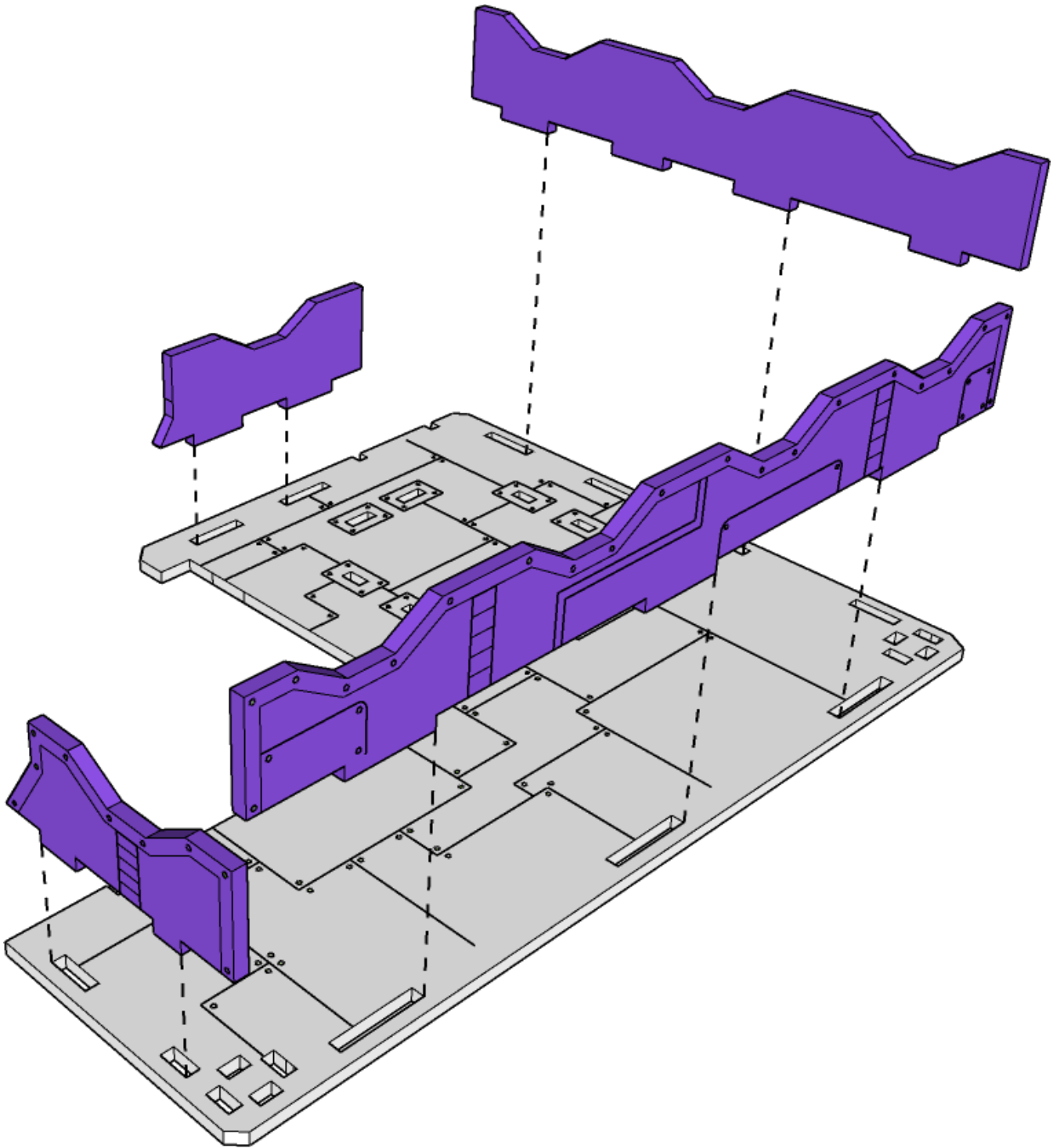


**TABLETOP  
SCENICS**

**TTSC-SFU-107  
Prefab Beta**



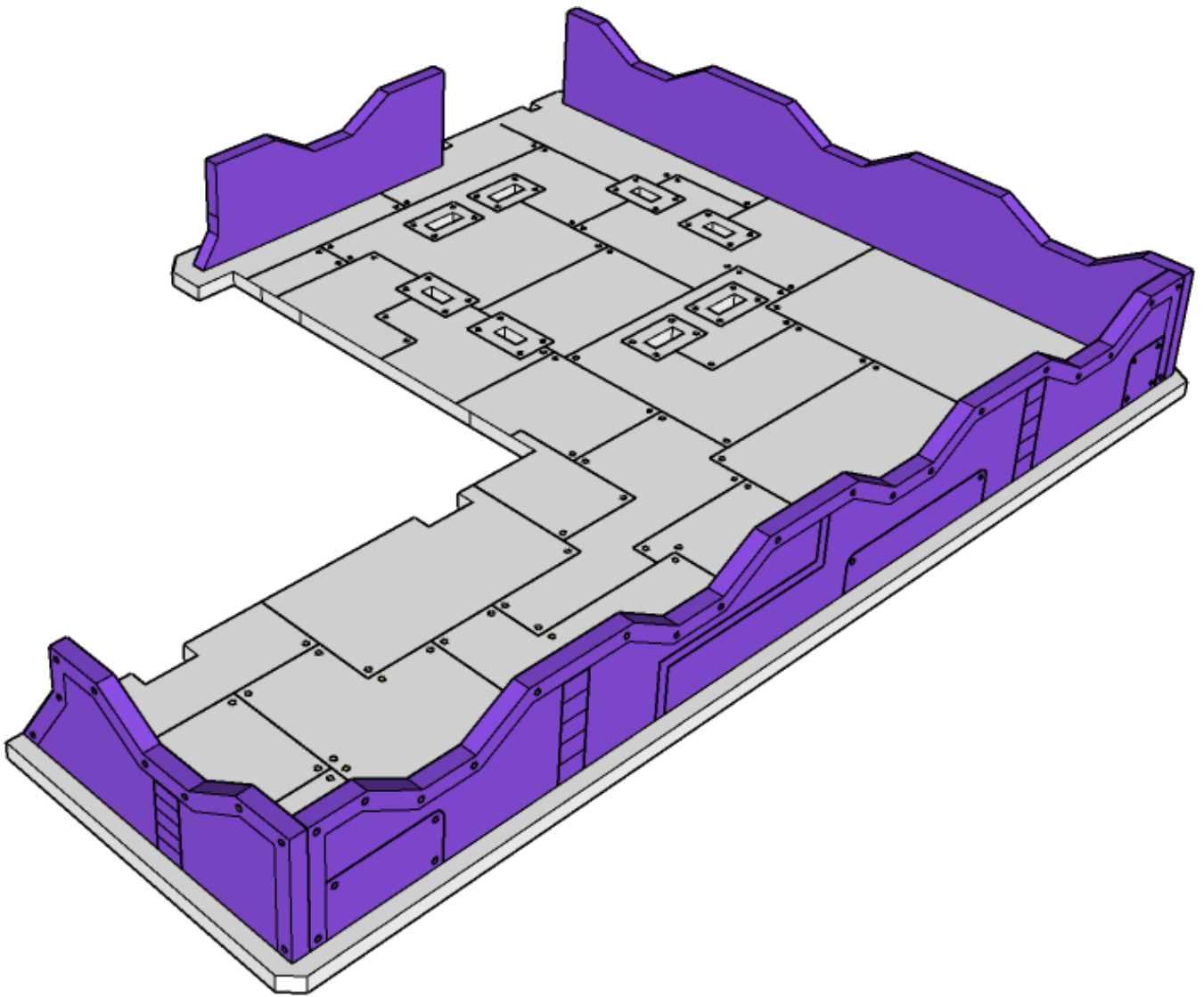


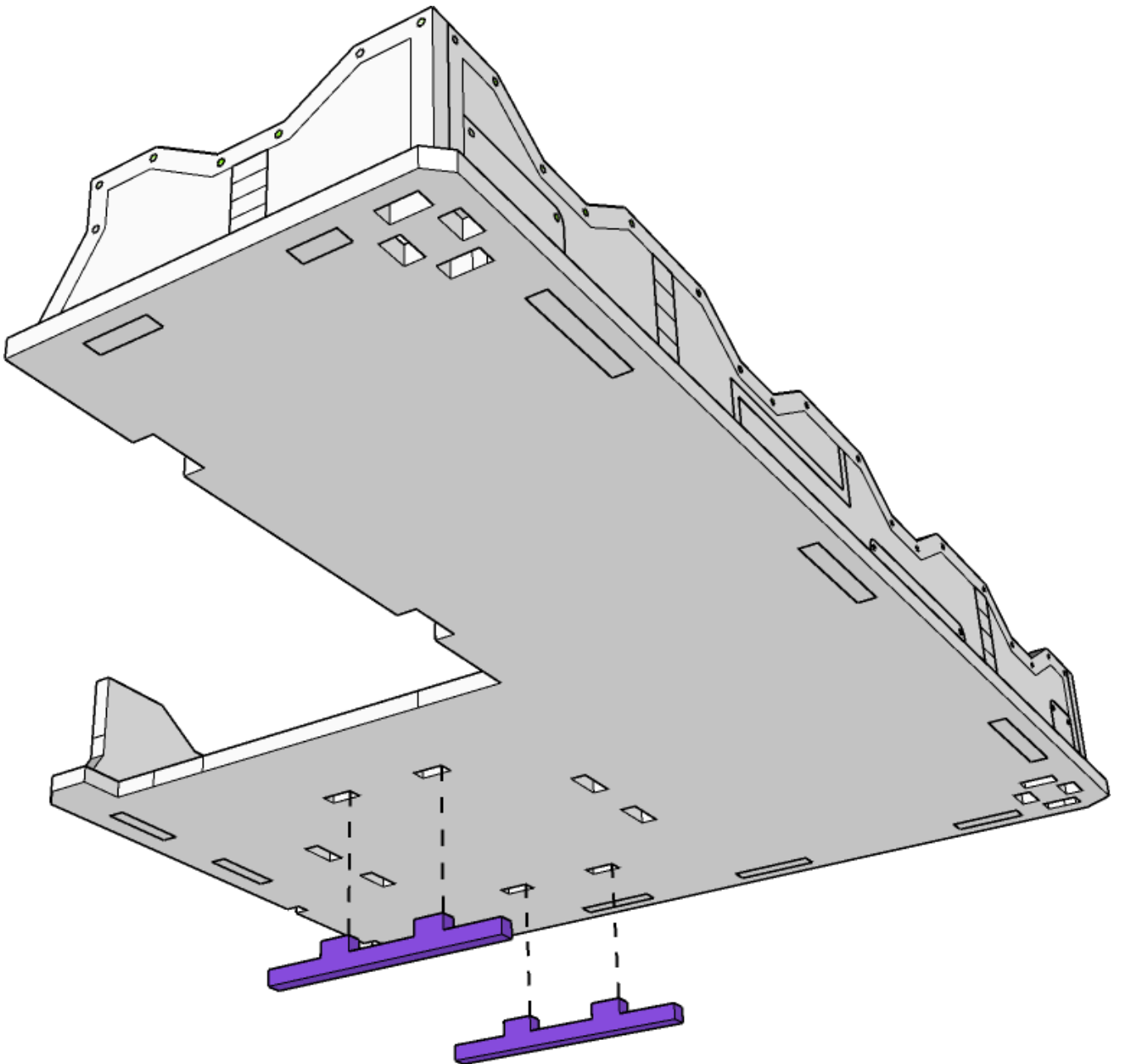




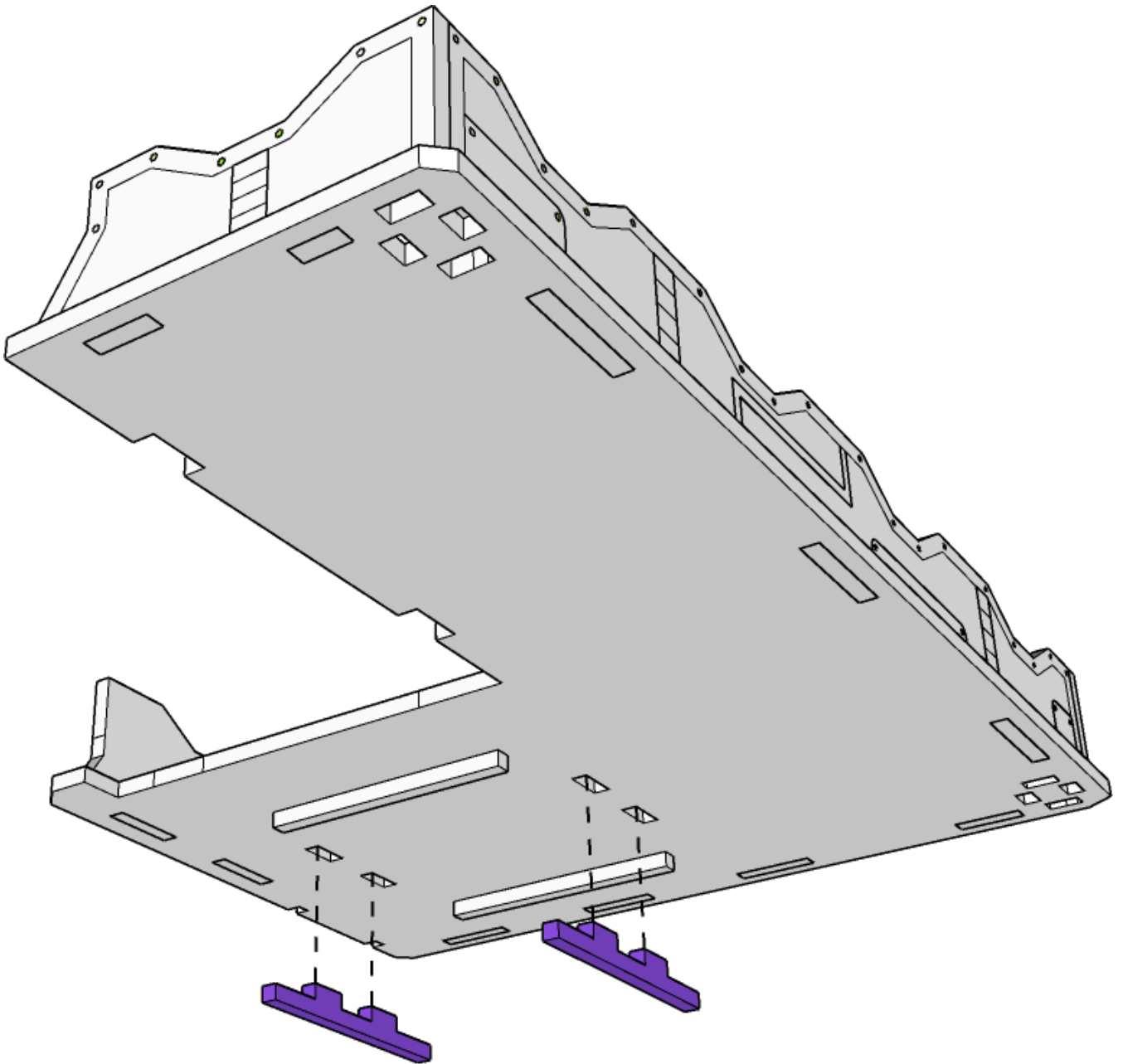
TABLETOP  
**SCENICS**

**TTSC-SFU-107**  
**Prefab Beta**

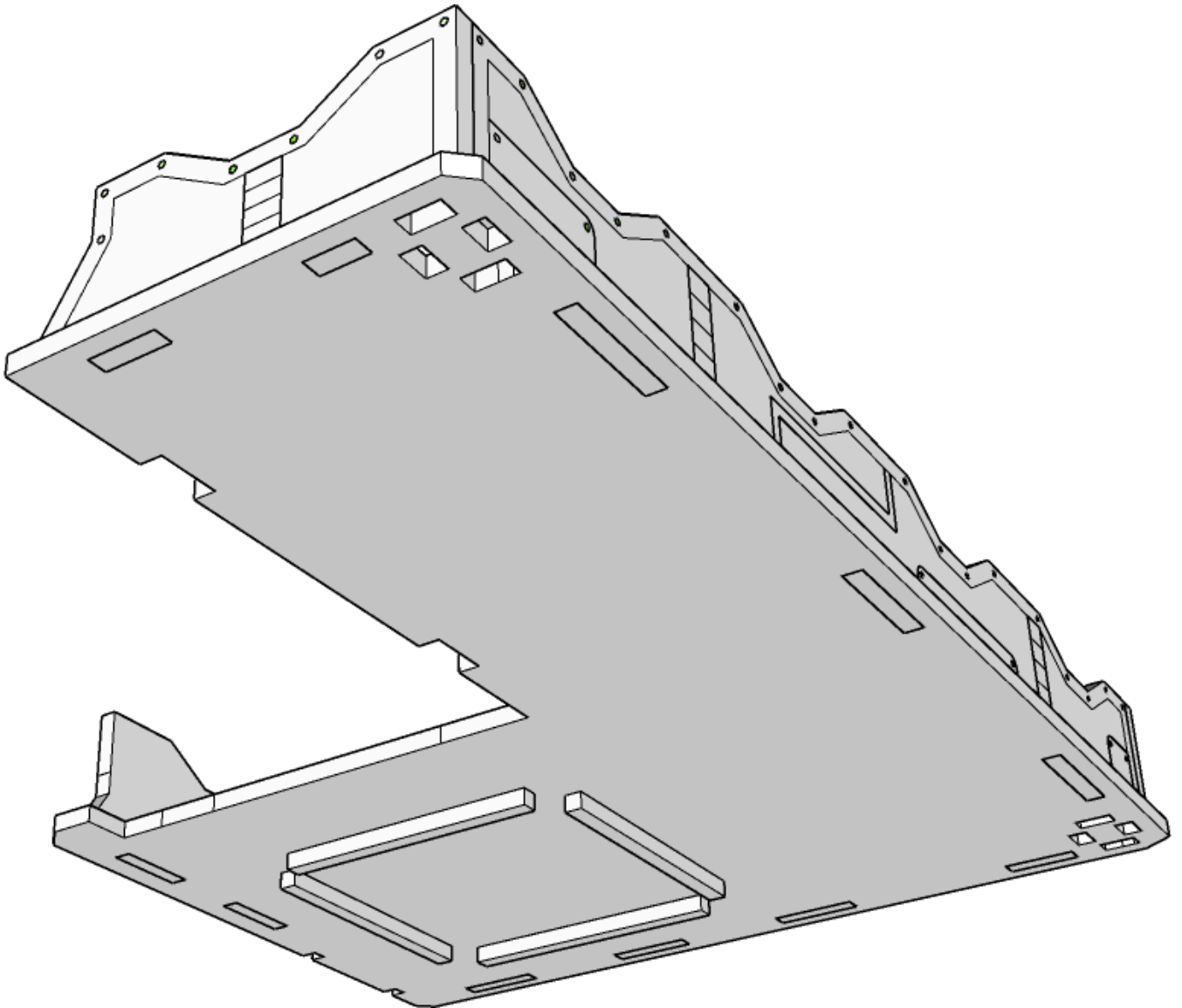


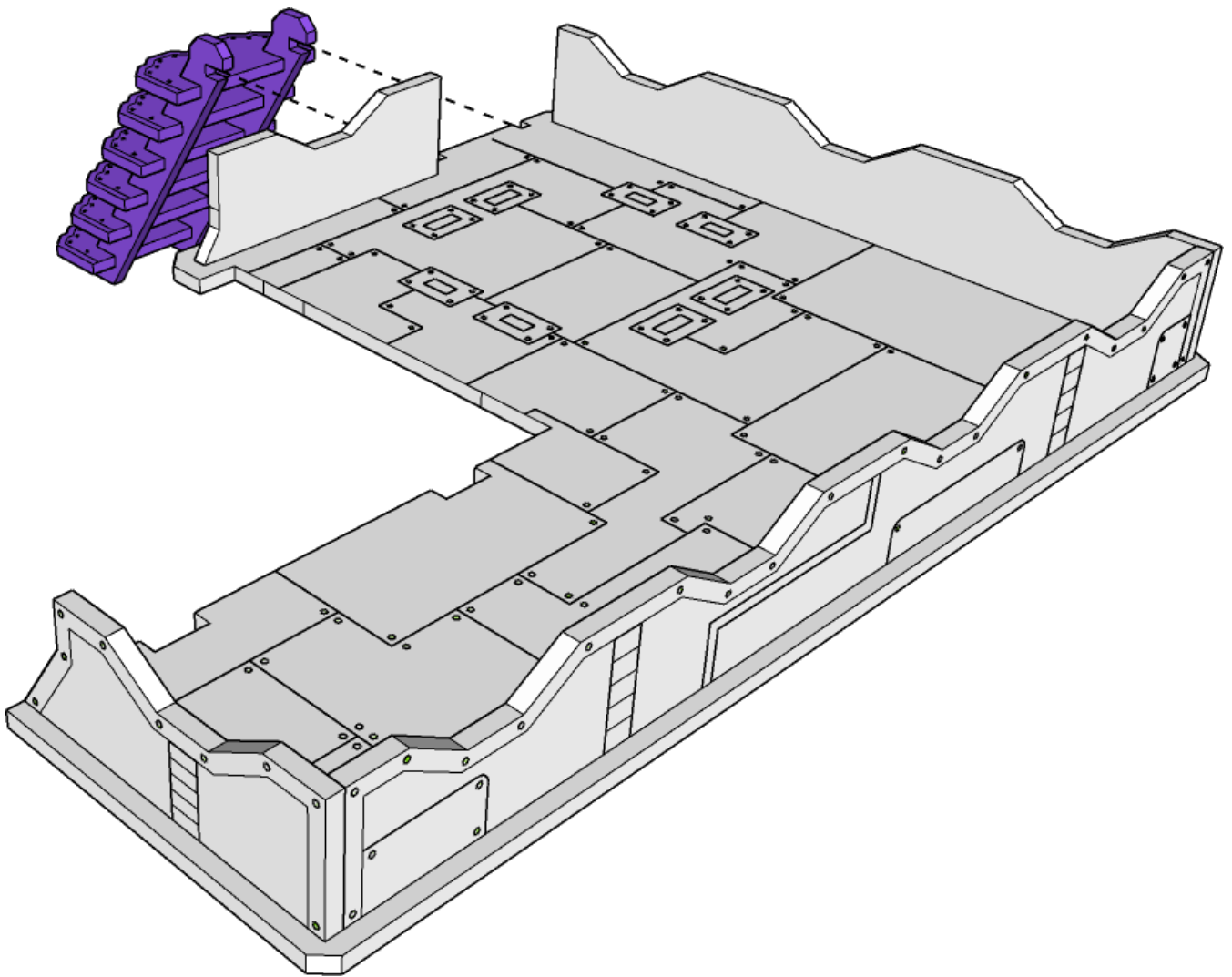


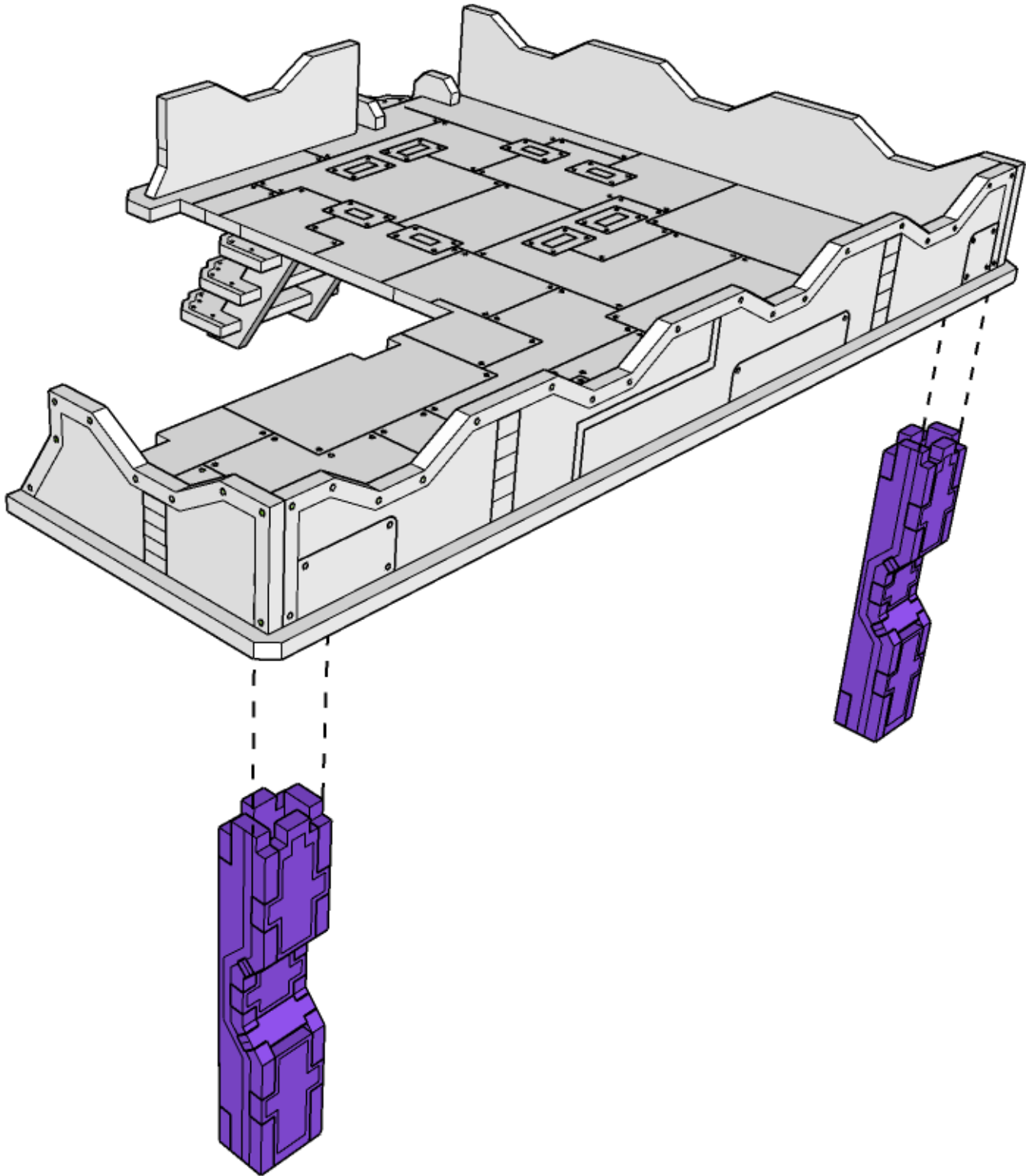








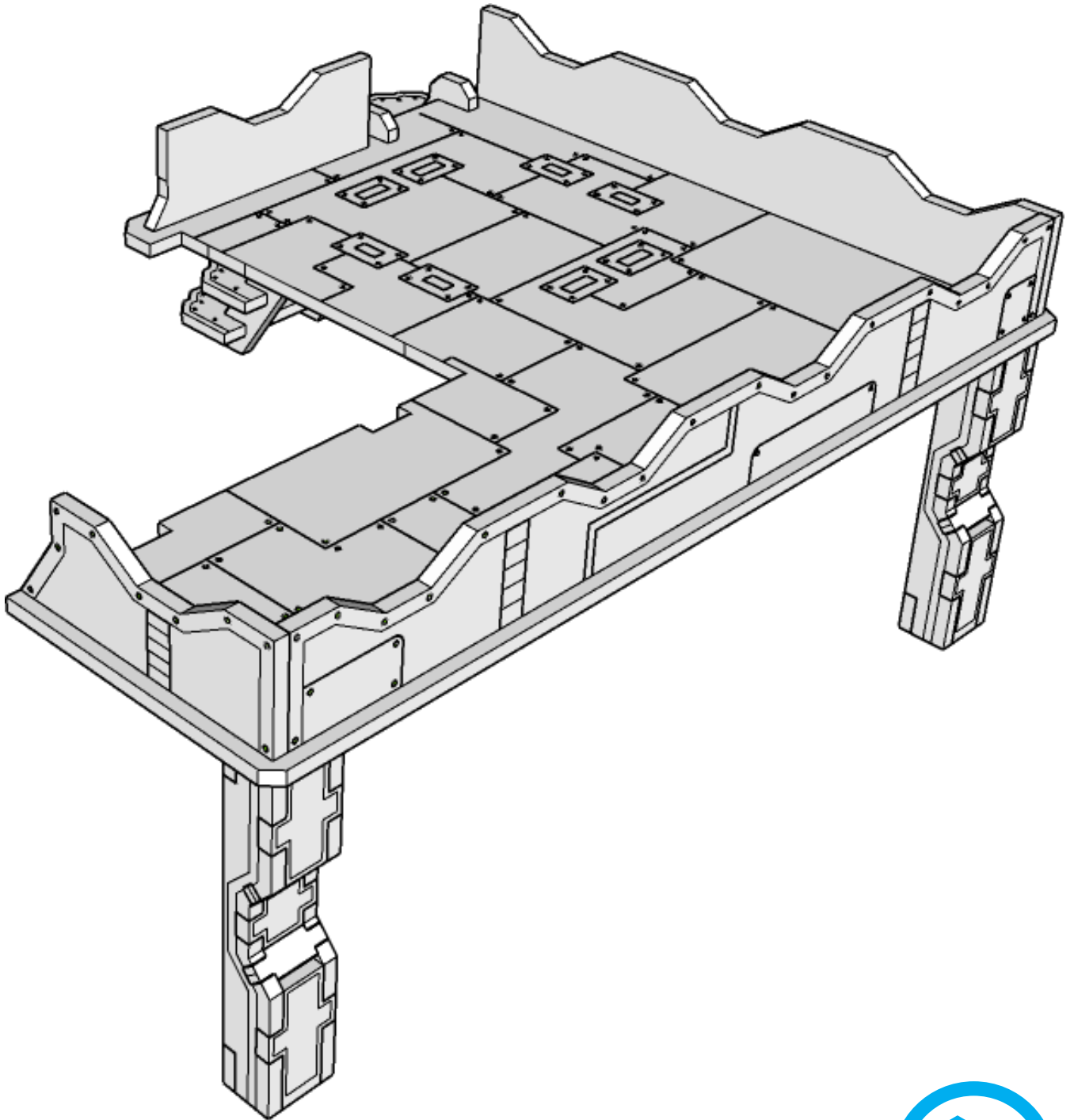




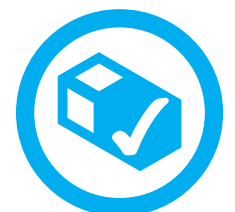


**TABLETOP  
SCENICS**

**TTSC-SFU-107  
Prefab Beta**



**76**

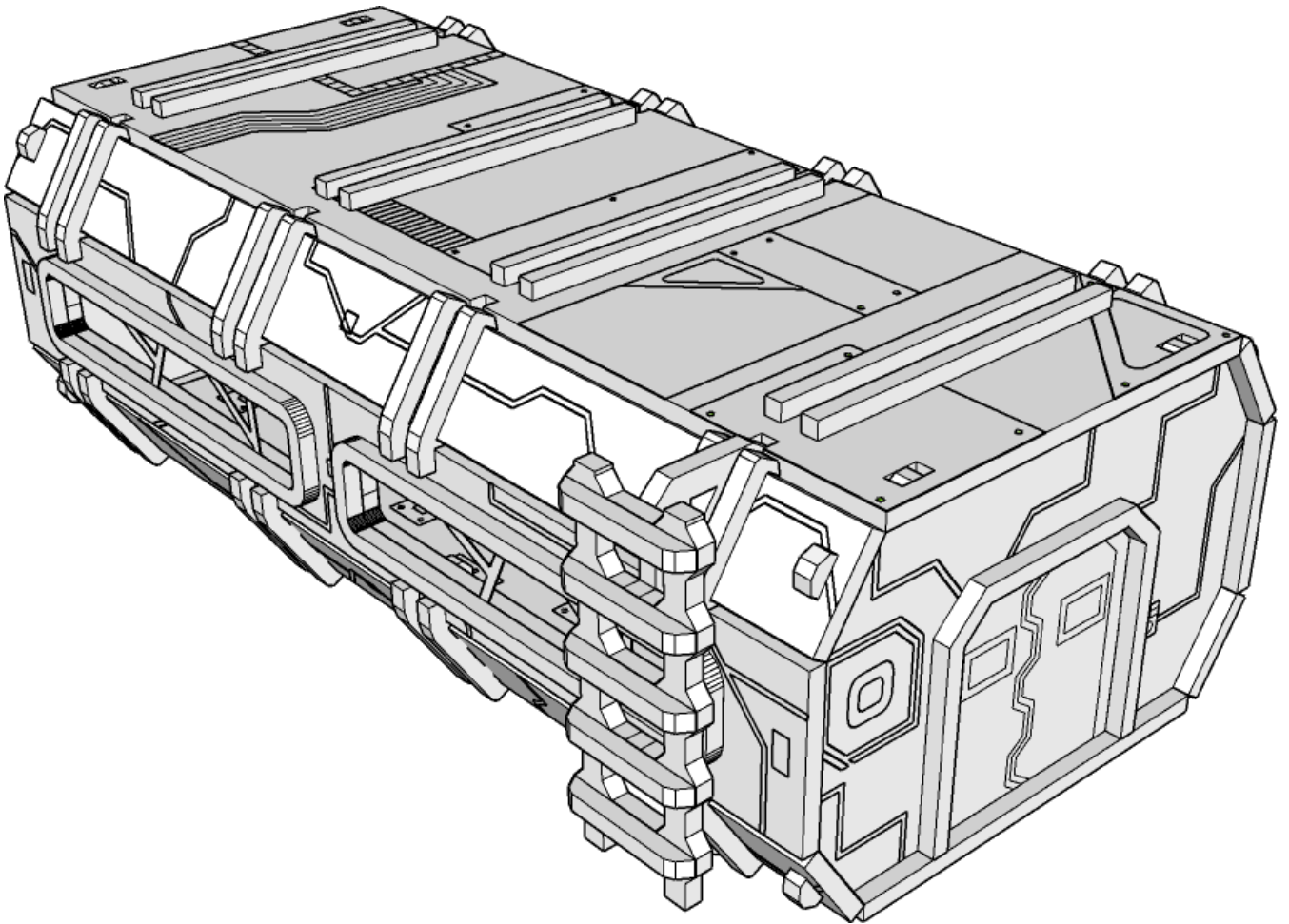


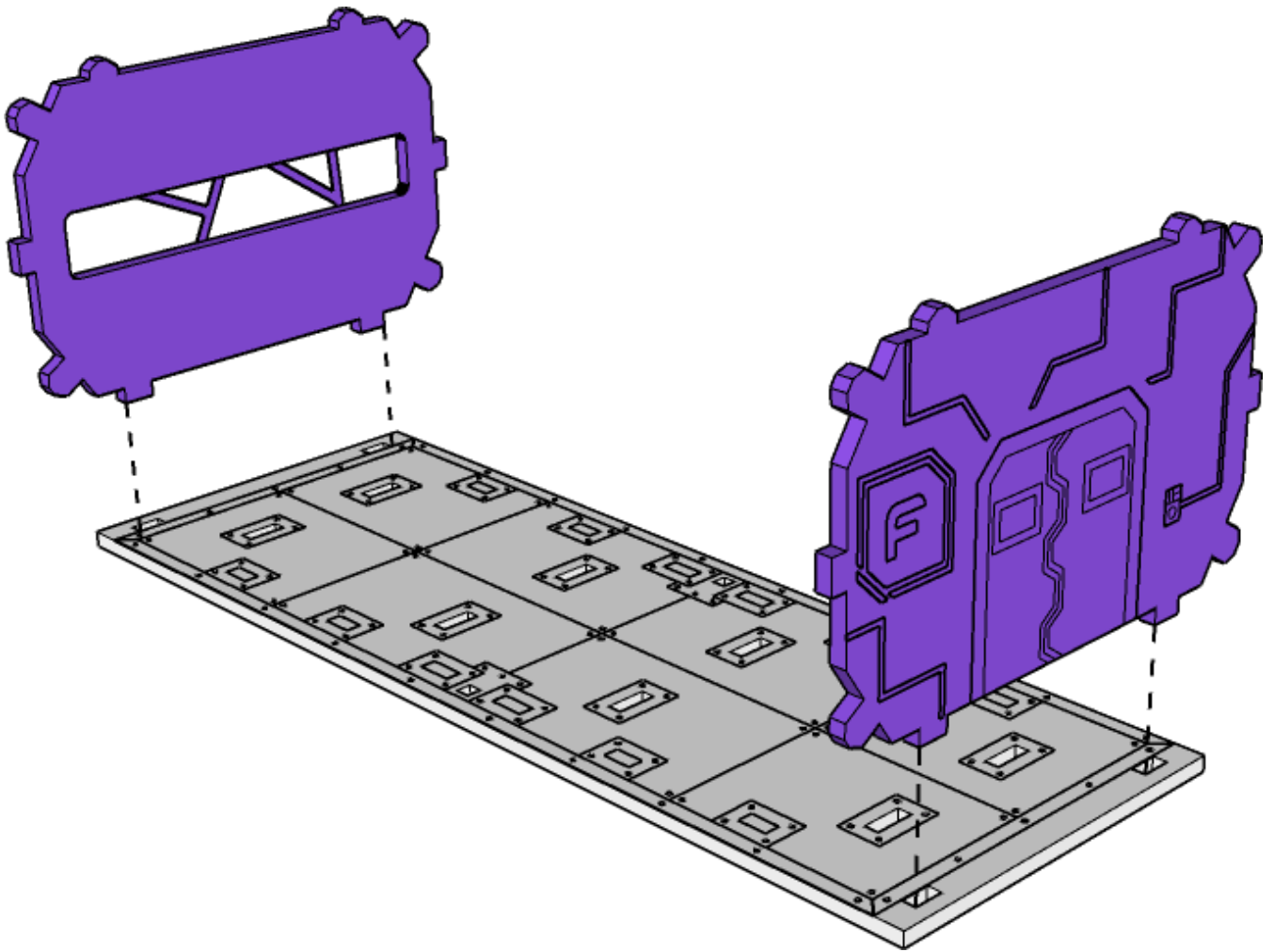
 **TTCOMBAT**

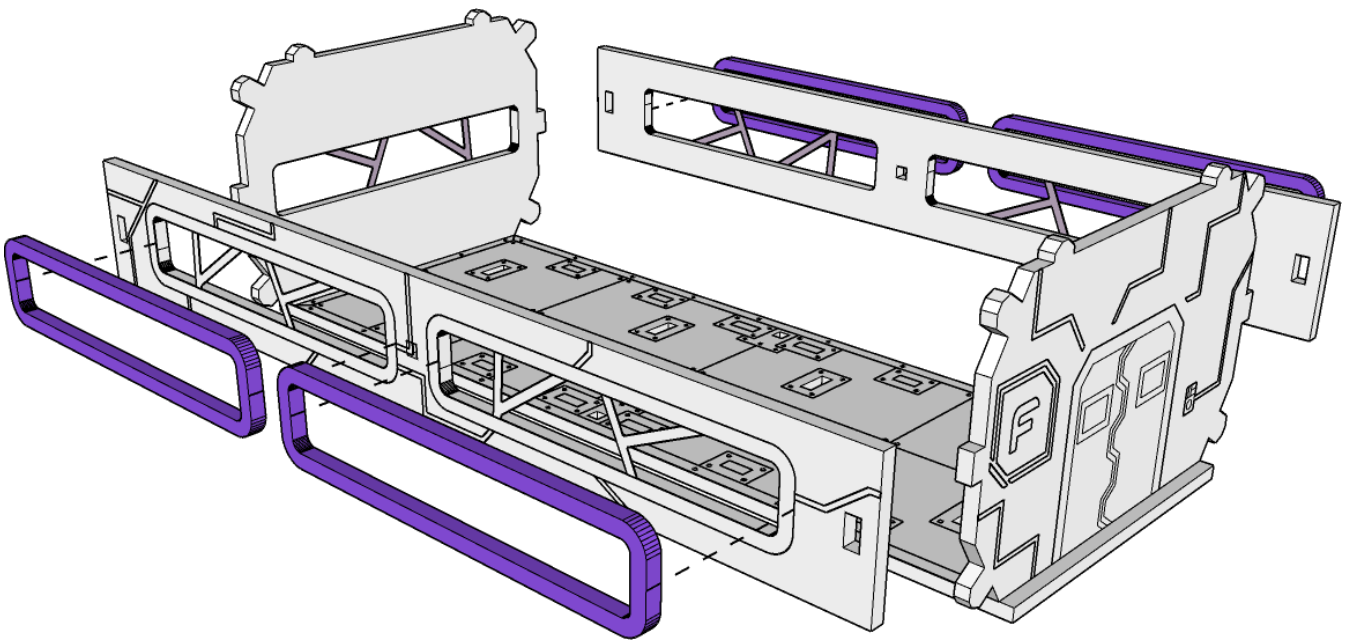


**TABLETOP  
SCENICS**

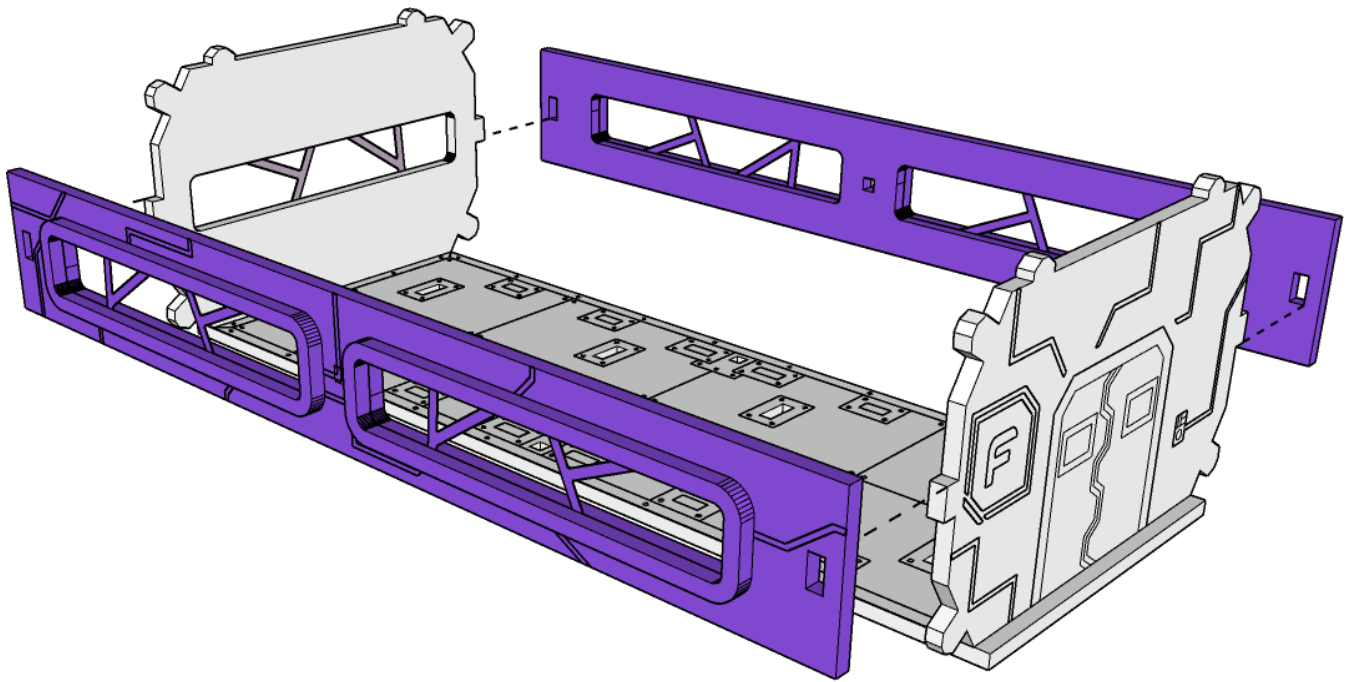
**TTSC-SFU-107  
Prefab Beta**



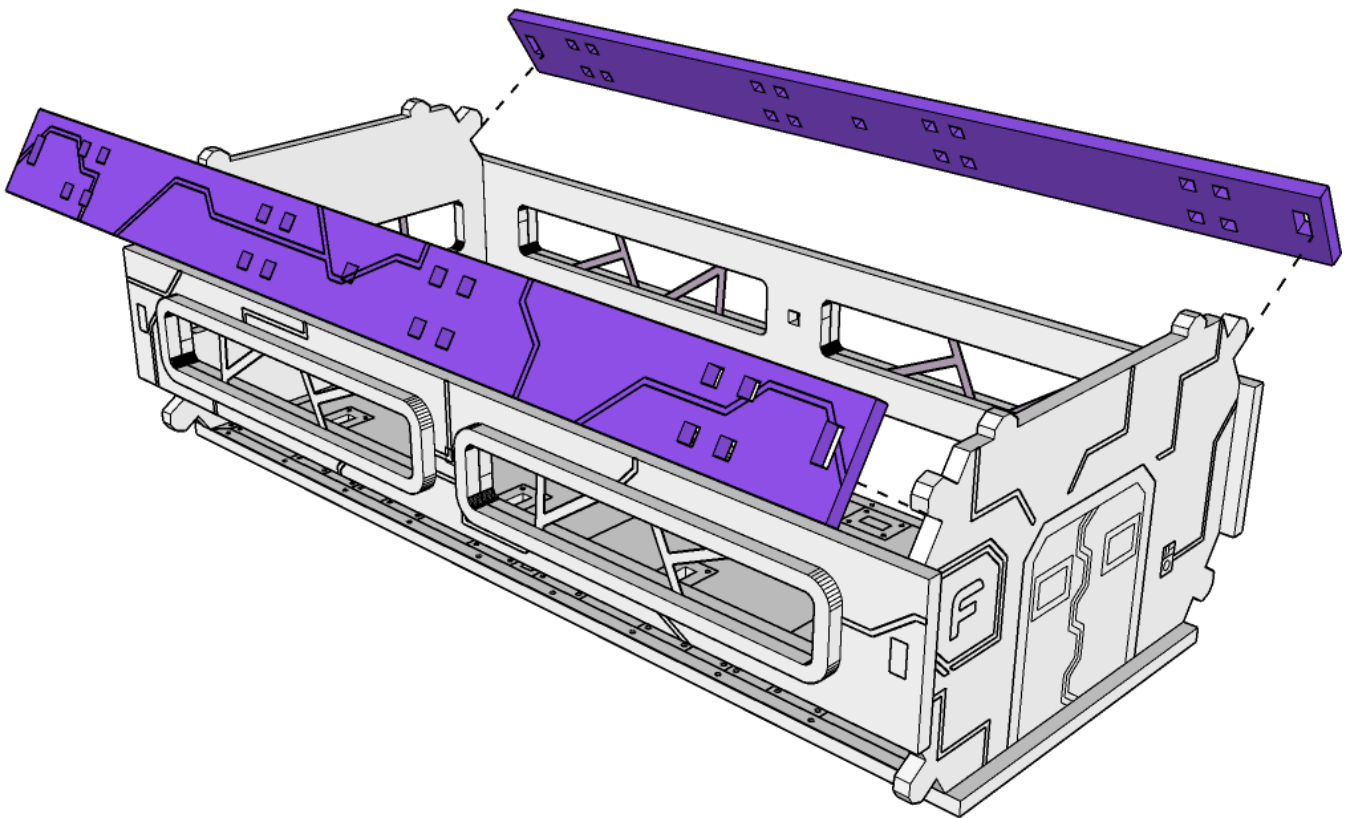


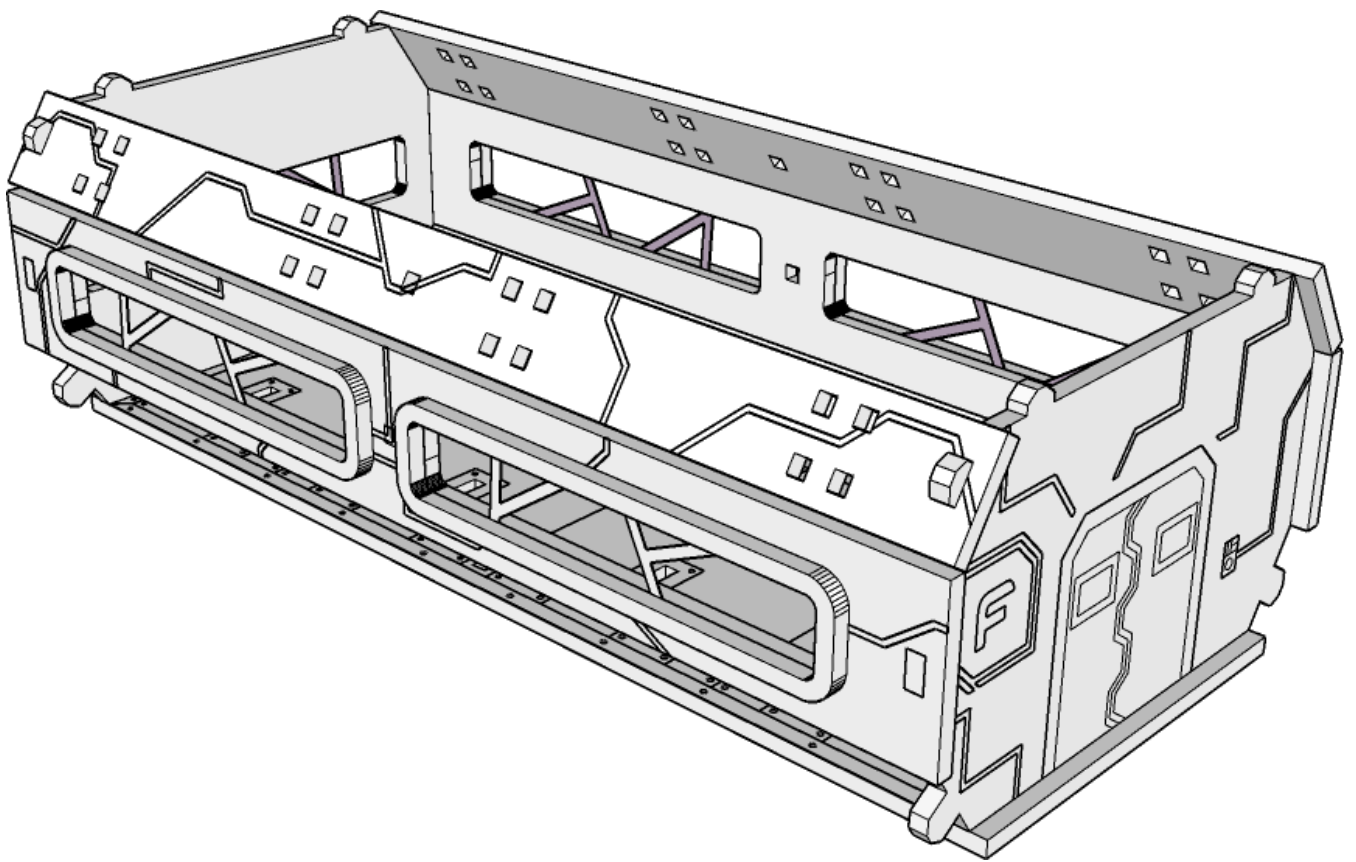


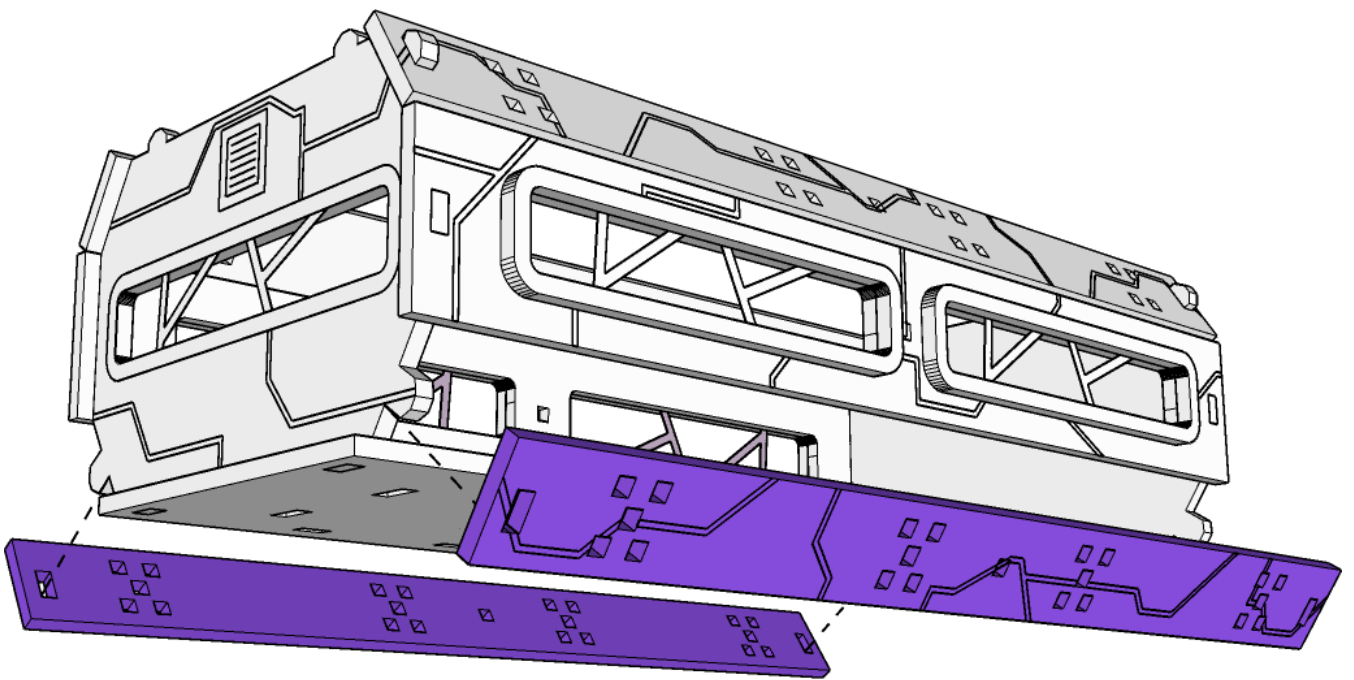


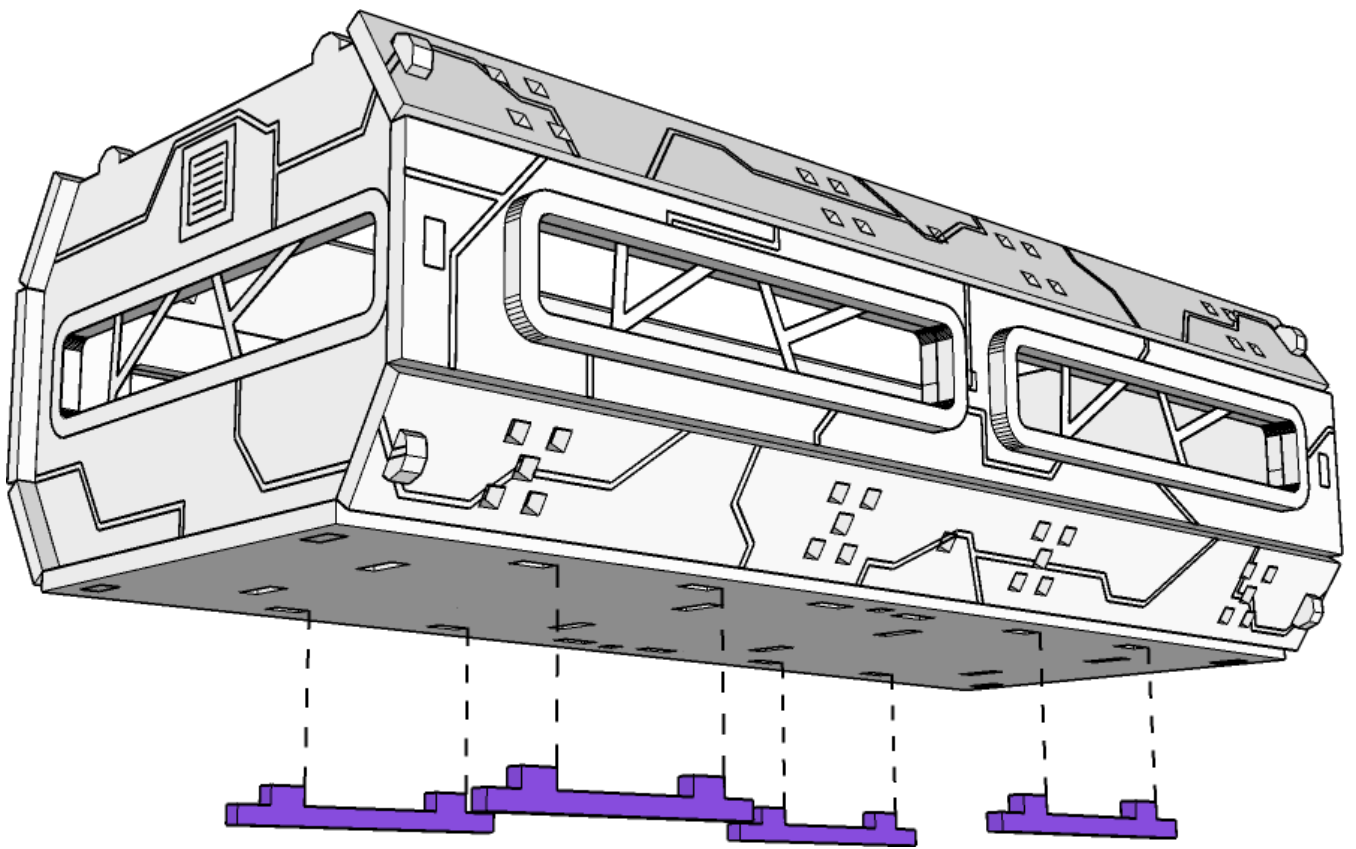


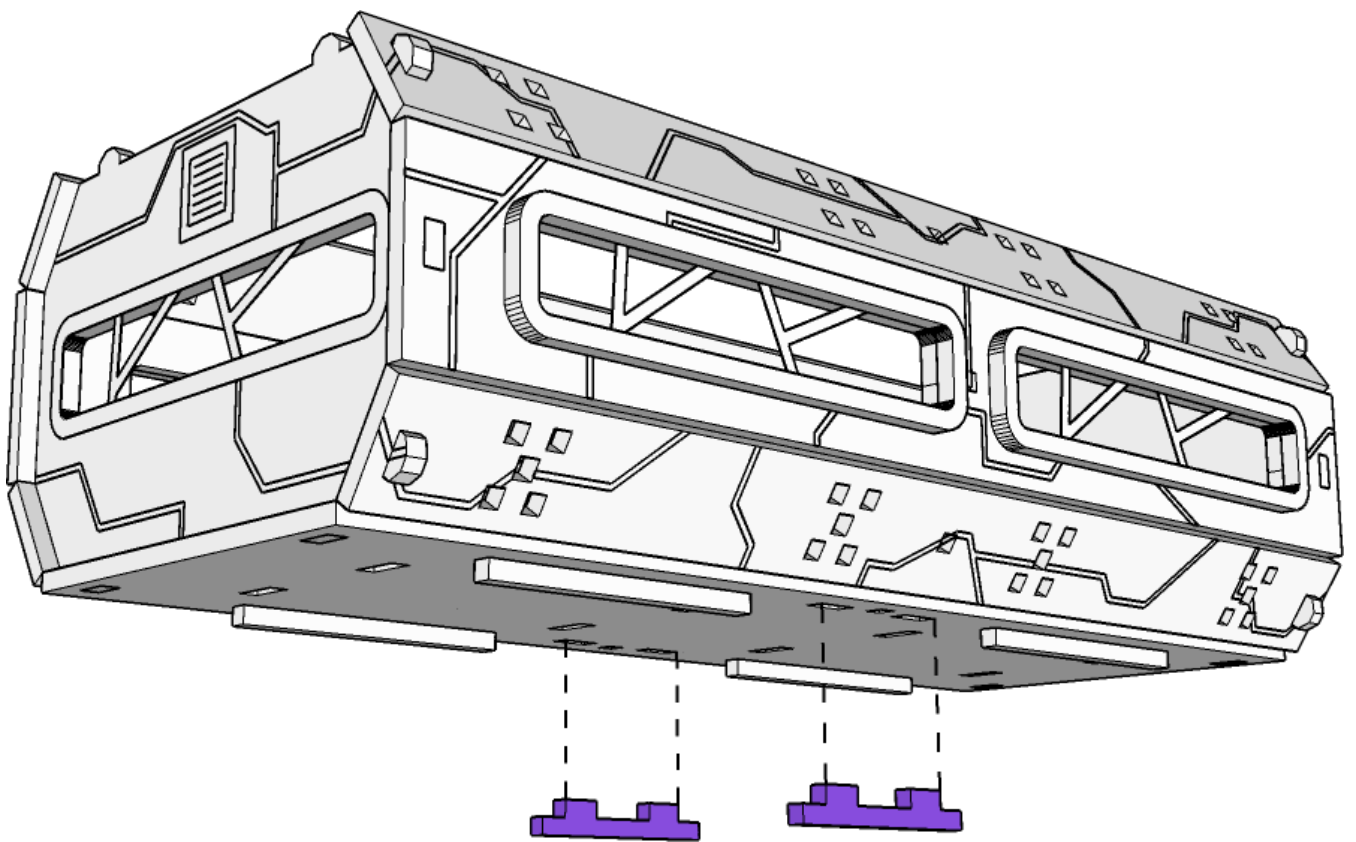


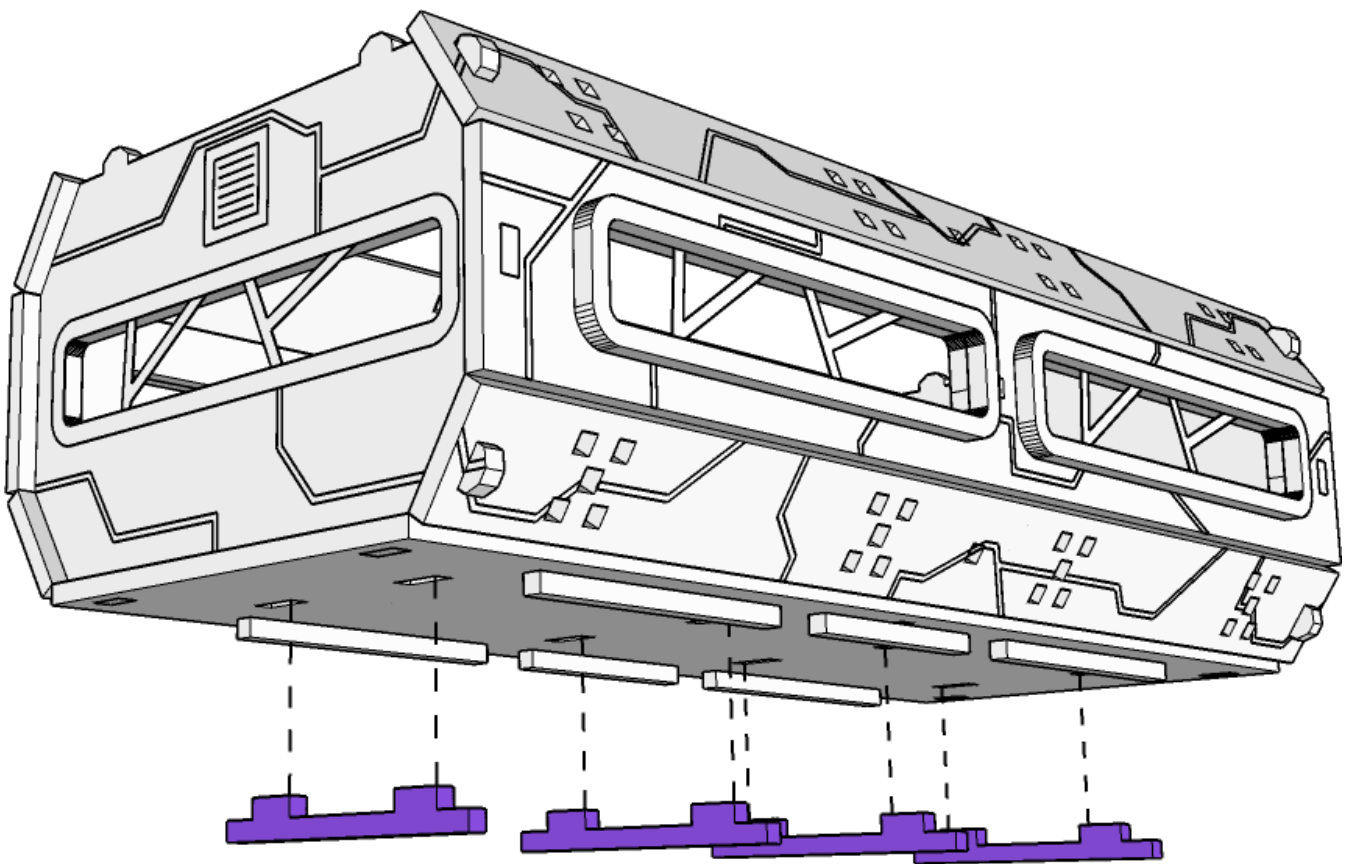








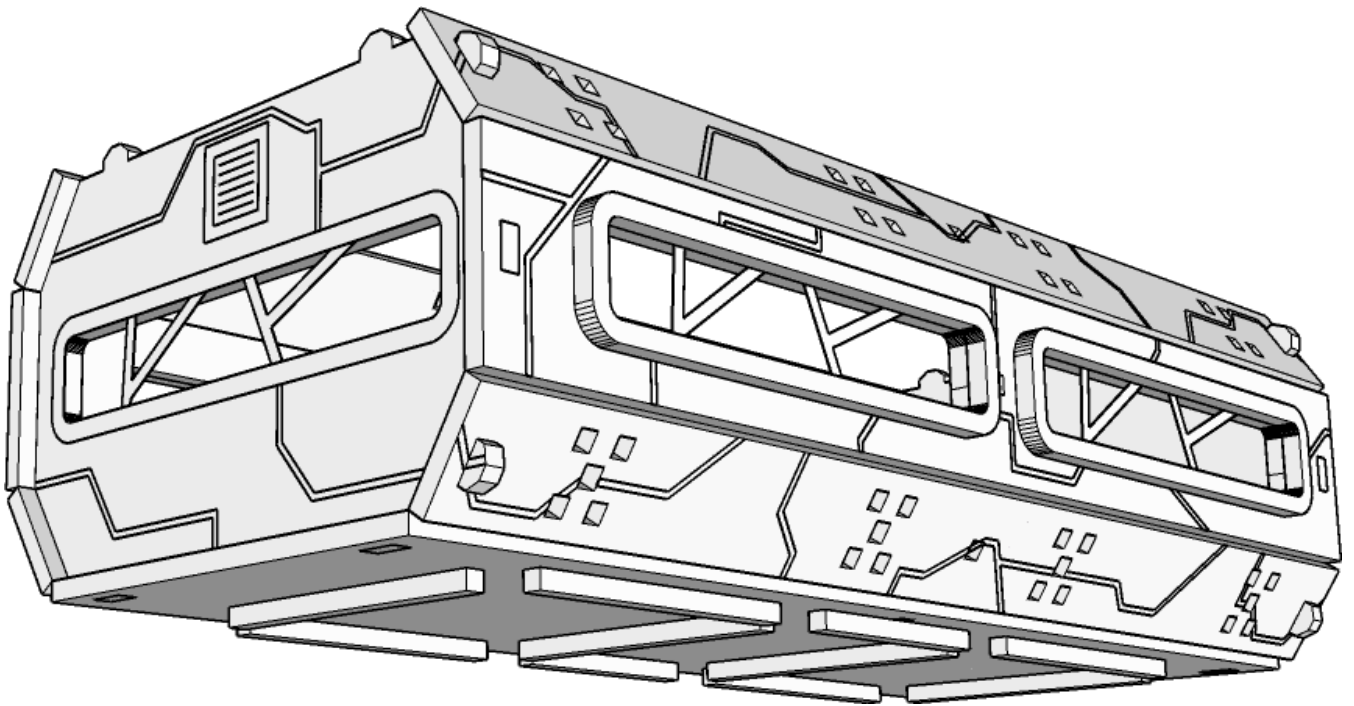




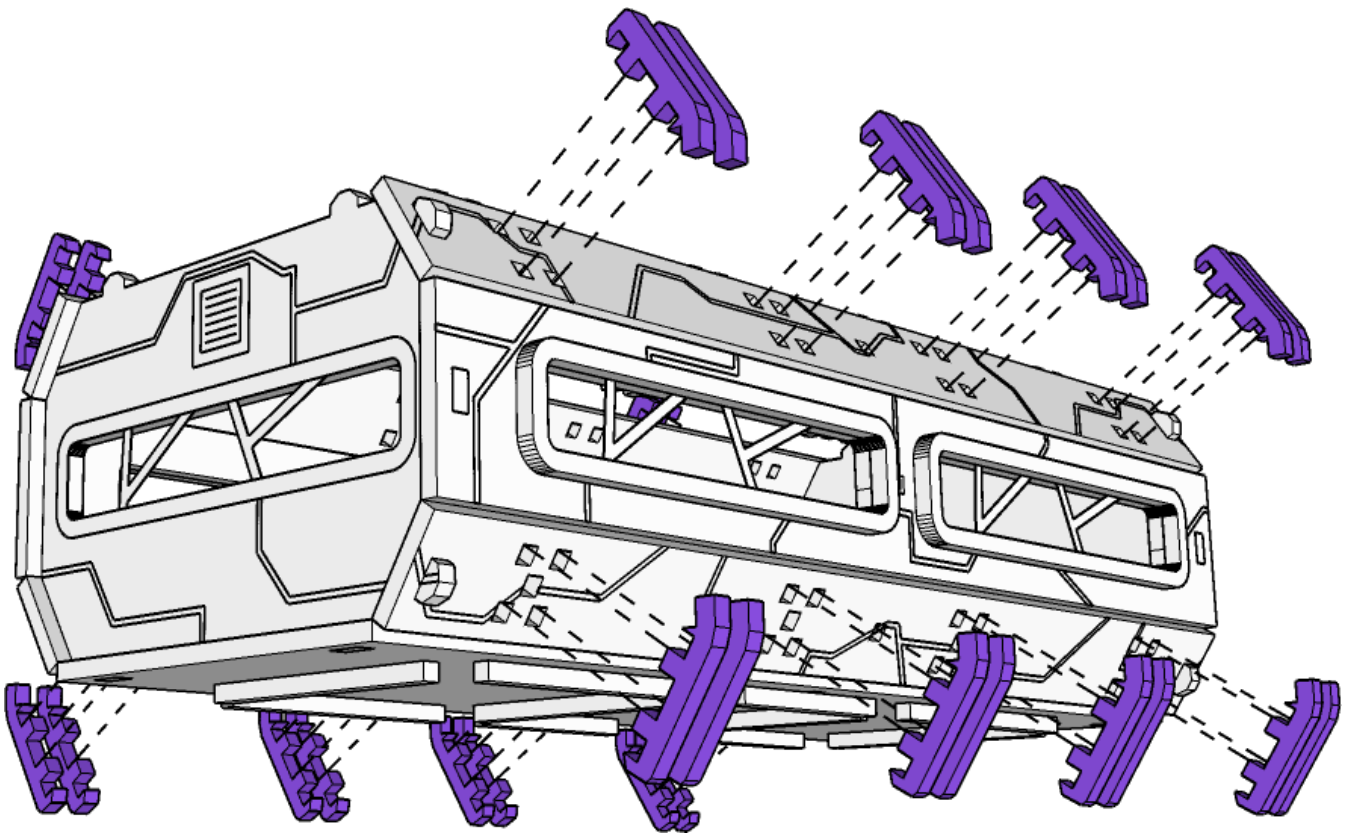


**TABLETOP  
SCENICS**

**TTSC-SFU-107  
Prefab Beta**





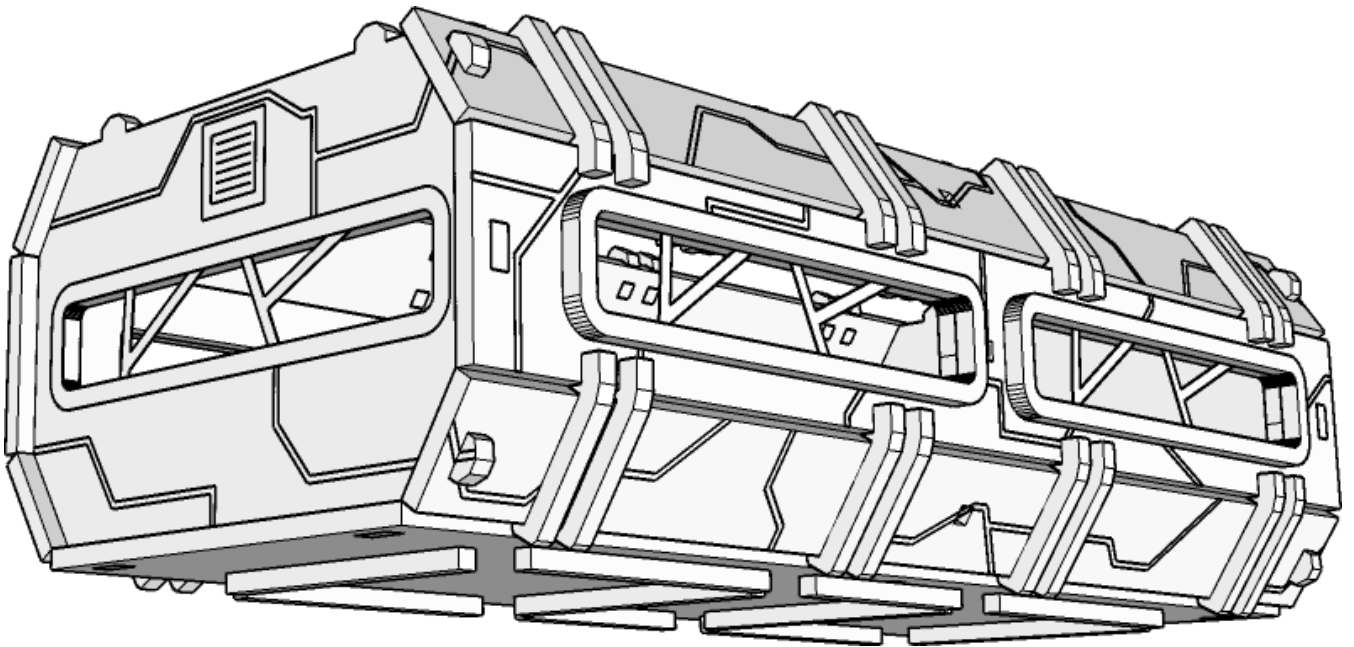


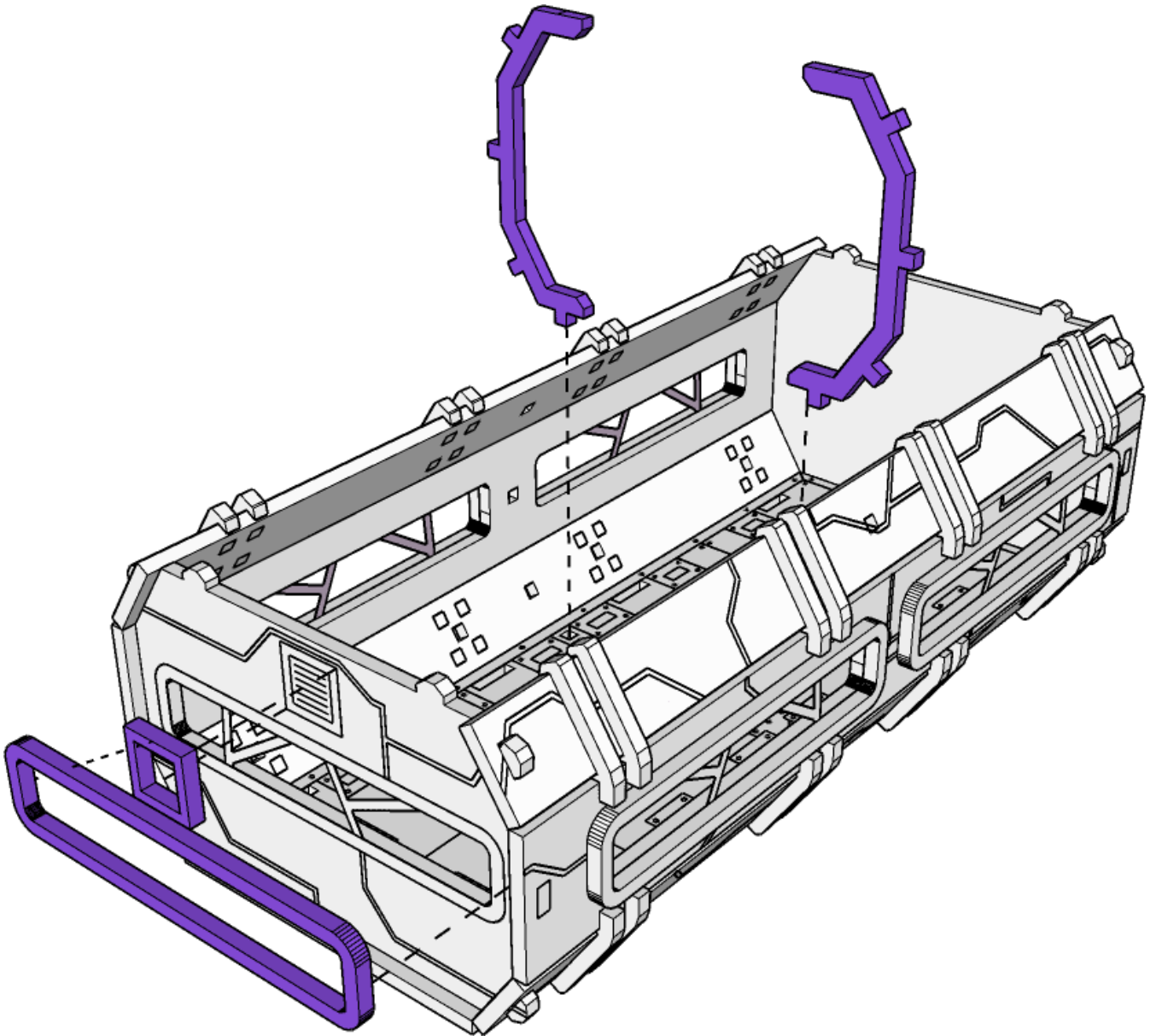


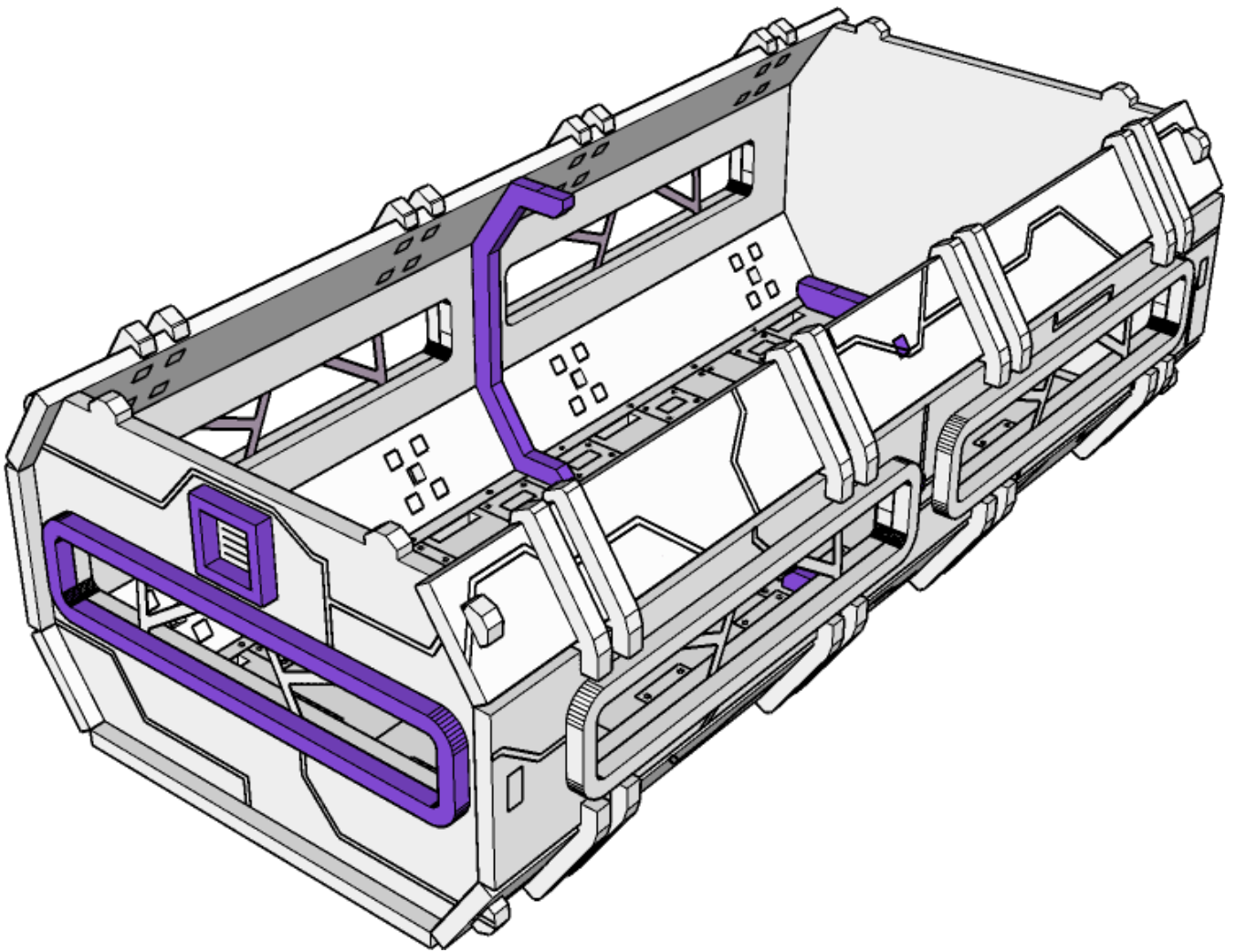


**TABLETOP  
SCENICS**

**TTSC-SFU-107  
Prefab Beta**



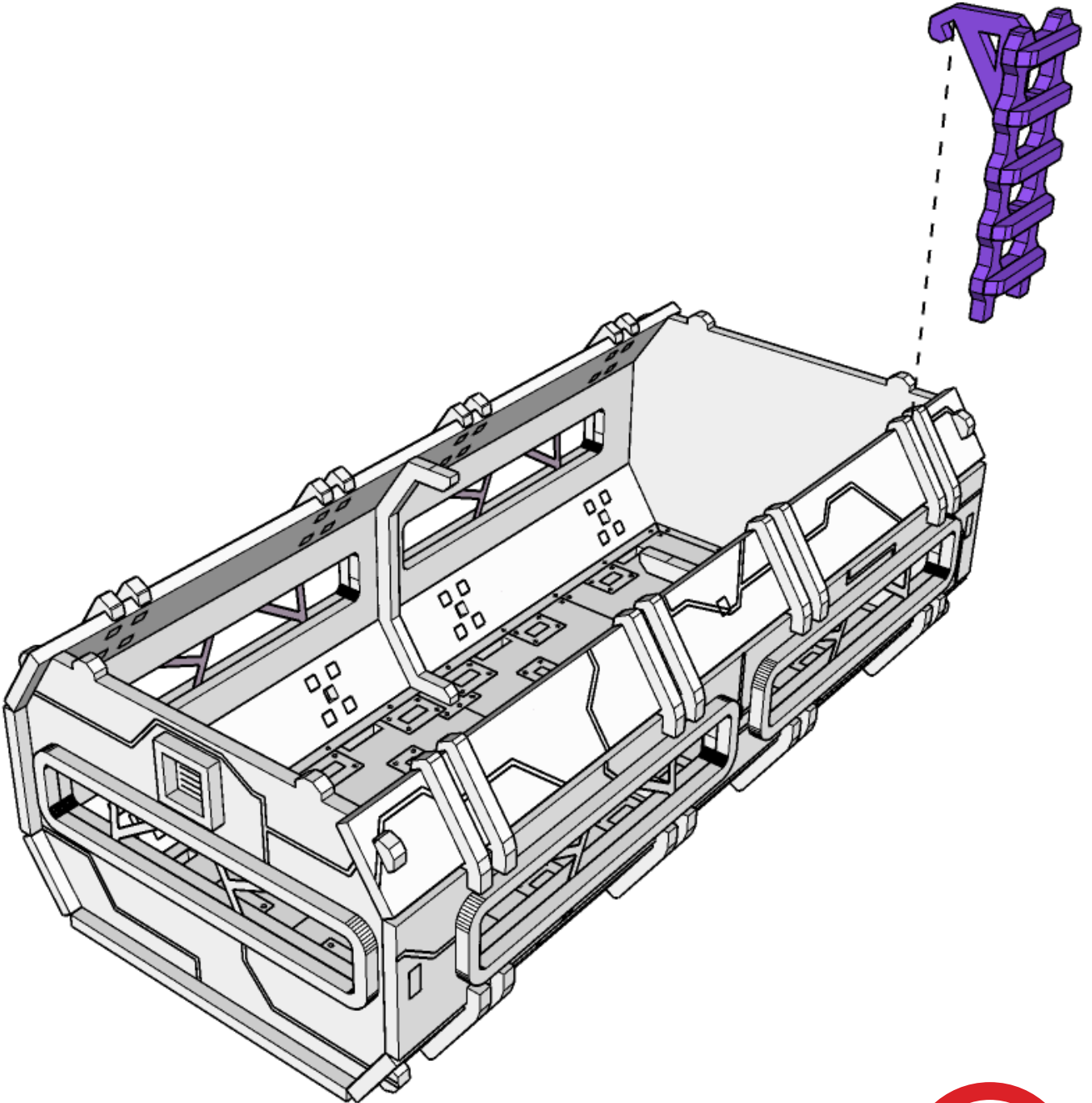


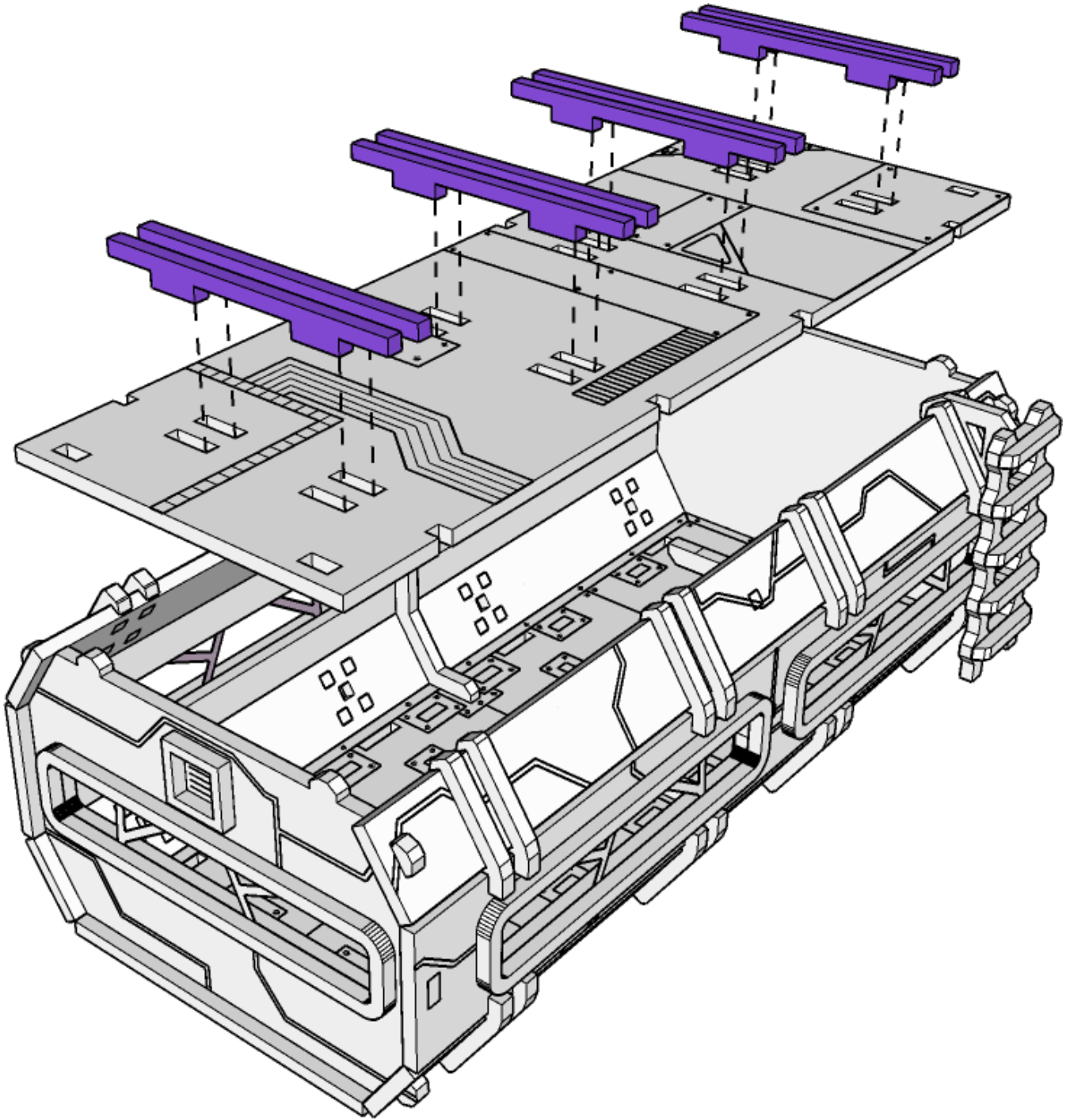




TABLETOP  
**SCENICS**

**TTSC-SFU-107**  
**Prefab Beta**



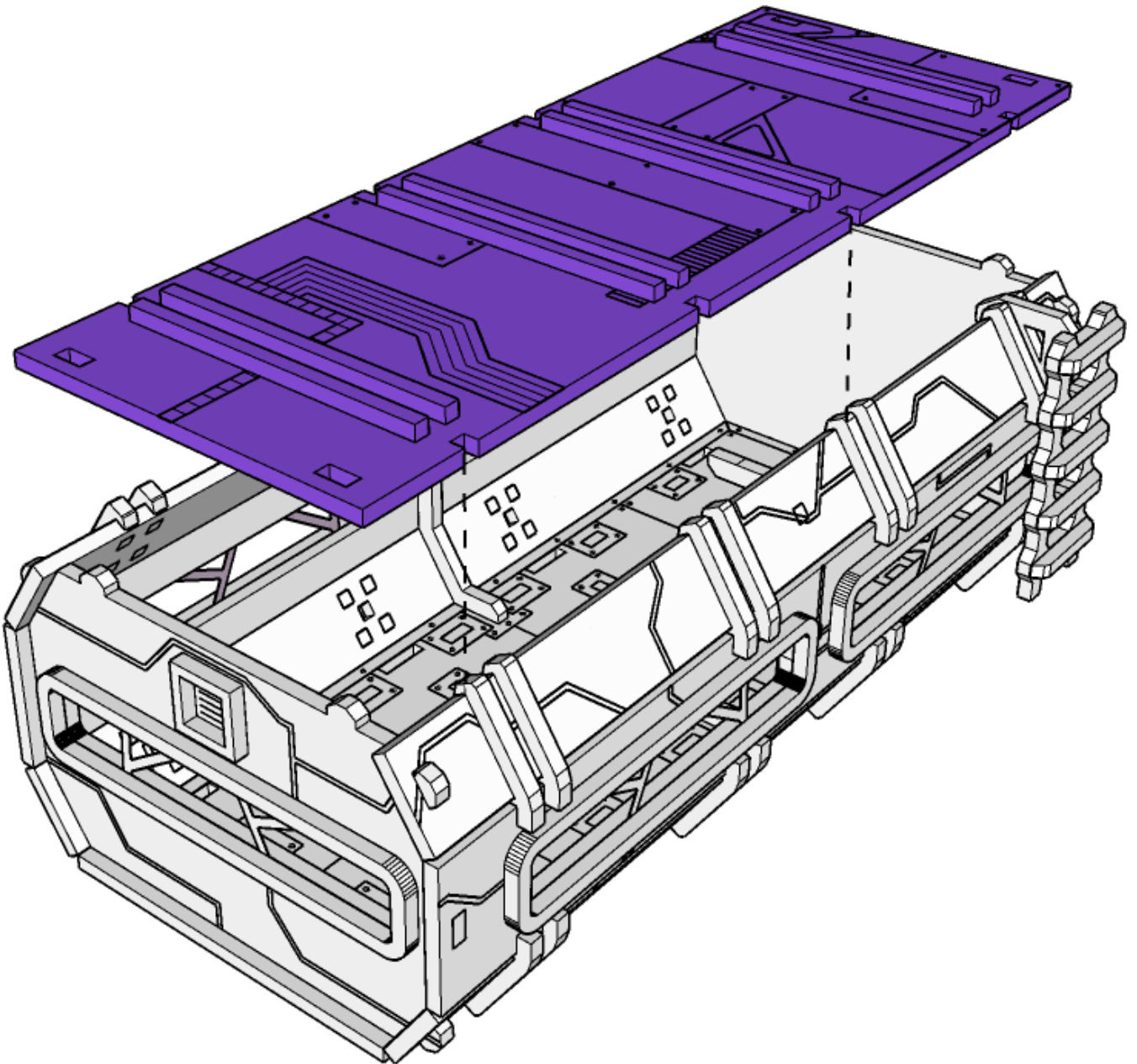






TABLETOP  
**SCENICS**

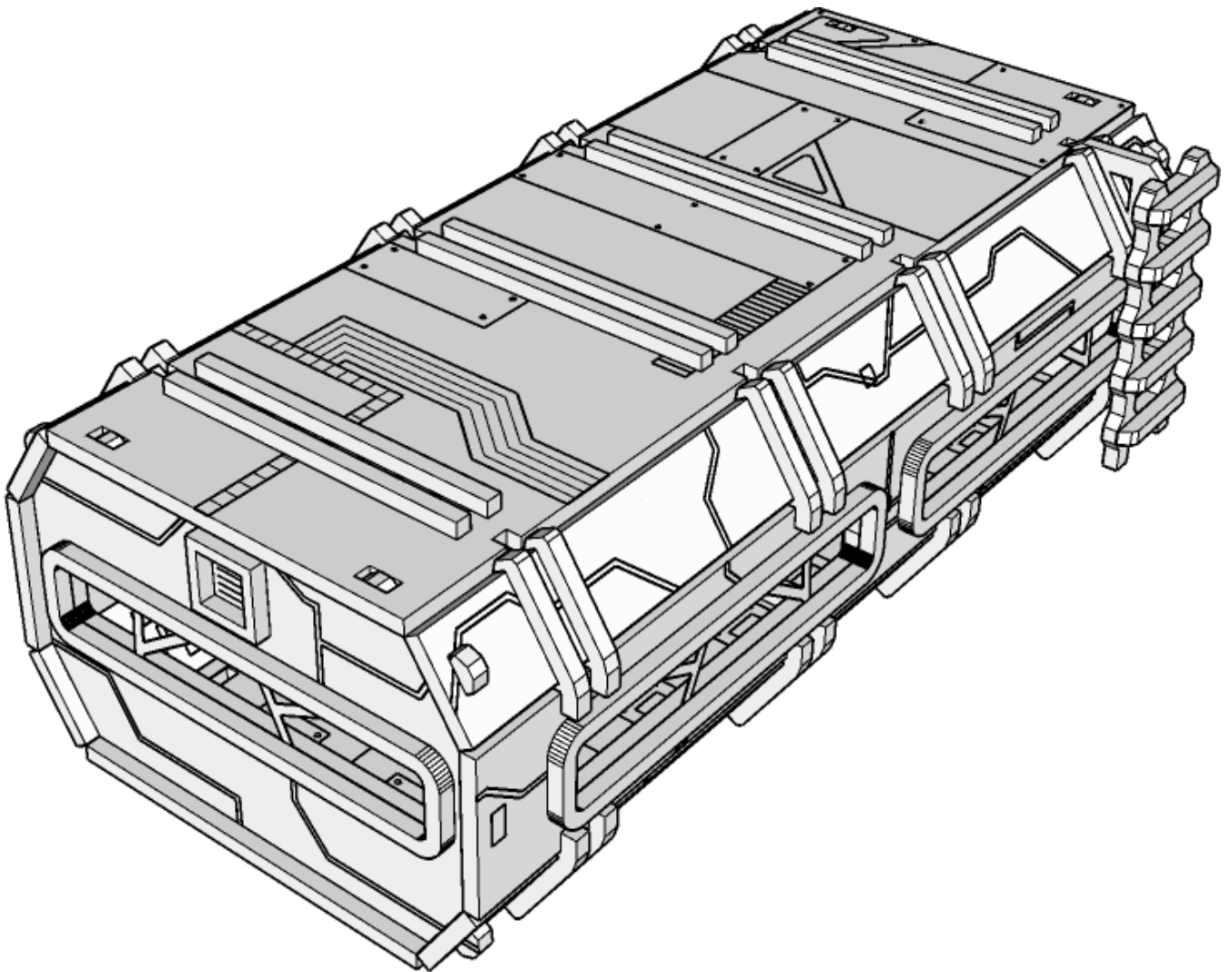
**TTSC-SFU-107**  
**Prefab Beta**





**TABLETOP  
SCENICS**

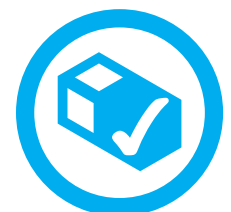
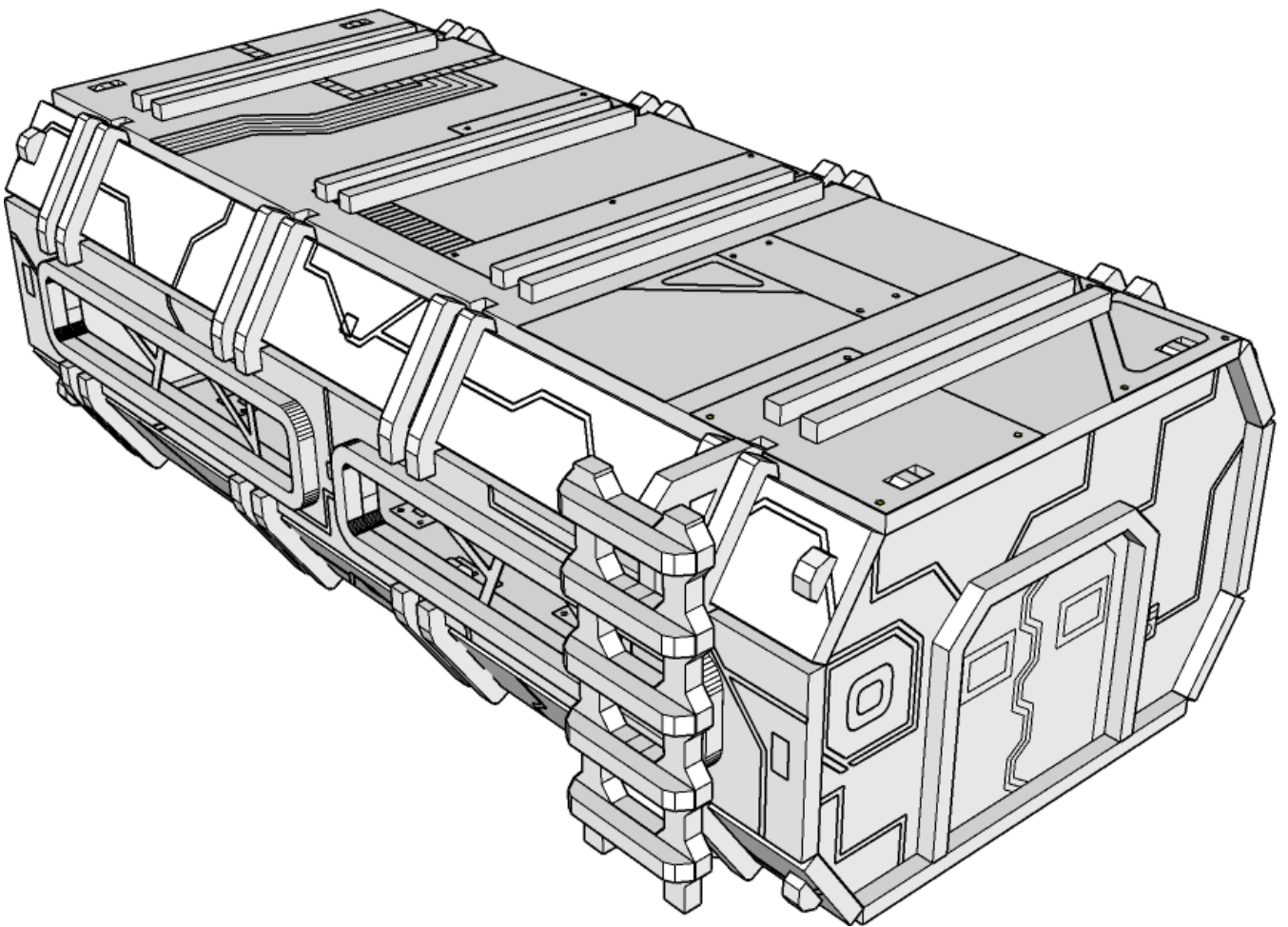
**TTSC-SFU-107  
Prefab Beta**





**TABLETOP  
SCENICS**

**TTSC-SFU-107  
Prefab Beta**

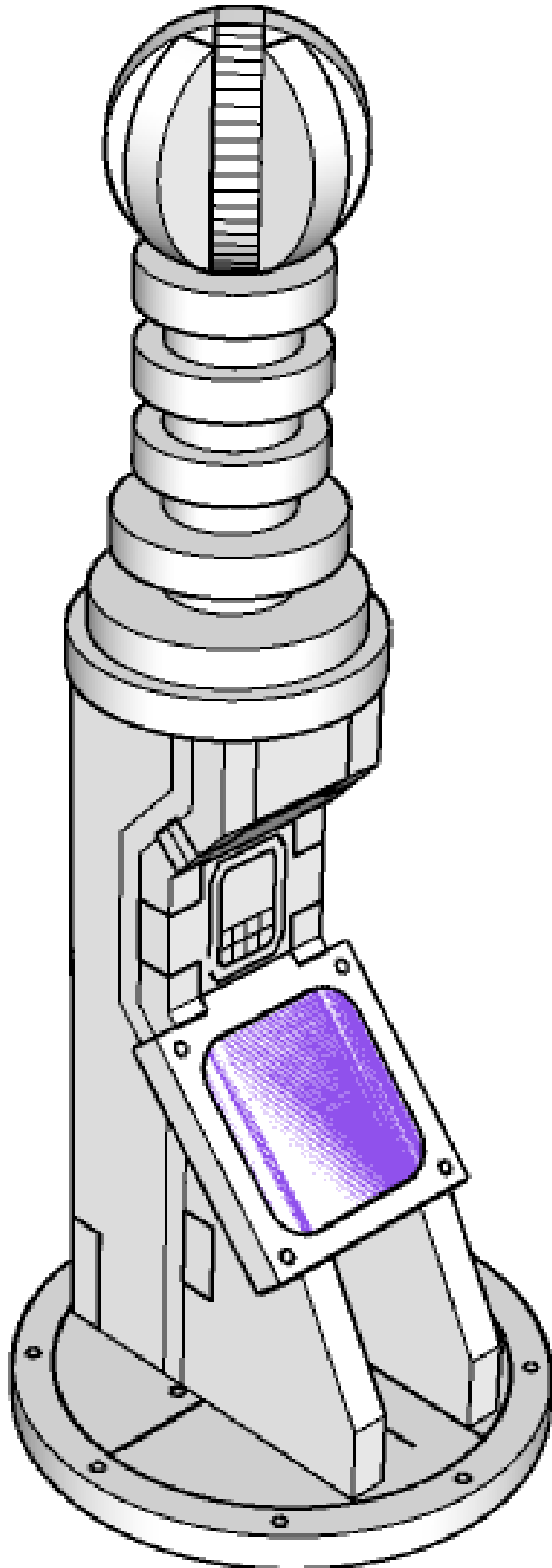


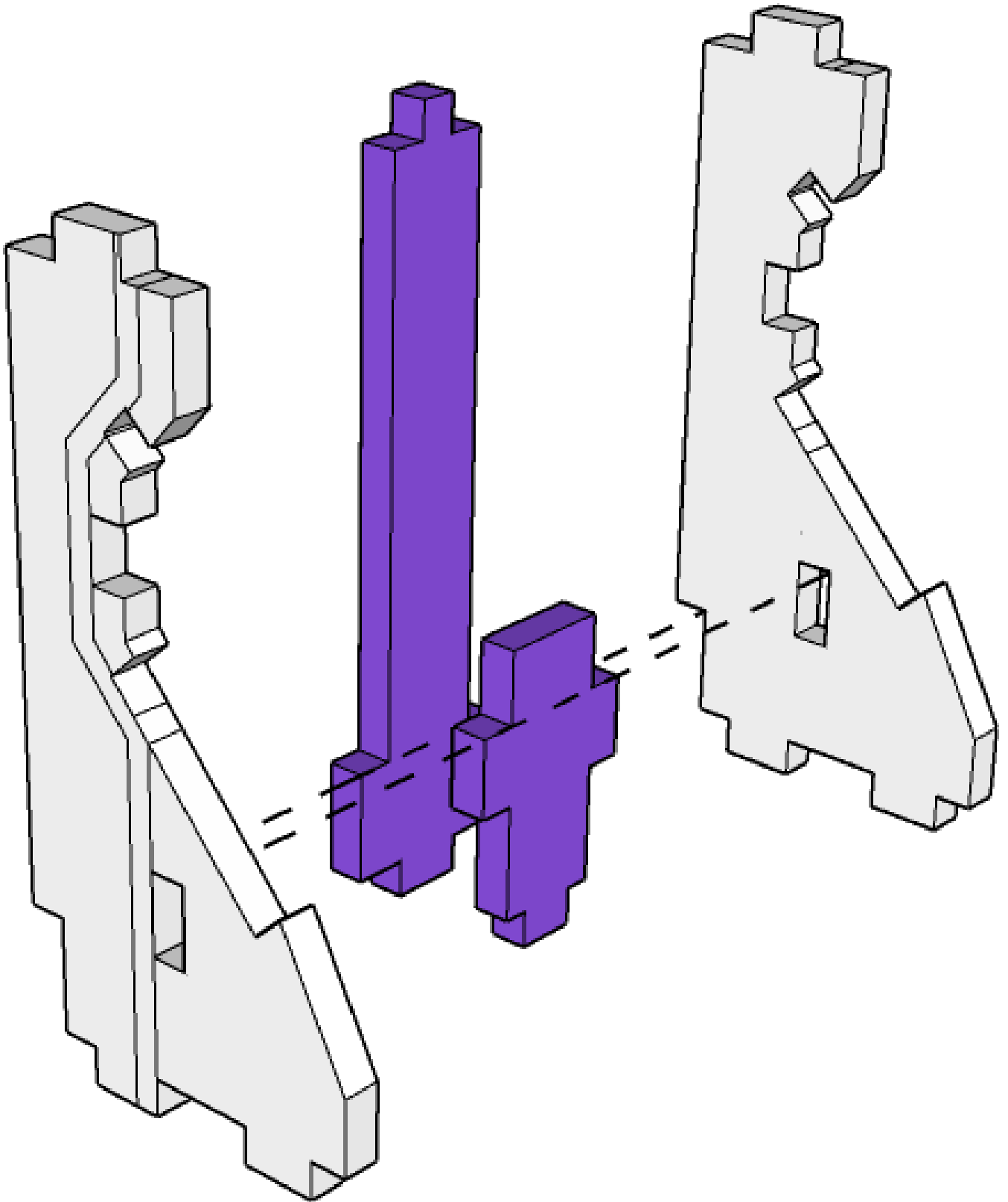


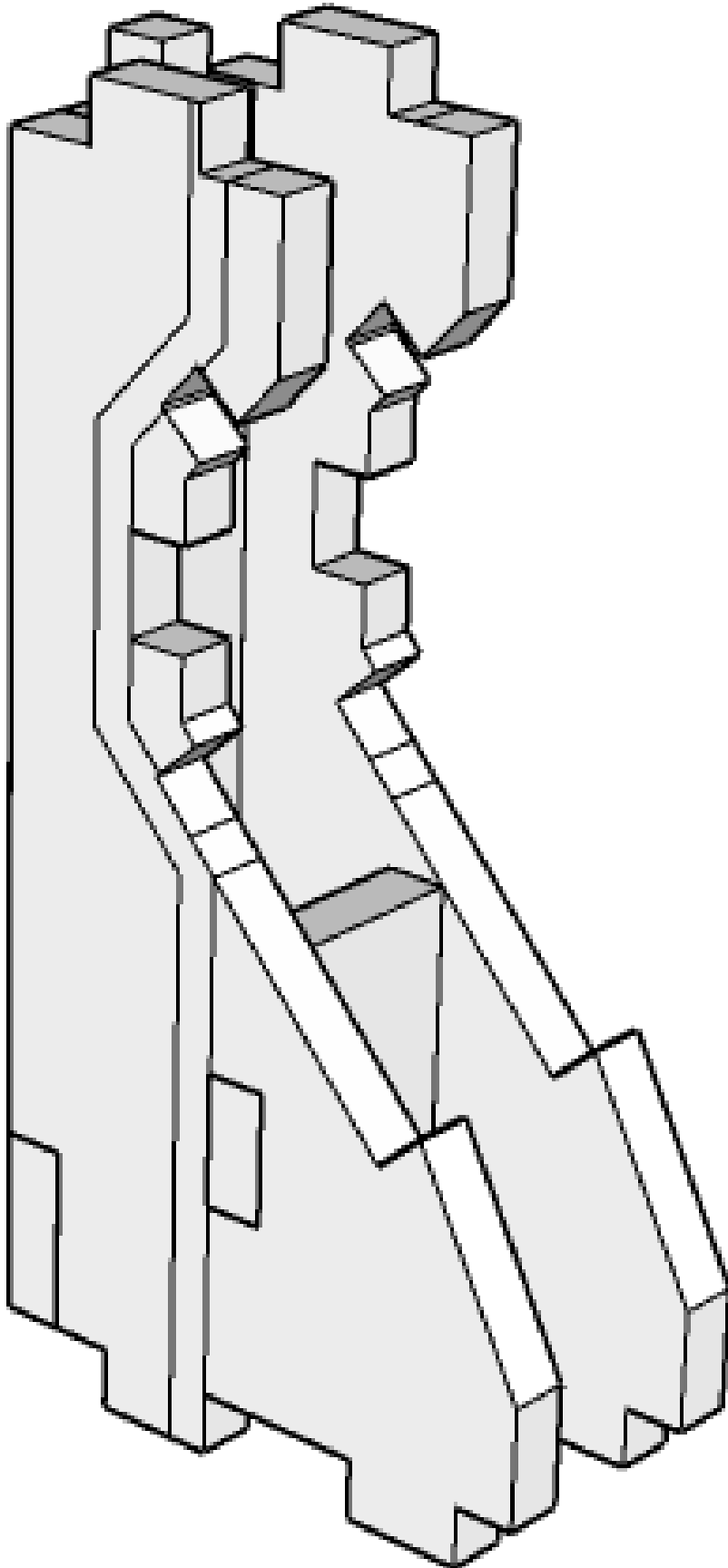


TABLETOP  
**SCENICS**

**TTSC-SFU-107**  
**Prefab Beta**



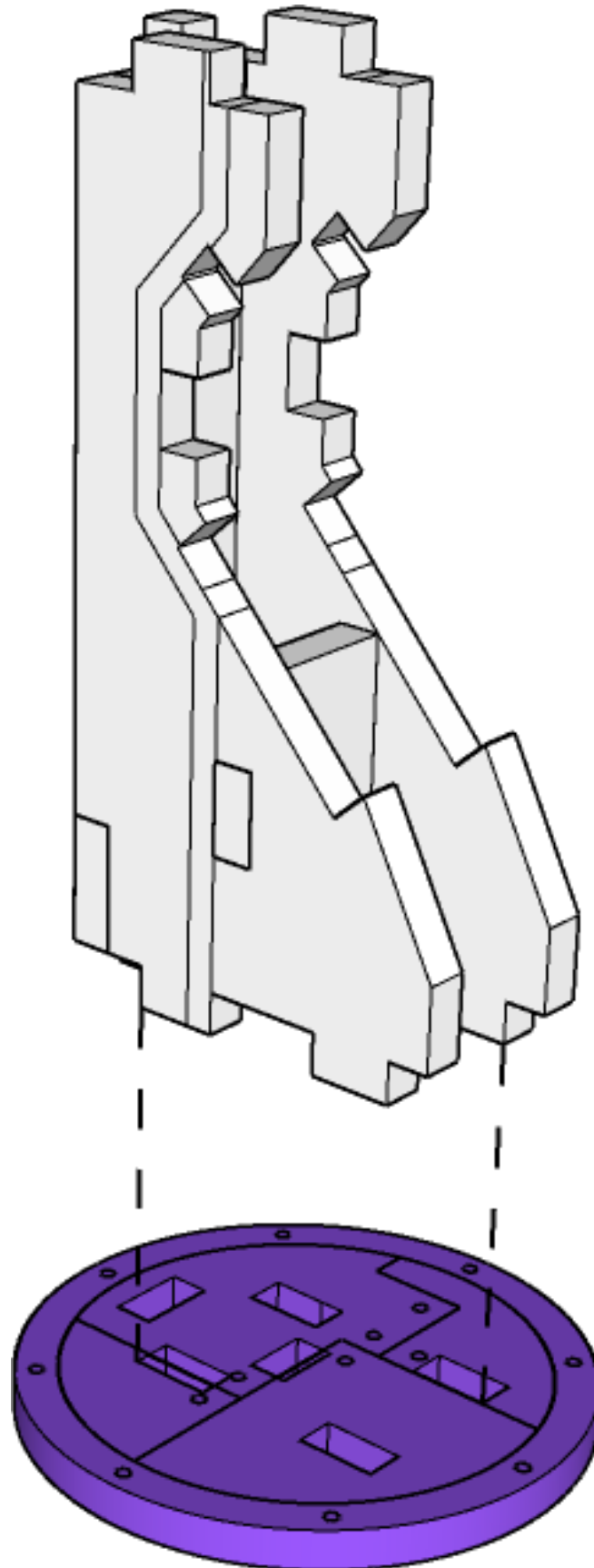


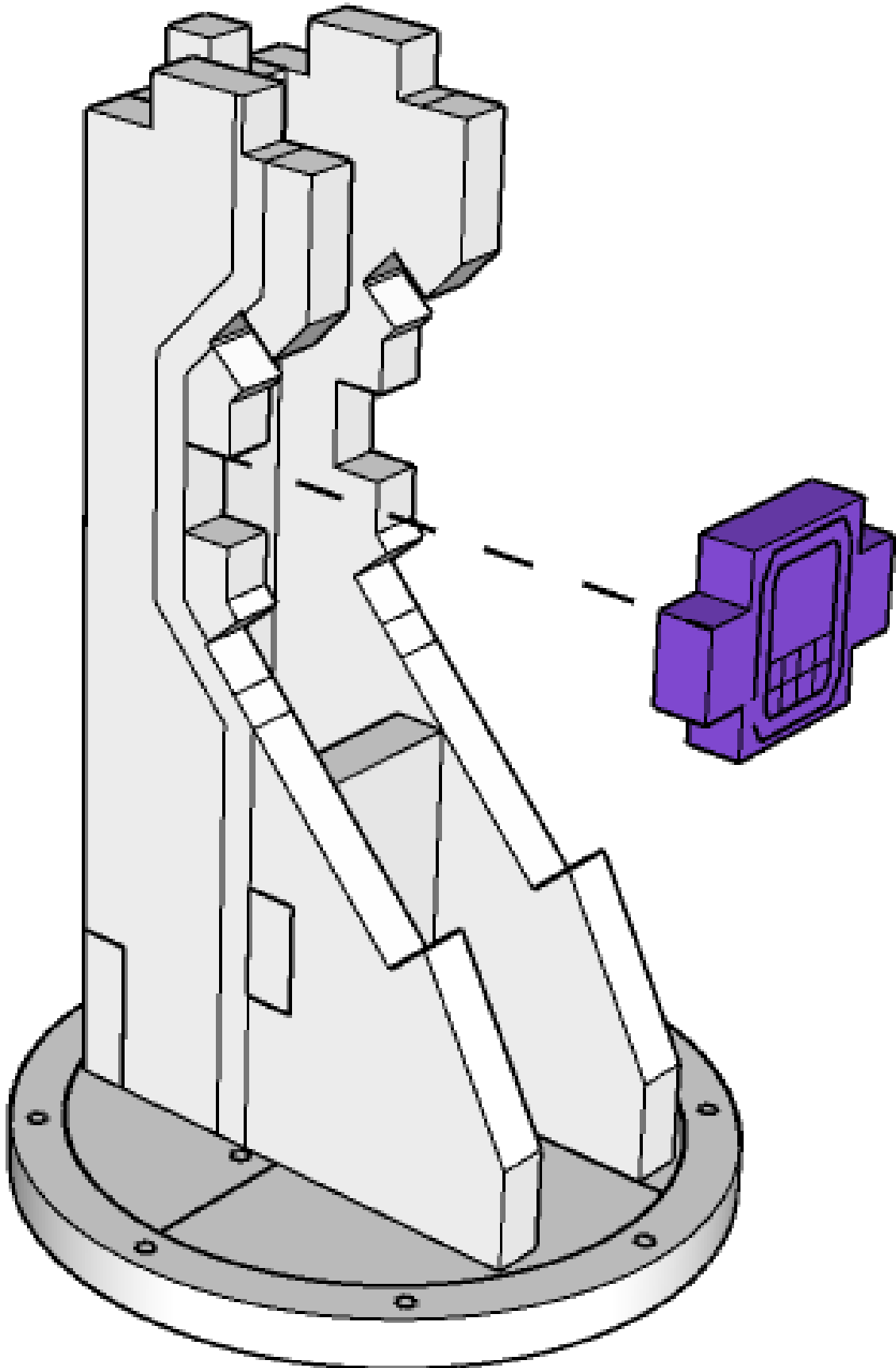


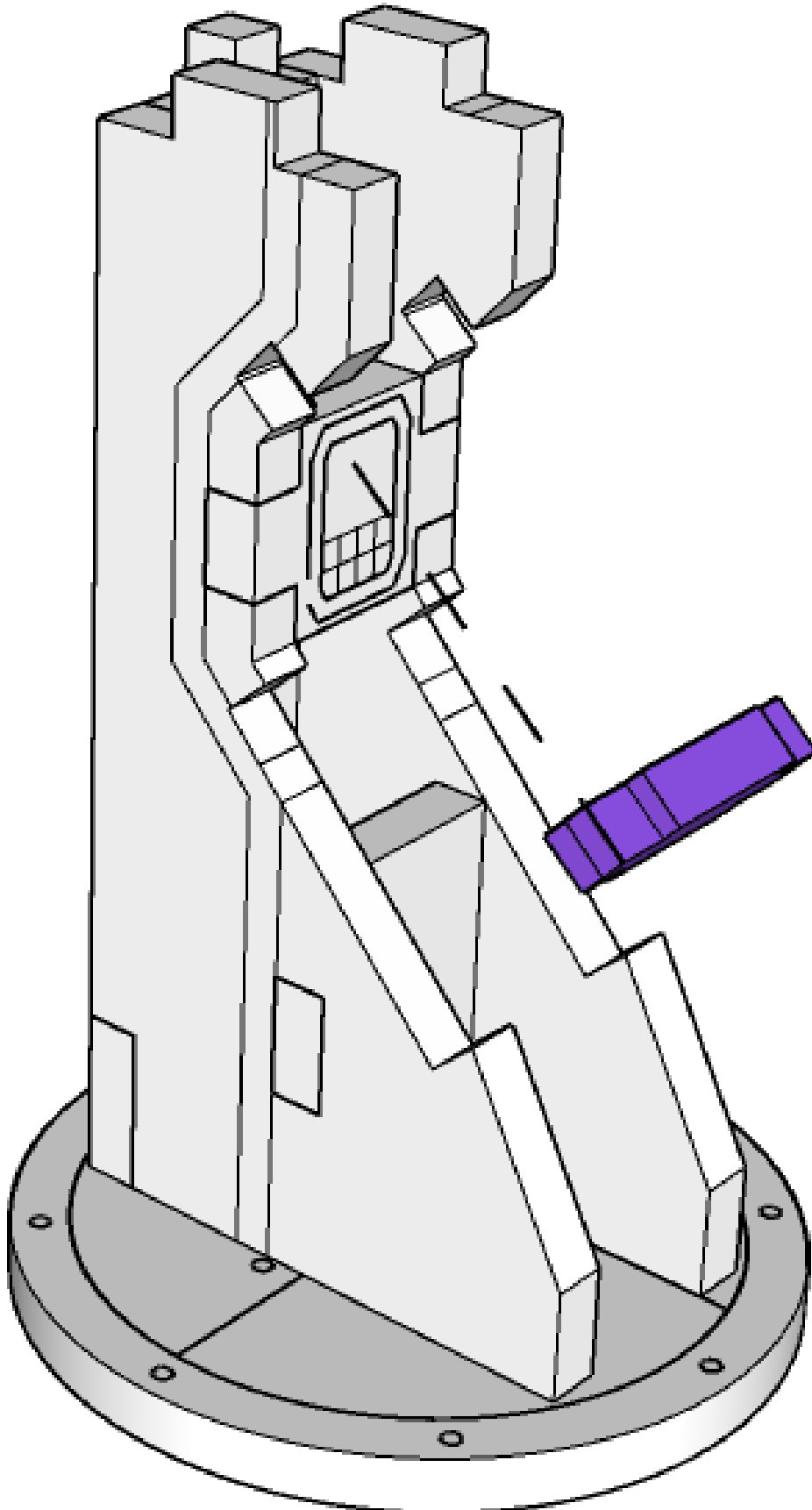


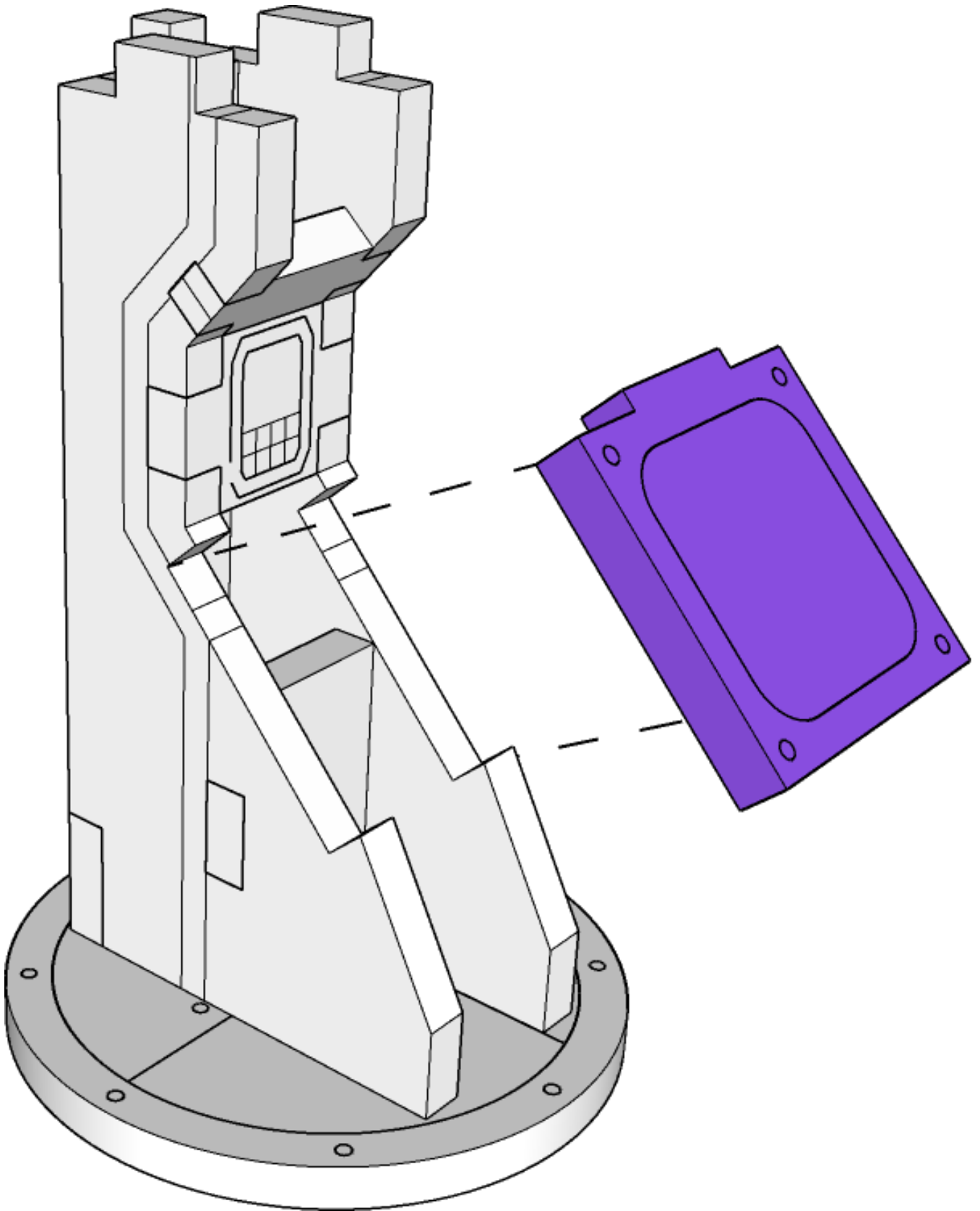
# TABLETOP SCENICS

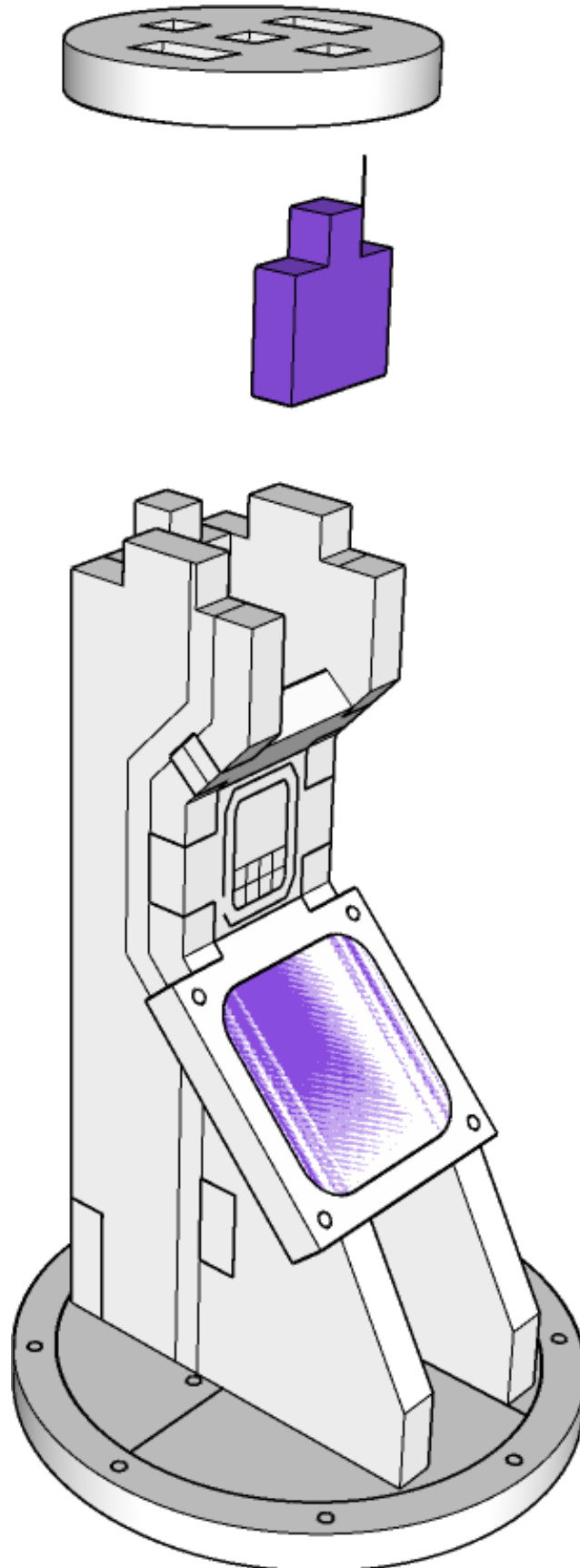
**TTSC-SFU-107**  
**Prefab Beta**



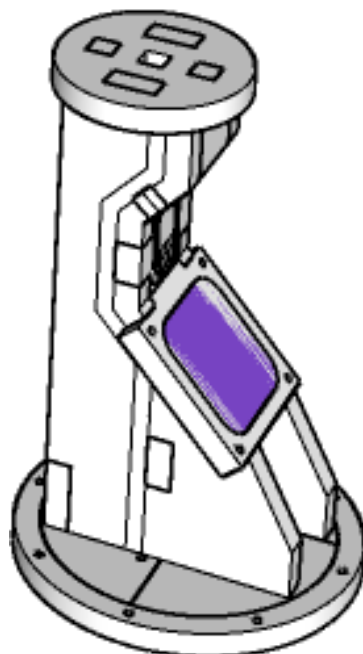


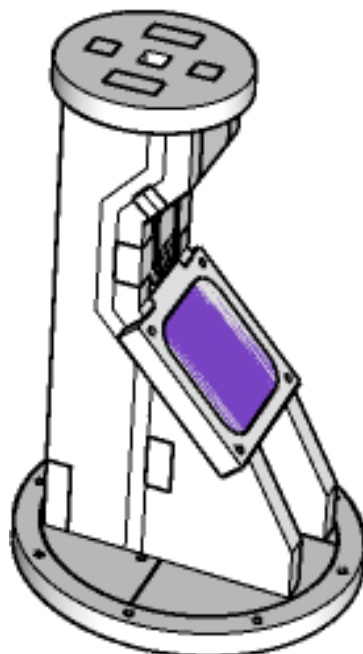


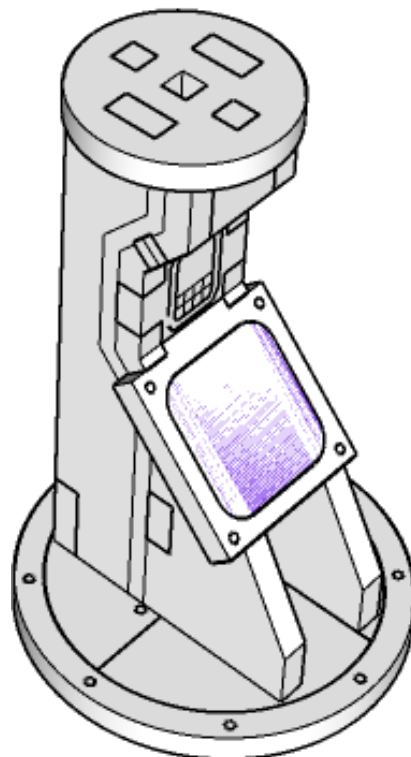
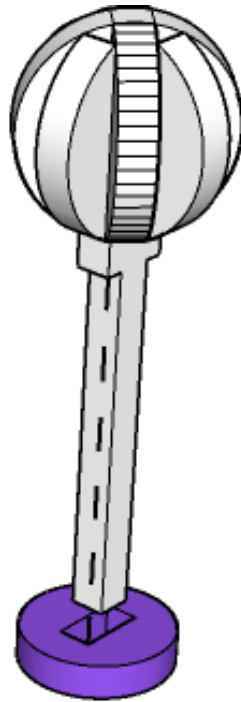


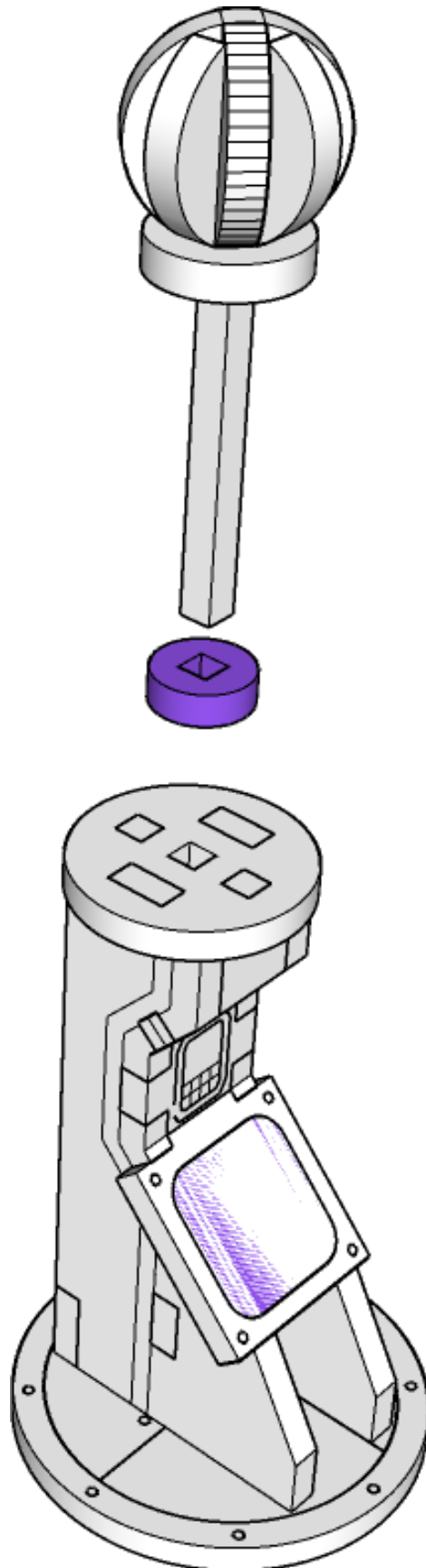


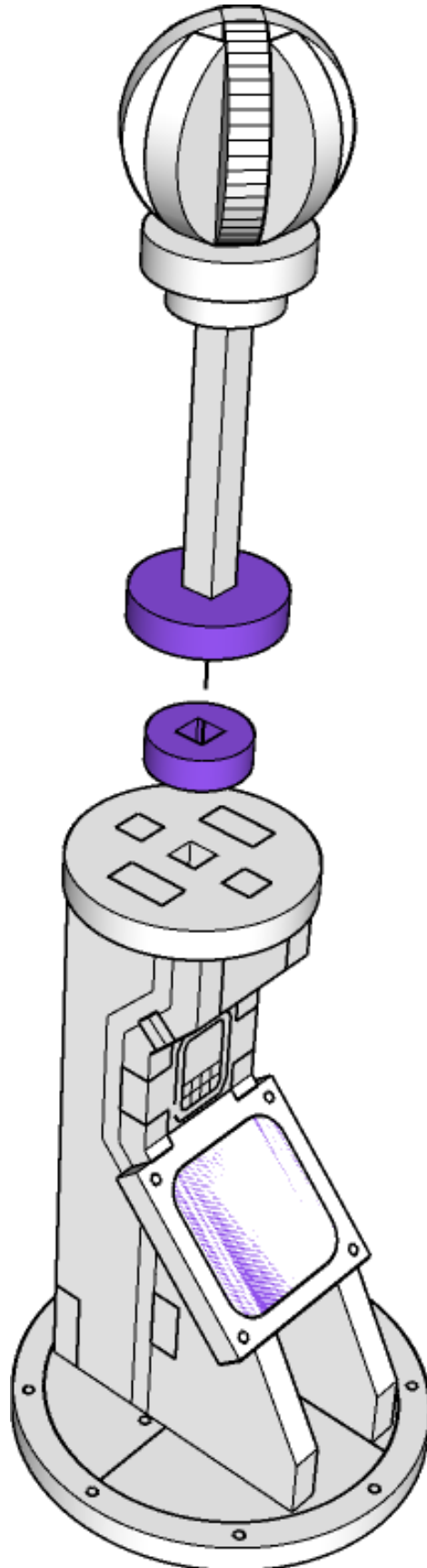


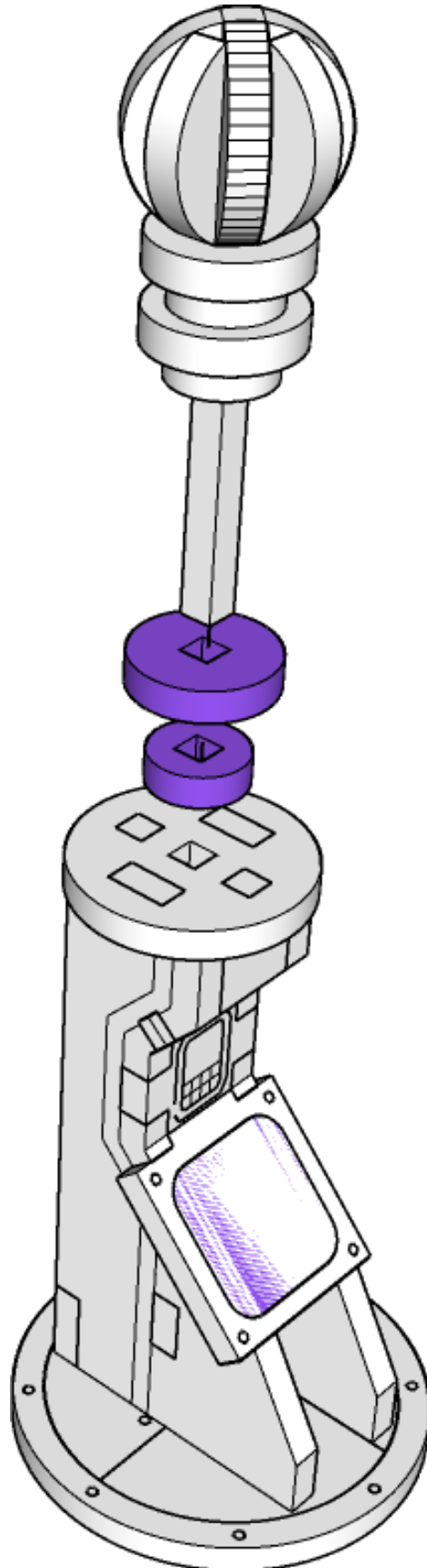


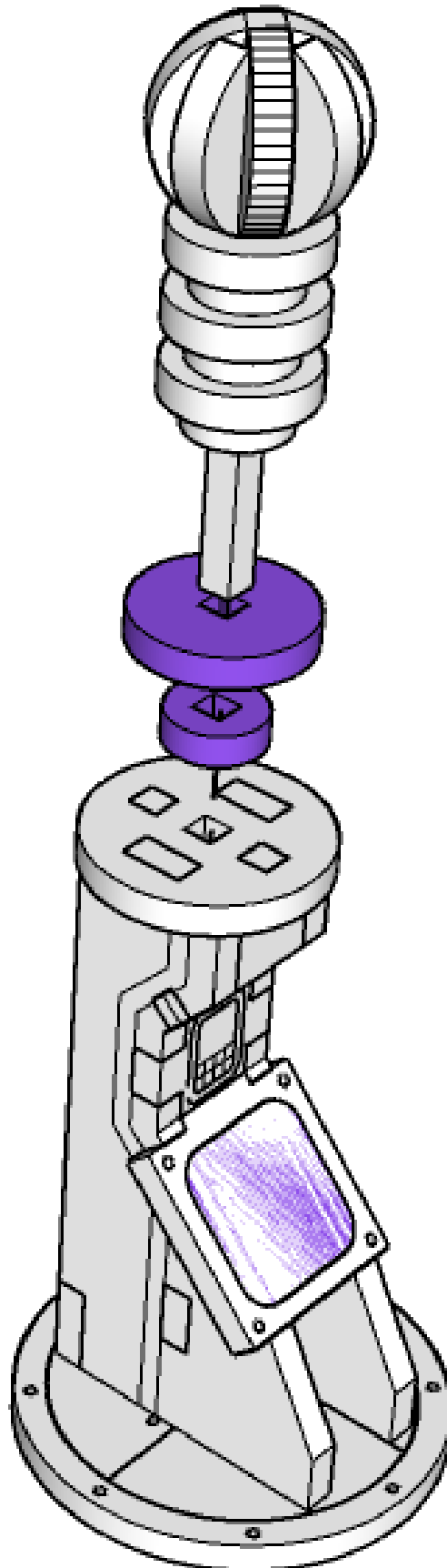


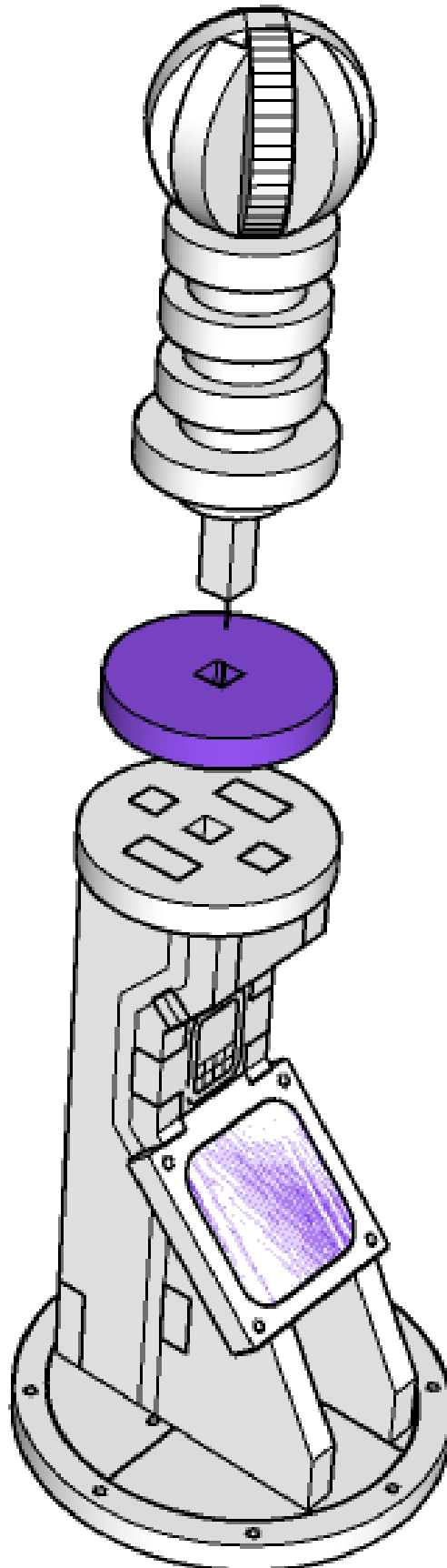




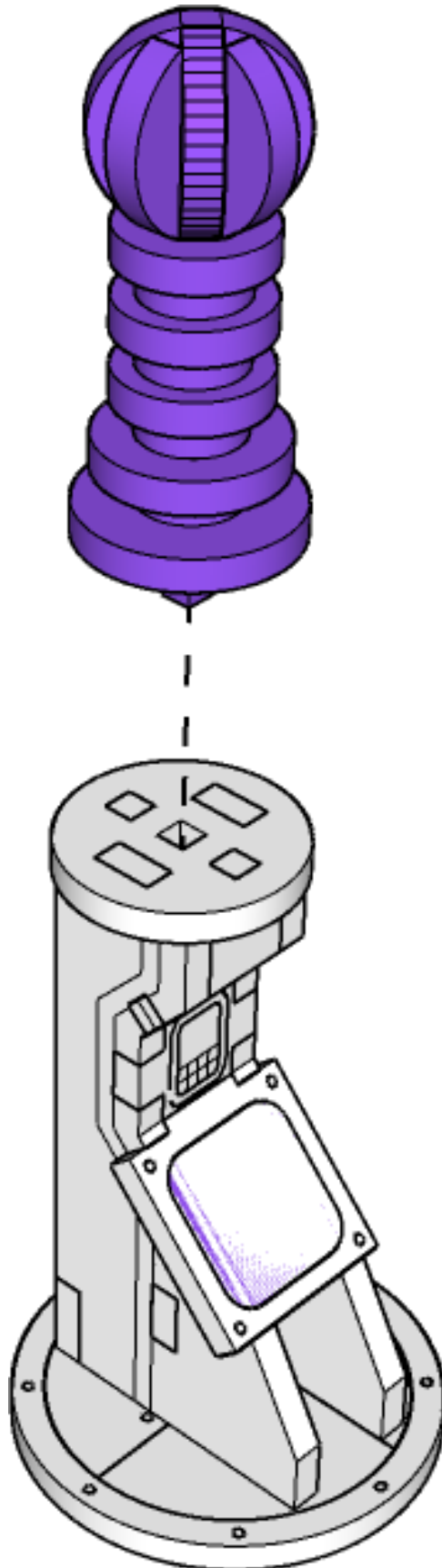








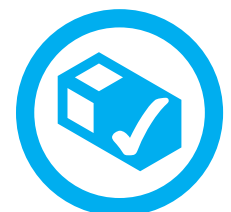
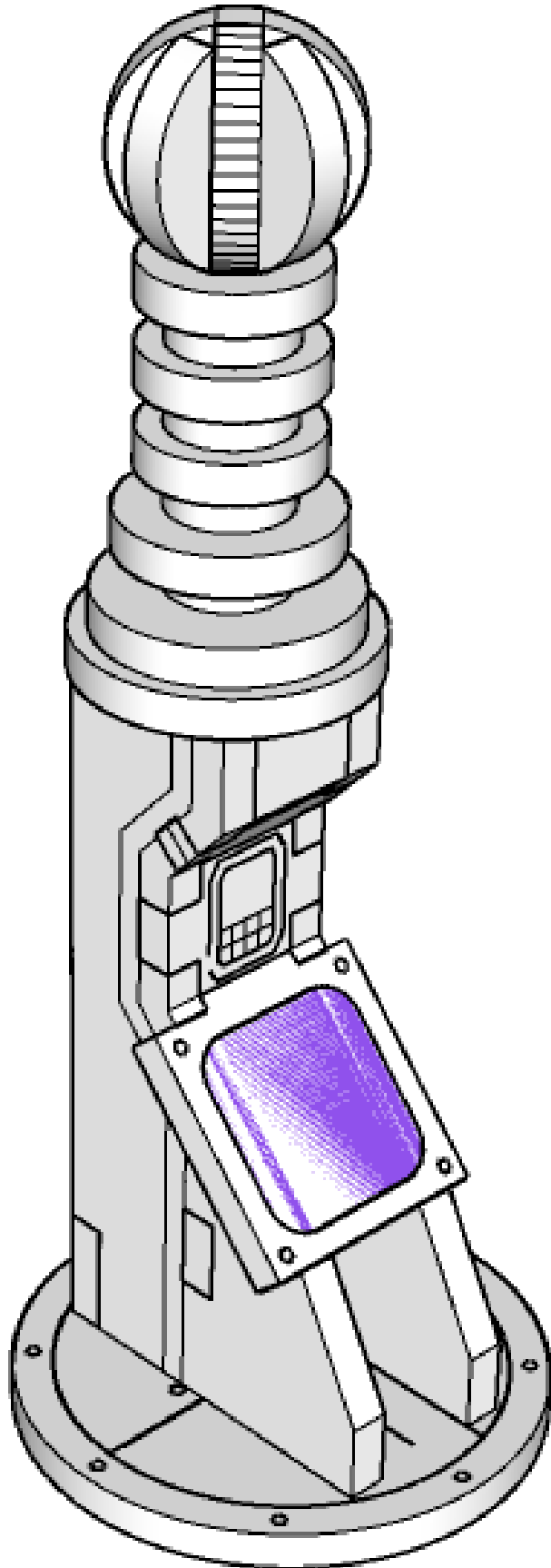






TABLETOP  
**SCENICS**

**TTSC-SFU-107**  
**Prefab Beta**



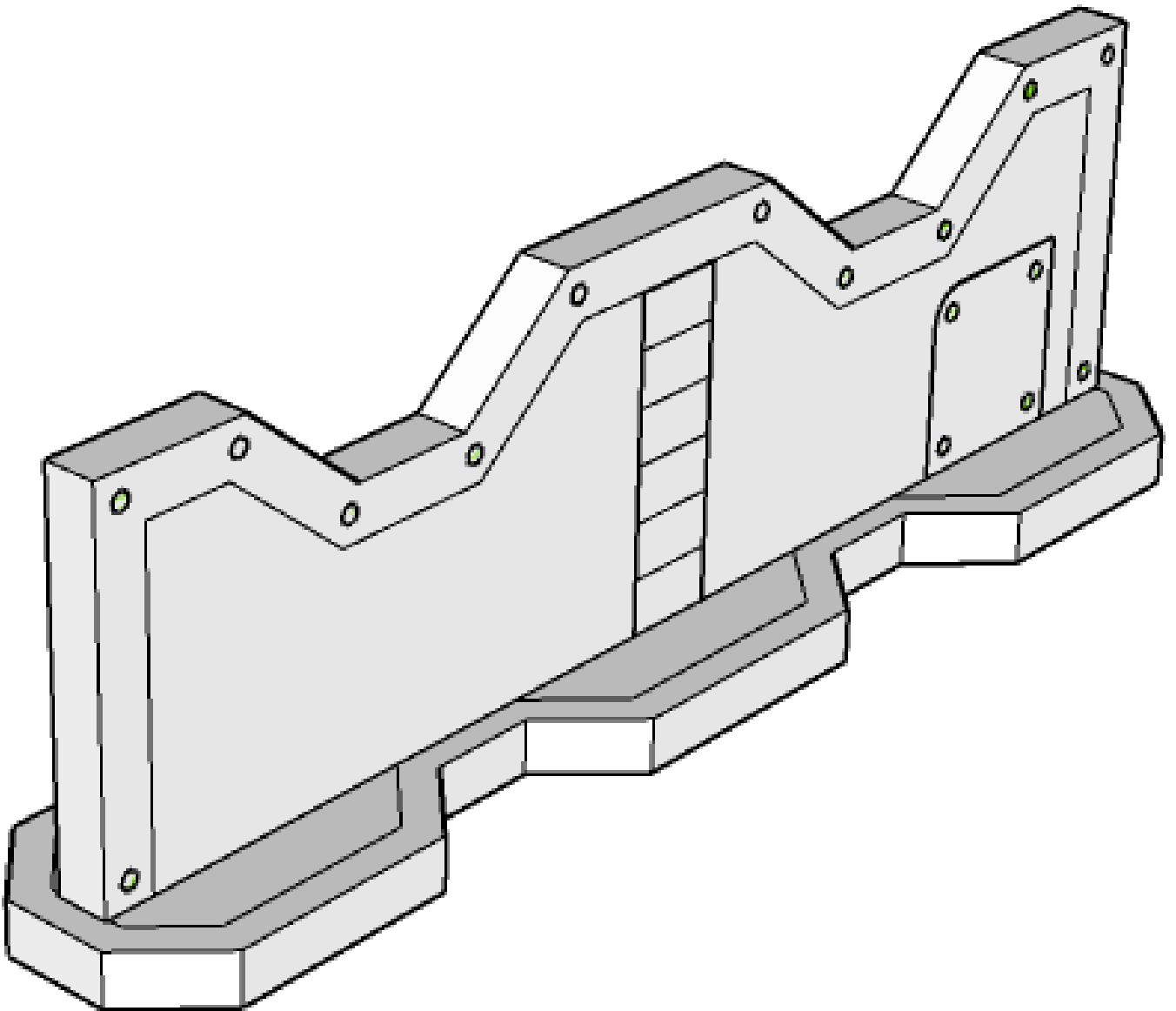
**114**

 **TTCOMBAT**



TABLETOP  
**SCENICS**

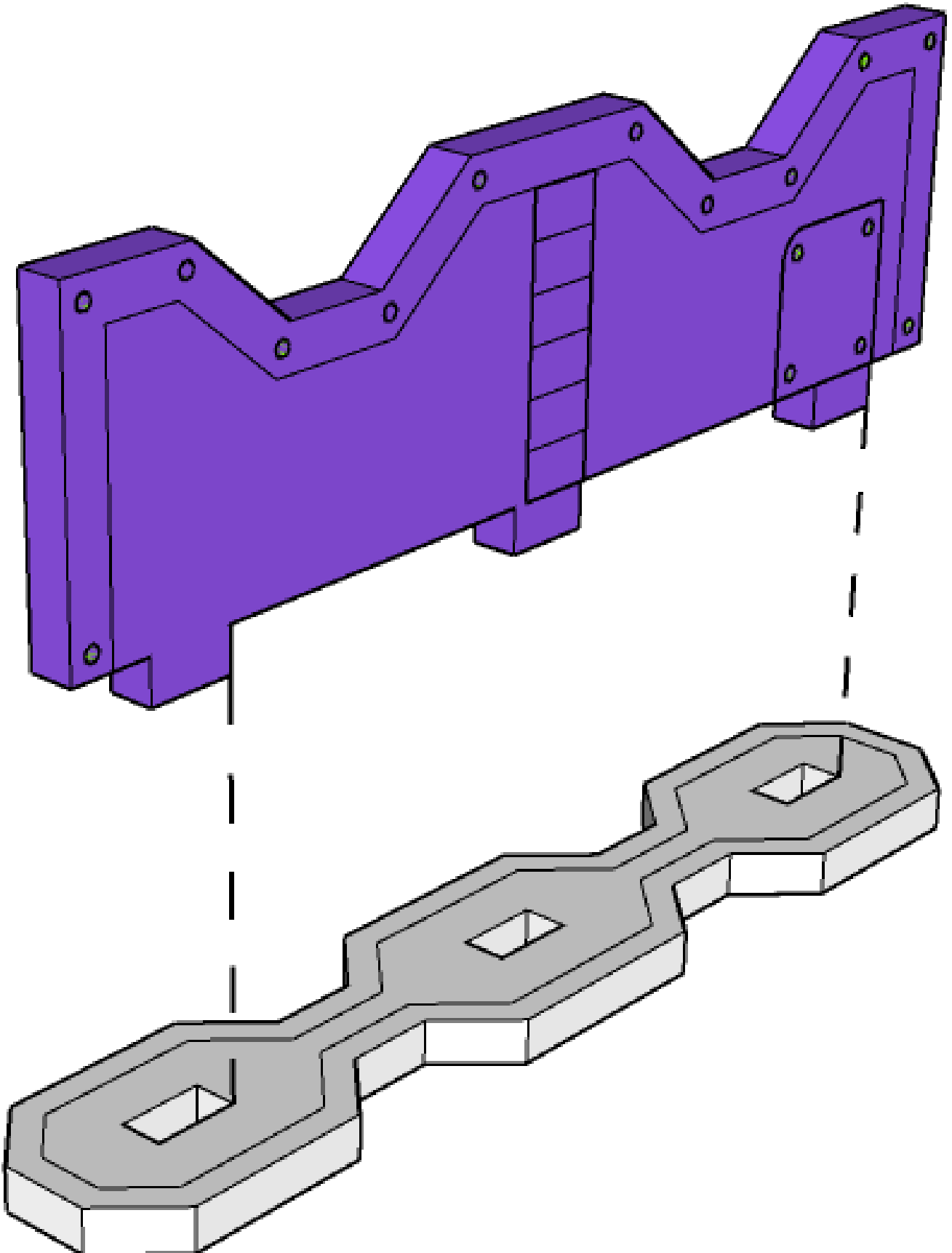
**TTSC-SFU-107**  
**Prefab Beta**



**x3**

**115**

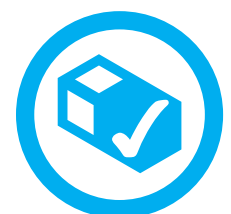
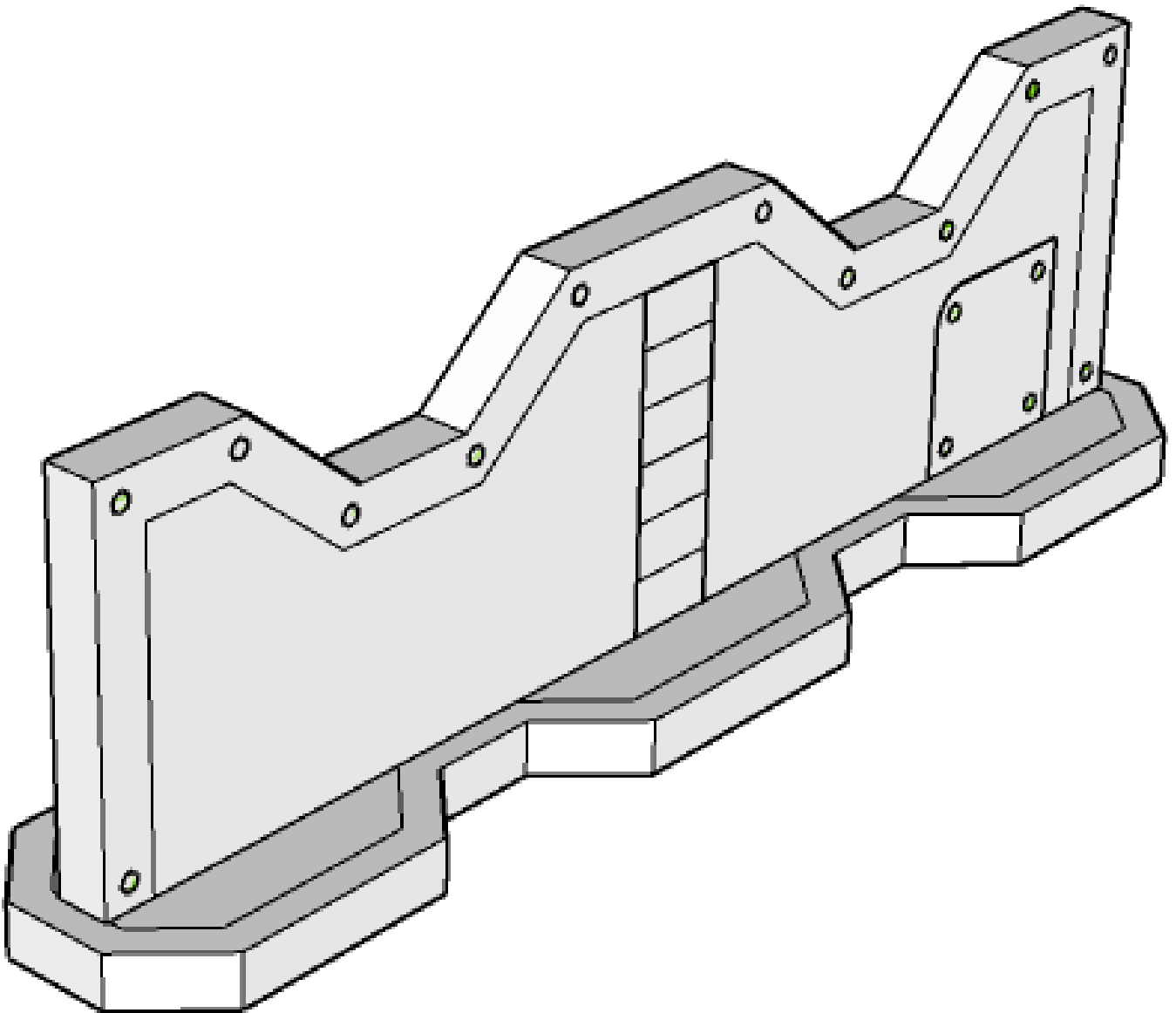
 **TTCOMBAT**





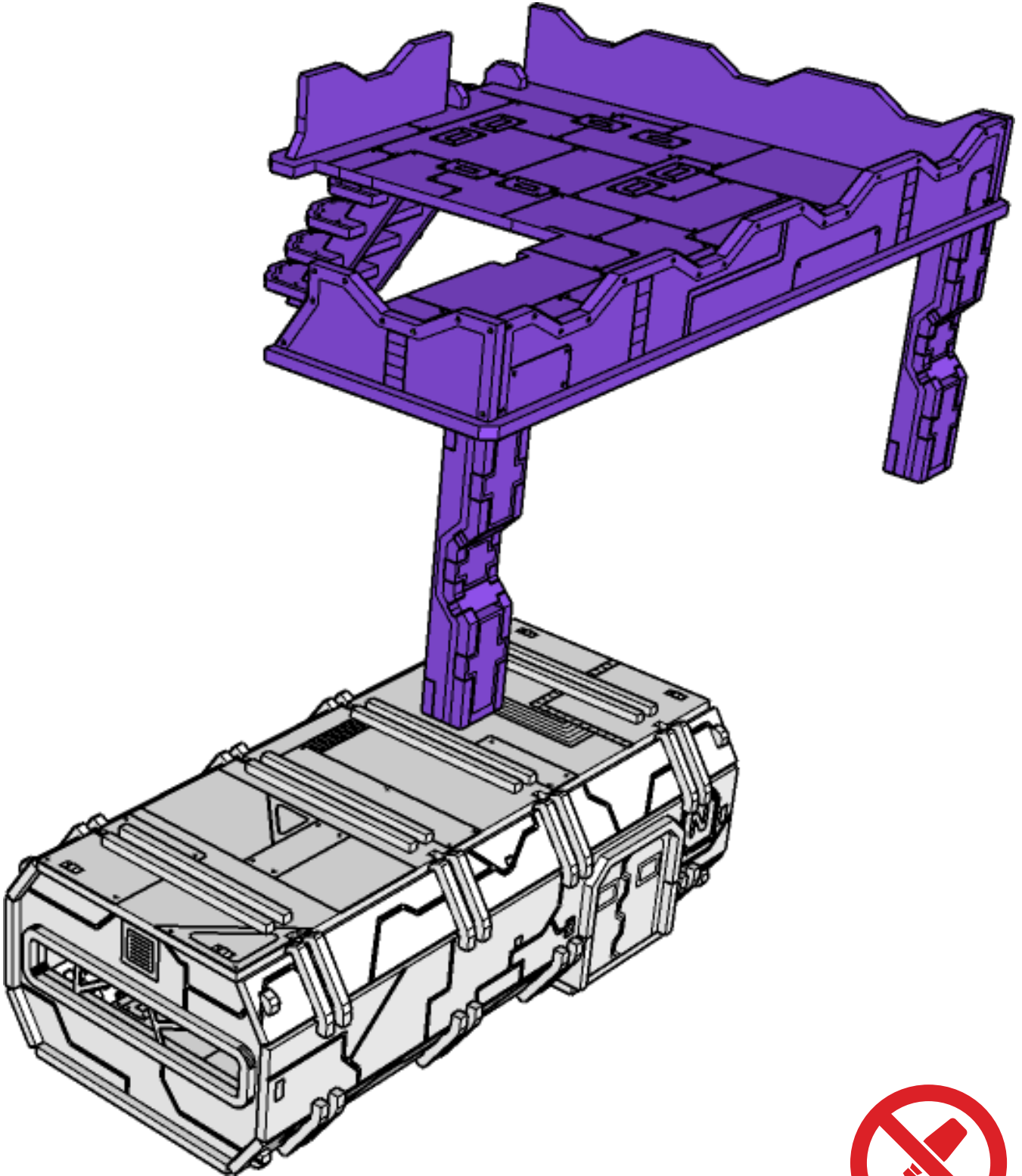
TABLETOP  
**SCENICS**

**TTSC-SFU-107**  
**Prefab Beta**



**117**

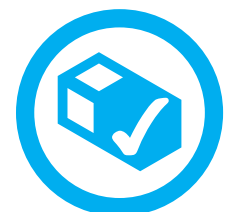
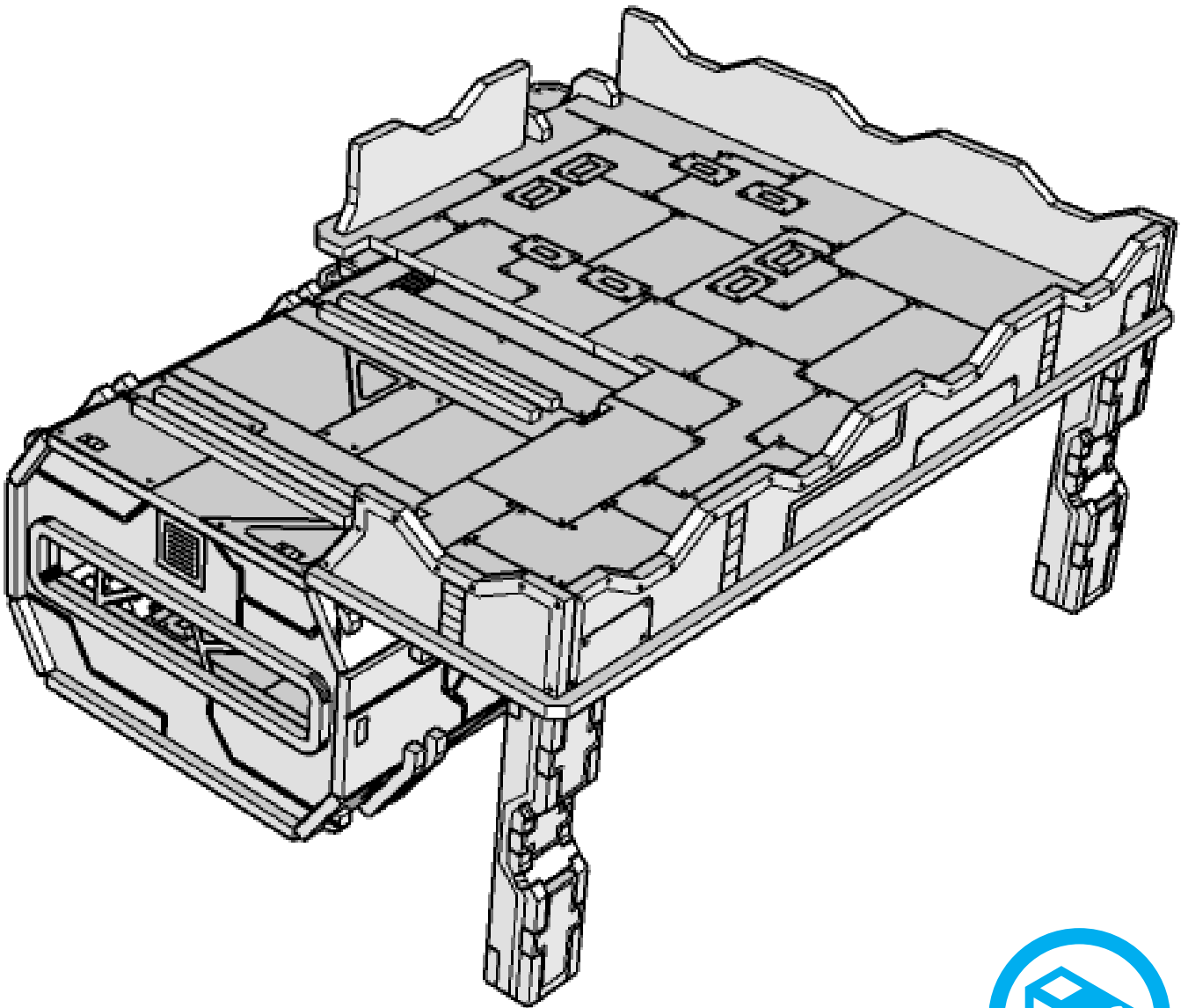
 **TTCOMBAT**





TABLETOP  
**SCENICS**

**TTSC-SFU-107**  
**Prefab Beta**



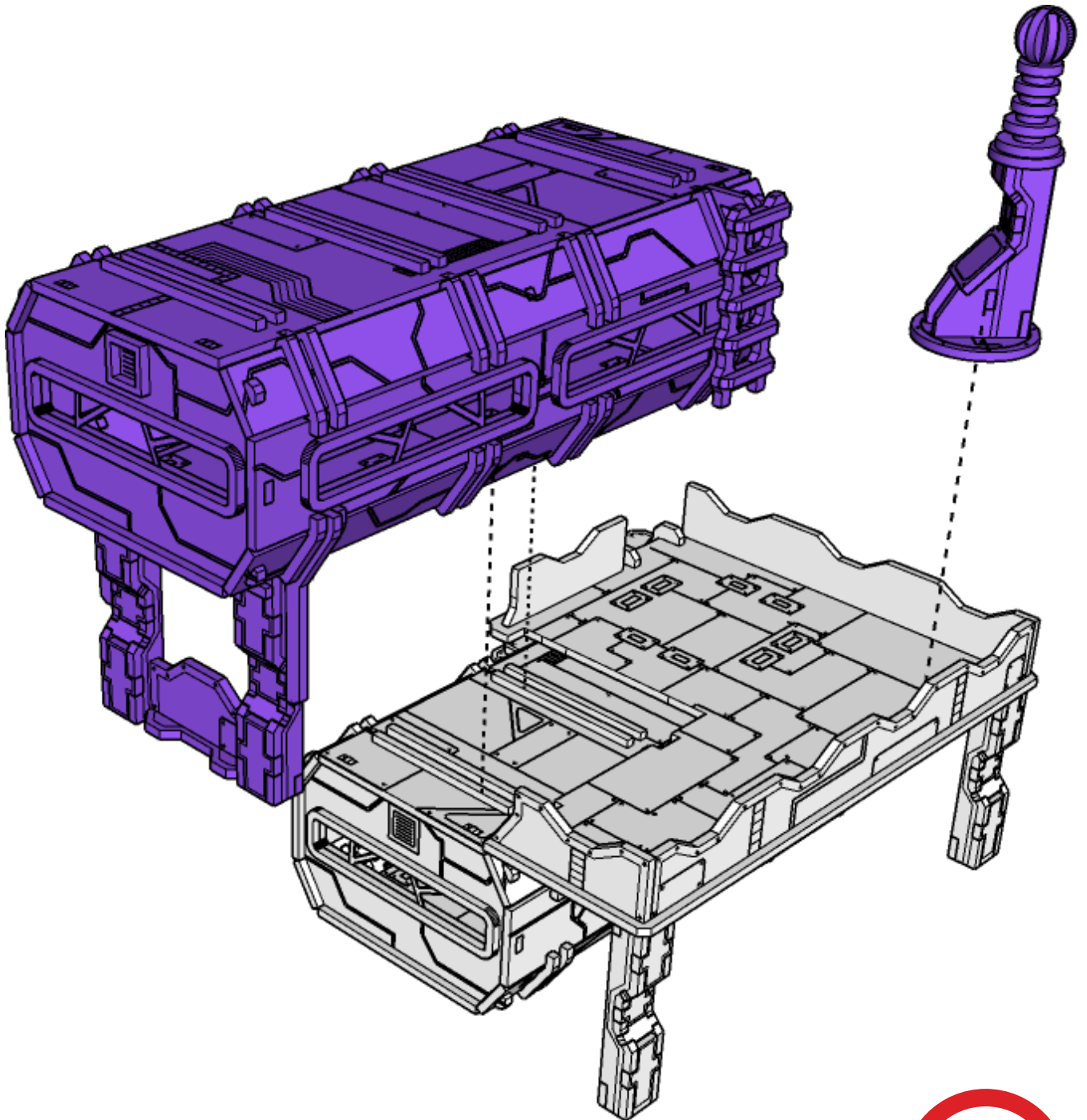
**119**

 **TTCOMBAT**



TABLETOP  
**SCENICS**

**TTSC-SFU-107**  
**Prefab Beta**

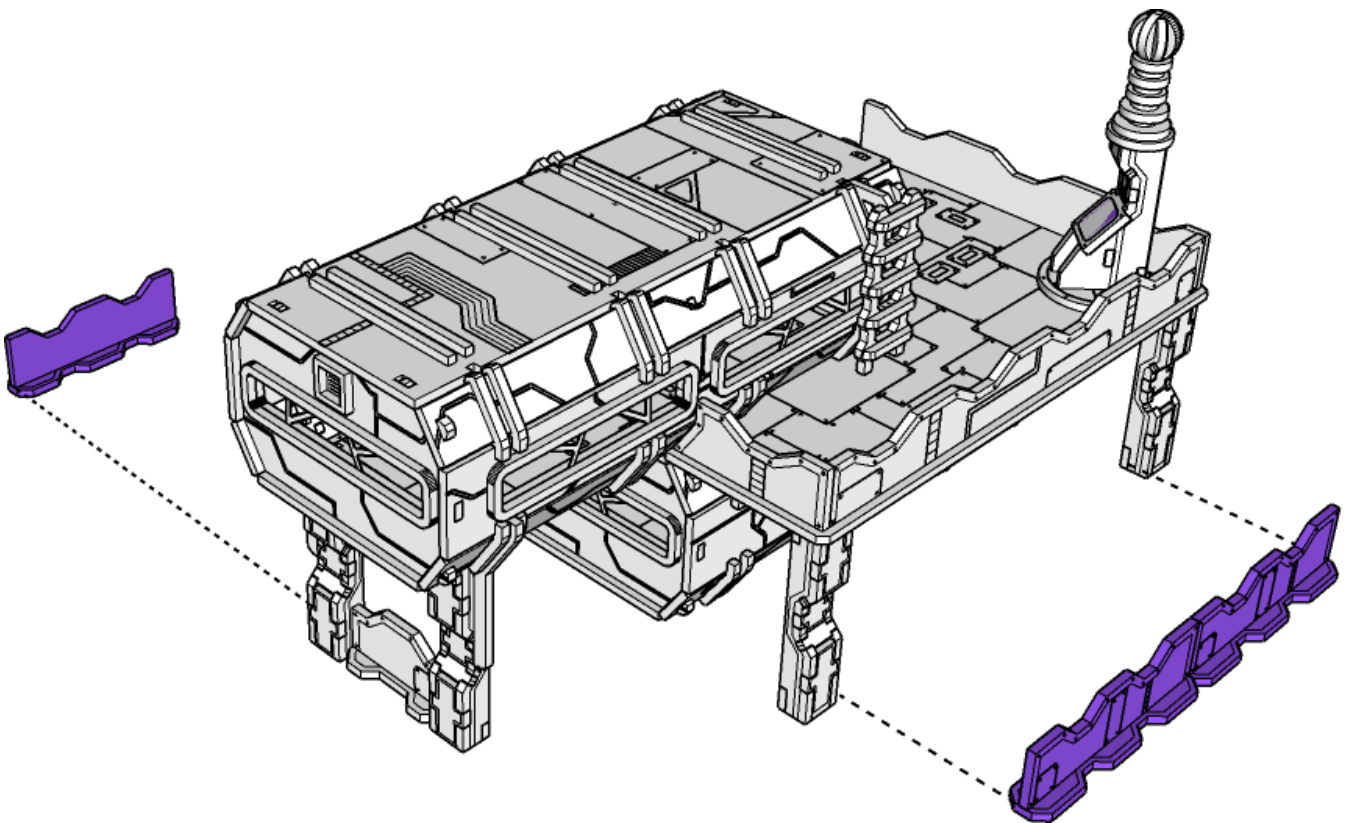


**120**



 **TTCOMBAT**

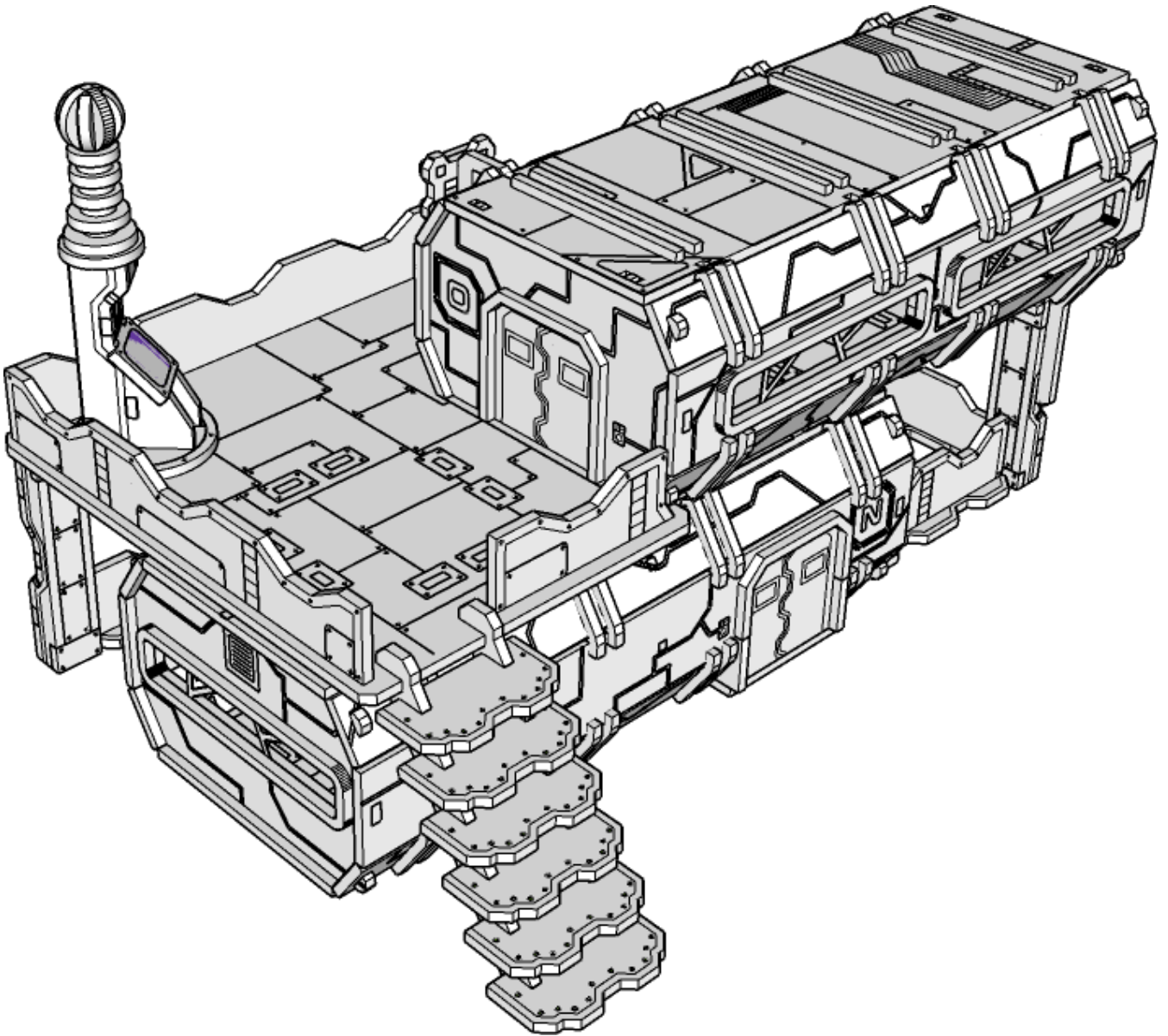






**TABLETOP  
SCENICS**

**TTSC-SFU-107  
Prefab Beta**



**122**



 **TTCOMBAT**