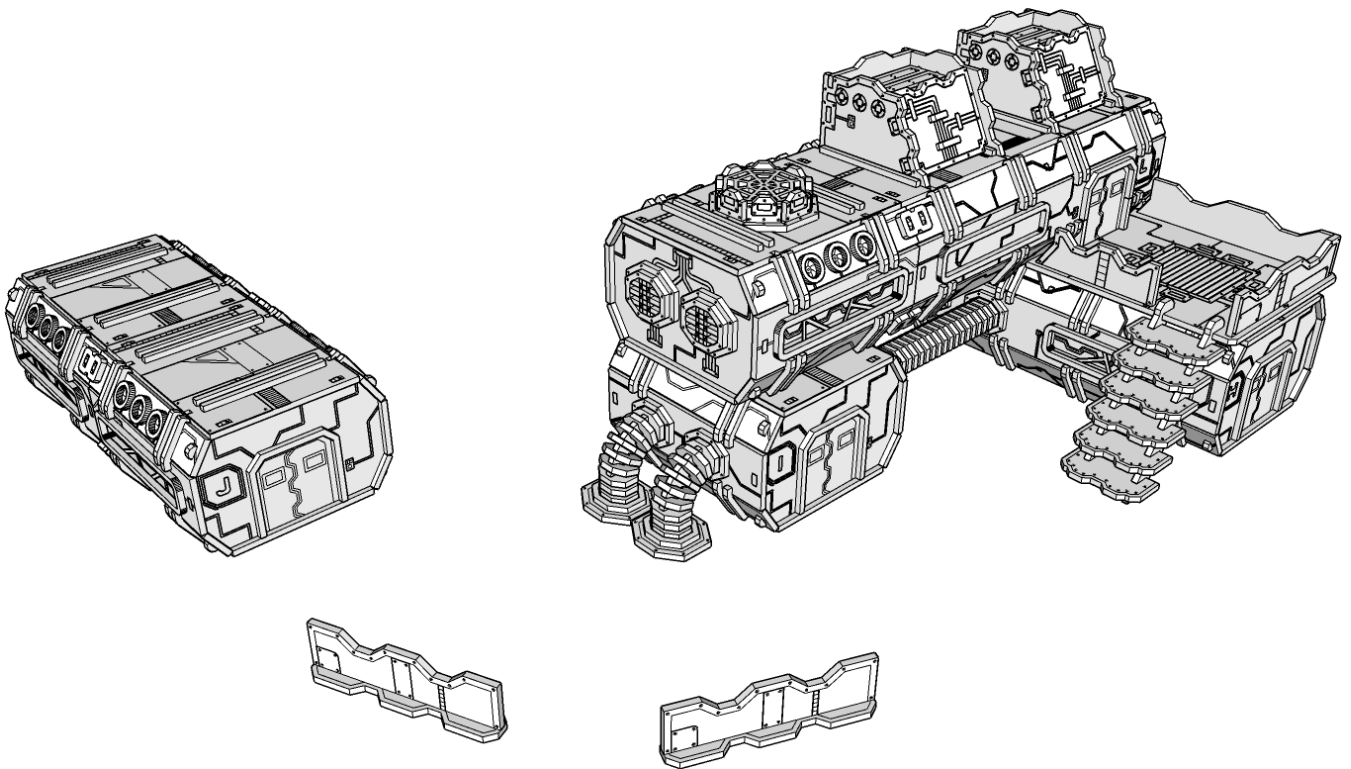




**TABLETOP  
SCENICS**

**TTSCW-SFU-106  
Prefab Chemical Lab**



**1**



**TTCOMBAT**



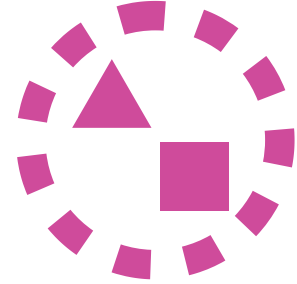
These are a series of icons that may be used throughout the instructions to help your assembly. If in doubt, scroll ahead to confirm.



Do not glue



Carefully score  
and fold



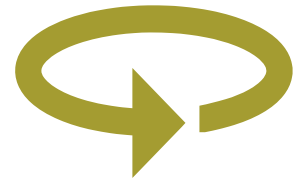
This part or its placement  
is completely optional



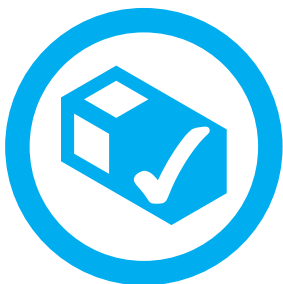
Look closely at this step.  
The process order or part  
used, may be specific



Repeat making this  
part for the specified  
number of times



The next instruction step  
will be the same  
assembly but from  
a different angle



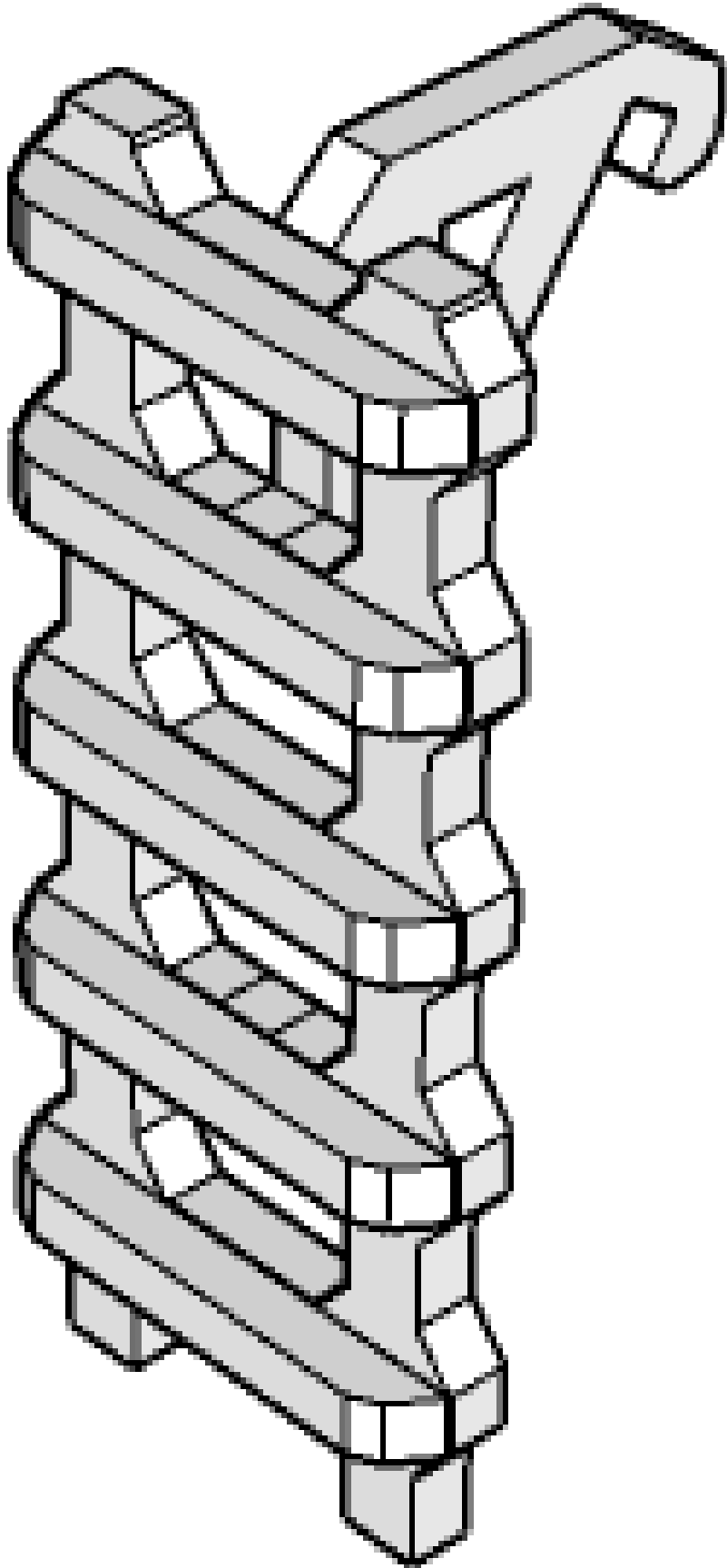
Sub-assembly complete.  
This smaller construction  
is ready to add to the  
main kit

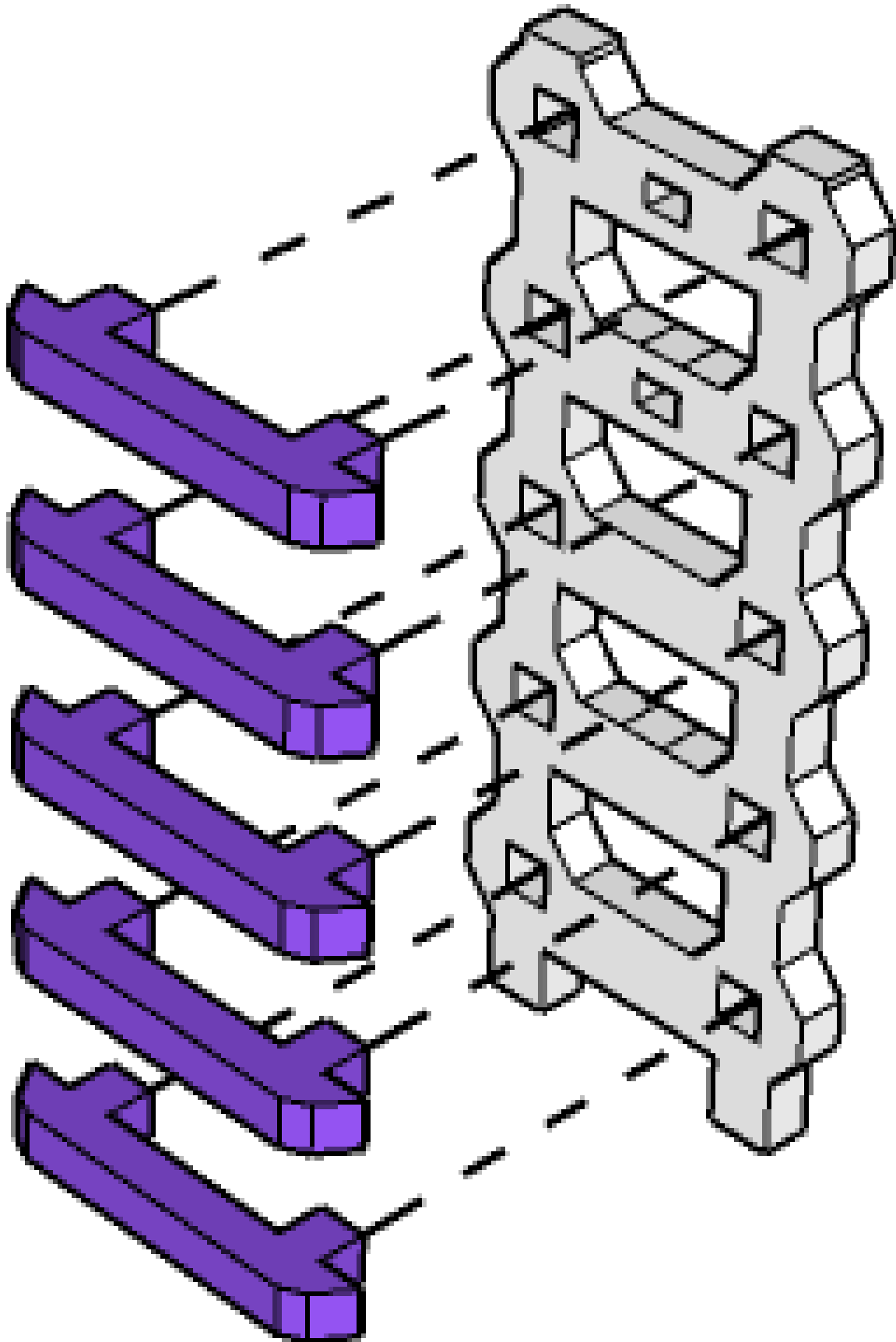


Assembly Complete!  
There may be more  
optional parts so check  
to the very end  
of the instructions

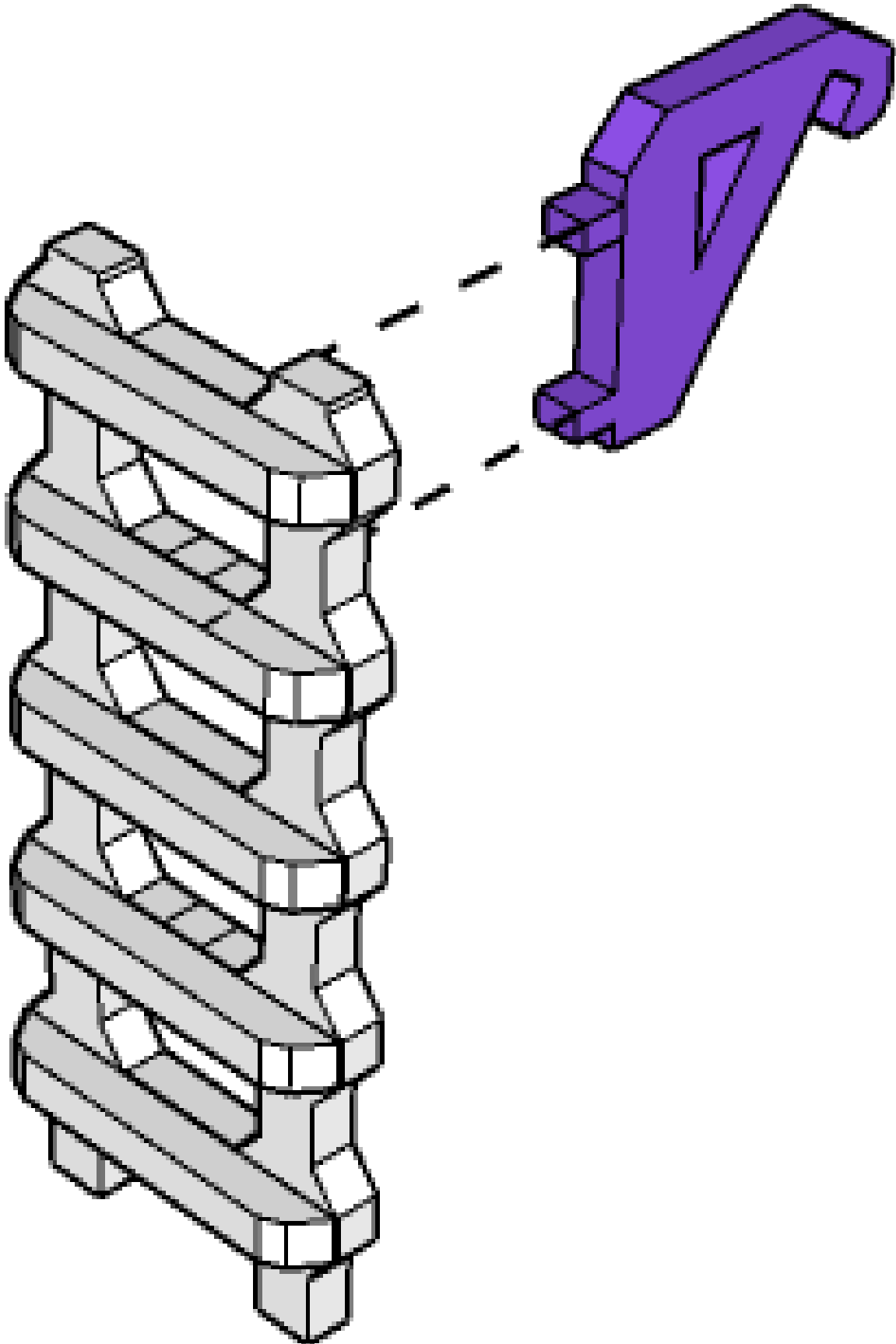


FRAGILE: DO NOT BEND.  
"Bendy wood" is designed  
to curve around  
a designed frame only.





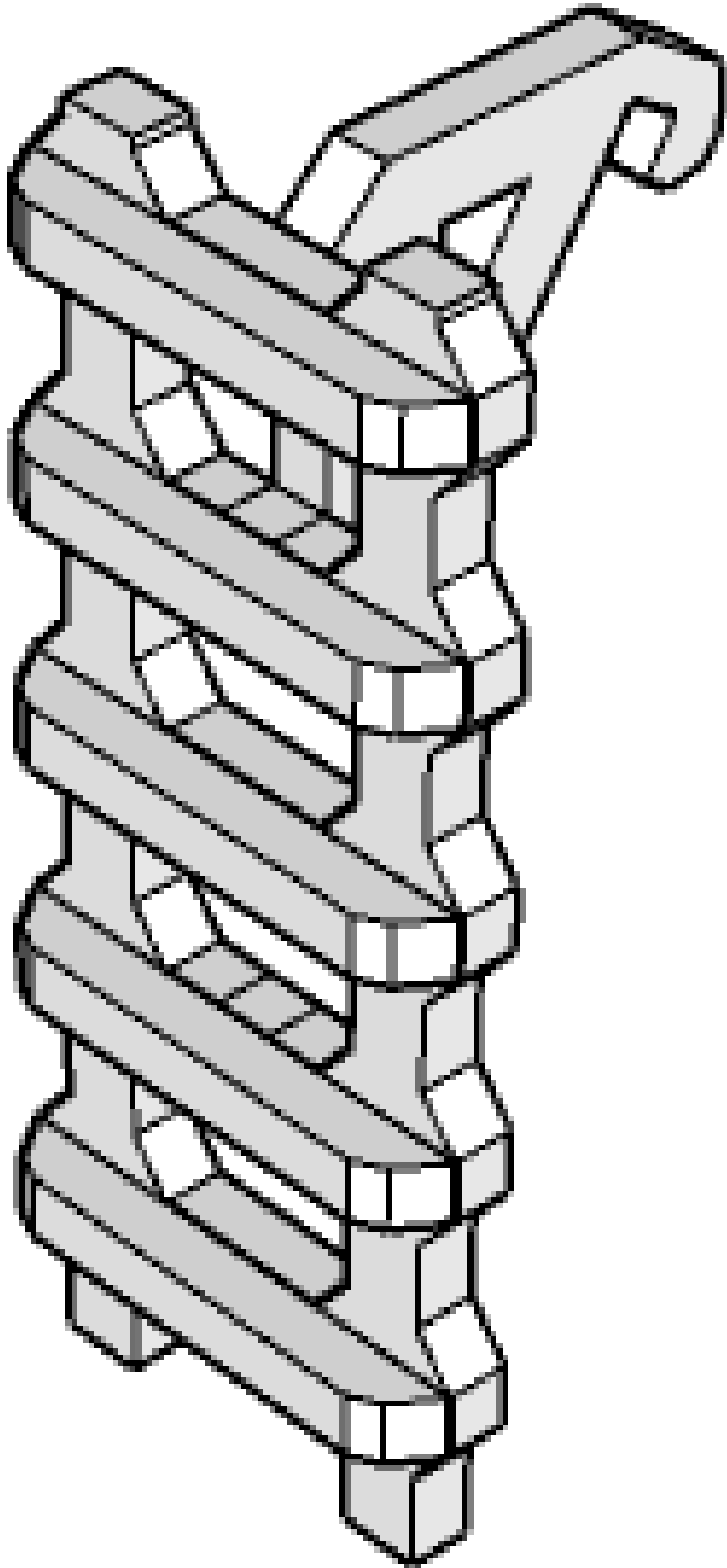




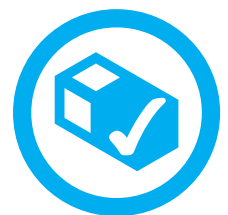


TABLETOP  
**SCENICS**

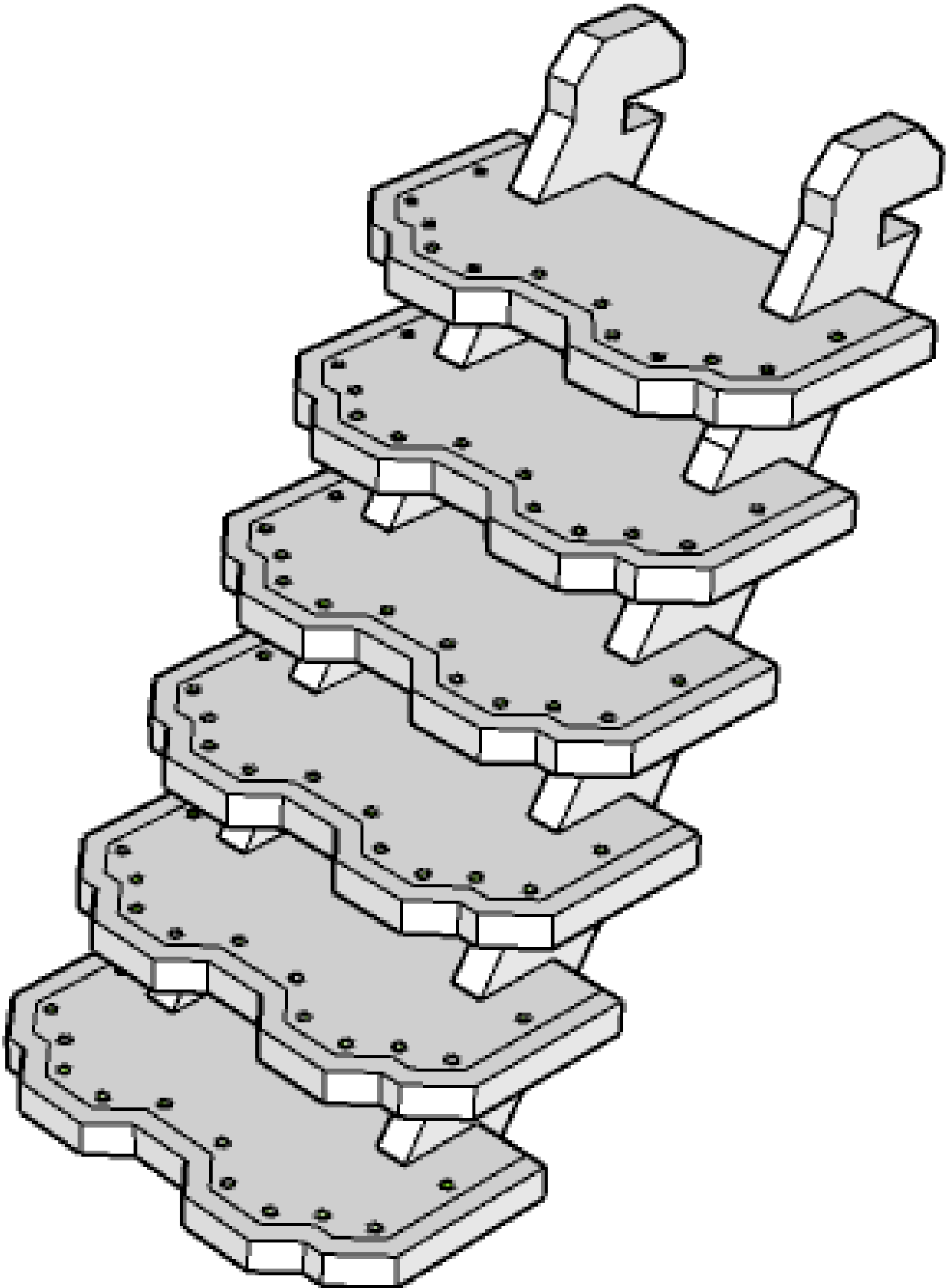
**TTSCW-SFU-106**  
**Prefab Chemical Lab**

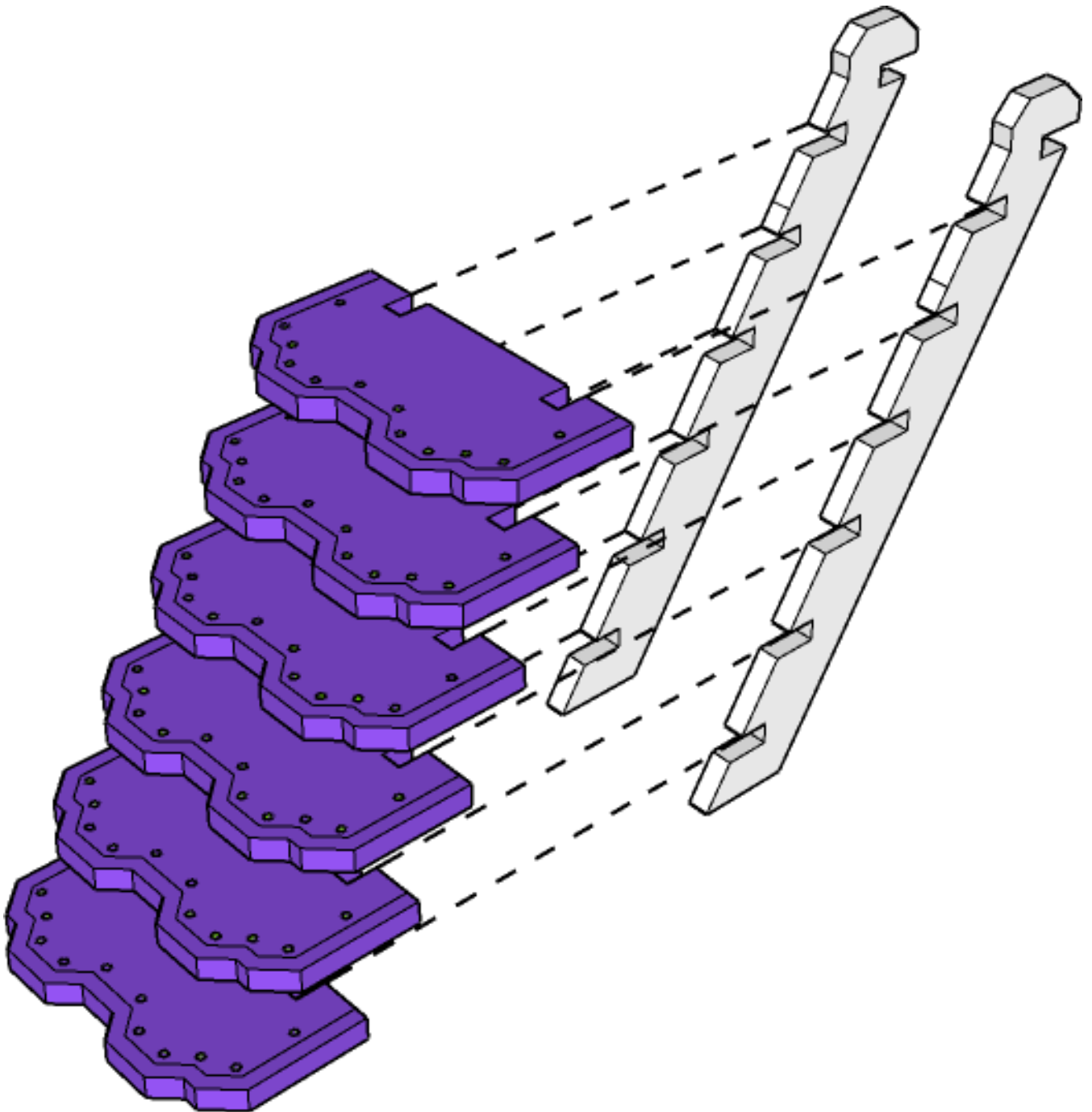


**6**



 **TTCOMBAT**

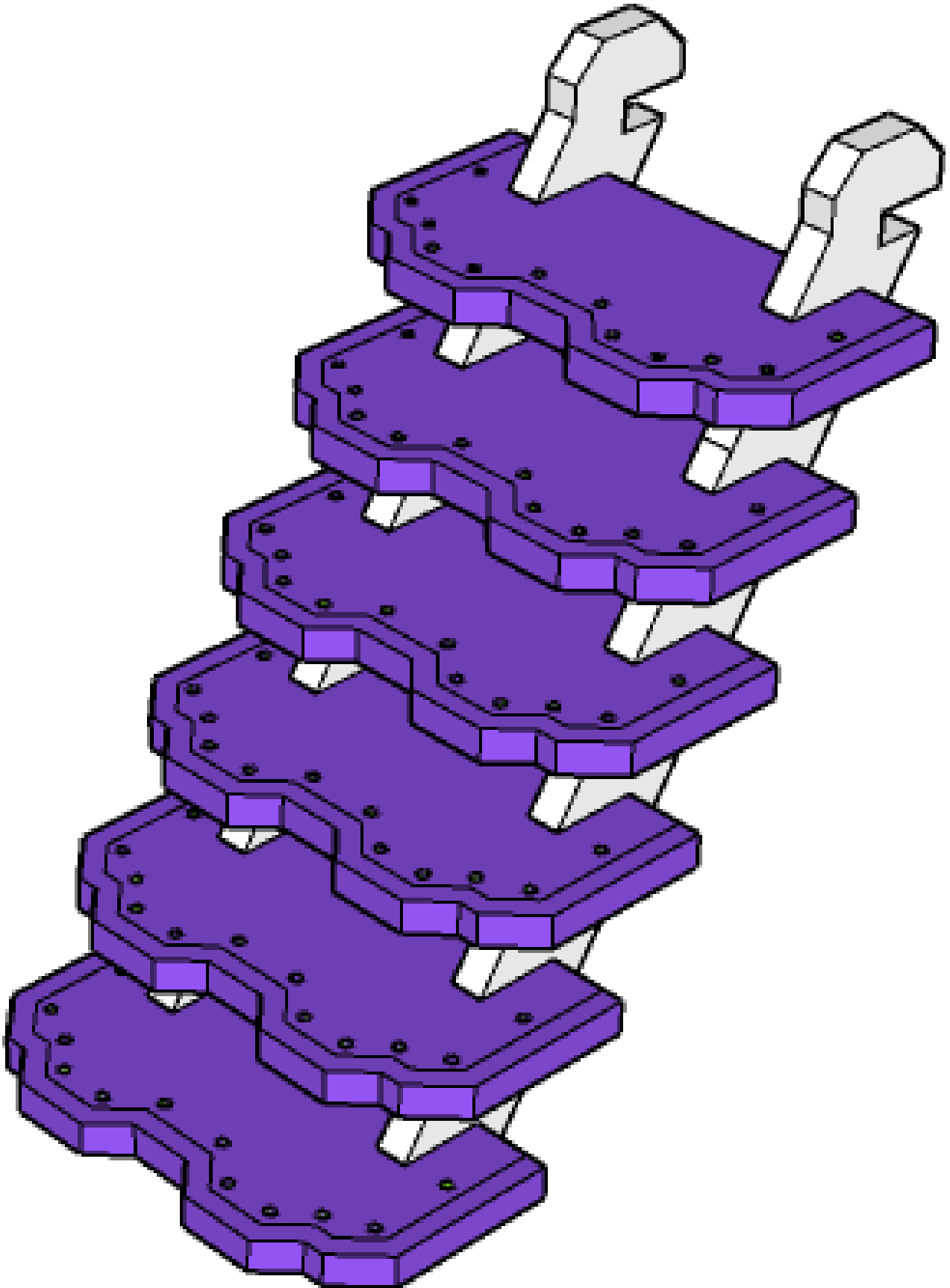






**TABLETOP  
SCENICS**

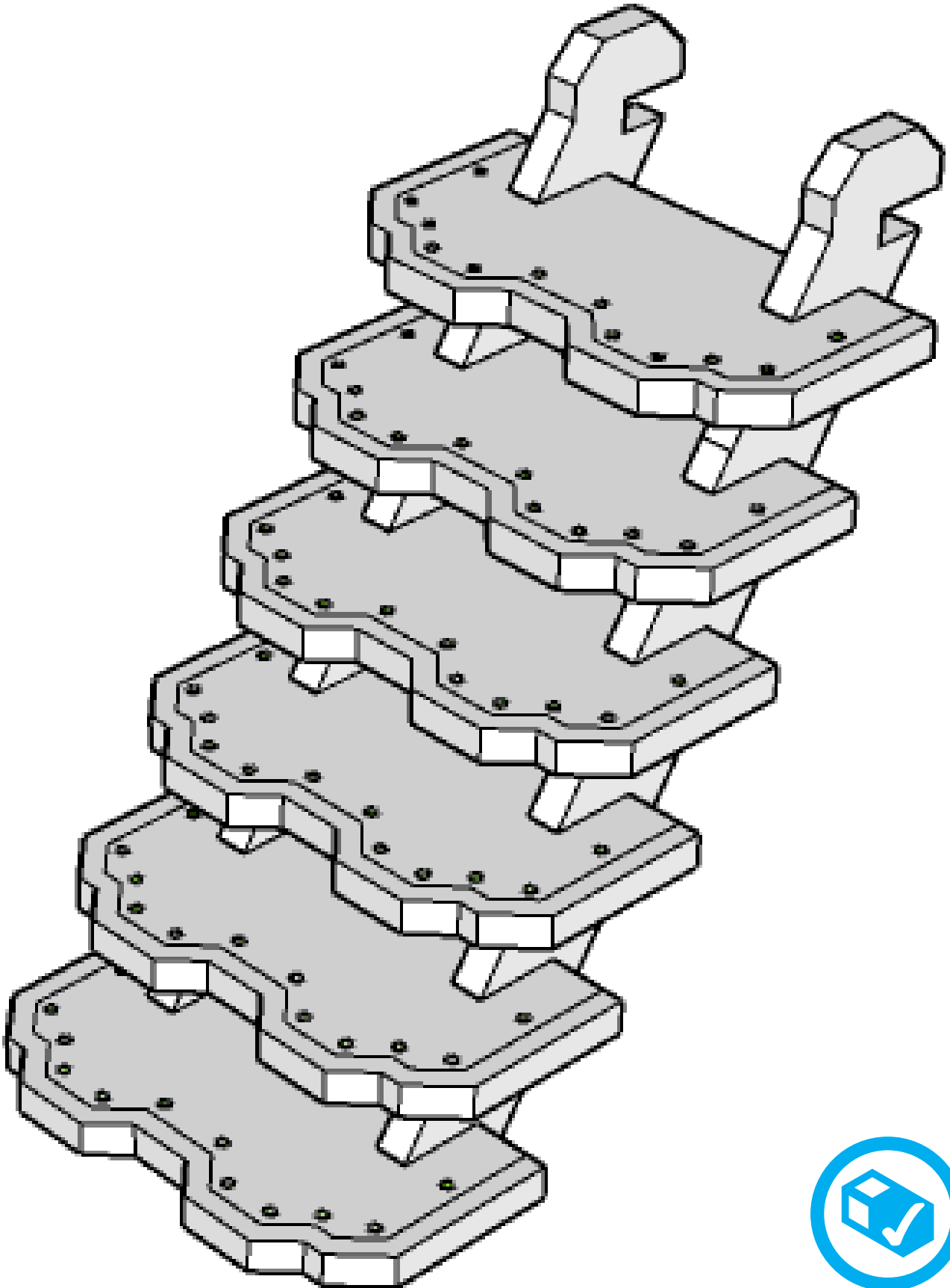
**TTSCW-SFU-106  
Prefab Chemical Lab**



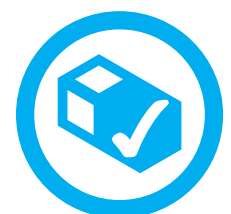


**TABLETOP  
SCENICS**

**TTSCW-SFU-106  
Prefab Chemical Lab**



**10**

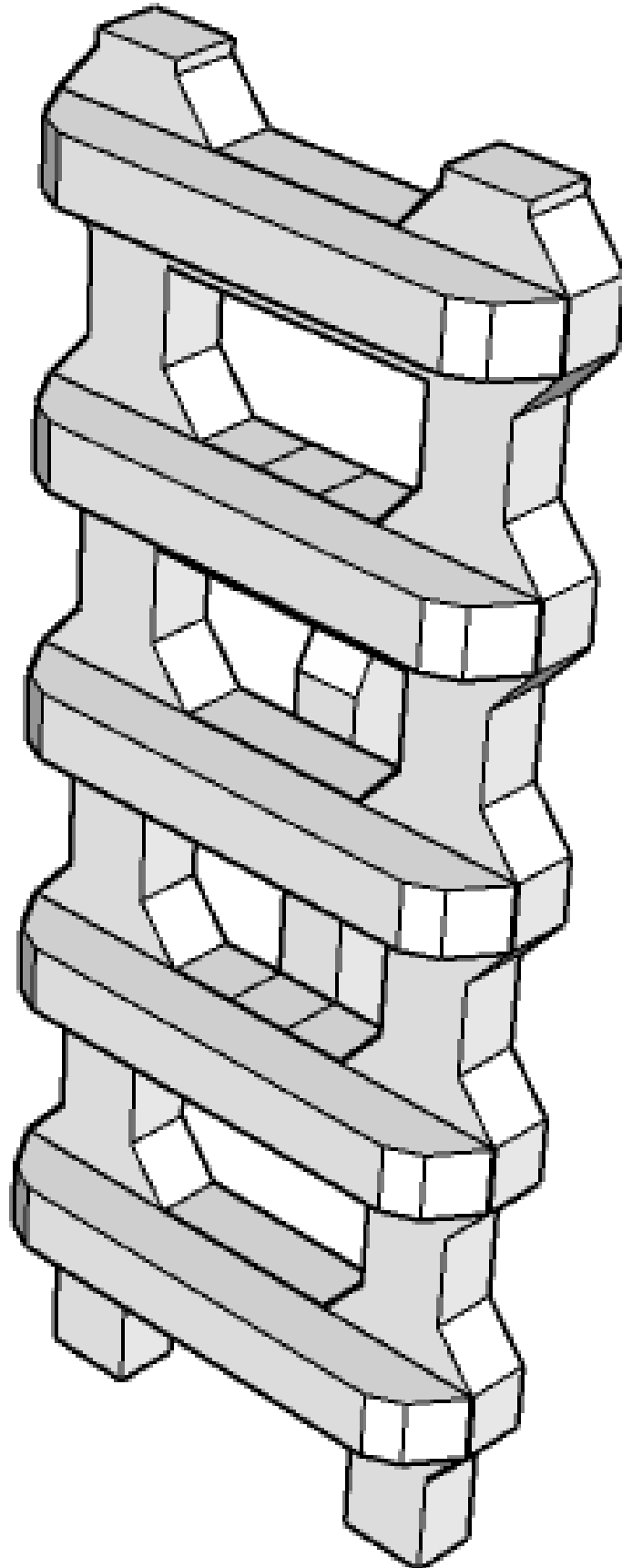


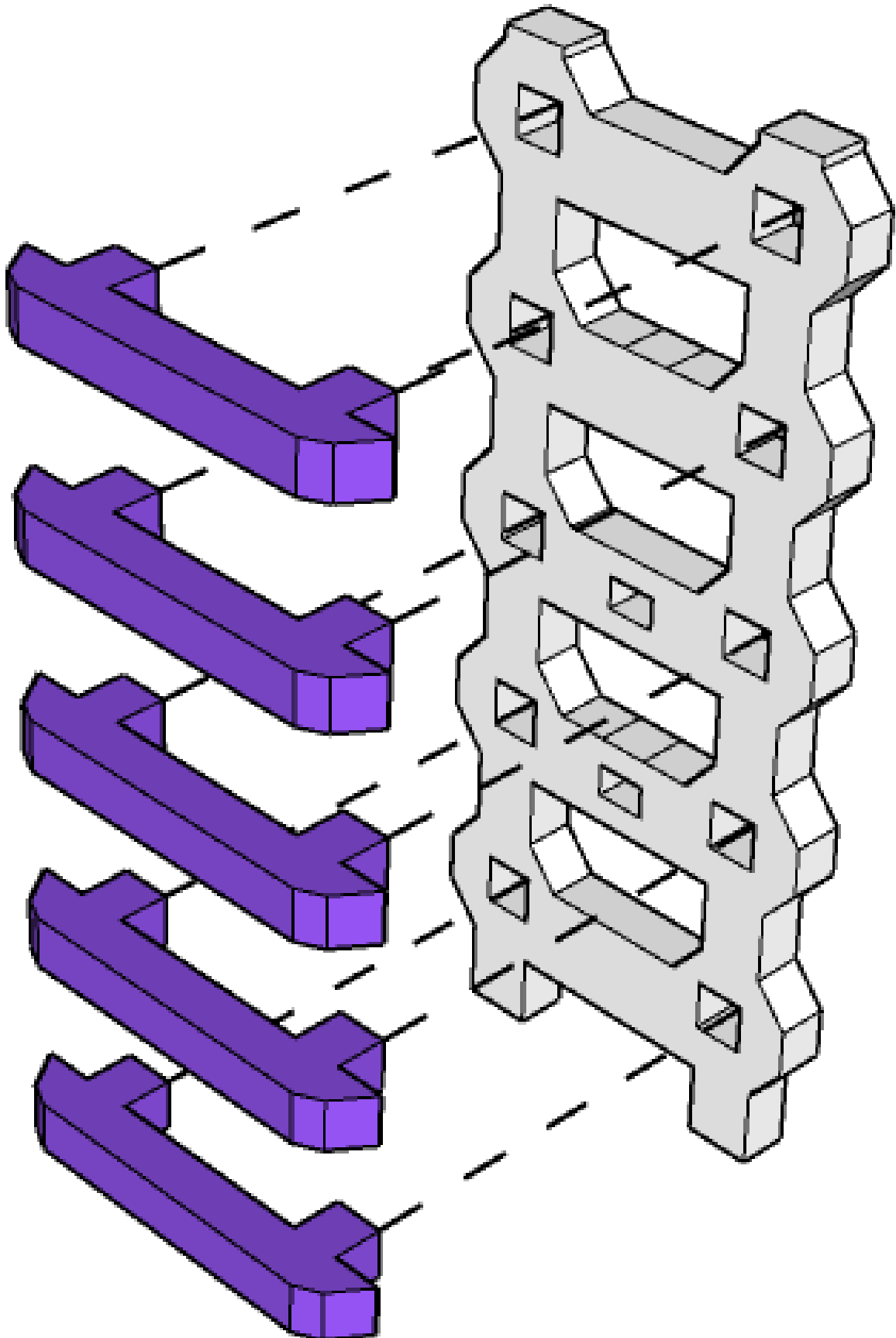
**TTCOMBAT**



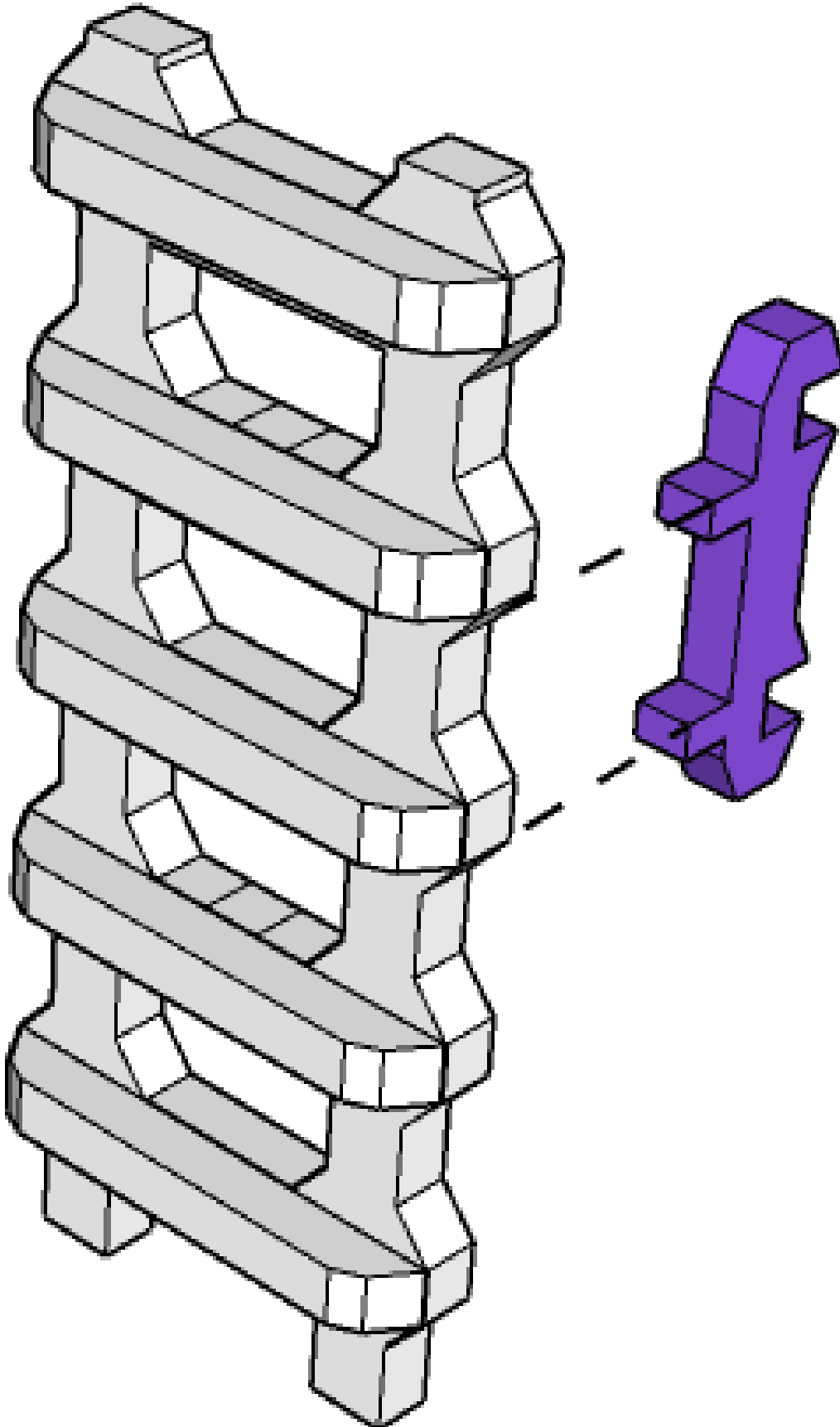
**TABLETOP  
SCENICS**

**TTSCW-SFU-106  
Prefab Chemical Lab**





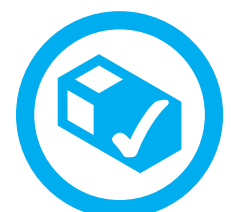
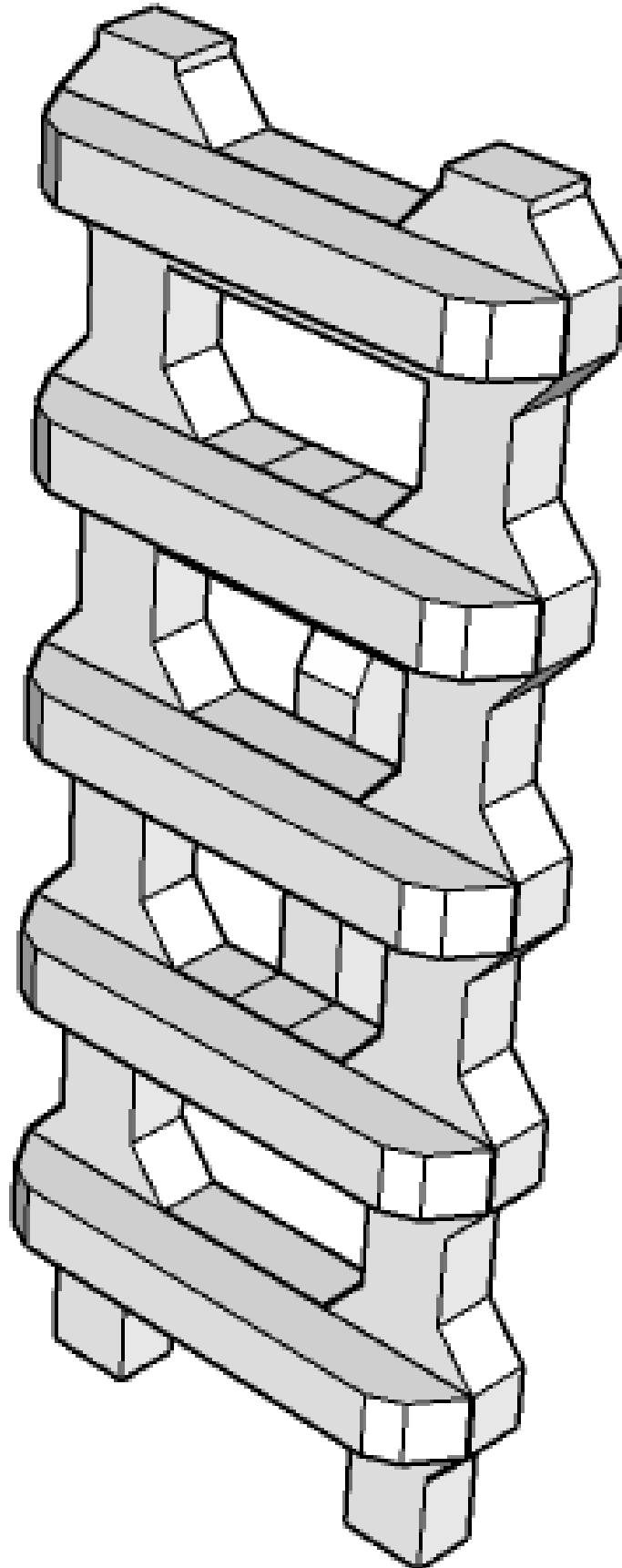






TABLETOP  
**SCENICS**

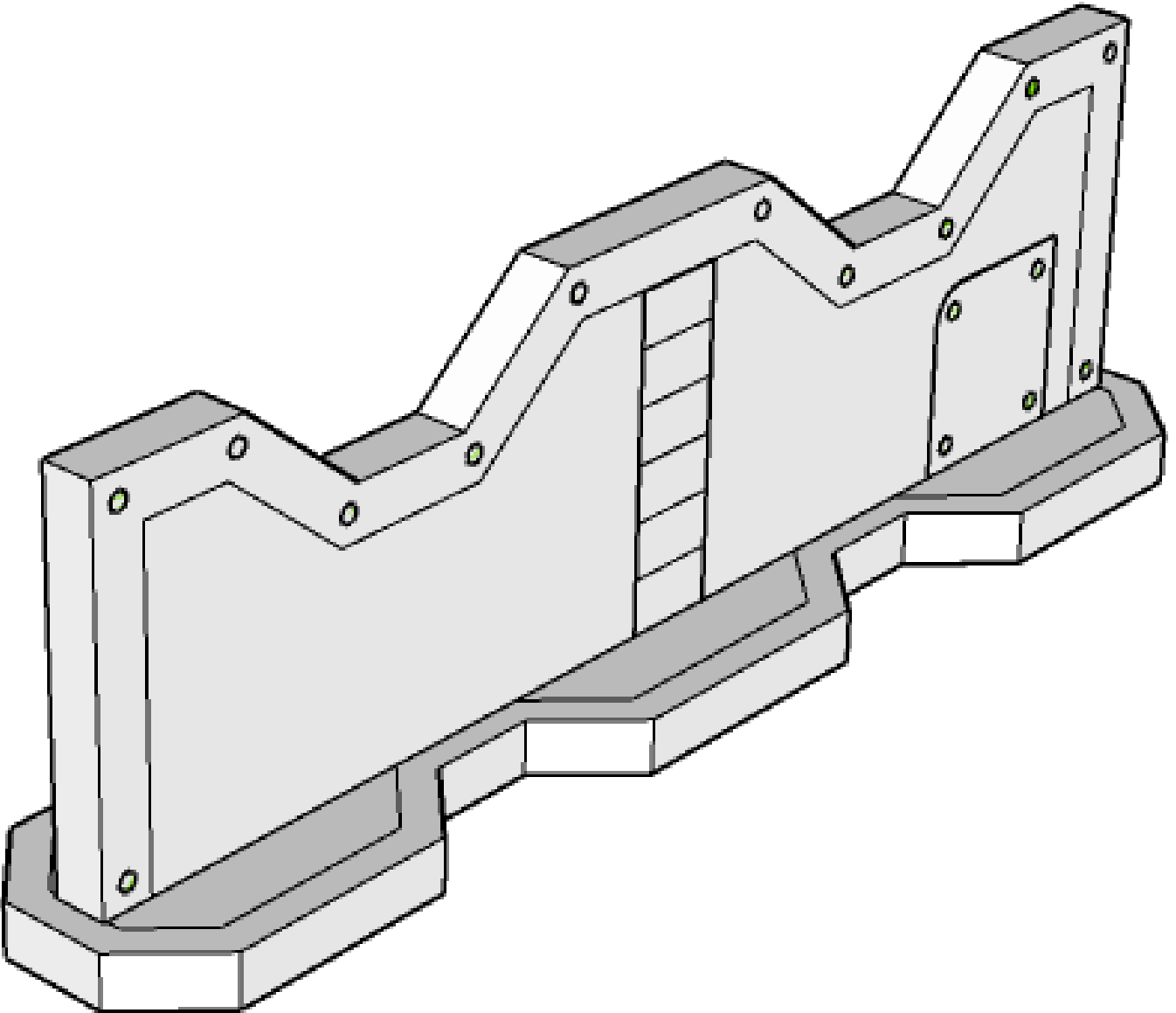
**TTSCW-SFU-106**  
**Prefab Chemical Lab**





**TABLETOP  
SCENICS**

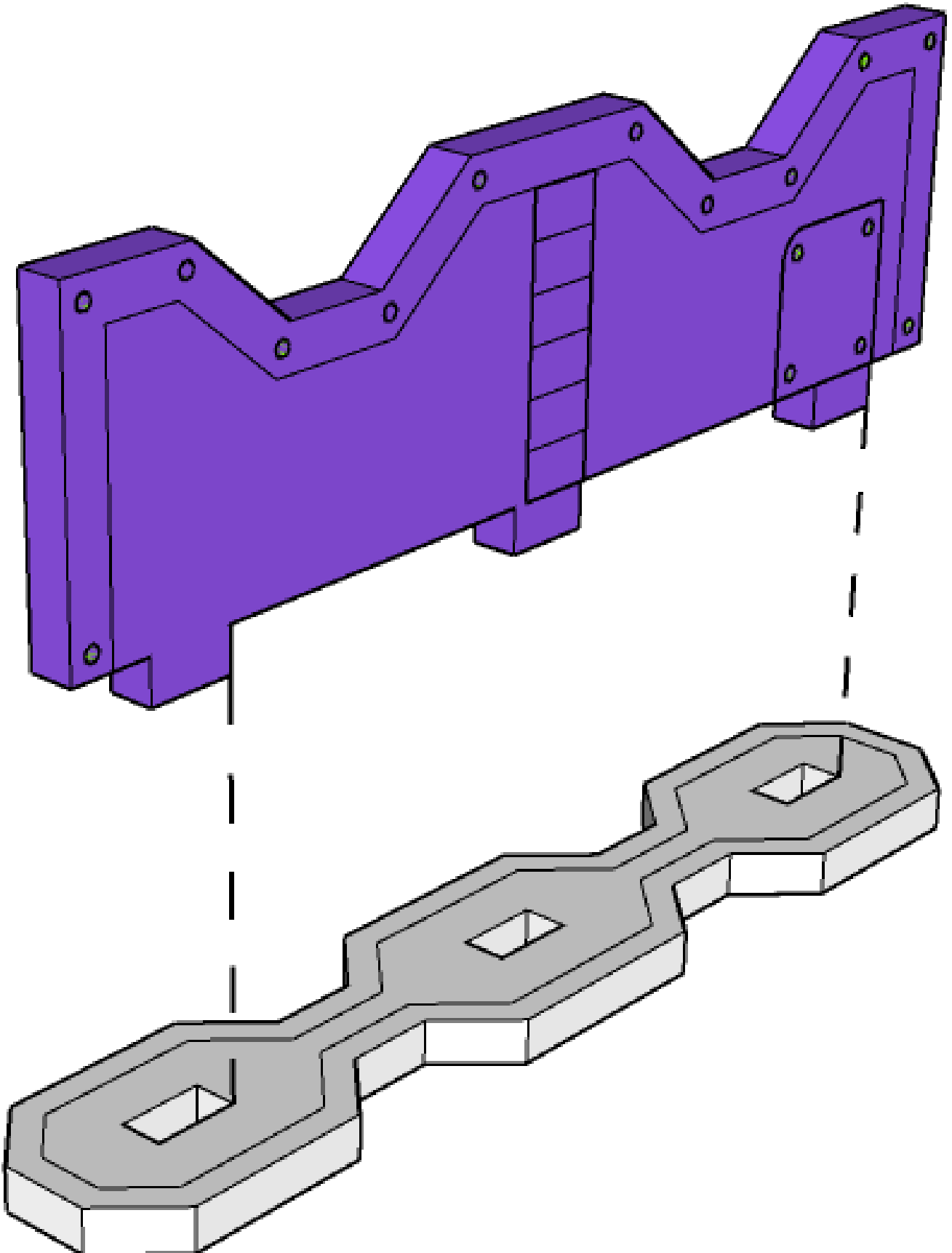
**TTSCW-SFU-106  
Prefab Chemical Lab**



**x2**

**15**

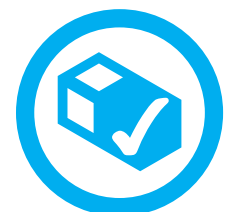
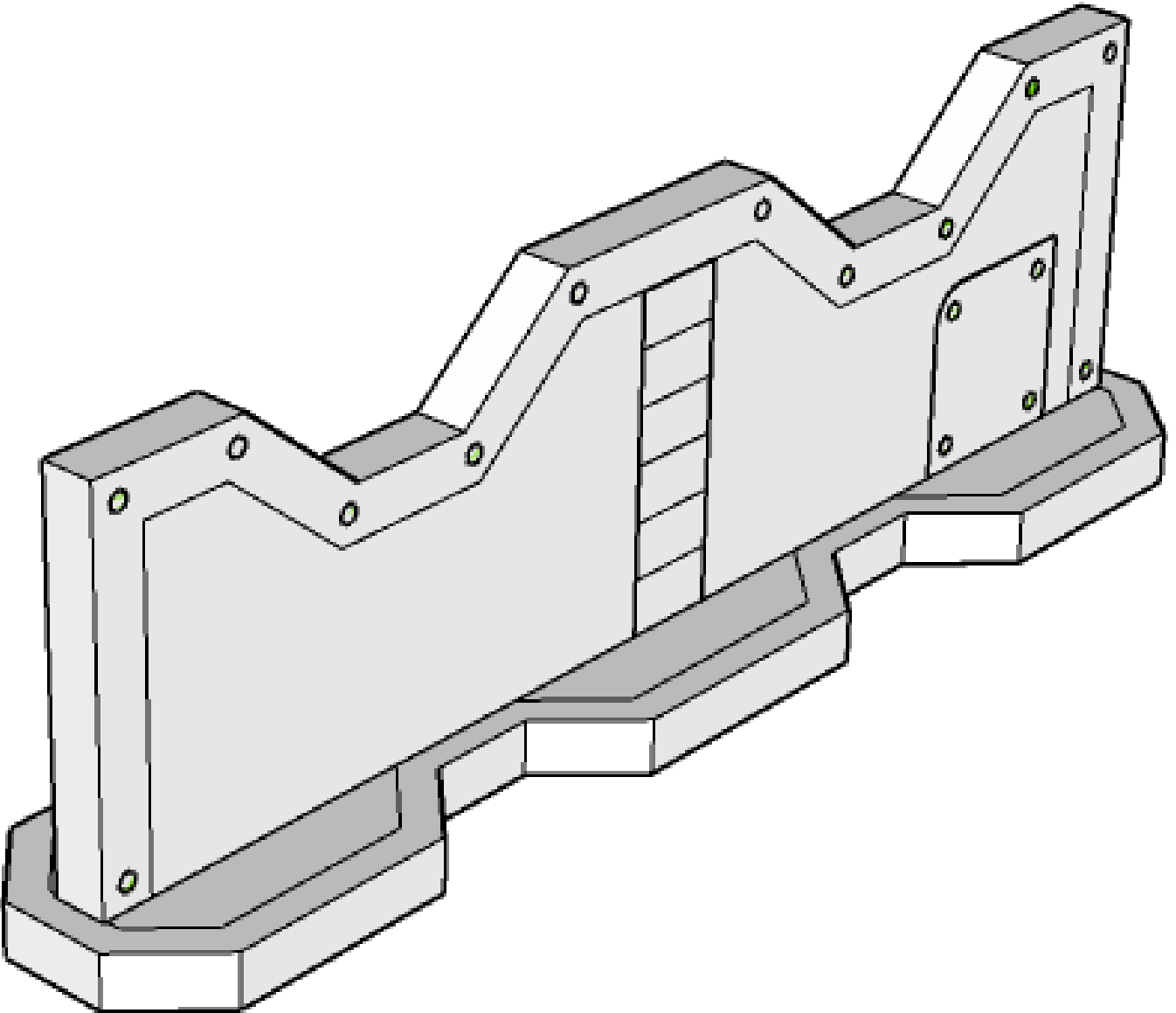
 **TTCOMBAT**





**TABLETOP  
SCENICS**

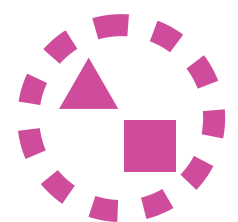
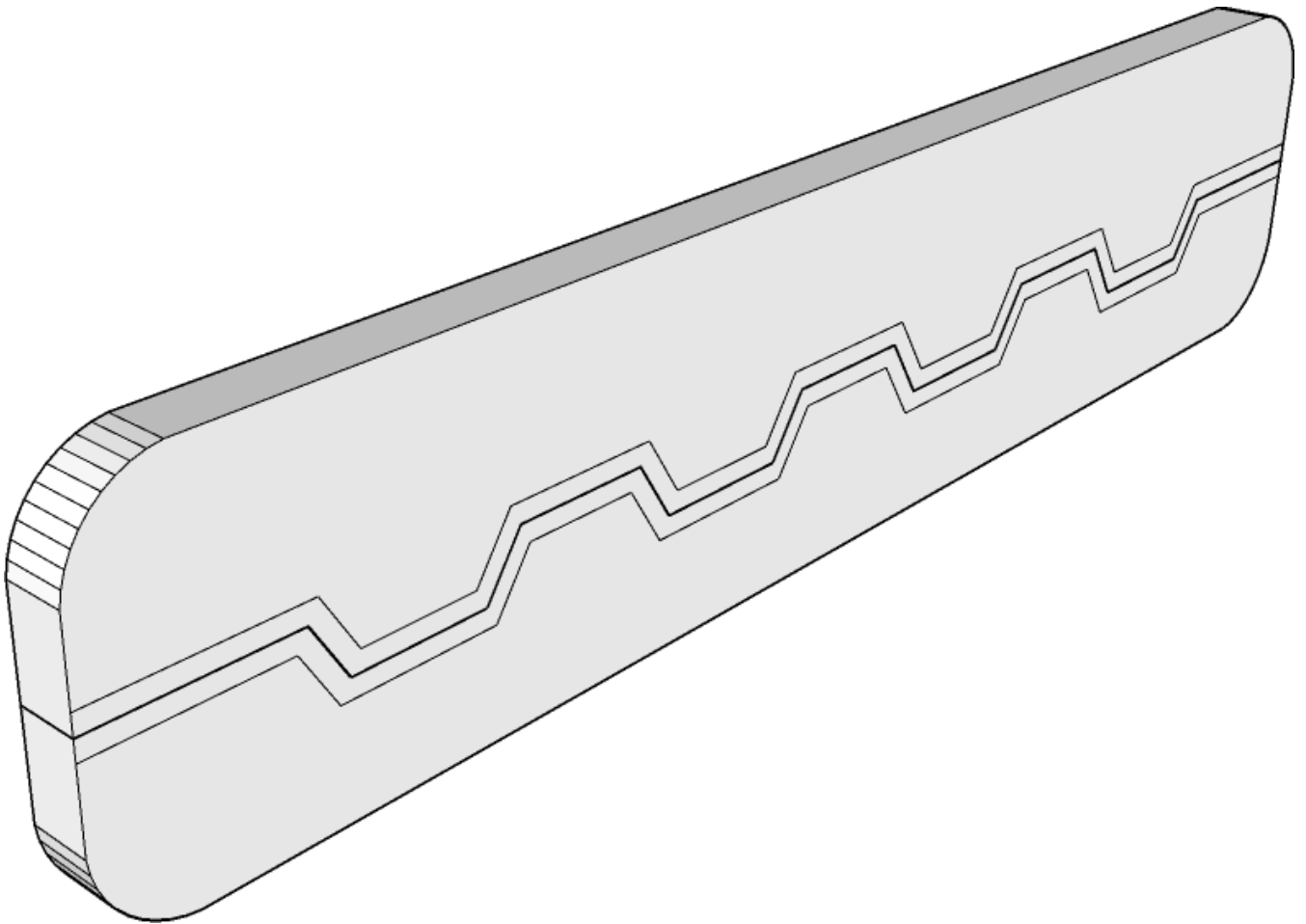
**TTSCW-SFU-106  
Prefab Chemical Lab**





**TABLETOP  
SCENICS**

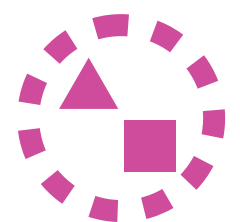
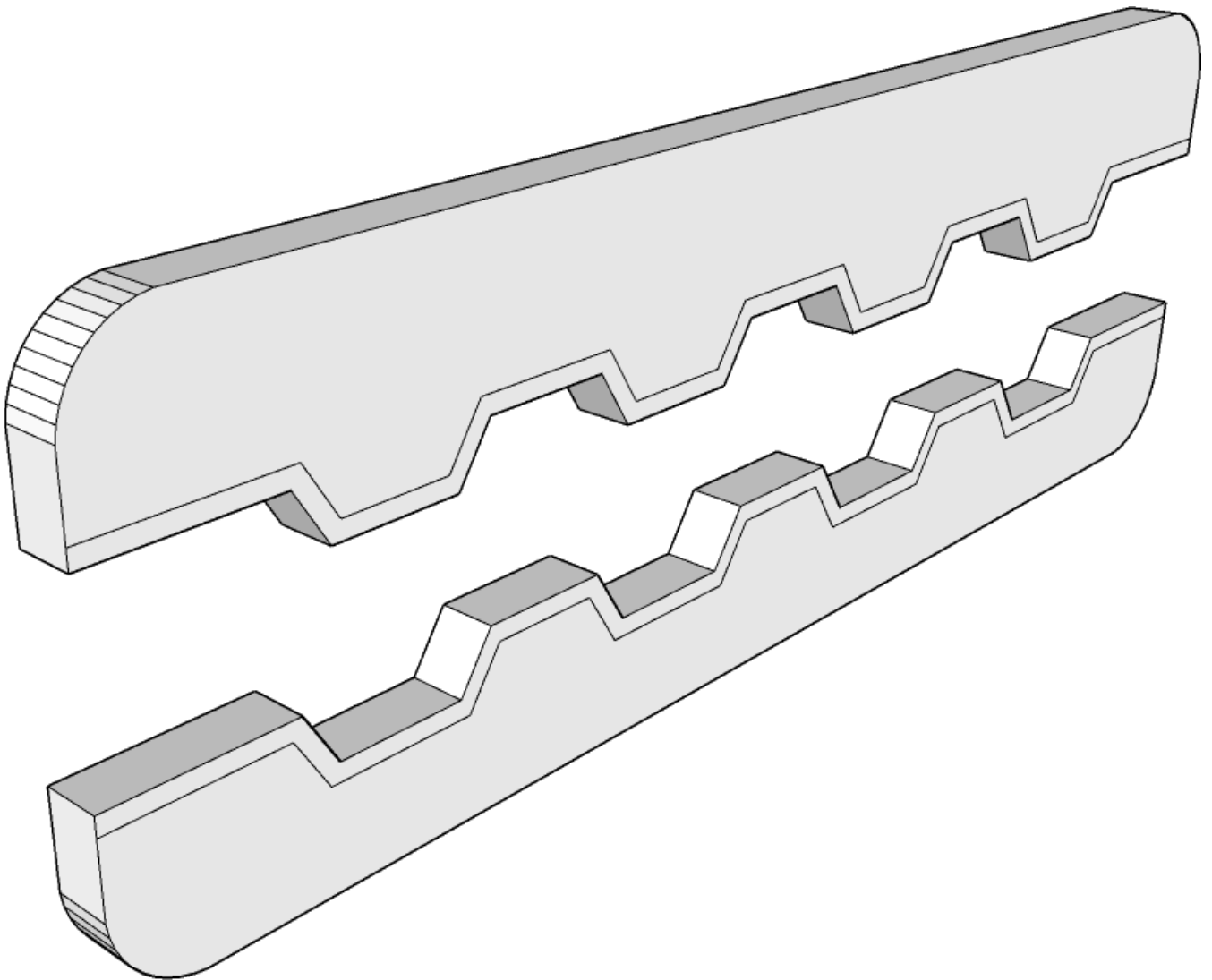
**TTSCW-SFU-106  
Prefab Chemical Lab**





**TABLETOP  
SCENICS**

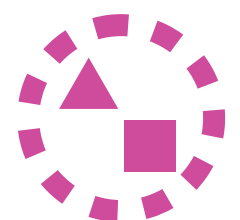
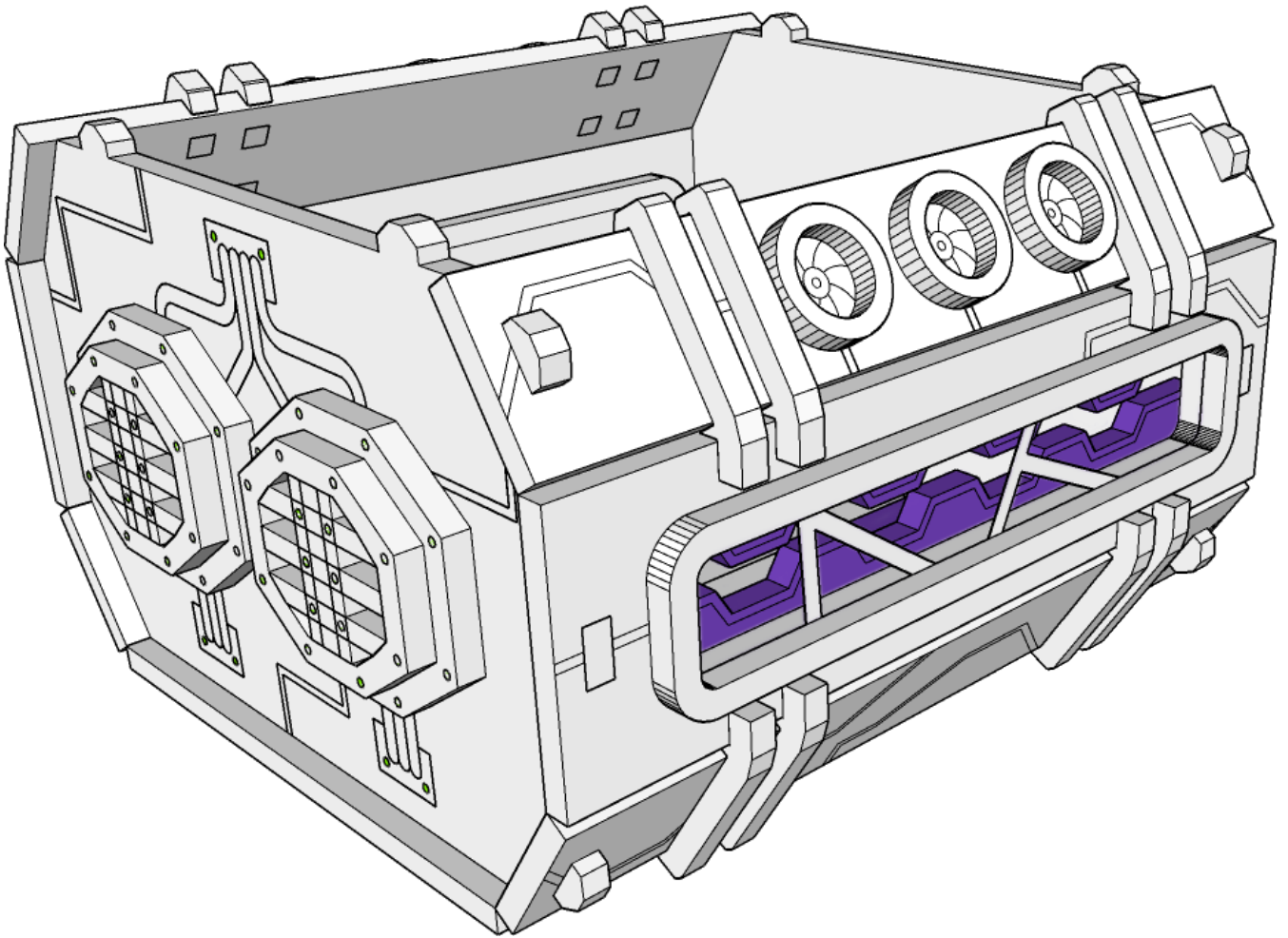
**TTSCW-SFU-106  
Prefab Chemical Lab**





**TABLETOP  
SCENICS**

**TTSCW-SFU-106  
Prefab Chemical Lab**

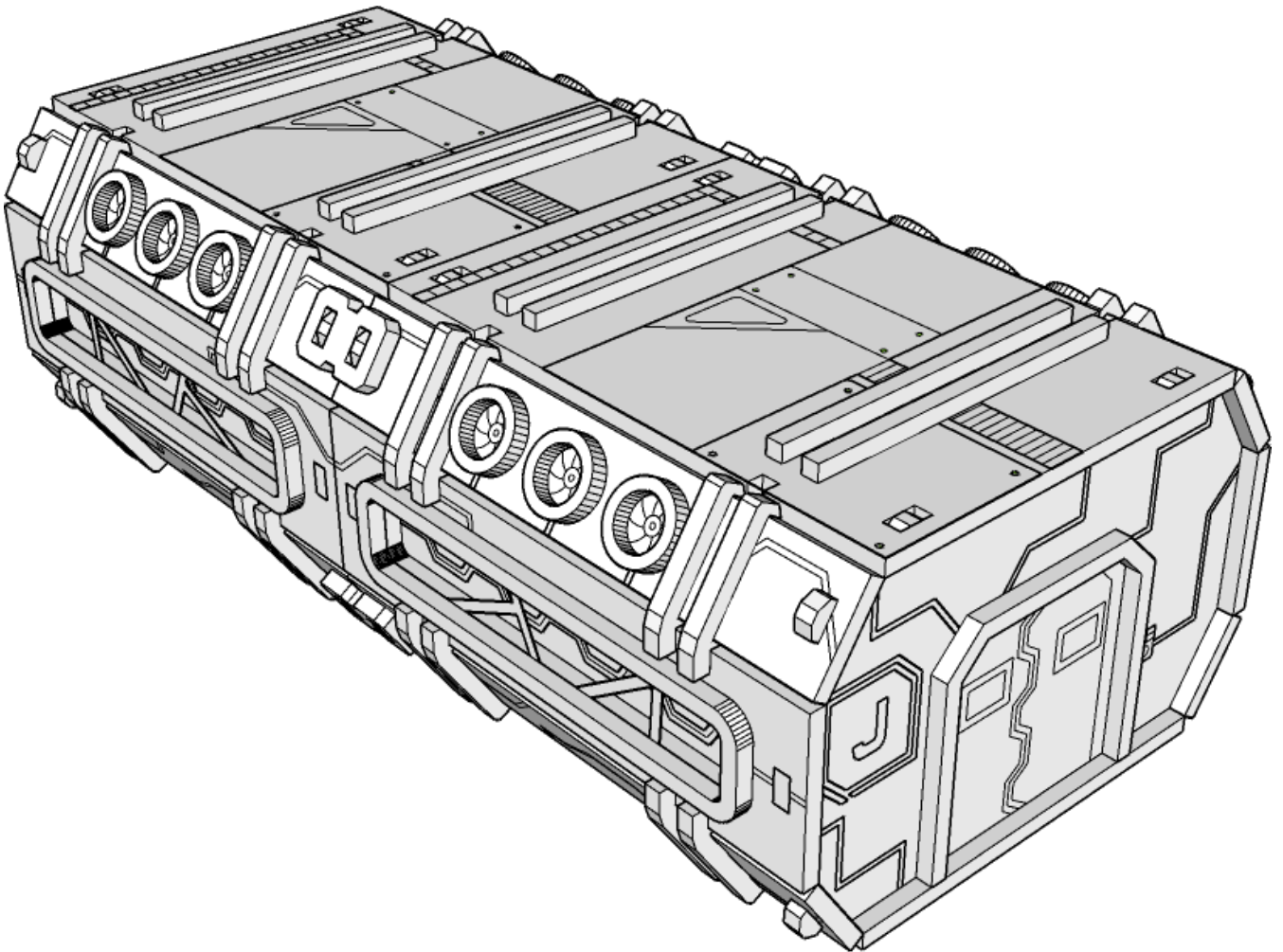






**TABLETOP  
SCENICS**

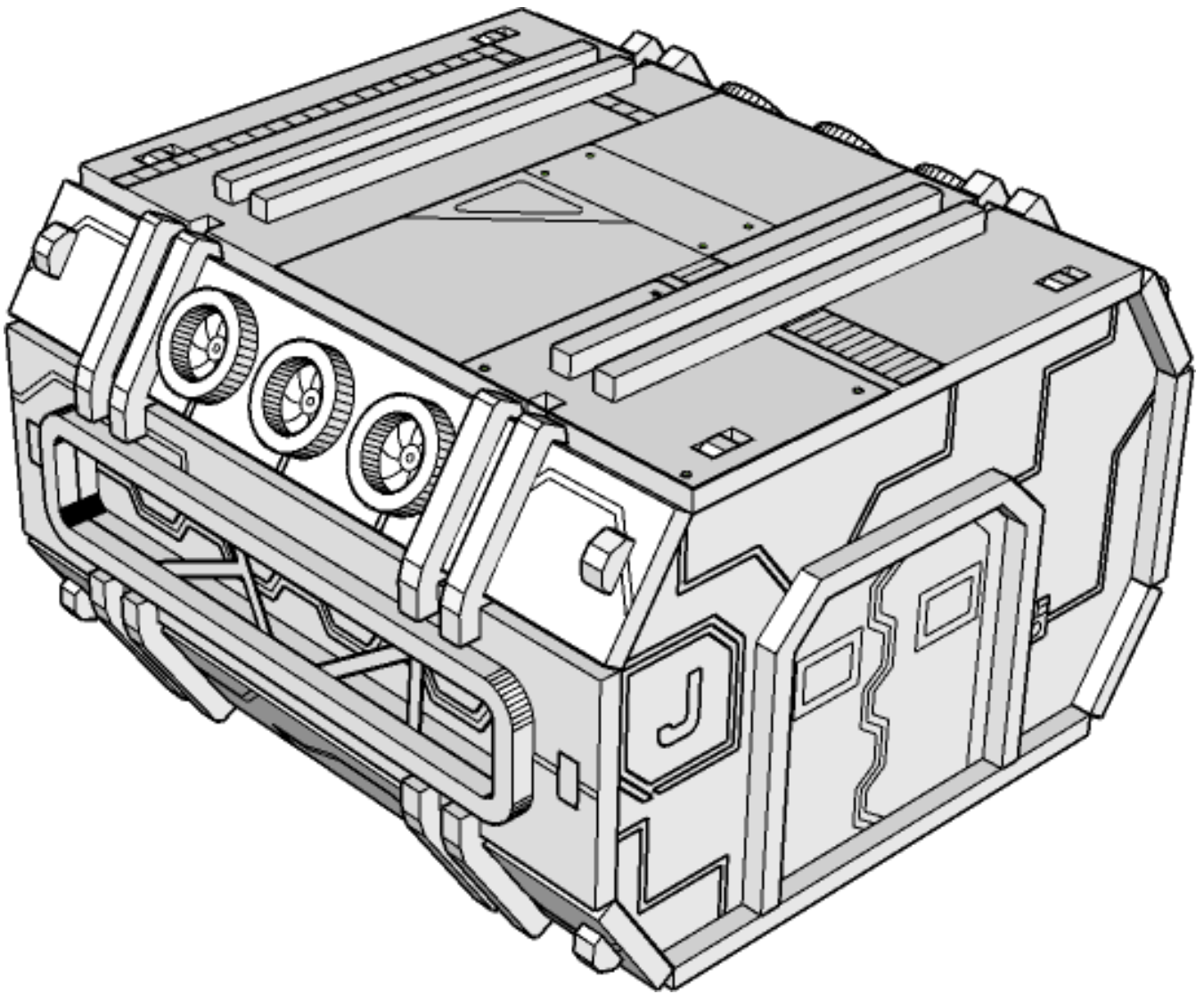
**TTSCW-SFU-106  
Prefab Chemical Lab**

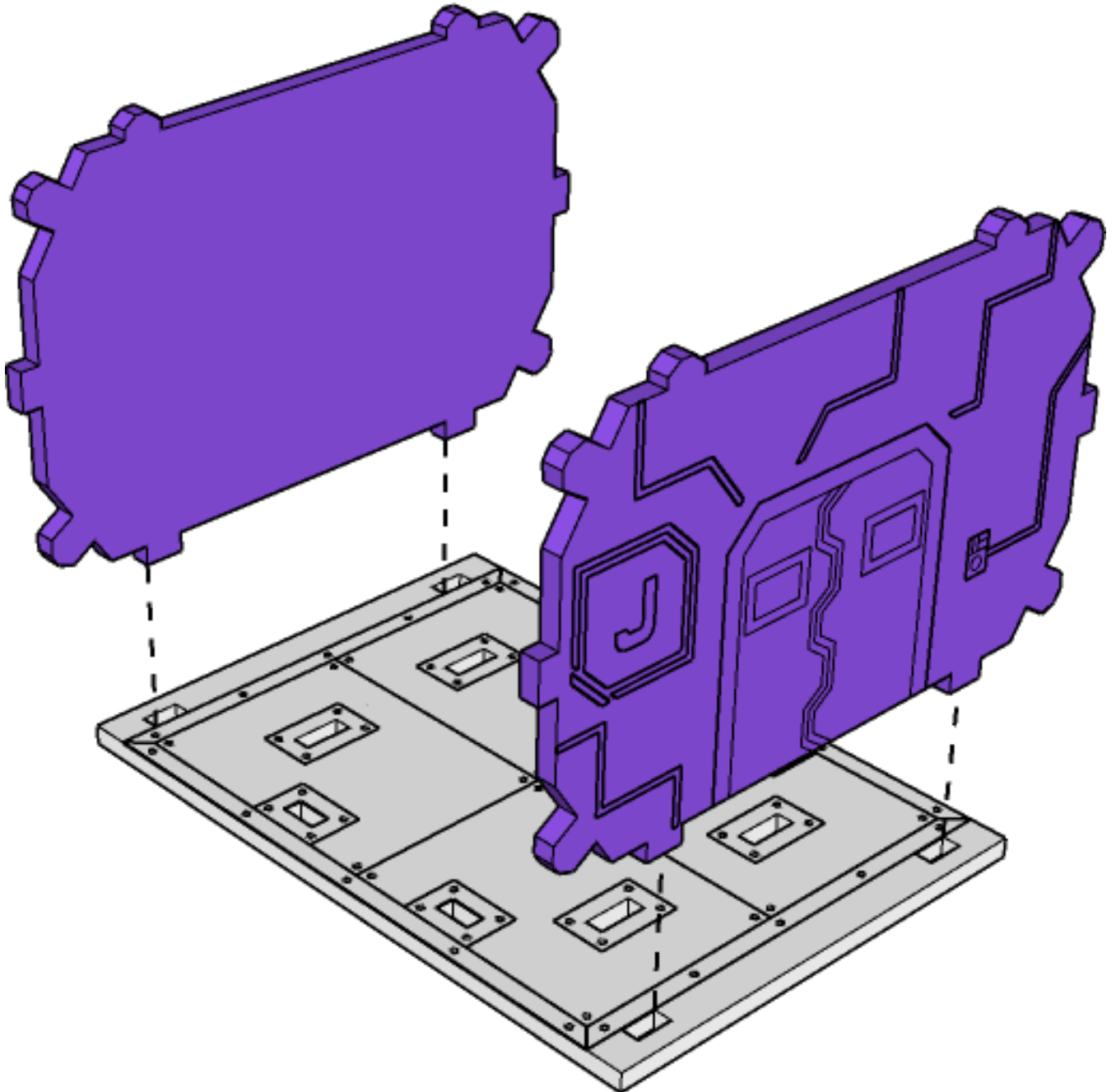


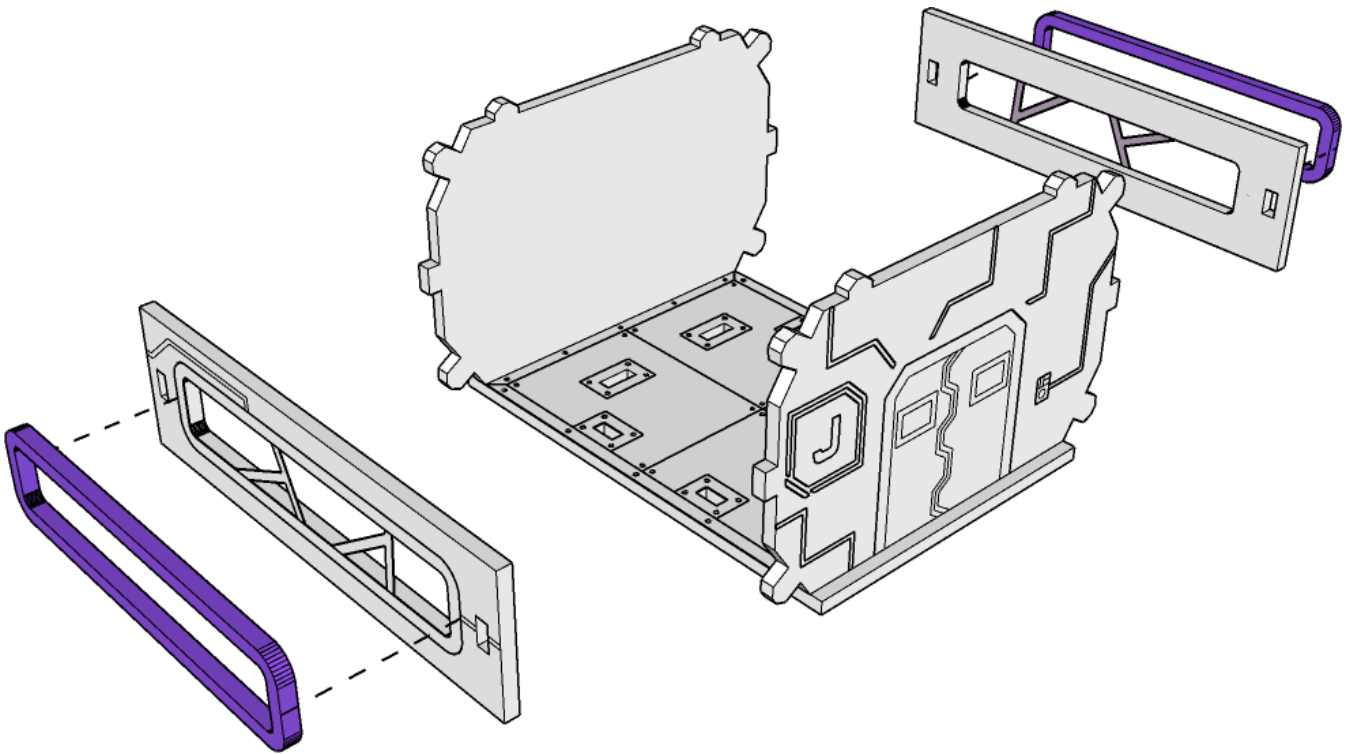


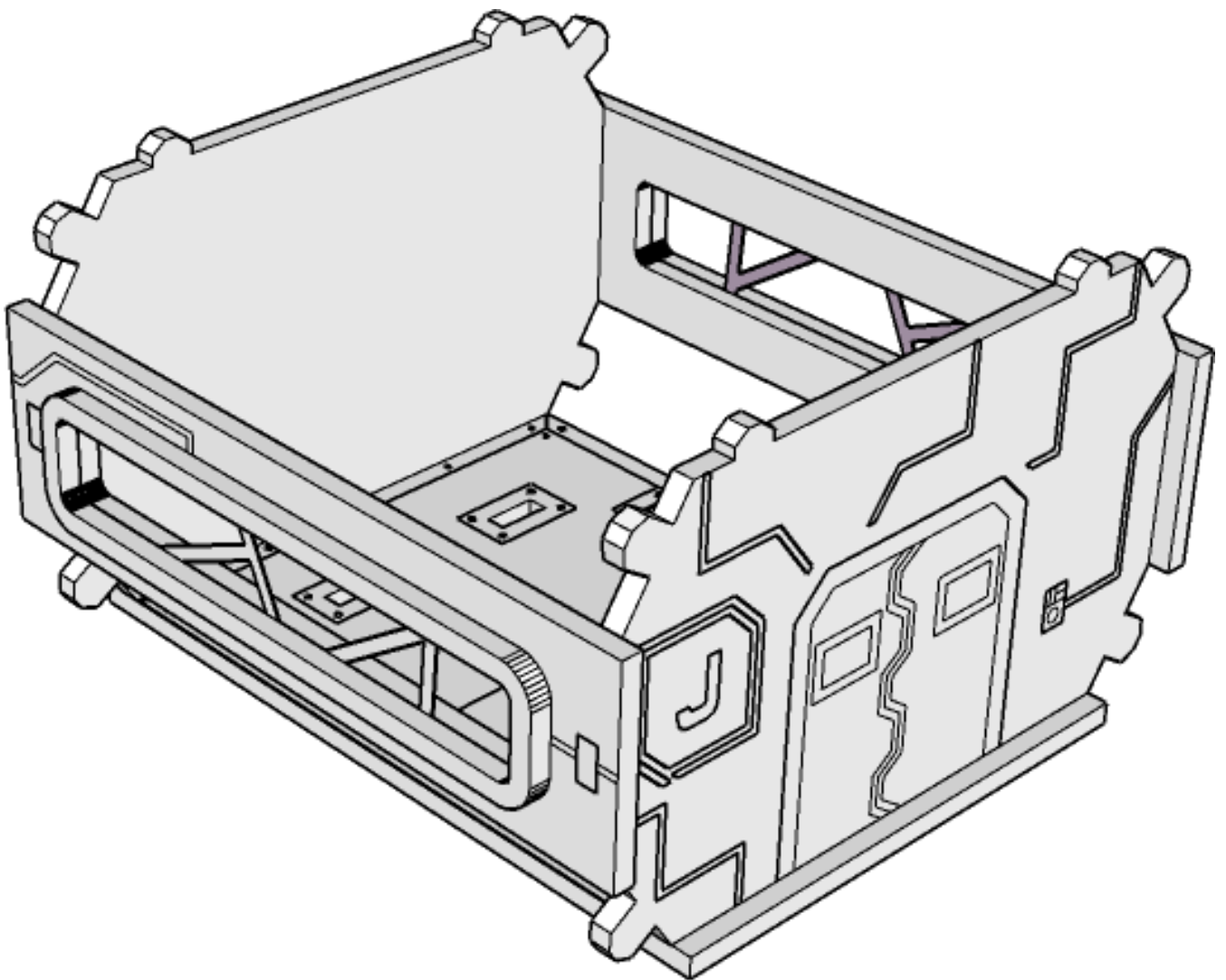
**TABLETOP  
SCENICS**

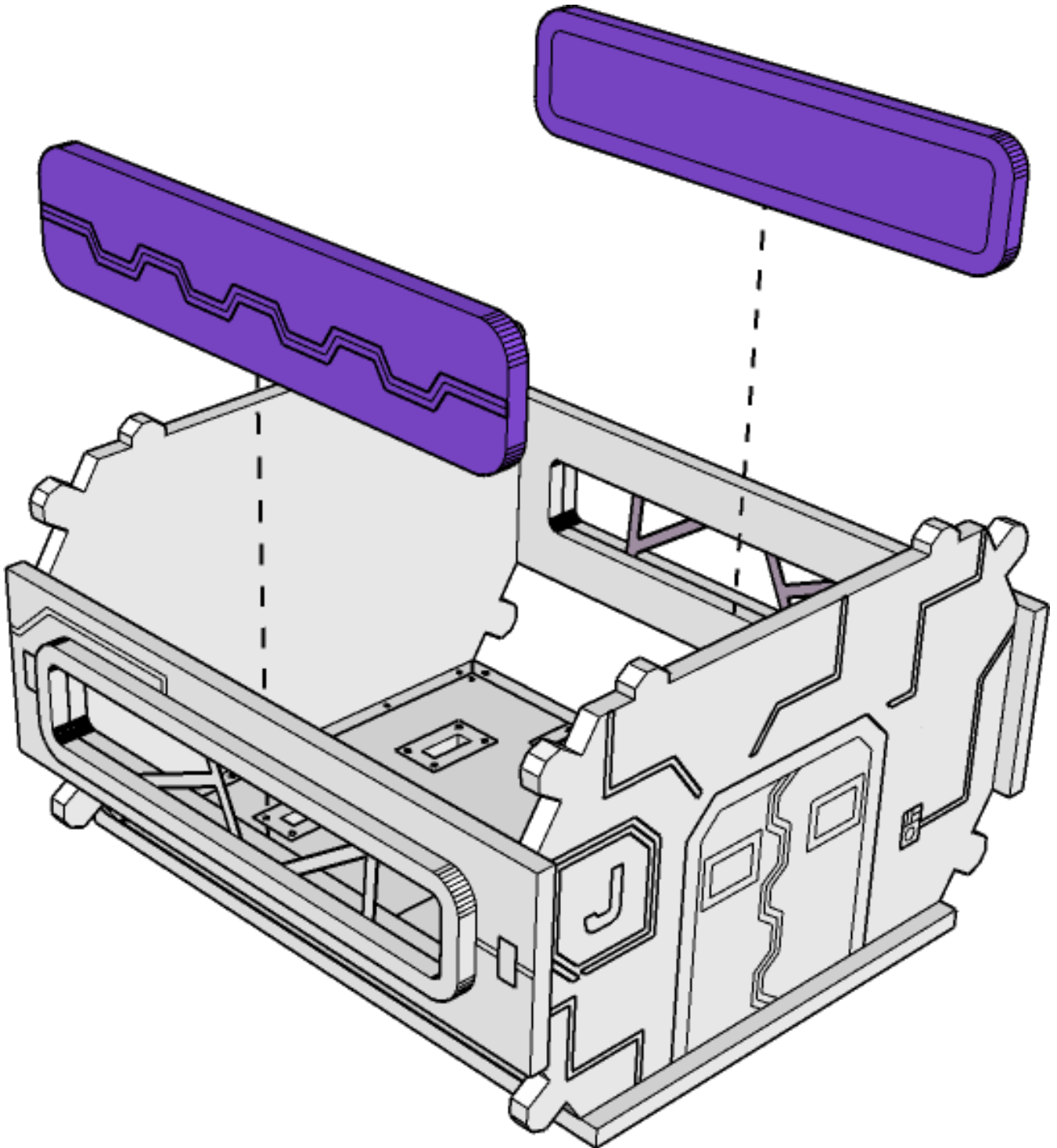
**TTSCW-SFU-106  
Prefab Chemical Lab**









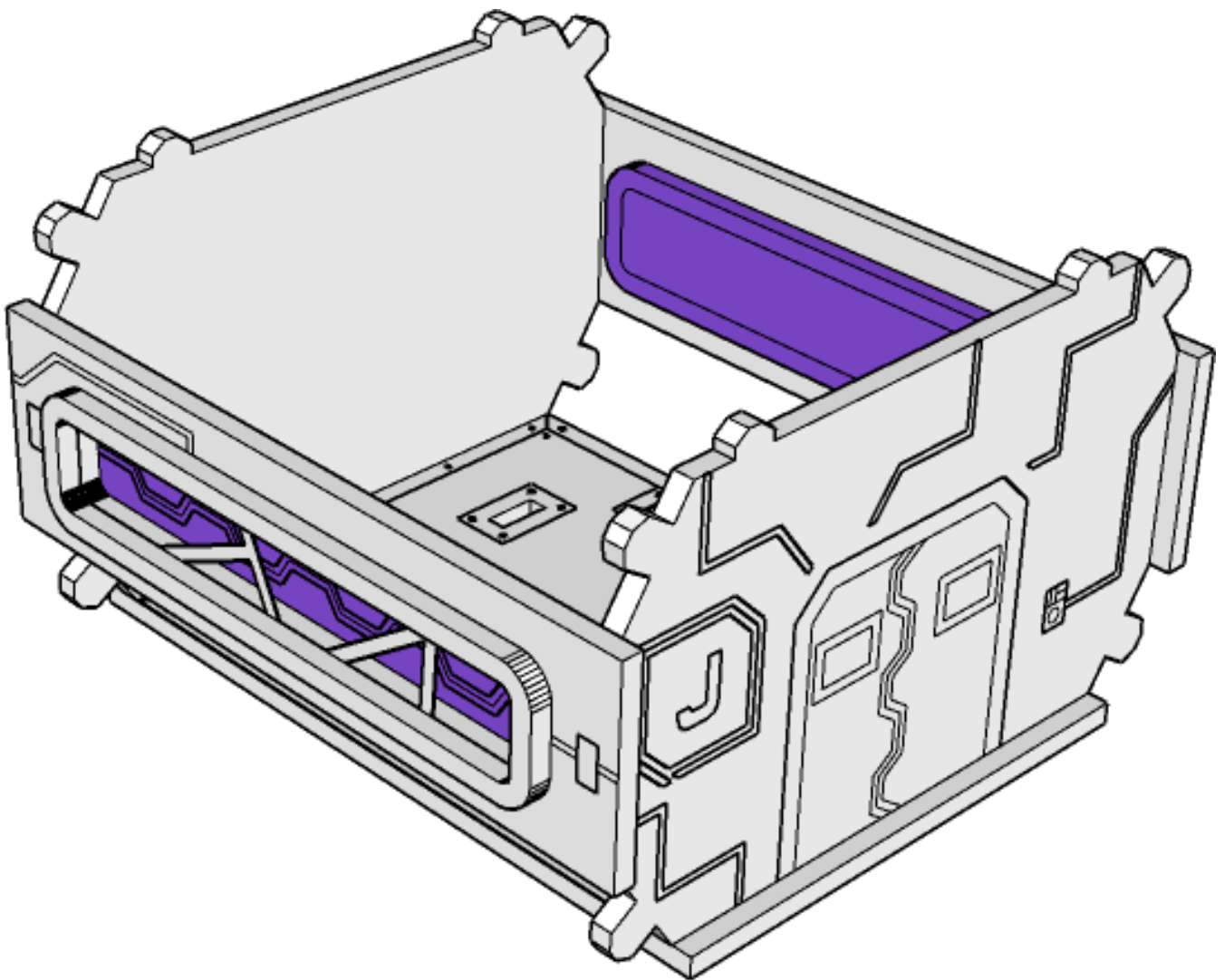


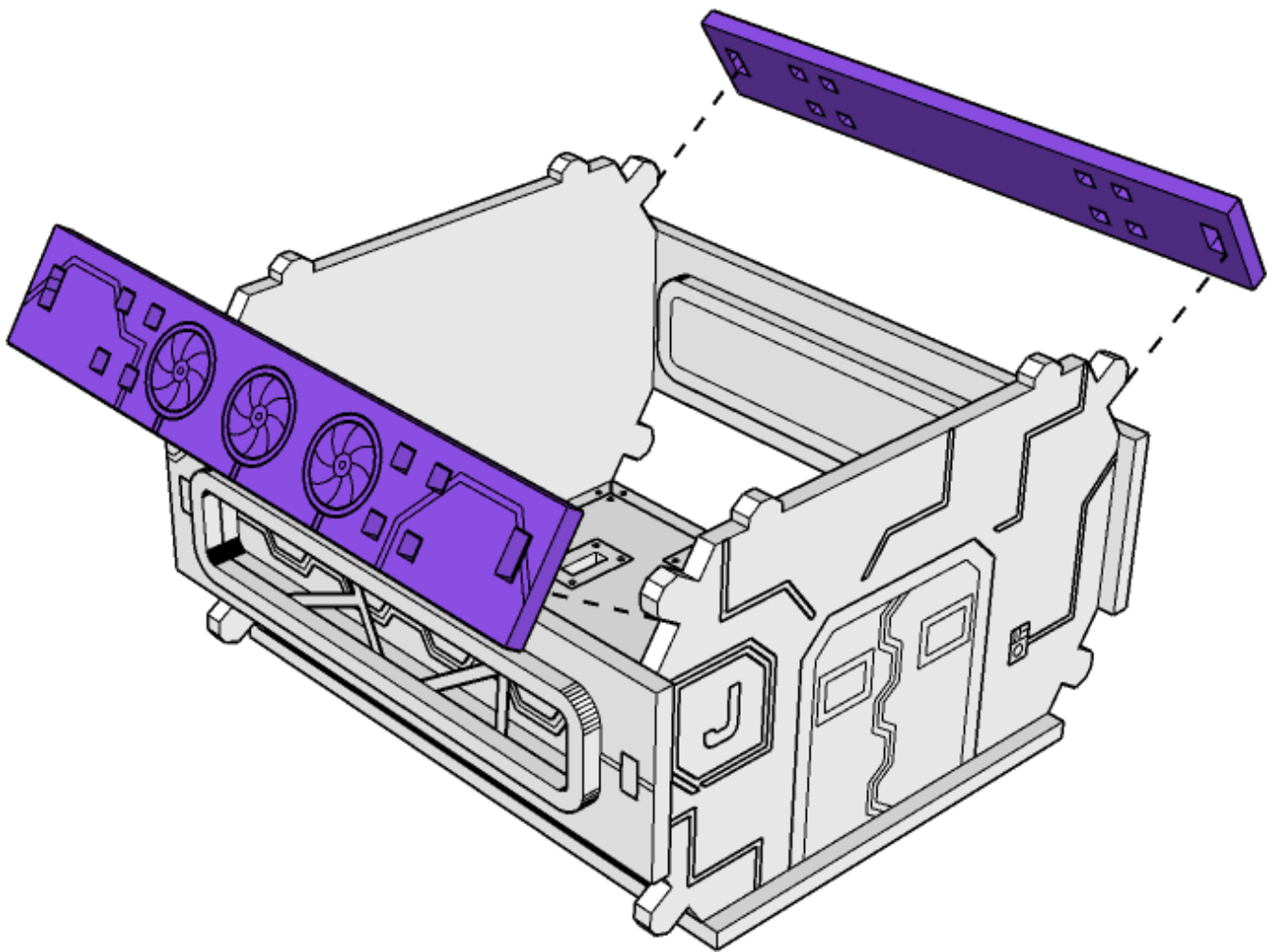




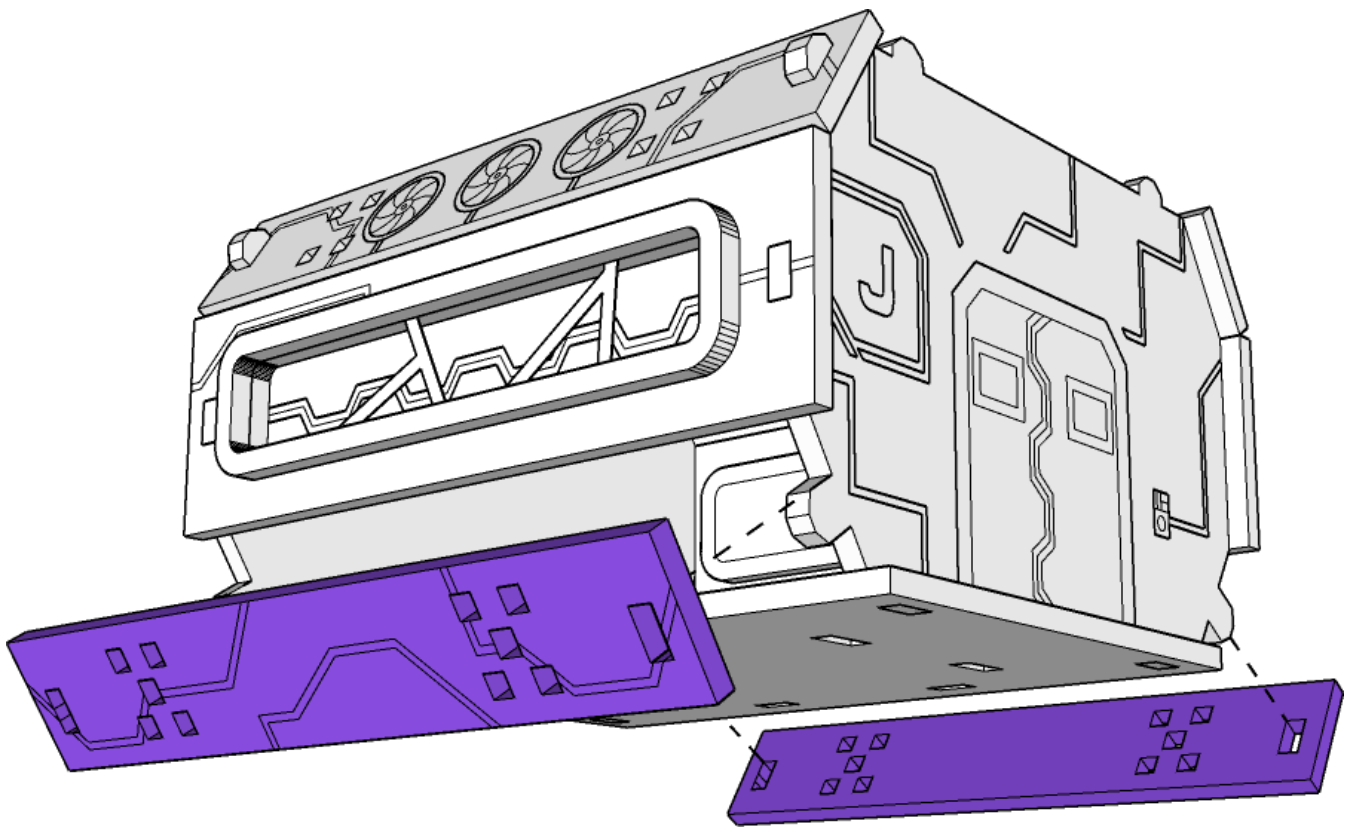
**TABLETOP  
SCENICS**

**TTSCW-SFU-106  
Prefab Chemical Lab**





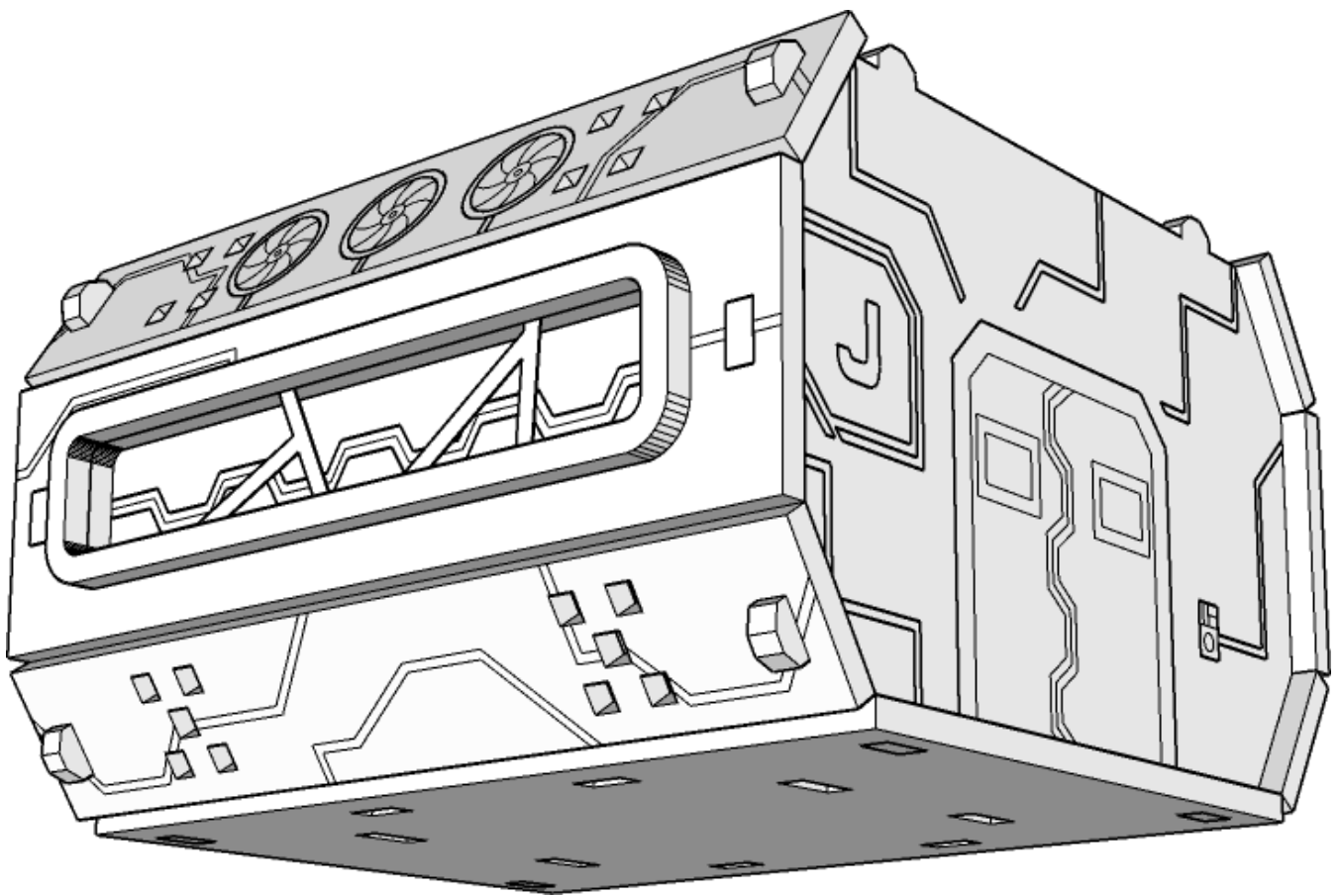


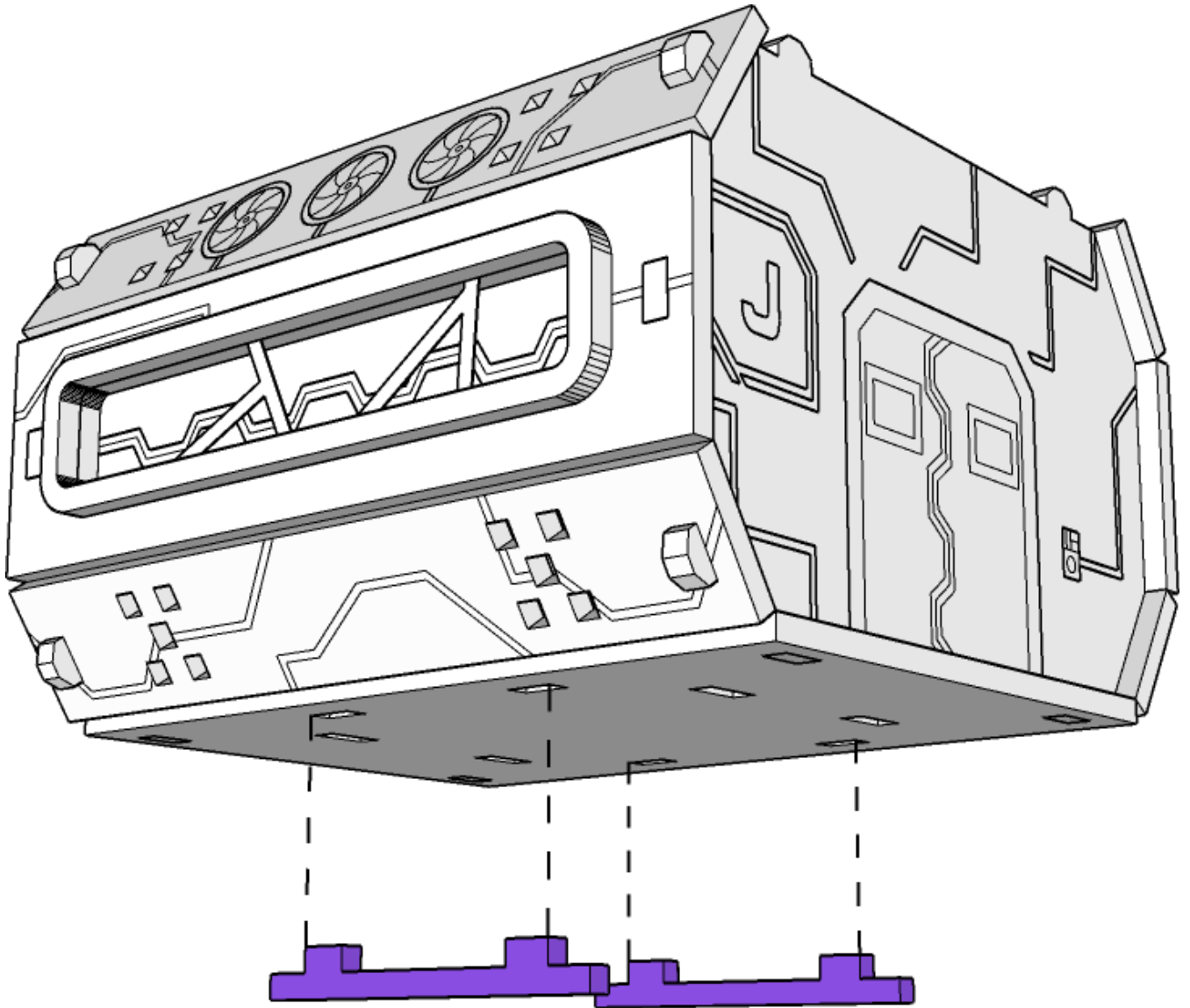


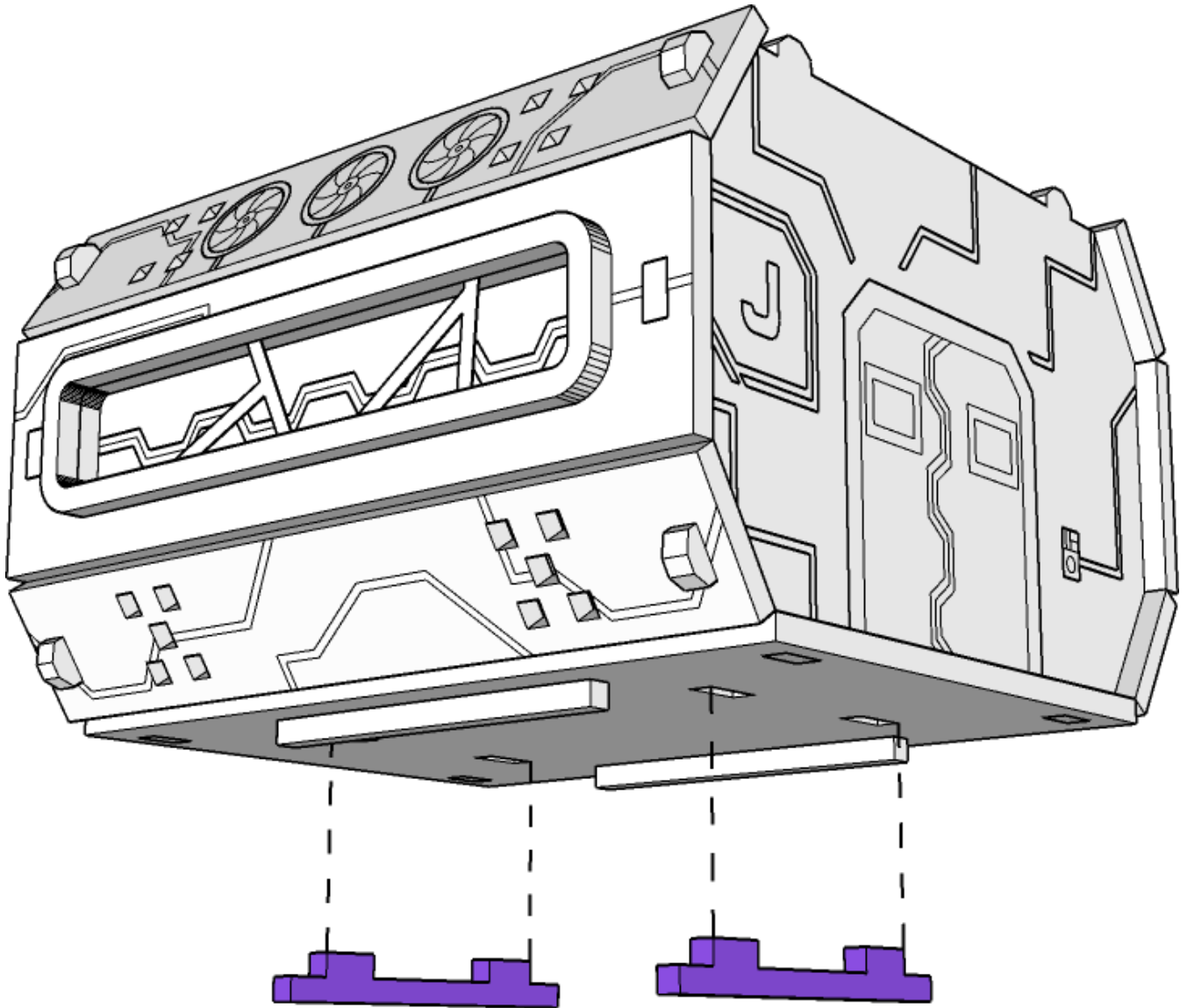


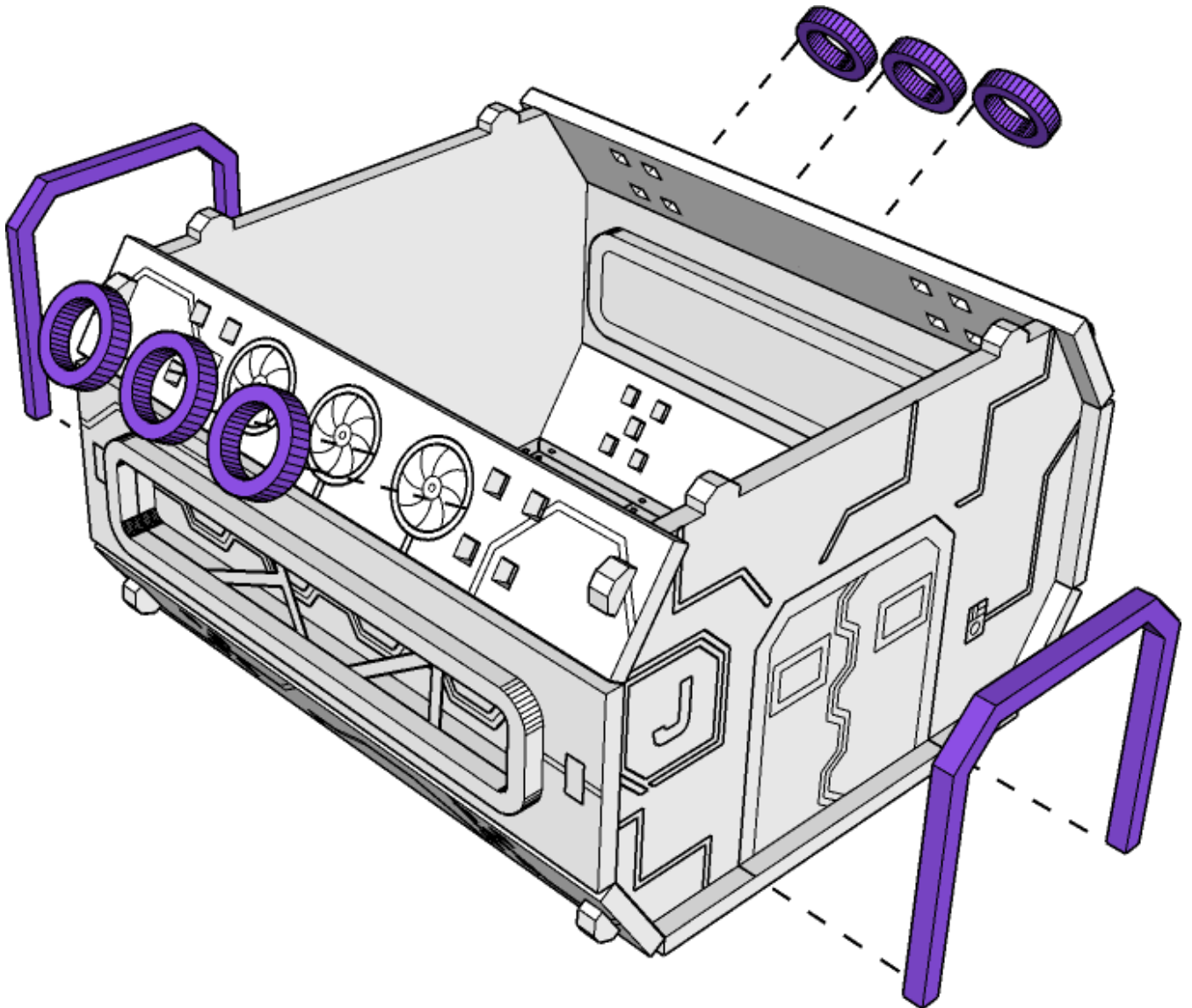
**TABLETOP  
SCENICS**

**TTSCW-SFU-106  
Prefab Chemical Lab**





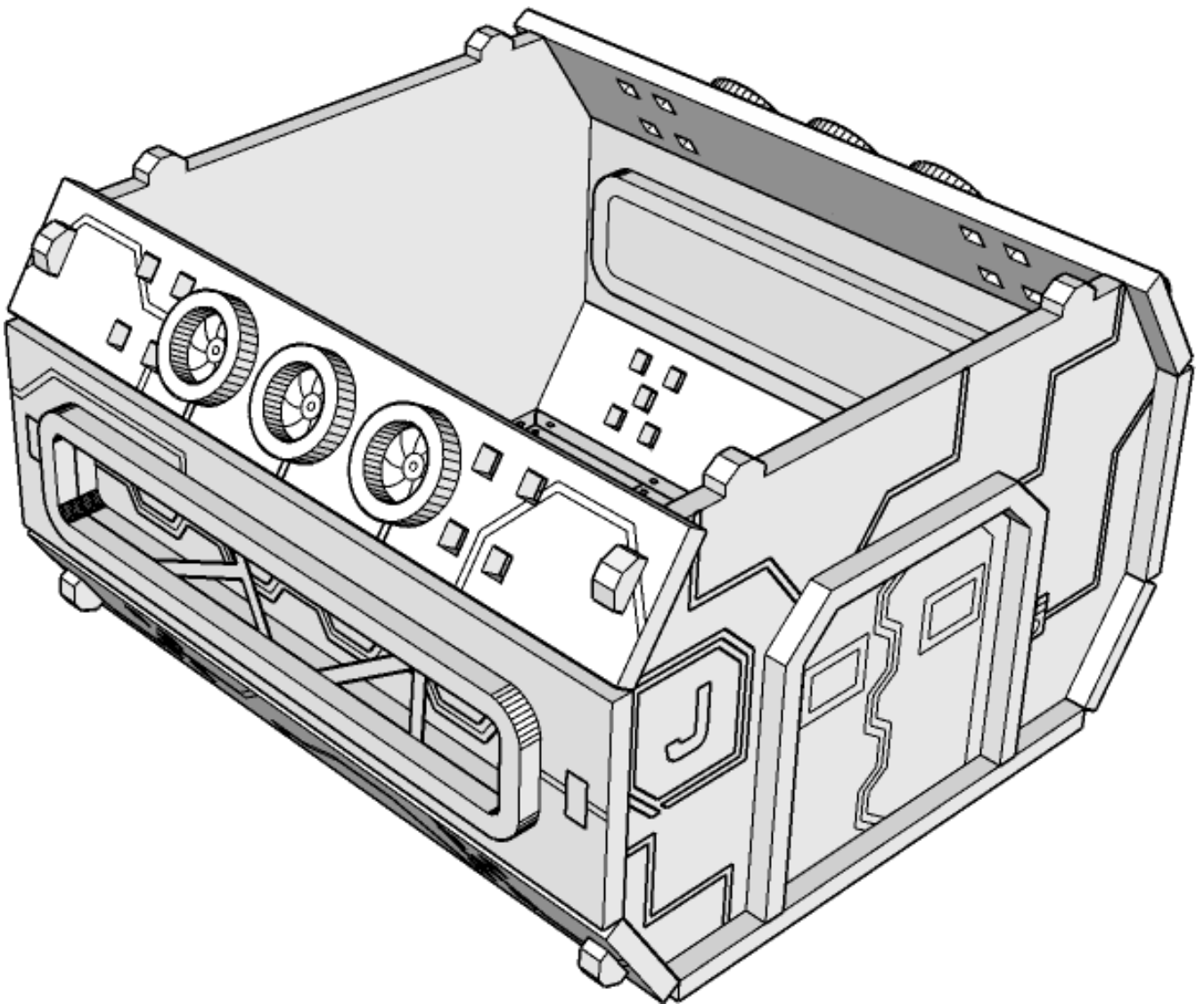




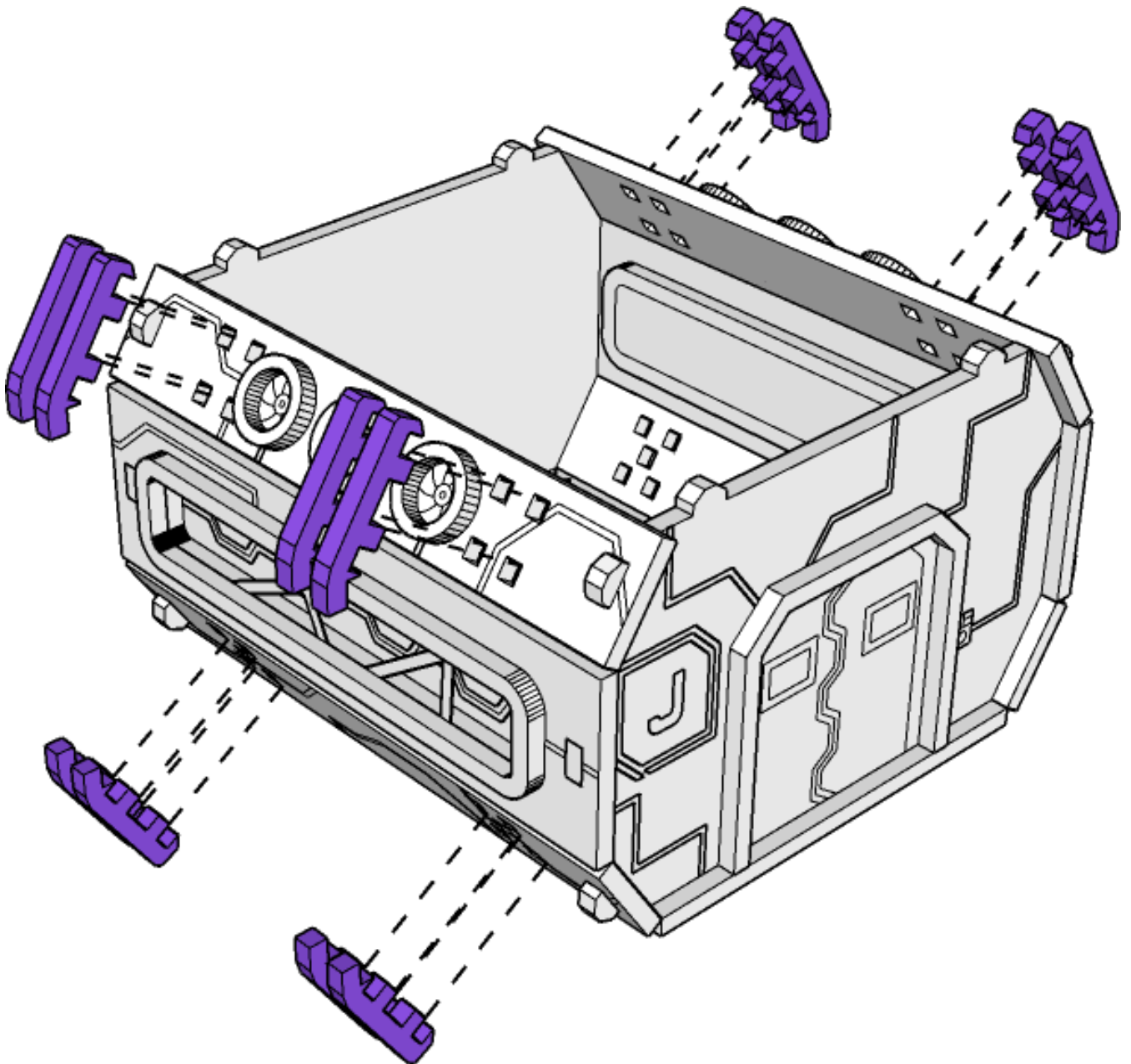


**TABLETOP  
SCENICS**

**TTSCW-SFU-106  
Prefab Chemical Lab**



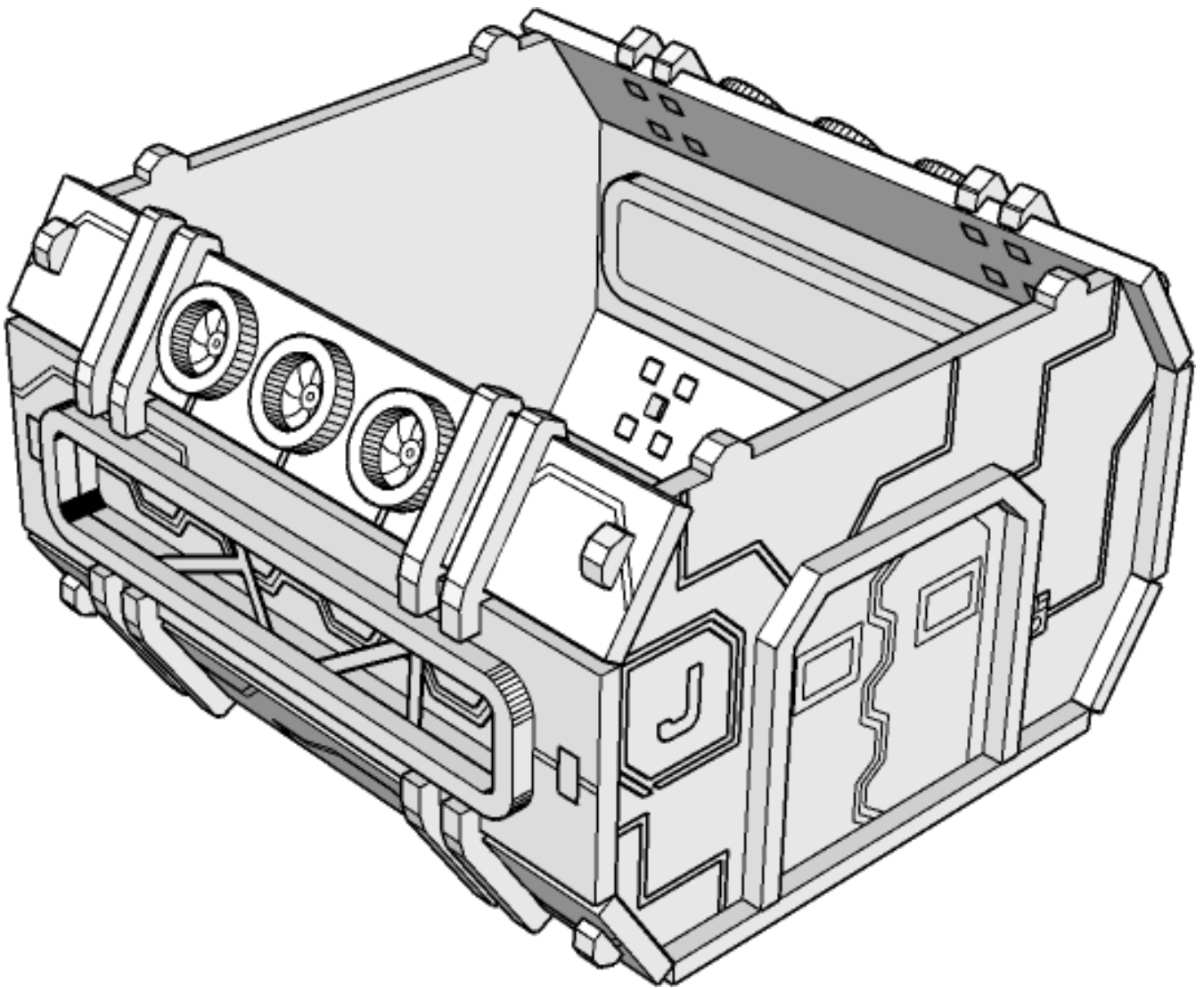






**TABLETOP  
SCENICS**

**TTSCW-SFU-106  
Prefab Chemical Lab**

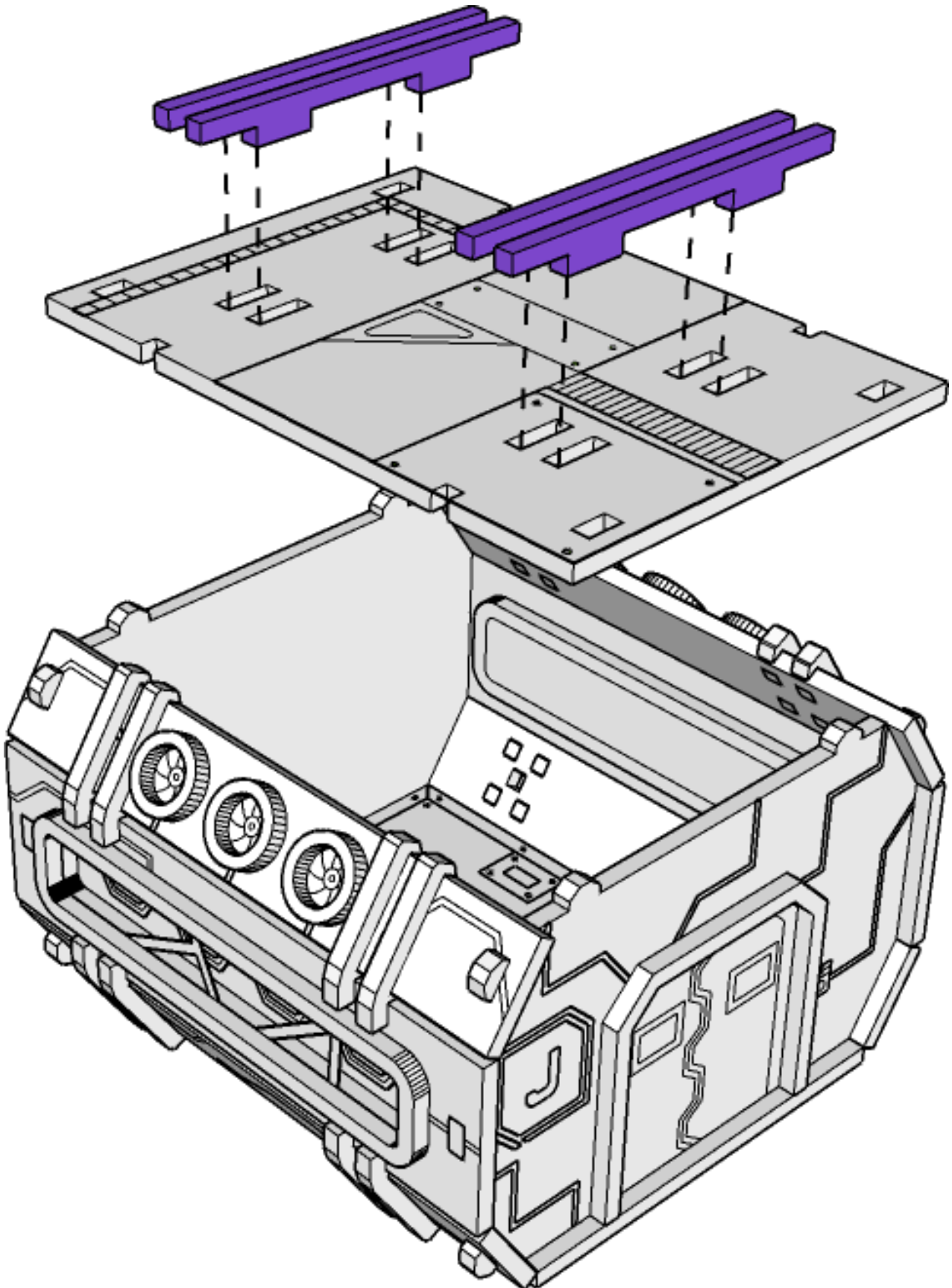






**TABLETOP  
SCENICS**

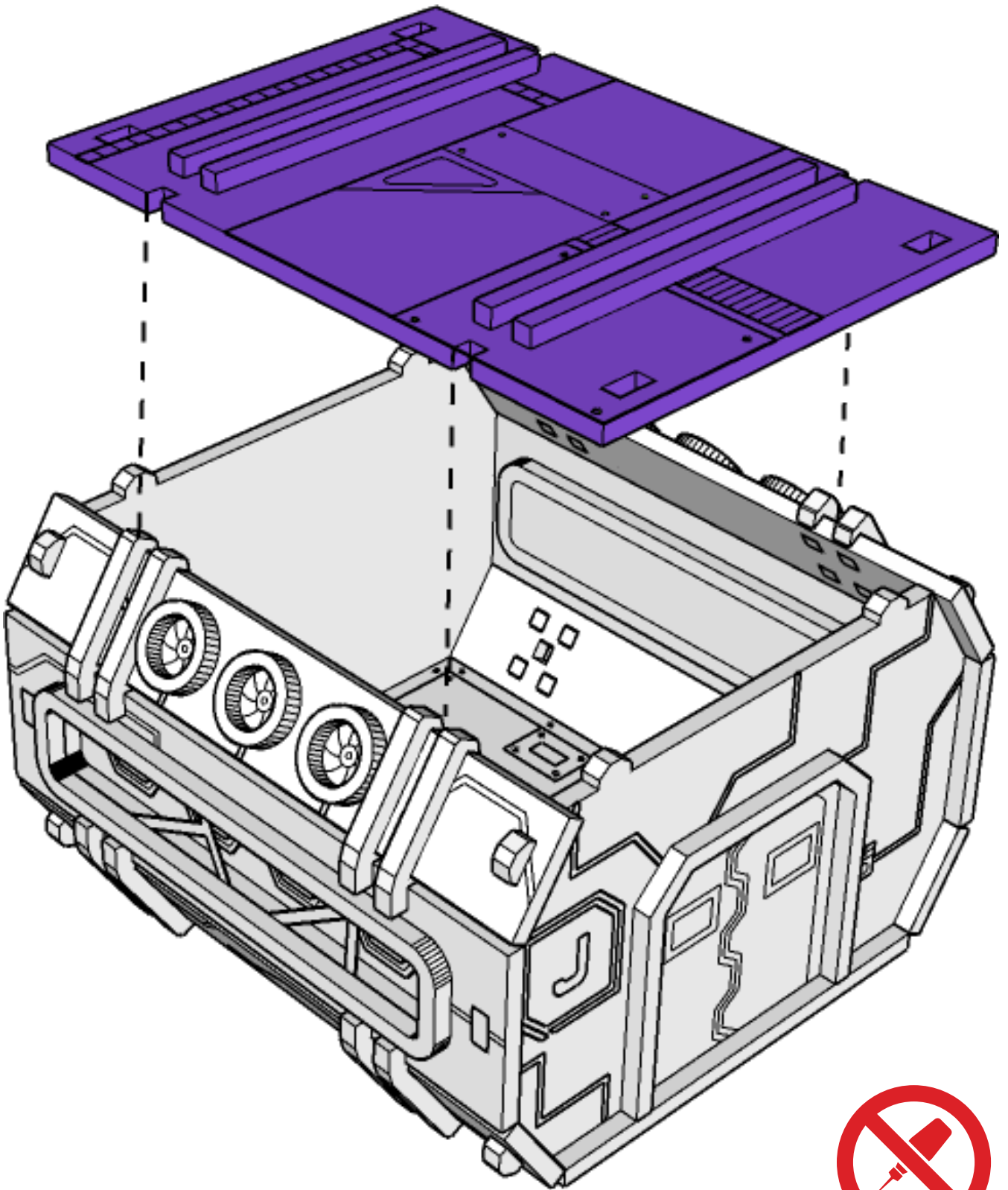
**TTSCW-SFU-106  
Prefab Chemical Lab**





**TABLETOP  
SCENICS**

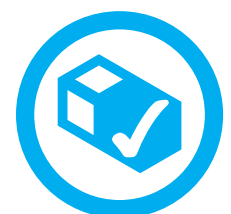
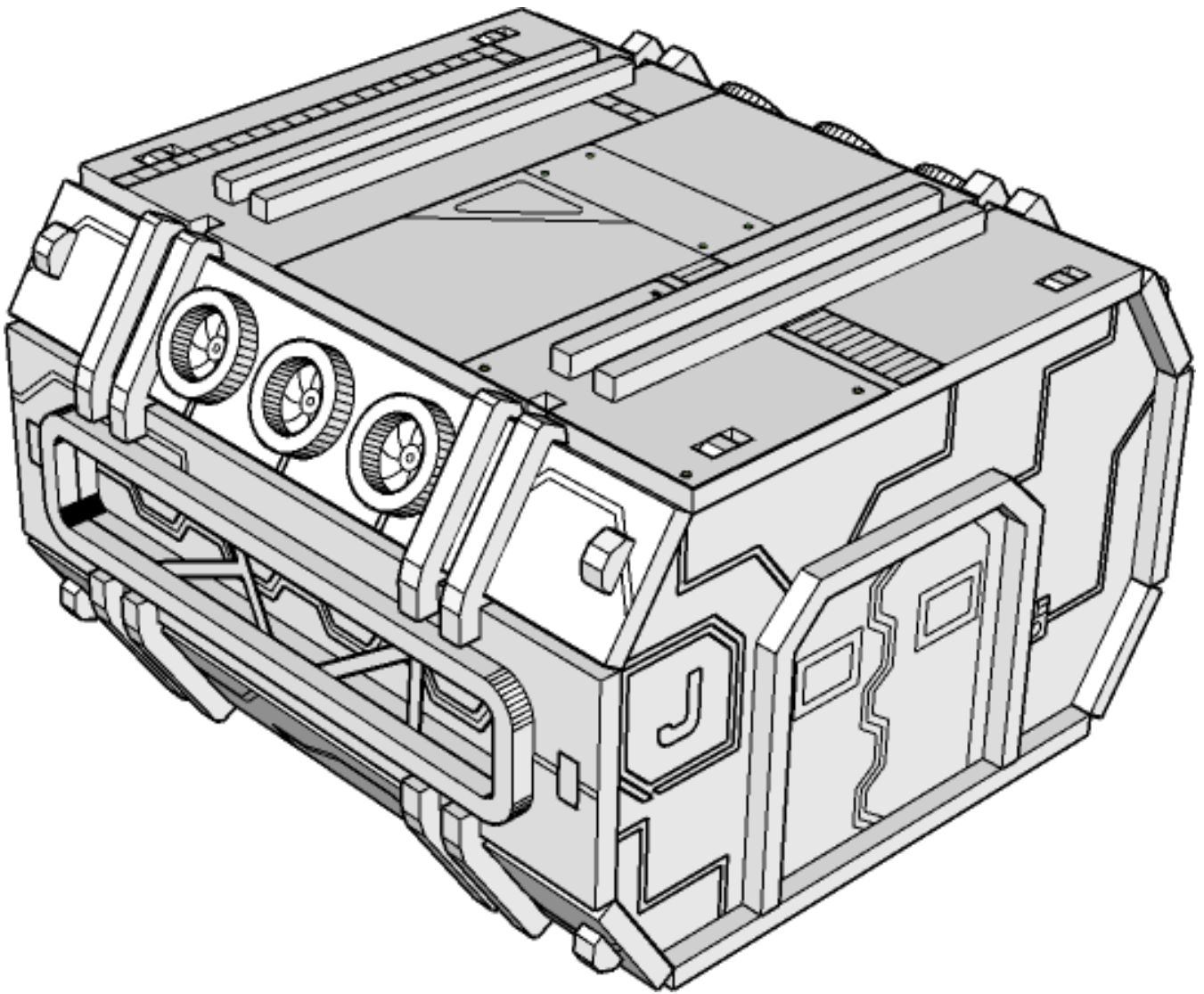
**TTSCW-SFU-106  
Prefab Chemical Lab**





**TABLETOP  
SCENICS**

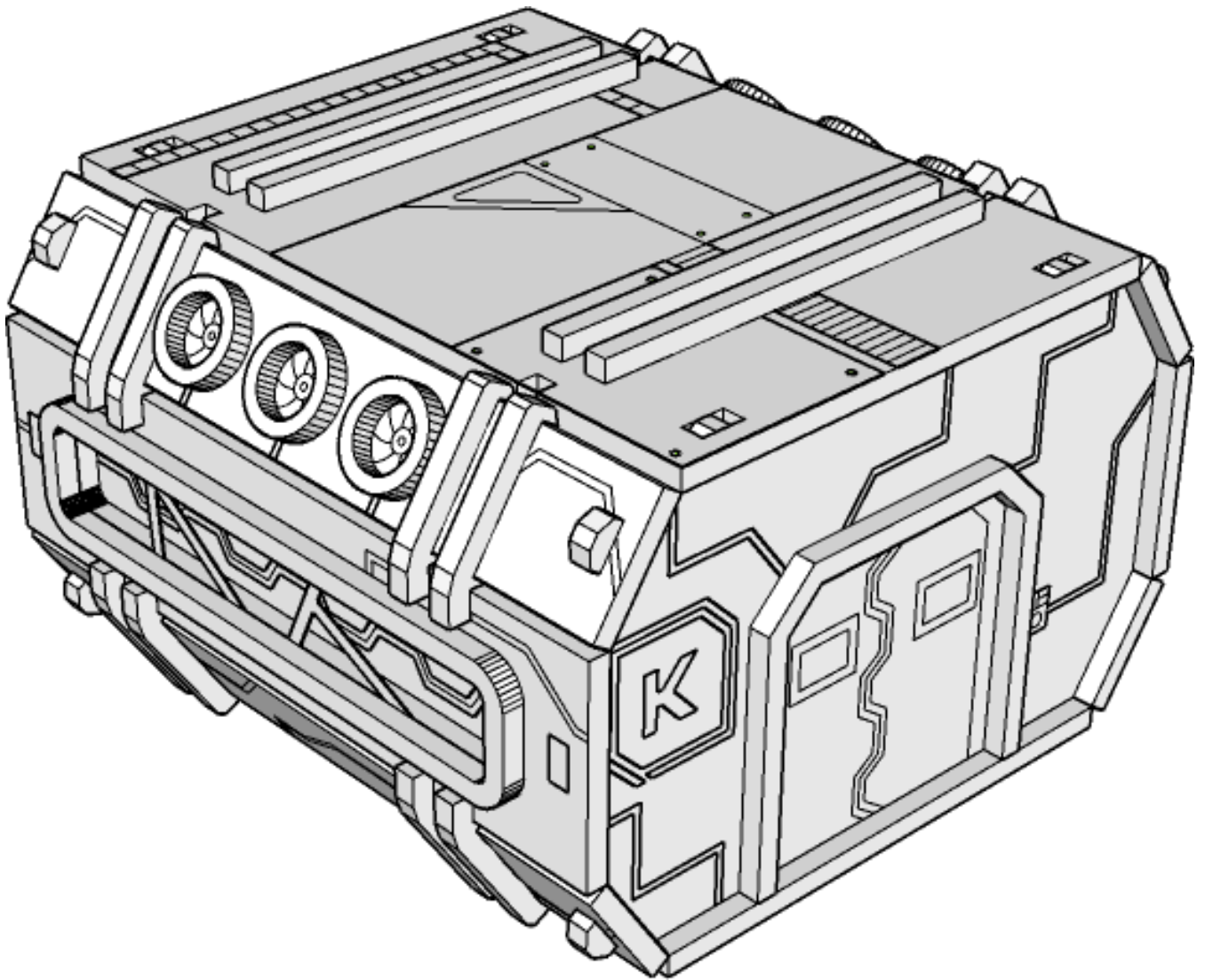
**TTSCW-SFU-106  
Prefab Chemical Lab**



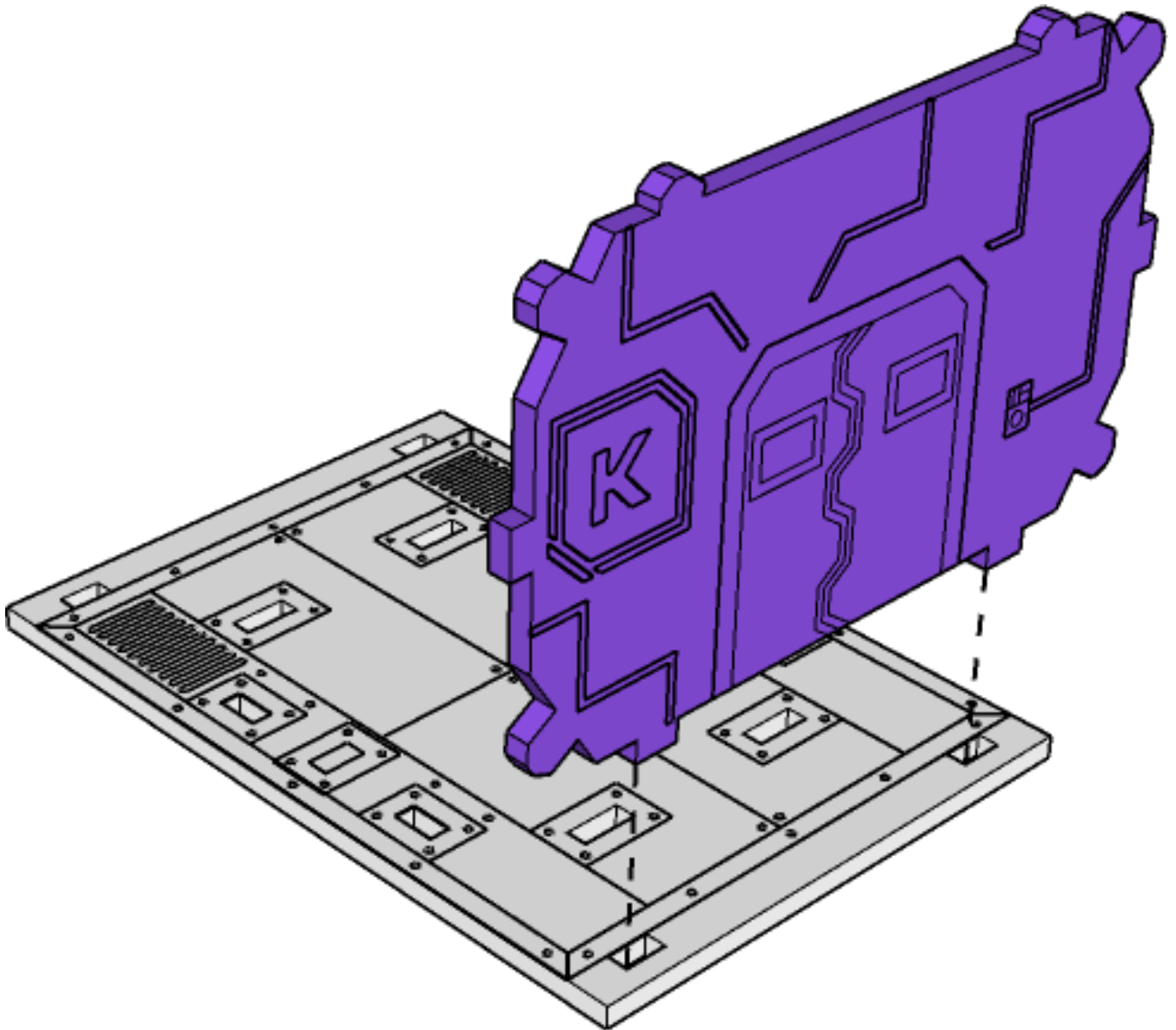


**TABLETOP  
SCENICS**

**TTSCW-SFU-106  
Prefab Chemical Lab**



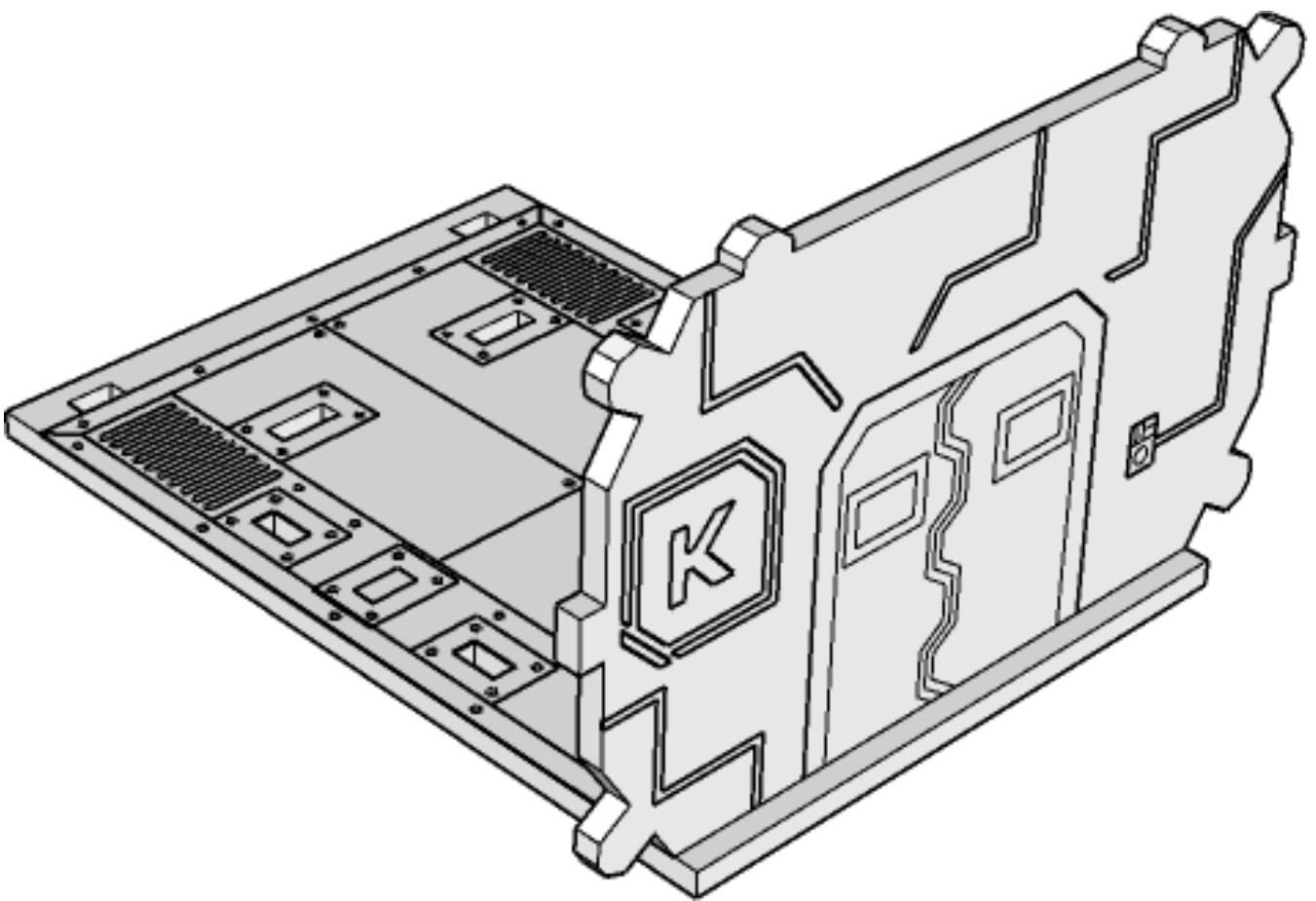


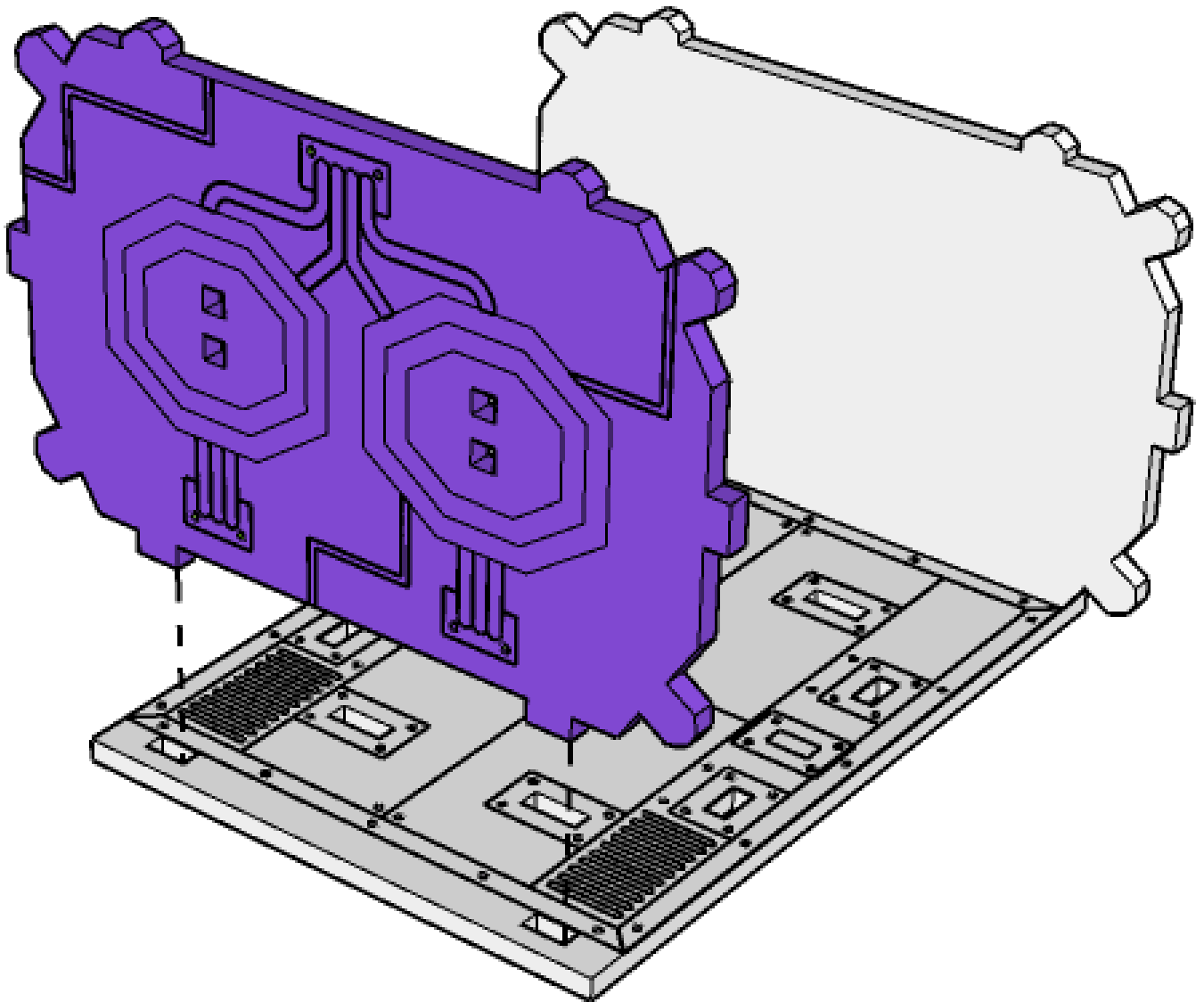


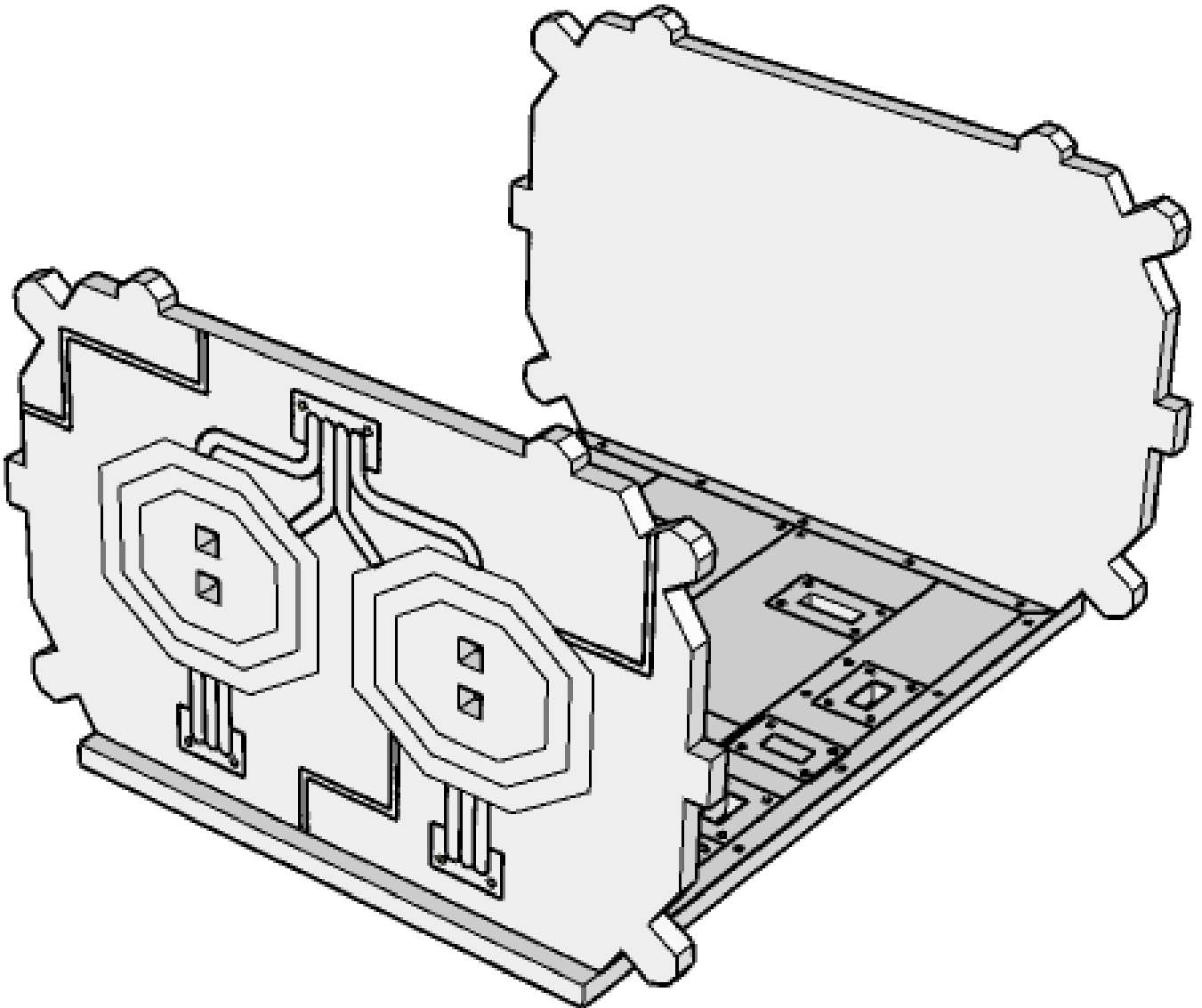


**TABLETOP  
SCENICS**

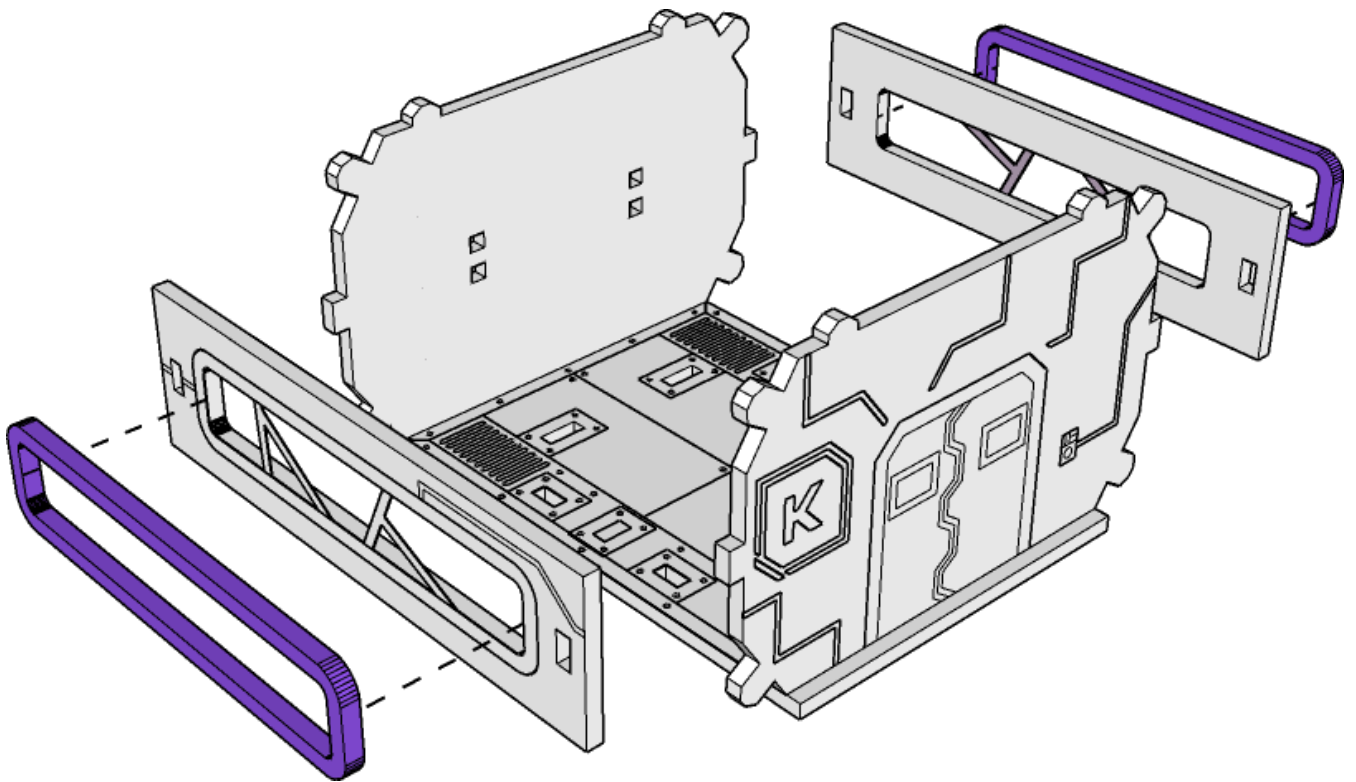
**TTSCW-SFU-106  
Prefab Chemical Lab**

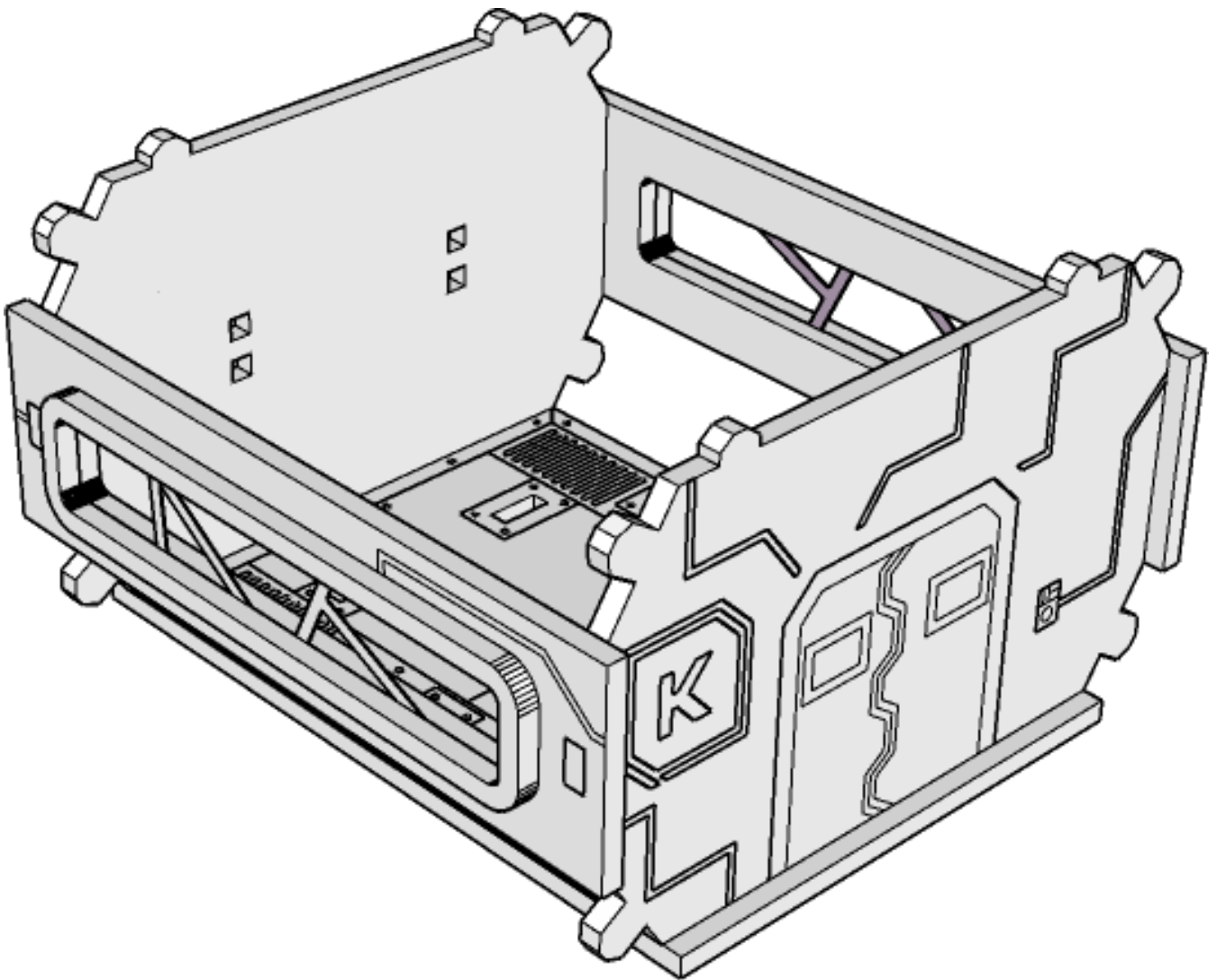


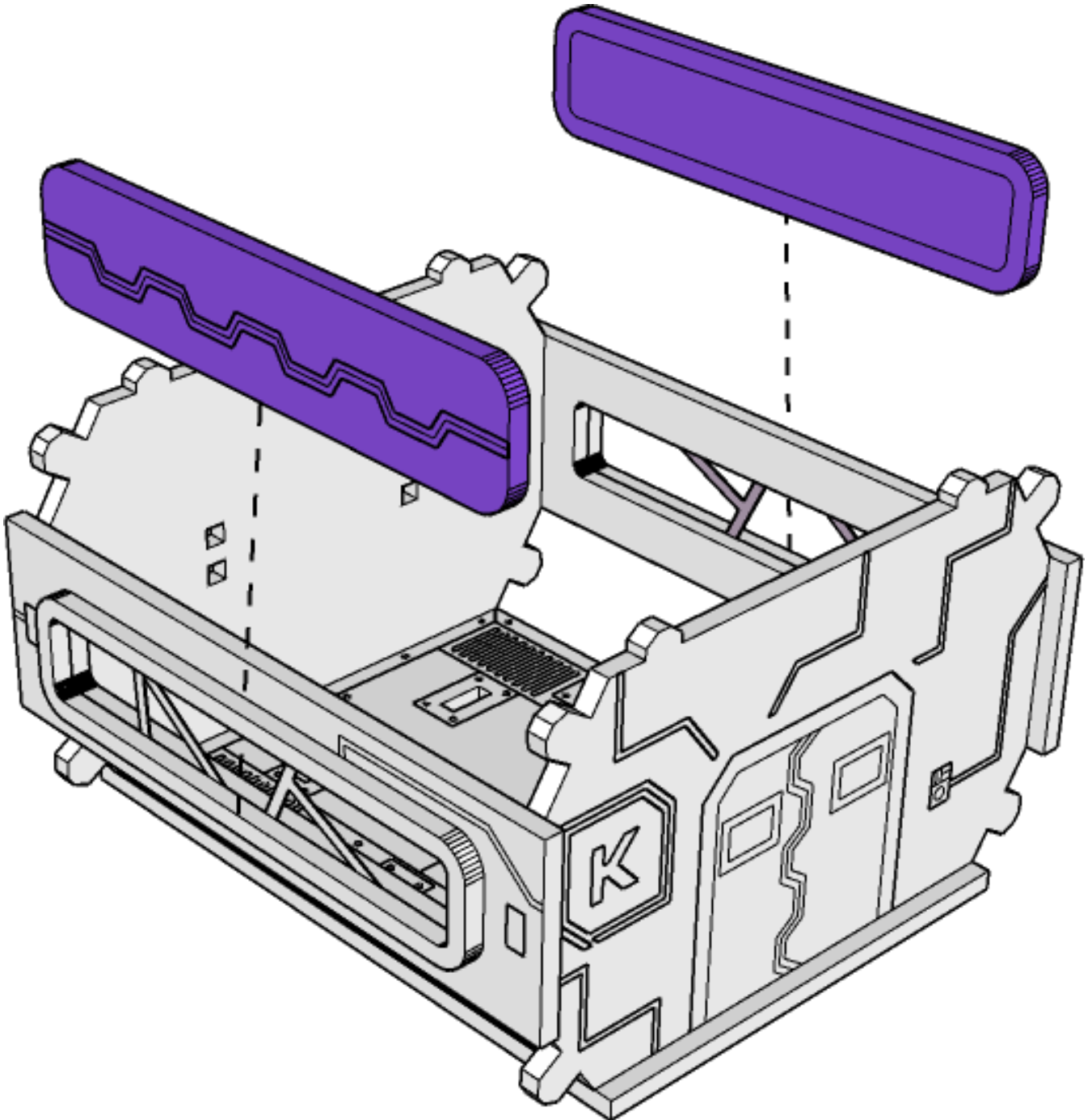








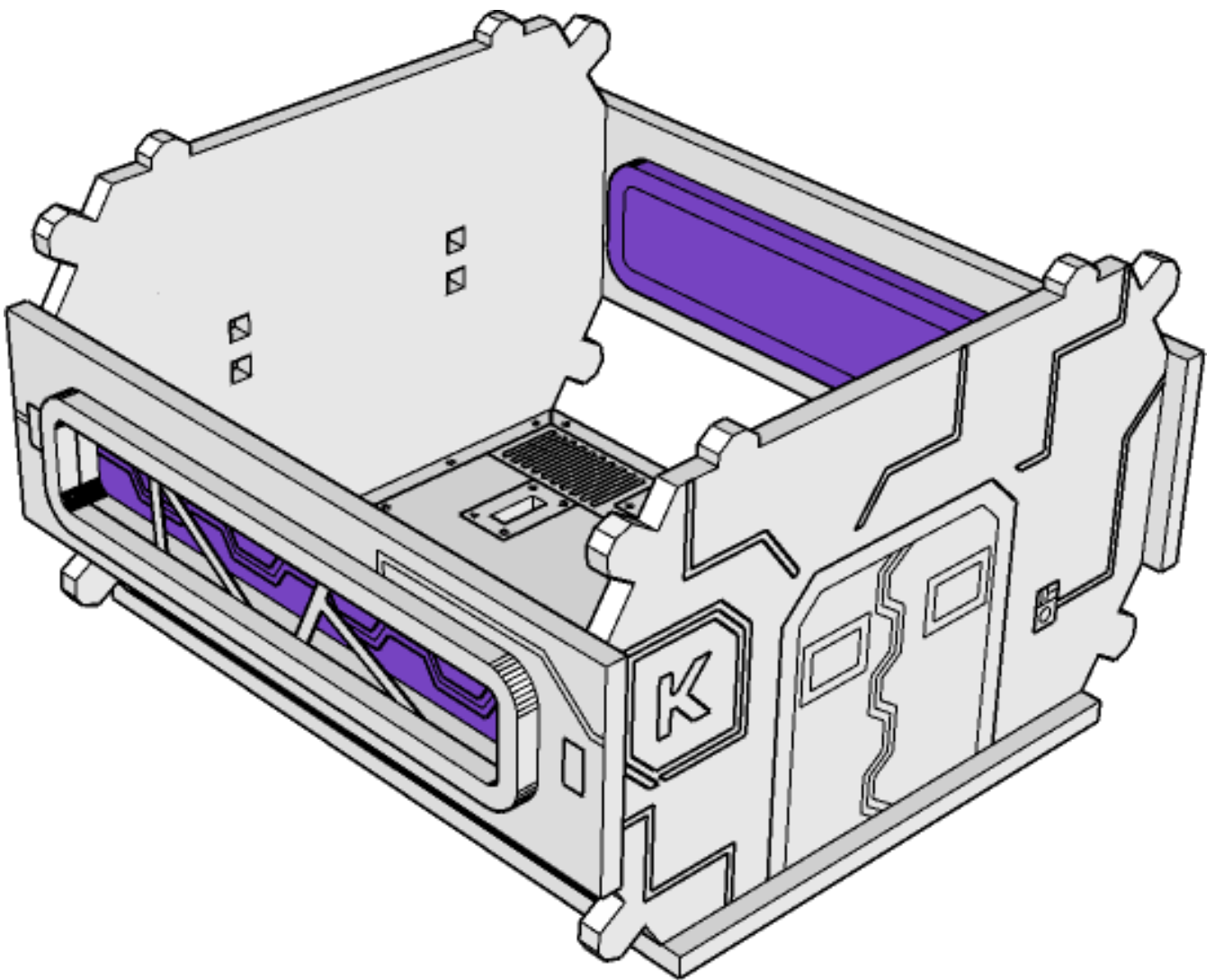


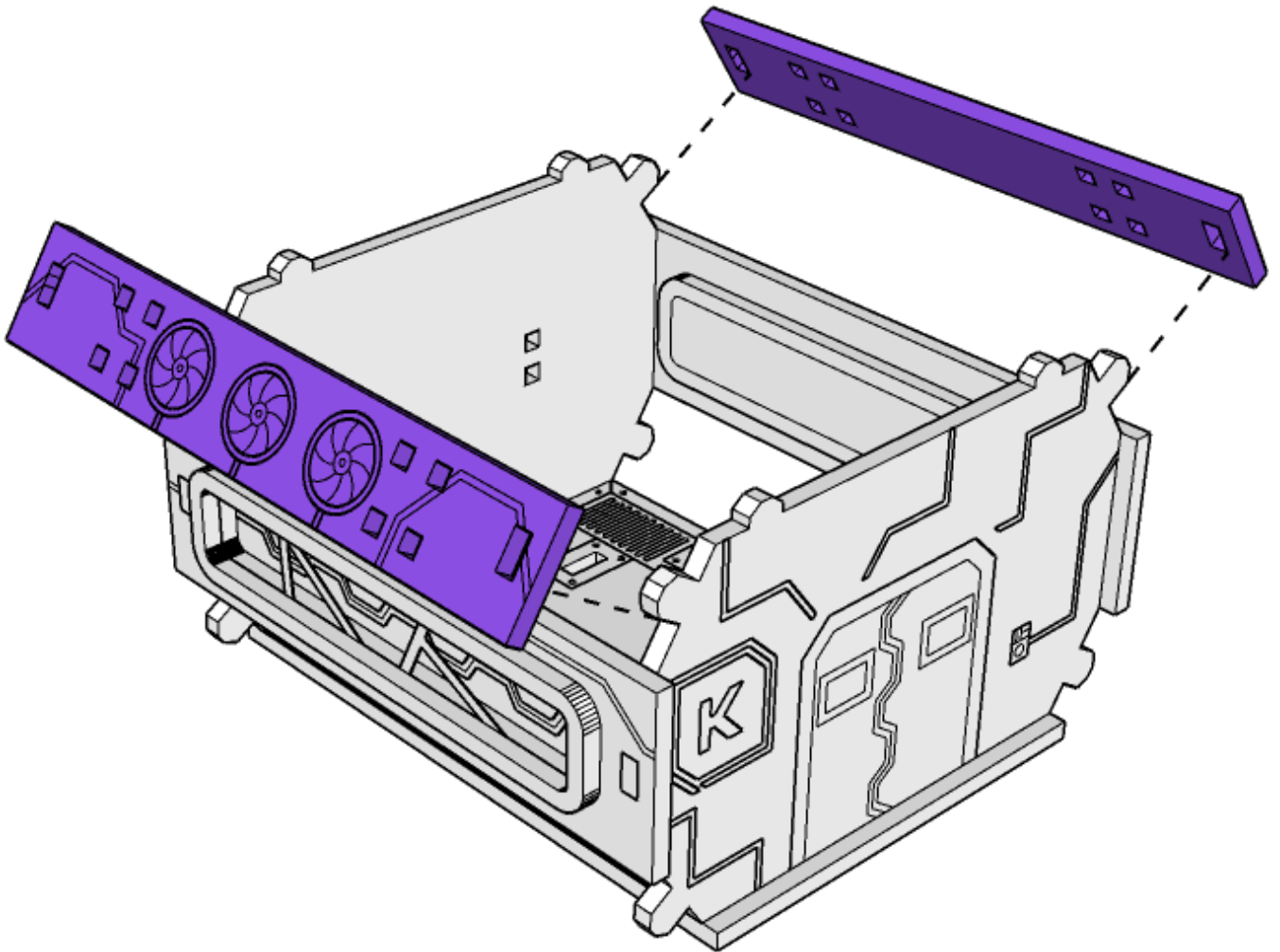




**TABLETOP  
SCENICS**

**TTSCW-SFU-106  
Prefab Chemical Lab**

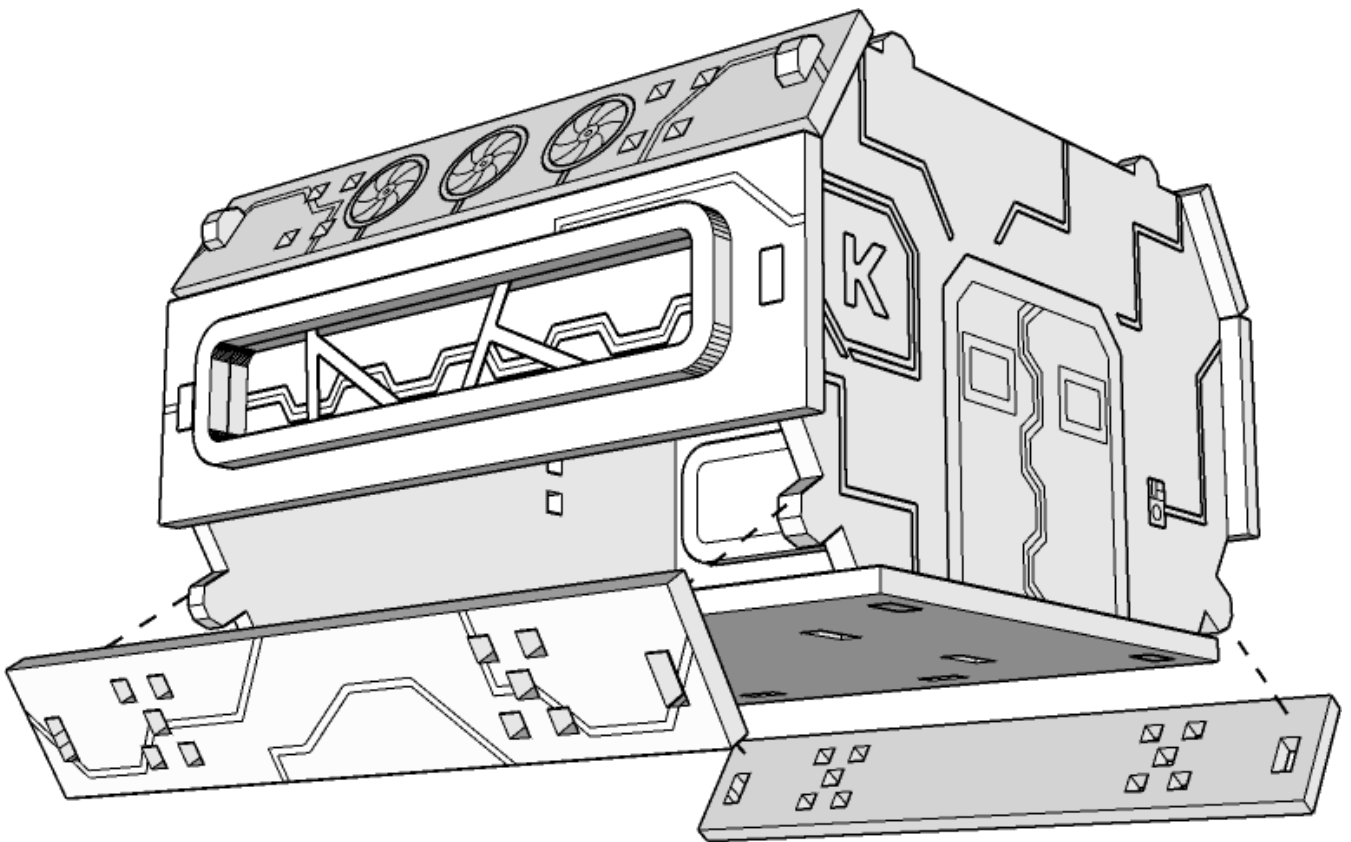


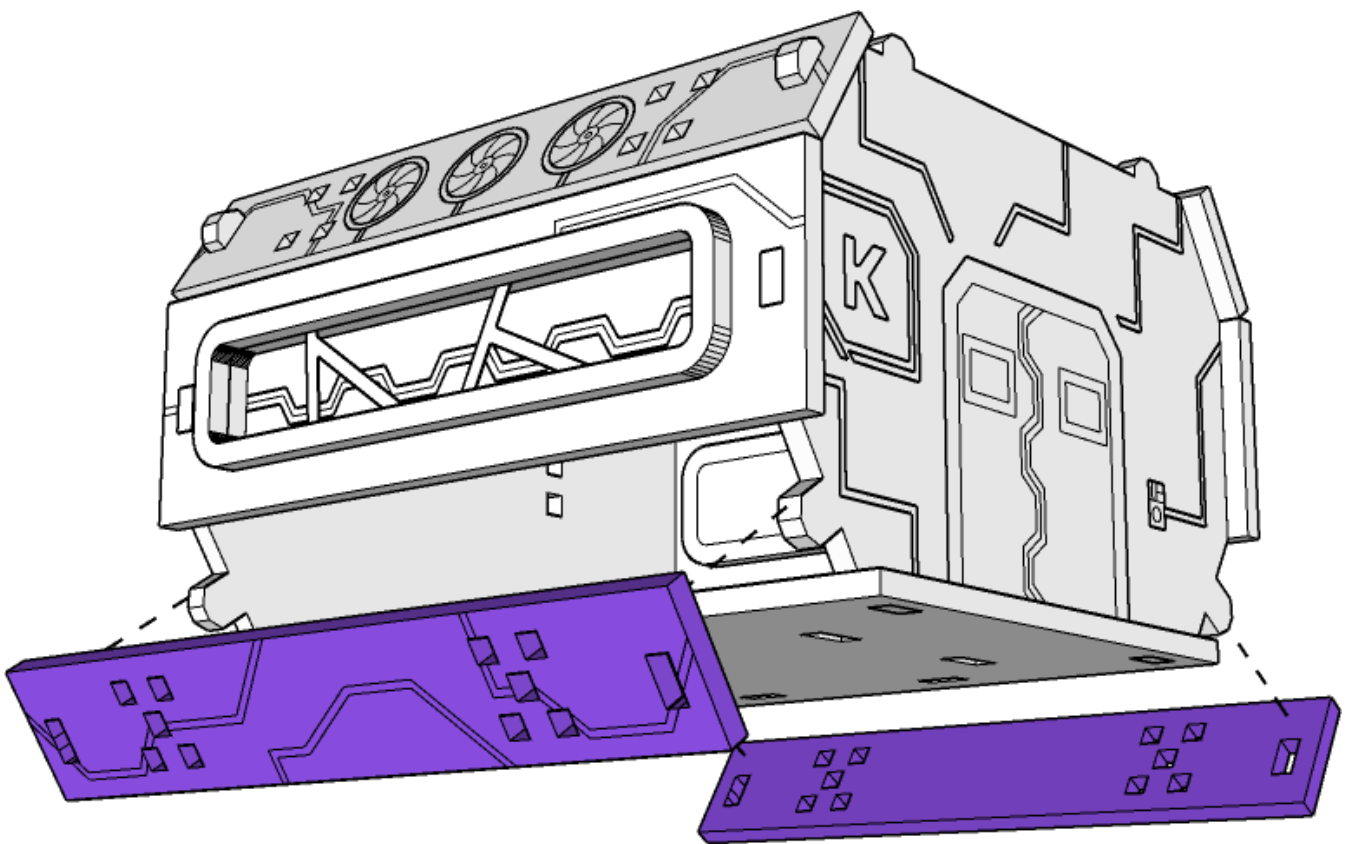




**TABLETOP  
SCENICS**

**TTSCW-SFU-106  
Prefab Chemical Lab**



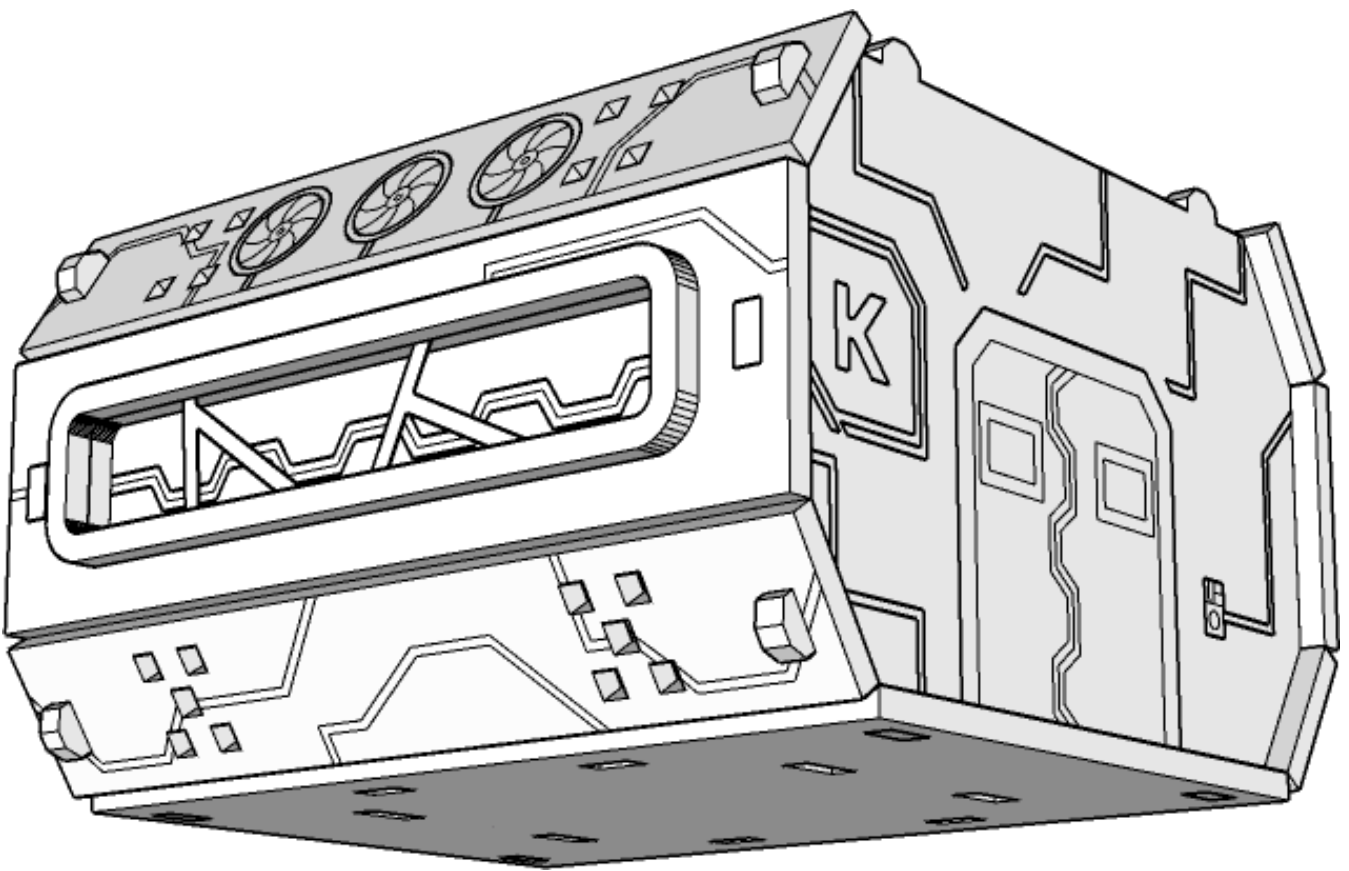




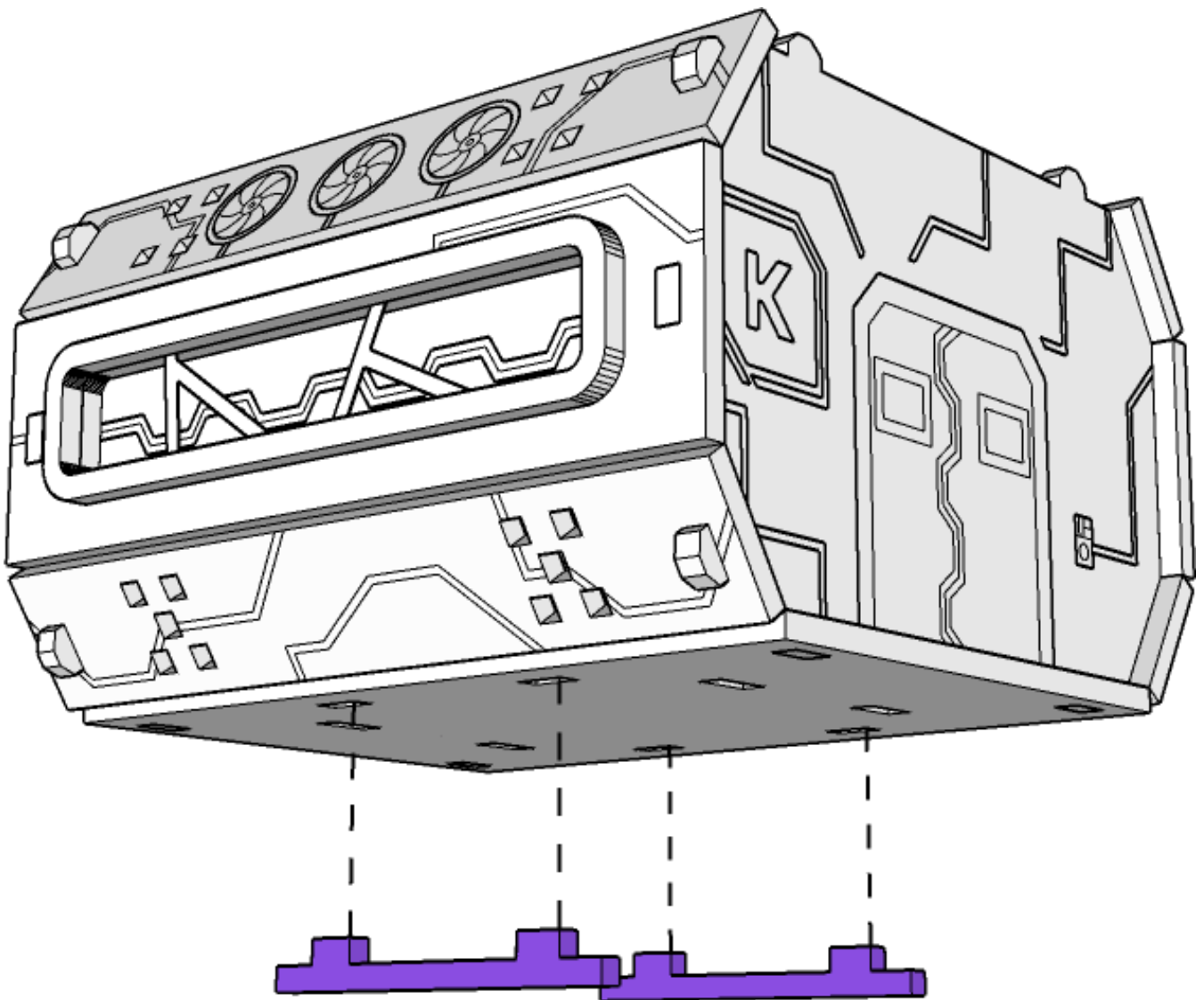


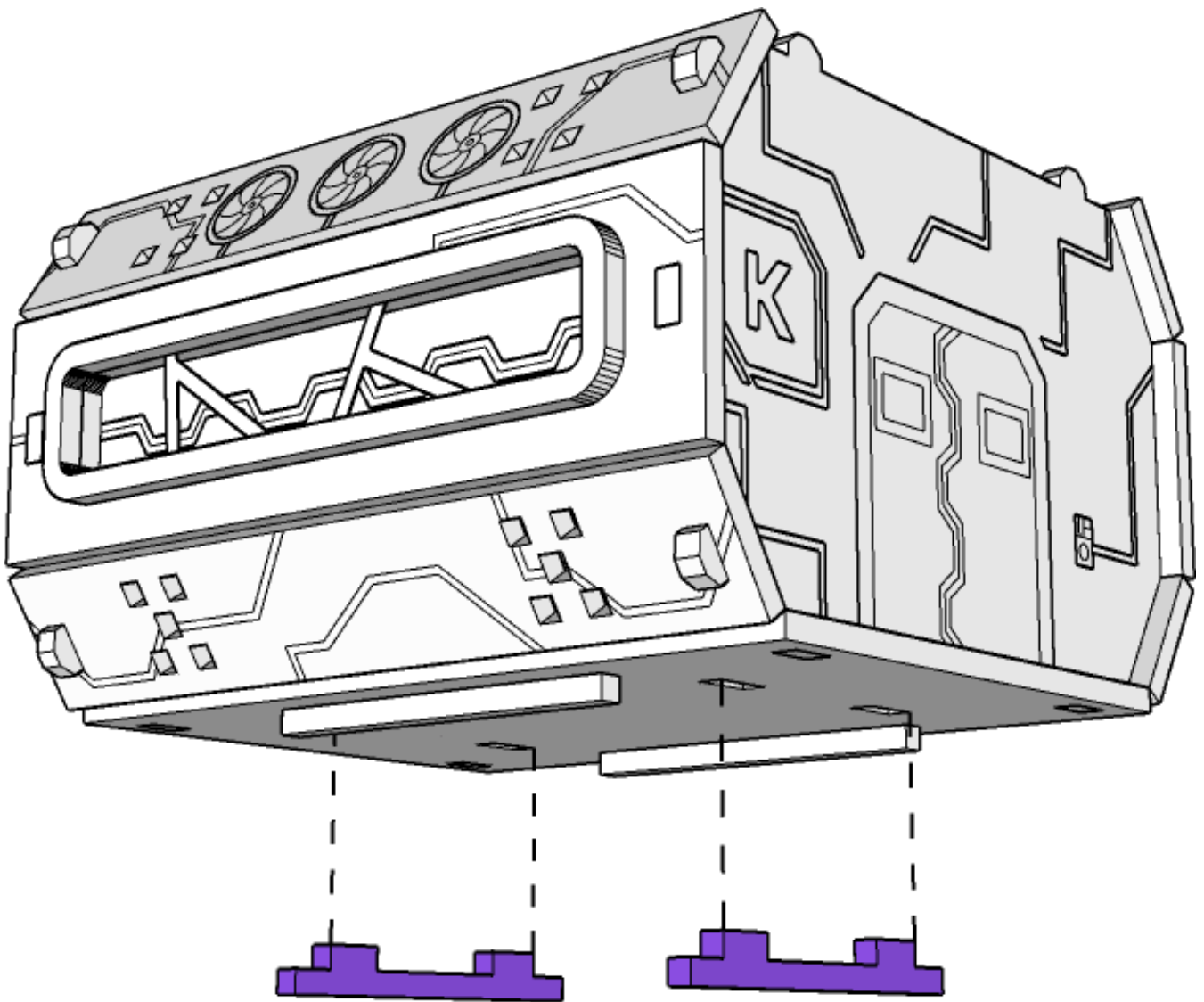
**TABLETOP  
SCENICS**

**TTSCW-SFU-106  
Prefab Chemical Lab**





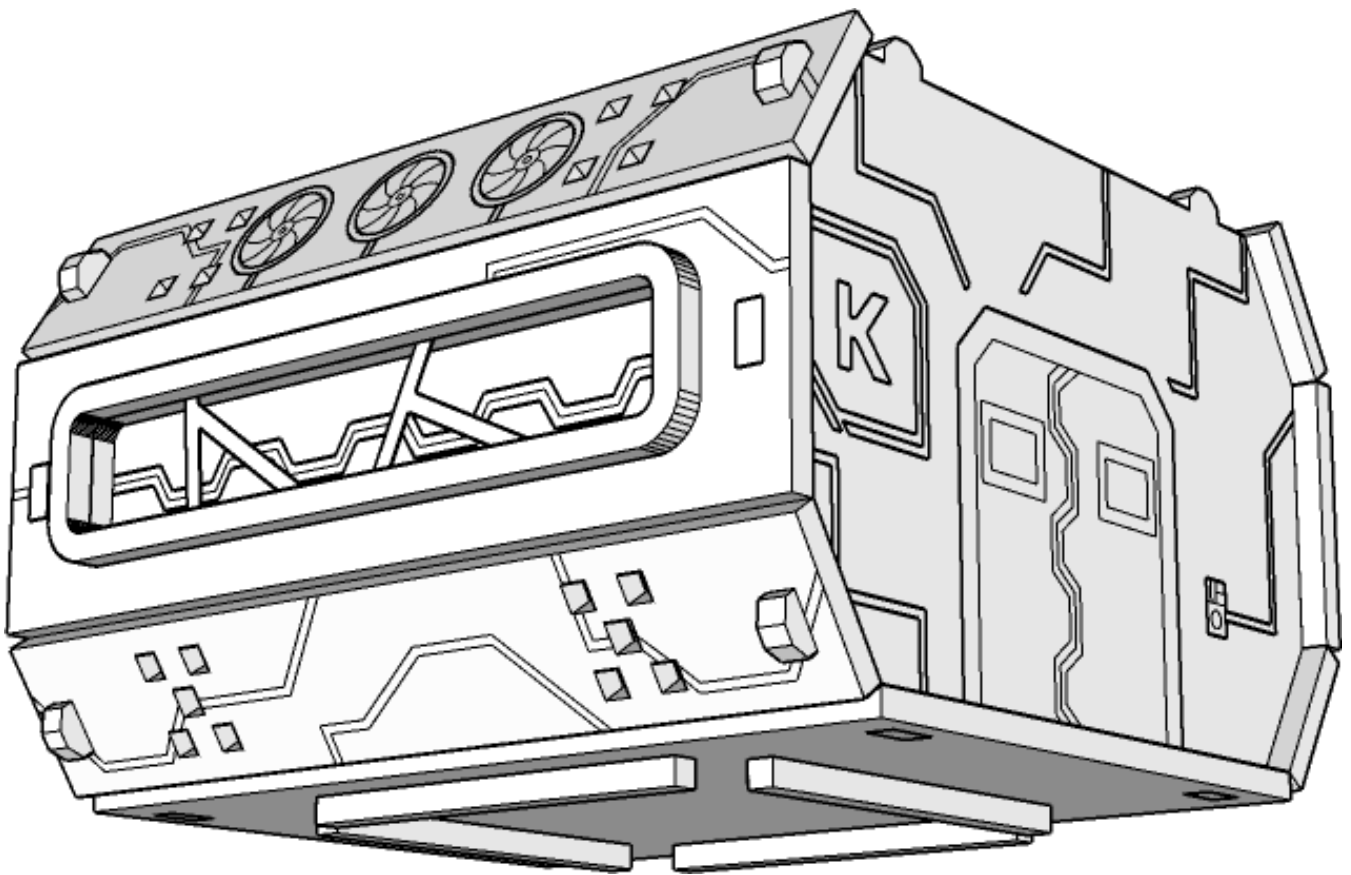


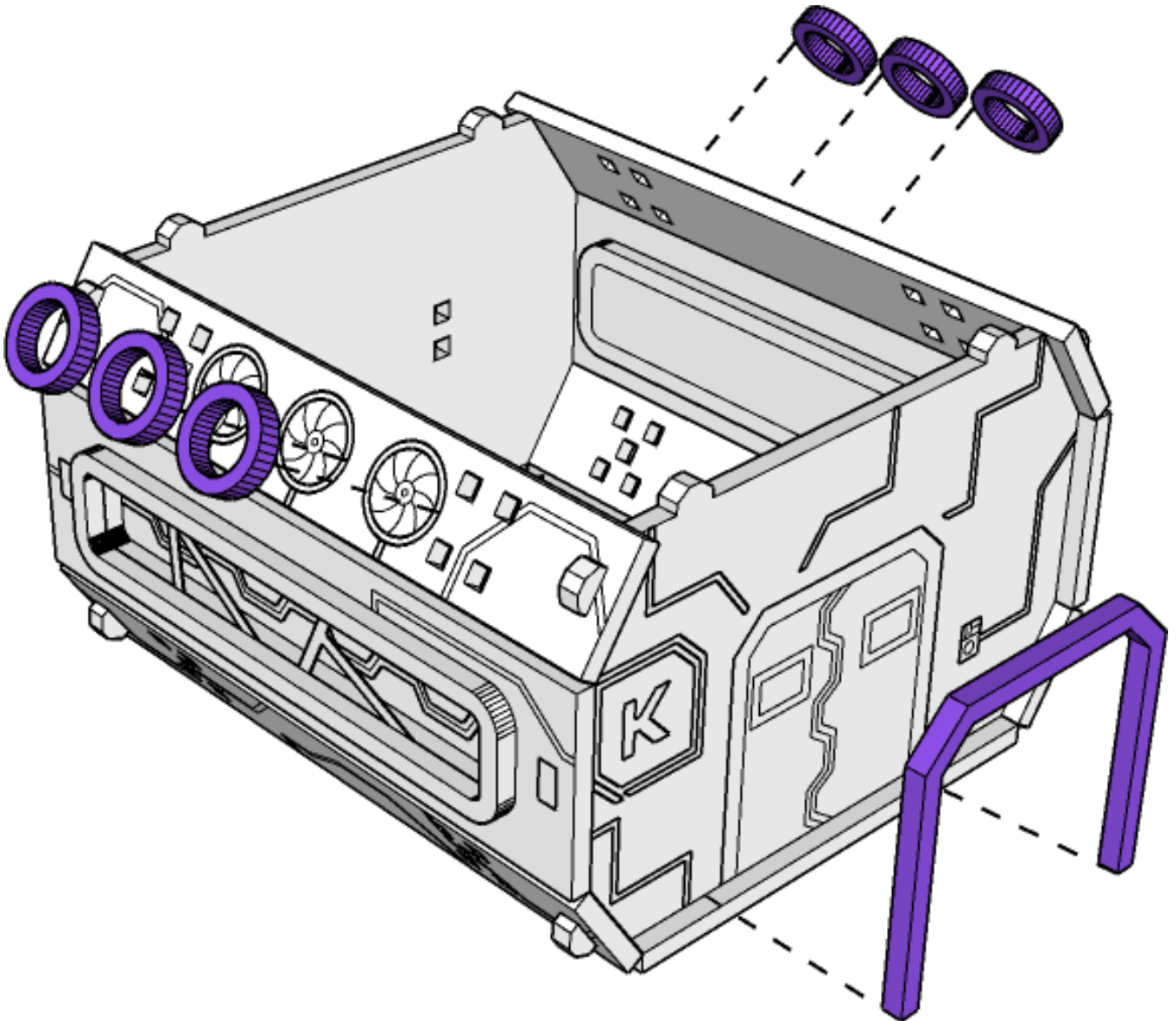




**TABLETOP  
SCENICS**

**TTSCW-SFU-106  
Prefab Chemical Lab**

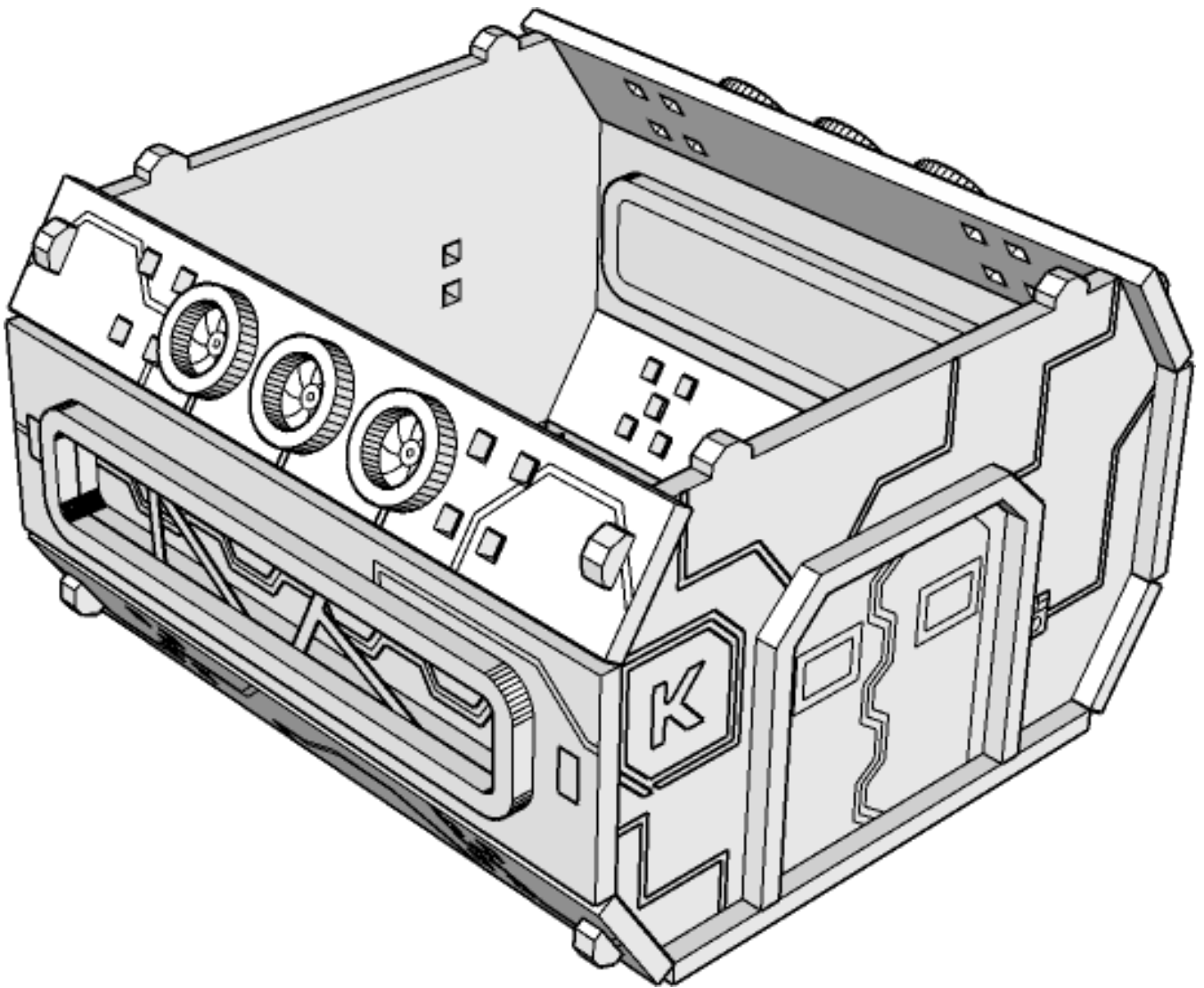


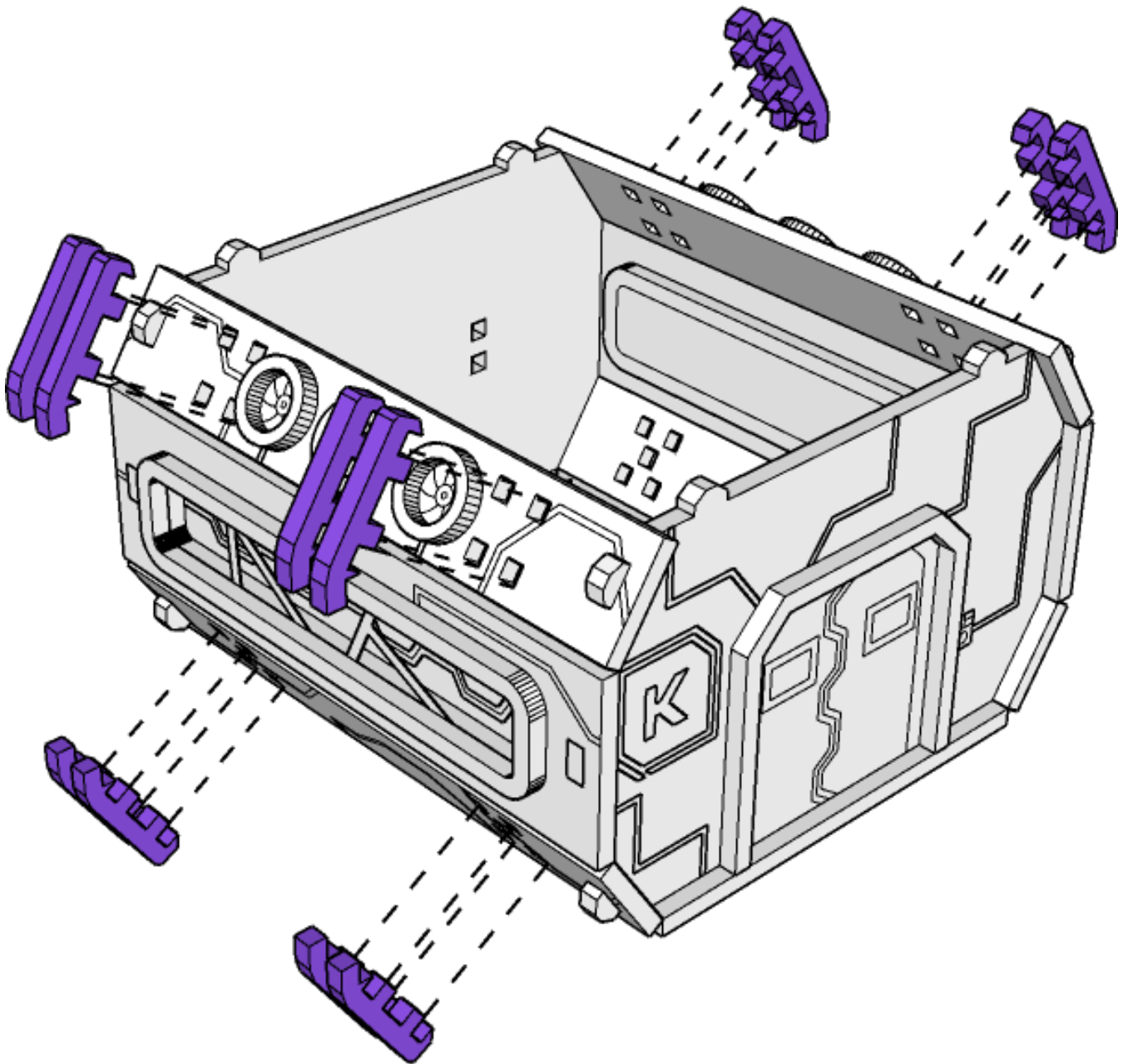




**TABLETOP  
SCENICS**

**TTSCW-SFU-106  
Prefab Chemical Lab**



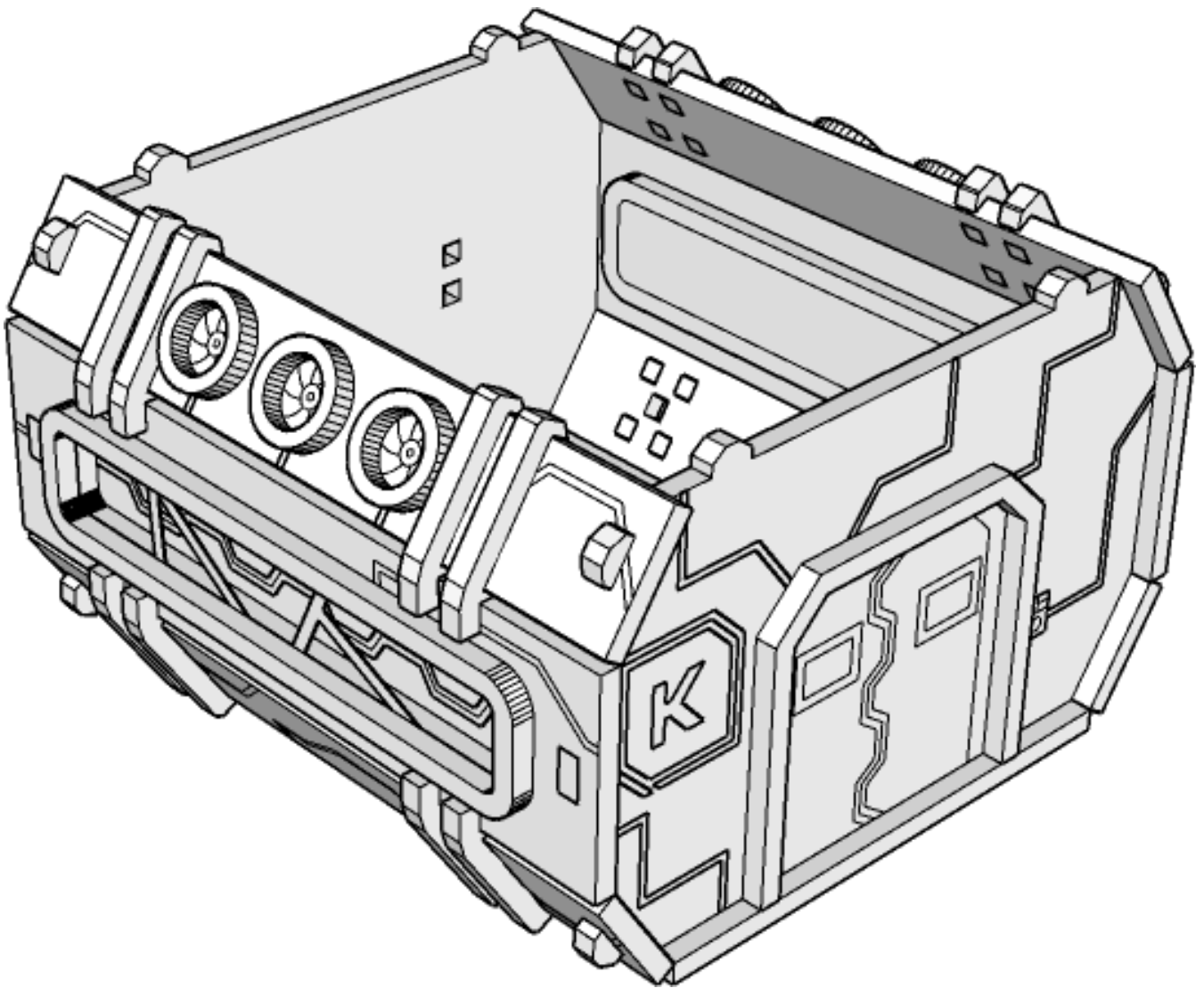






**TABLETOP  
SCENICS**

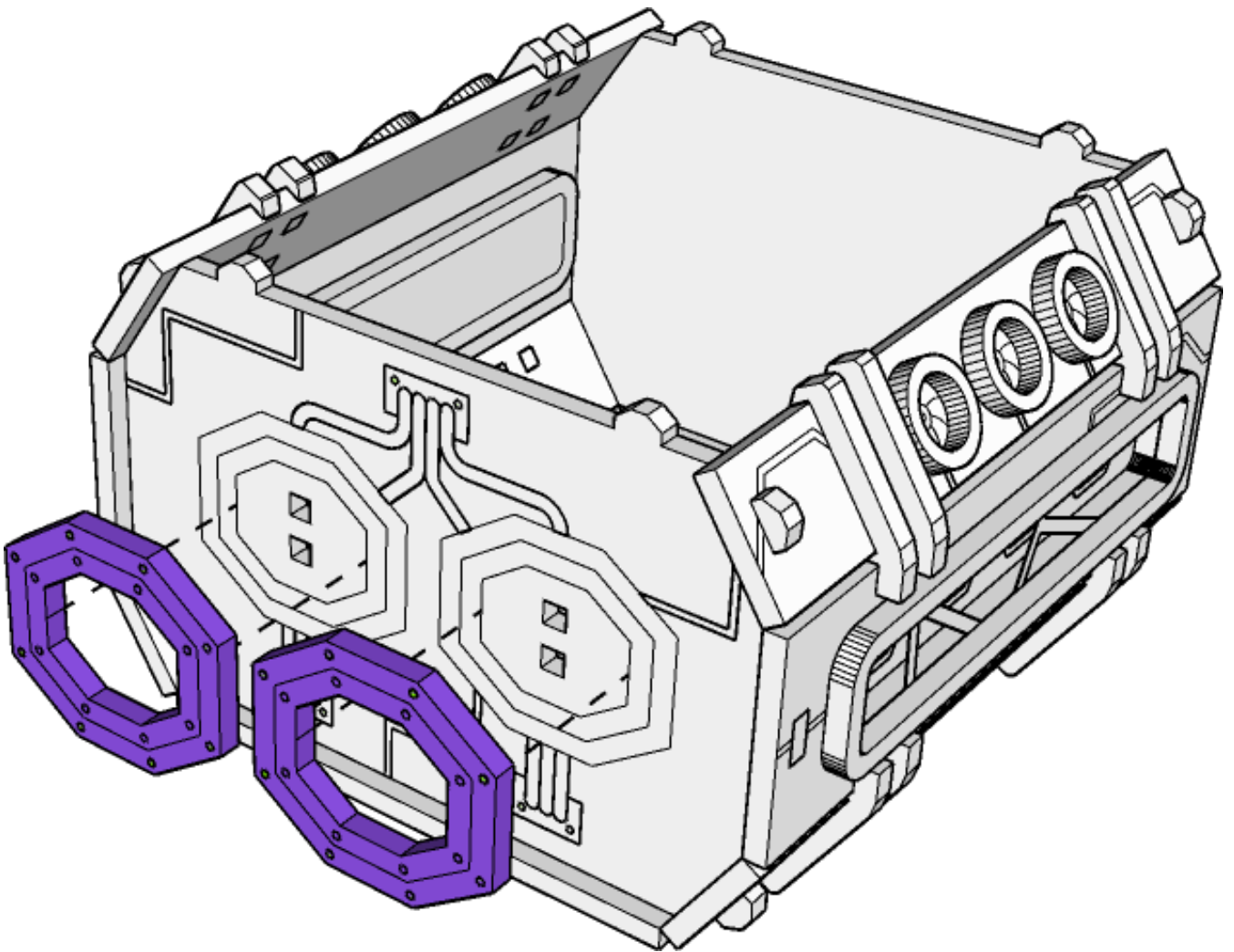
**TTSCW-SFU-106  
Prefab Chemical Lab**





**TABLETOP  
SCENICS**

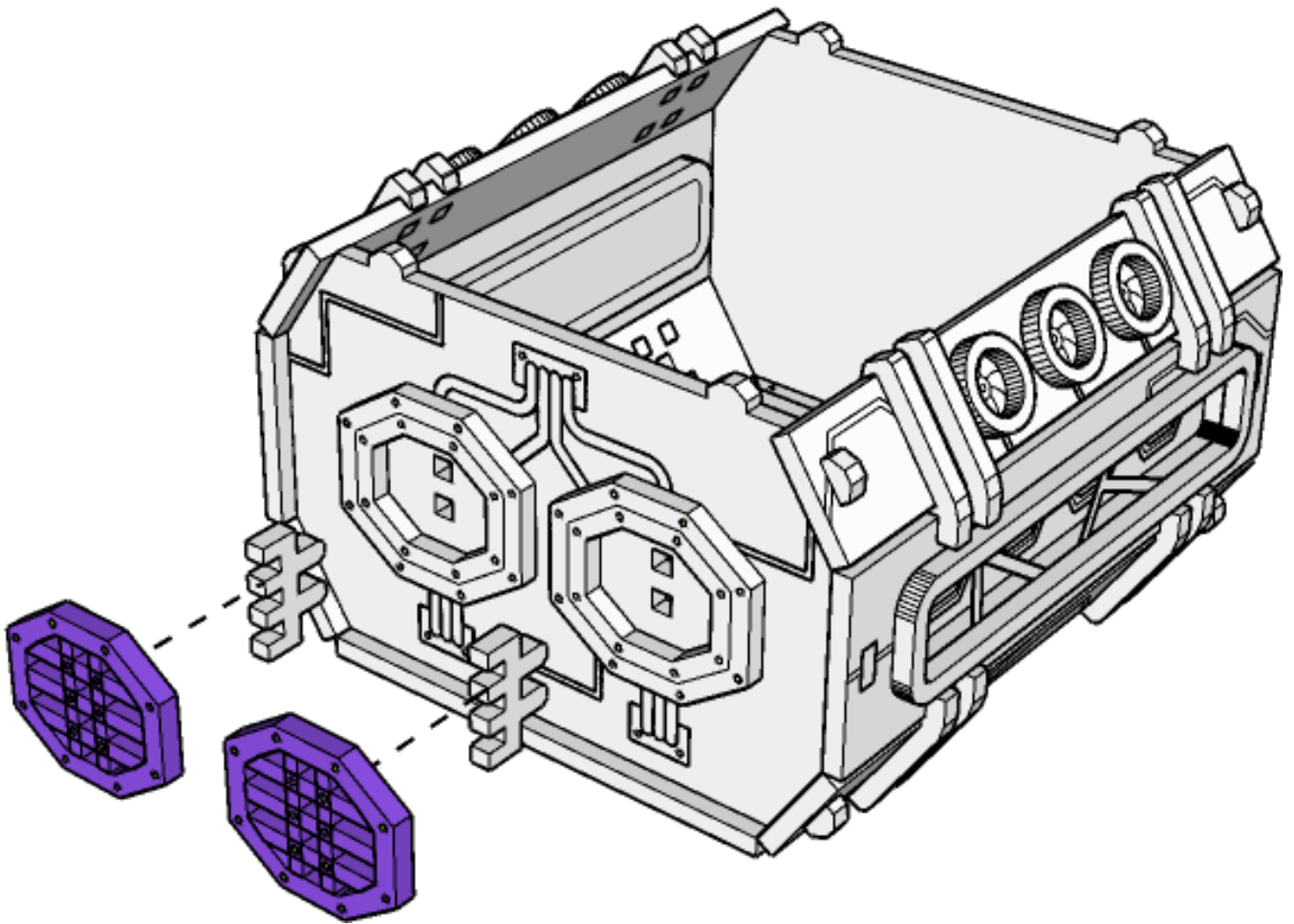
**TTSCW-SFU-106  
Prefab Chemical Lab**



**60**



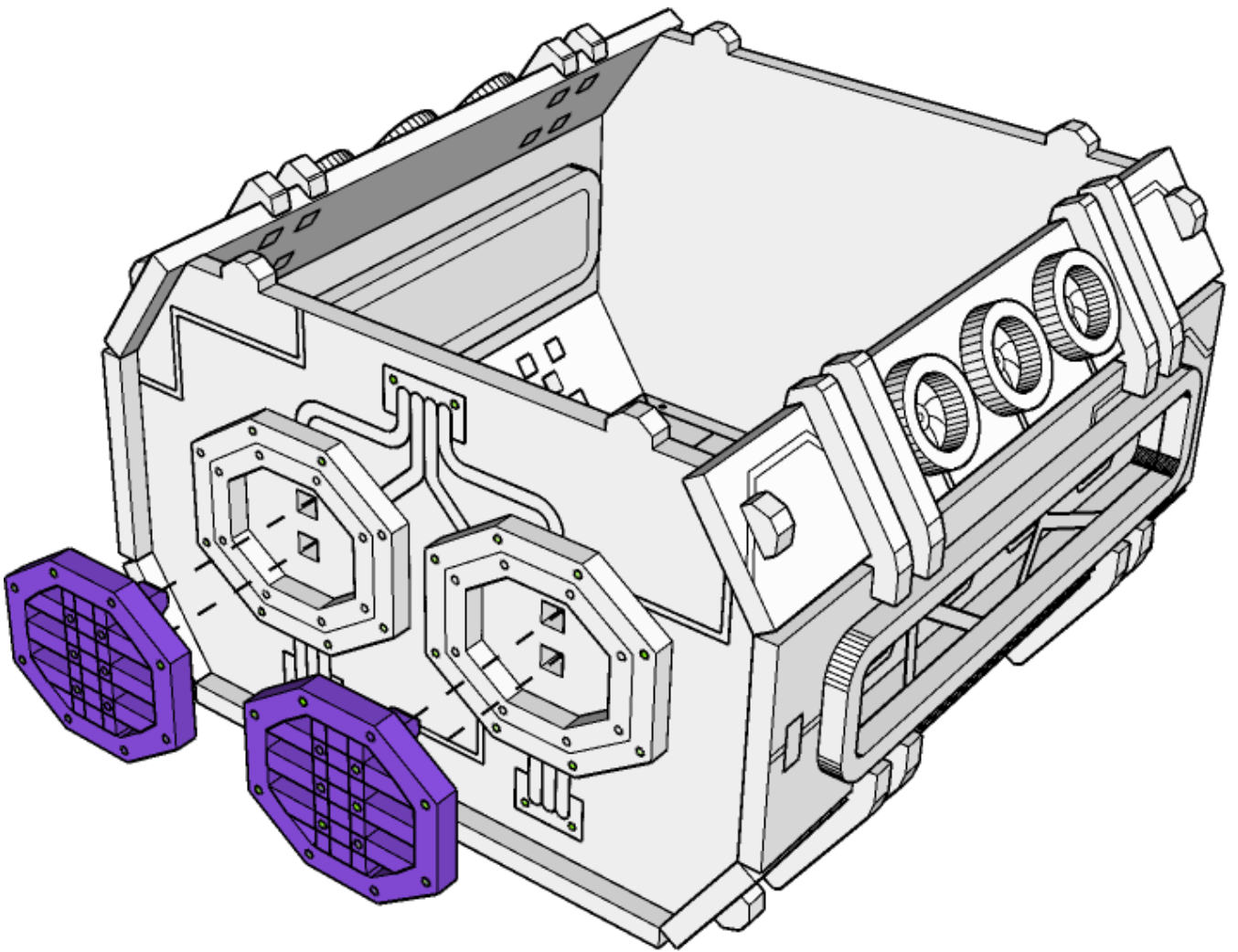






**TABLETOP  
SCENICS**

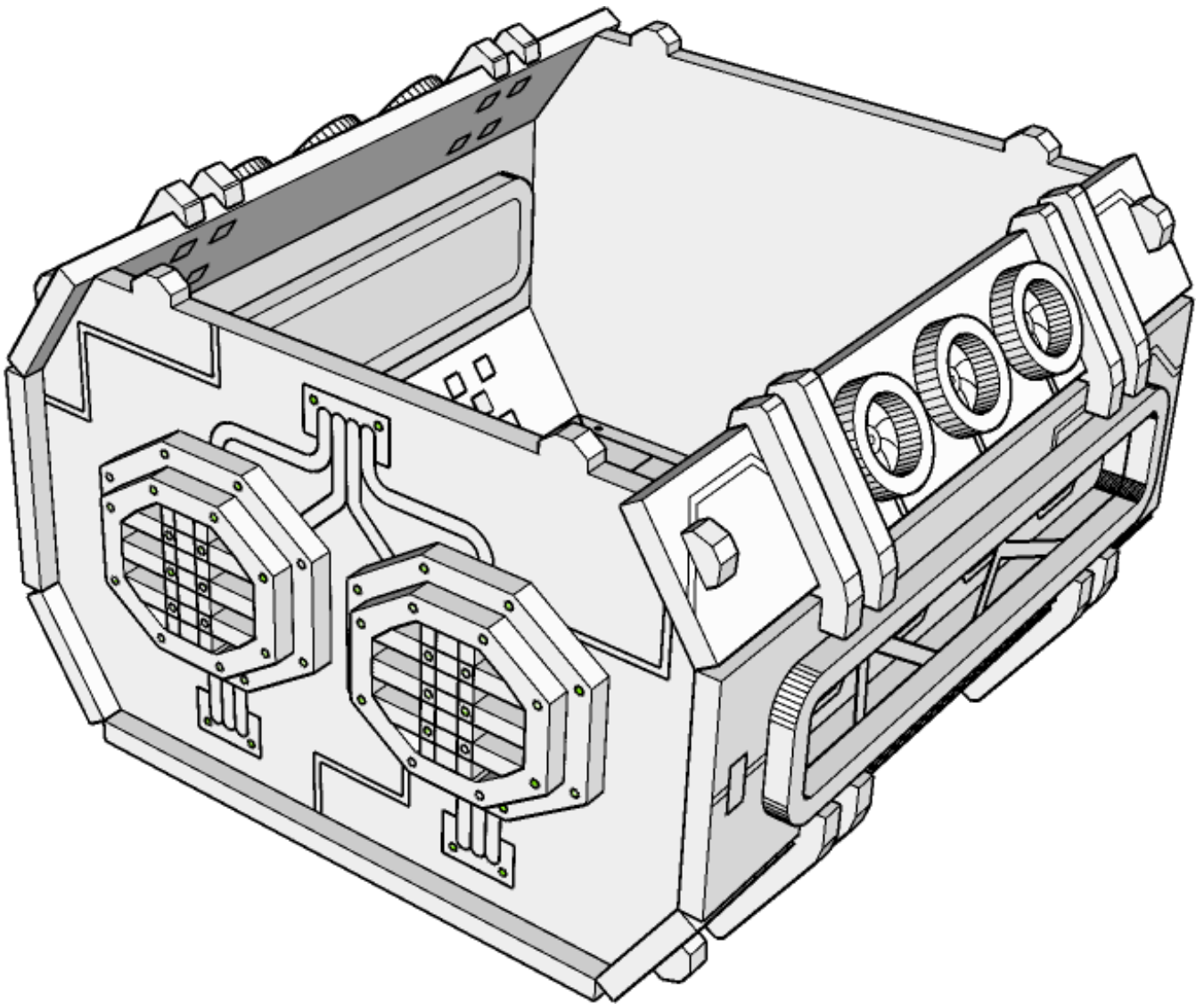
**TTSCW-SFU-106  
Prefab Chemical Lab**

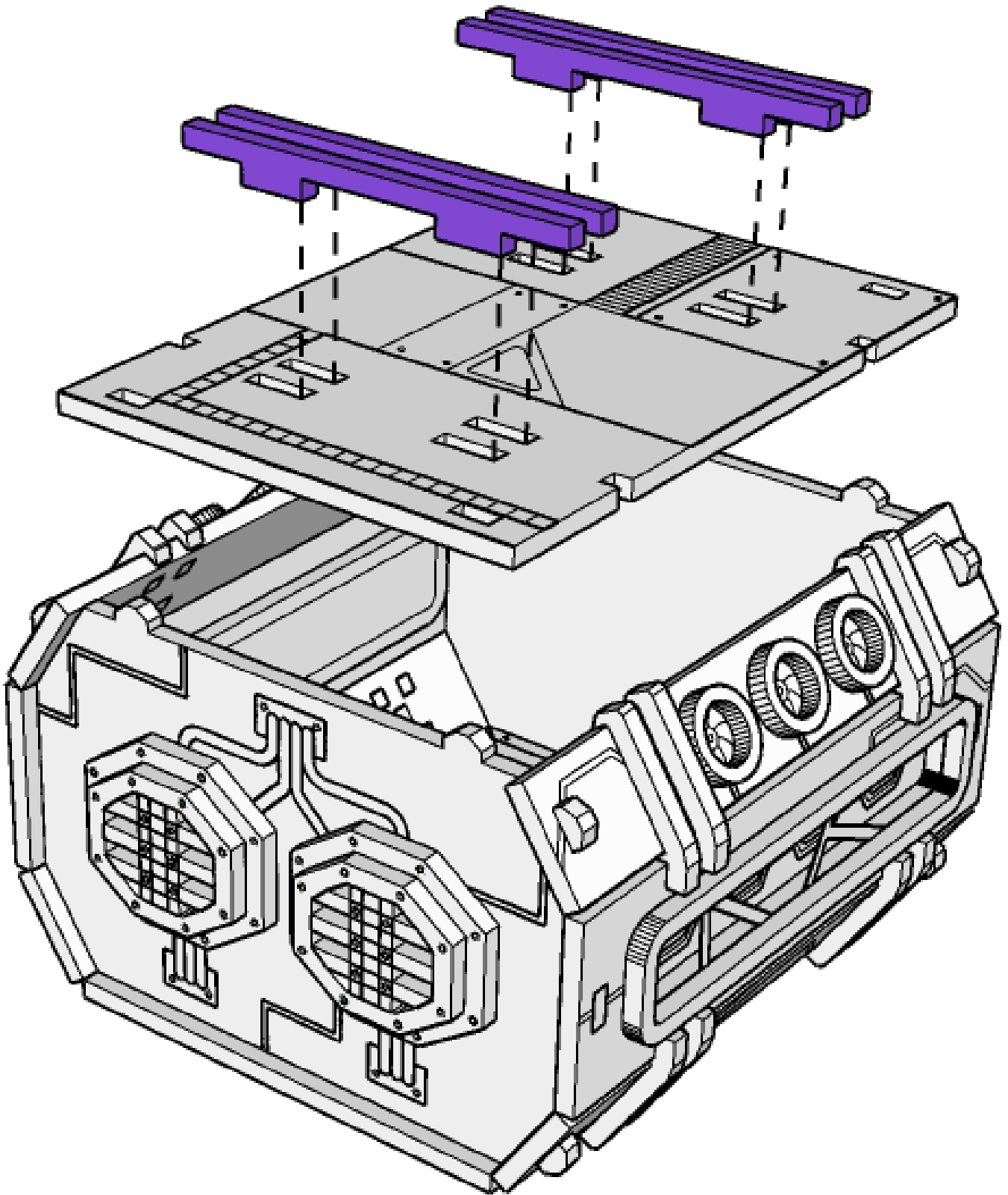




**TABLETOP  
SCENICS**

**TTSCW-SFU-106  
Prefab Chemical Lab**

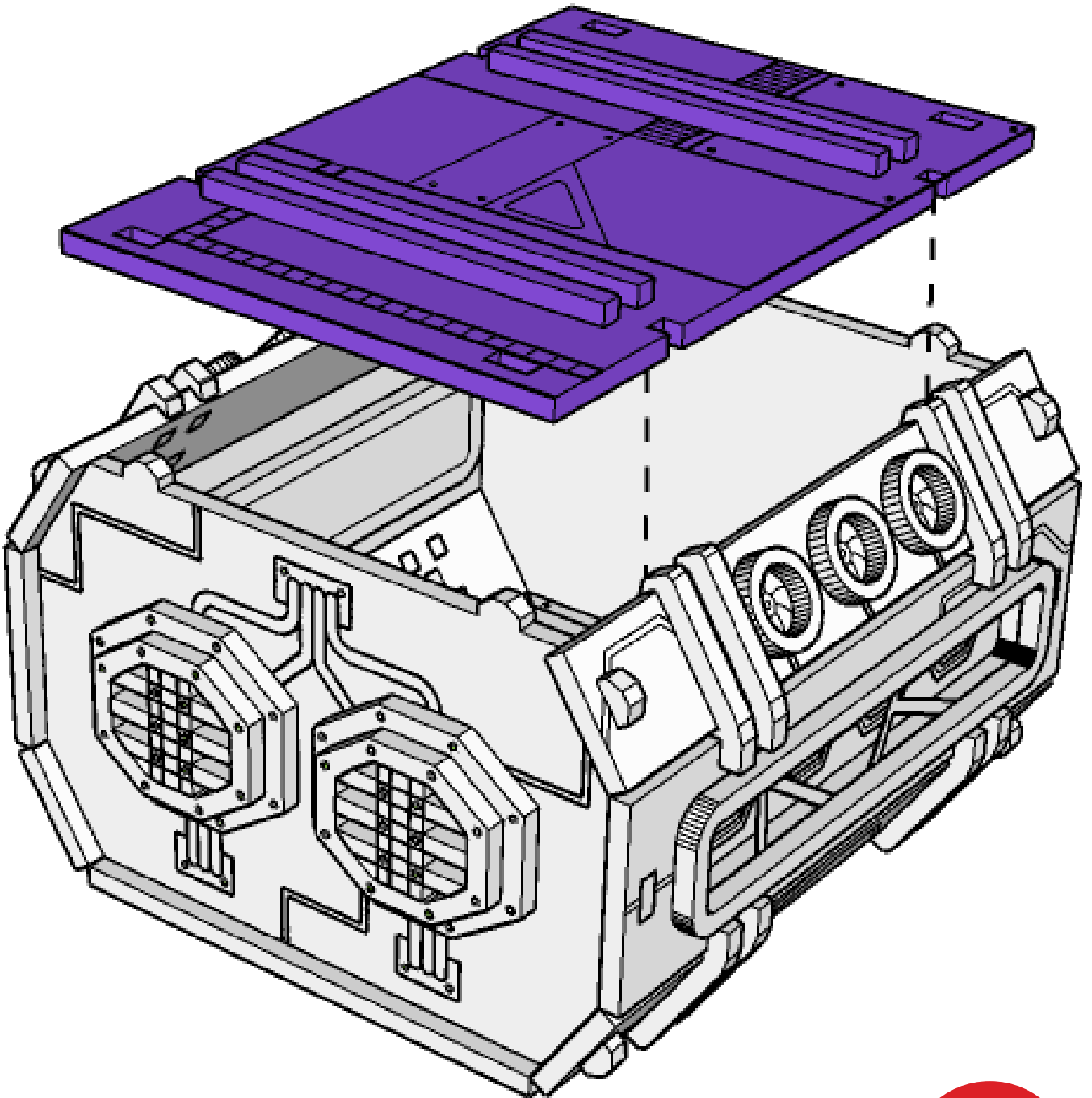






**TABLETOP  
SCENICS**

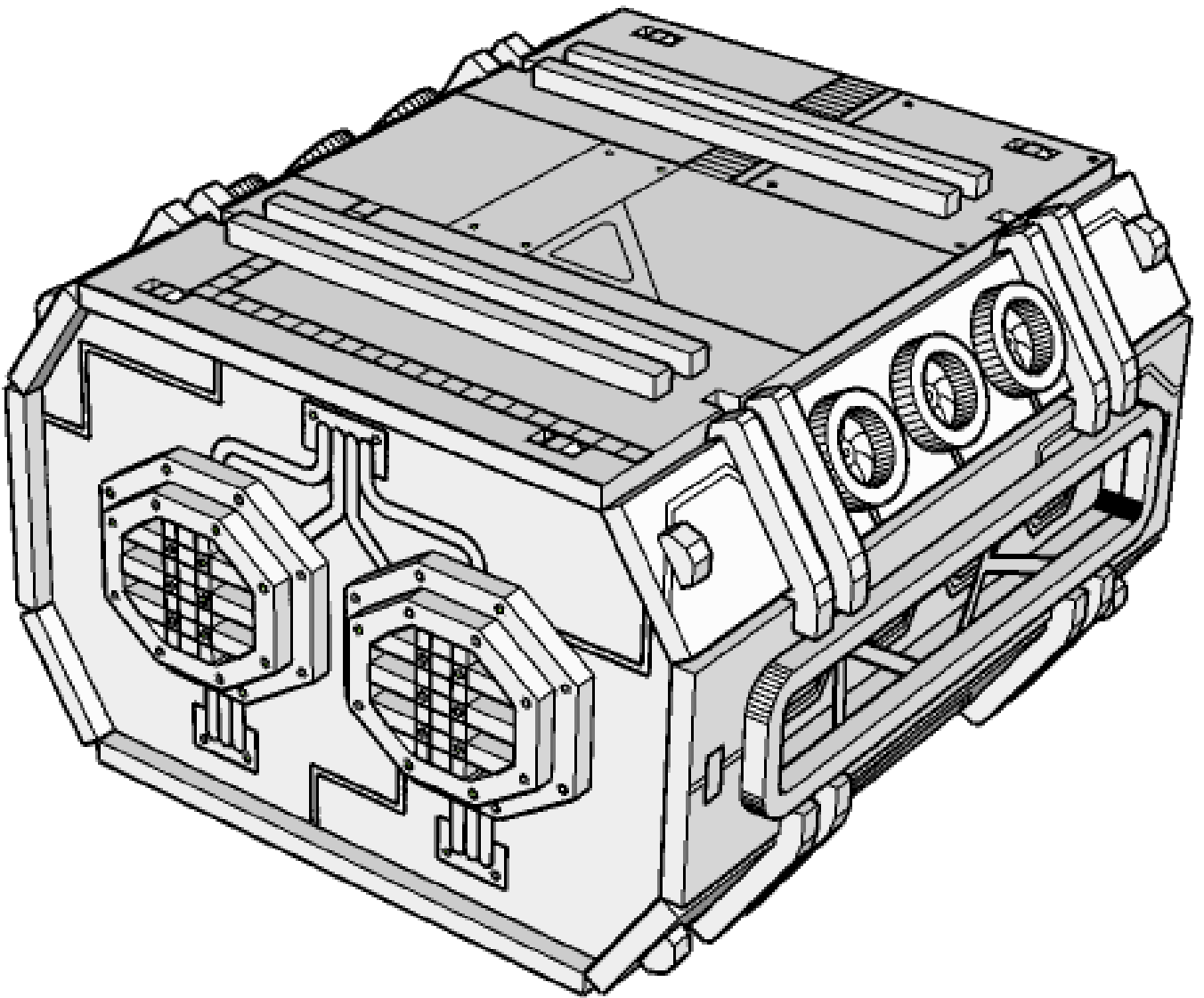
**TTSCW-SFU-106  
Prefab Chemical Lab**





**TABLETOP  
SCENICS**

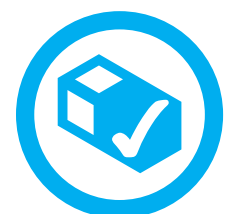
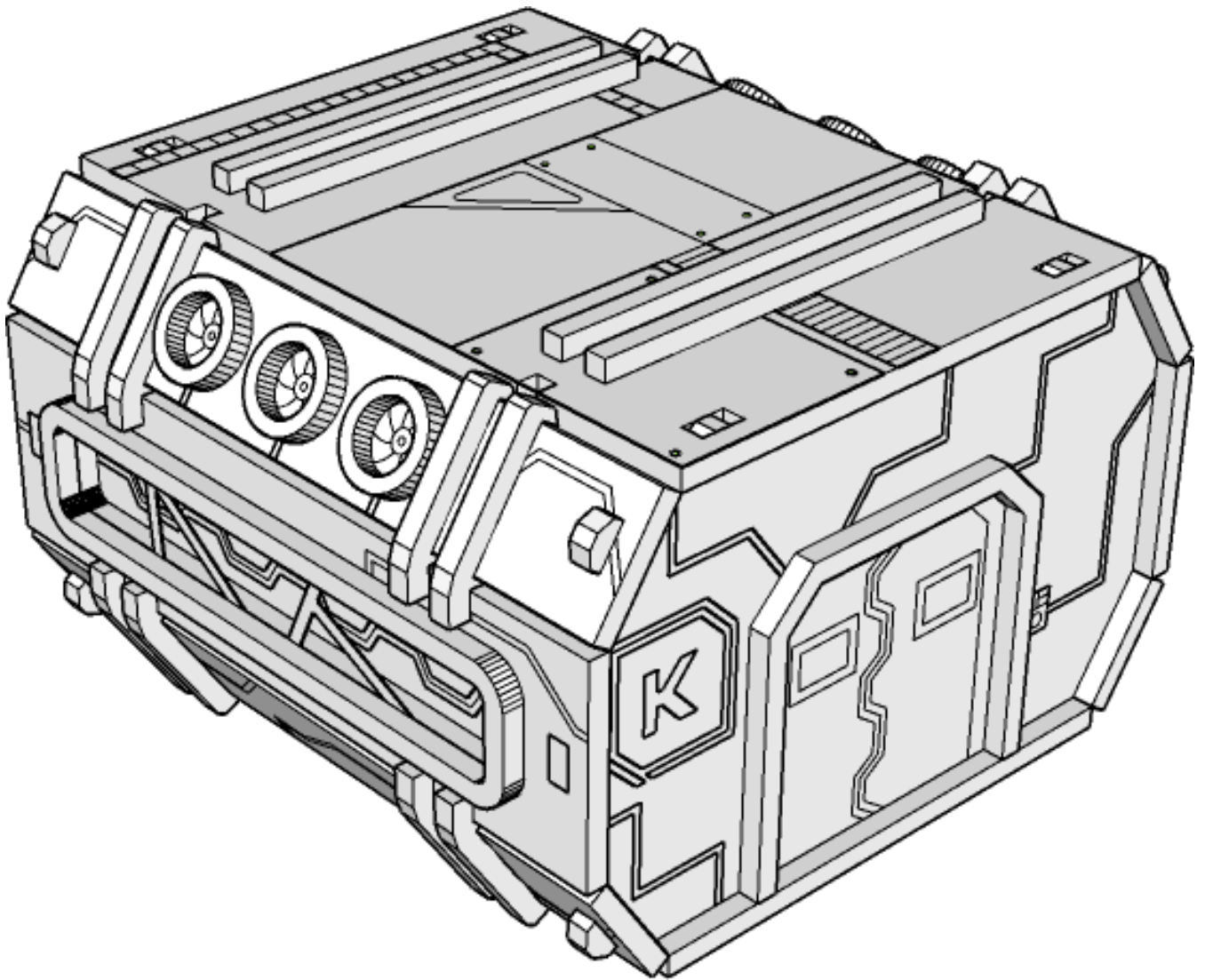
**TTSCW-SFU-106  
Prefab Chemical Lab**





**TABLETOP  
SCENICS**

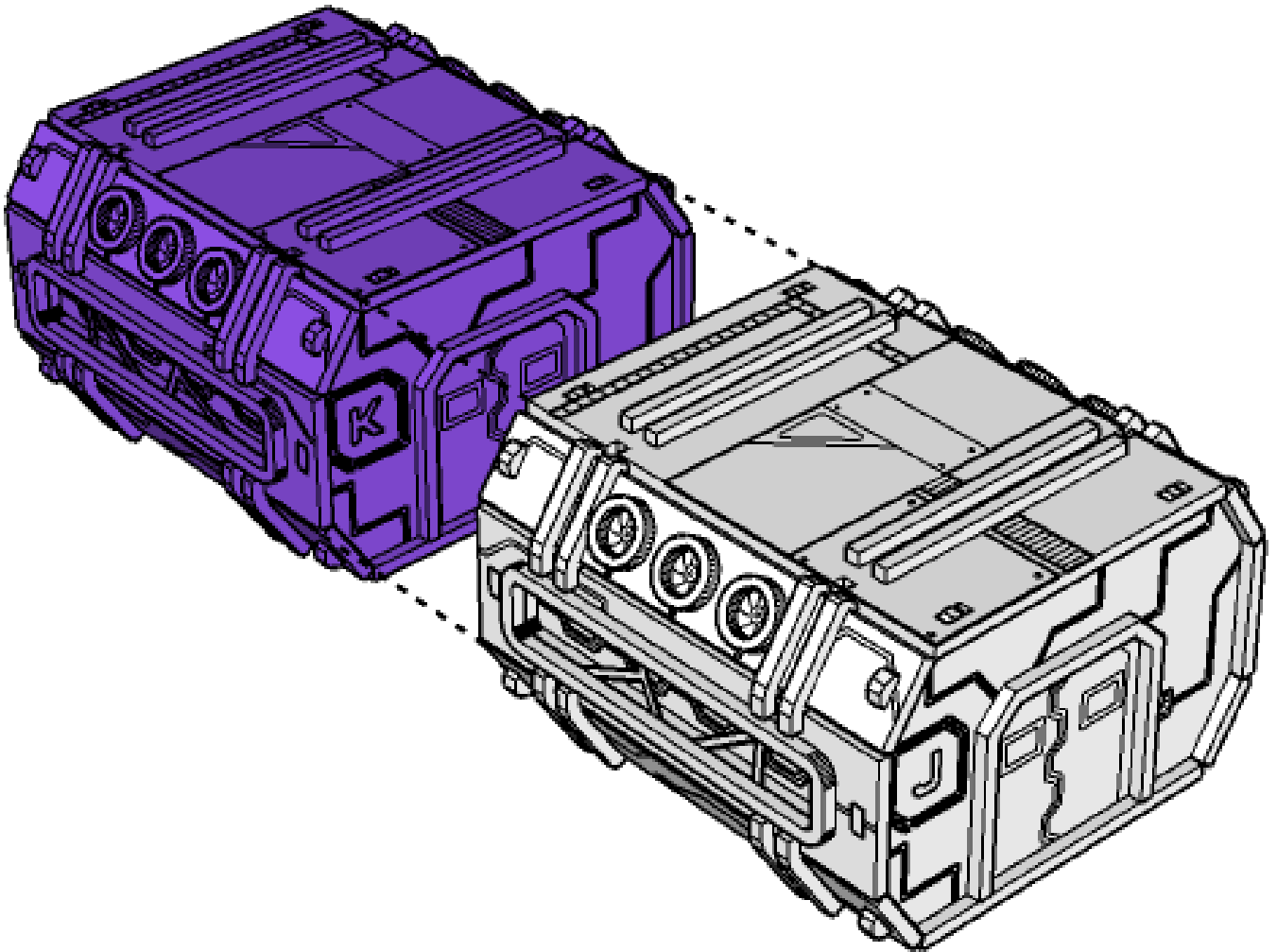
**TTSCW-SFU-106  
Prefab Chemical Lab**





**TABLETOP  
SCENICS**

**TTSCW-SFU-106  
Prefab Chemical Lab**

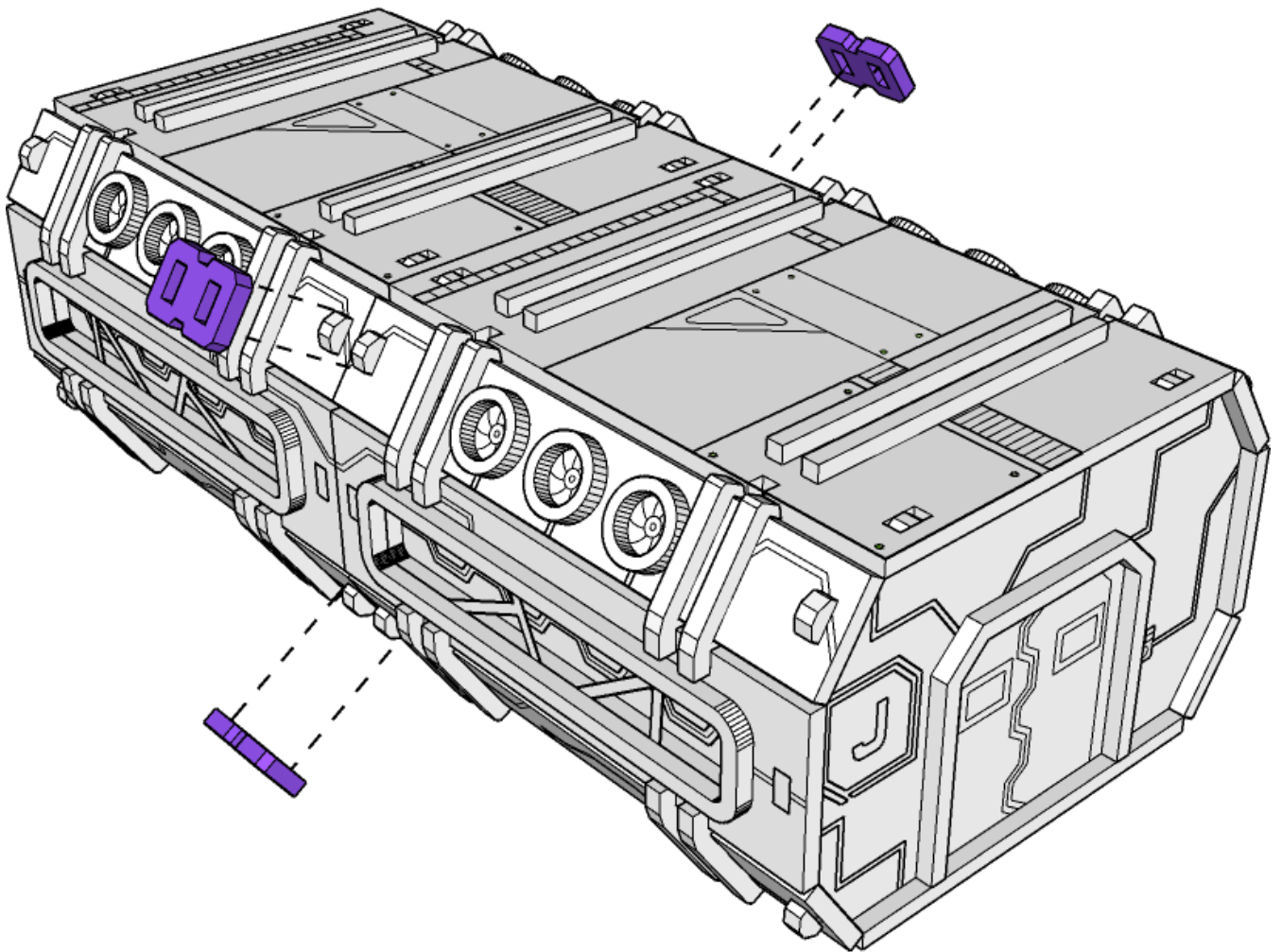






**TABLETOP  
SCENICS**

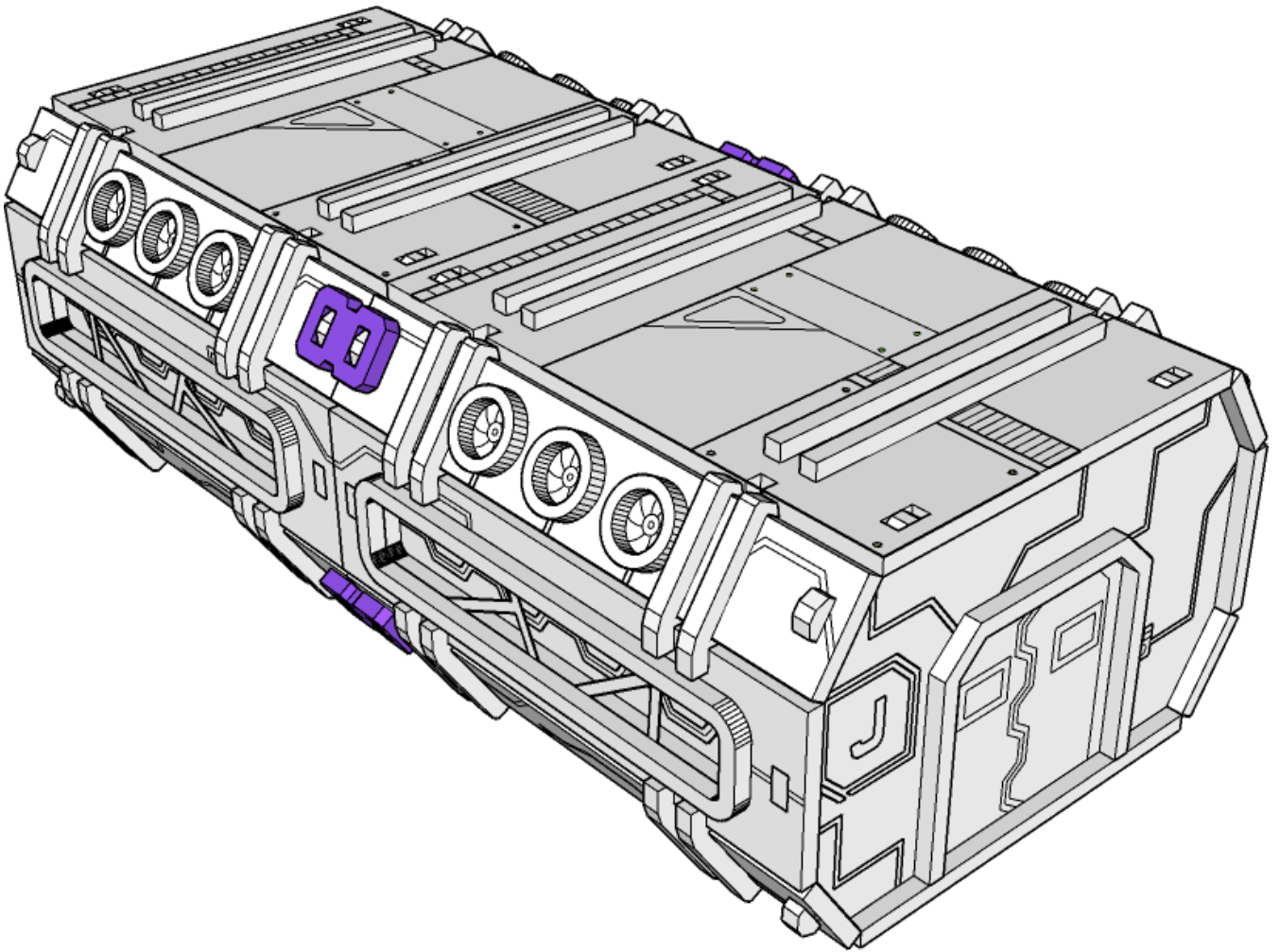
**TTSCW-SFU-106  
Prefab Chemical Lab**





**TABLETOP  
SCENICS**

**TTSCW-SFU-106  
Prefab Chemical Lab**



**70**

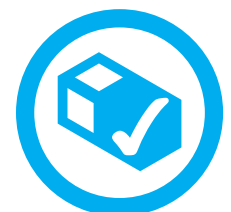
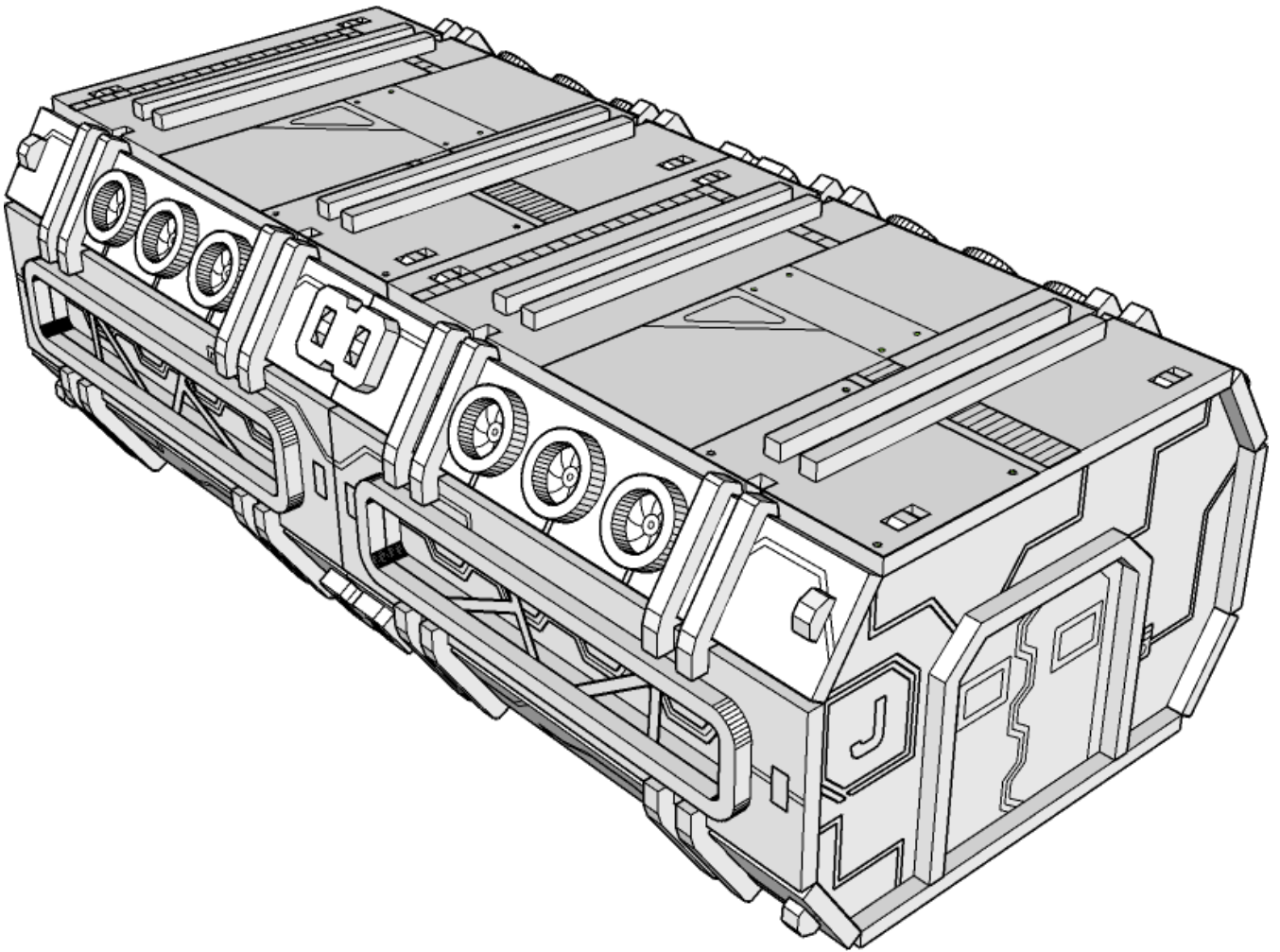


 **TTCOMBAT**



**TABLETOP  
SCENICS**

**TTSCW-SFU-106  
Prefab Chemical Lab**

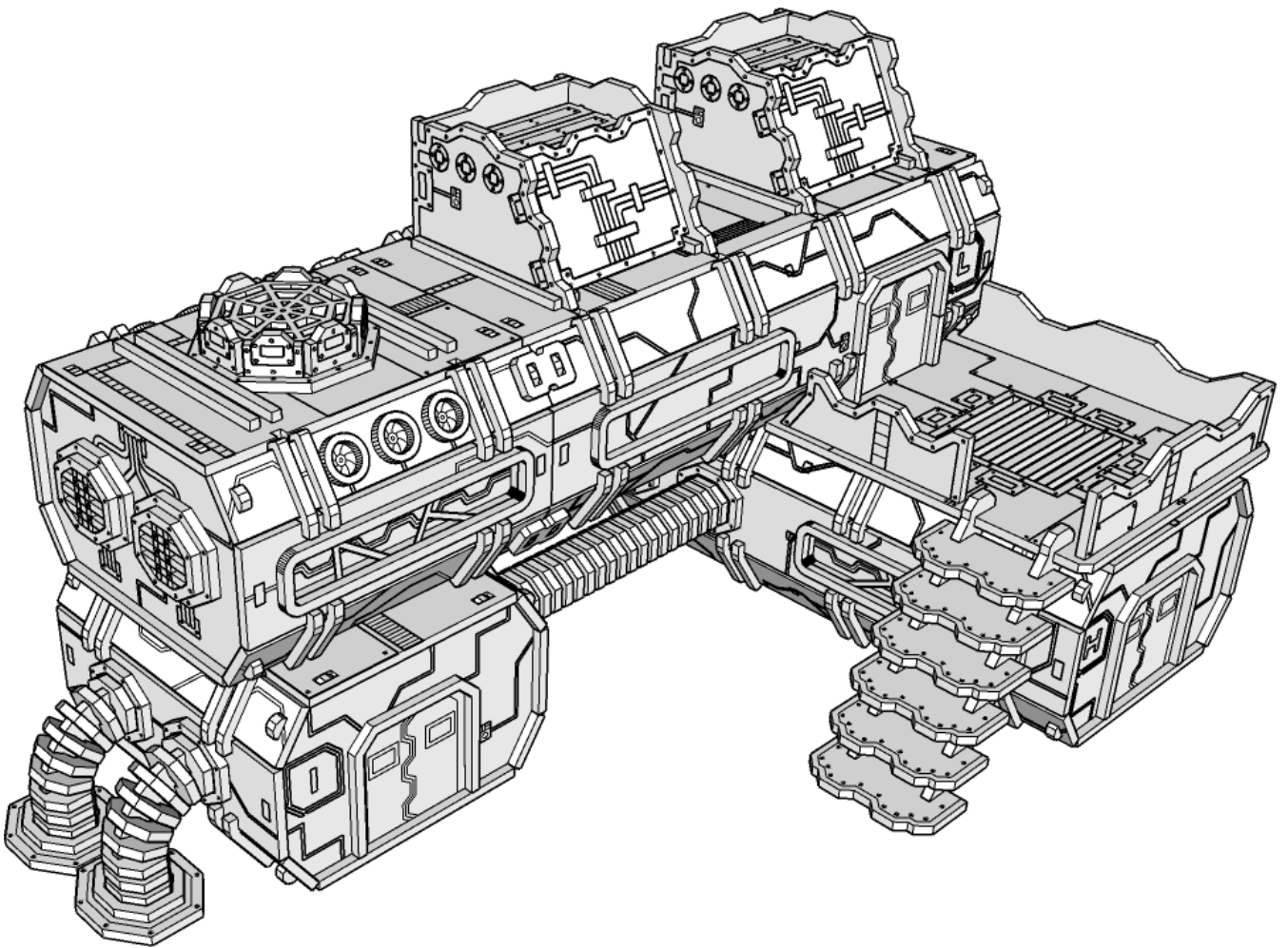


 **TTCOMBAT**



**TABLETOP  
SCENICS**

**TTSCW-SFU-106  
Prefab Chemical Lab**

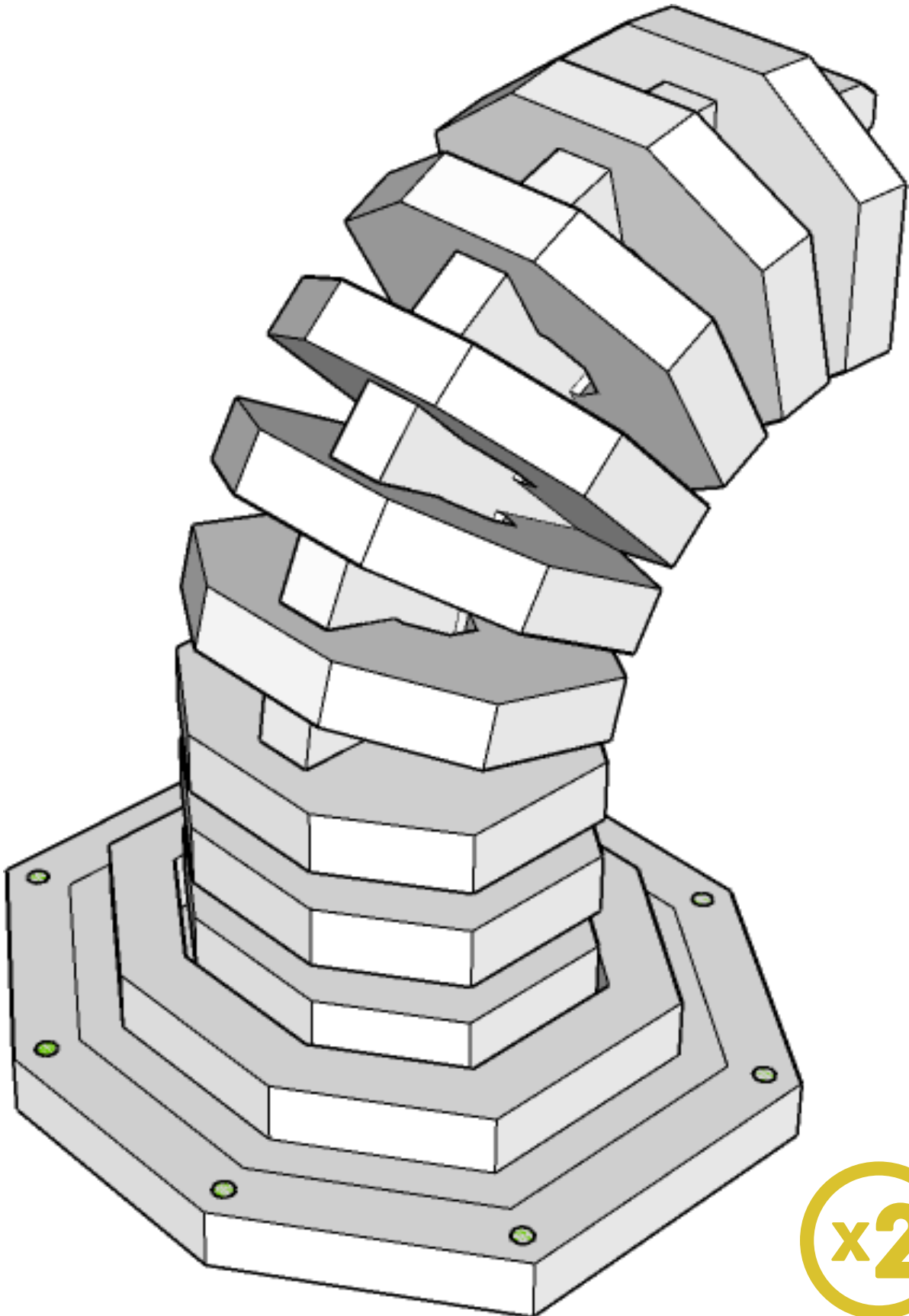






**TABLETOP  
SCENICS**

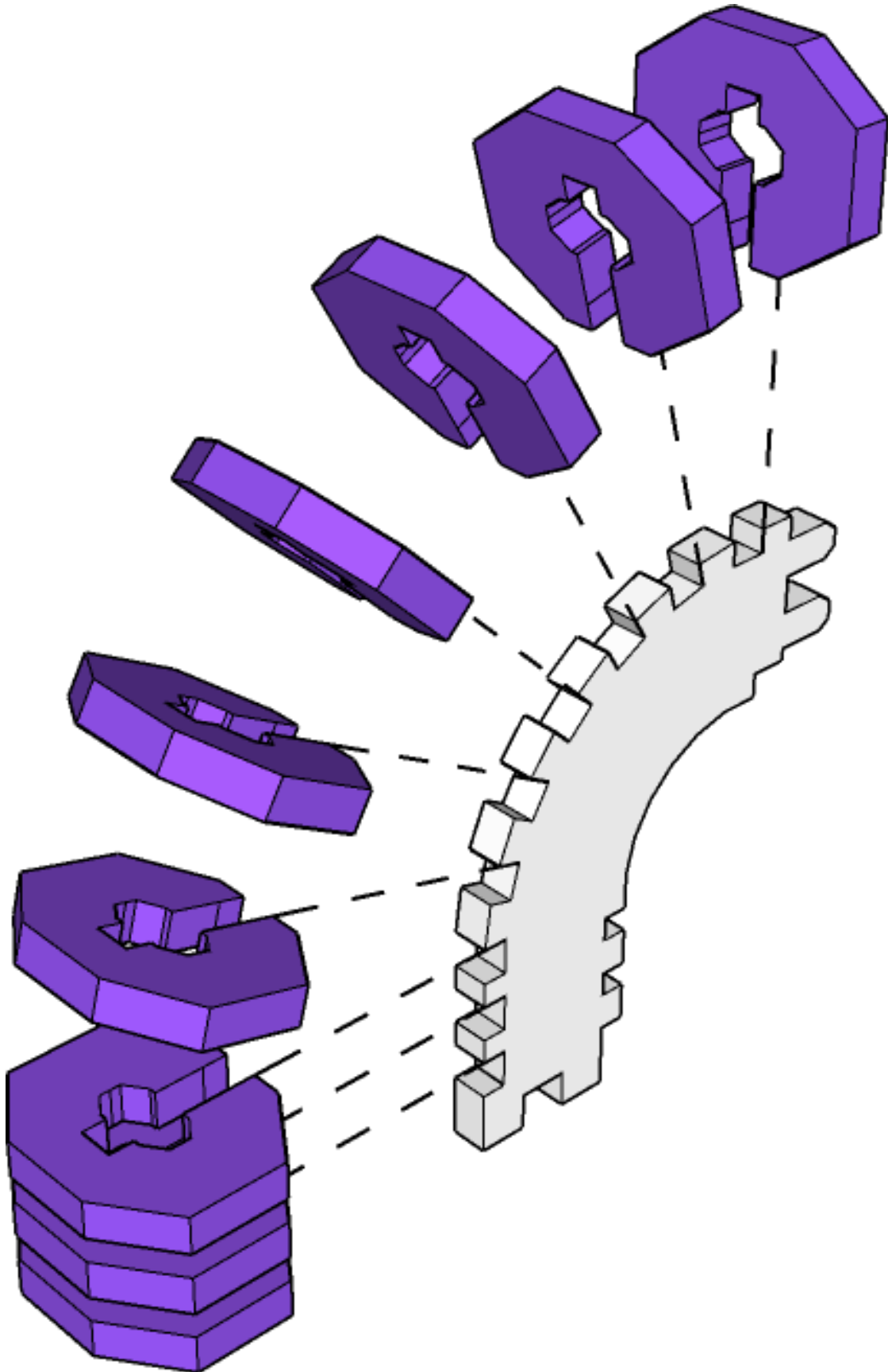
**TTSCW-SFU-106  
Prefab Chemical Lab**



**x2**

**73**

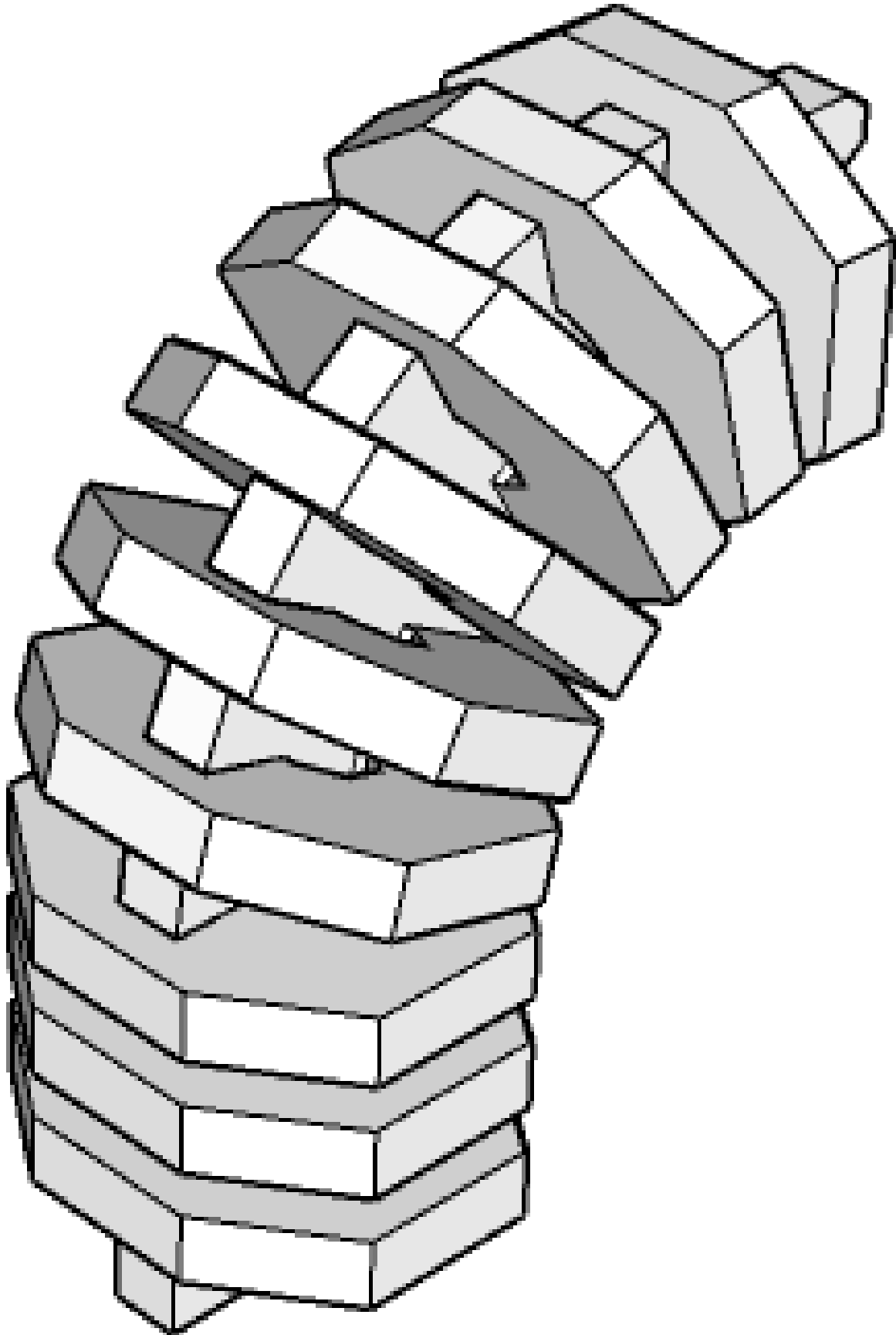
 **TTCOMBAT**

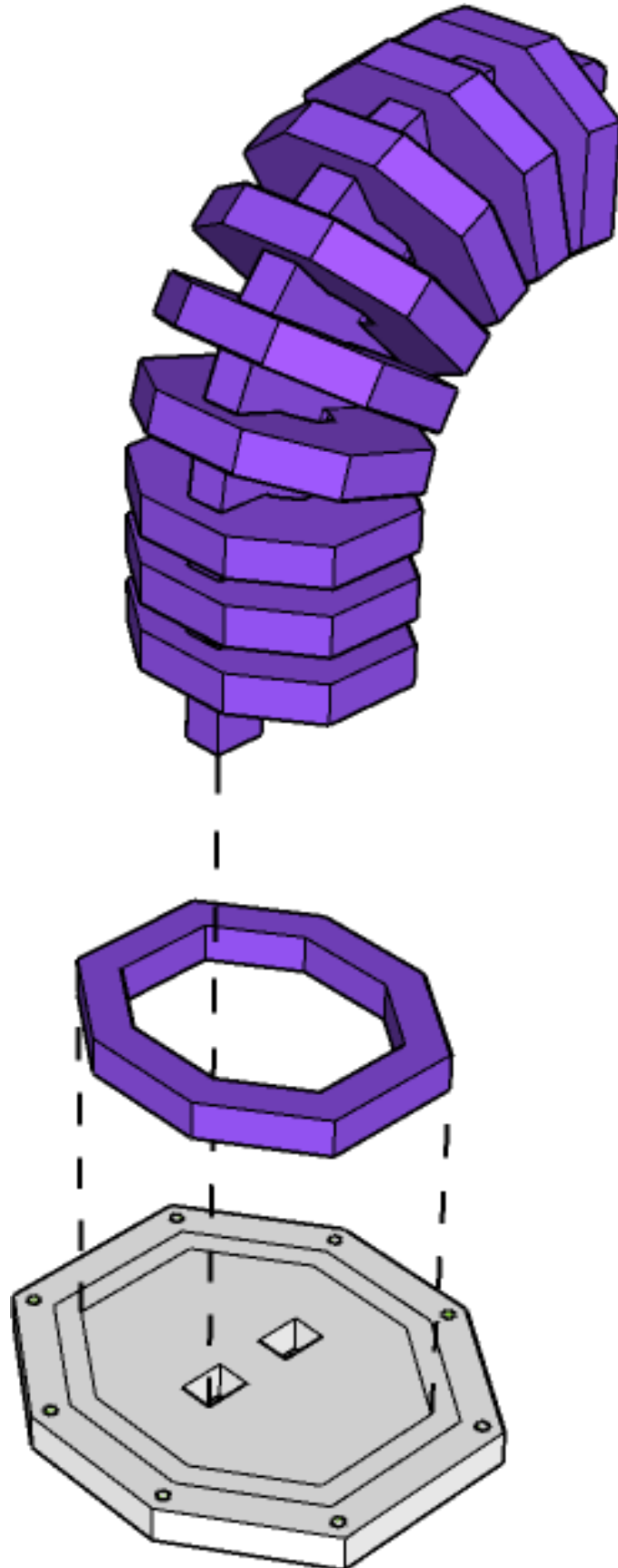




# TABLETOP SCENICS

**TTSCW-SFU-106**  
**Prefab Chemical Lab**



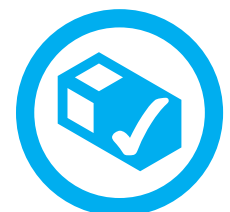
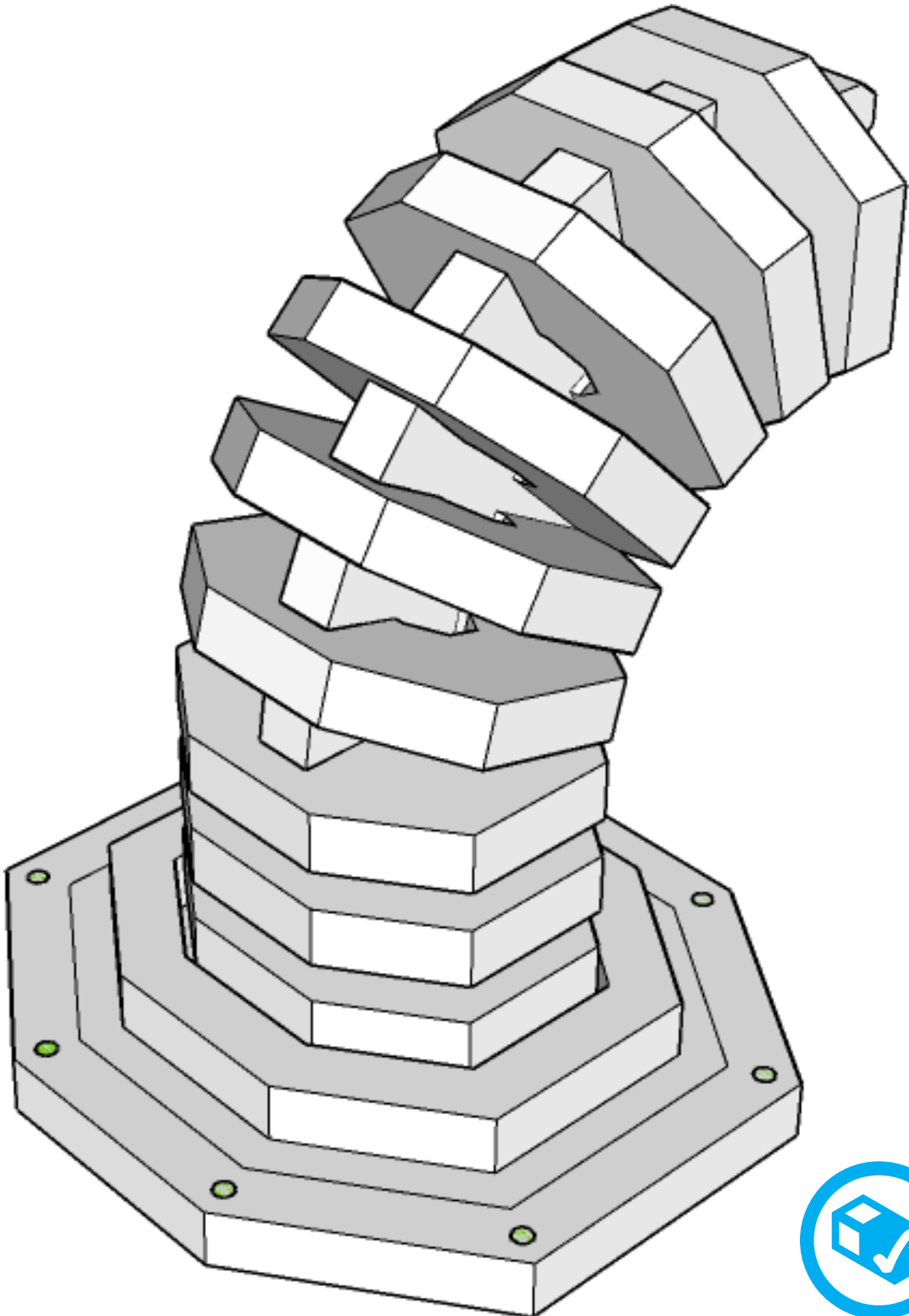






**TABLETOP  
SCENICS**

**TTSCW-SFU-106  
Prefab Chemical Lab**



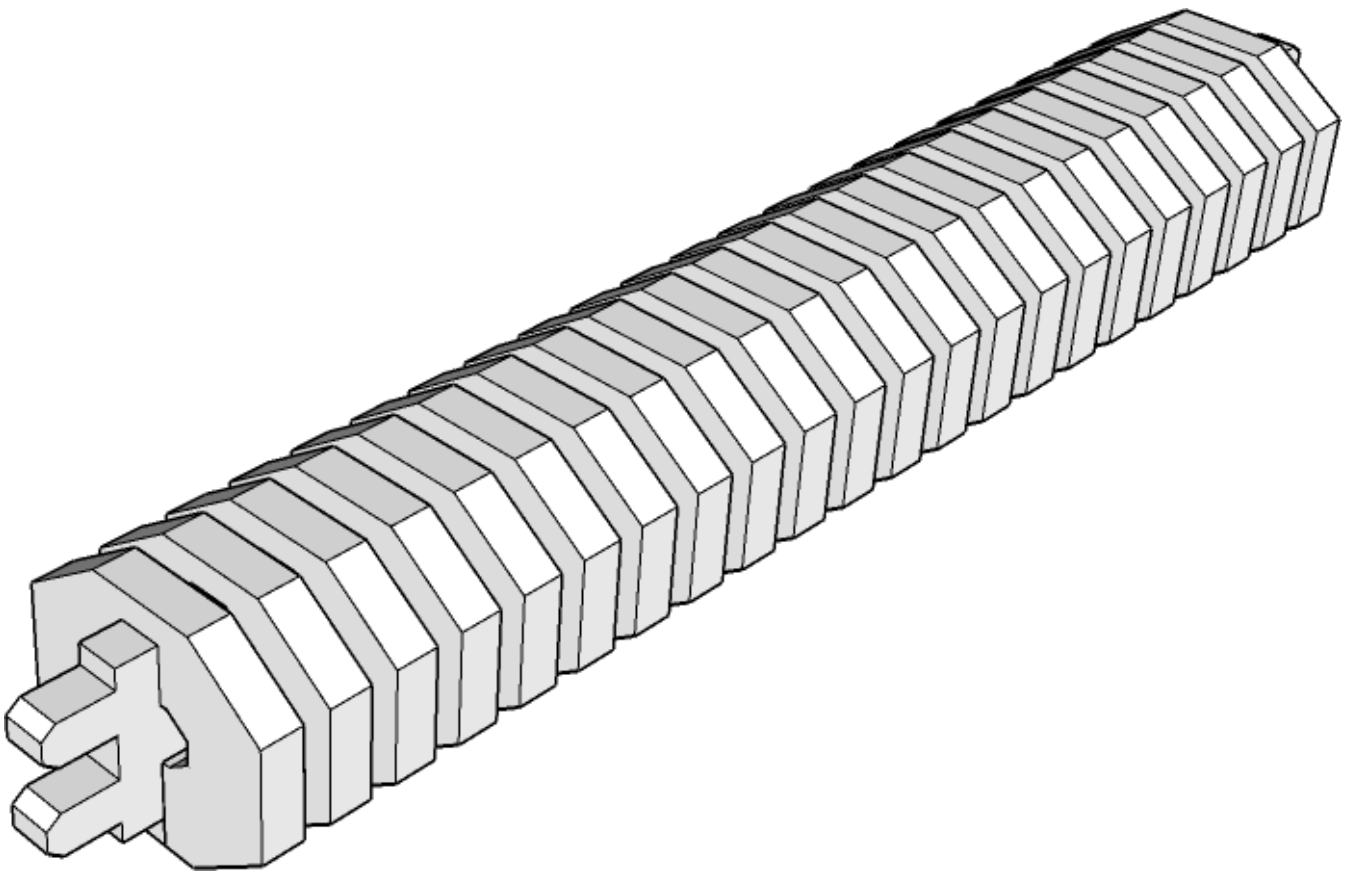
**77**

 **TTCOMBAT**



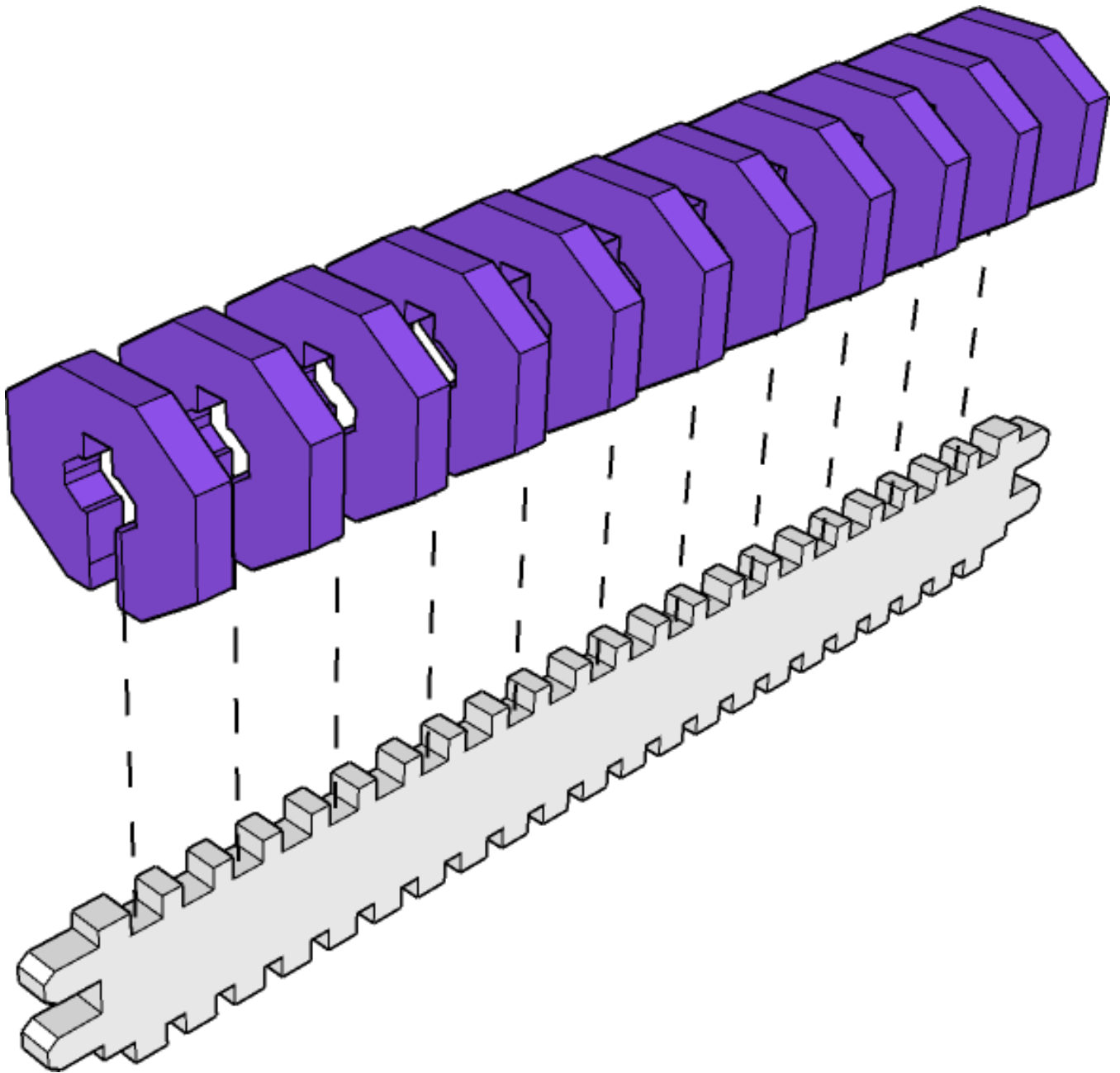
**TABLETOP  
SCENICS**

**TTSCW-SFU-106  
Prefab Chemical Lab**



**78**

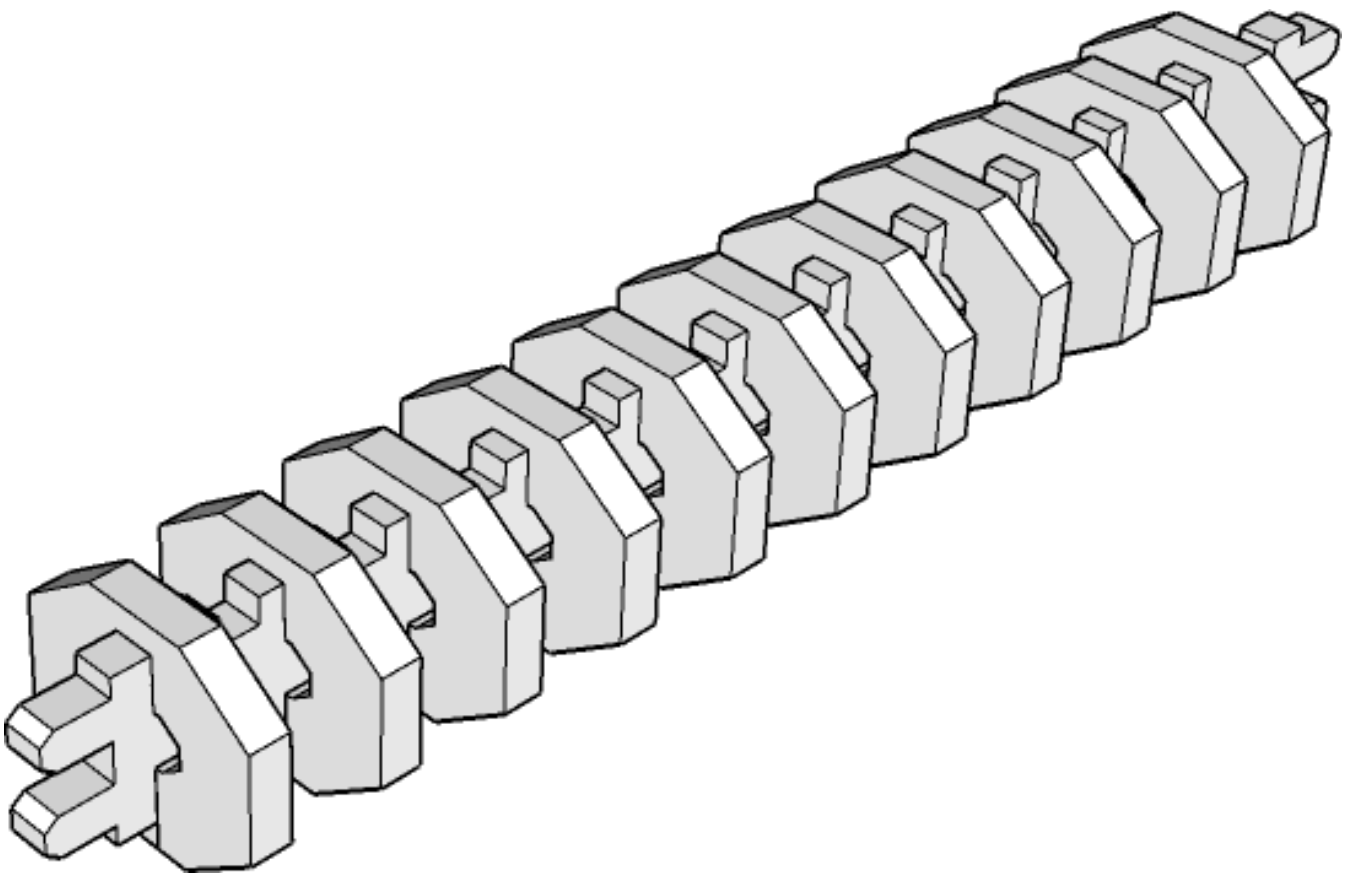


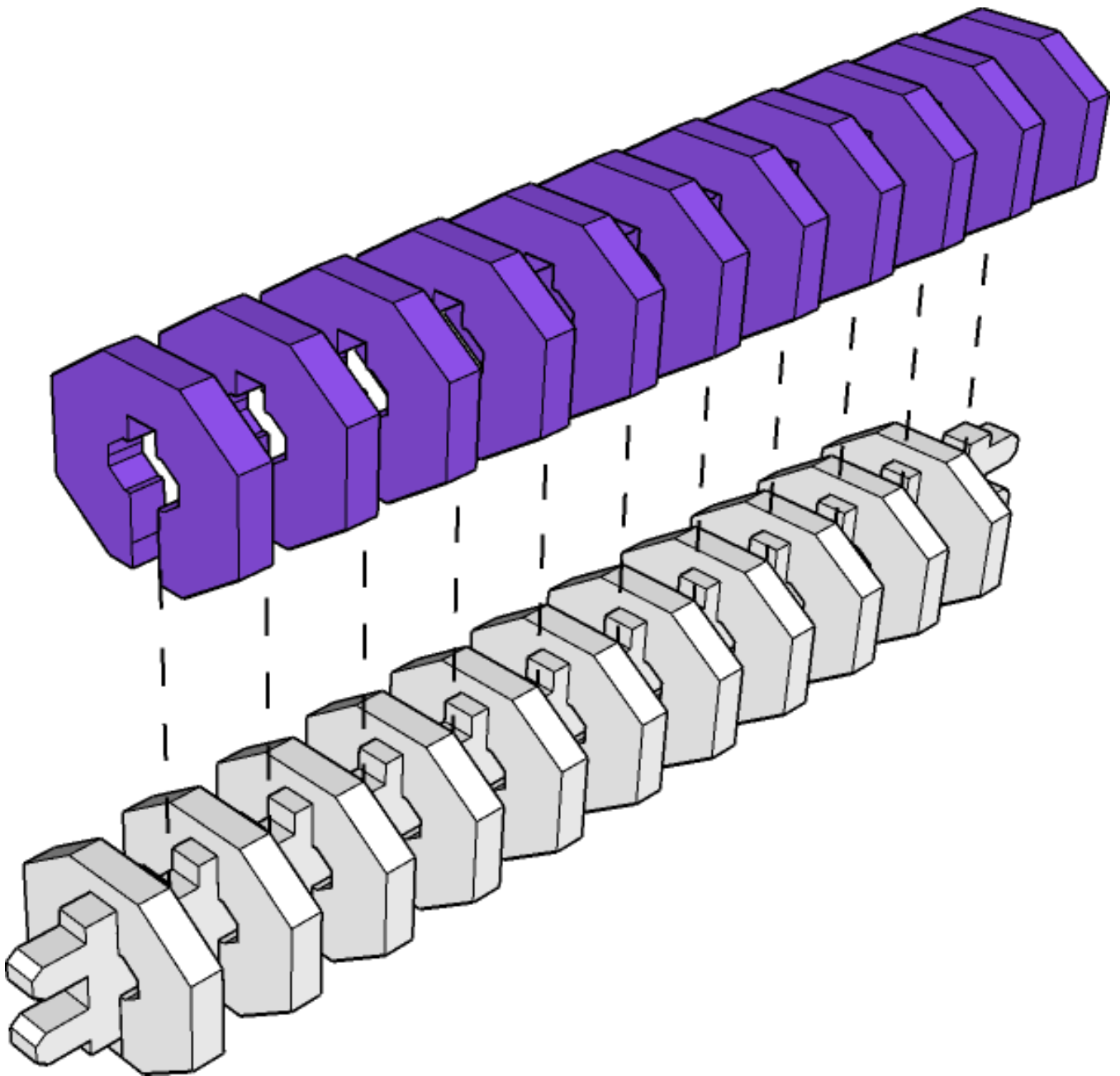




**TABLETOP  
SCENICS**

**TTSCW-SFU-106  
Prefab Chemical Lab**

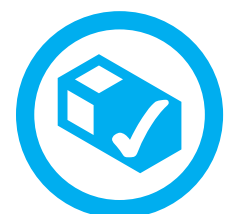
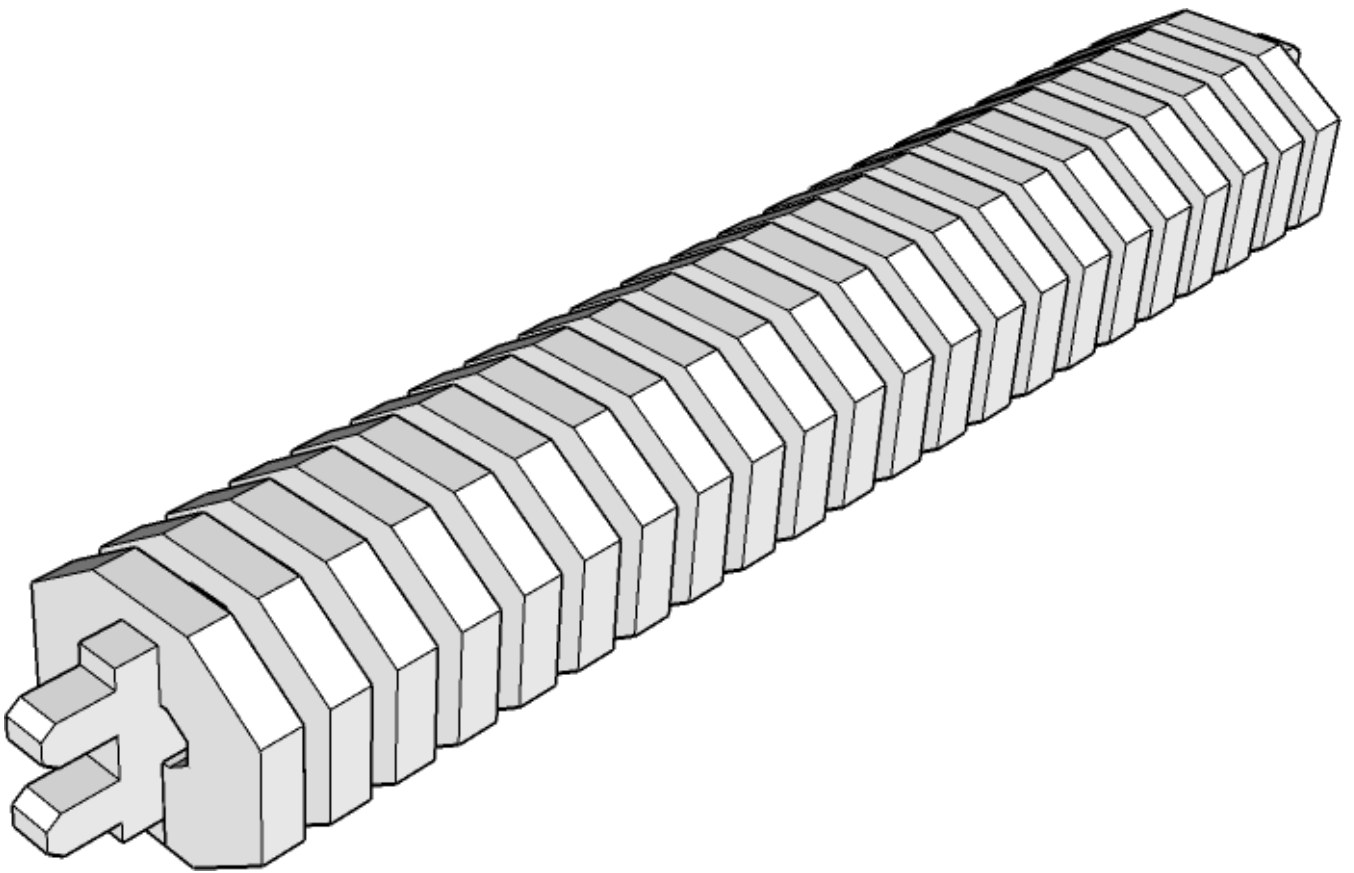


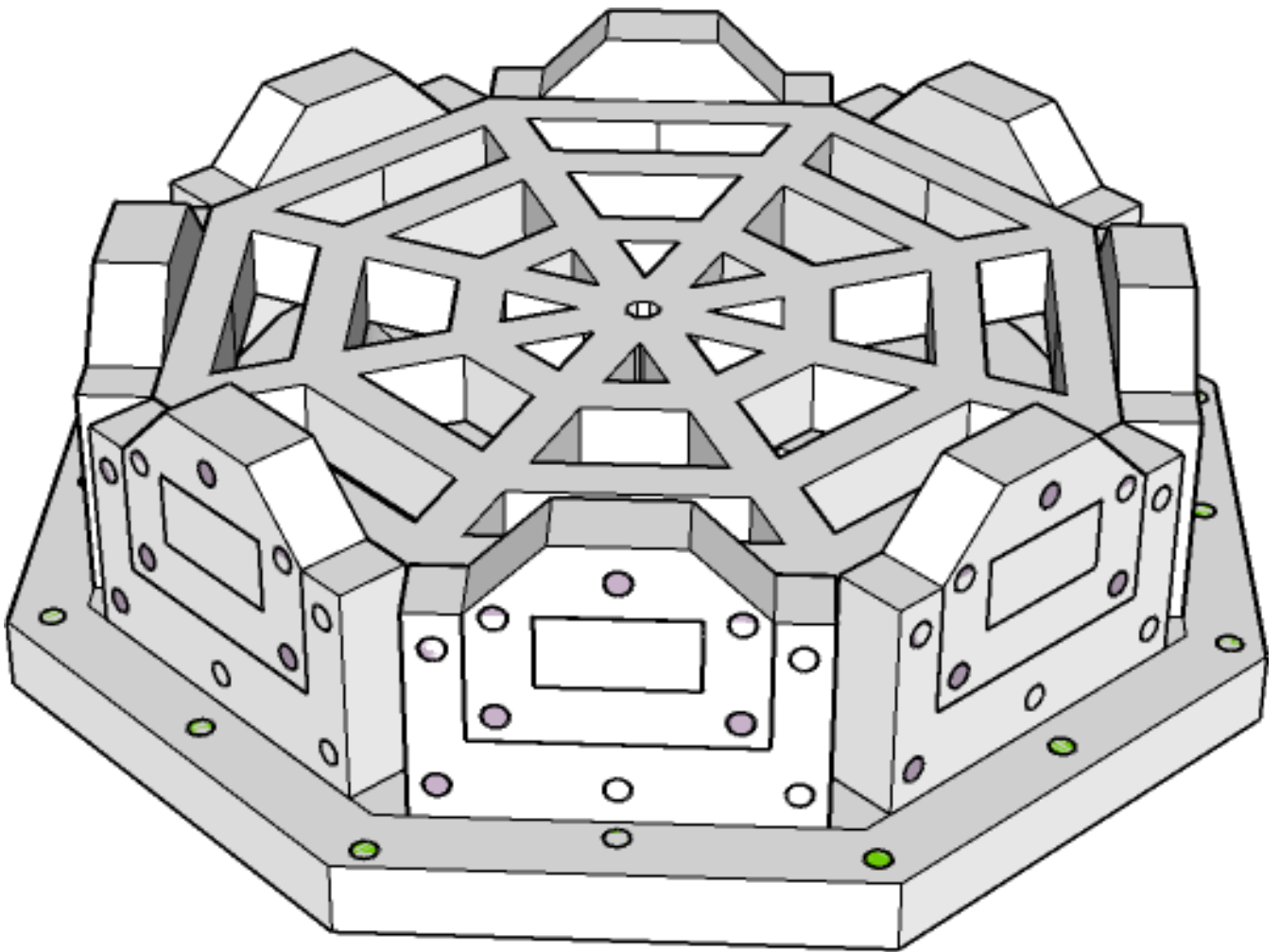


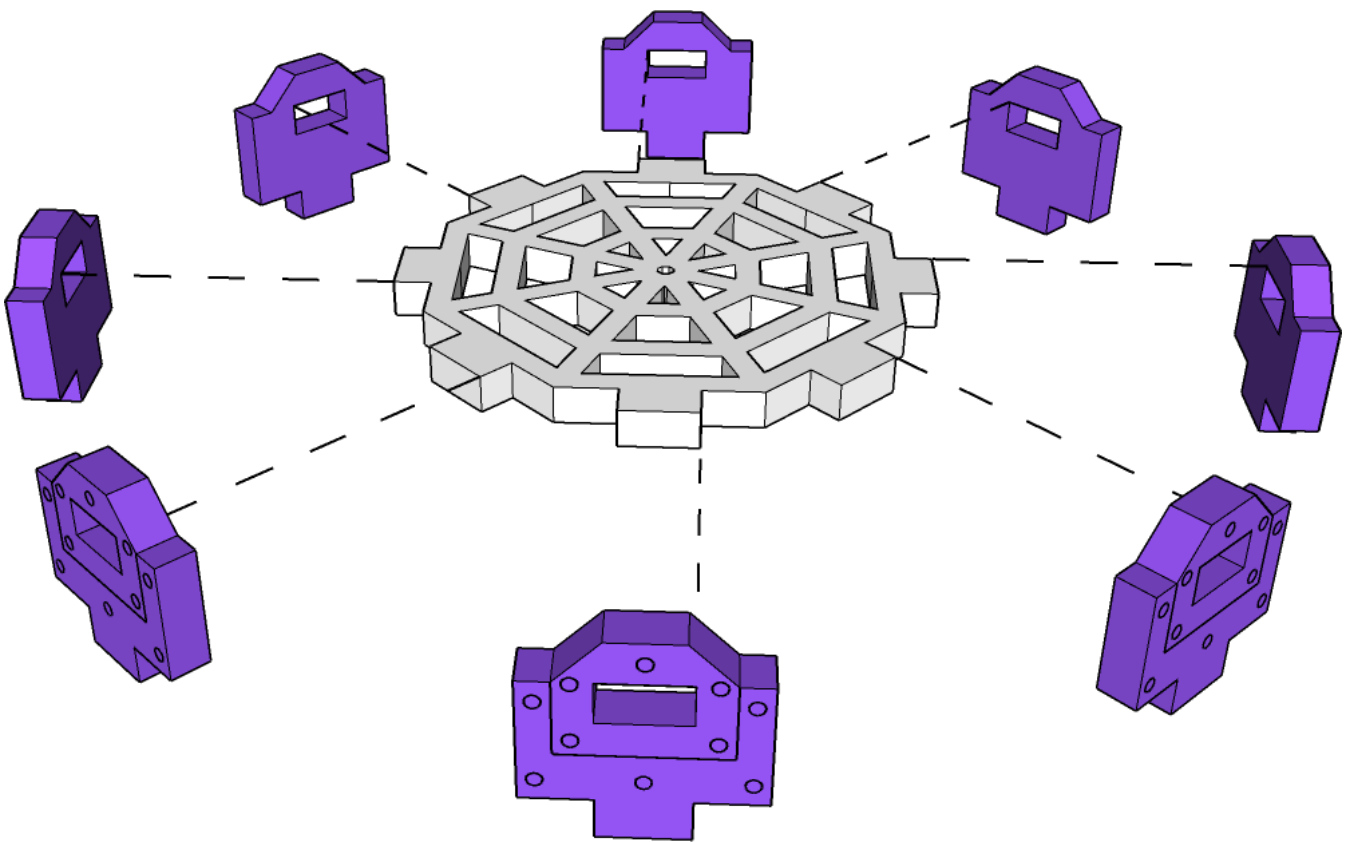


**TABLETOP  
SCENICS**

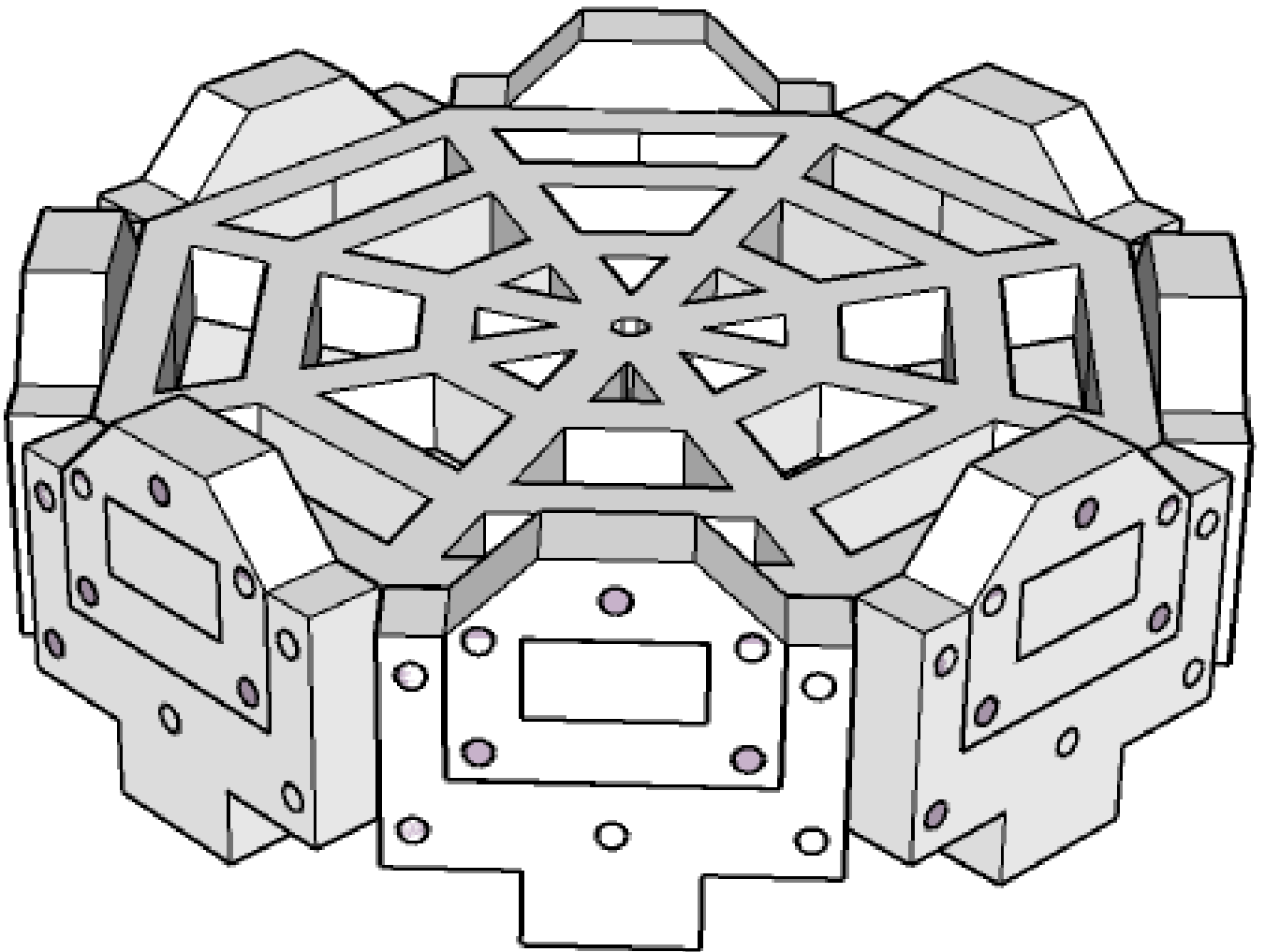
**TTSCW-SFU-106  
Prefab Chemical Lab**







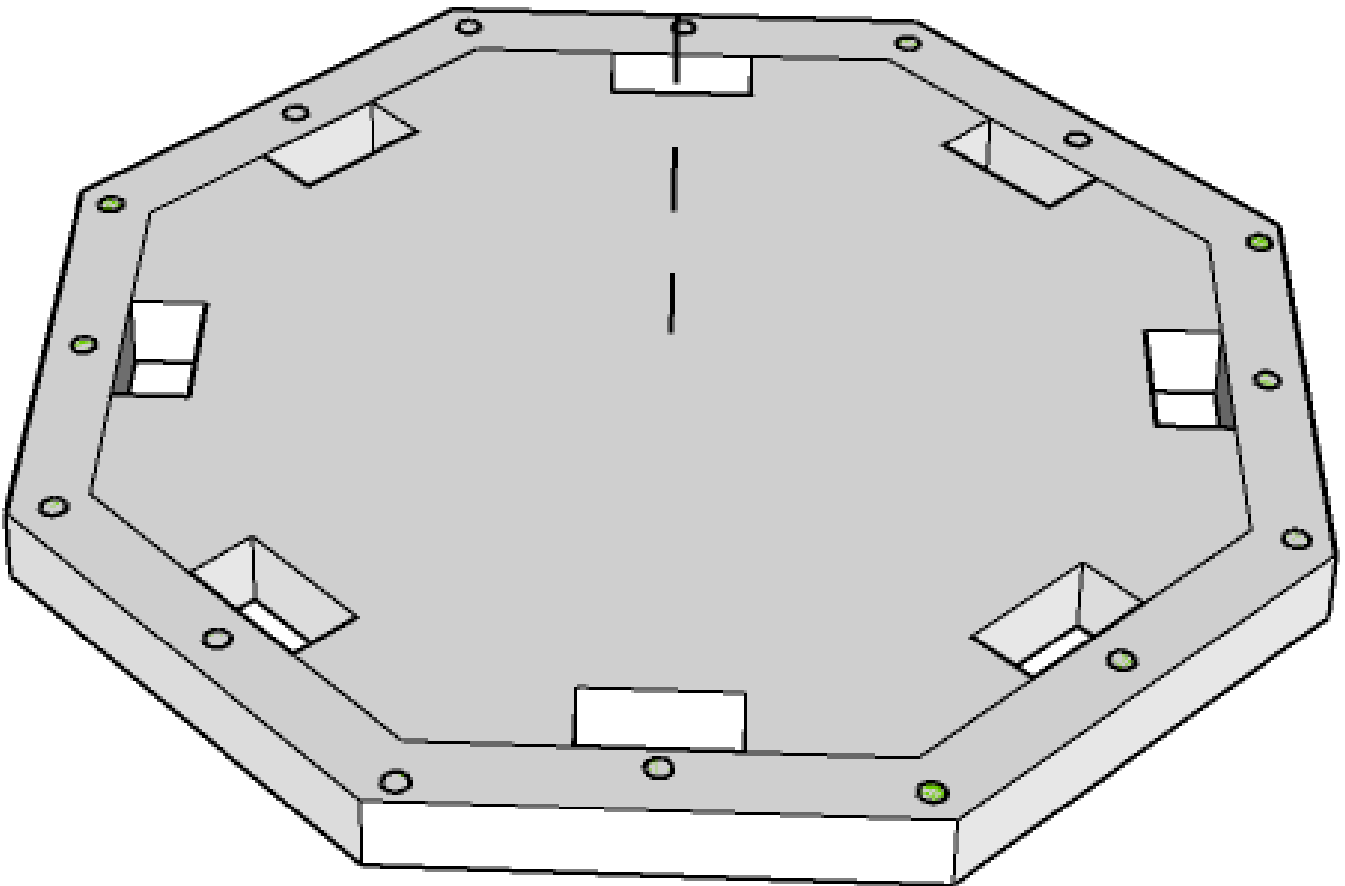
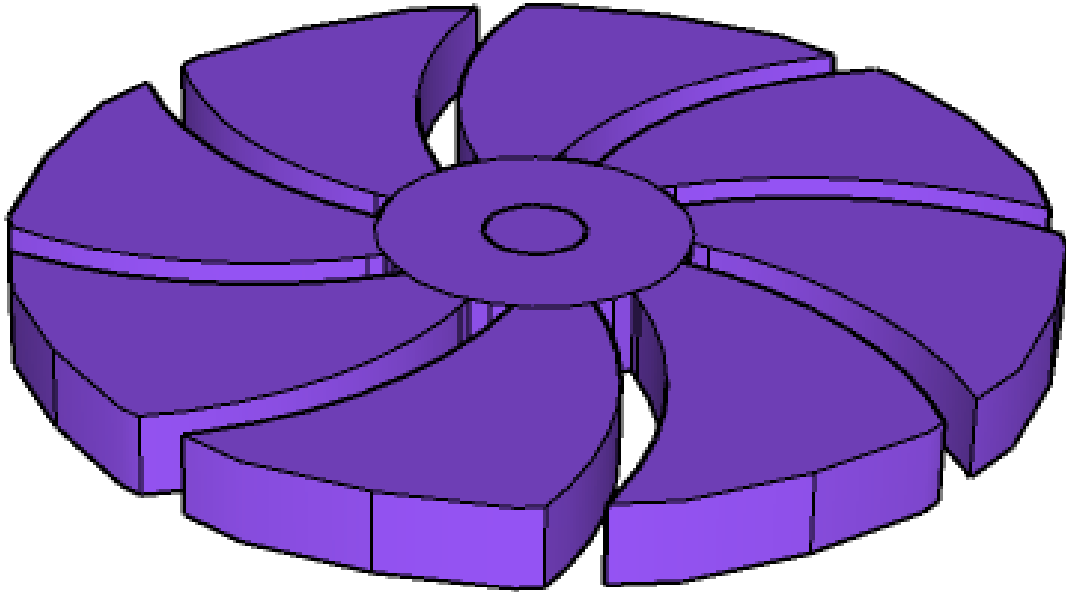


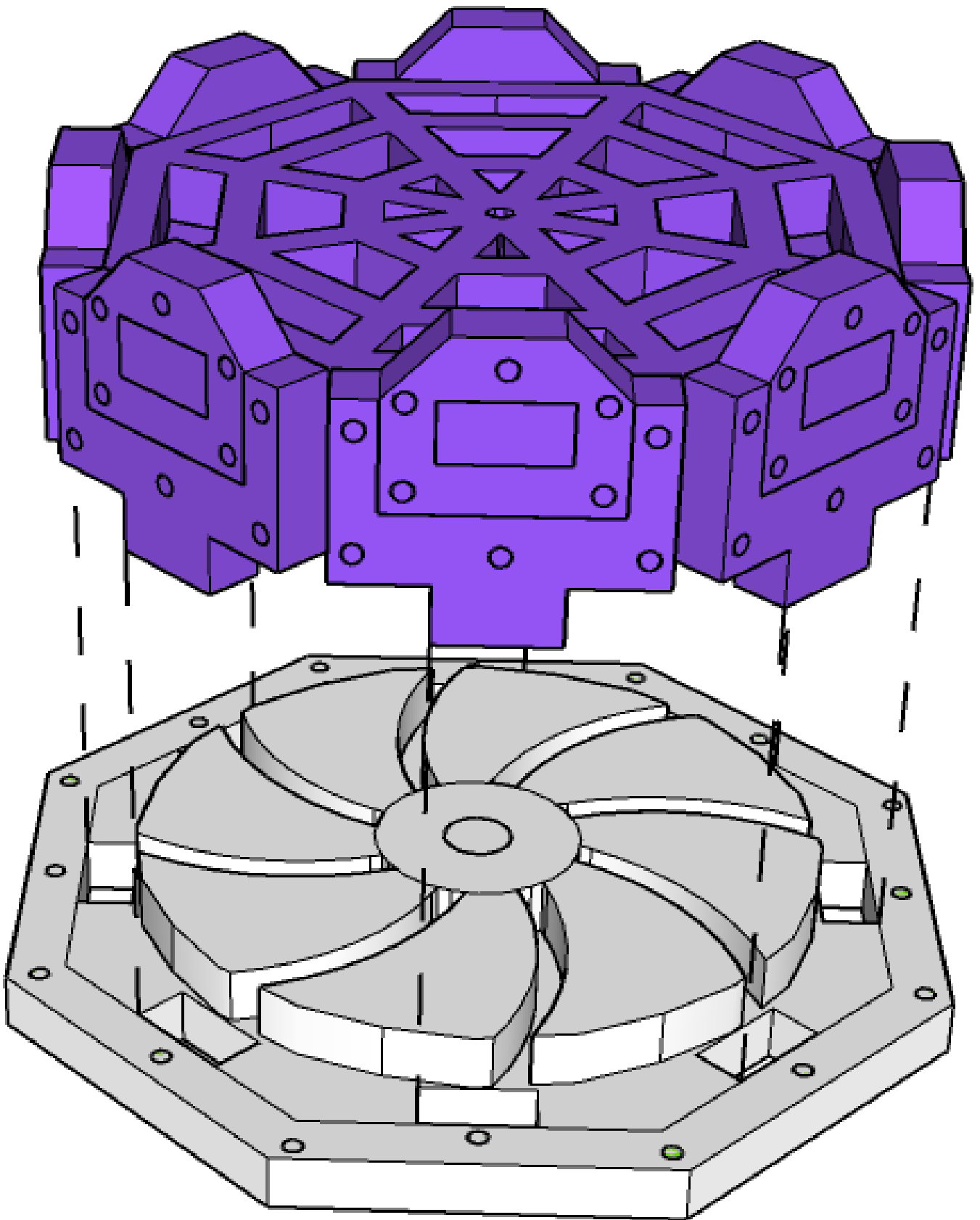


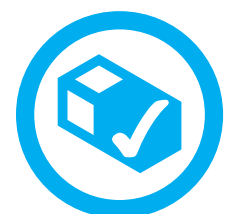
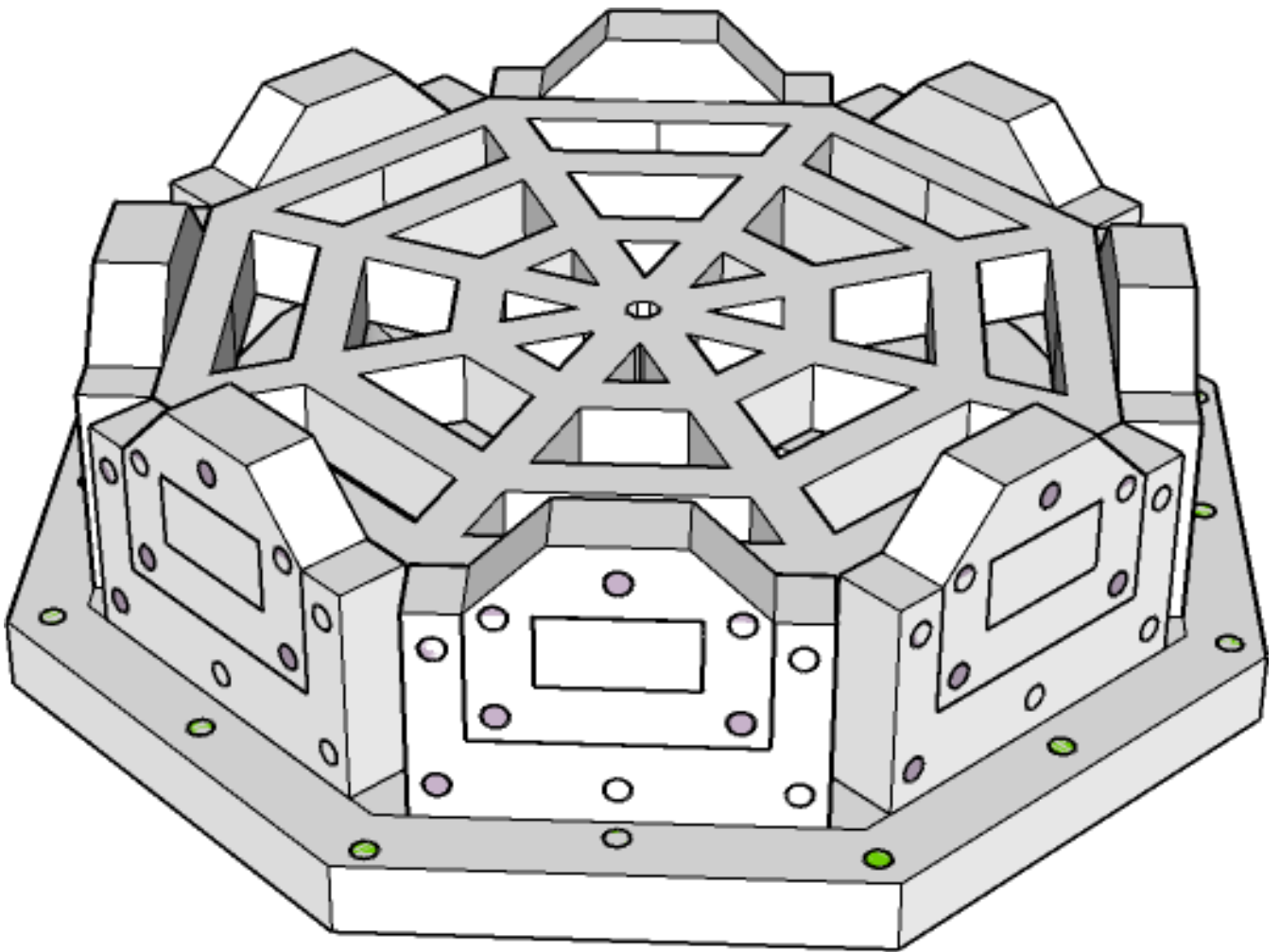


TABLETOP  
**SCENICS**

**TTSCW-SFU-106**  
**Prefab Chemical Lab**



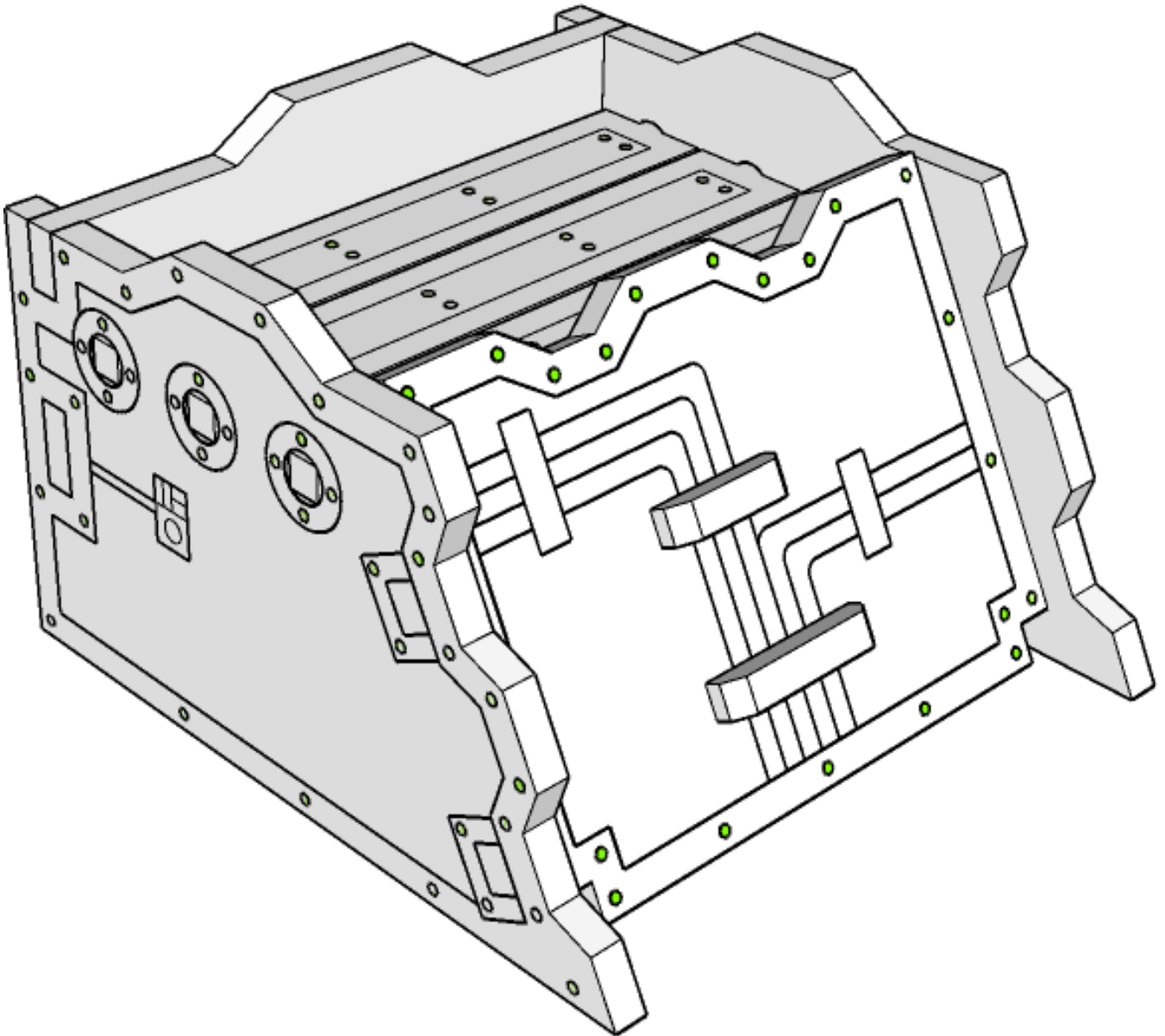




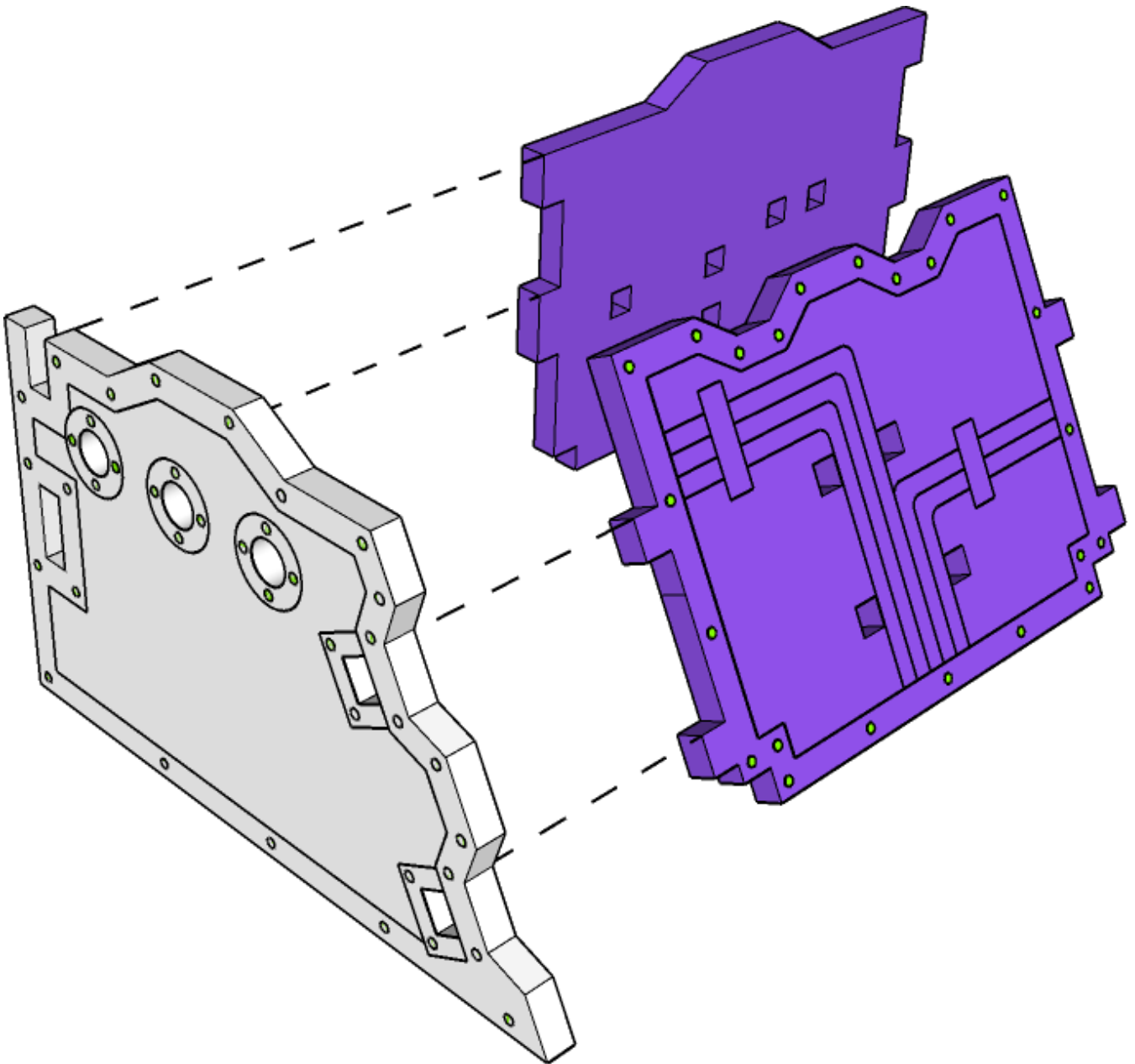


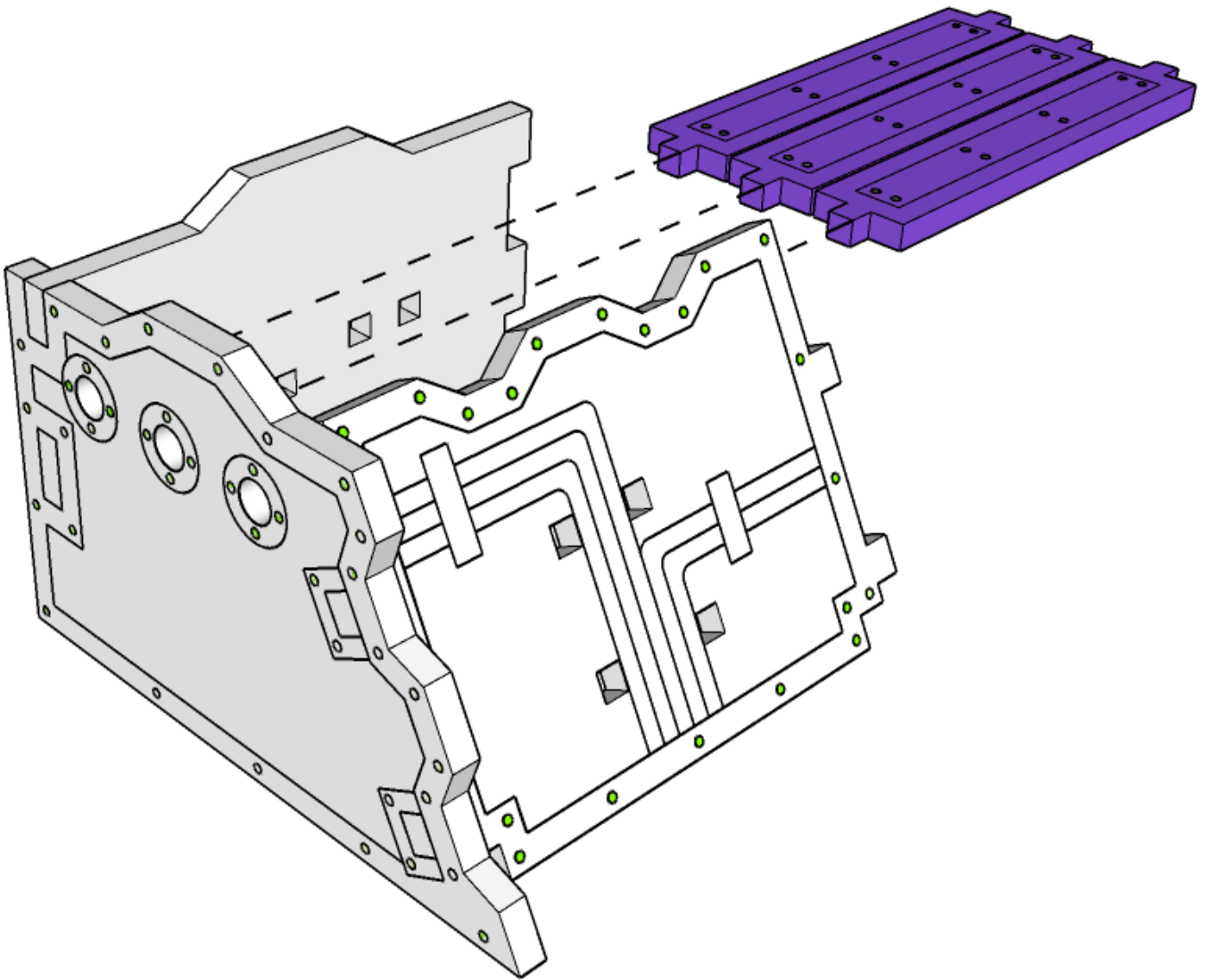
**TABLETOP  
SCENICS**

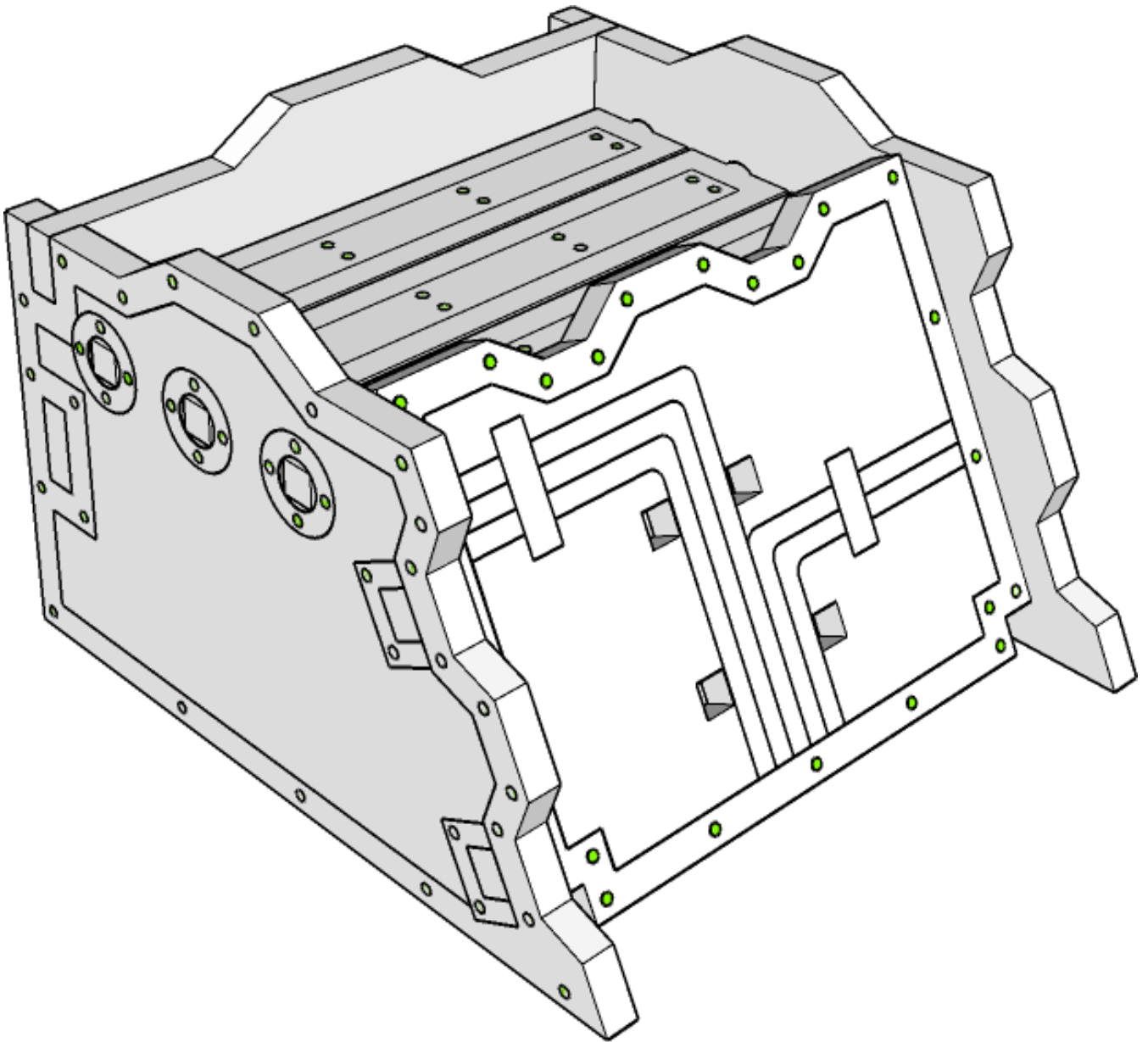
**TTSCW-SFU-106  
Prefab Chemical Lab**



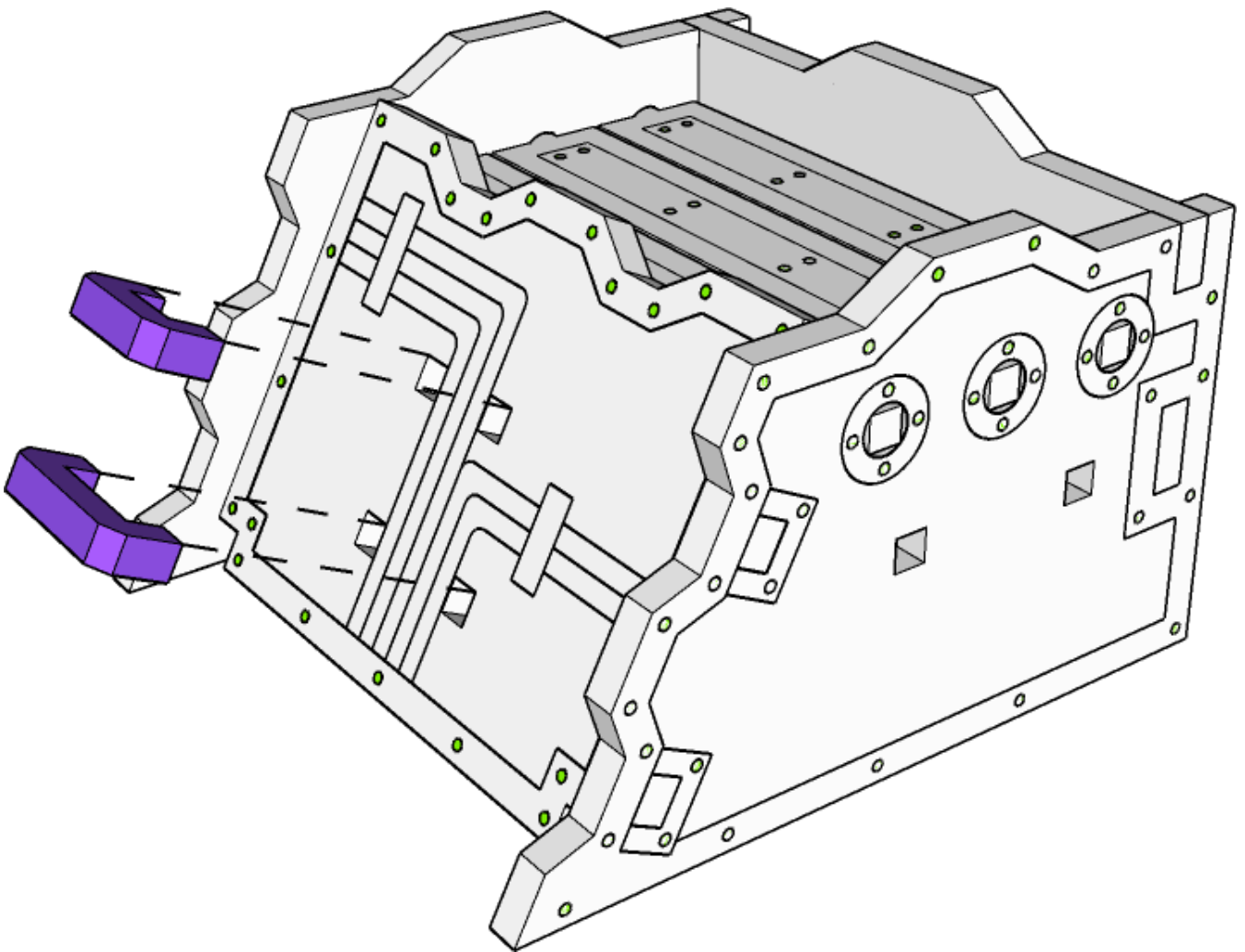
**x2**

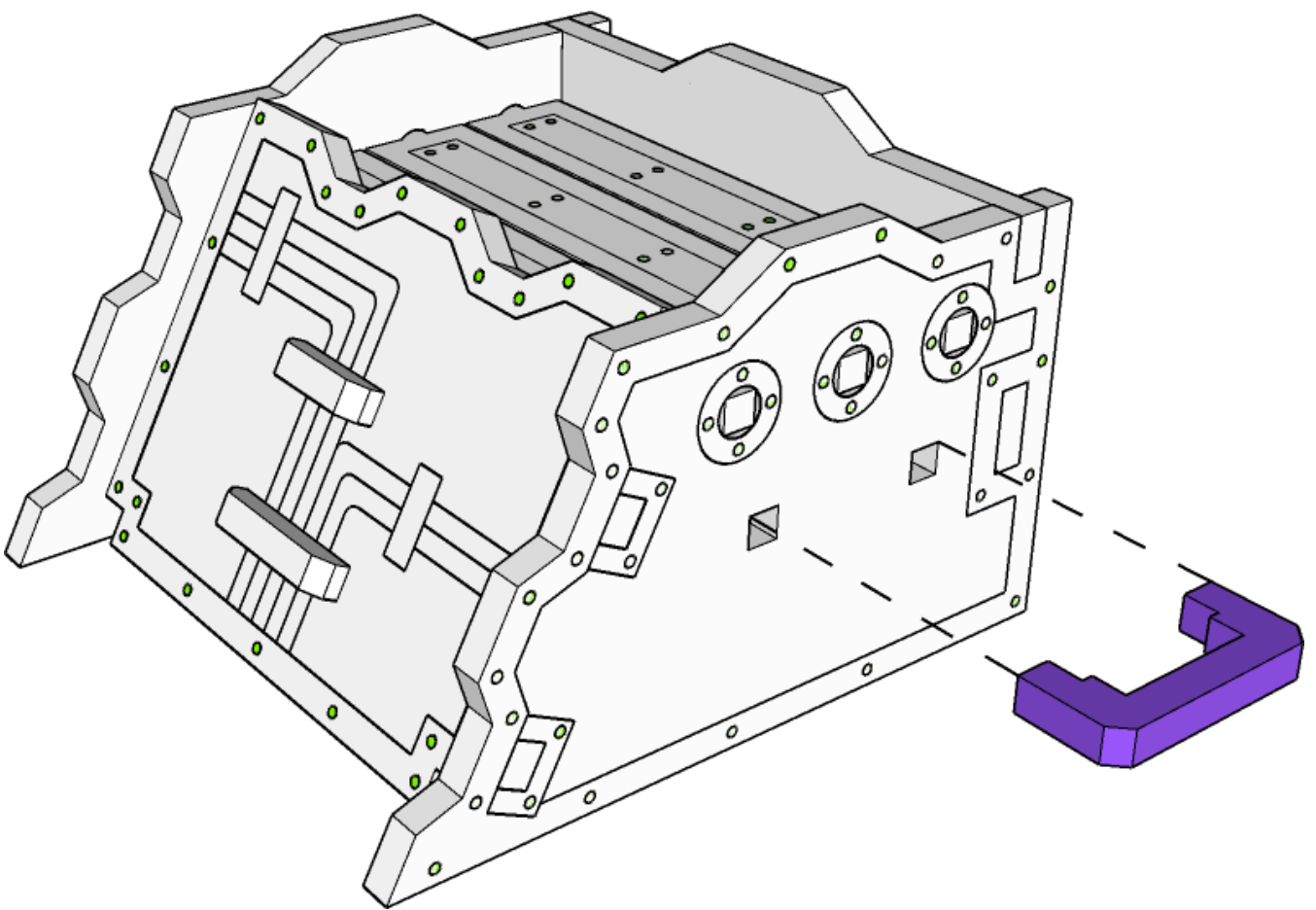


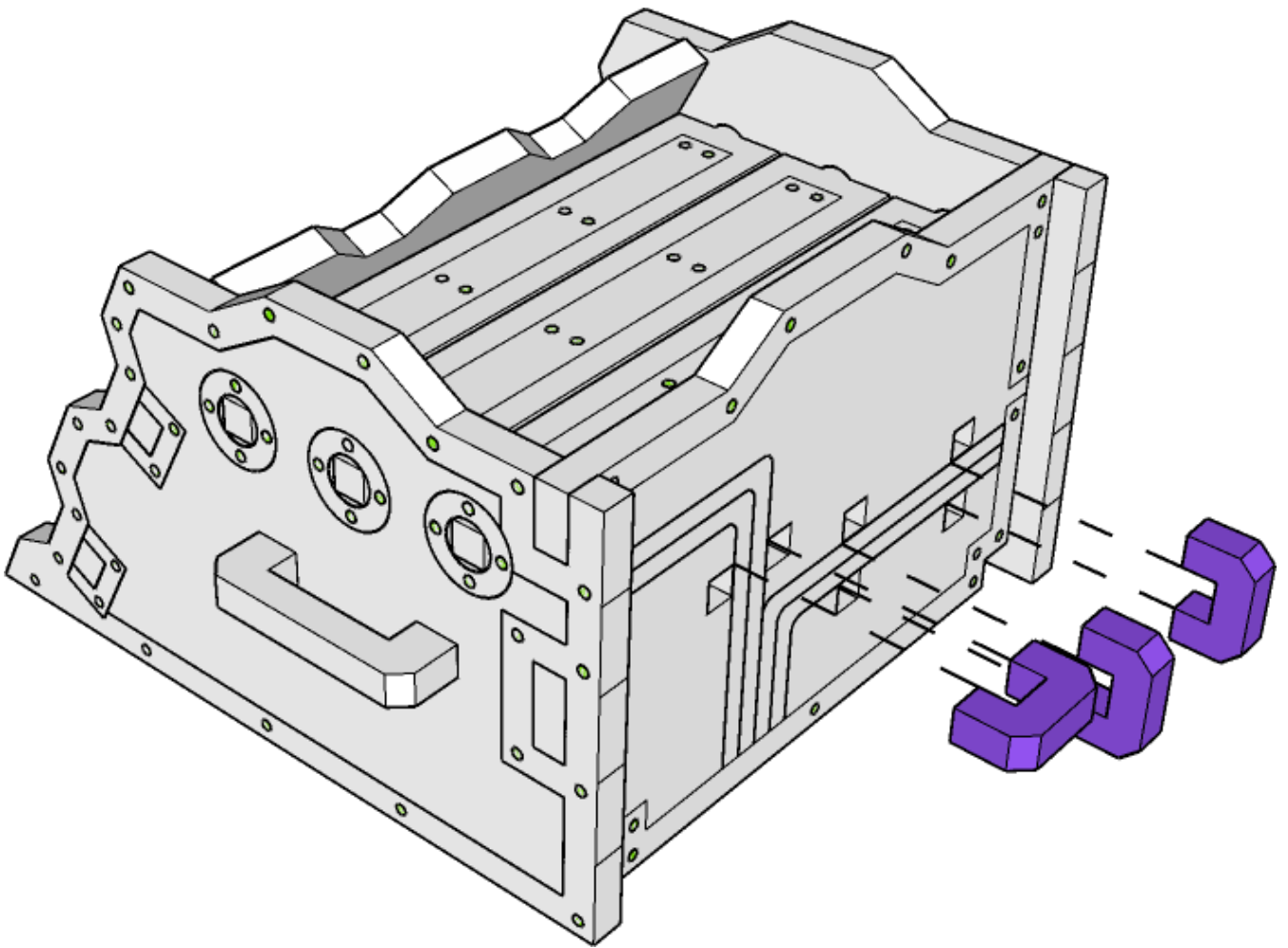


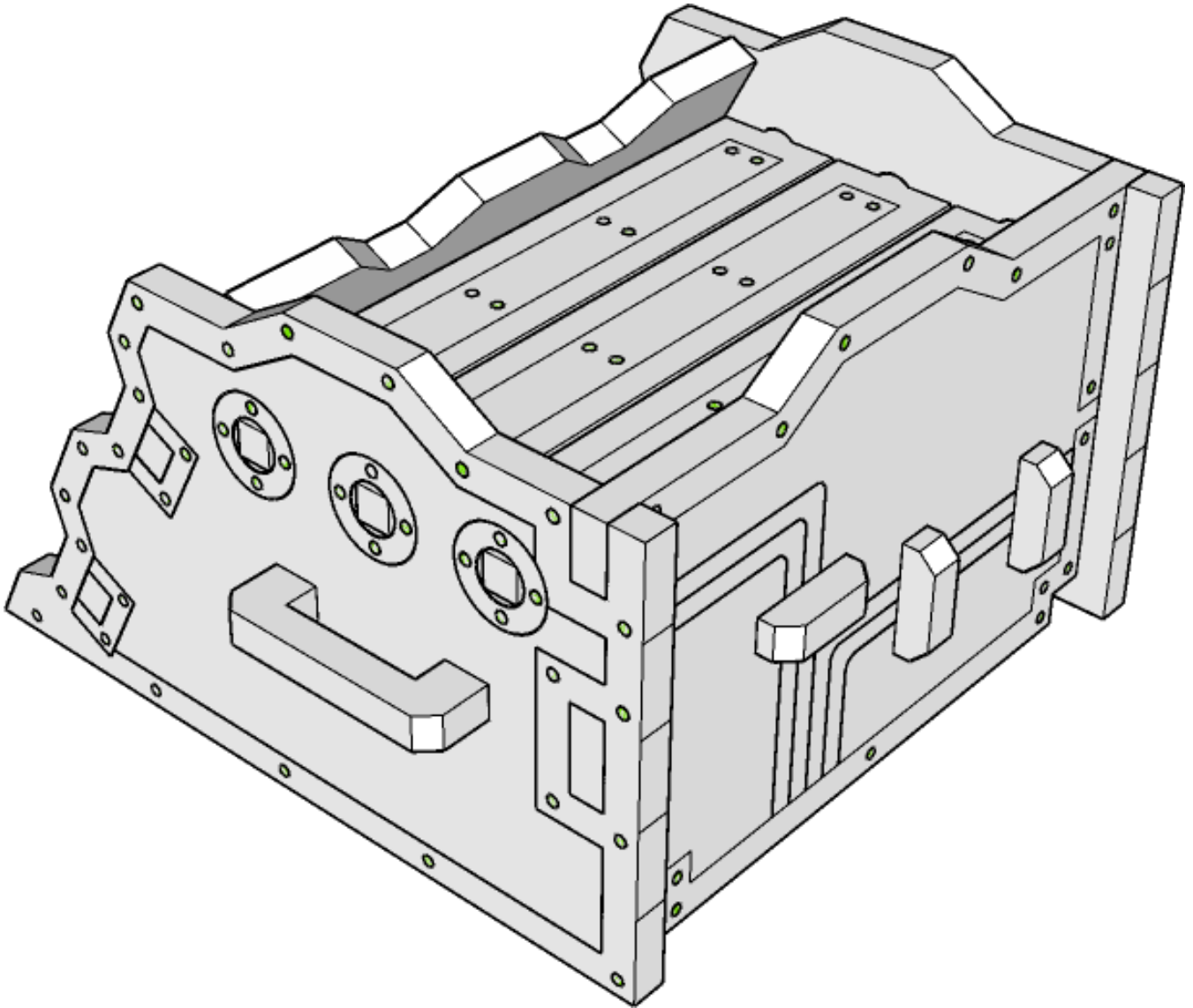








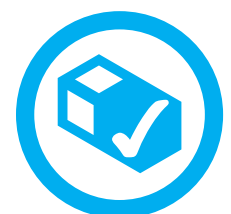
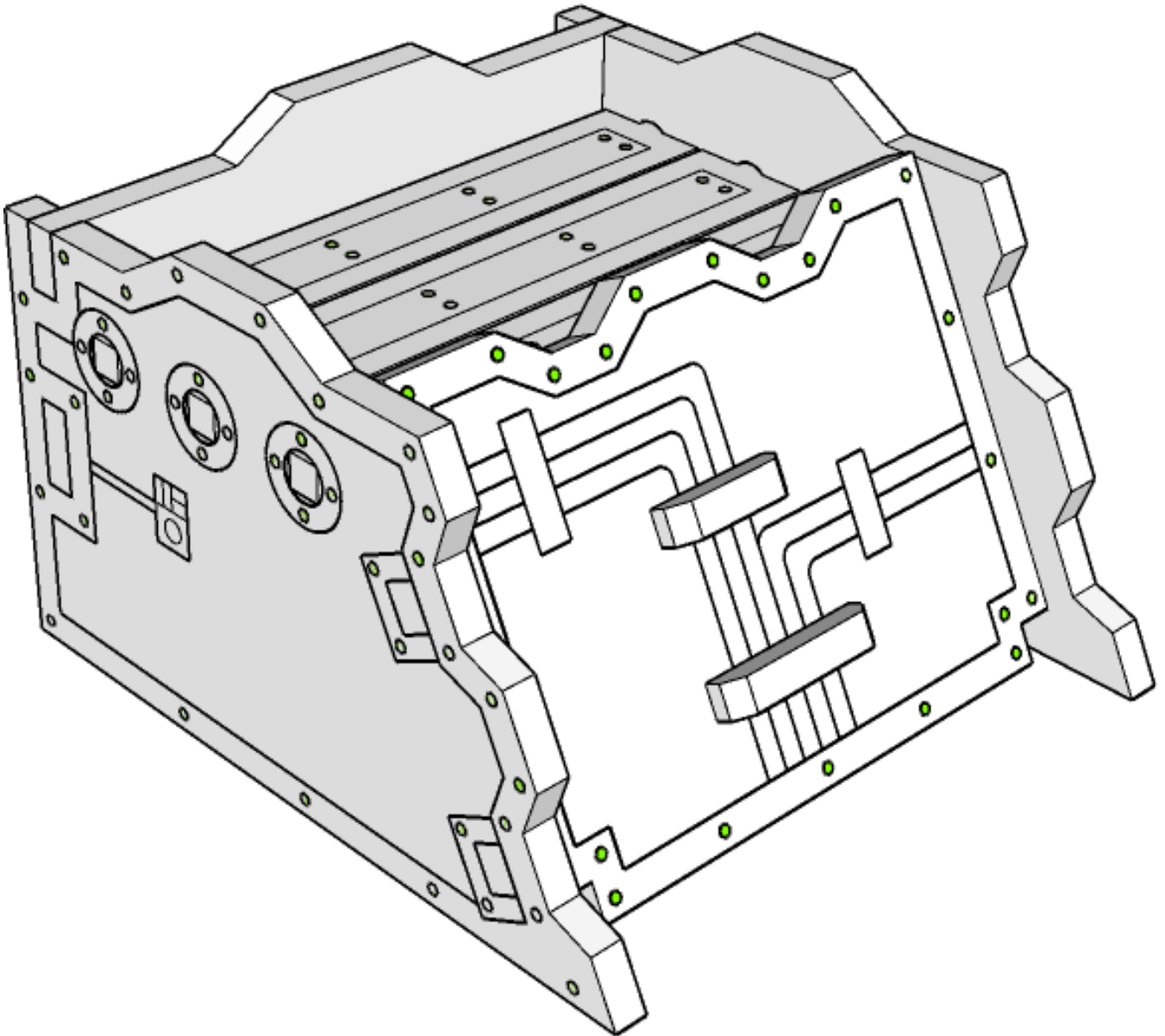






**TABLETOP  
SCENICS**

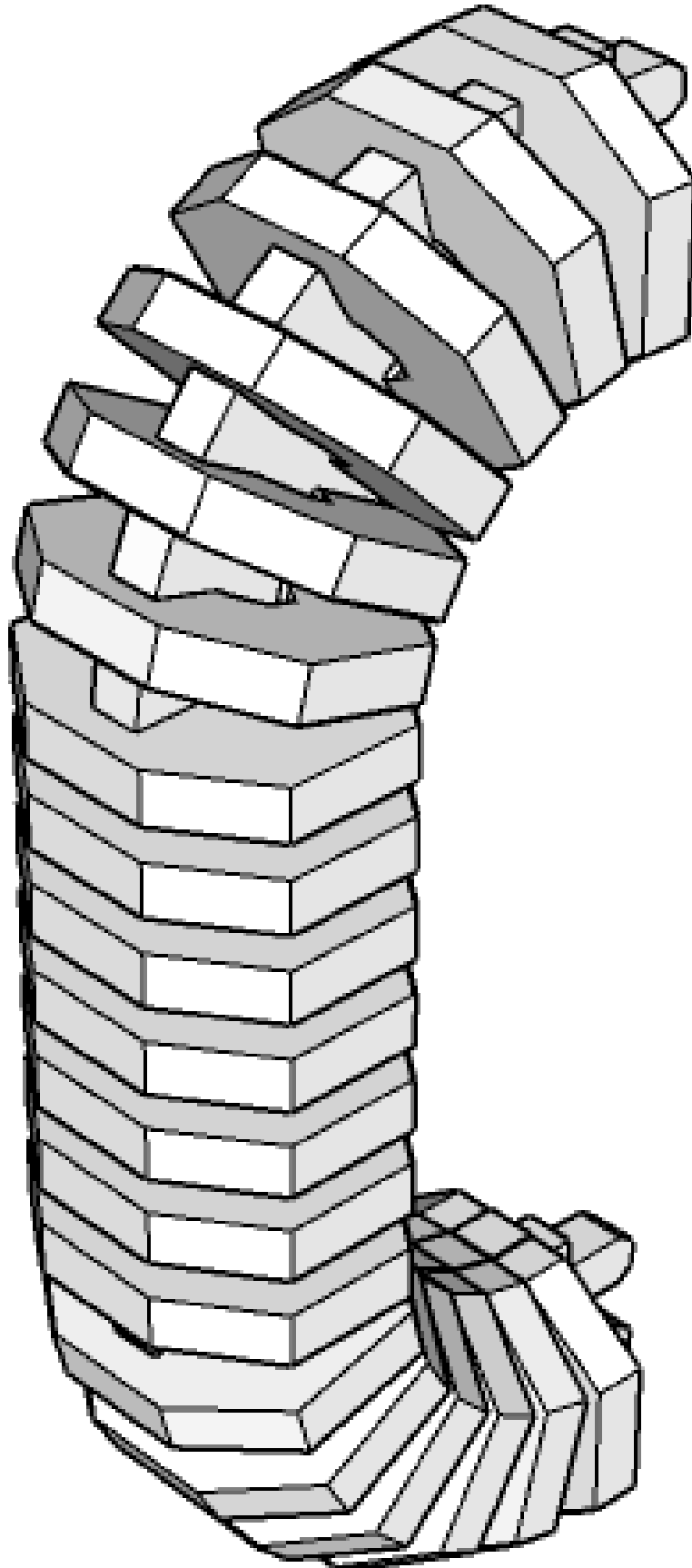
**TTSCW-SFU-106  
Prefab Chemical Lab**

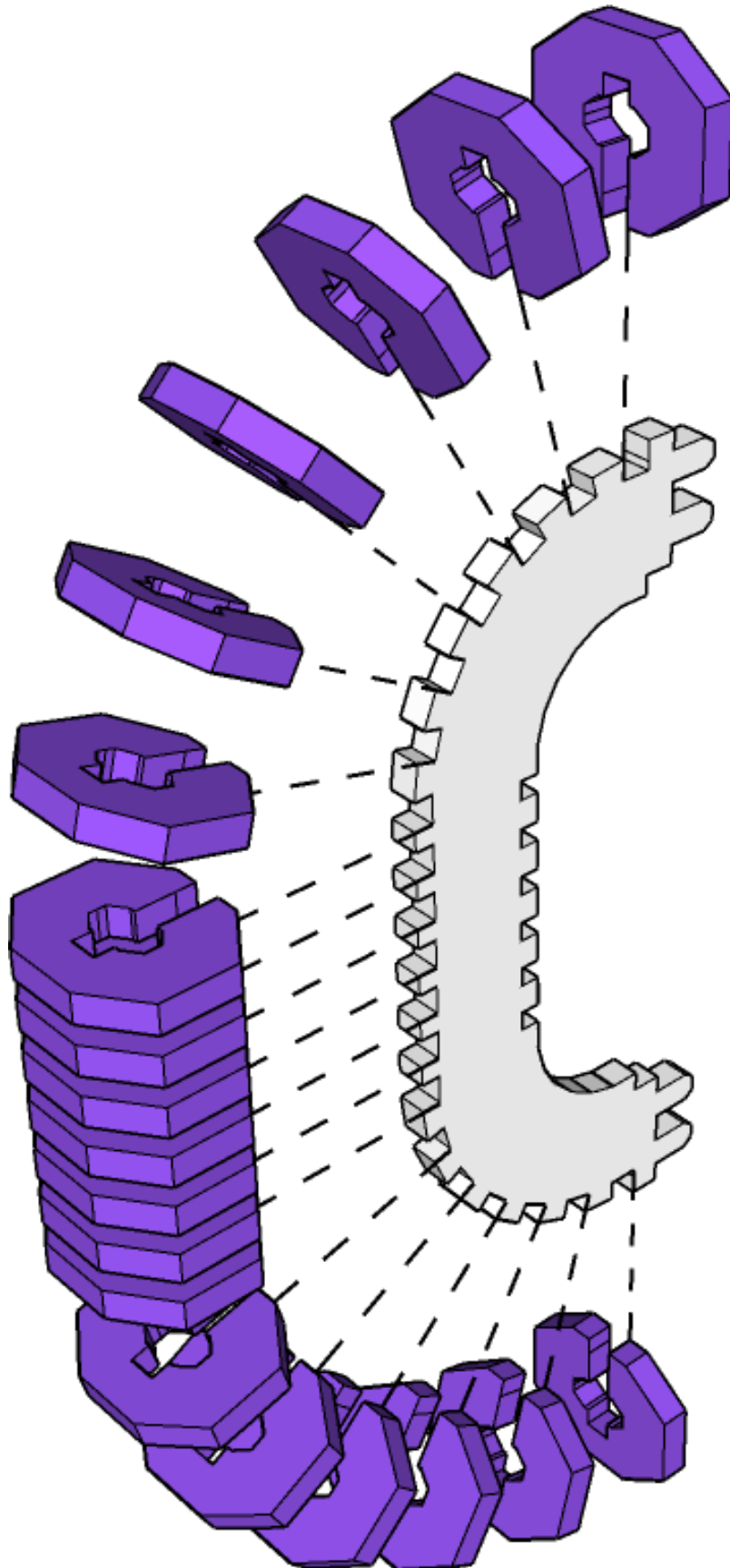




# TABLETOP SCENICS

**TTSCW-SFU-106**  
**Prefab Chemical Lab**

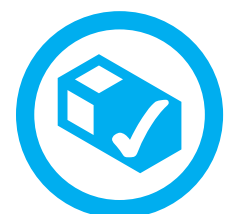
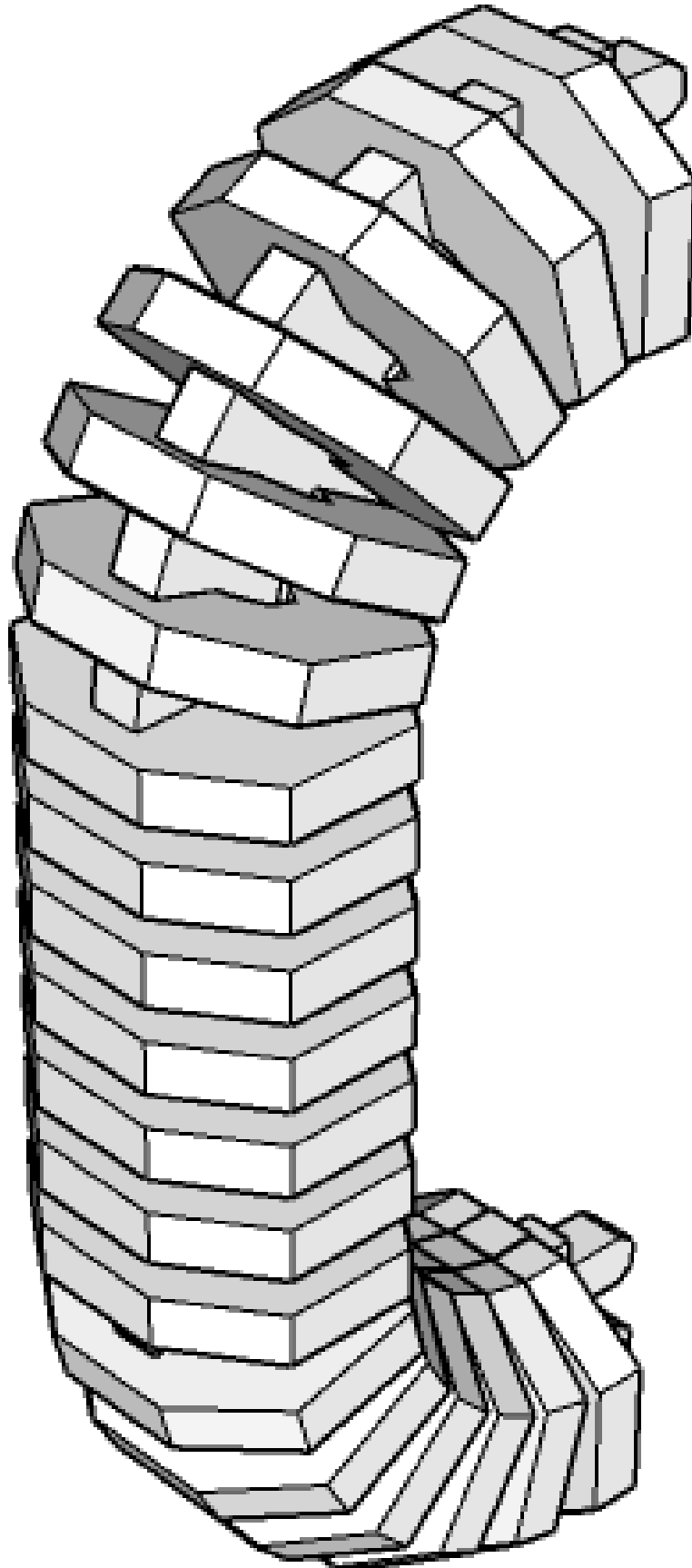






**TABLETOP  
SCENICS**

**TTSCW-SFU-106  
Prefab Chemical Lab**



**100**

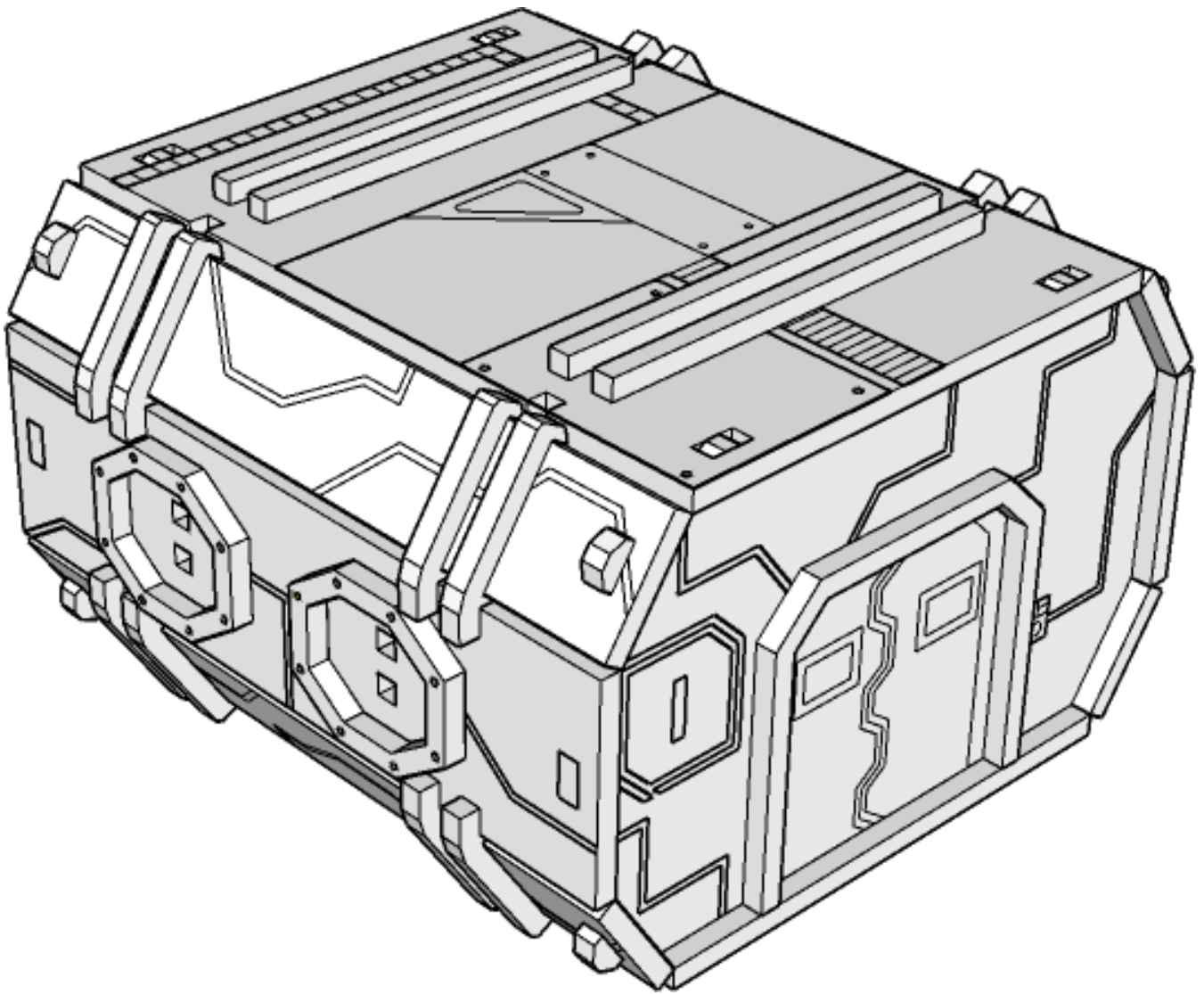
 **TTCOMBAT**

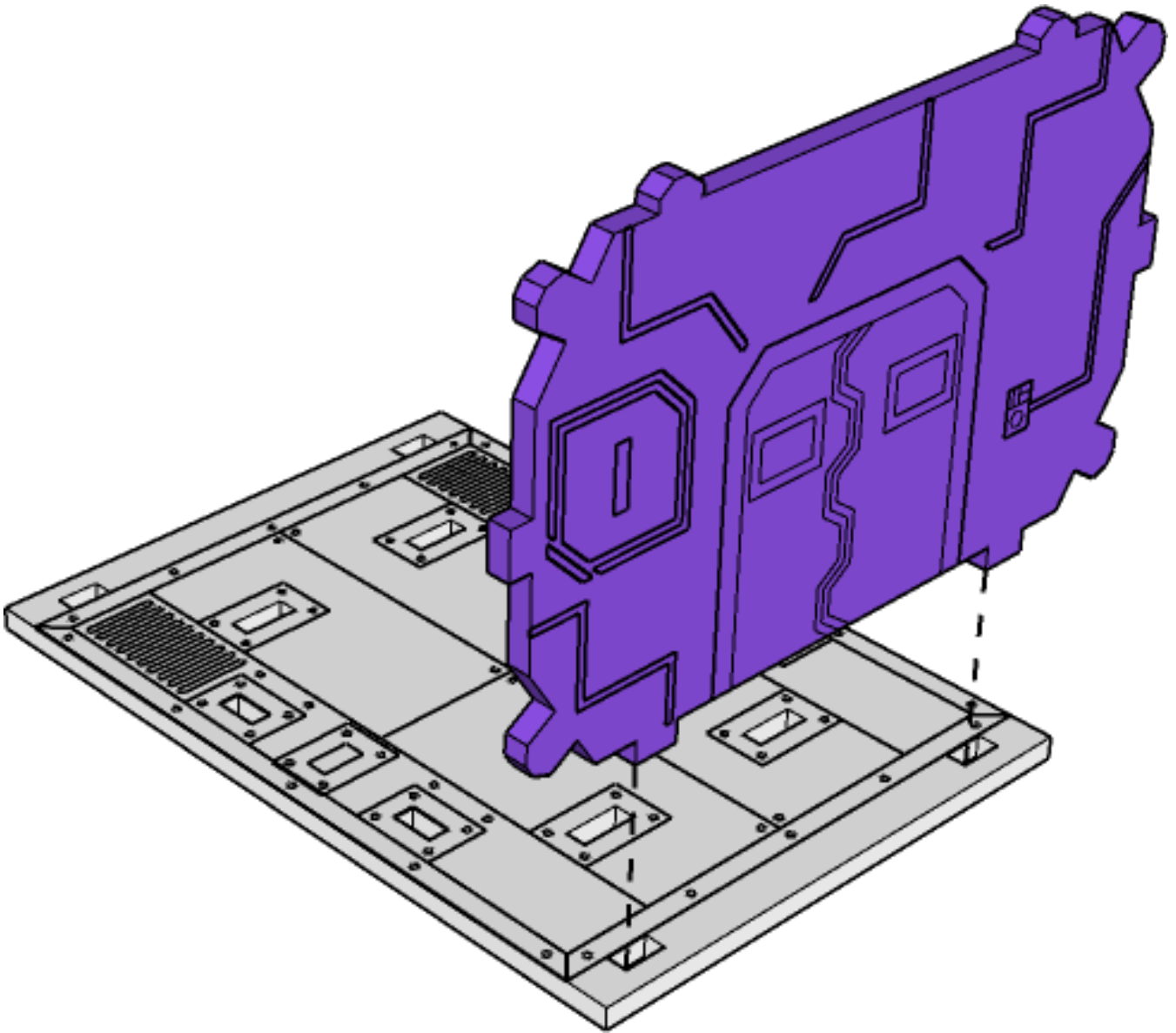




**TABLETOP  
SCENICS**

**TTSCW-SFU-106  
Prefab Chemical Lab**

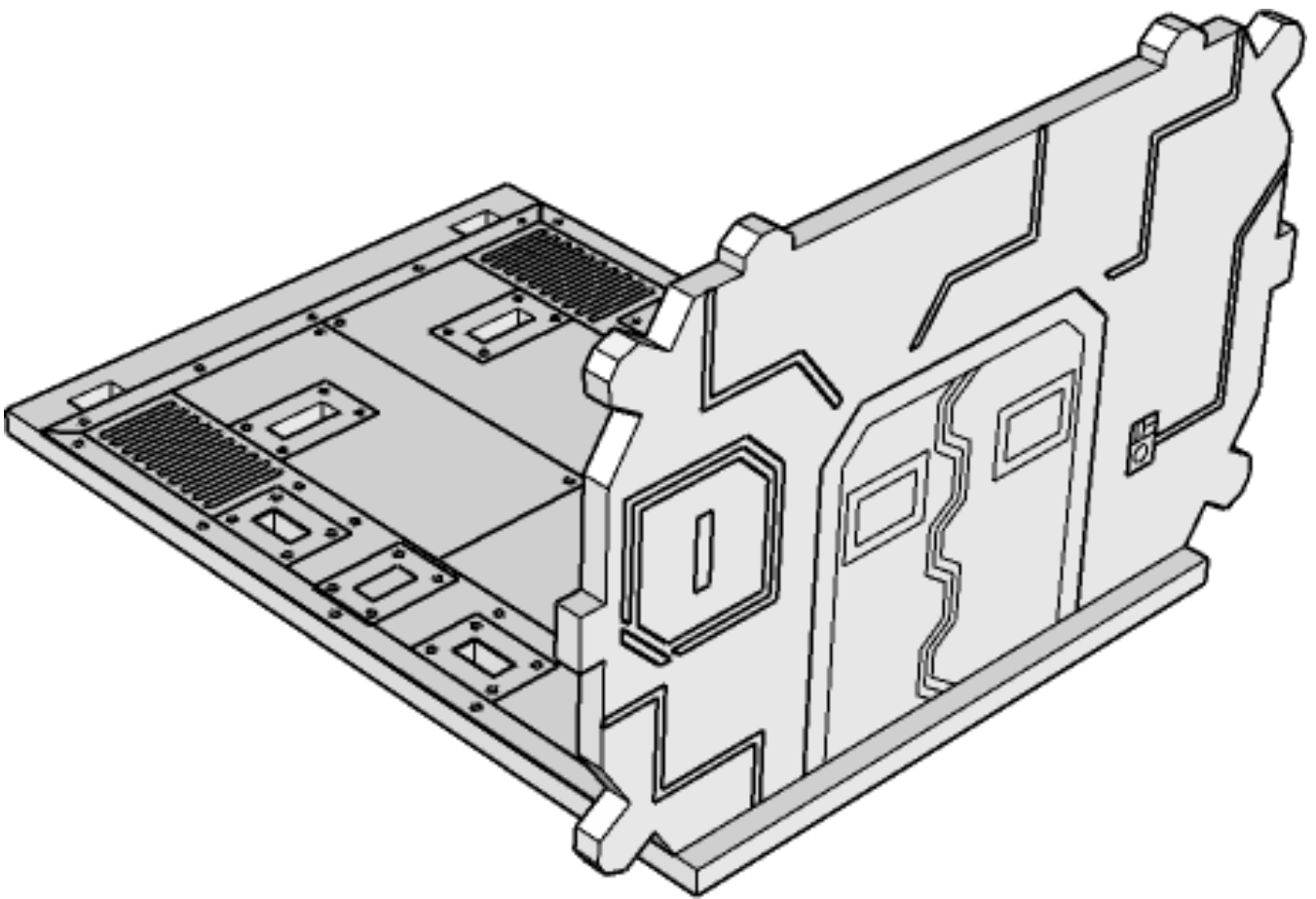






**TABLETOP  
SCENICS**

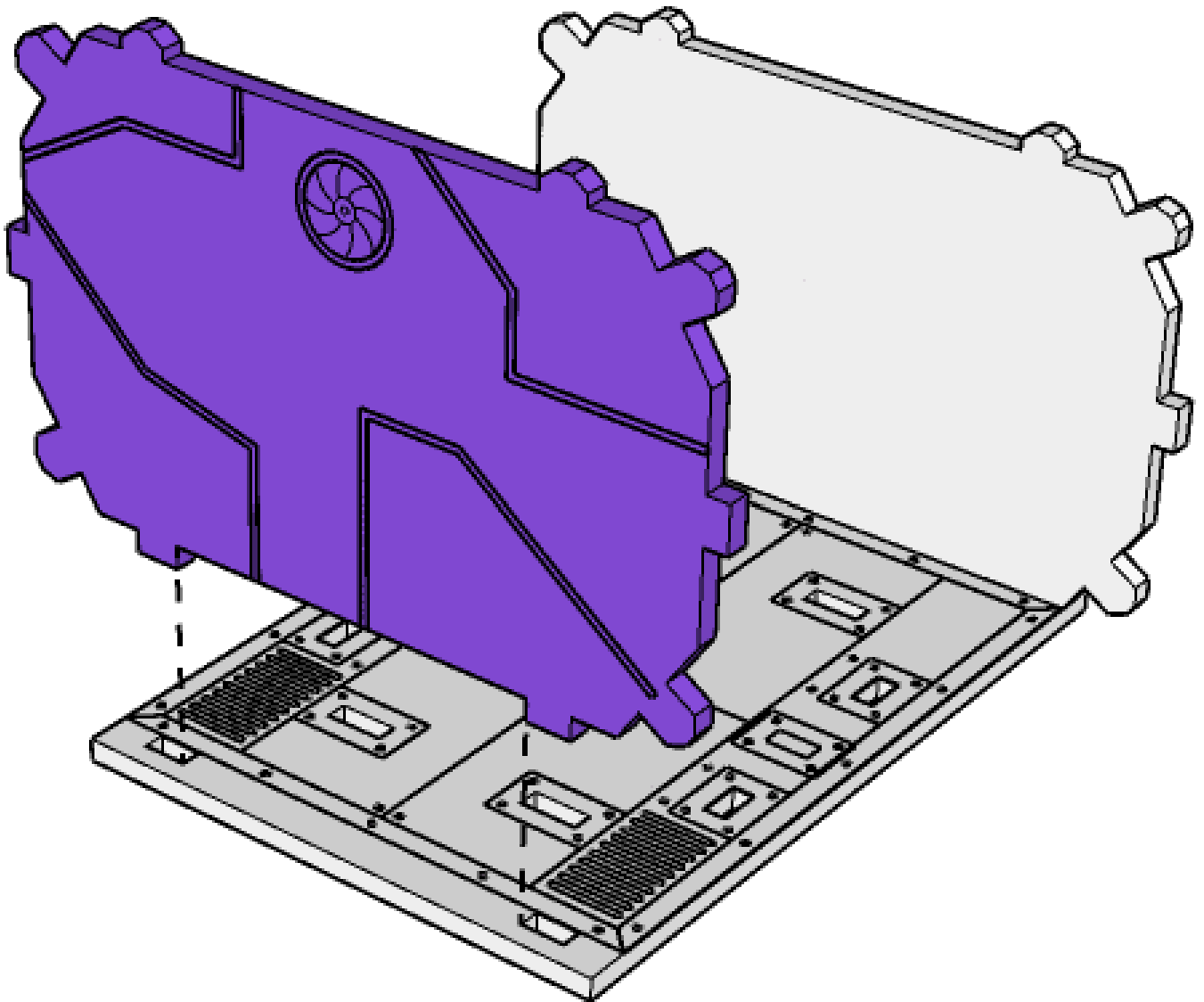
**TTSCW-SFU-106  
Prefab Chemical Lab**

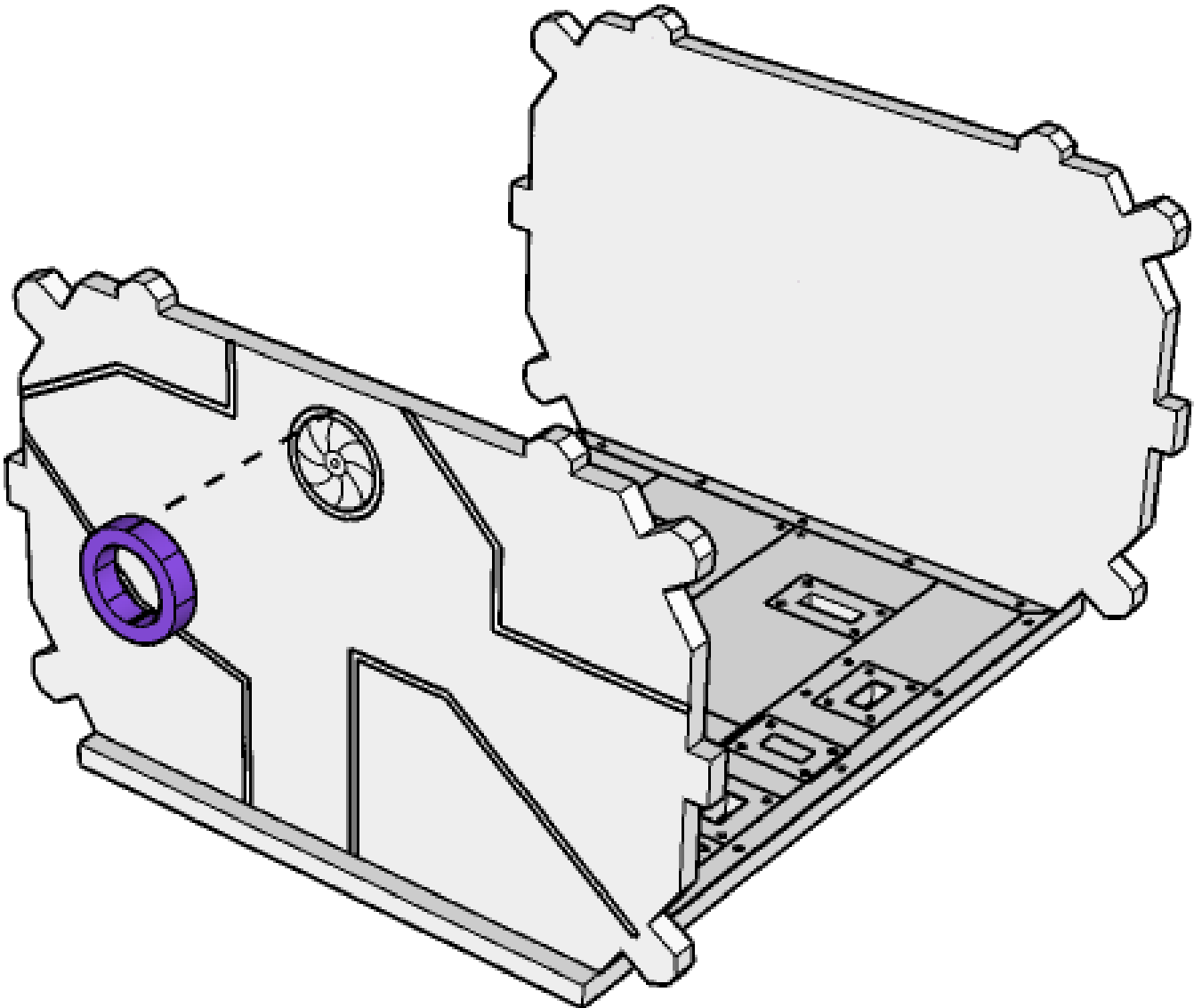




**TABLETOP  
SCENICS**

**TTSCW-SFU-106  
Prefab Chemical Lab**

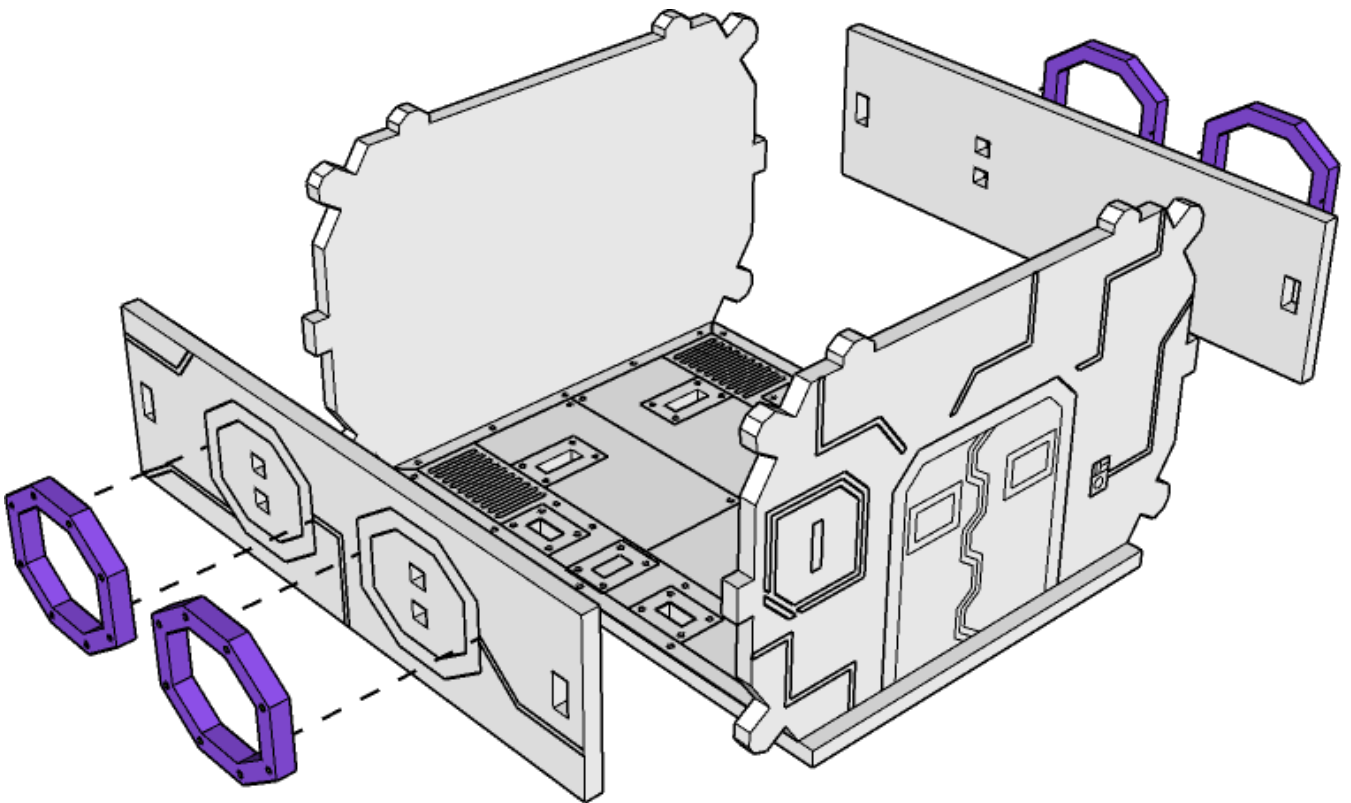






**TABLETOP  
SCENICS**

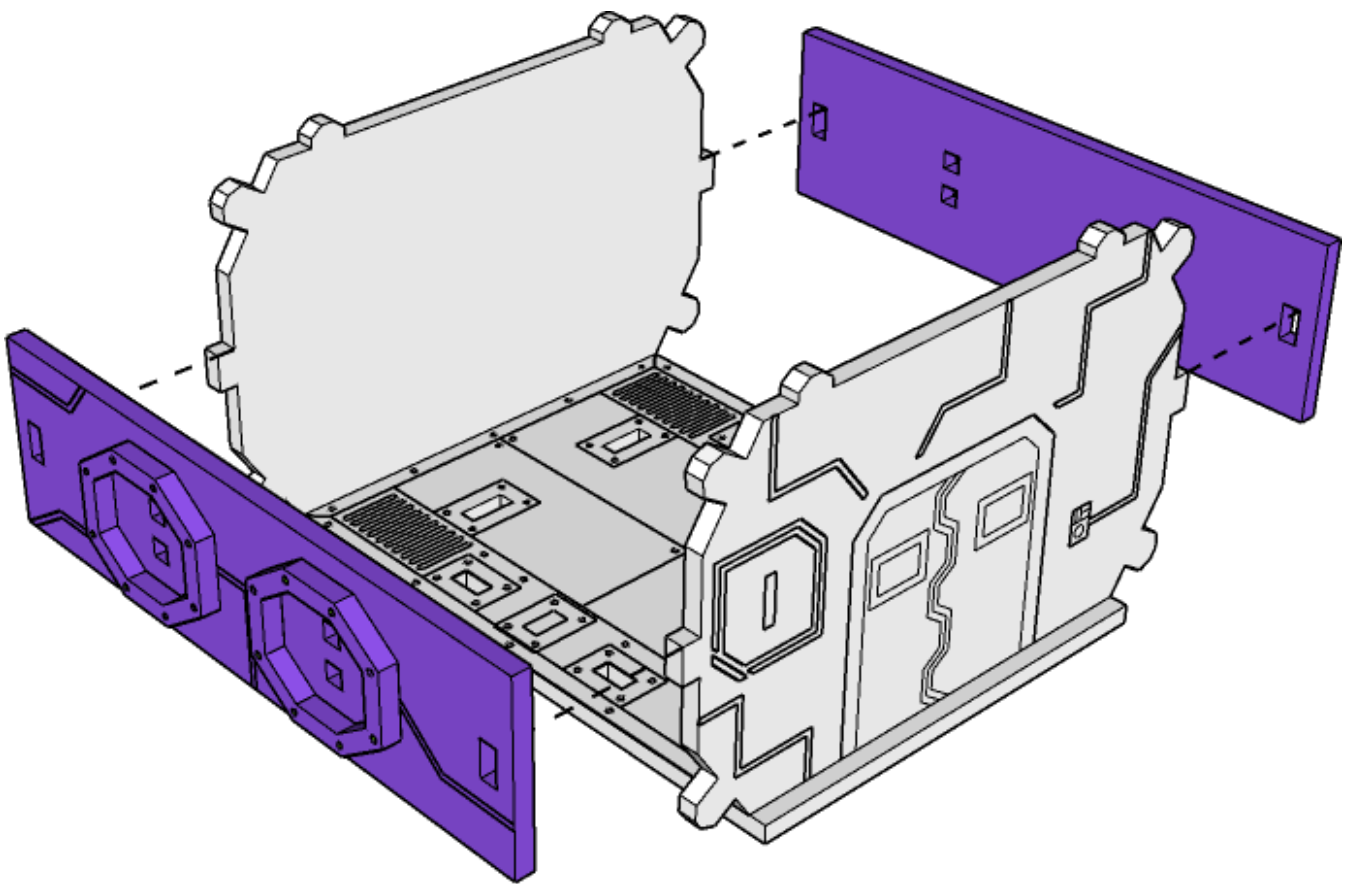
**TTSCW-SFU-106  
Prefab Chemical Lab**

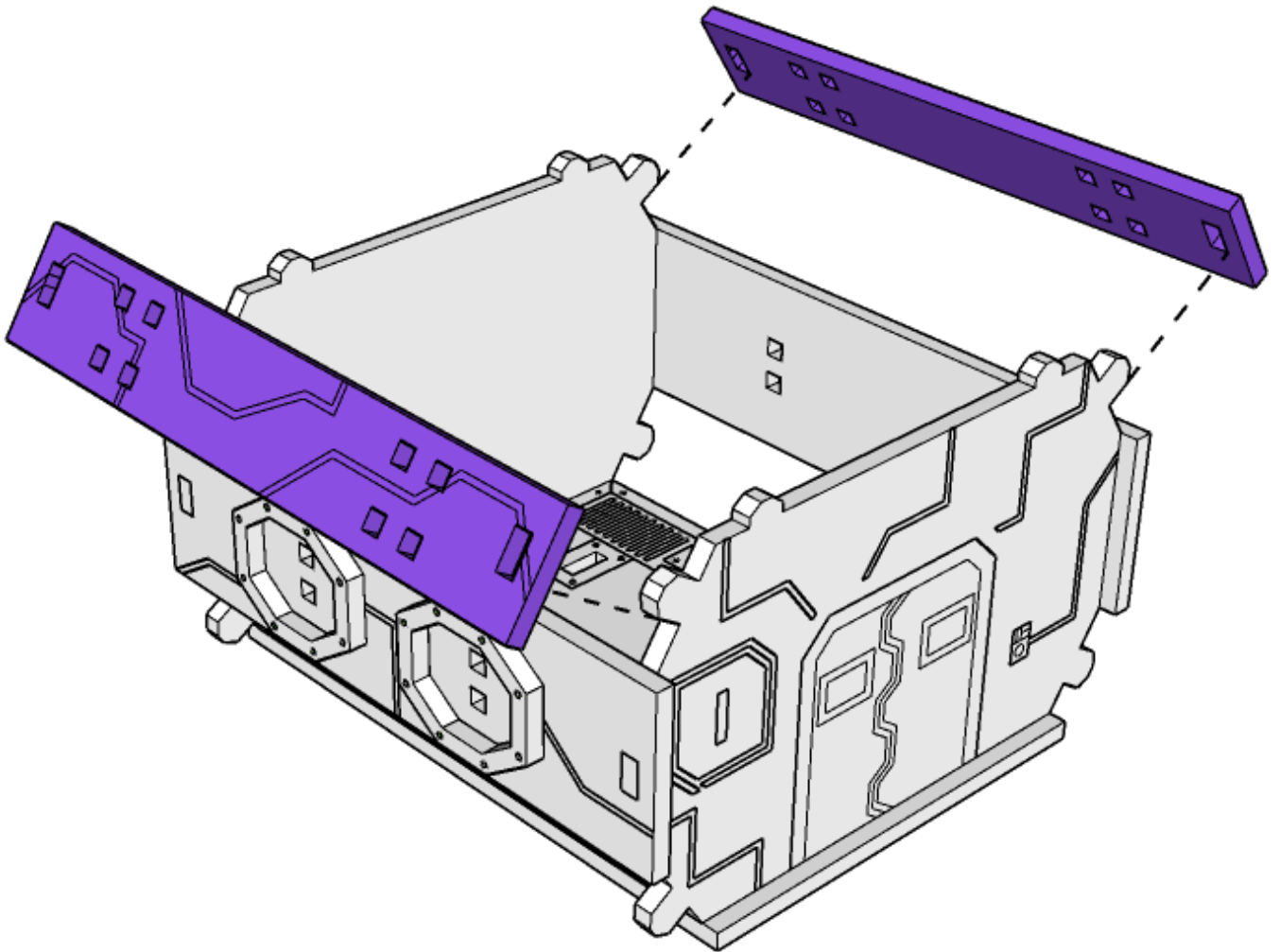


**106**

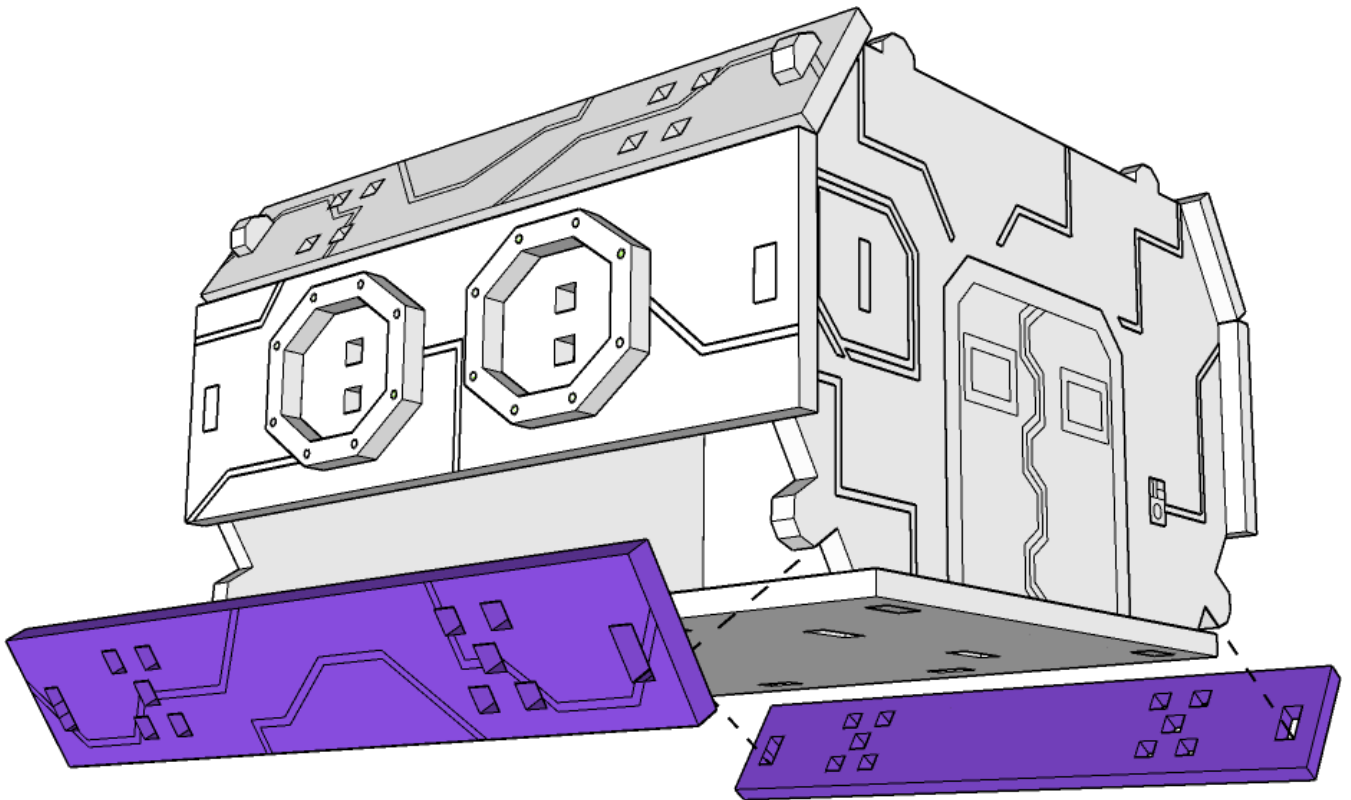


 **TTCOMBAT**





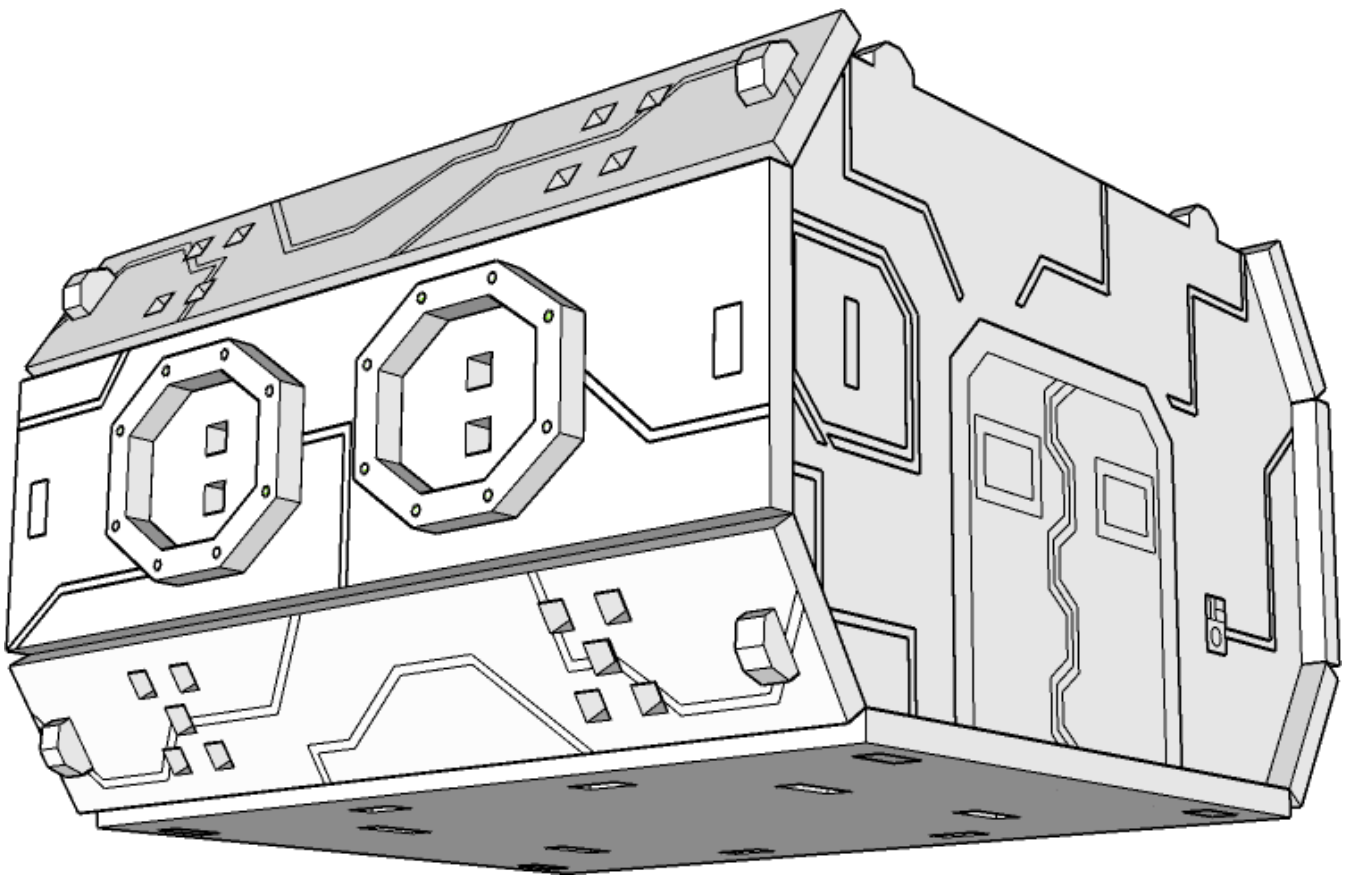


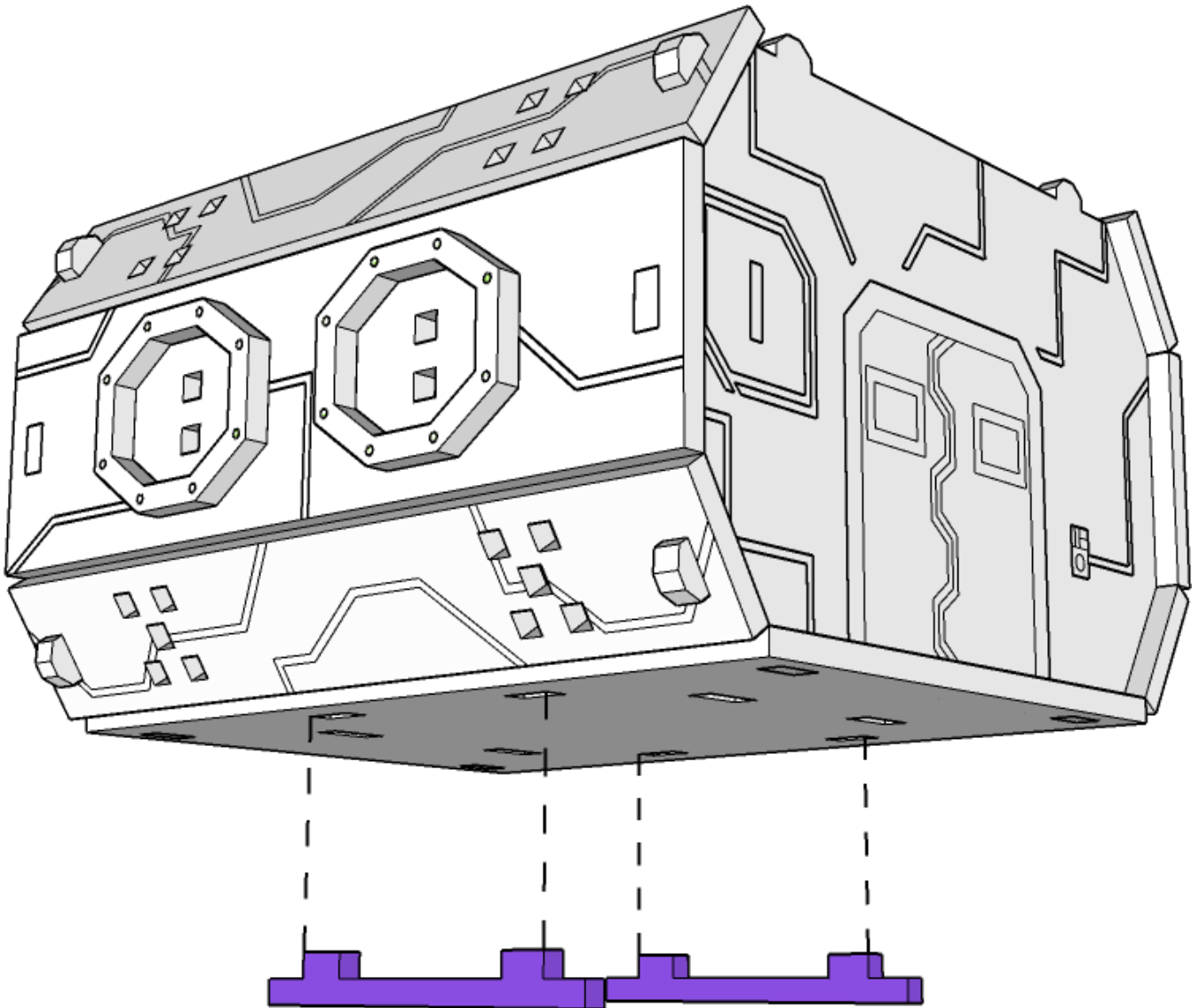


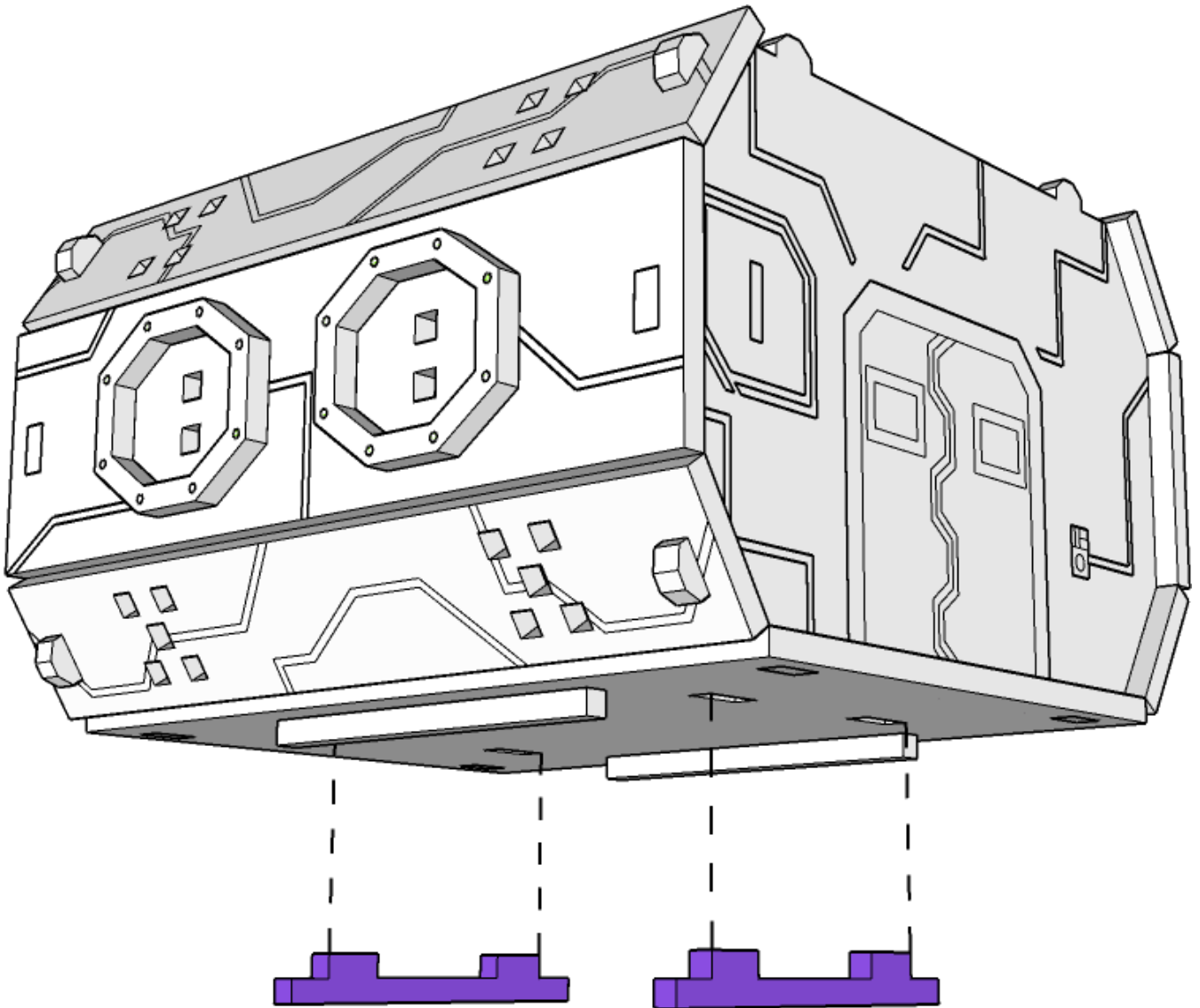


**TABLETOP  
SCENICS**

**TTSCW-SFU-106  
Prefab Chemical Lab**



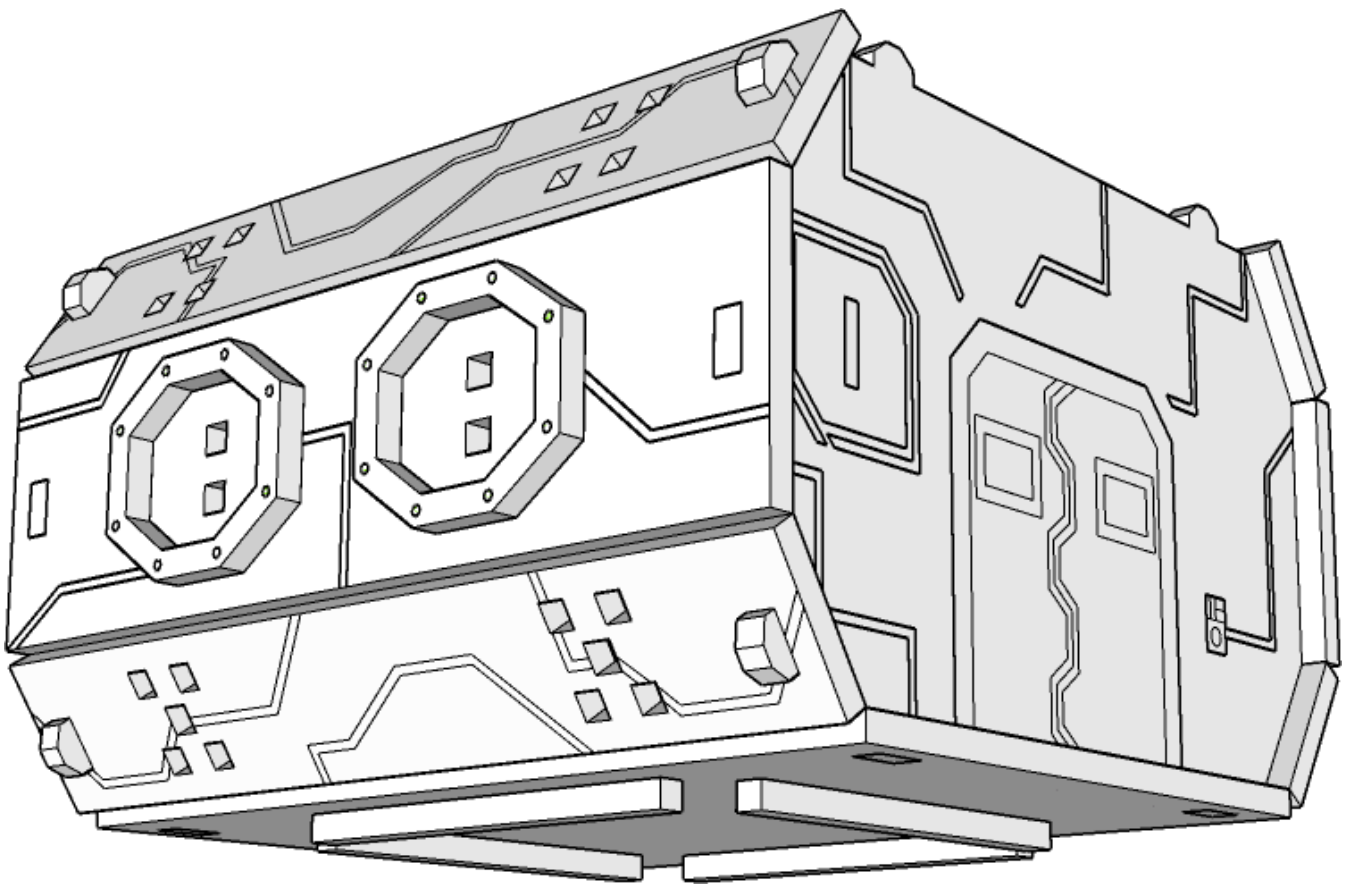


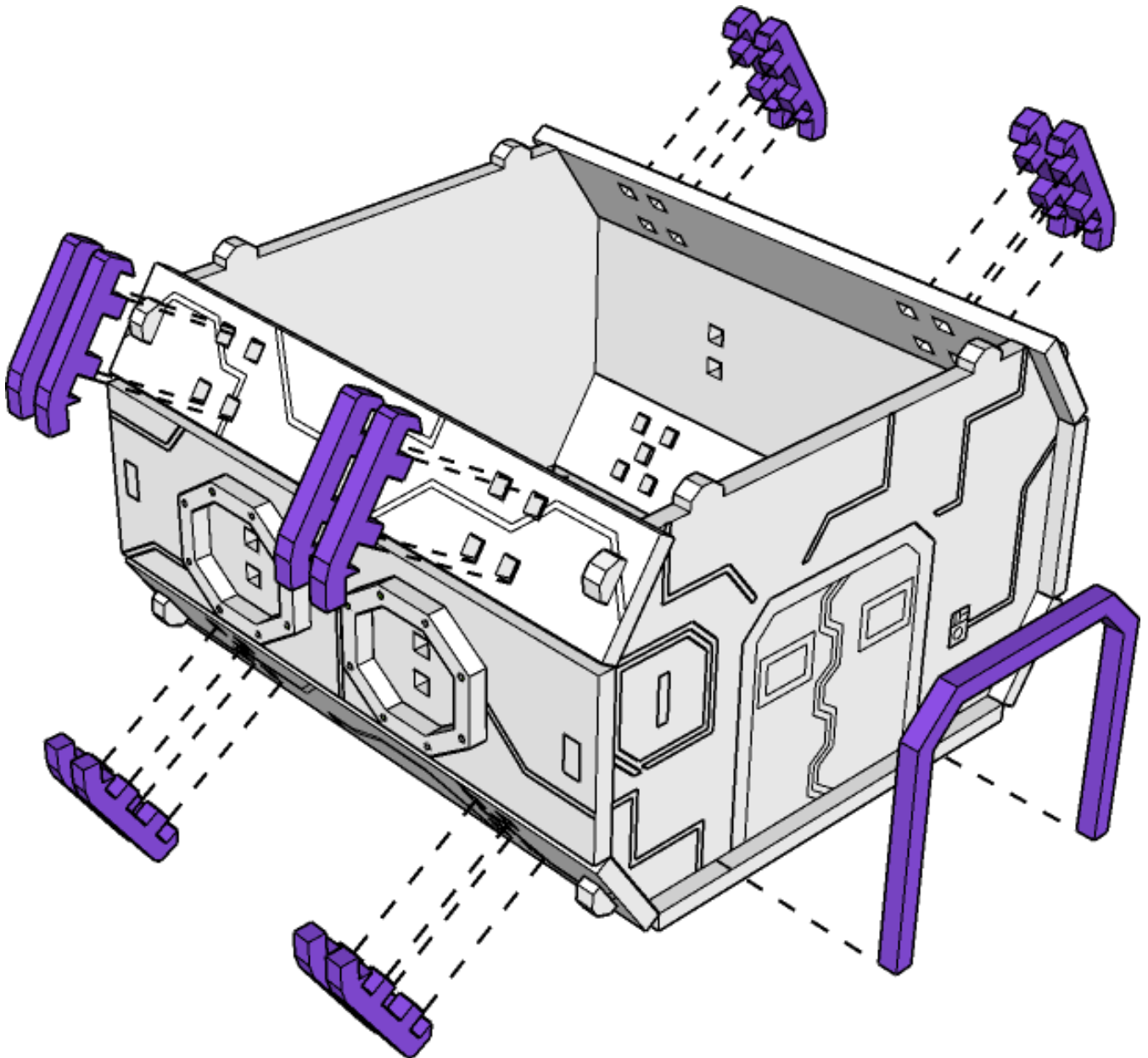




**TABLETOP  
SCENICS**

**TTSCW-SFU-106  
Prefab Chemical Lab**

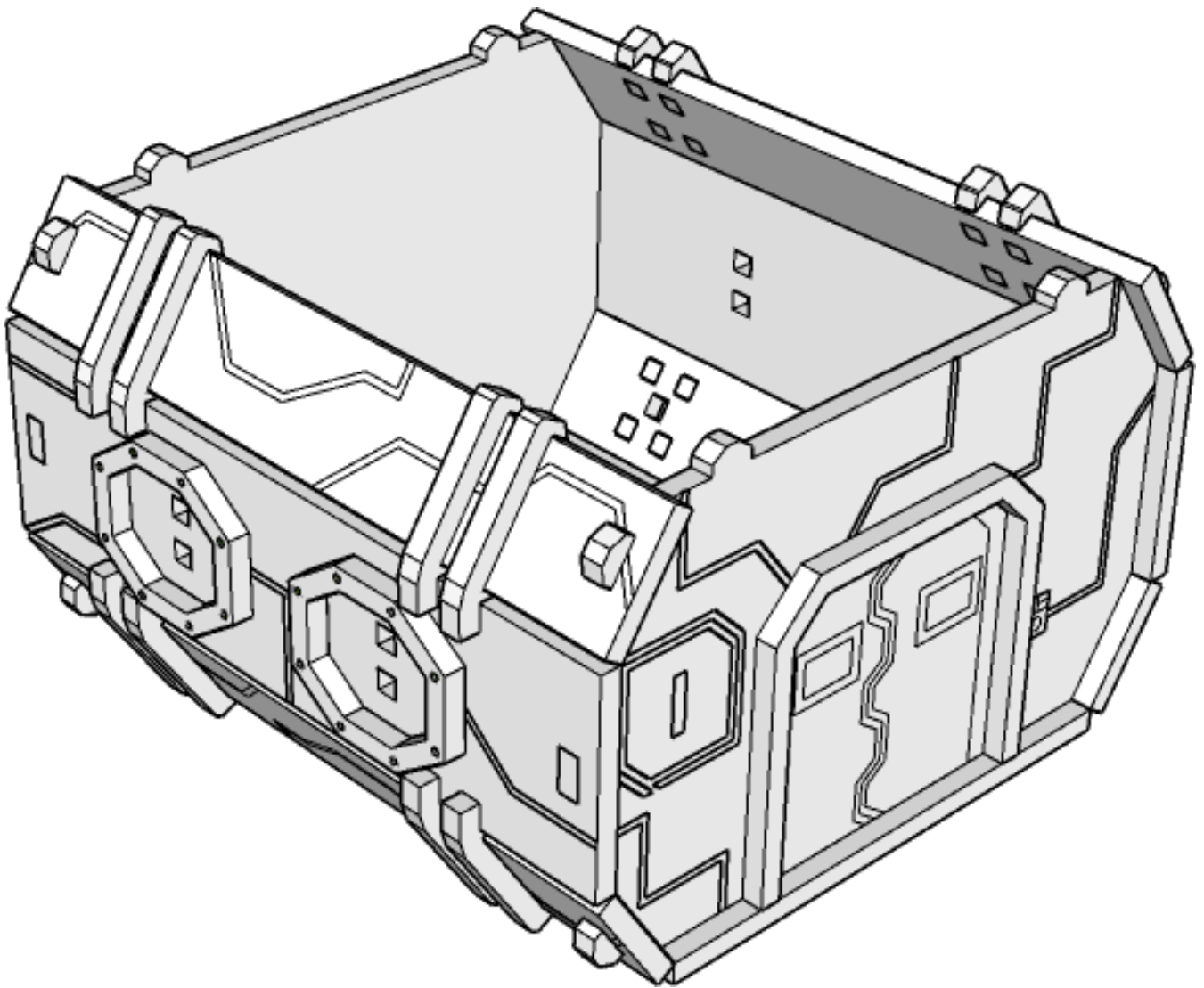




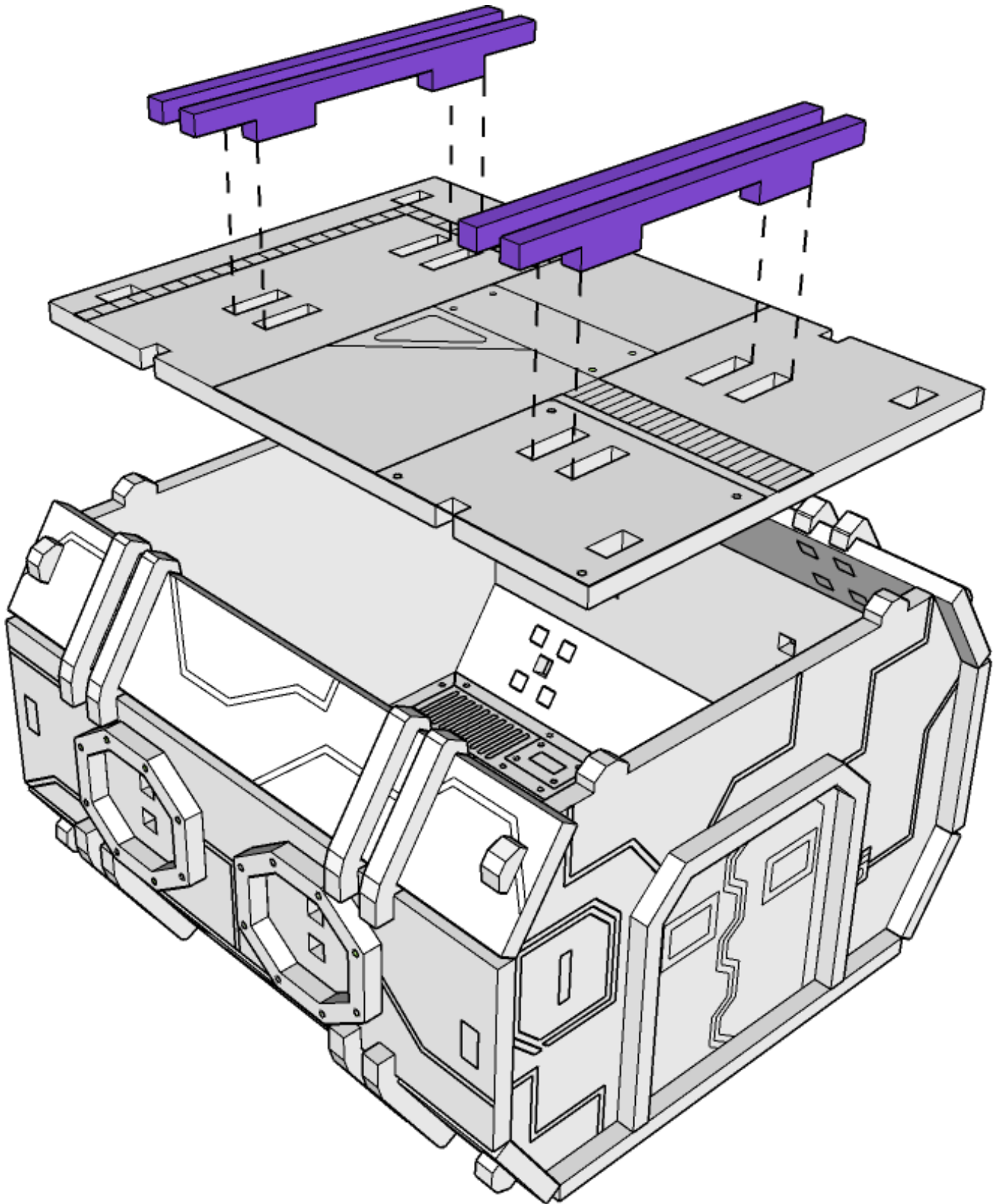


**TABLETOP  
SCENICS**

**TTSCW-SFU-106  
Prefab Chemical Lab**





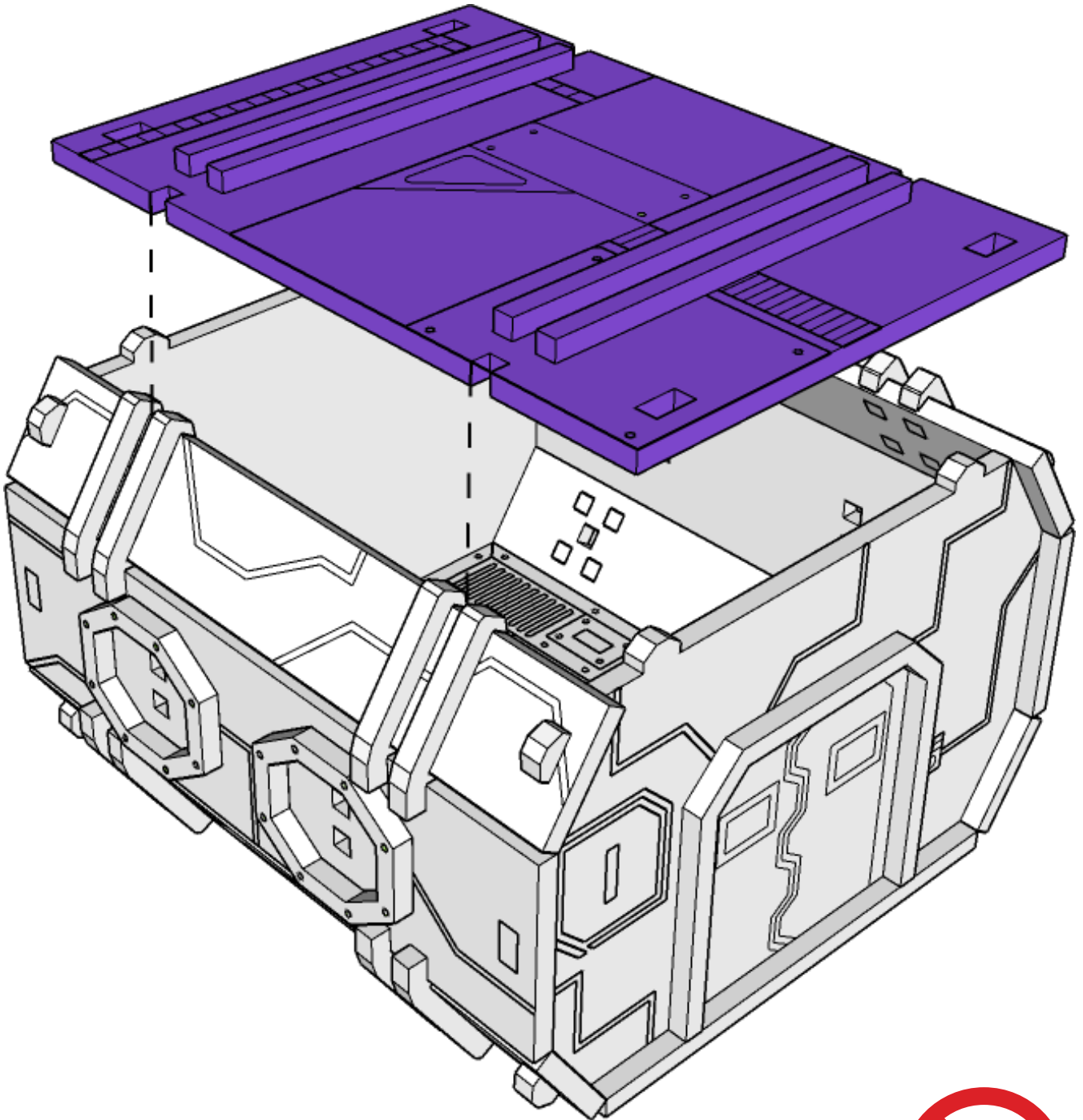






**TABLETOP  
SCENICS**

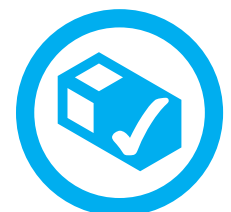
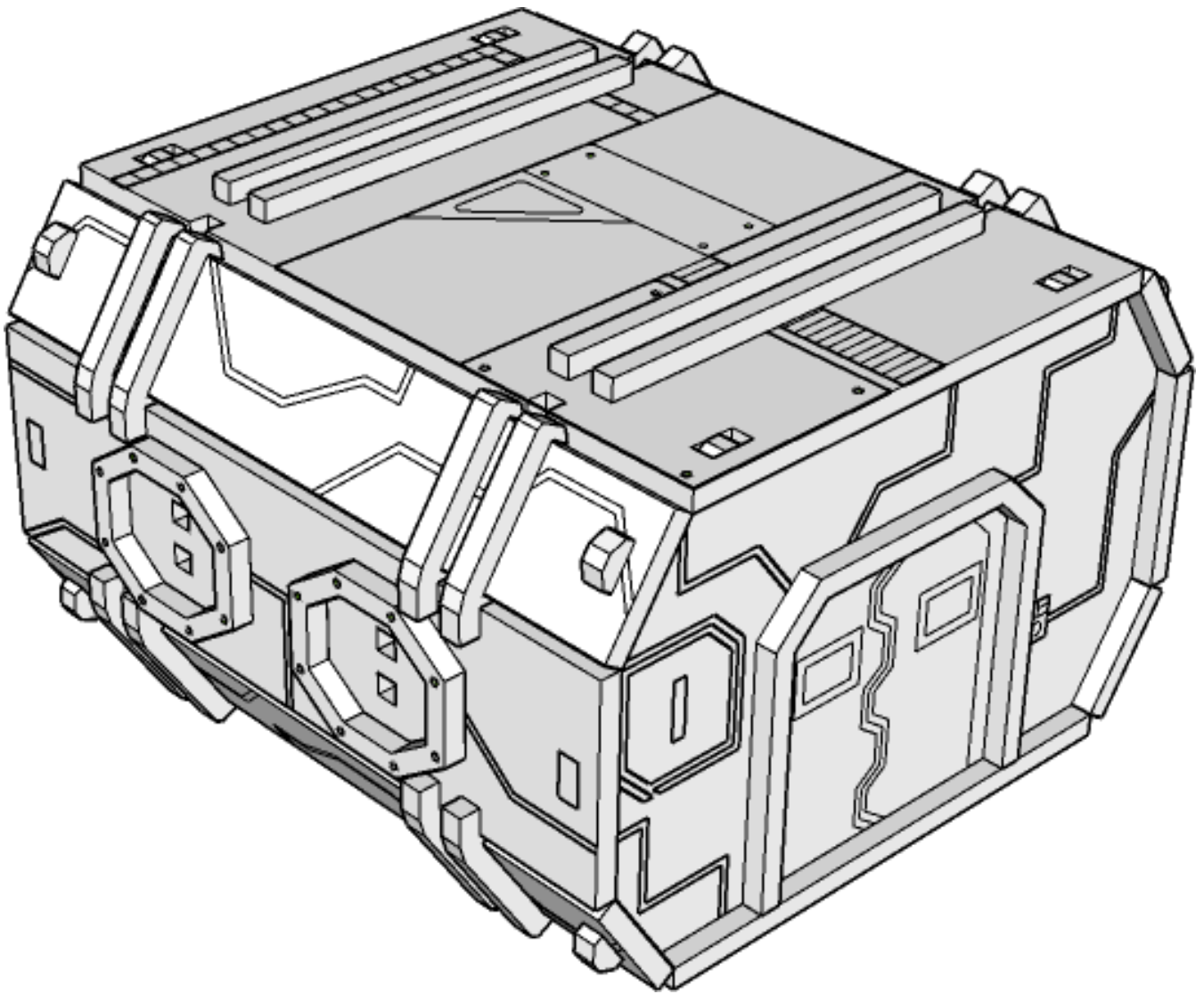
**TTSCW-SFU-106  
Prefab Chemical Lab**





**TABLETOP  
SCENICS**

**TTSCW-SFU-106  
Prefab Chemical Lab**



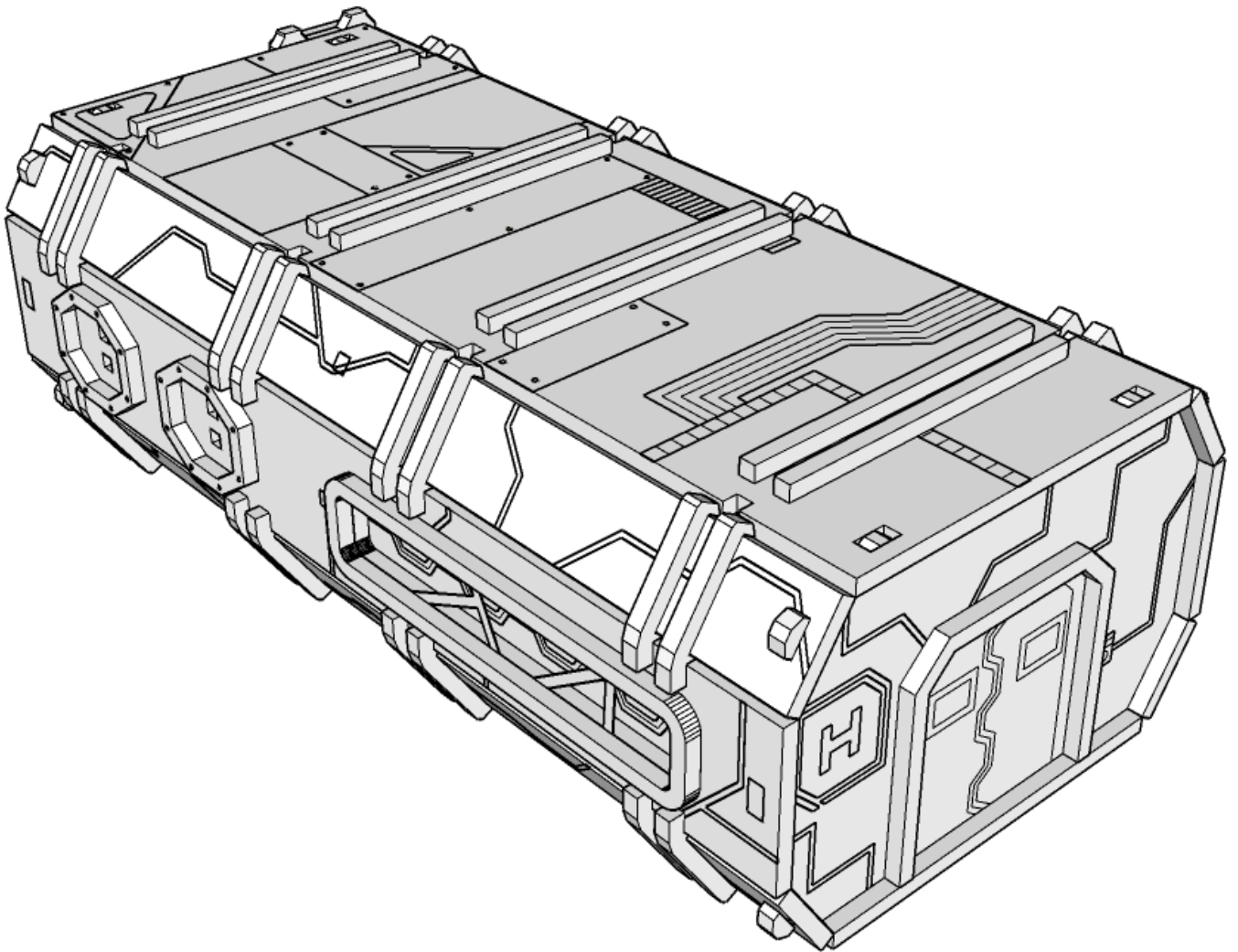
**118**

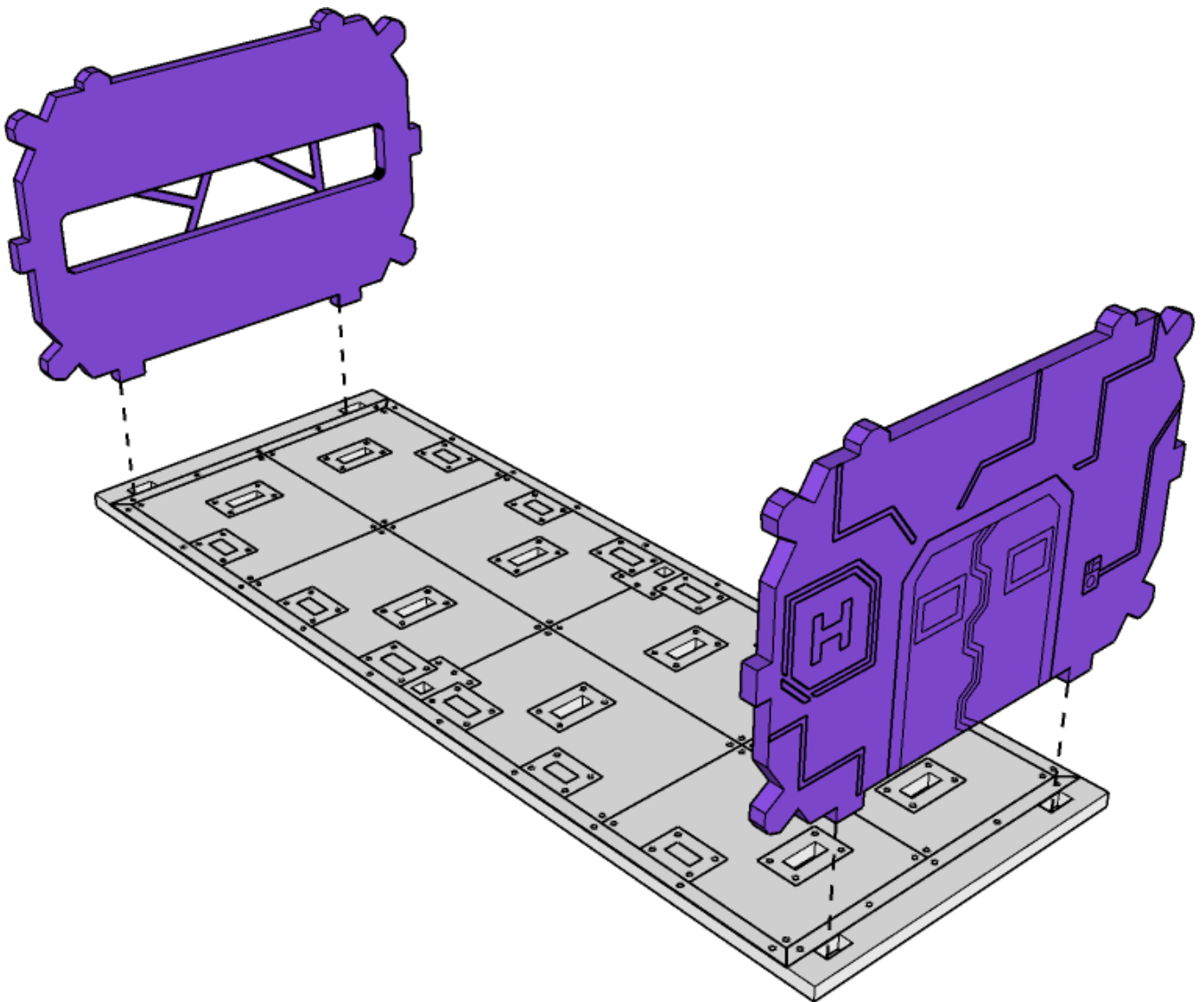
 **TTCOMBAT**



**TABLETOP  
SCENICS**

**TTSCW-SFU-106  
Prefab Chemical Lab**

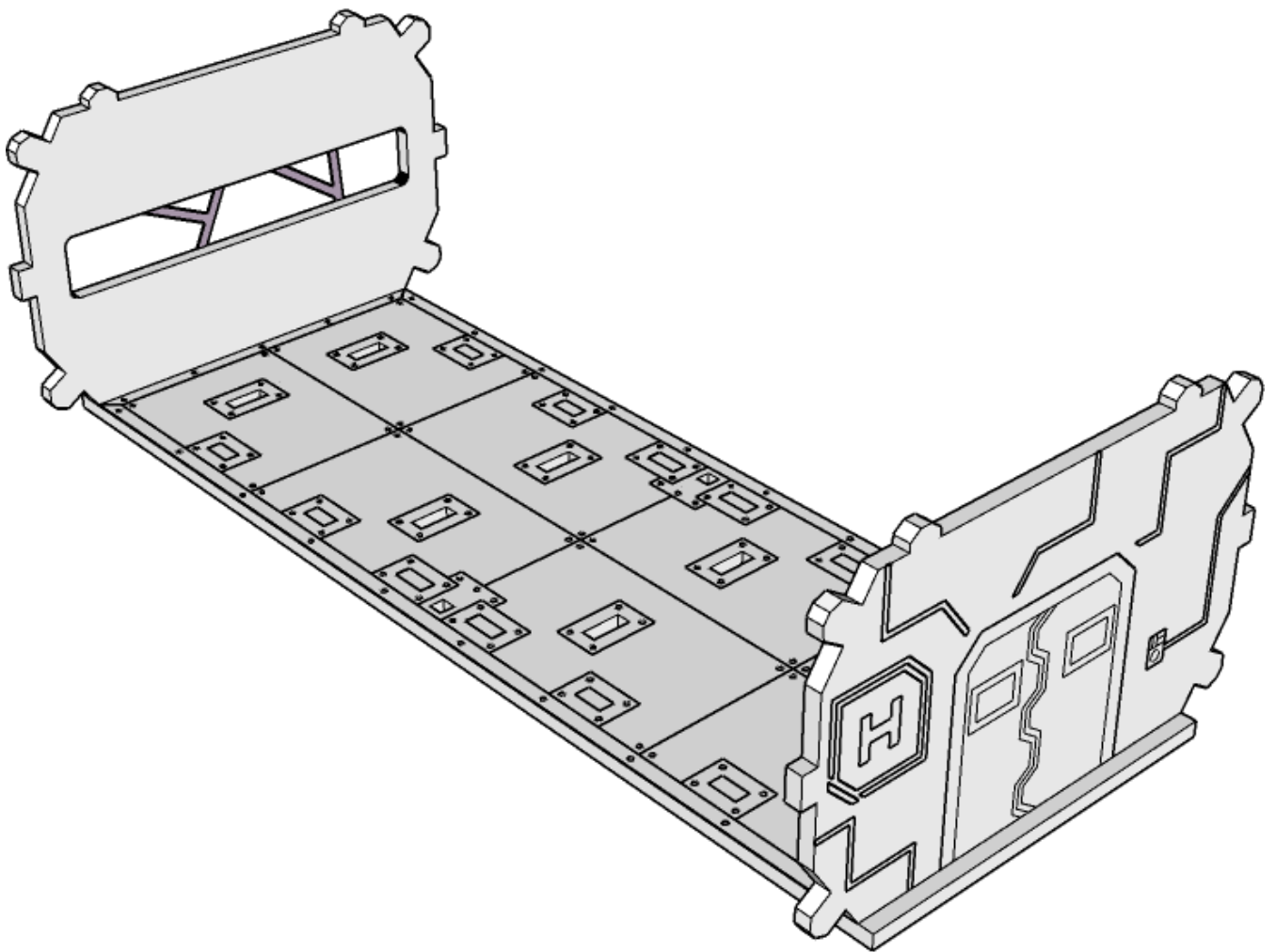


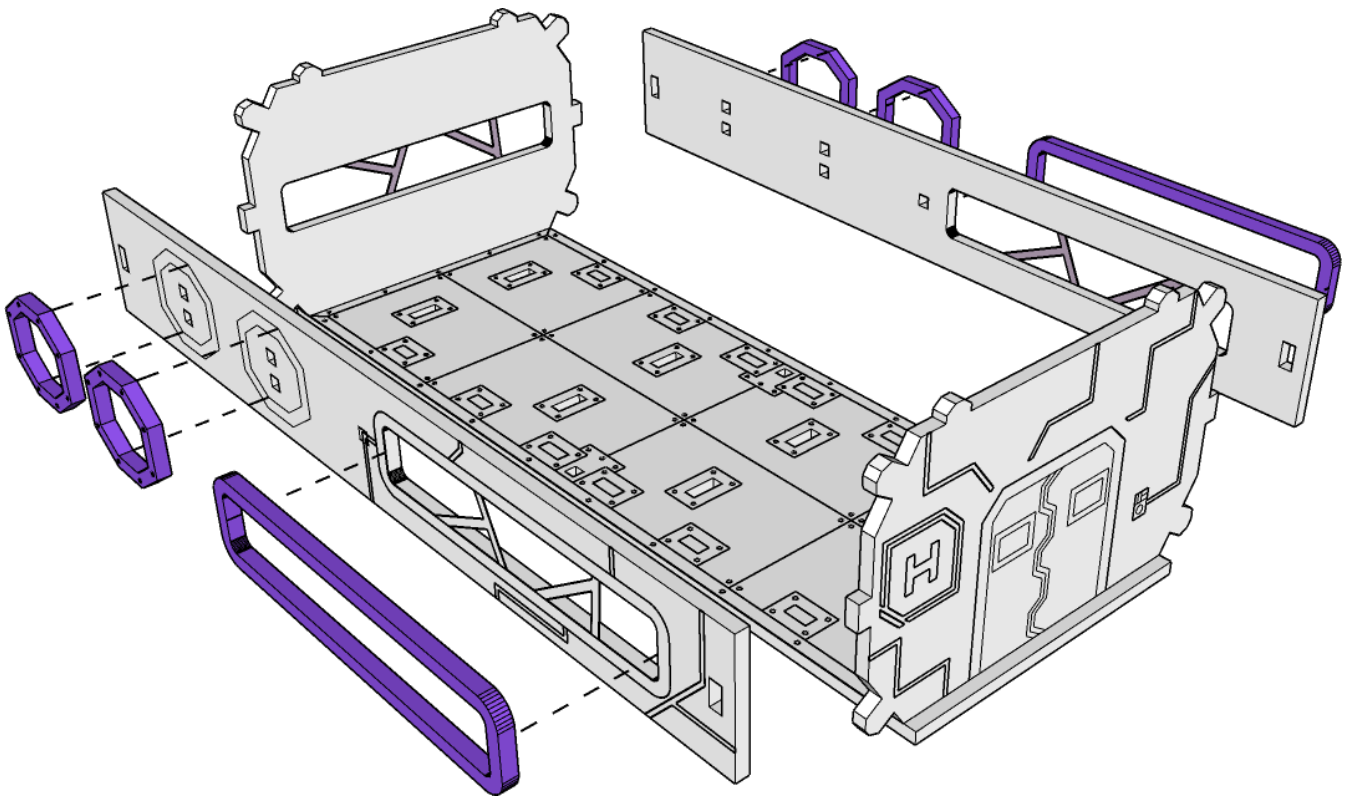




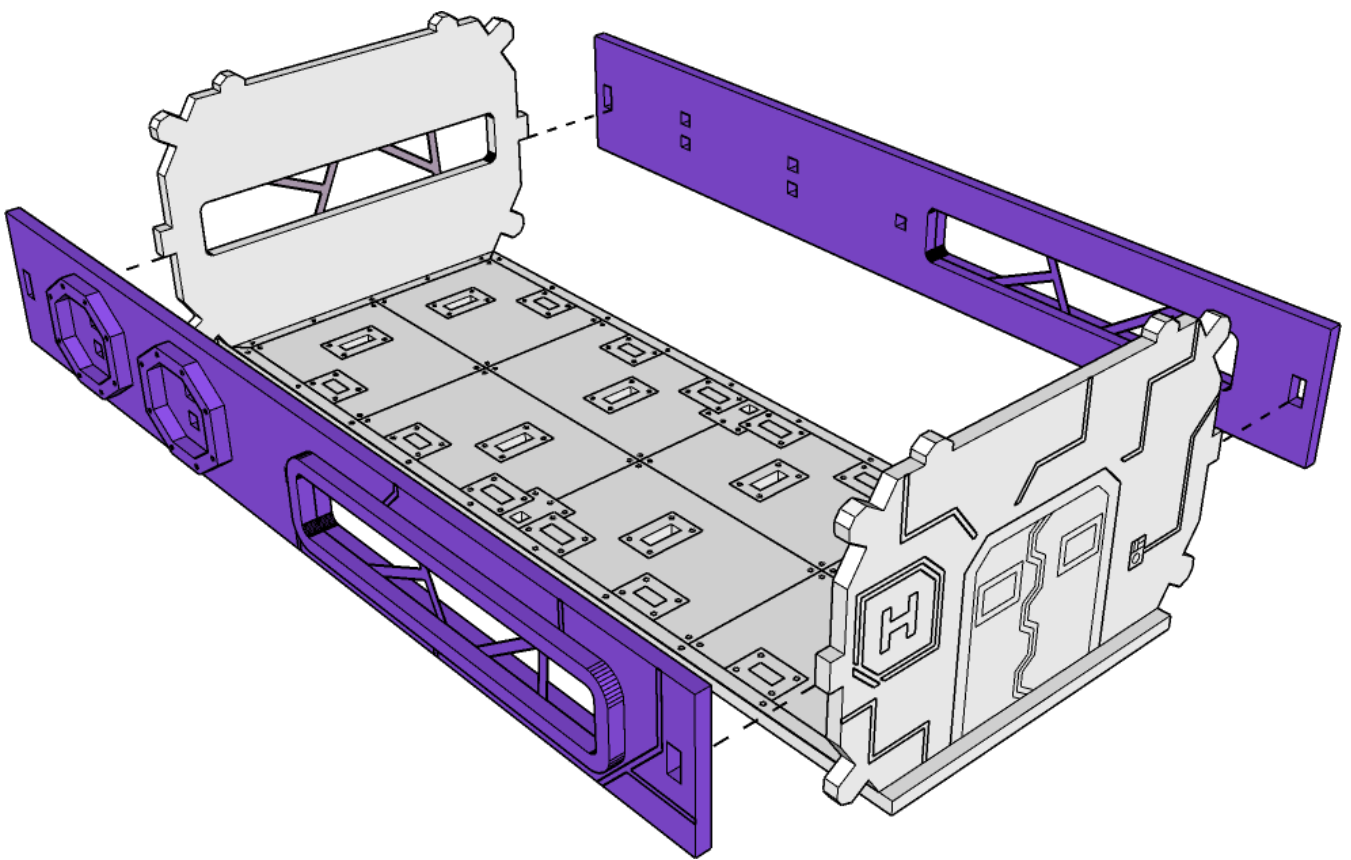
**TABLETOP  
SCENICS**

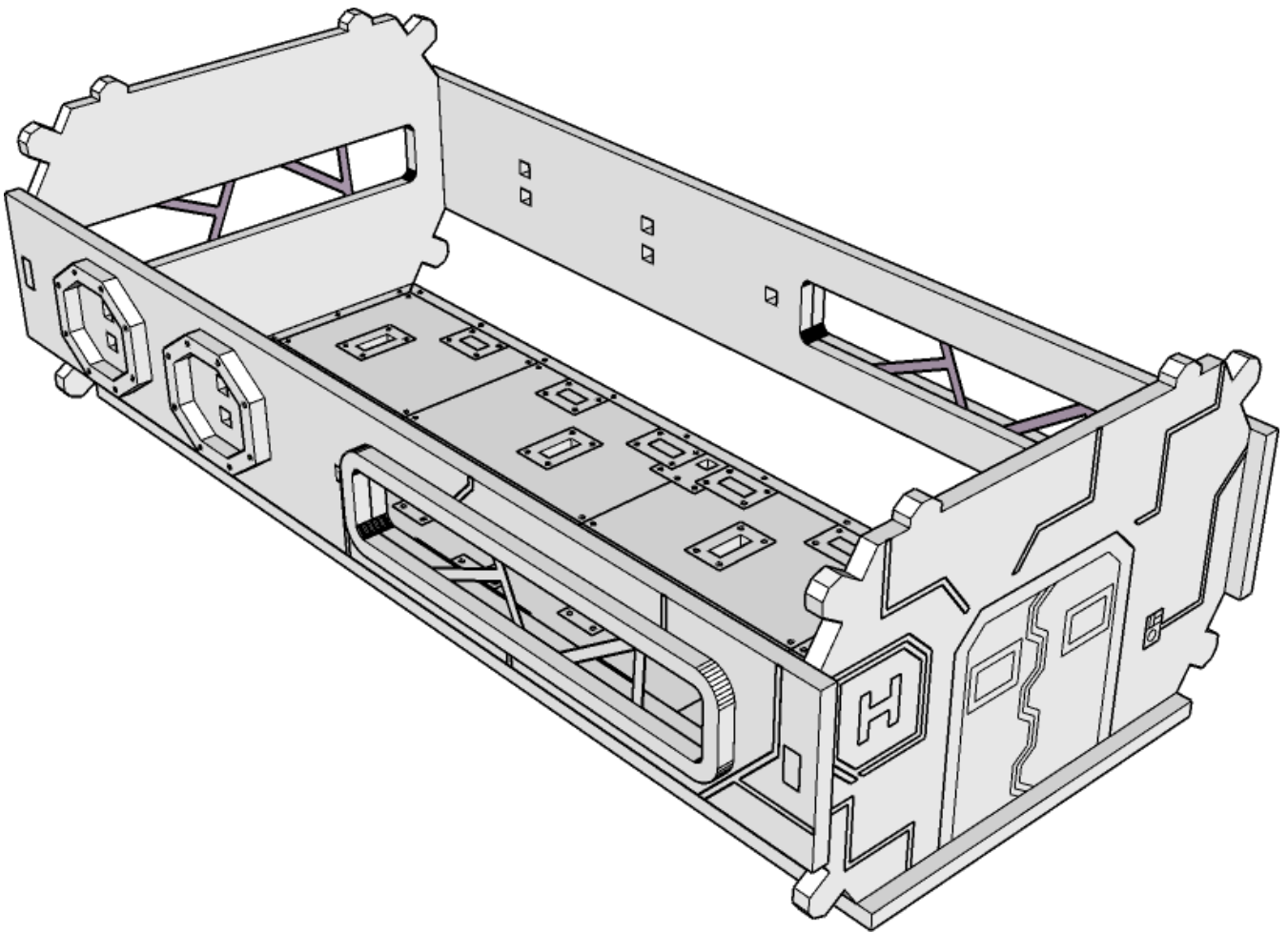
**TTSCW-SFU-106  
Prefab Chemical Lab**



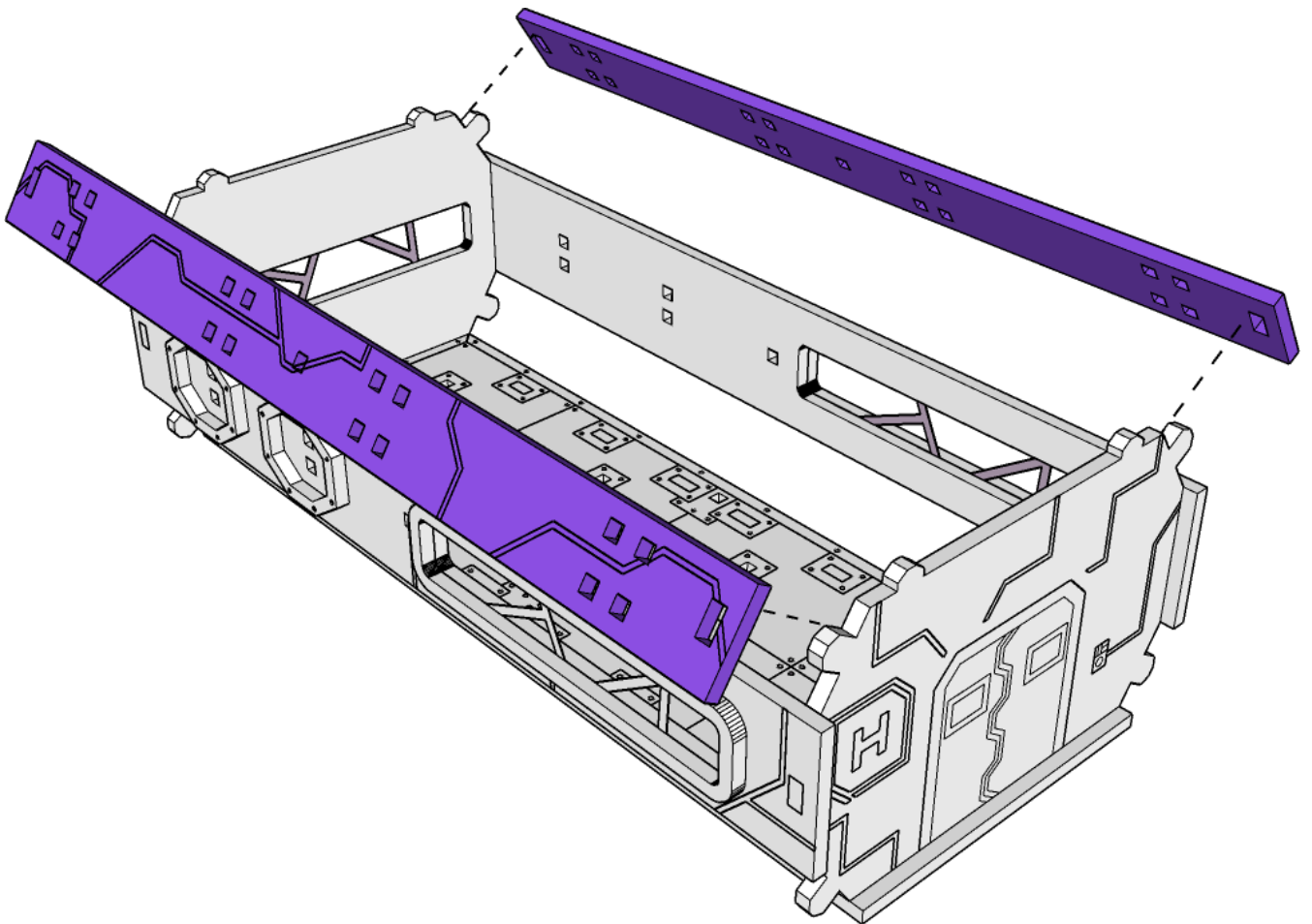








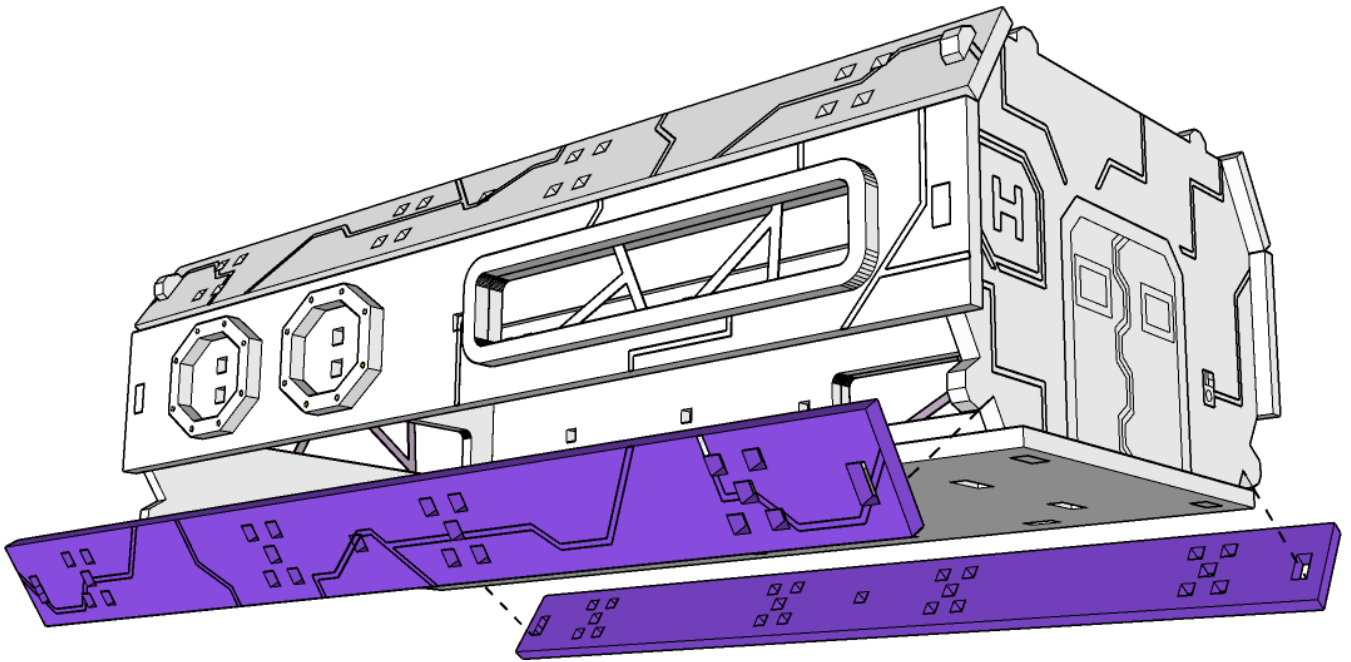






**TABLETOP  
SCENICS**

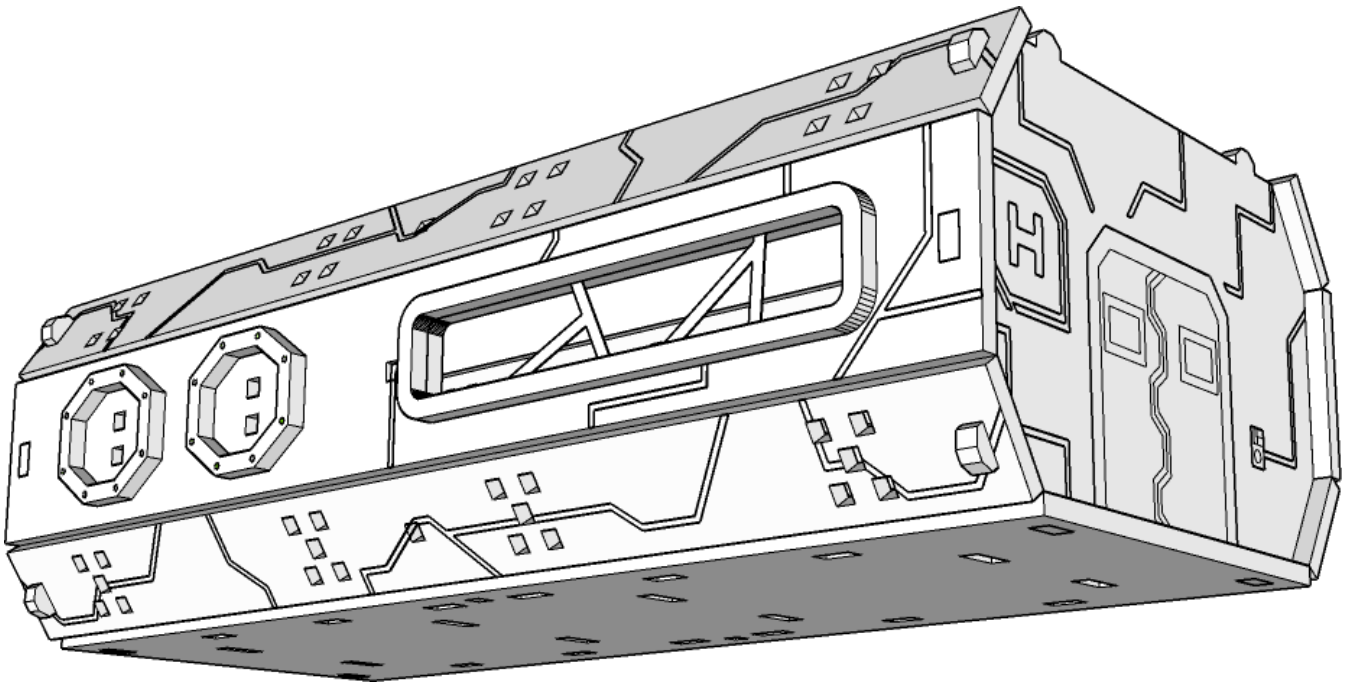
**TTSCW-SFU-106  
Prefab Chemical Lab**





**TABLETOP  
SCENICS**

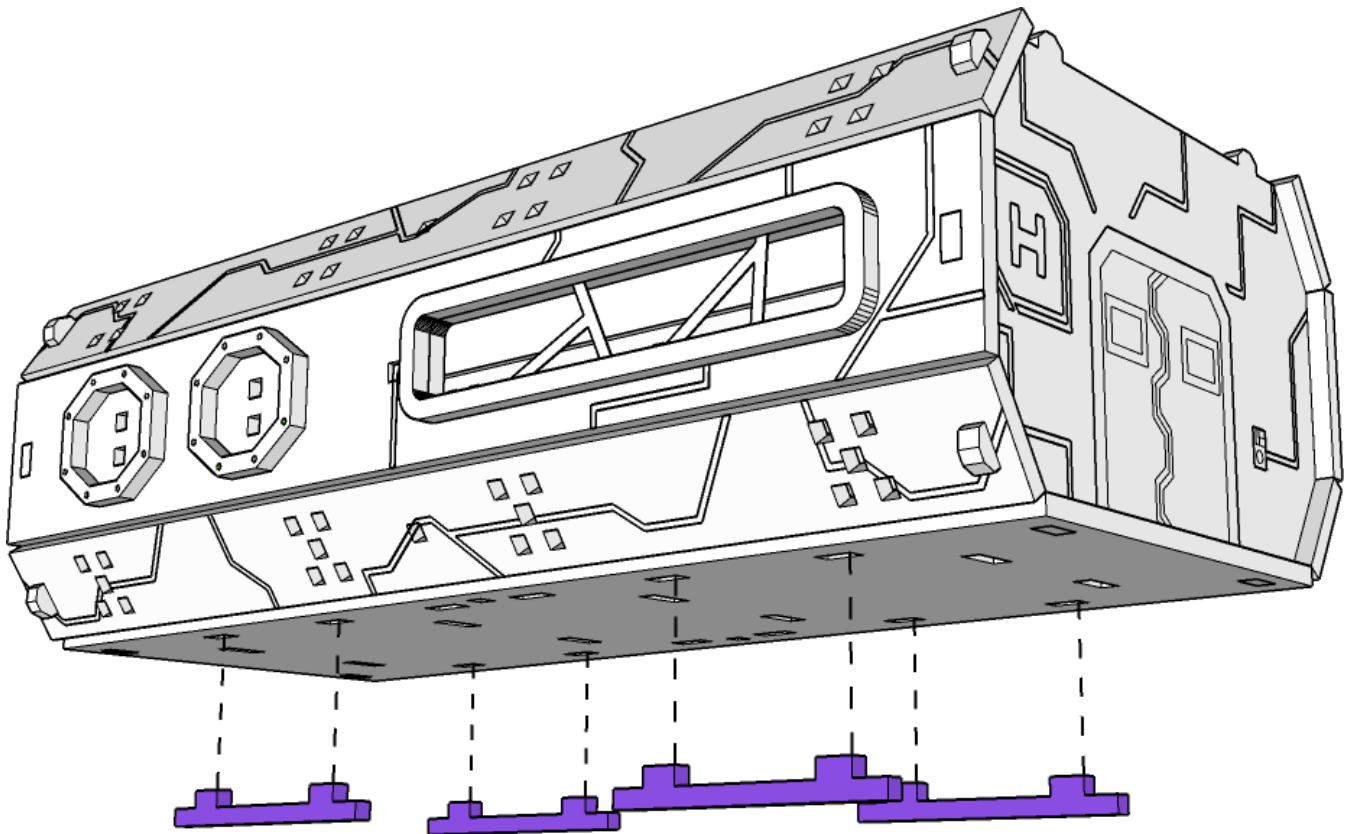
**TTSCW-SFU-106  
Prefab Chemical Lab**





**TABLETOP  
SCENICS**

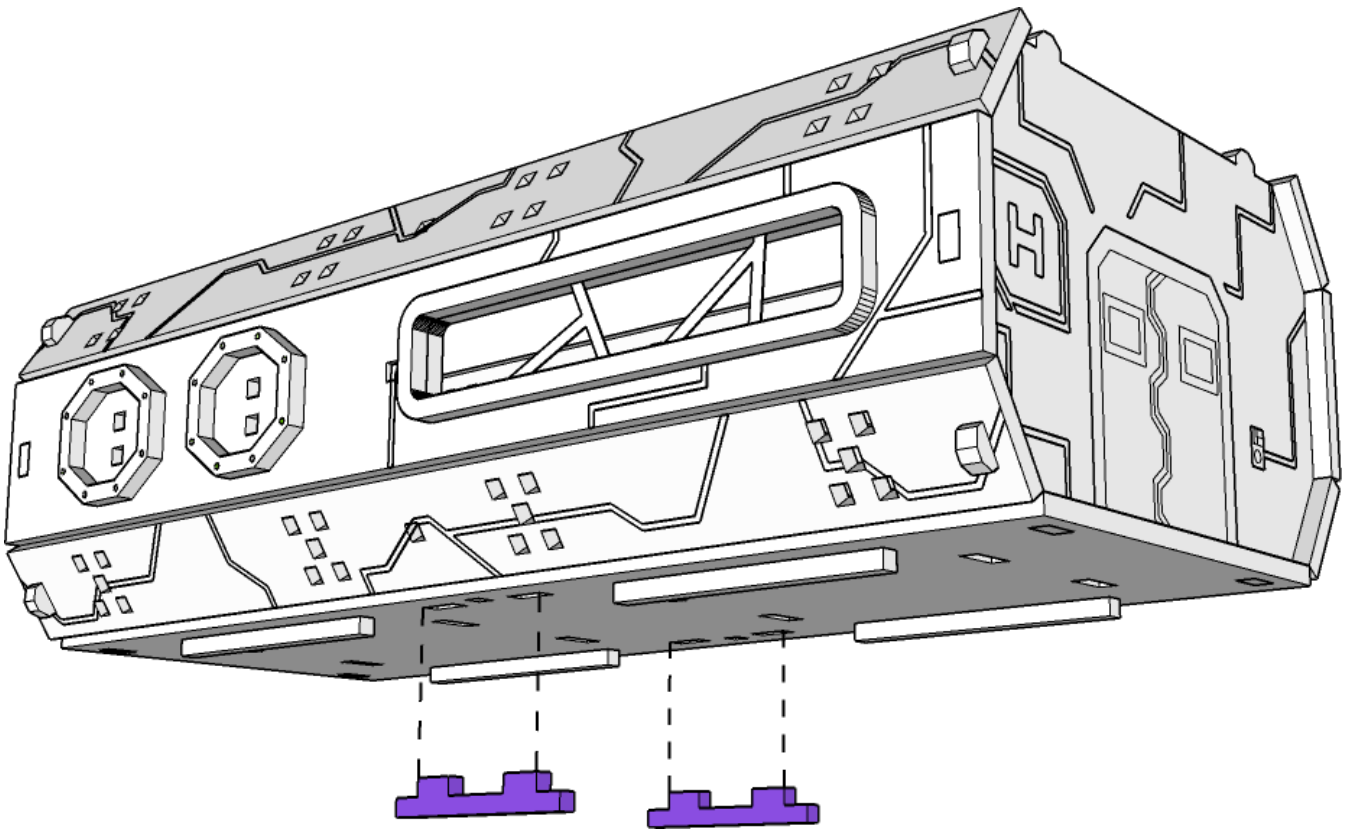
**TTSCW-SFU-106  
Prefab Chemical Lab**





**TABLETOP  
SCENICS**

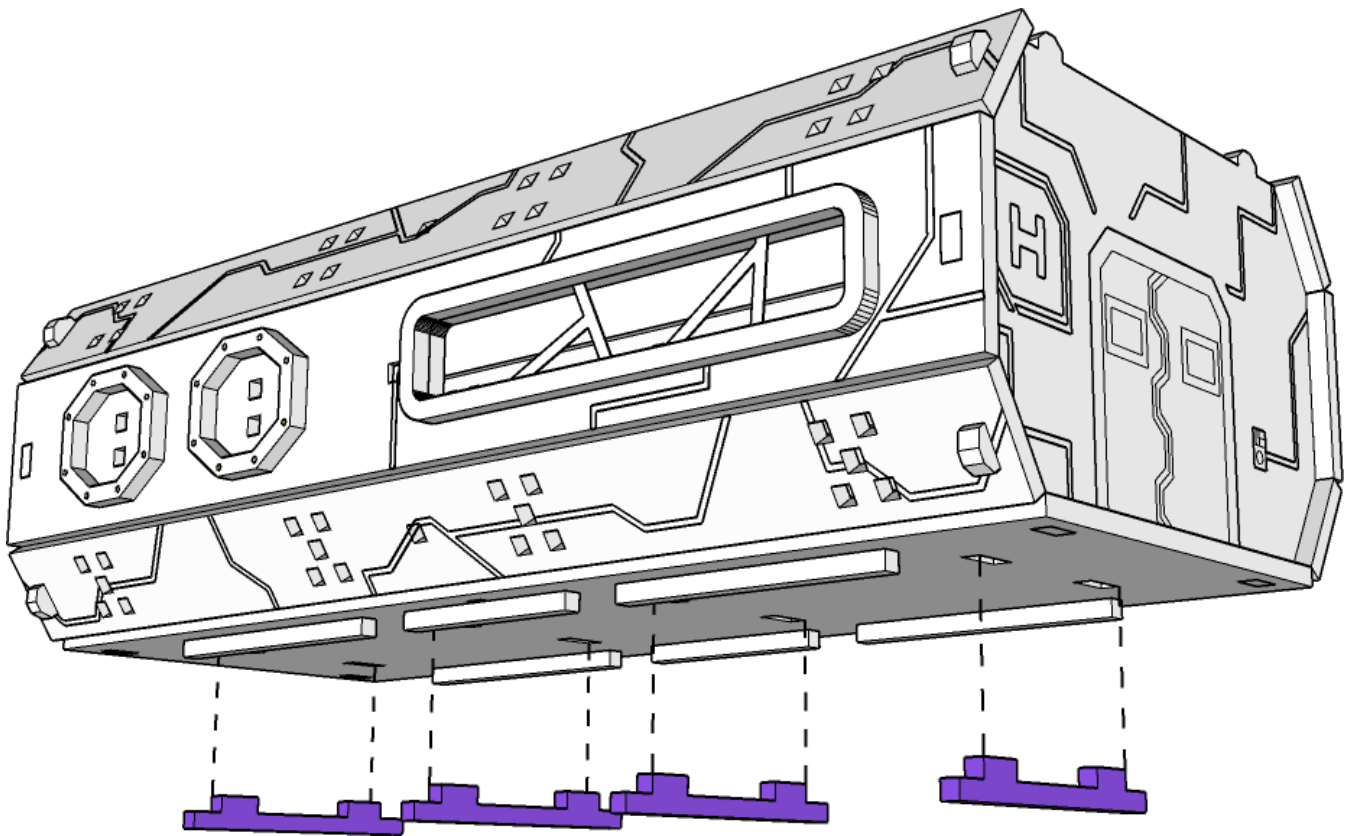
**TTSCW-SFU-106  
Prefab Chemical Lab**





**TABLETOP  
SCENICS**

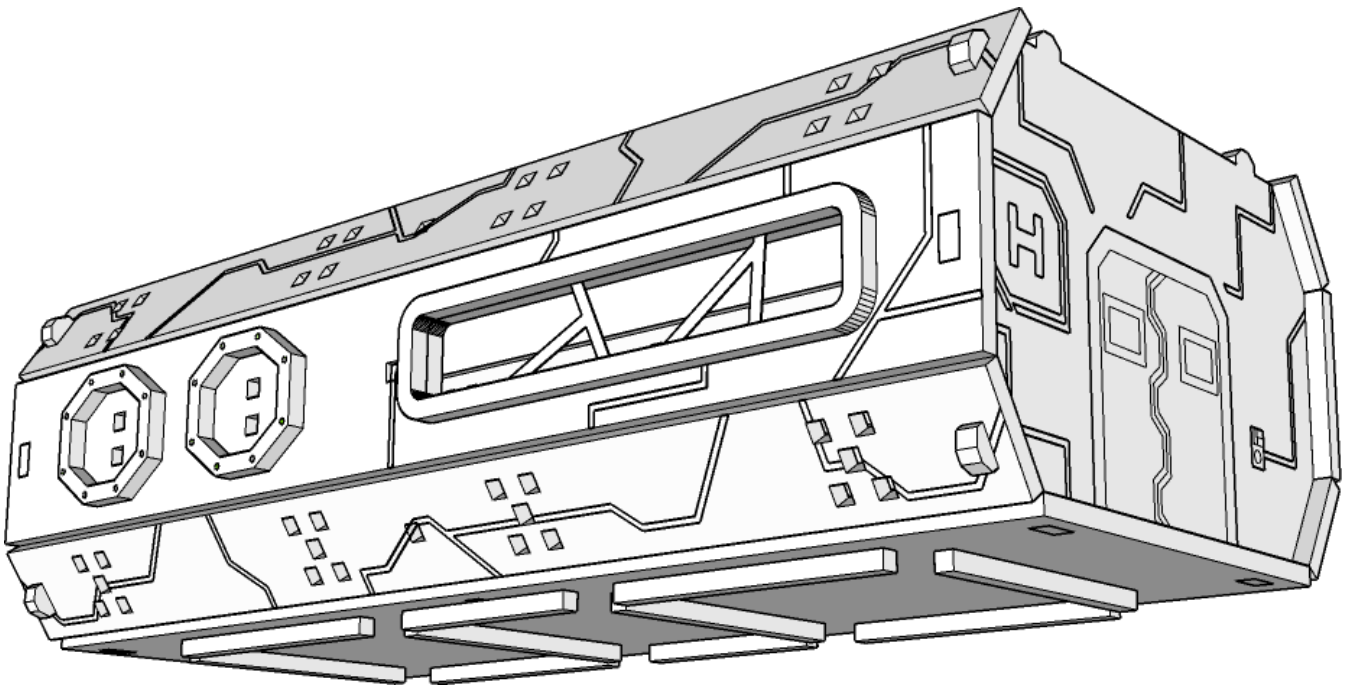
**TTSCW-SFU-106  
Prefab Chemical Lab**

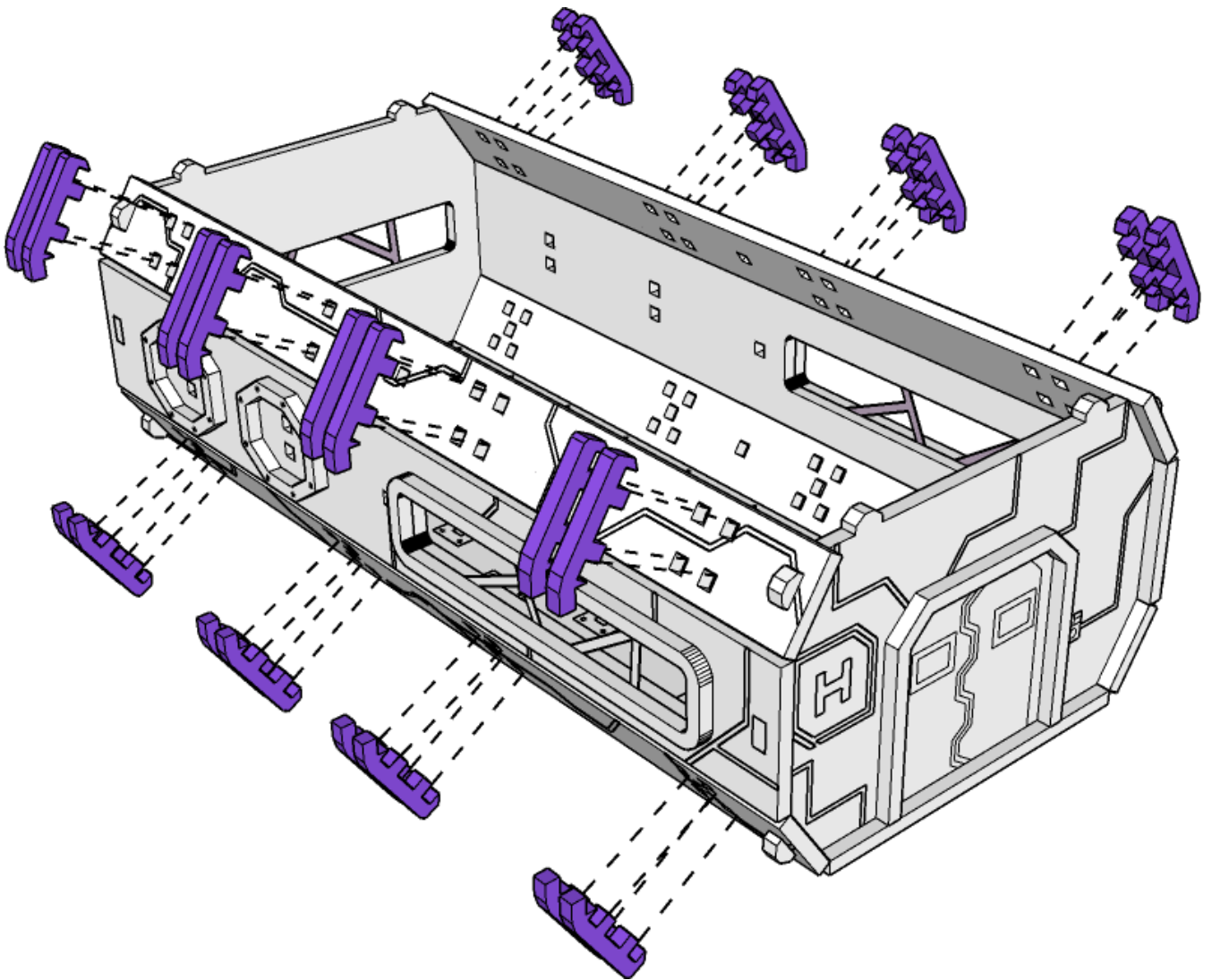




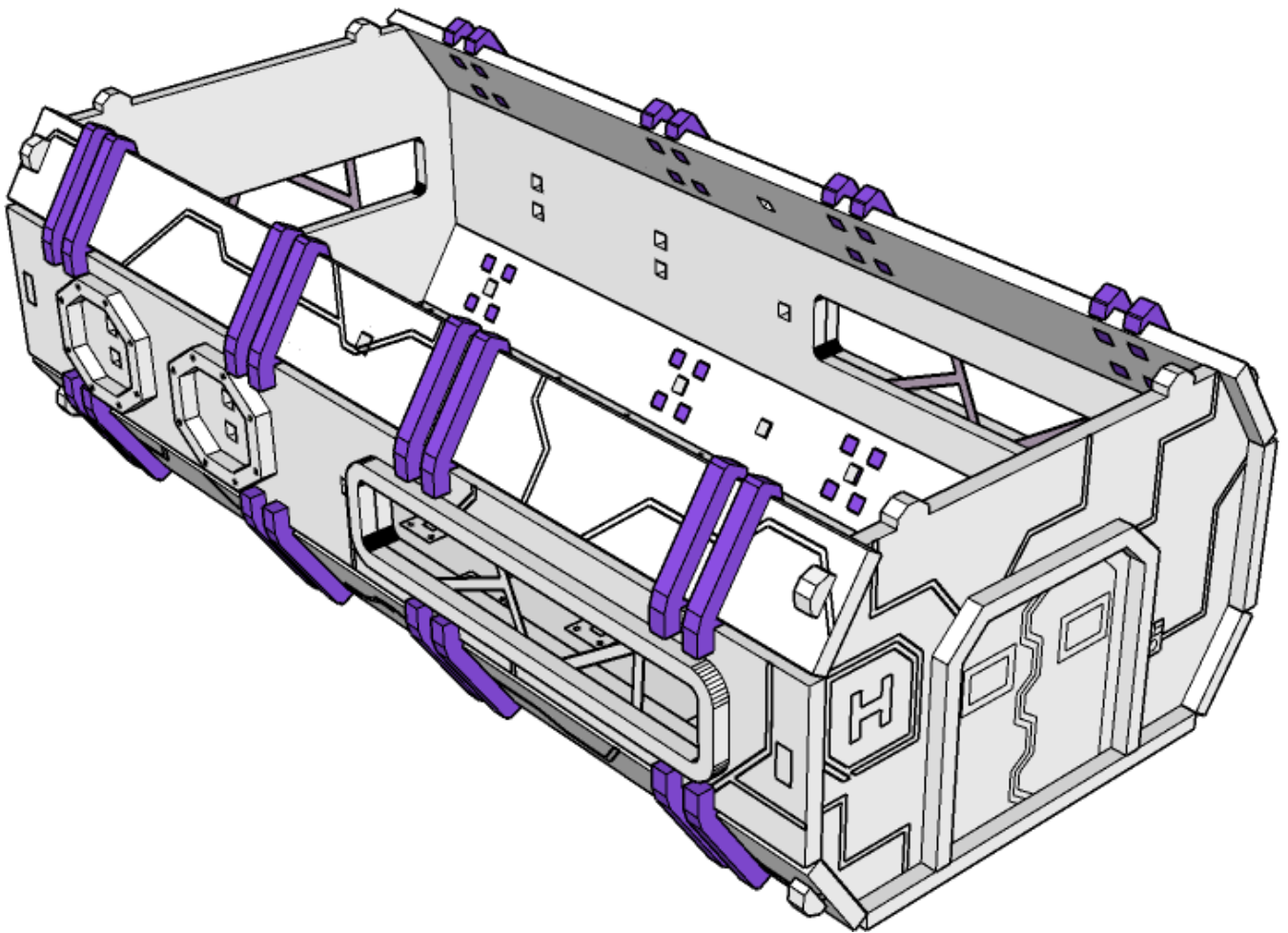
**TABLETOP  
SCENICS**

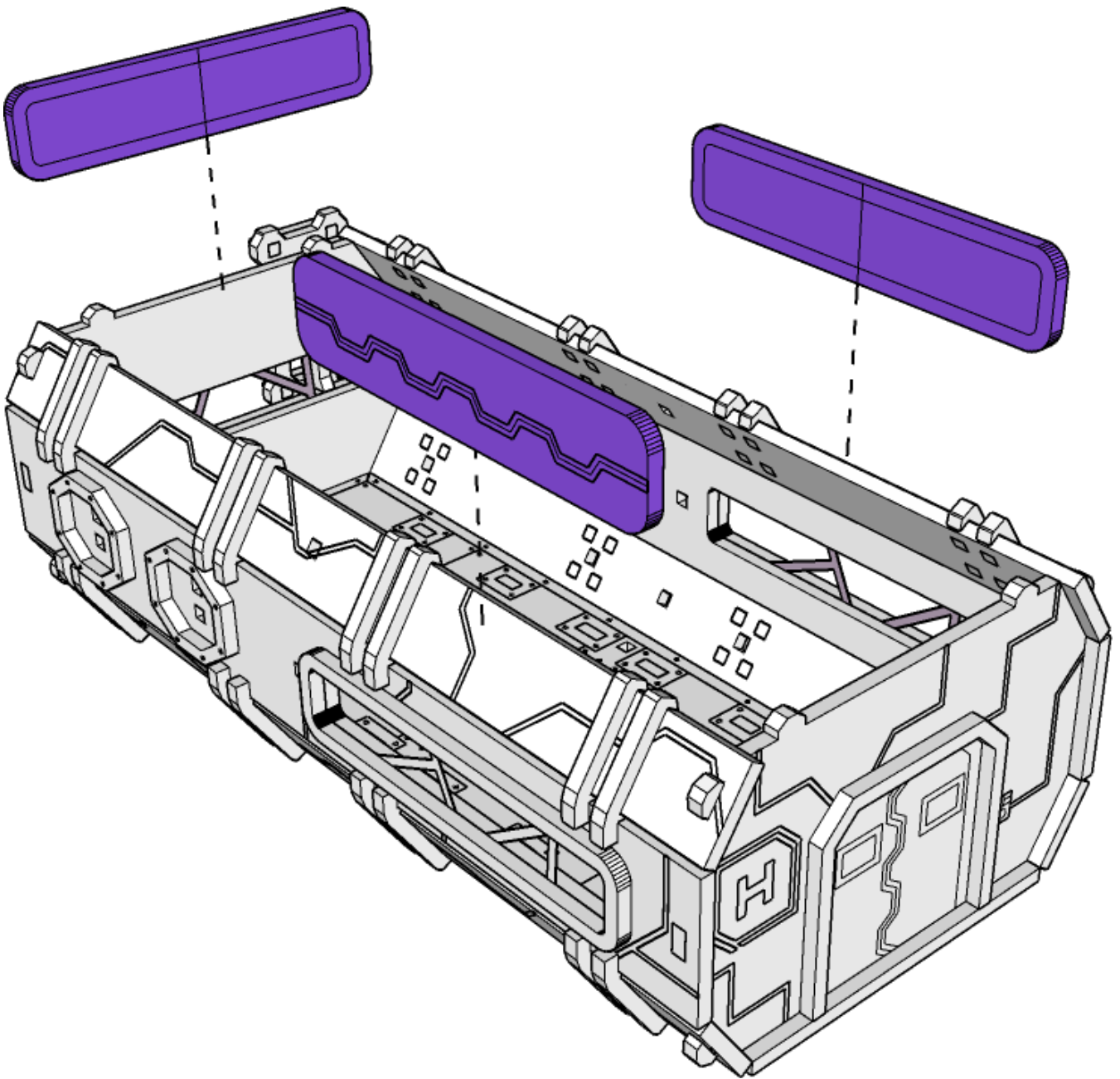
**TTSCW-SFU-106  
Prefab Chemical Lab**







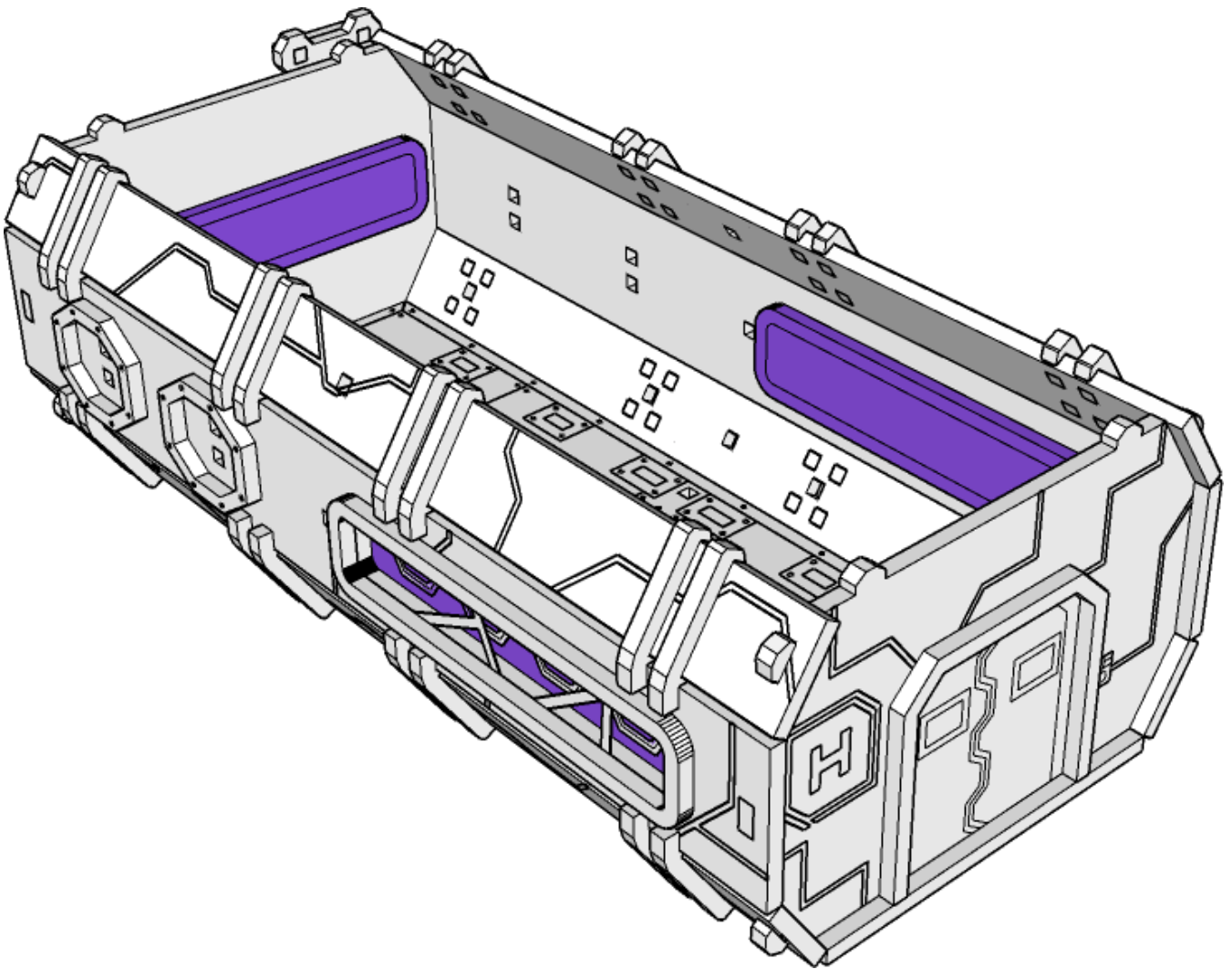






**TABLETOP  
SCENICS**

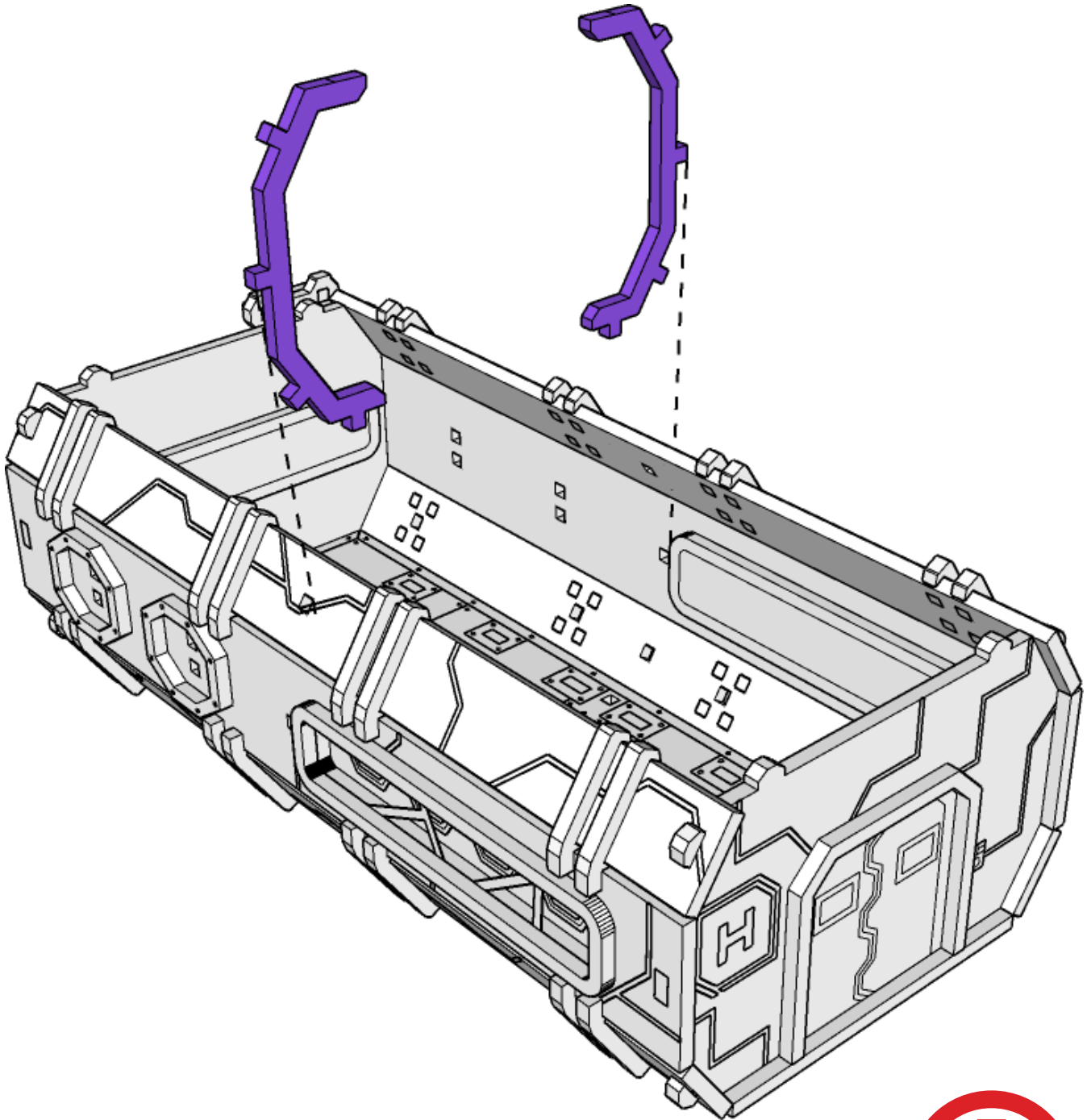
**TTSCW-SFU-106  
Prefab Chemical Lab**





TABLETOP  
**SCENICS**

**TTSCW-SFU-106**  
**Prefab Chemical Lab**



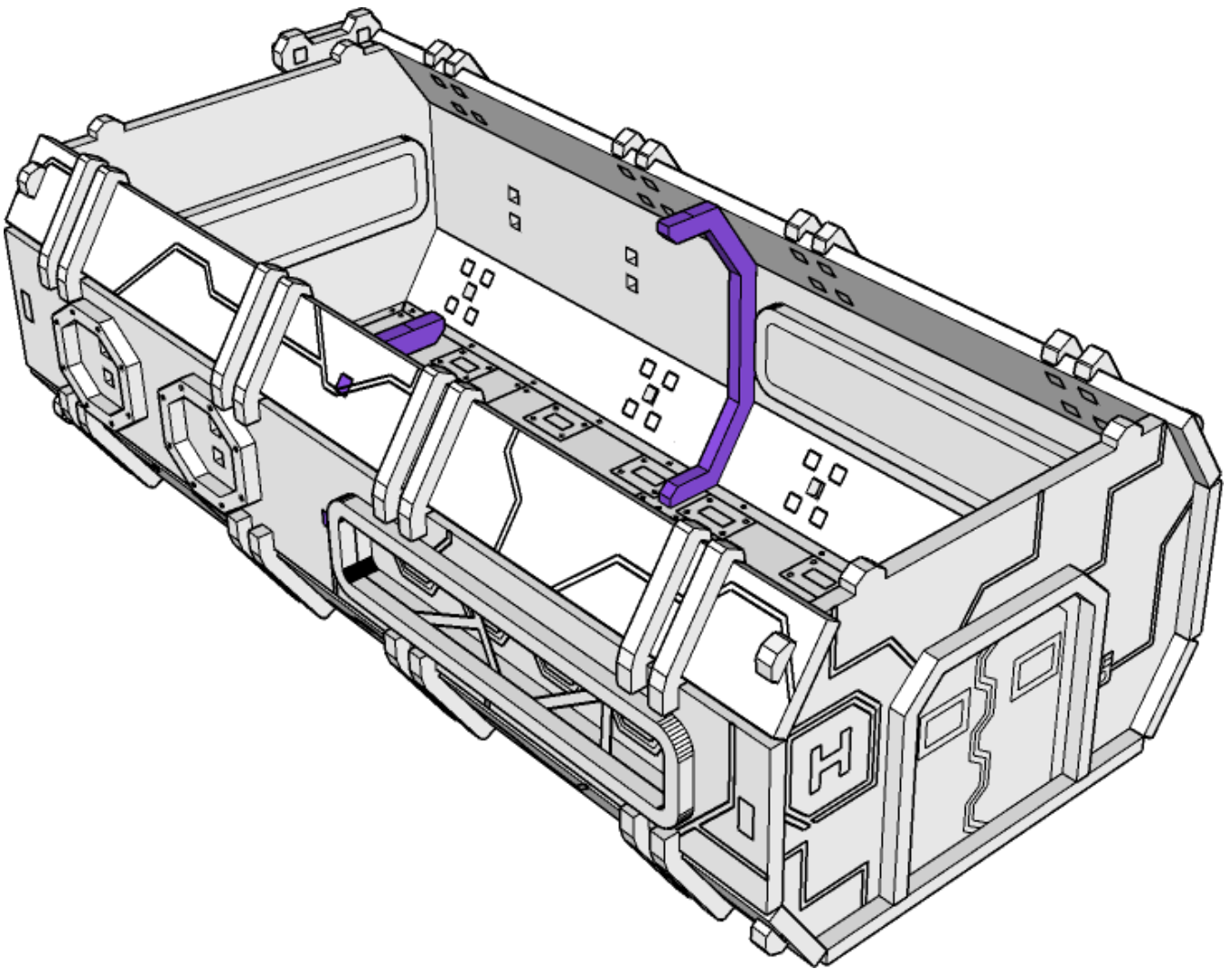
**136**

 **TTCOMBAT**



**TABLETOP  
SCENICS**

**TTSCW-SFU-106  
Prefab Chemical Lab**

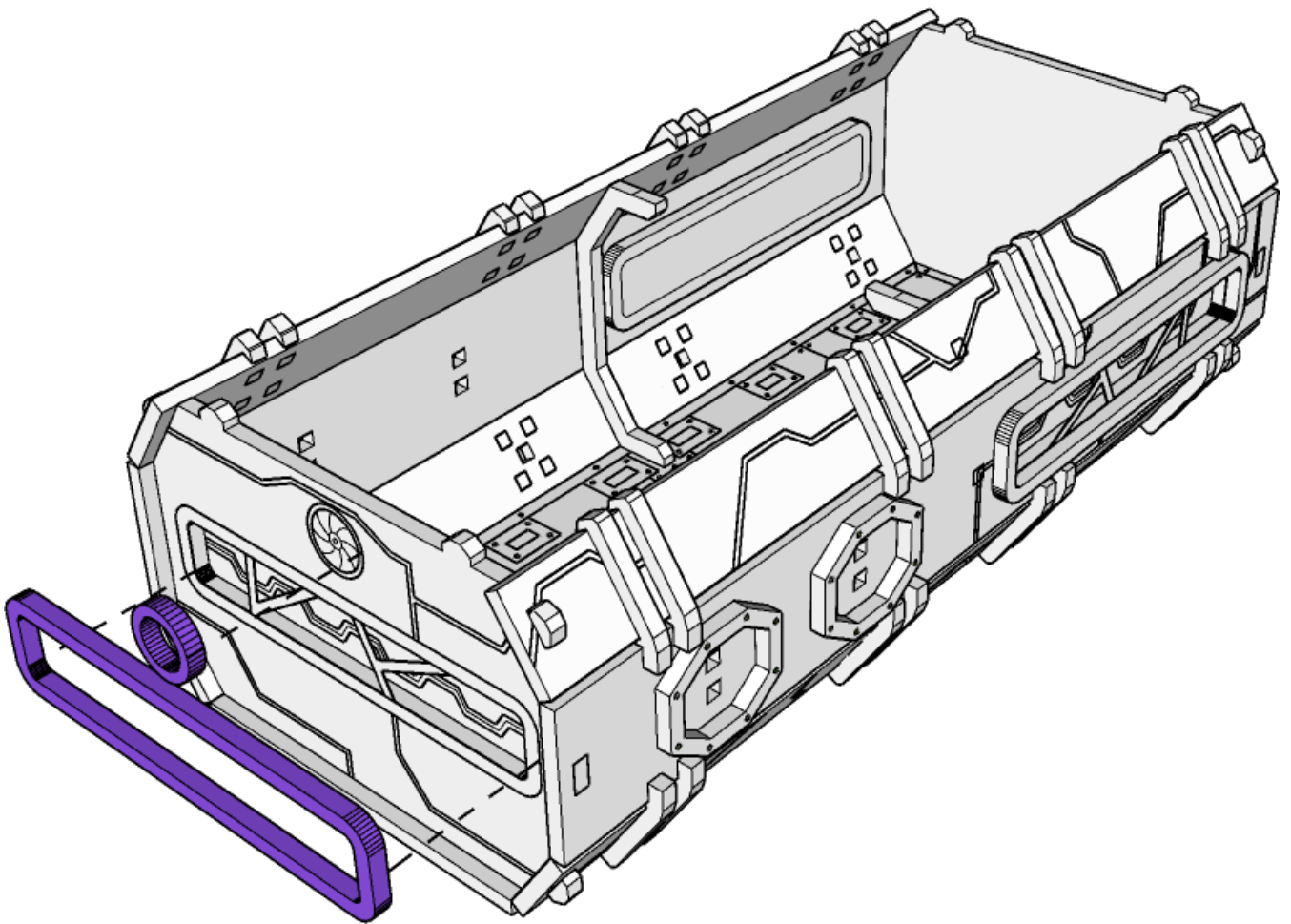






**TABLETOP  
SCENICS**

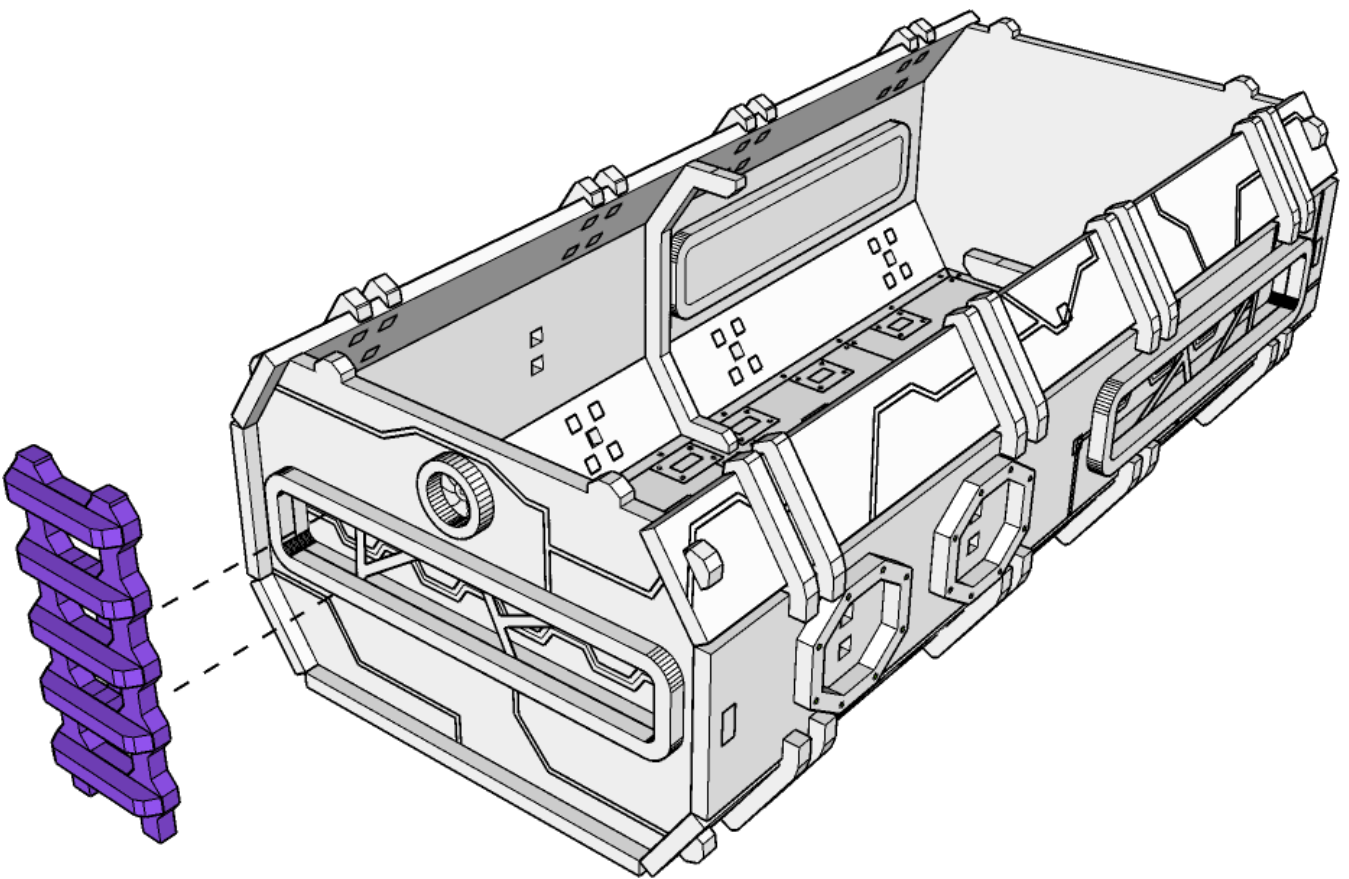
**TTSCW-SFU-106  
Prefab Chemical Lab**





**TABLETOP  
SCENICS**

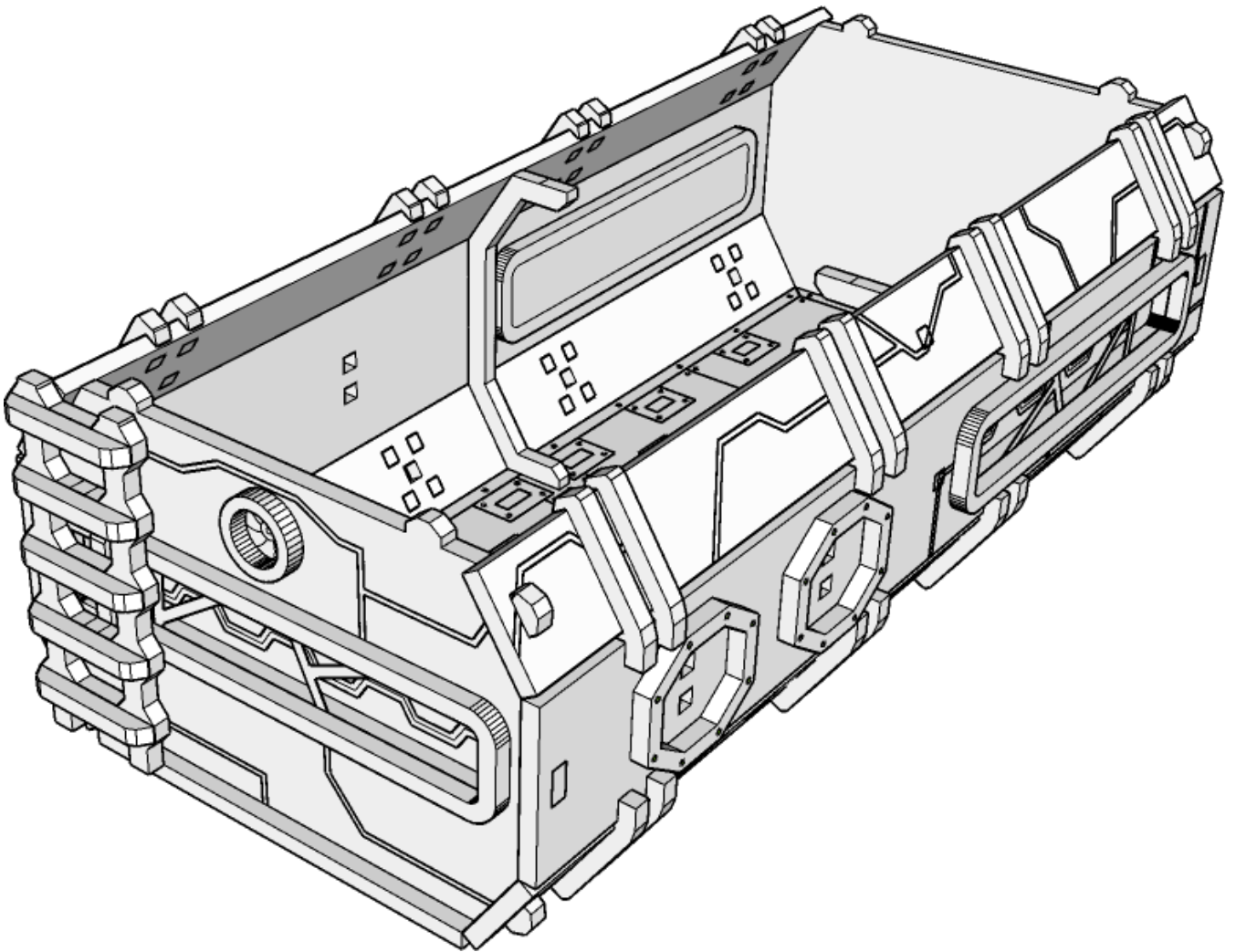
**TTSCW-SFU-106  
Prefab Chemical Lab**



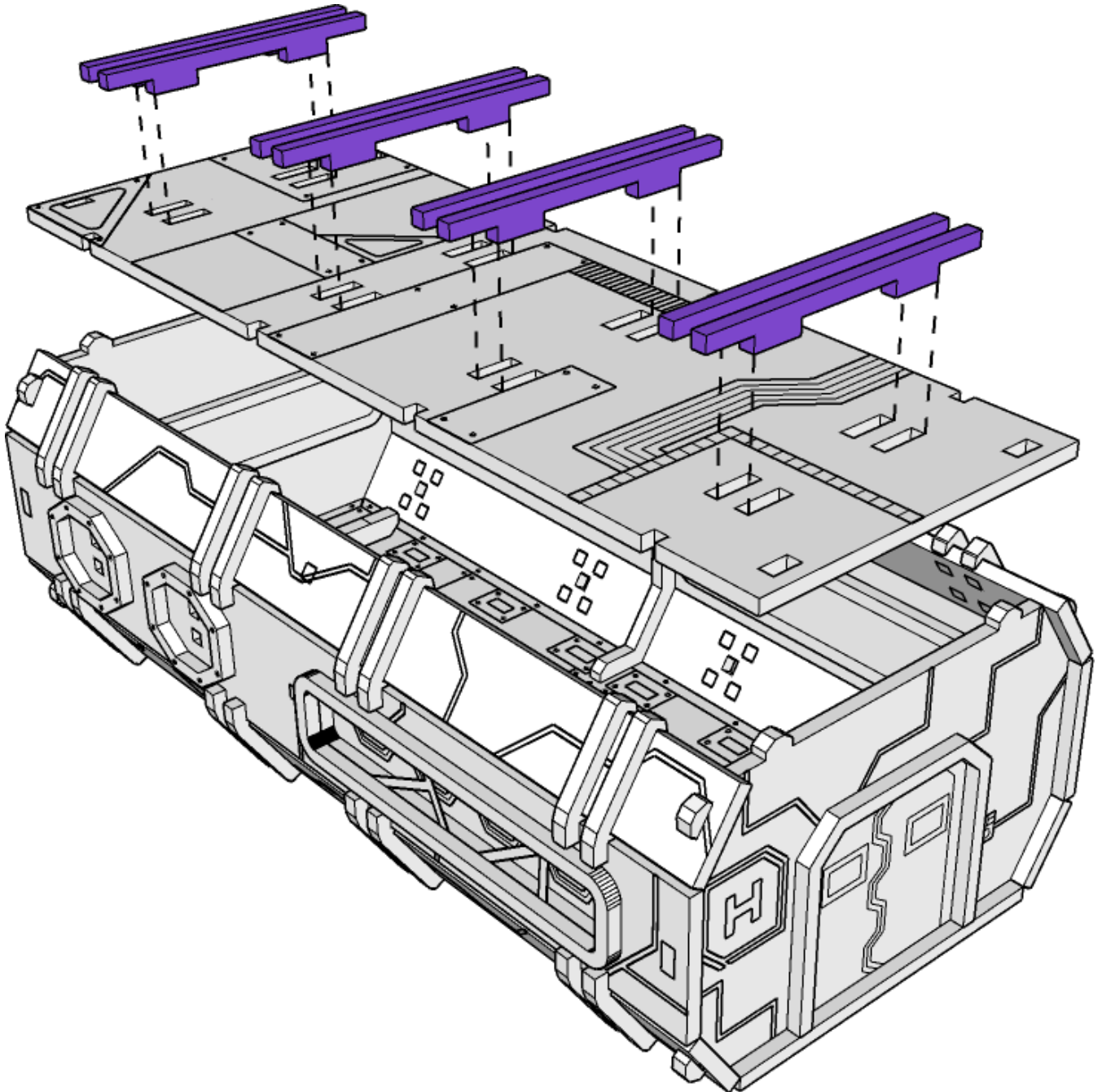


**TABLETOP  
SCENICS**

**TTSCW-SFU-106  
Prefab Chemical Lab**



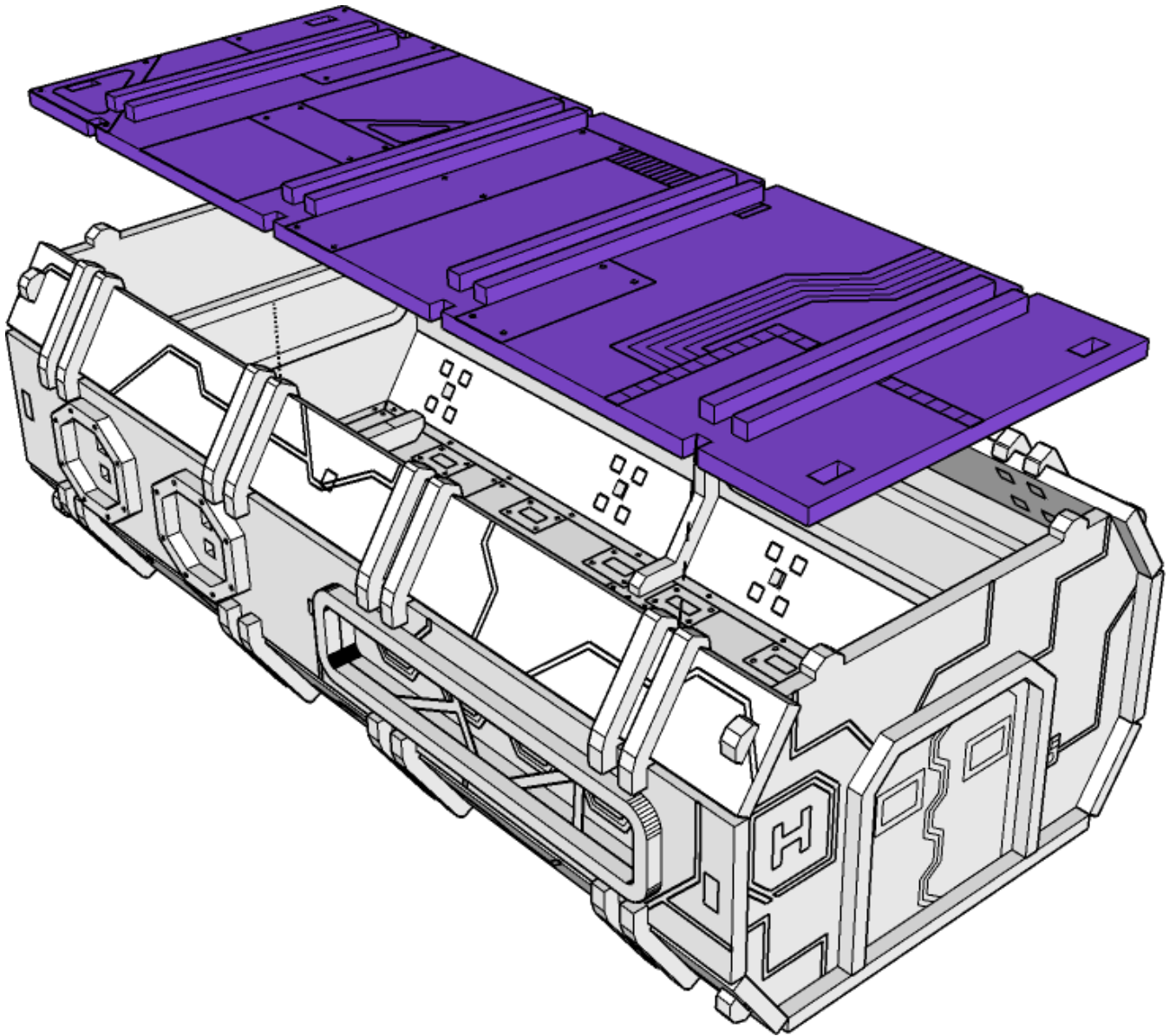






**TABLETOP  
SCENICS**

**TTSCW-SFU-106  
Prefab Chemical Lab**



**142**

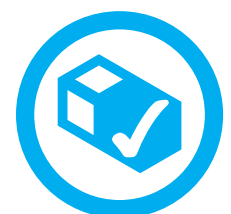
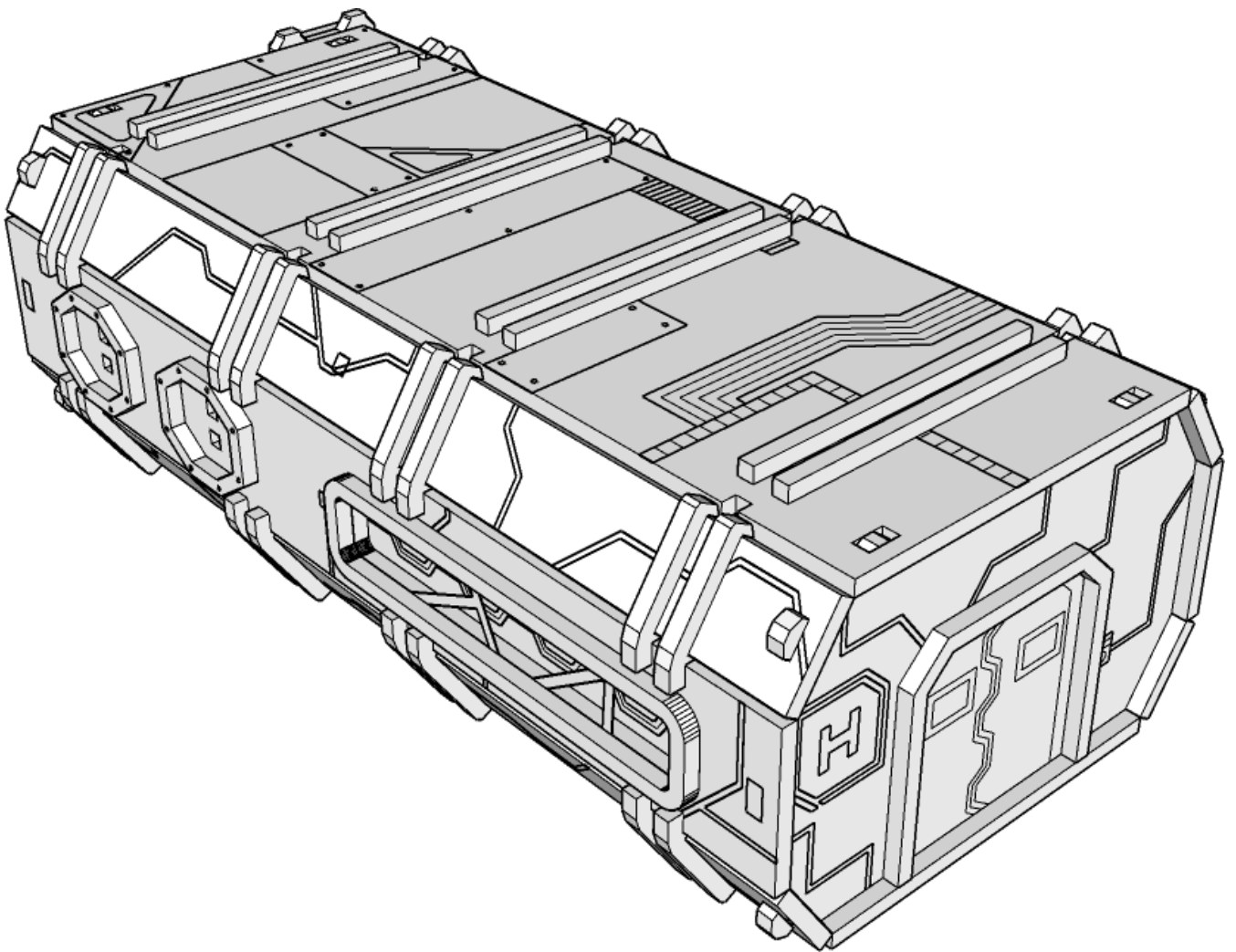


 **TTCOMBAT**



**TABLETOP  
SCENICS**

**TTSCW-SFU-106  
Prefab Chemical Lab**



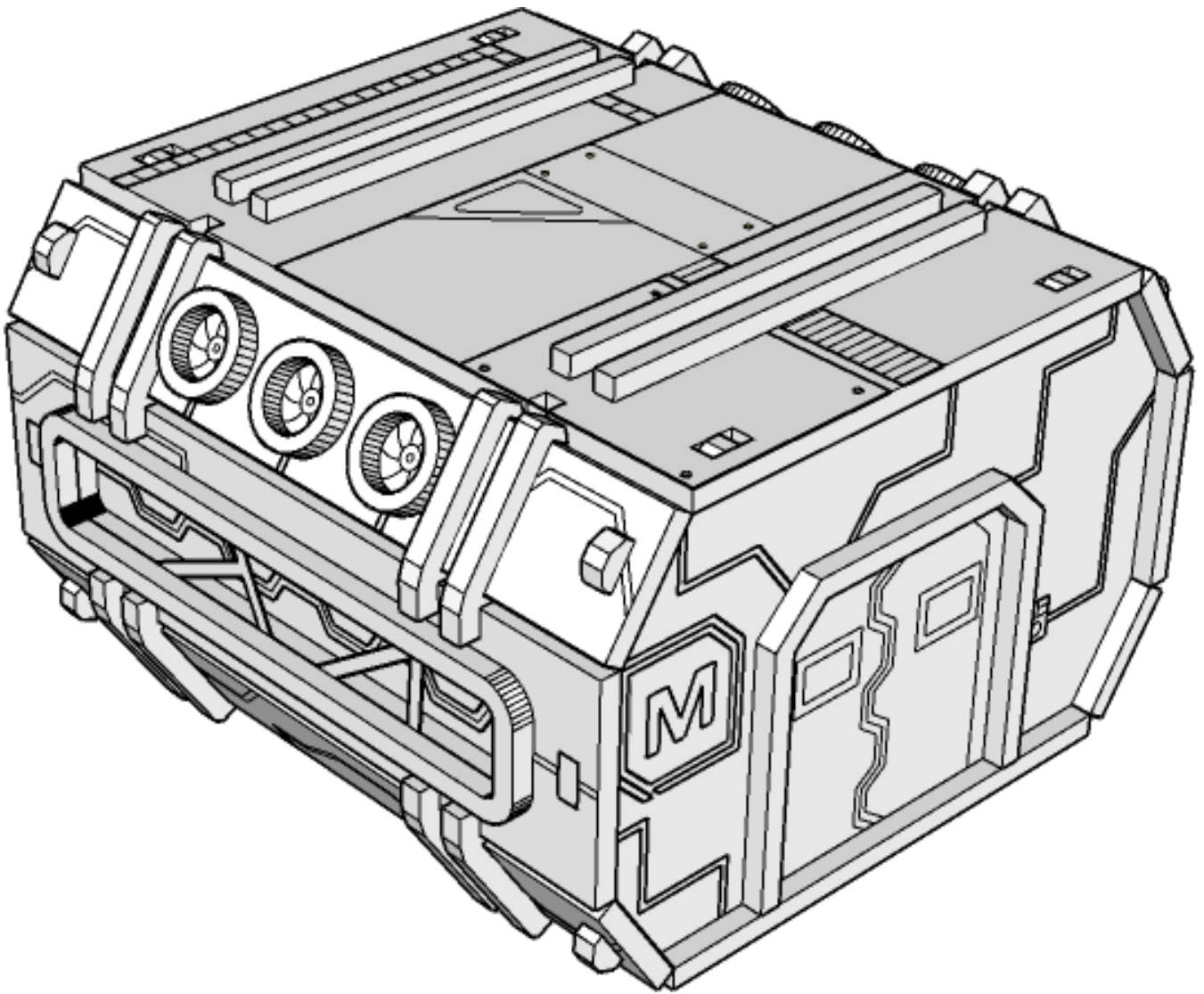
**143**

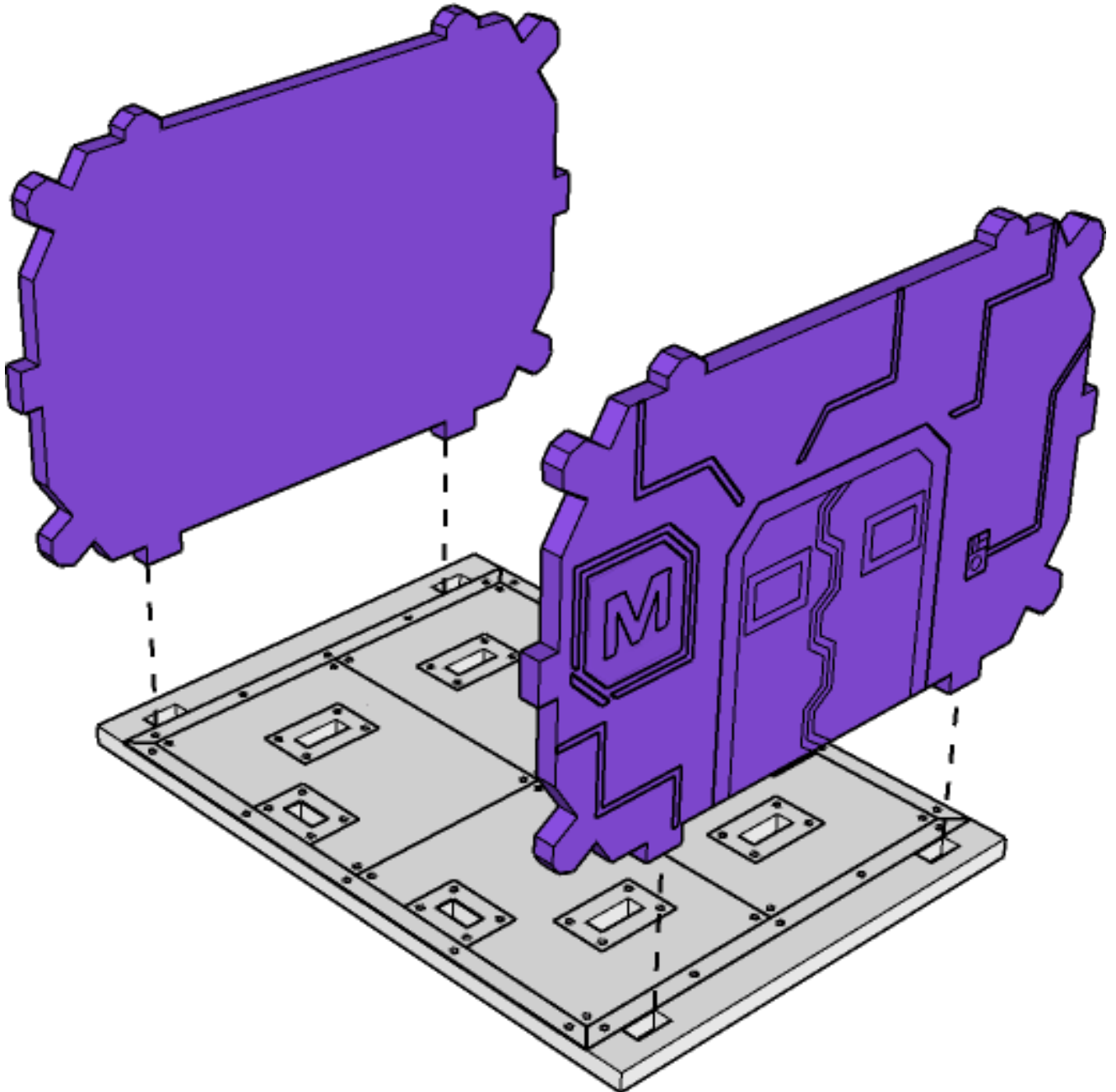
 **TTCOMBAT**



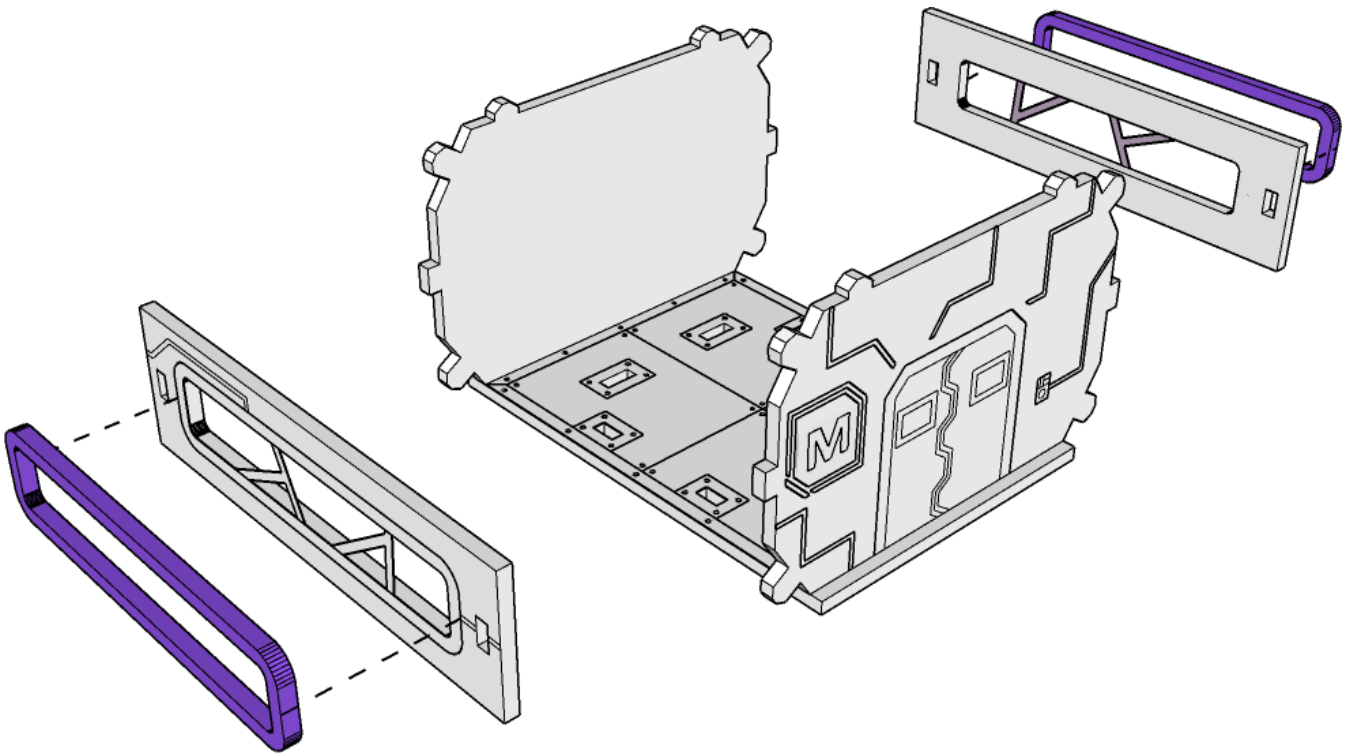
**TABLETOP  
SCENICS**

**TTSCW-SFU-106  
Prefab Chemical Lab**





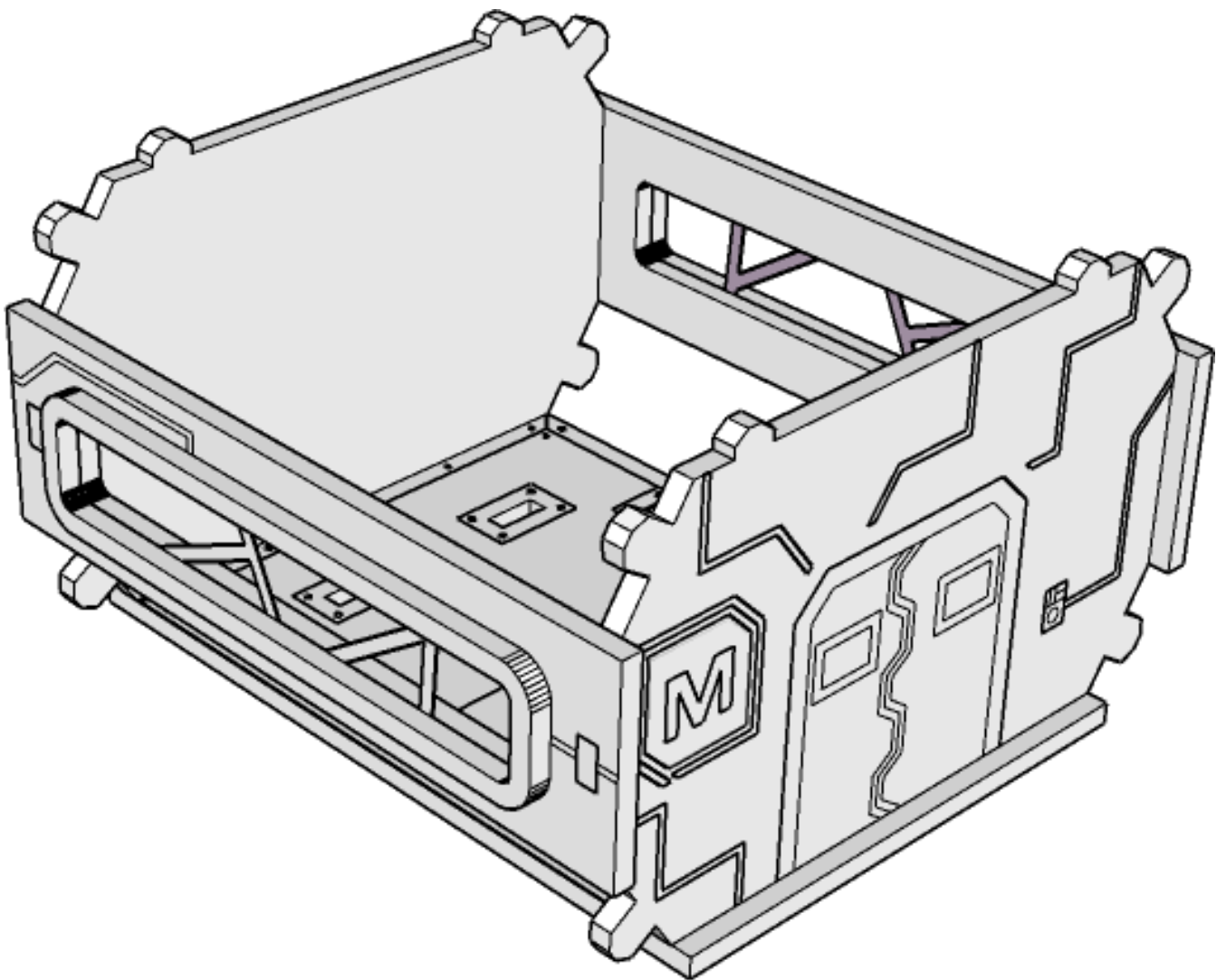


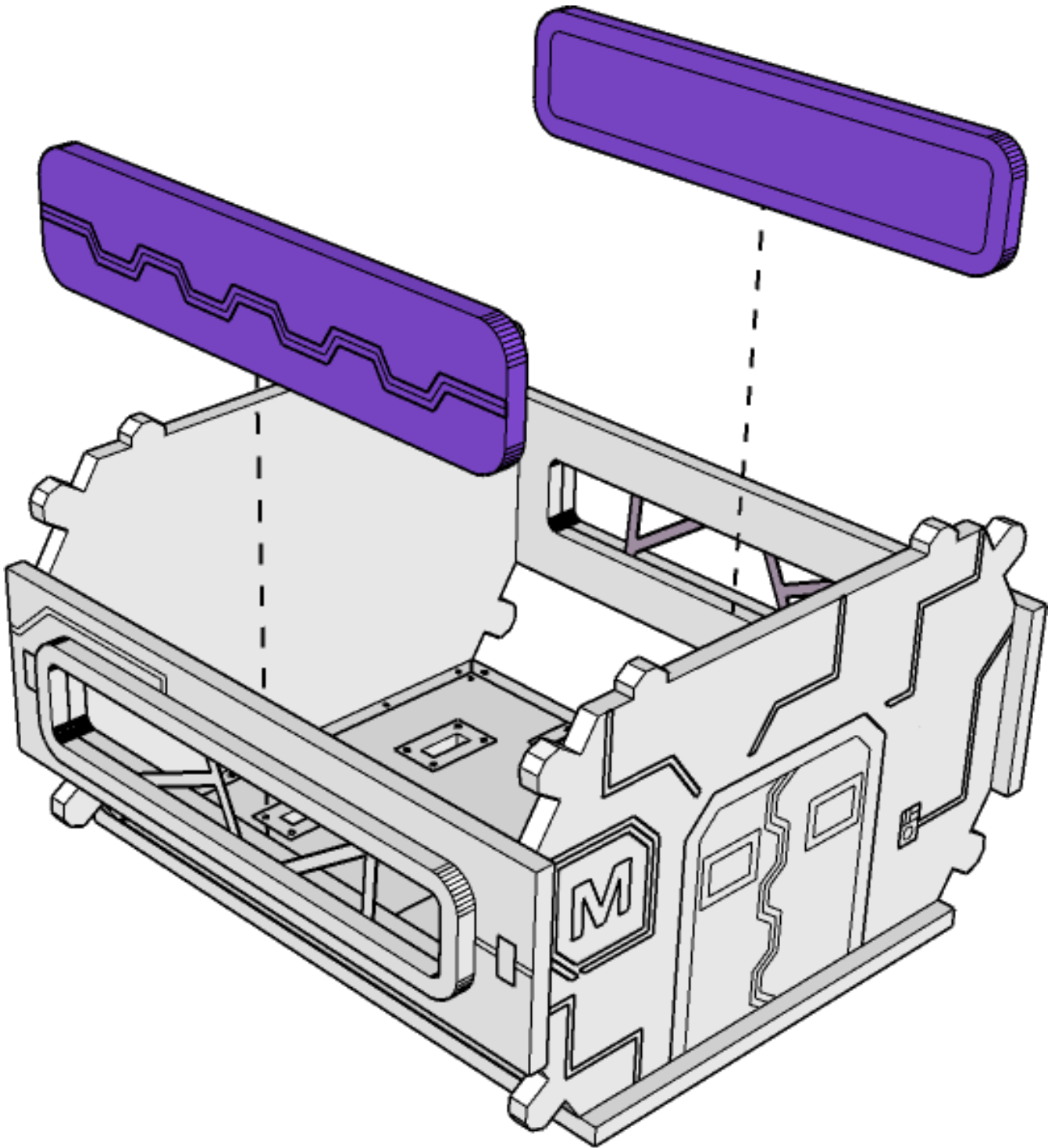




**TABLETOP  
SCENICS**

**TTSCW-SFU-106  
Prefab Chemical Lab**



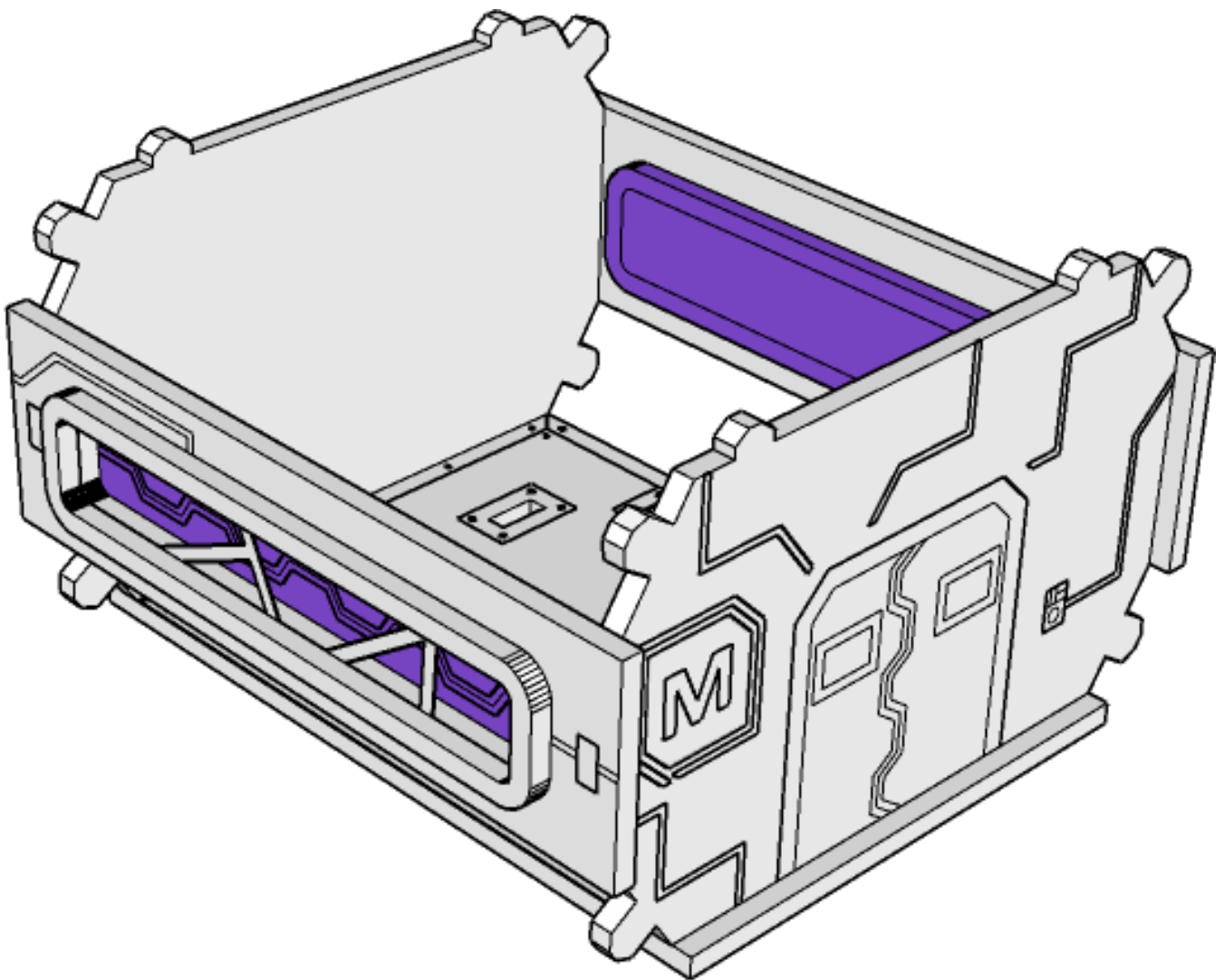


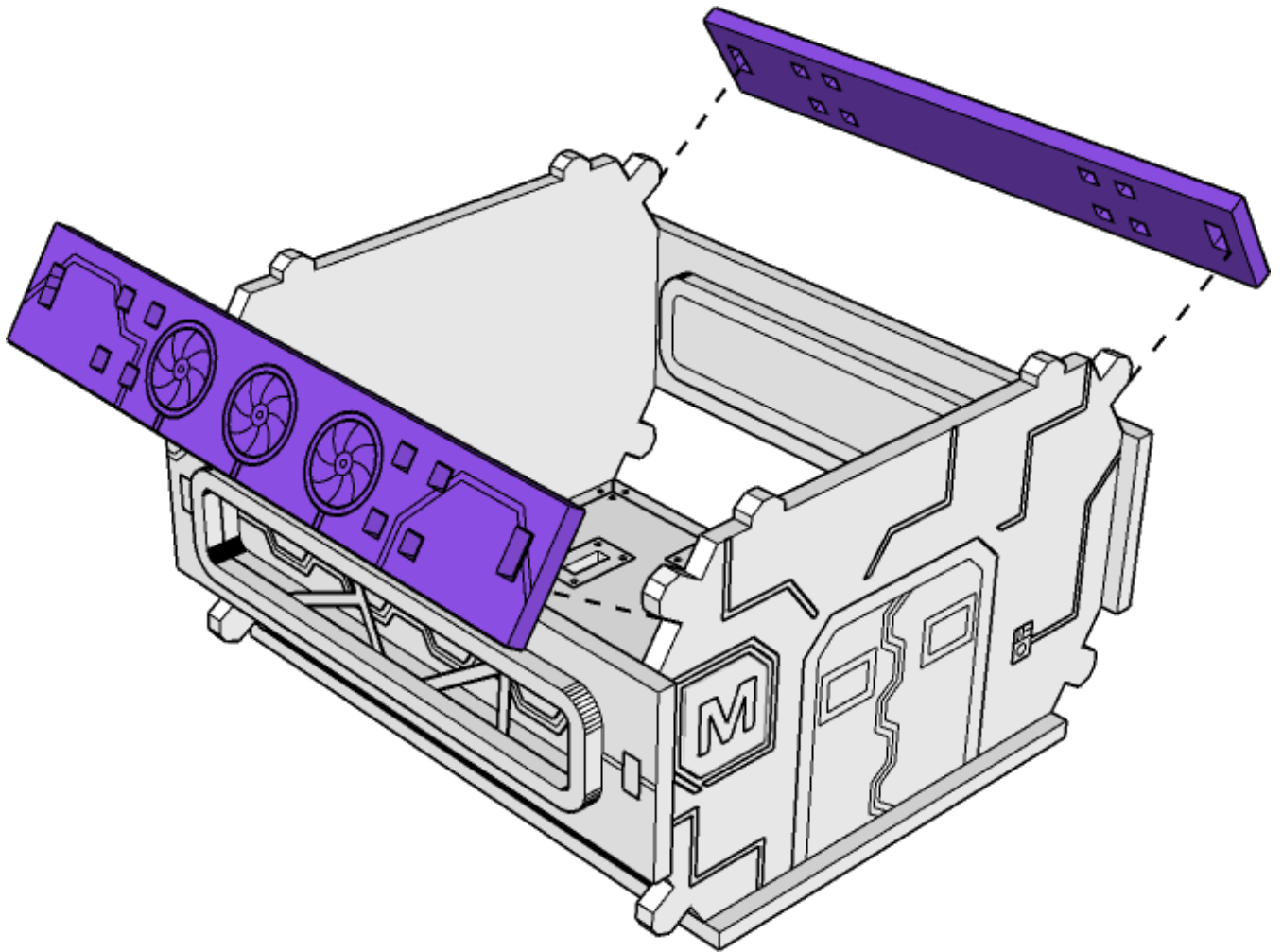


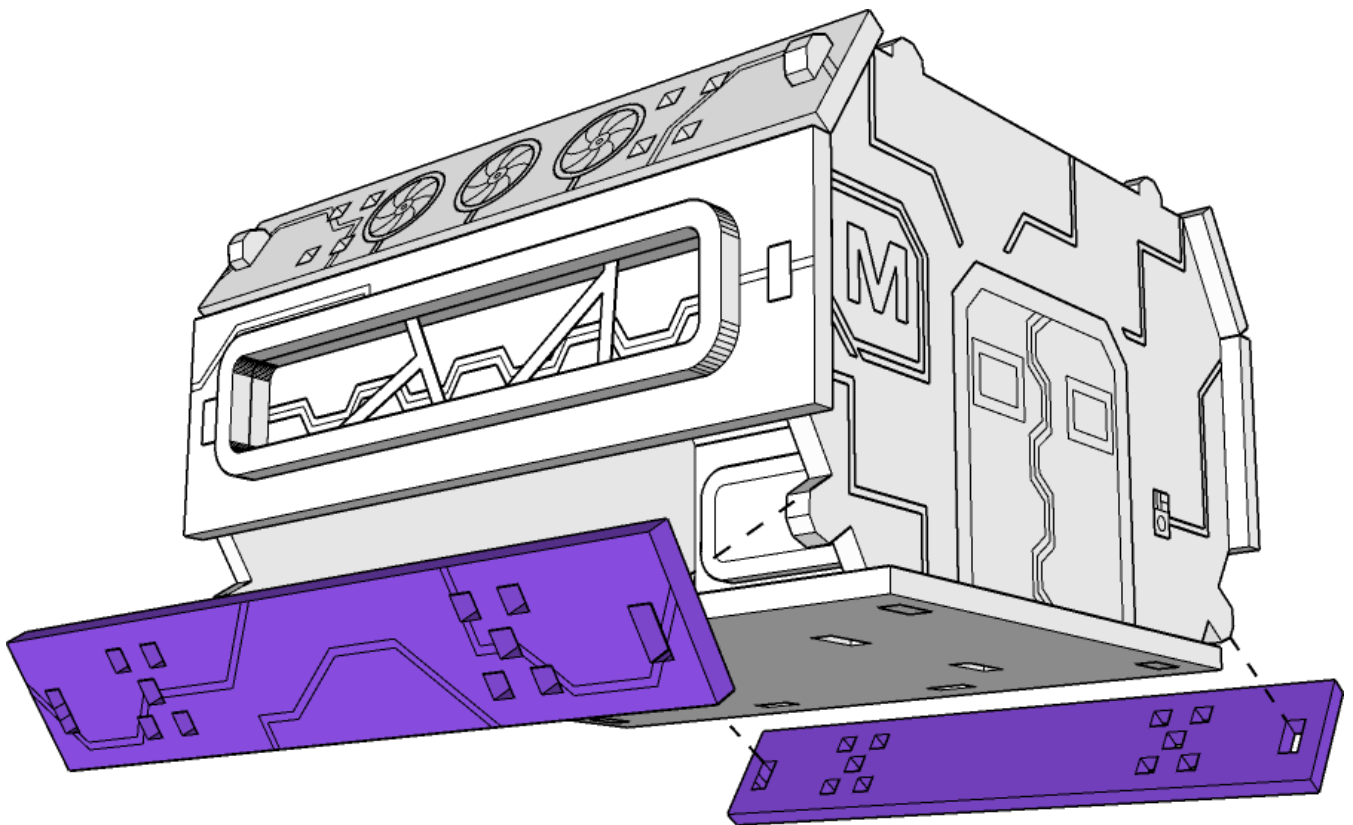


**TABLETOP  
SCENICS**

**TTSCW-SFU-106  
Prefab Chemical Lab**



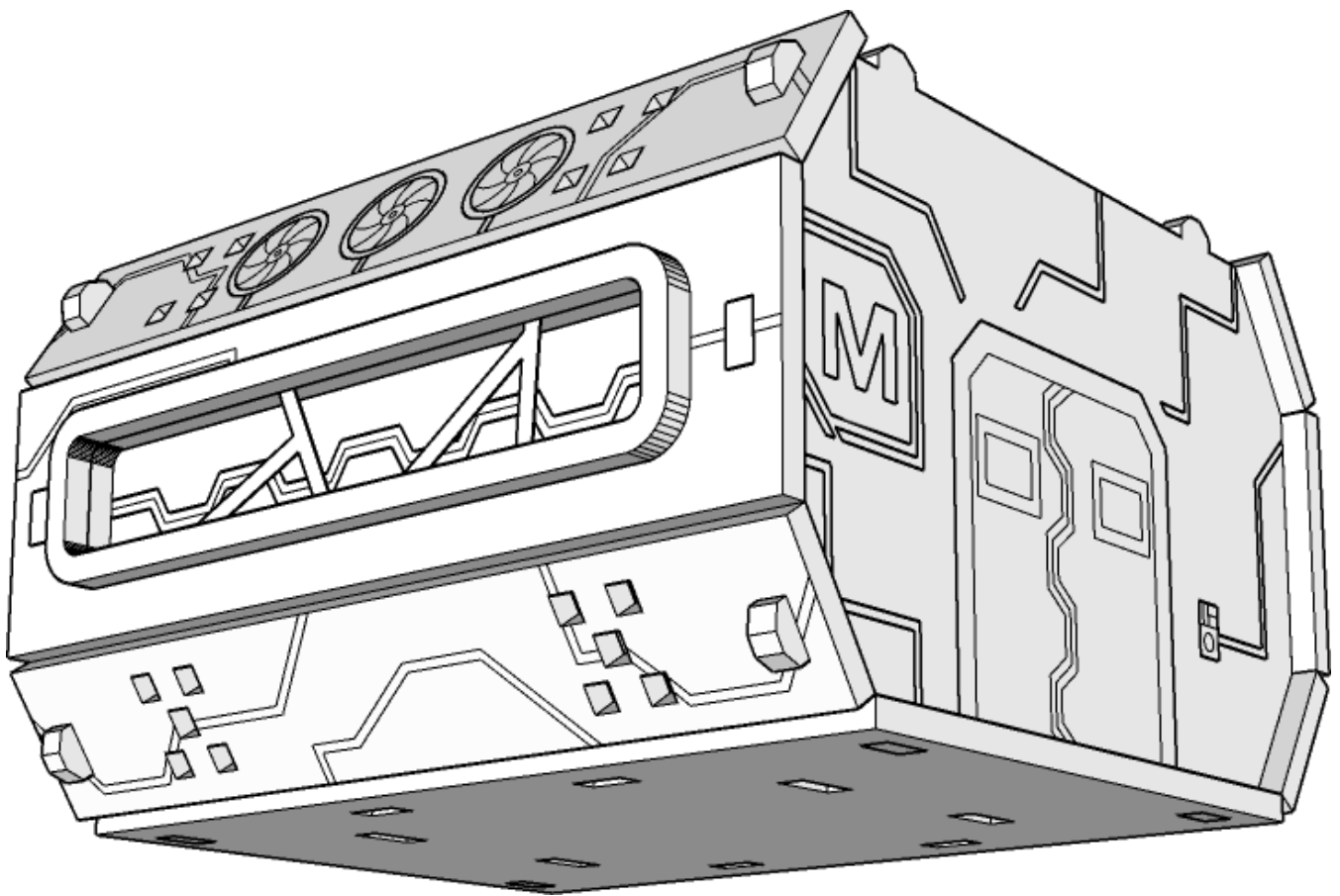


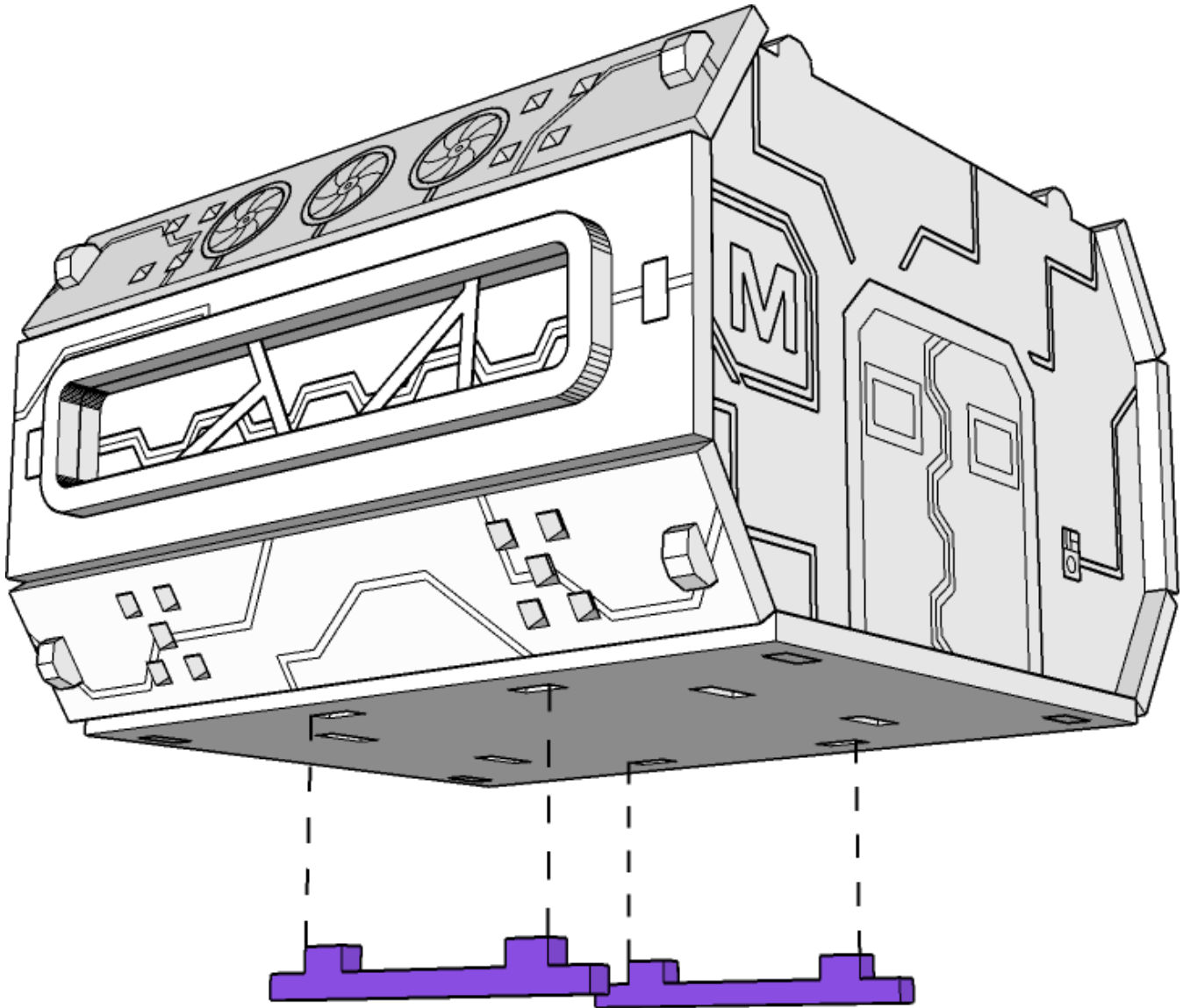




**TABLETOP  
SCENICS**

**TTSCW-SFU-106  
Prefab Chemical Lab**

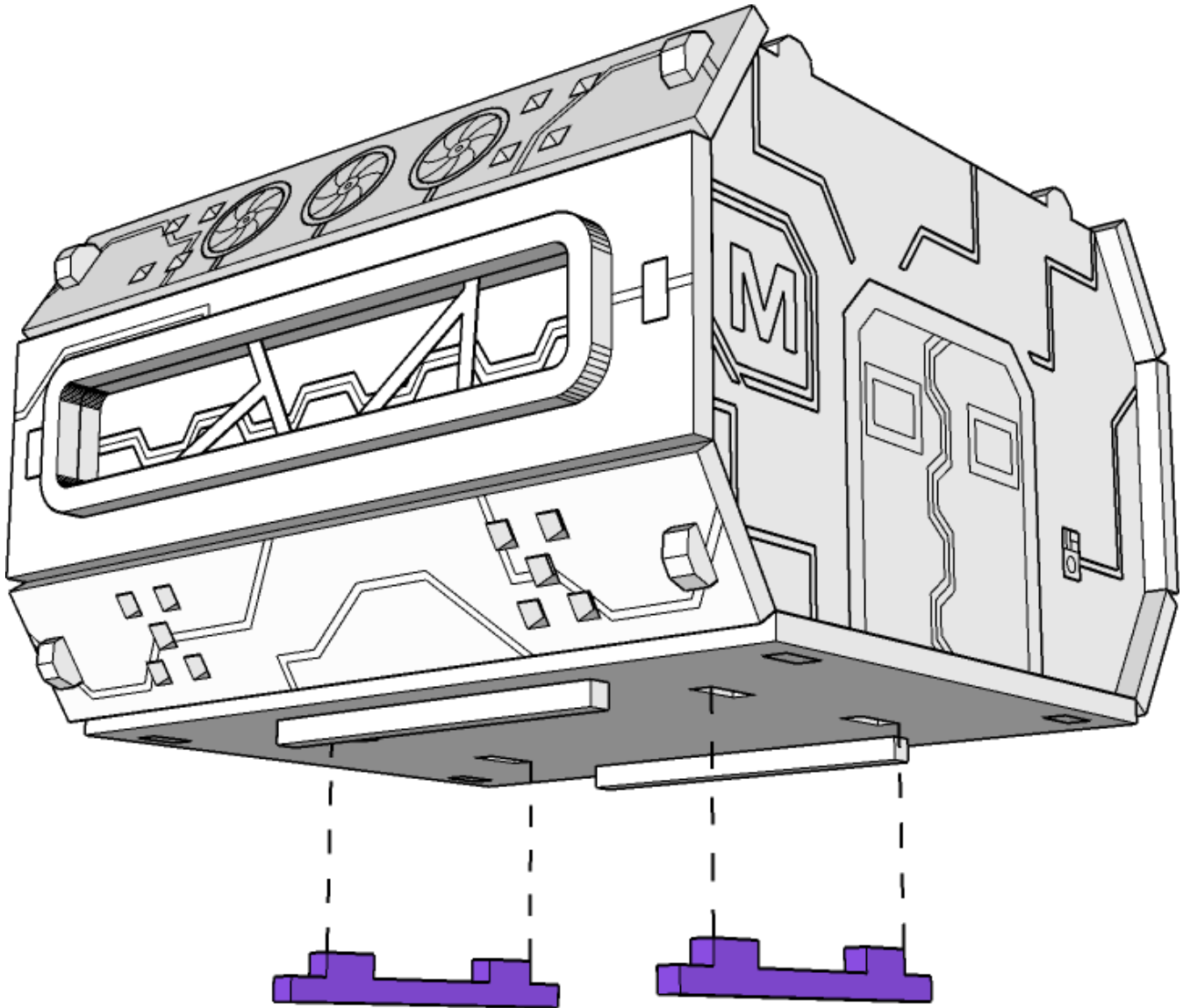


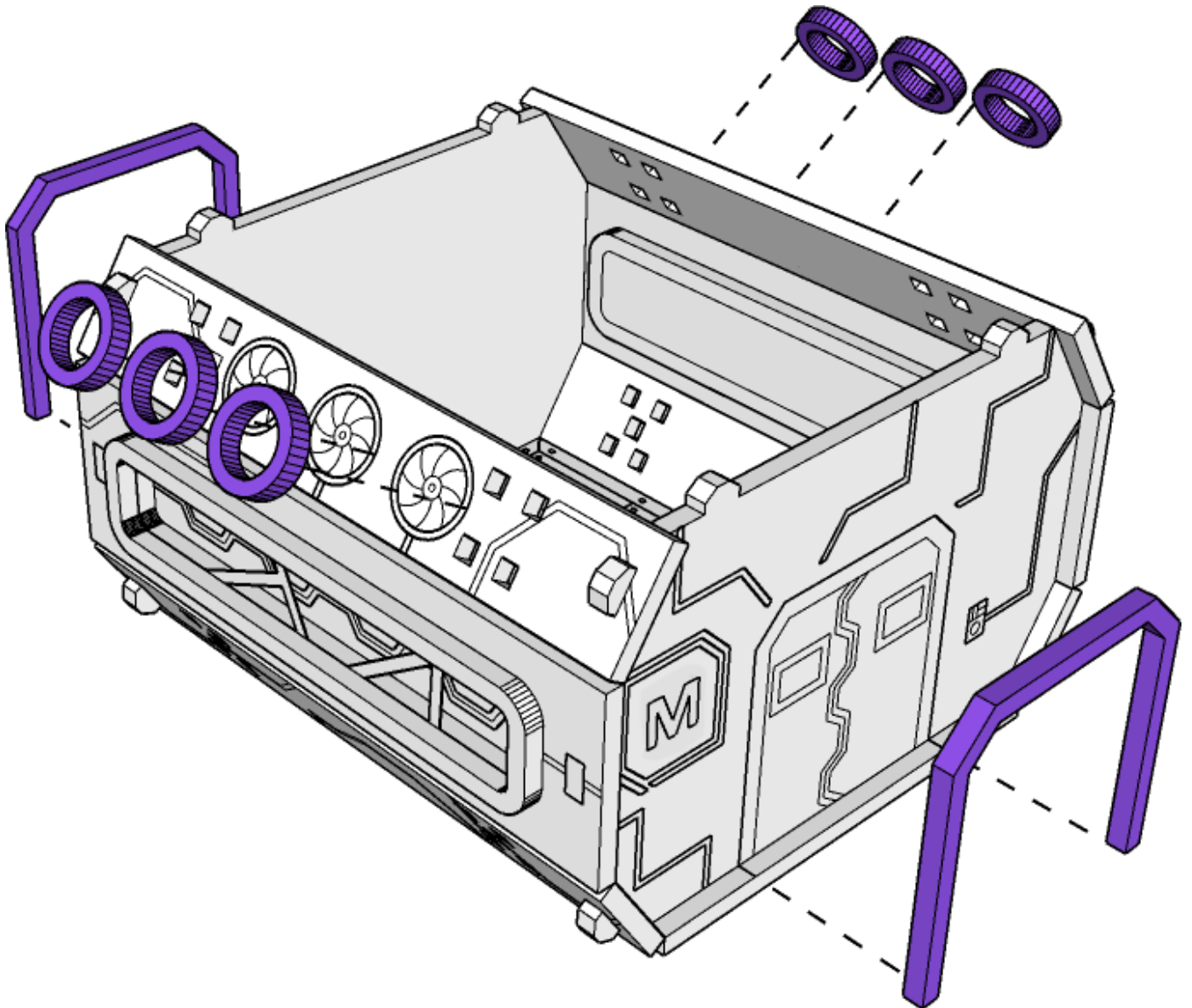




**TABLETOP  
SCENICS**

**TTSCW-SFU-106  
Prefab Chemical Lab**



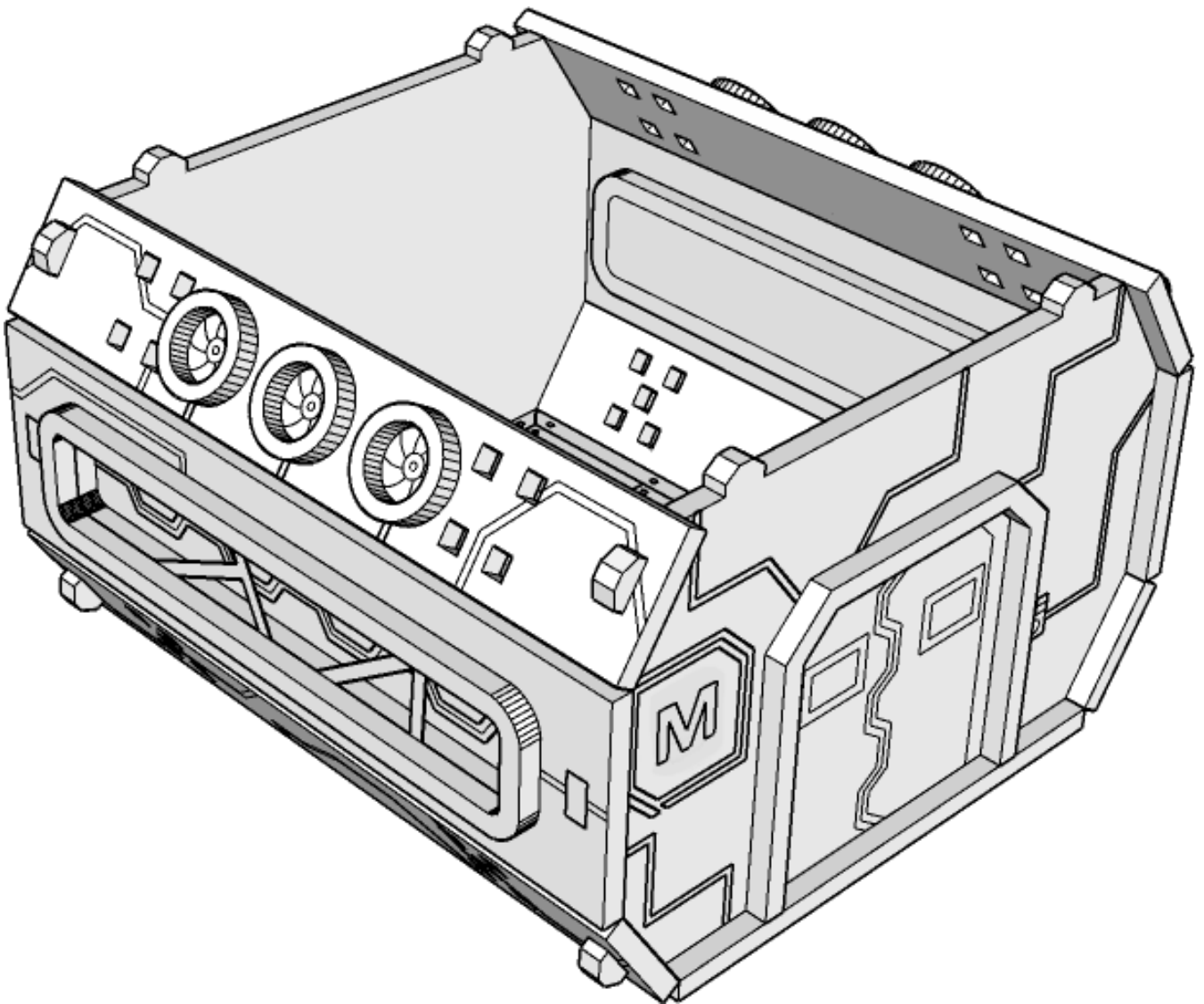




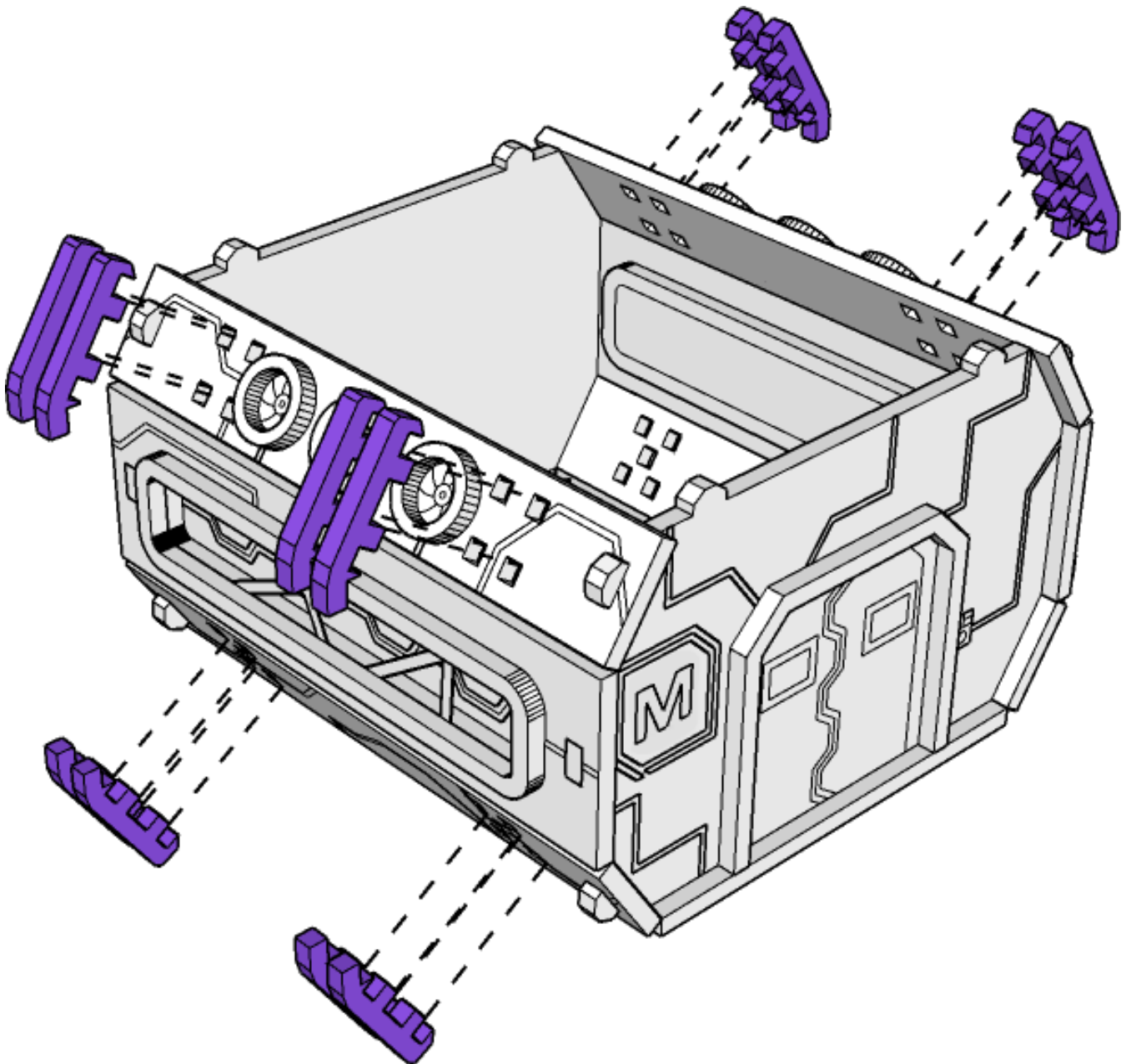


**TABLETOP  
SCENICS**

**TTSCW-SFU-106  
Prefab Chemical Lab**



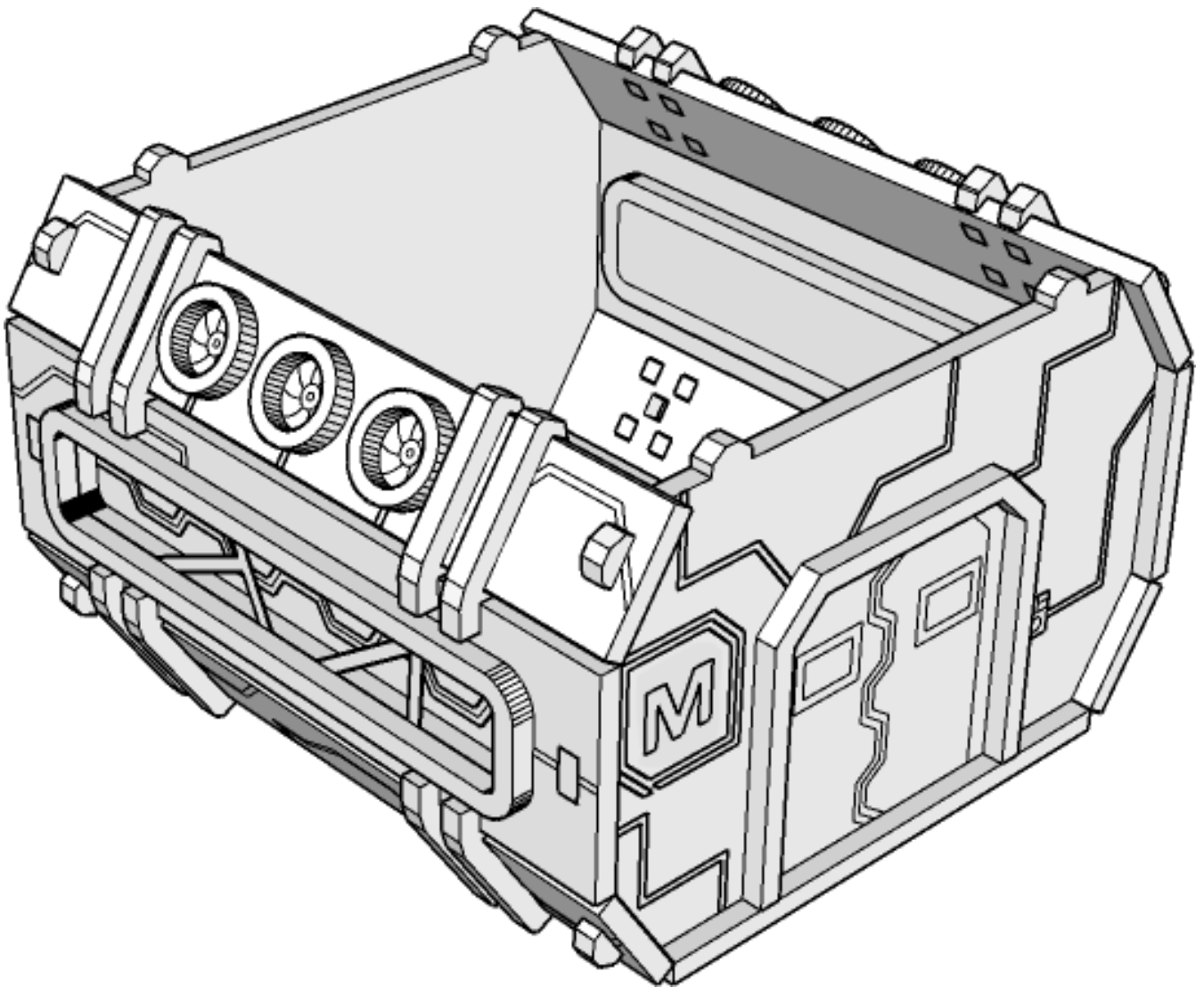






**TABLETOP  
SCENICS**

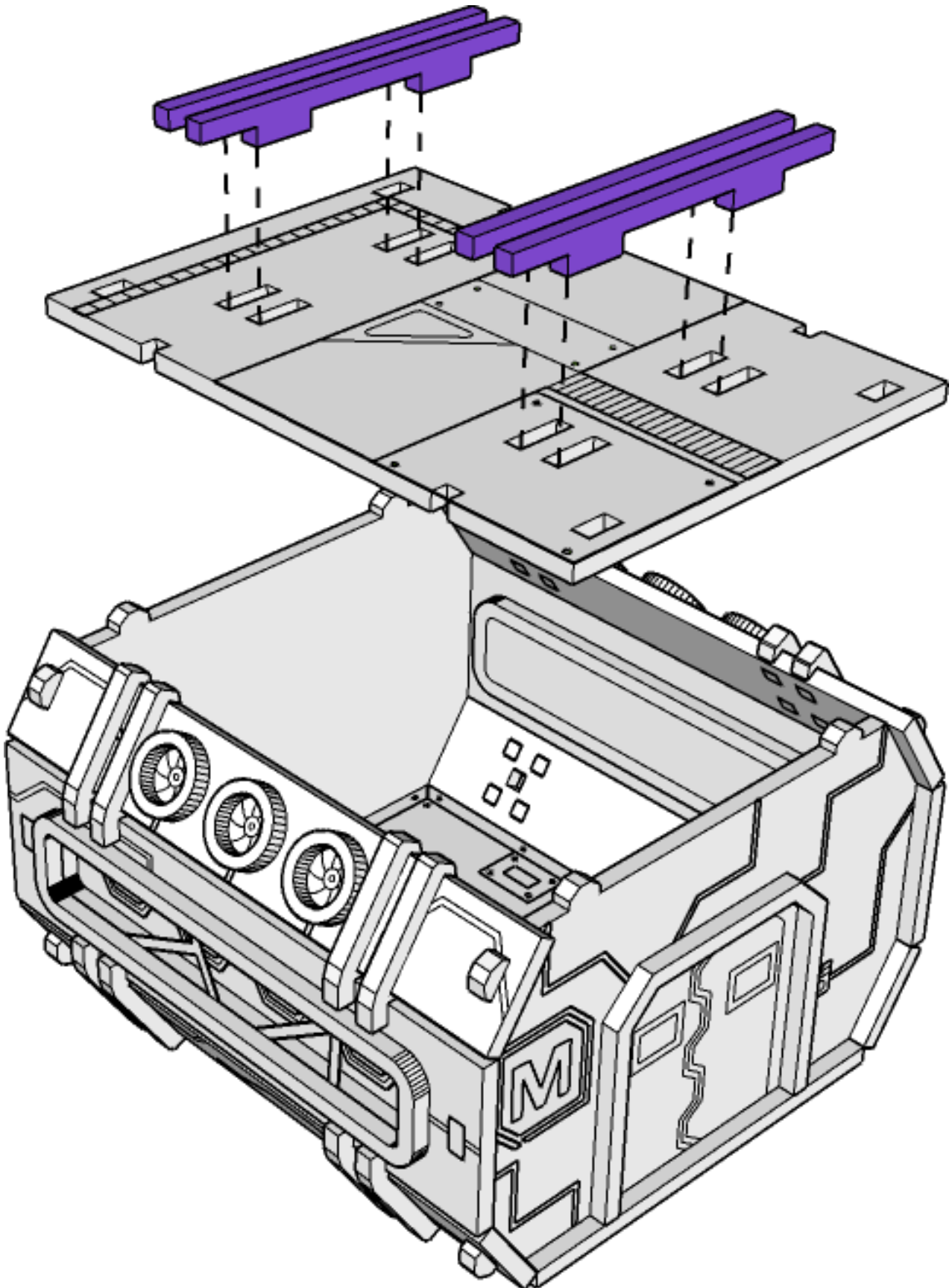
**TTSCW-SFU-106  
Prefab Chemical Lab**





TABLETOP  
**SCENICS**

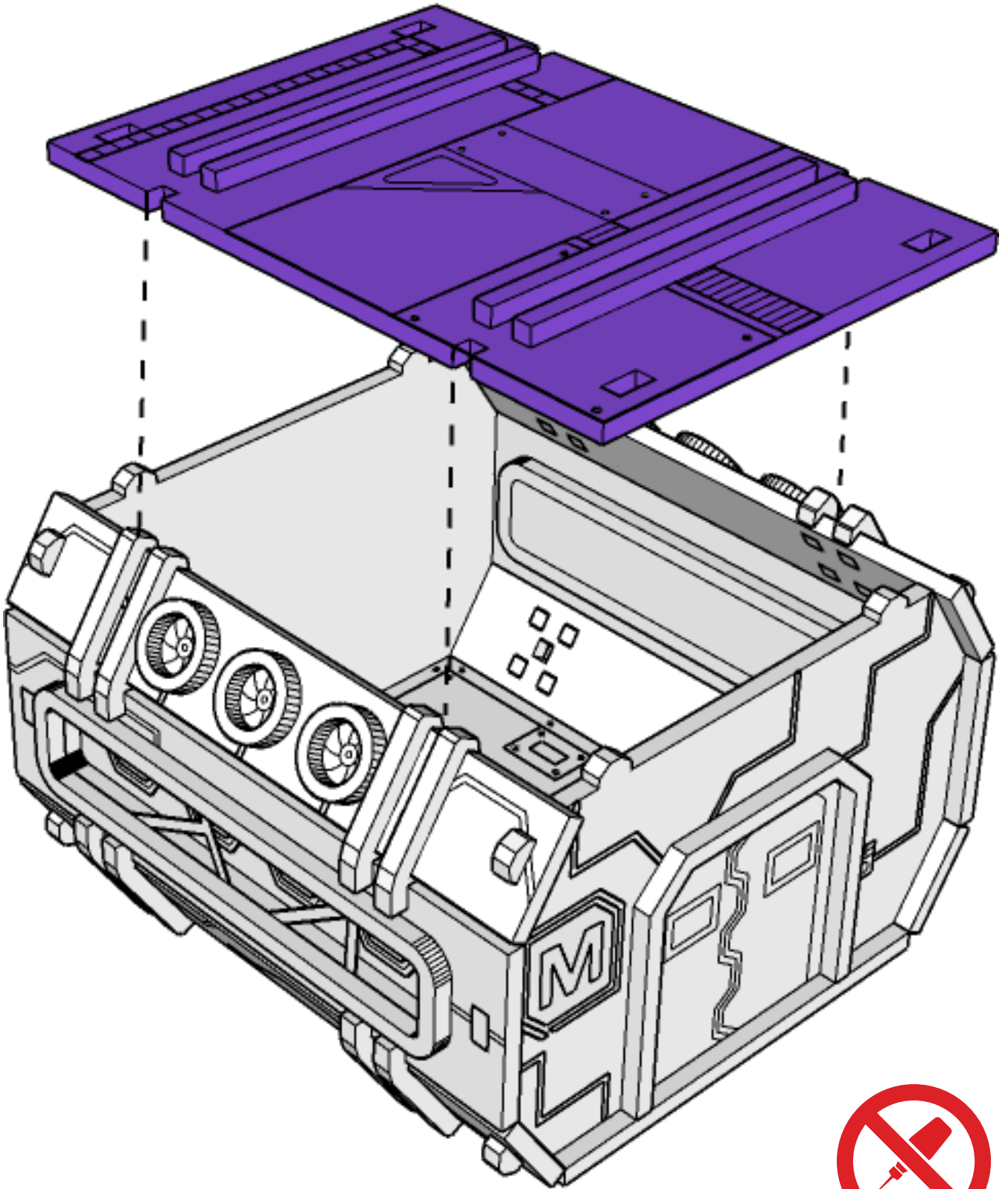
**TTSCW-SFU-106**  
**Prefab Chemical Lab**





**TABLETOP  
SCENICS**

**TTSCW-SFU-106  
Prefab Chemical Lab**



**160**

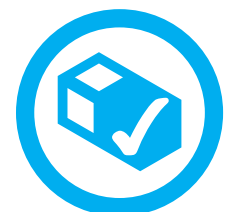
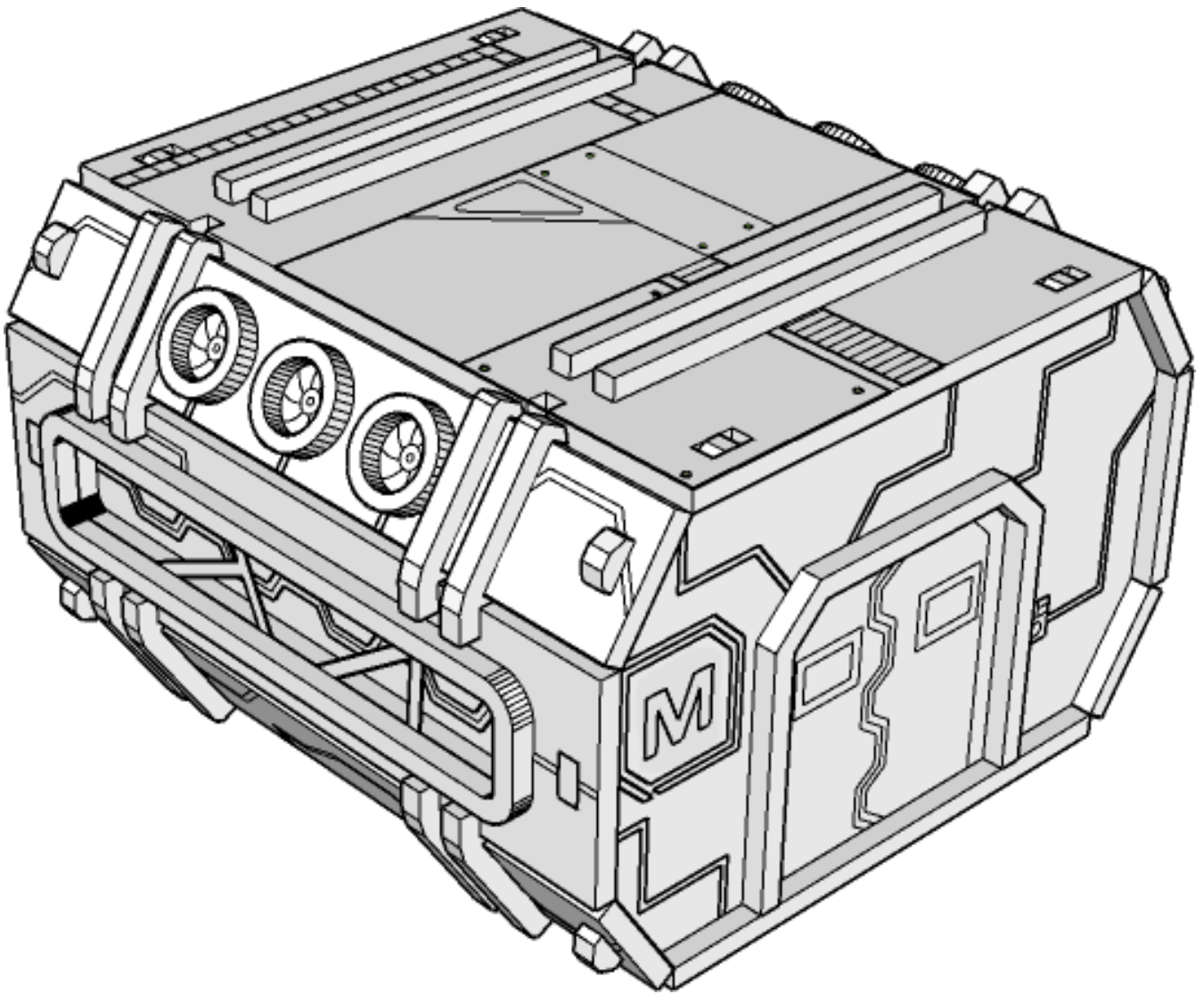
 **TTCOMBAT**





**TABLETOP  
SCENICS**

**TTSCW-SFU-106  
Prefab Chemical Lab**



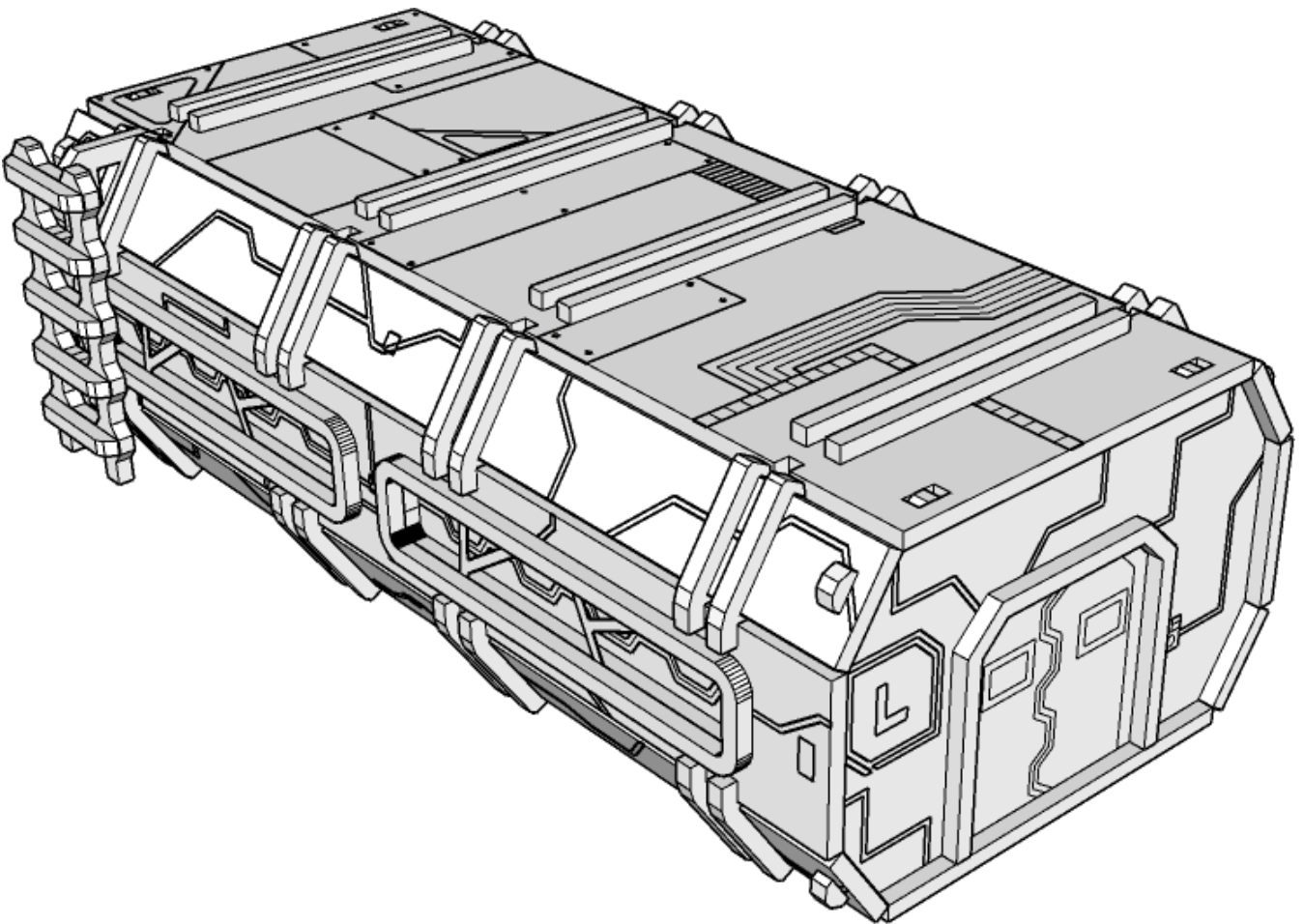
**161**

 **TTCOMBAT**



**TABLETOP  
SCENICS**

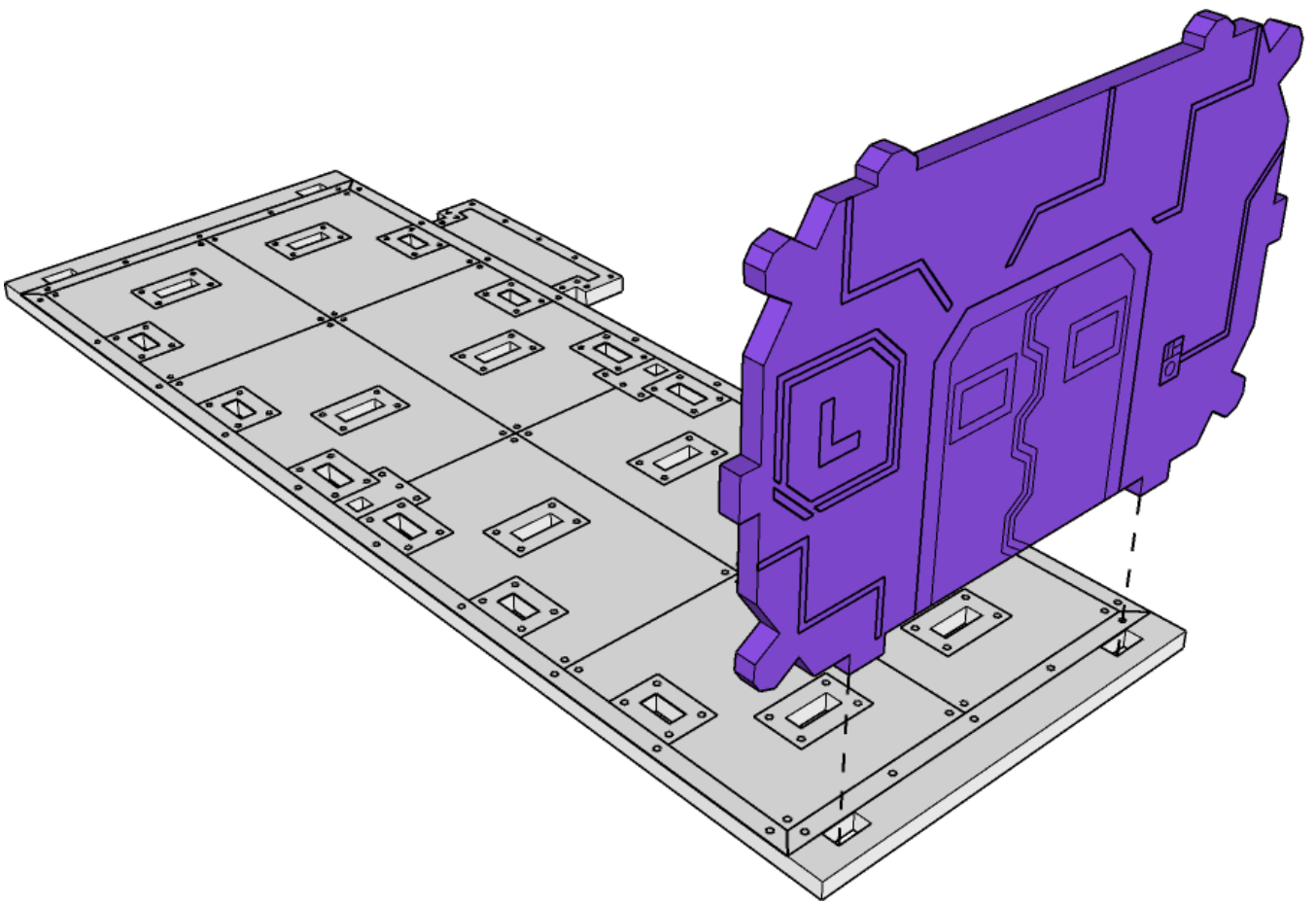
**TTSCW-SFU-106  
Prefab Chemical Lab**





**TABLETOP  
SCENICS**

**TTSCW-SFU-106  
Prefab Chemical Lab**

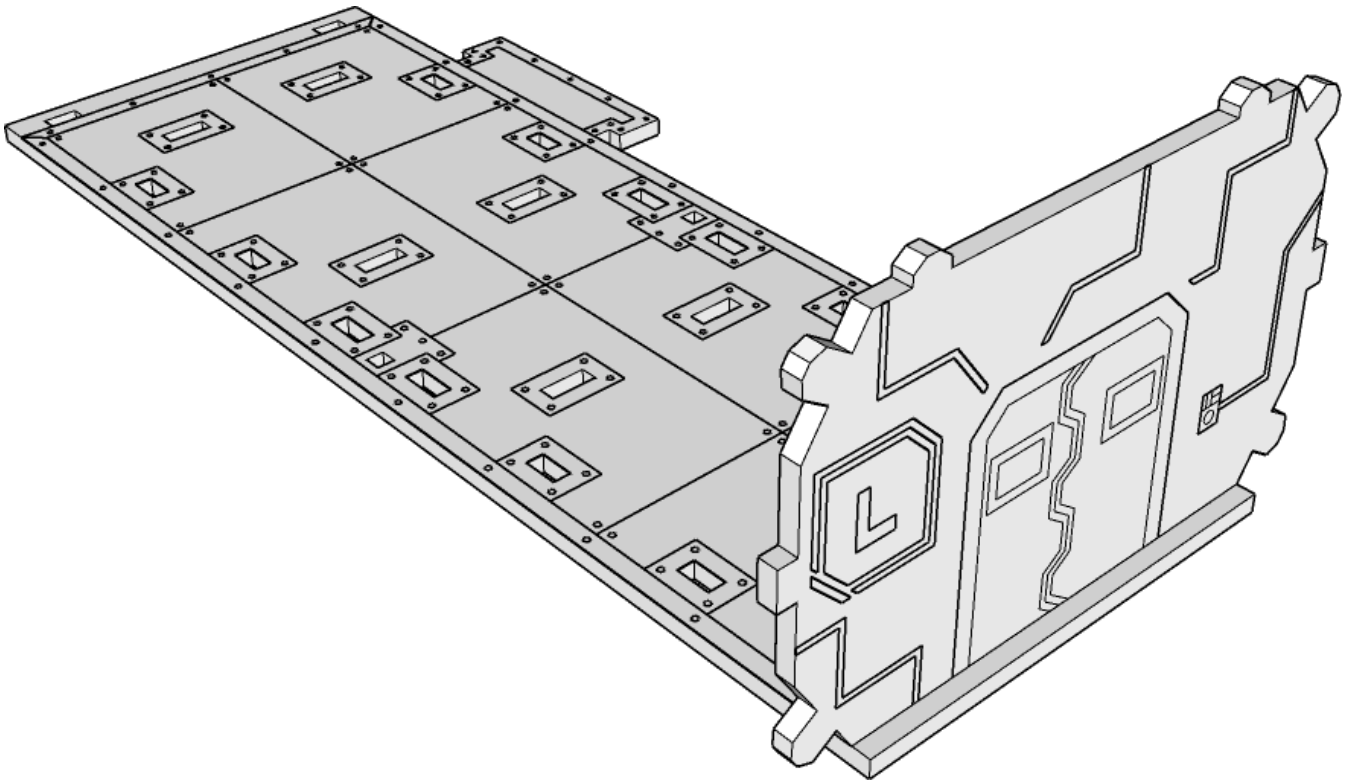






**TABLETOP  
SCENICS**

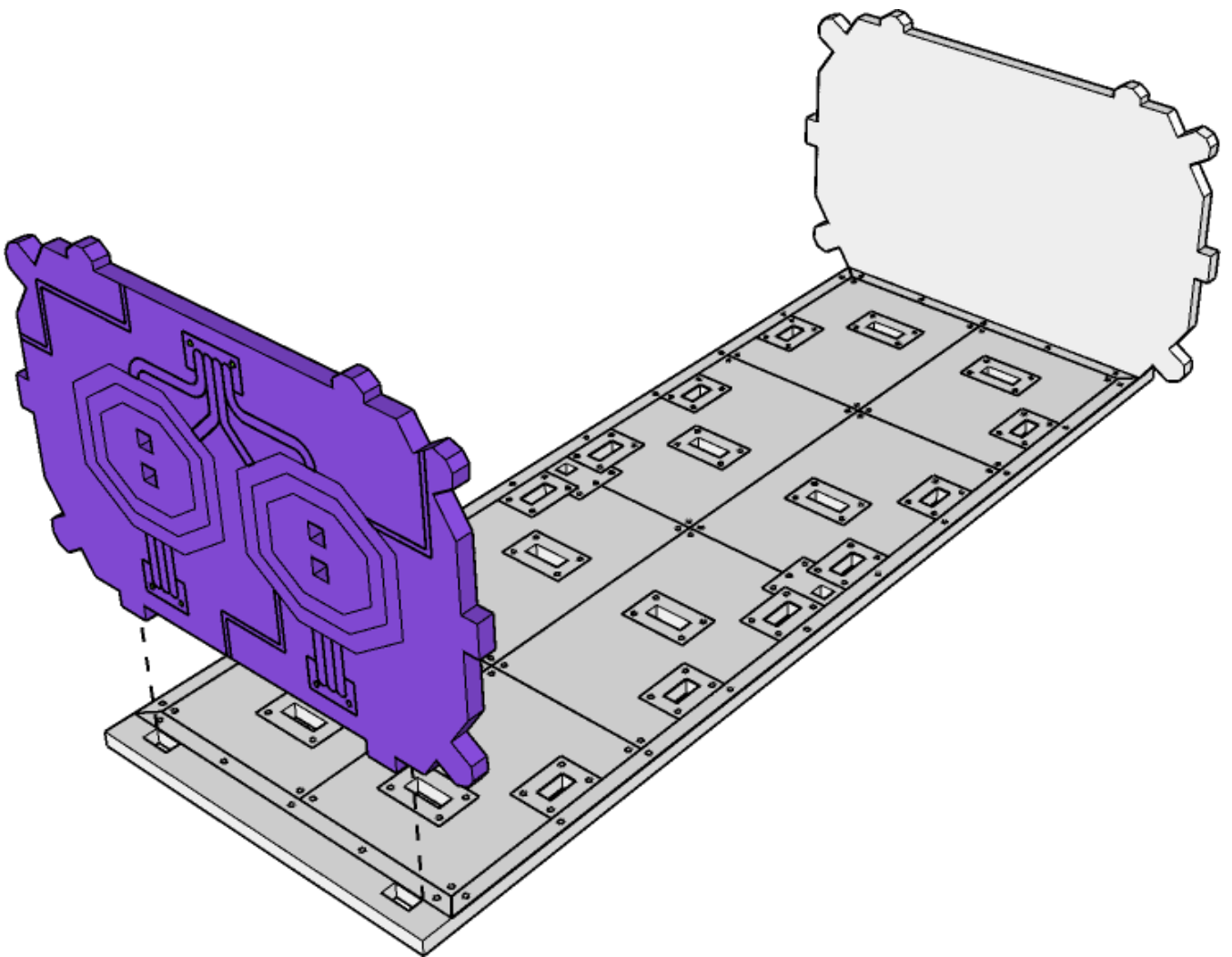
**TTSCW-SFU-106  
Prefab Chemical Lab**





**TABLETOP  
SCENICS**

**TTSCW-SFU-106  
Prefab Chemical Lab**



**165**

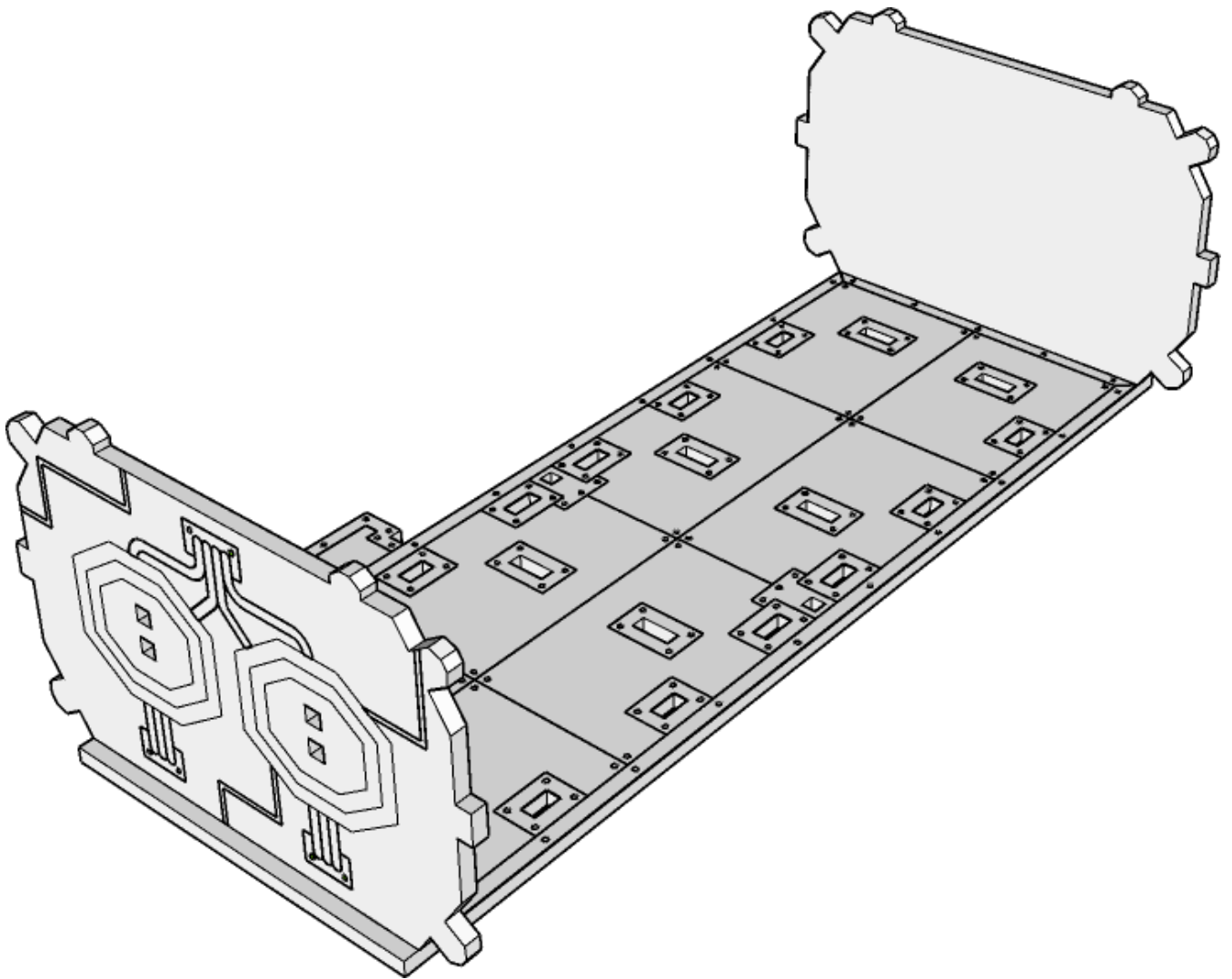


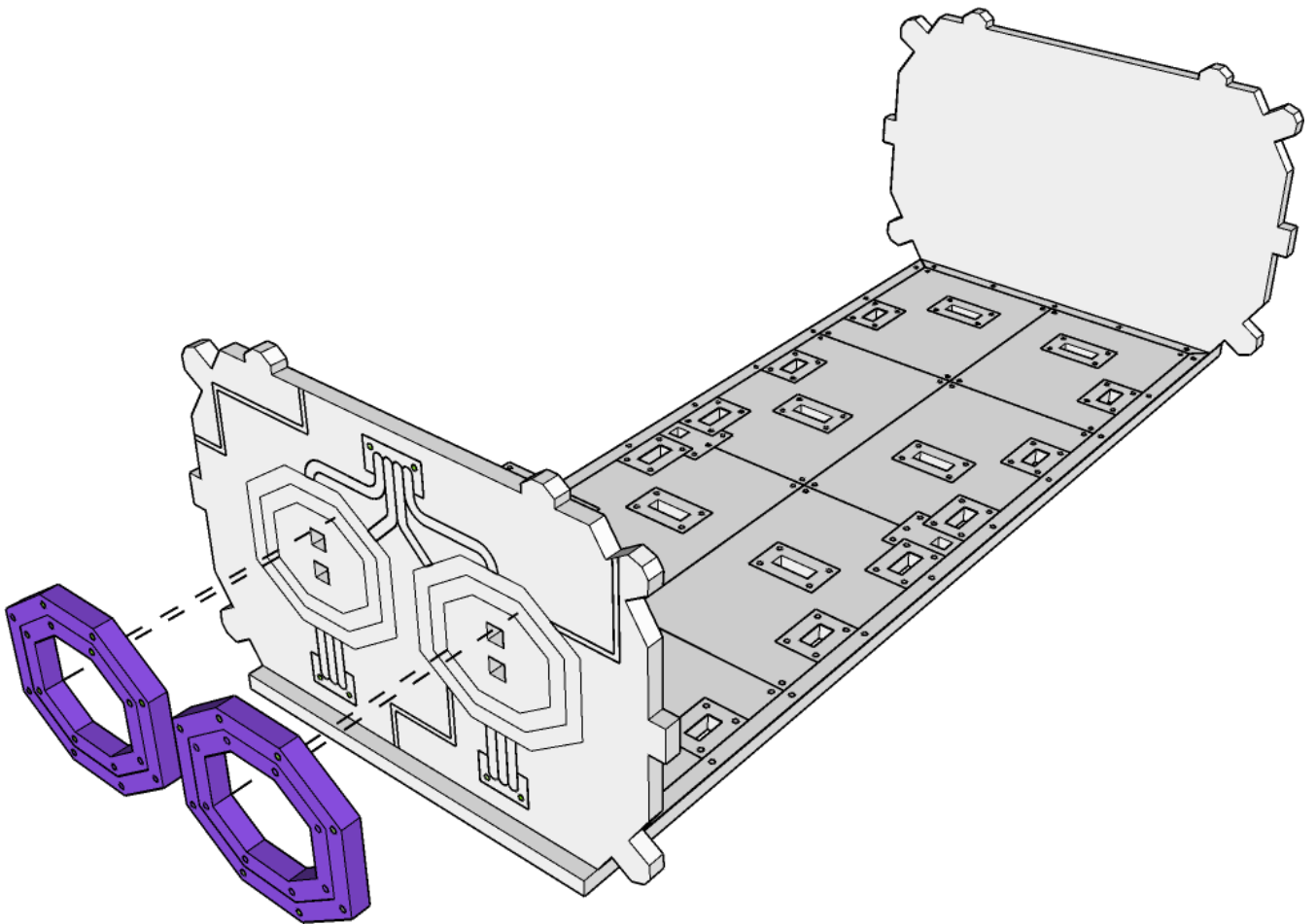
 **TTCOMBAT**



**TABLETOP  
SCENICS**

**TTSCW-SFU-106  
Prefab Chemical Lab**

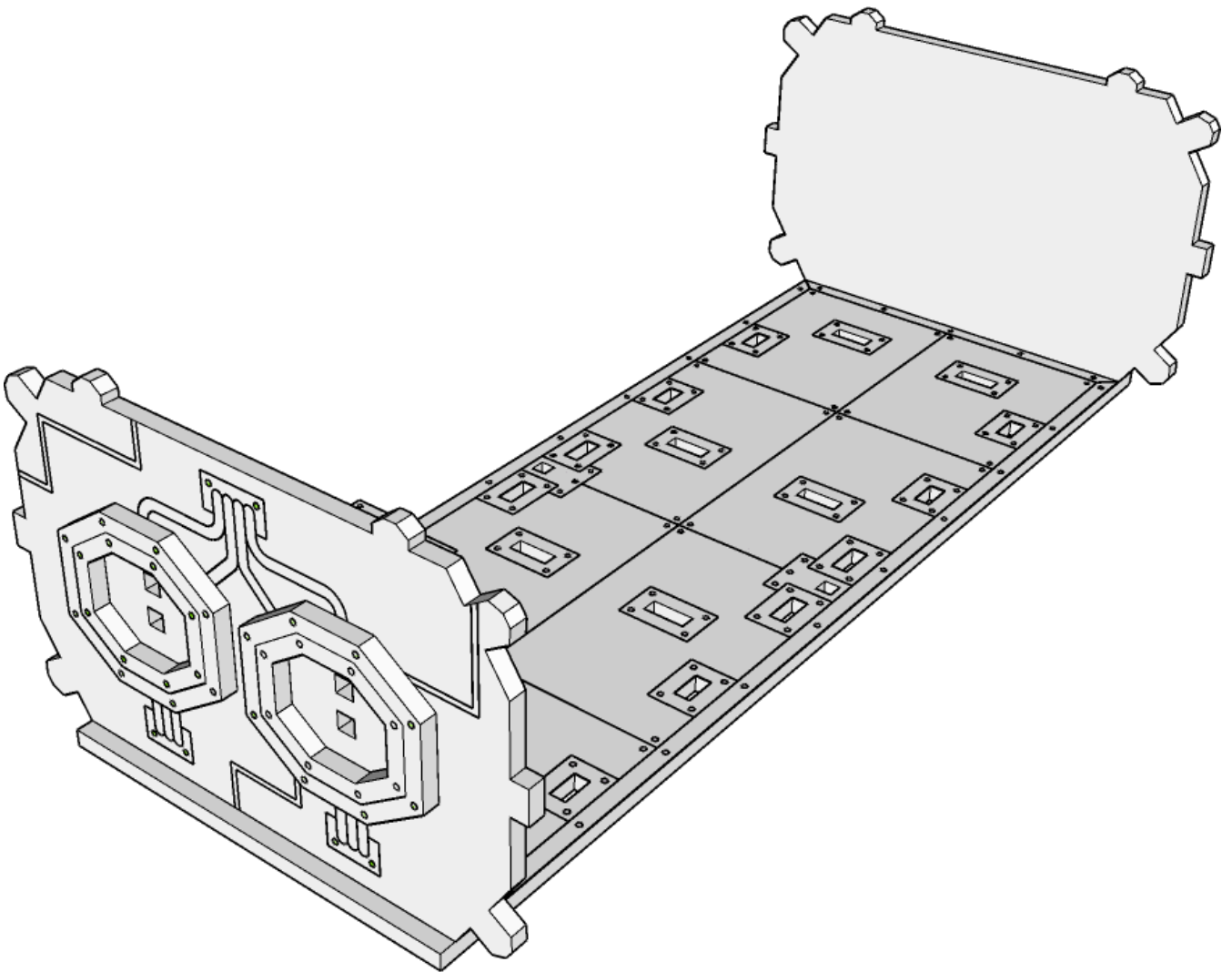






**TABLETOP  
SCENICS**

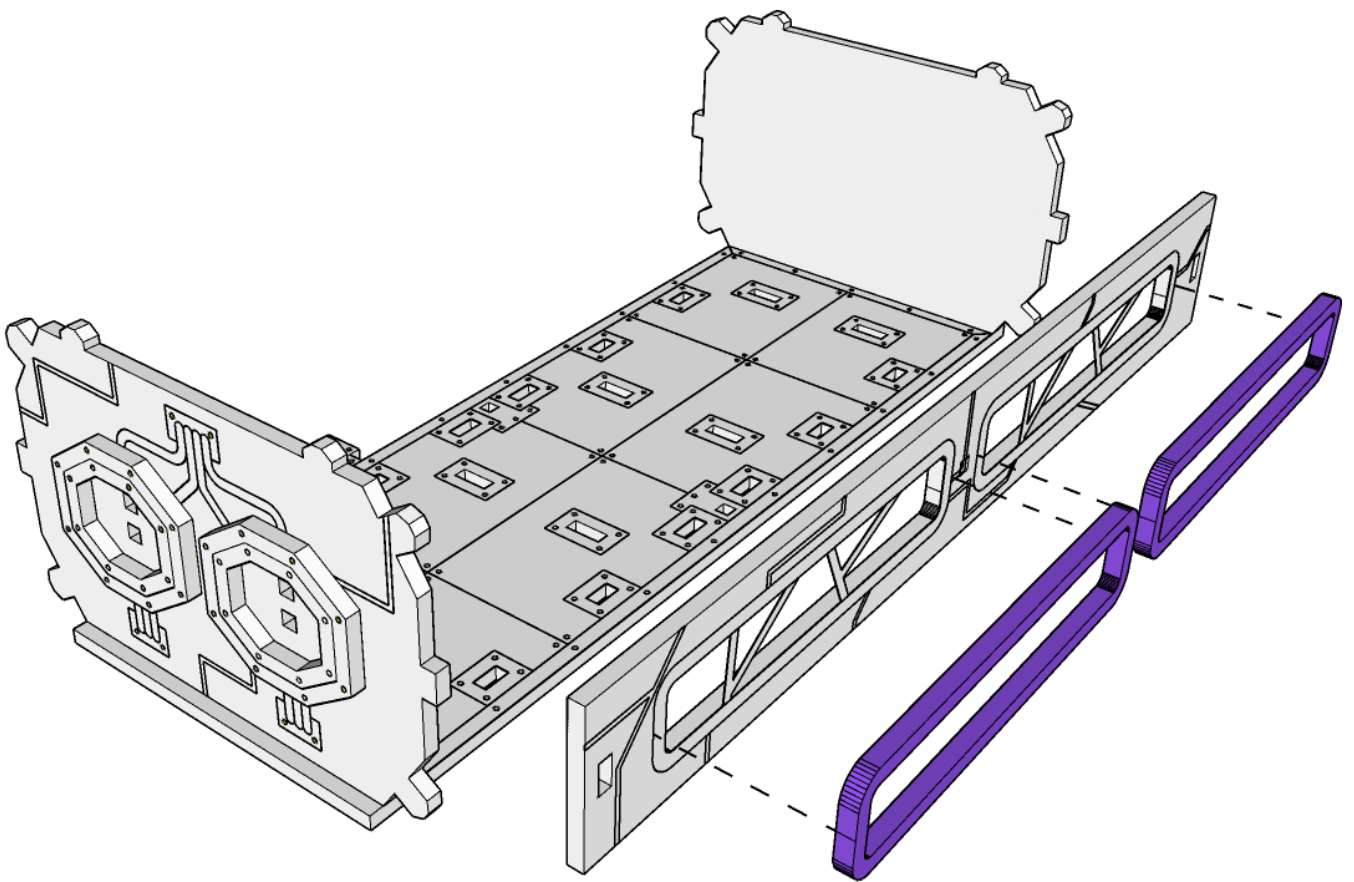
**TTSCW-SFU-106  
Prefab Chemical Lab**





**TABLETOP  
SCENICS**

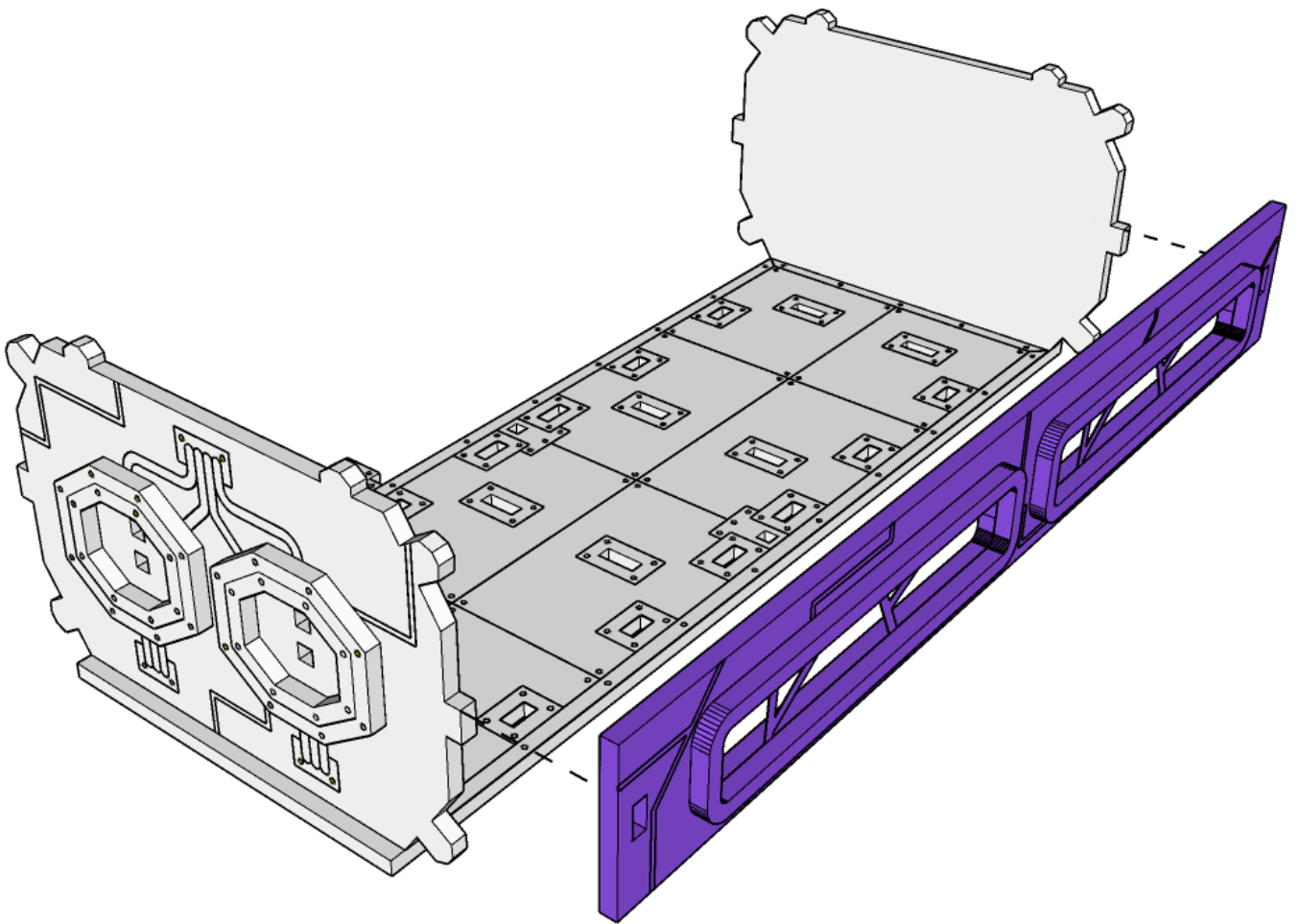
**TTSCW-SFU-106  
Prefab Chemical Lab**





**TABLETOP  
SCENICS**

**TTSCW-SFU-106  
Prefab Chemical Lab**

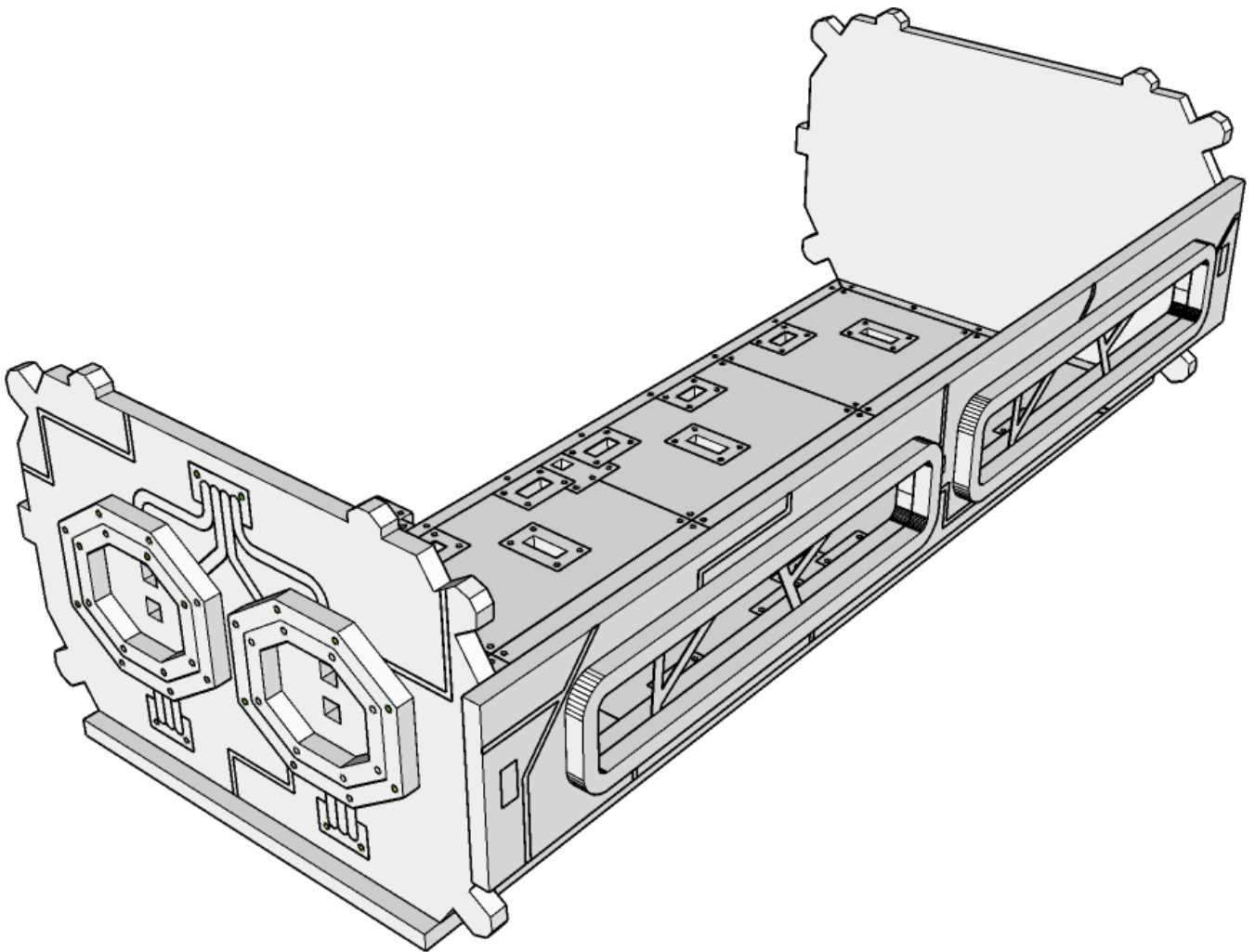






**TABLETOP  
SCENICS**

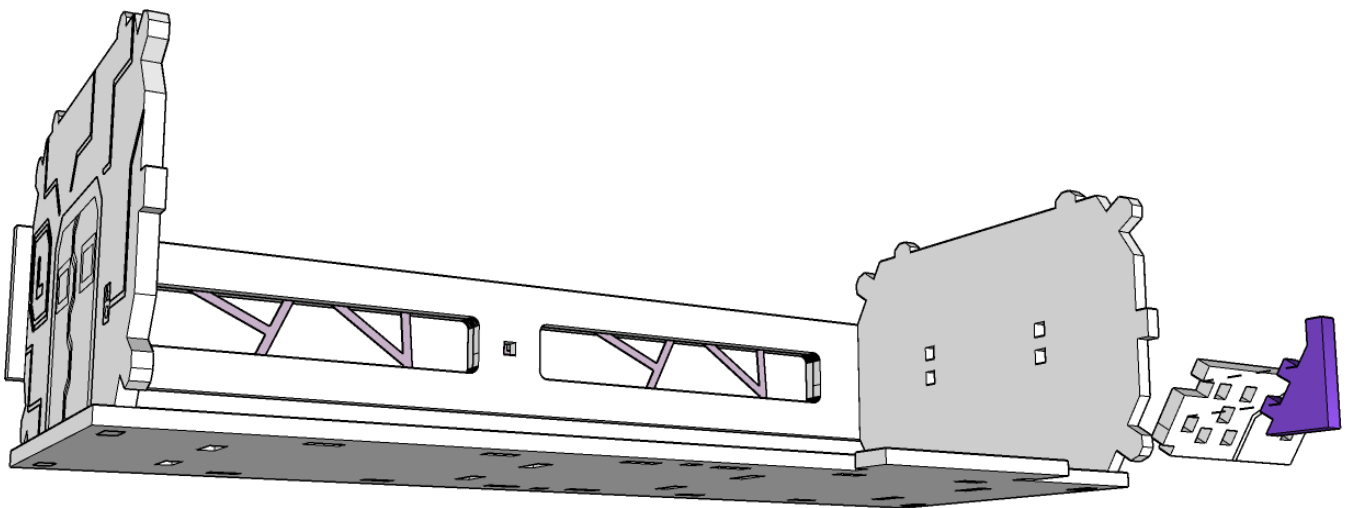
**TTSCW-SFU-106  
Prefab Chemical Lab**

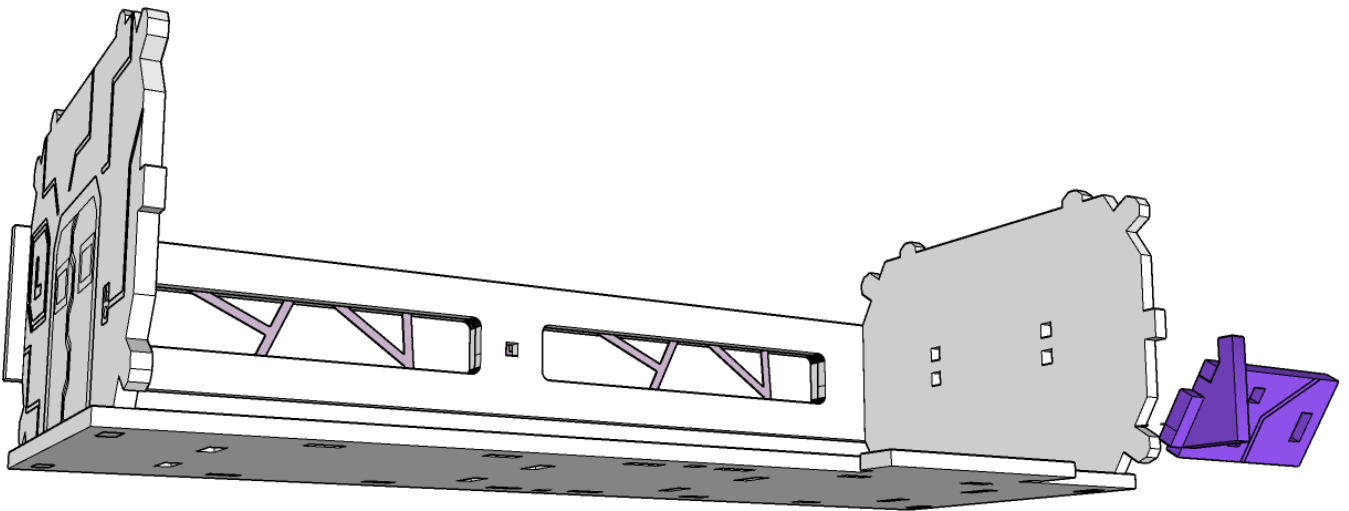




**TABLETOP  
SCENICS**

**TTSCW-SFU-106  
Prefab Chemical Lab**

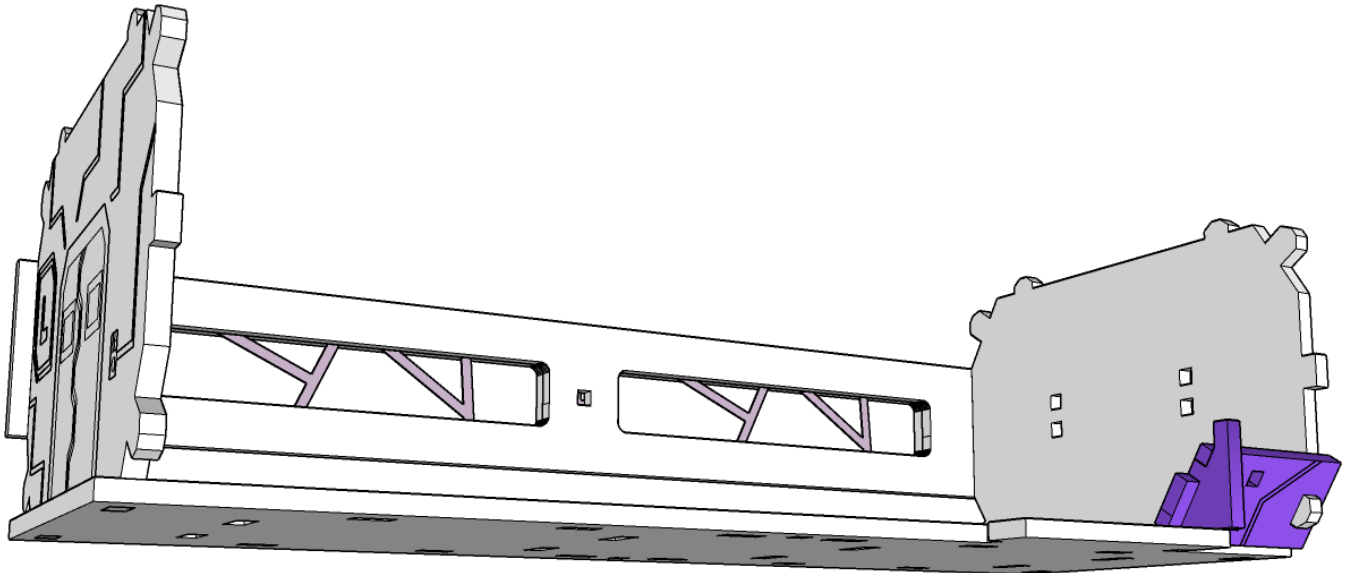






**TABLETOP  
SCENICS**

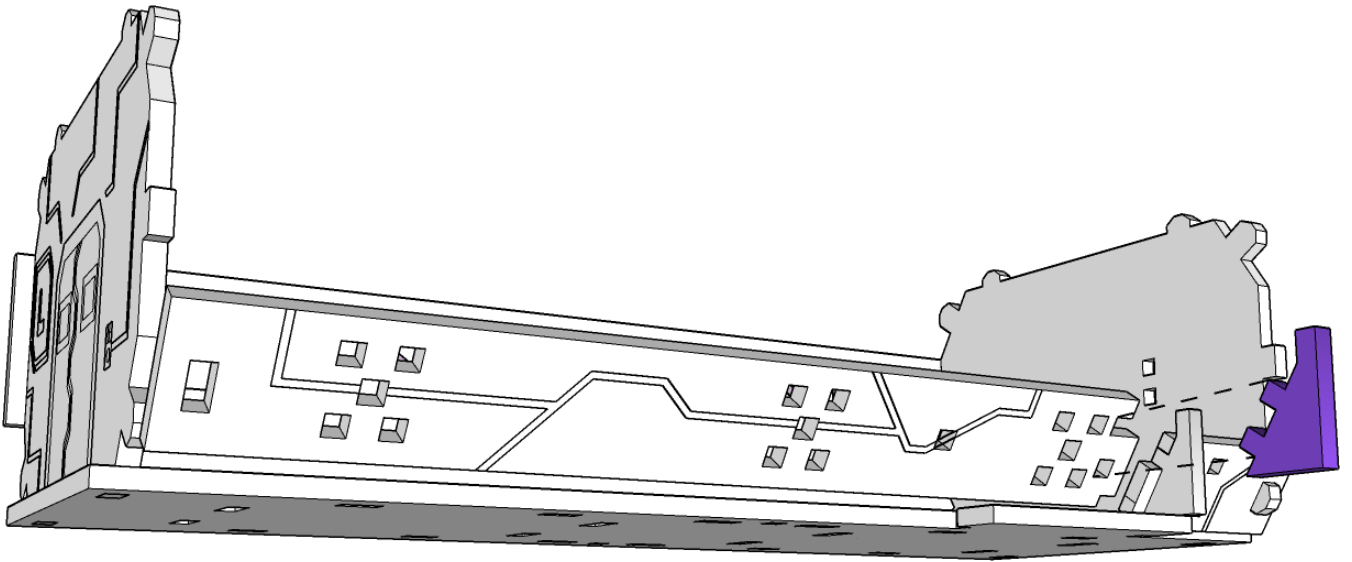
**TTSCW-SFU-106  
Prefab Chemical Lab**





**TABLETOP  
SCENICS**

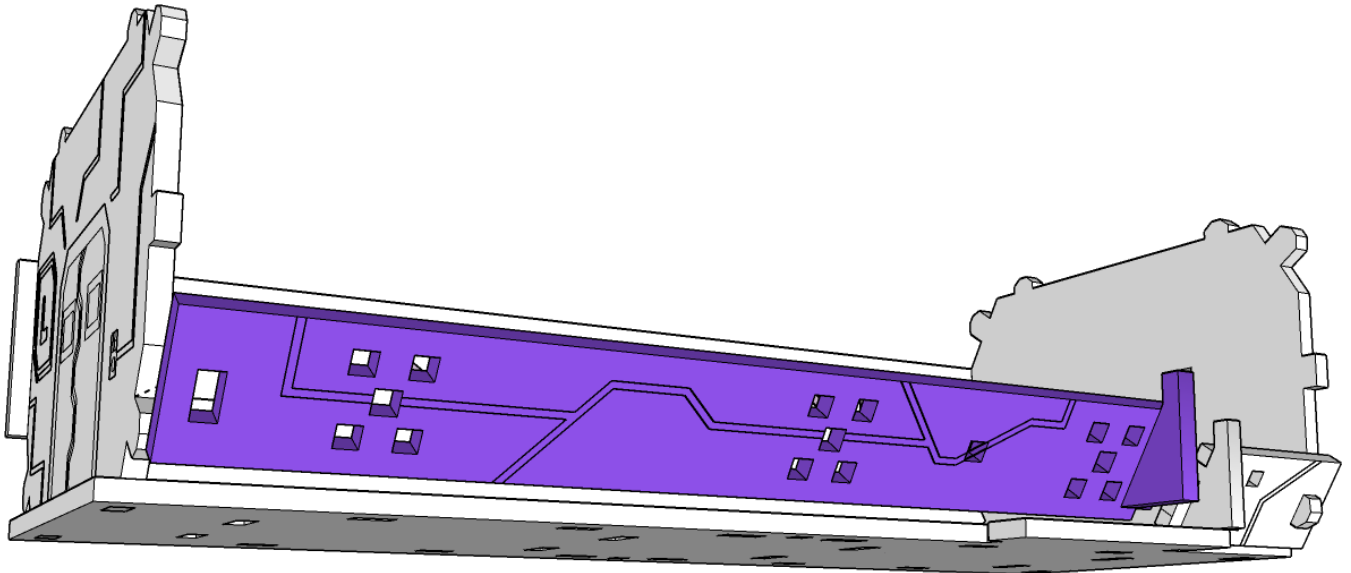
**TTSCW-SFU-106  
Prefab Chemical Lab**





**TABLETOP  
SCENICS**

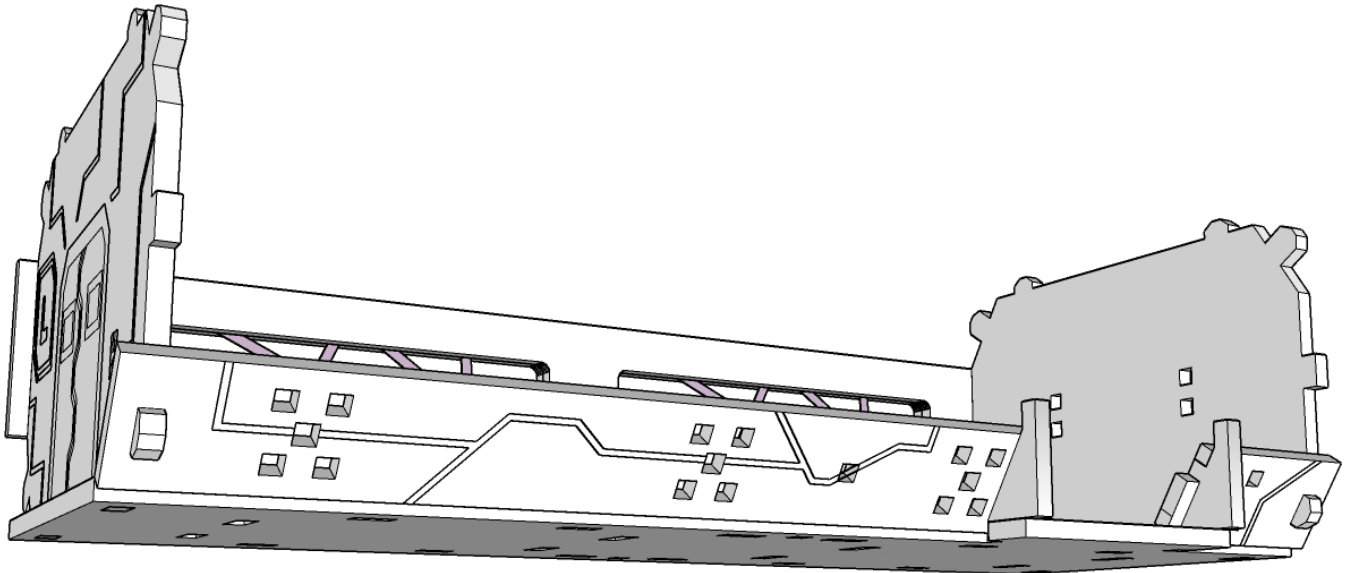
**TTSCW-SFU-106  
Prefab Chemical Lab**





**TABLETOP  
SCENICS**

**TTSCW-SFU-106  
Prefab Chemical Lab**

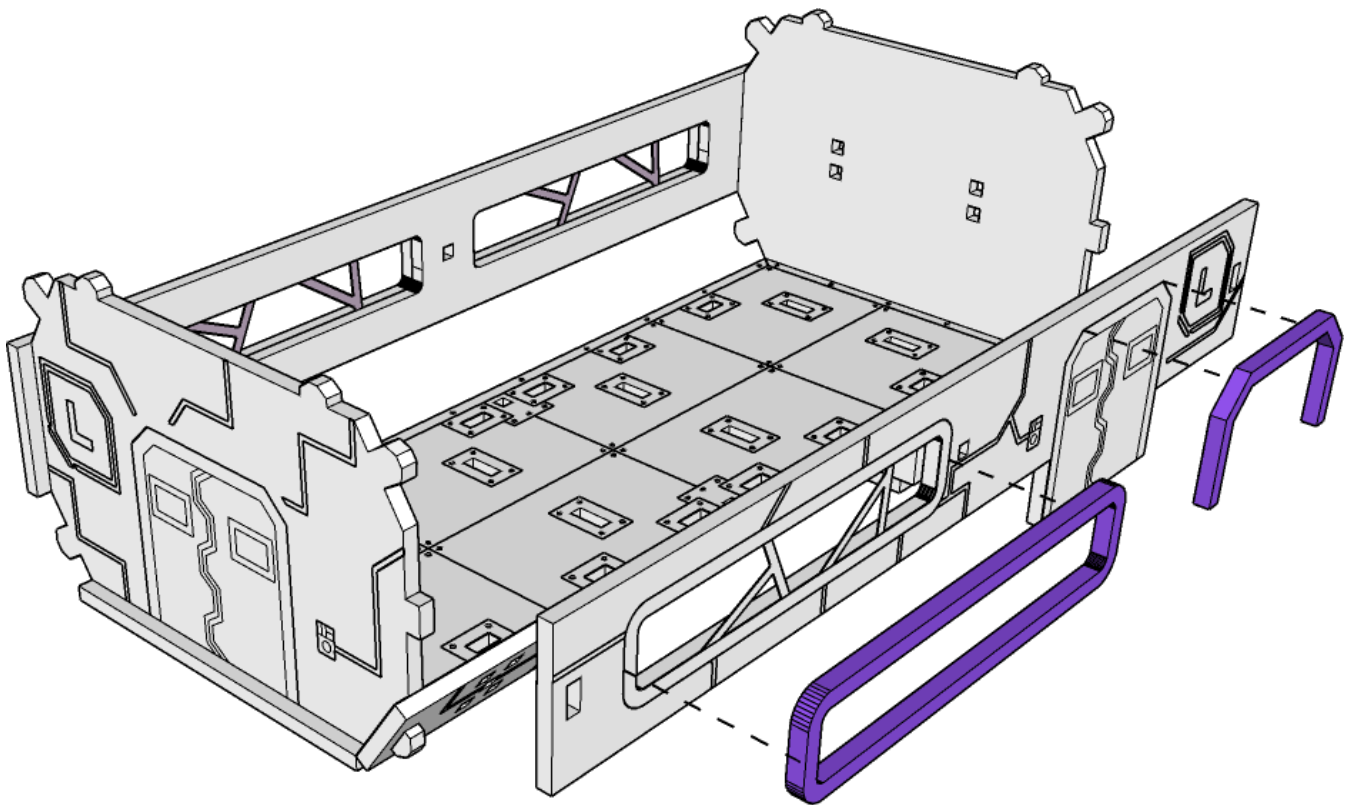






**TABLETOP  
SCENICS**

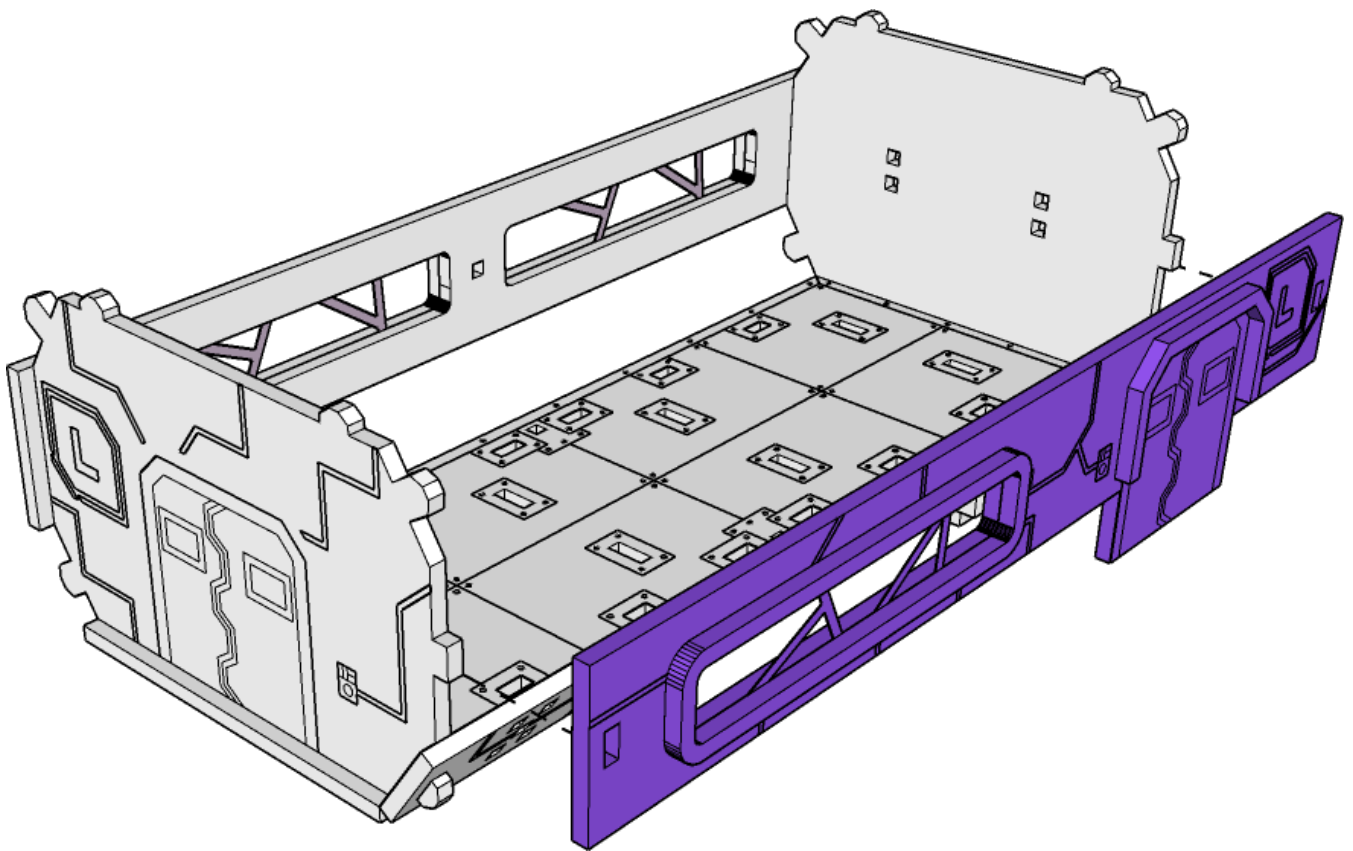
**TTSCW-SFU-106  
Prefab Chemical Lab**





**TABLETOP  
SCENICS**

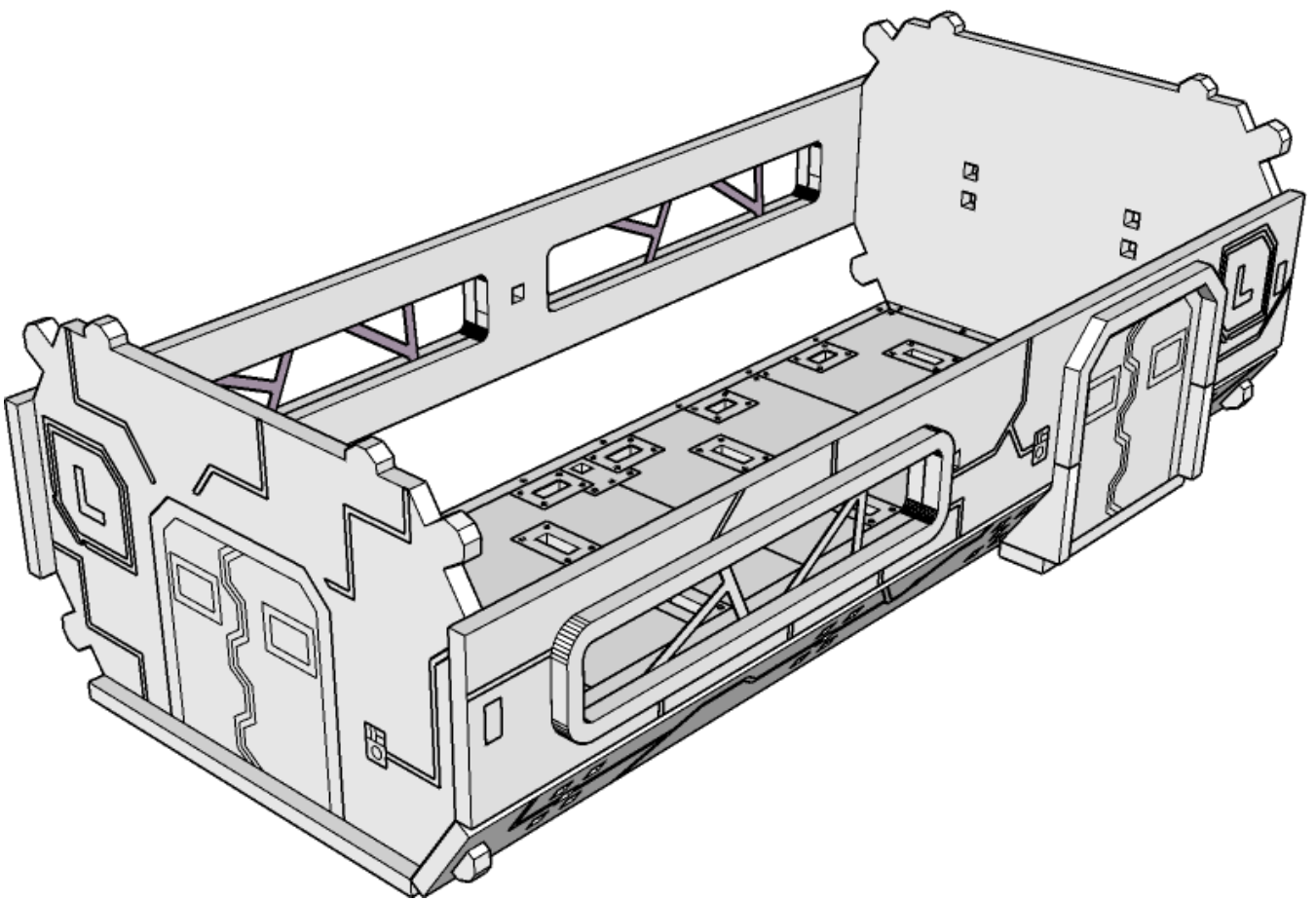
**TTSCW-SFU-106  
Prefab Chemical Lab**





**TABLETOP  
SCENICS**

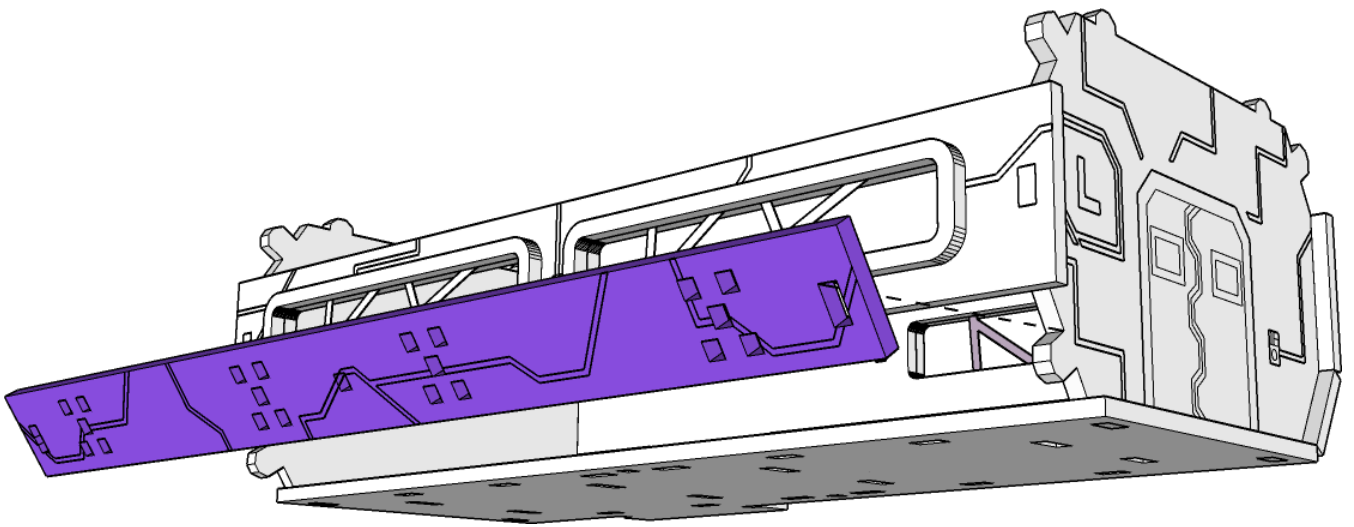
**TTSCW-SFU-106  
Prefab Chemical Lab**





**TABLETOP  
SCENICS**

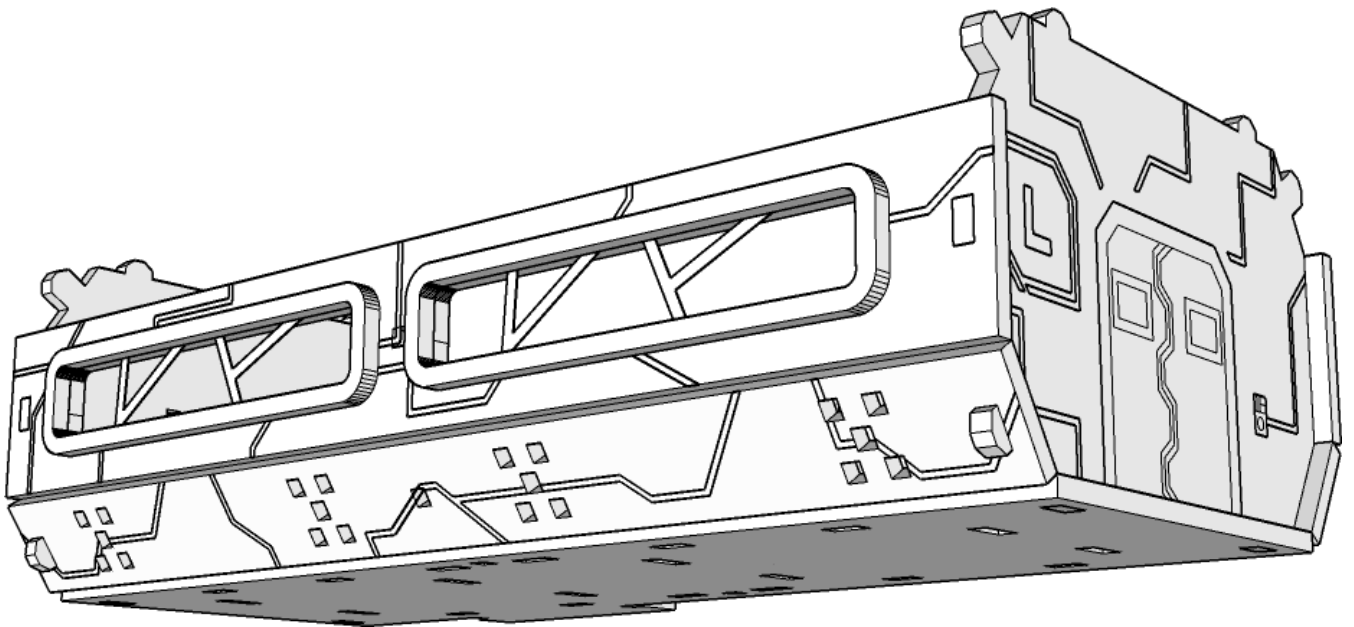
**TTSCW-SFU-106  
Prefab Chemical Lab**

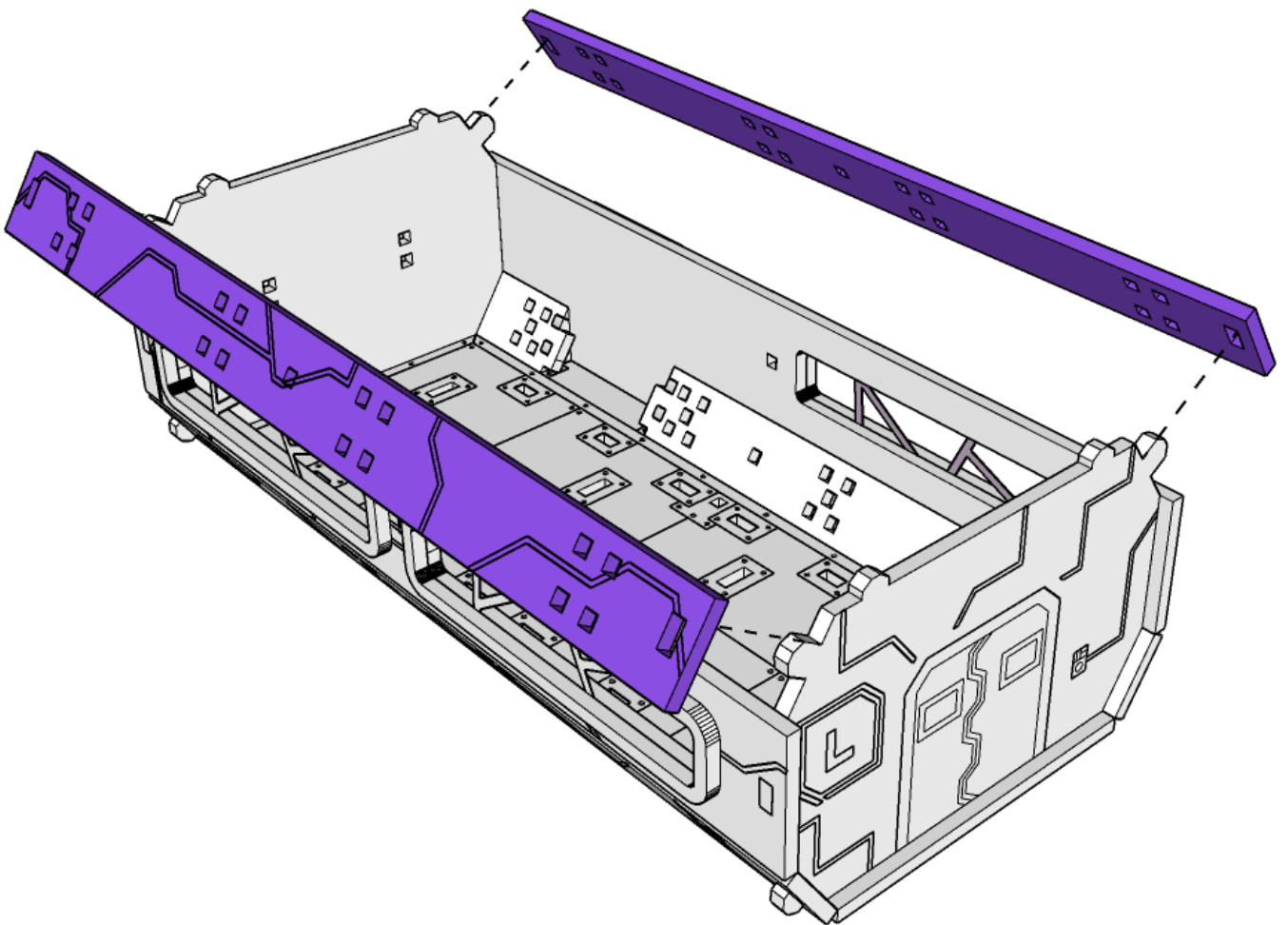




**TABLETOP  
SCENICS**

**TTSCW-SFU-106  
Prefab Chemical Lab**

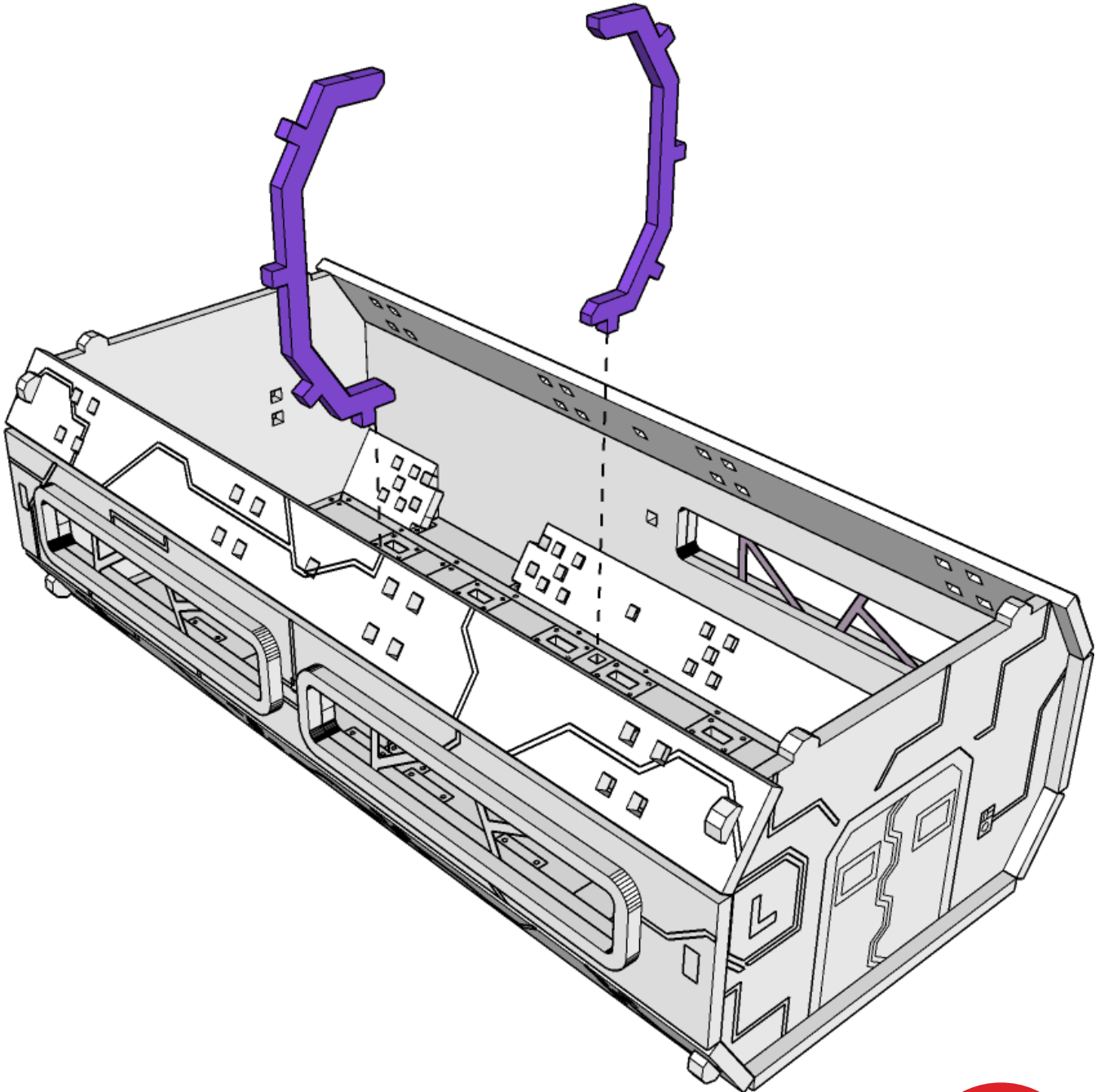






**TABLETOP  
SCENICS**

**TTSCW-SFU-106  
Prefab Chemical Lab**

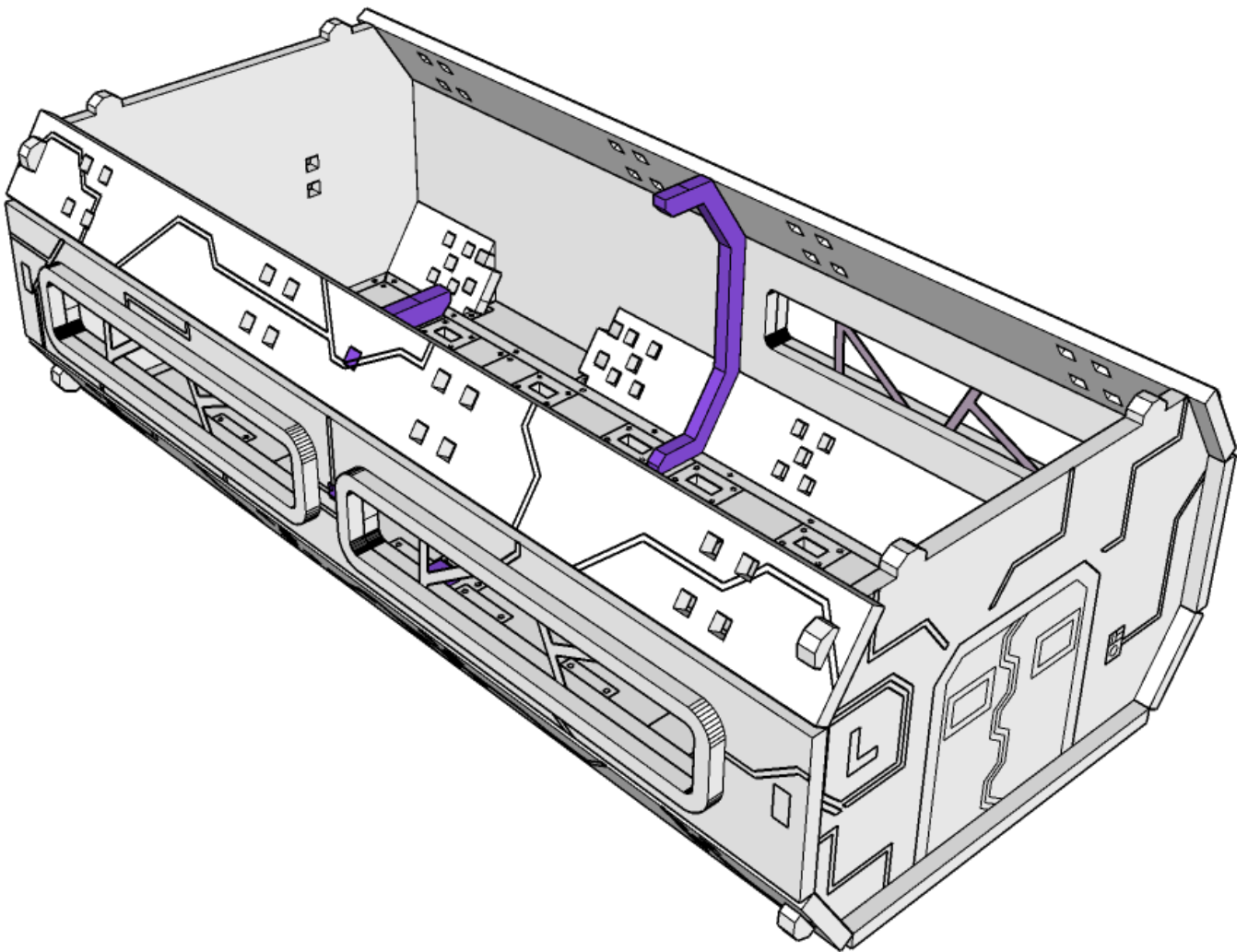






**TABLETOP  
SCENICS**

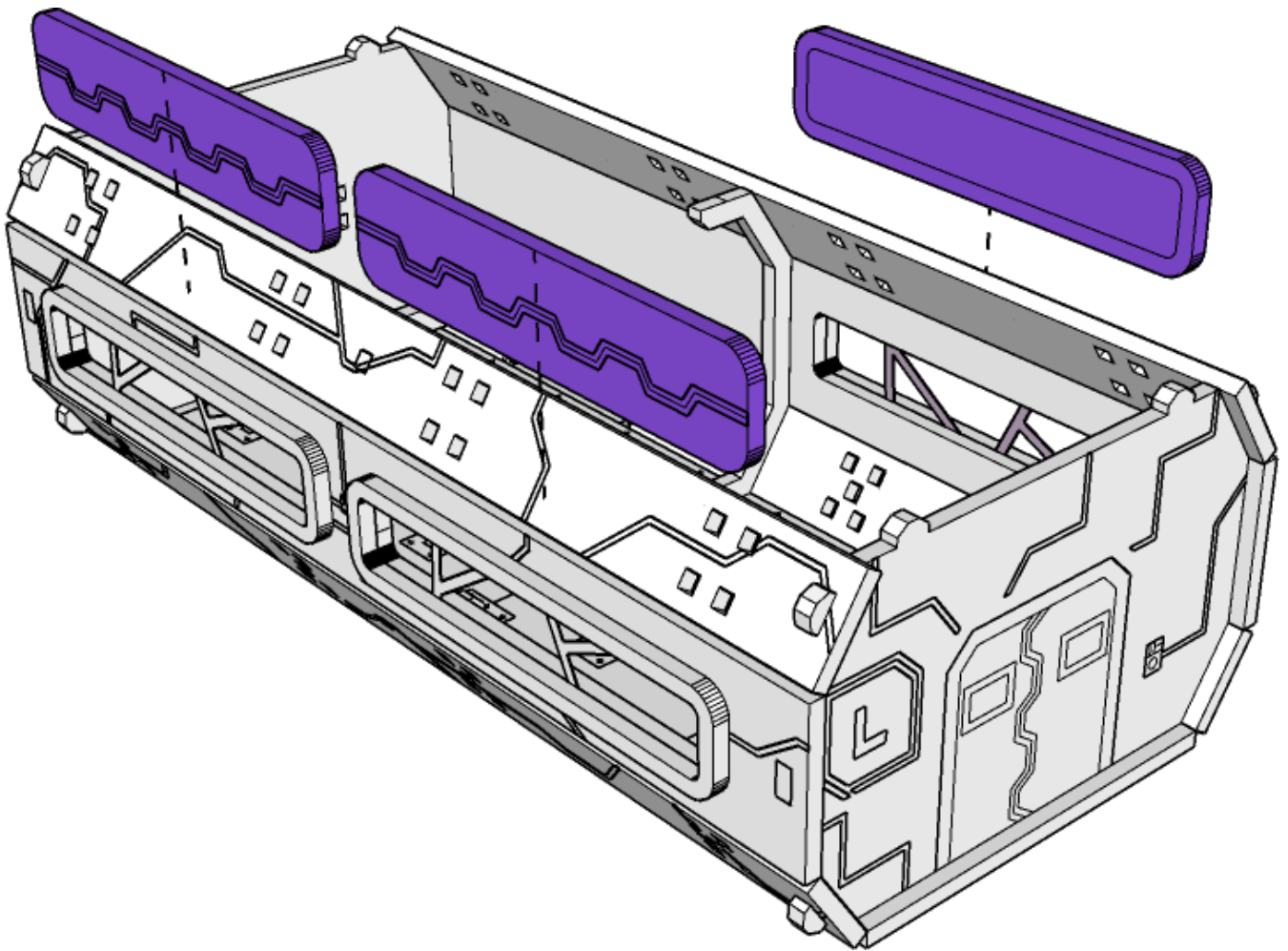
**TTSCW-SFU-106  
Prefab Chemical Lab**





**TABLETOP  
SCENICS**

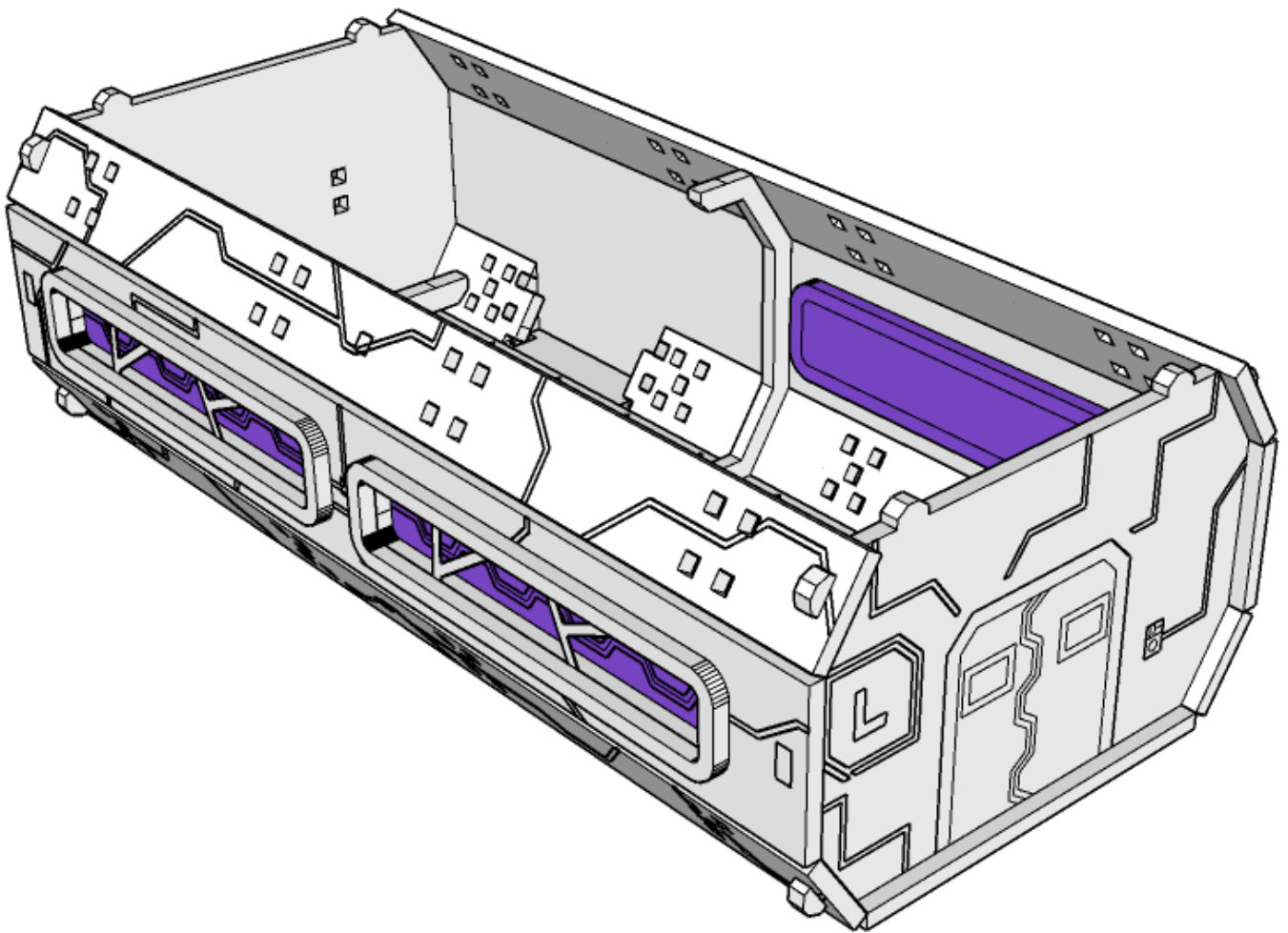
**TTSCW-SFU-106  
Prefab Chemical Lab**





**TABLETOP  
SCENICS**

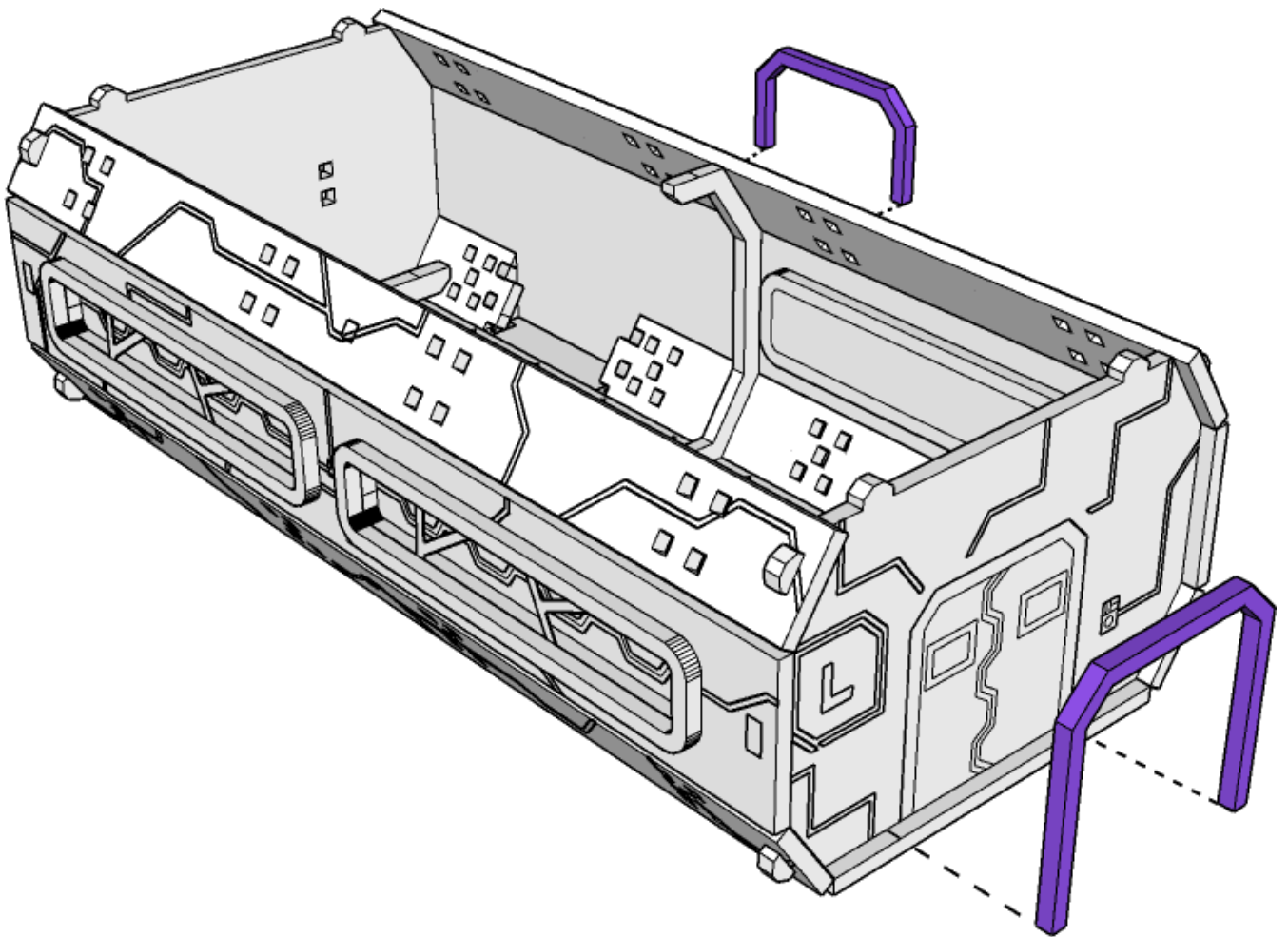
**TTSCW-SFU-106  
Prefab Chemical Lab**

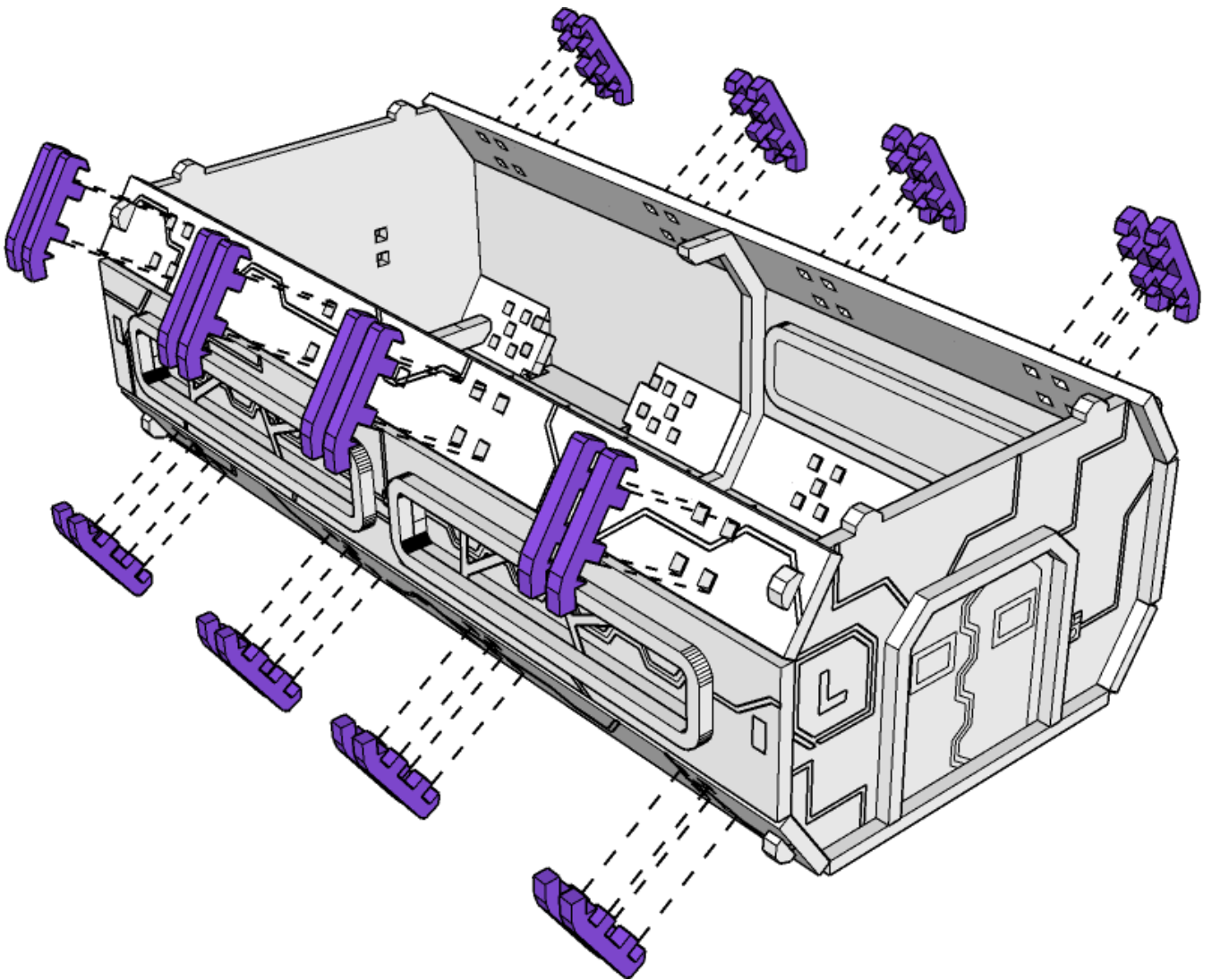




**TABLETOP  
SCENICS**

**TTSCW-SFU-106  
Prefab Chemical Lab**



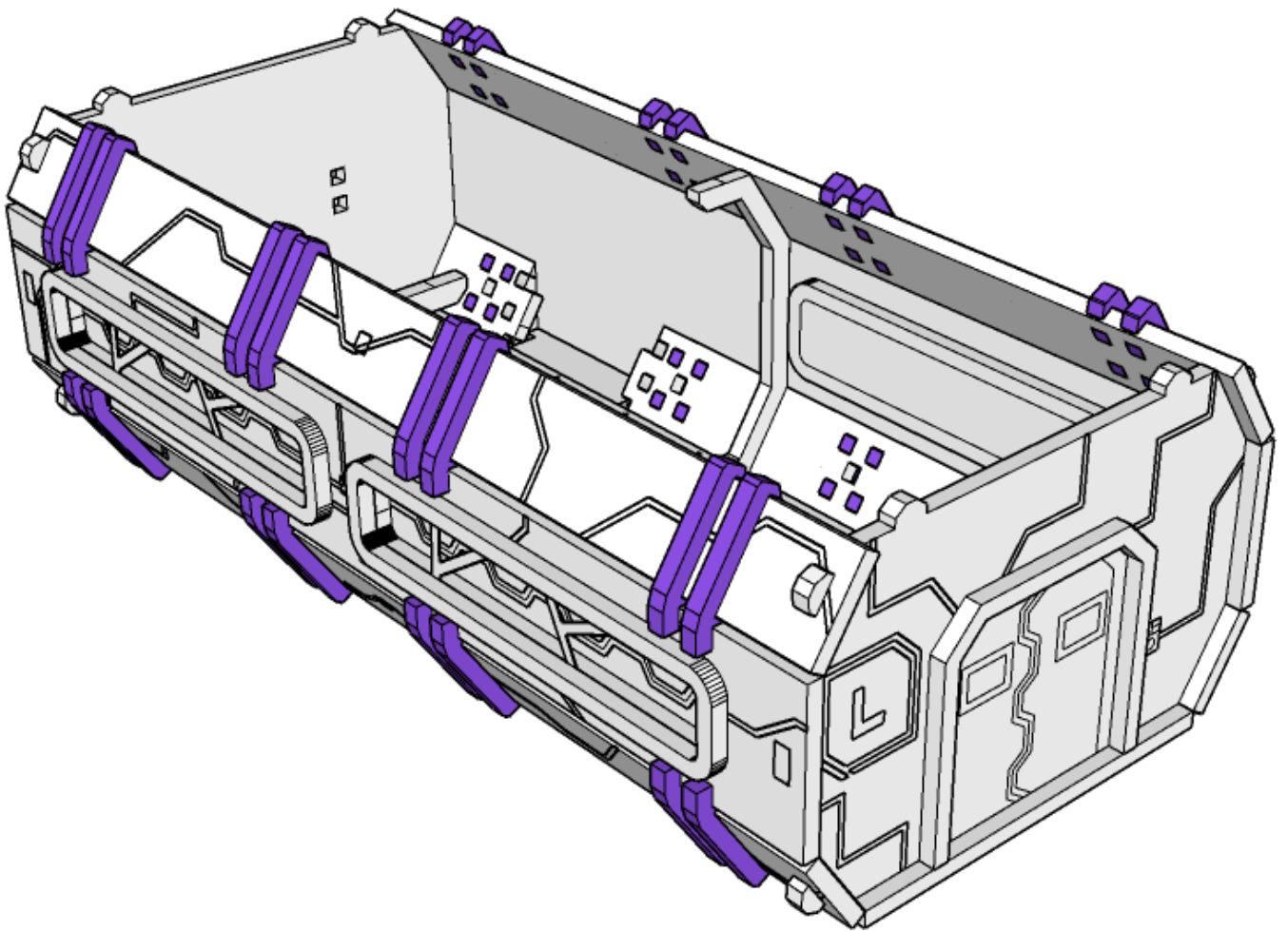






**TABLETOP  
SCENICS**

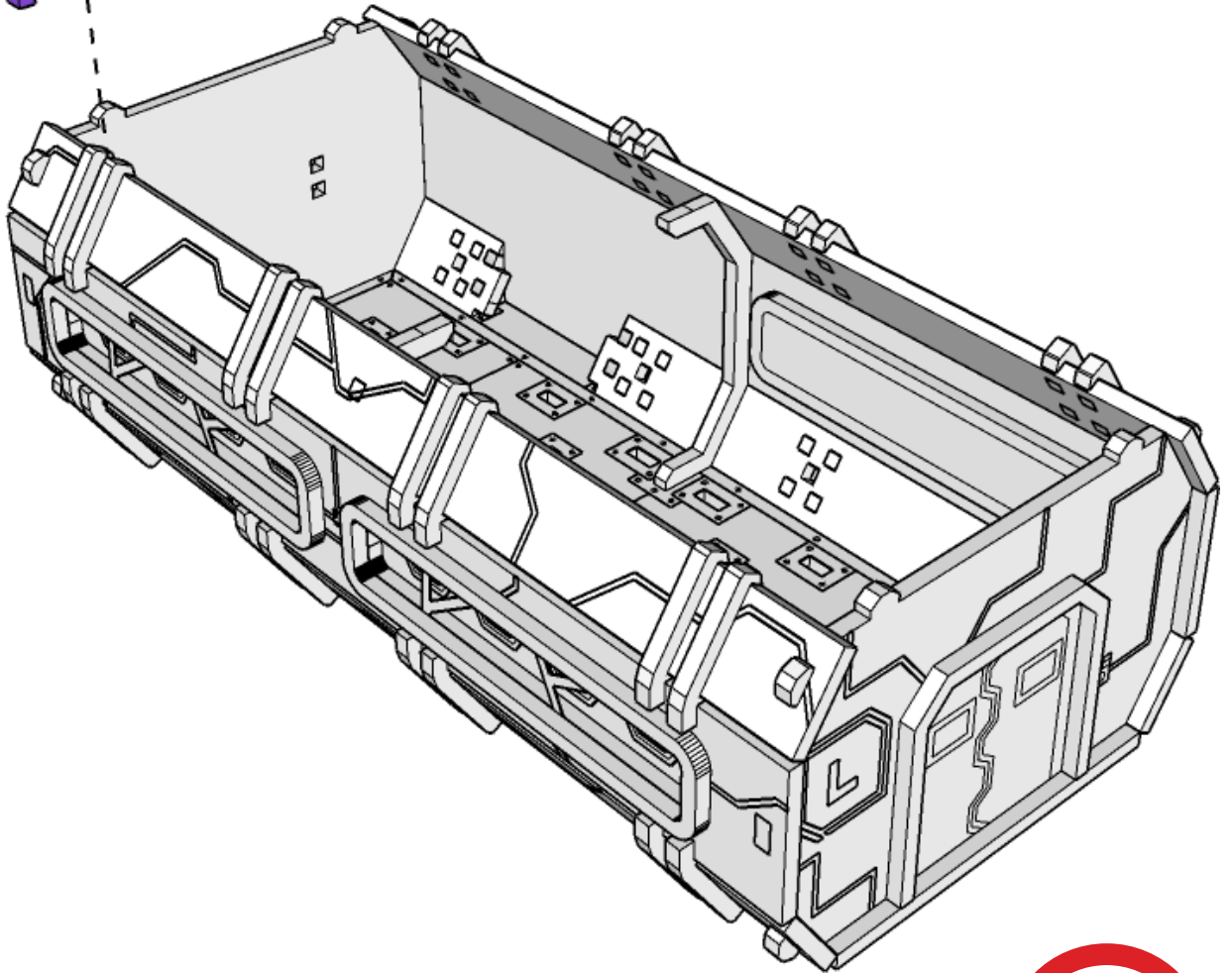
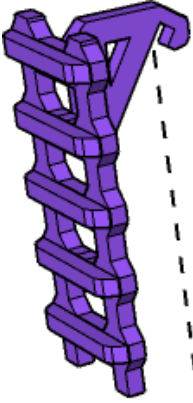
**TTSCW-SFU-106  
Prefab Chemical Lab**





**TABLETOP  
SCENICS**

**TTSCW-SFU-106  
Prefab Chemical Lab**



**191**

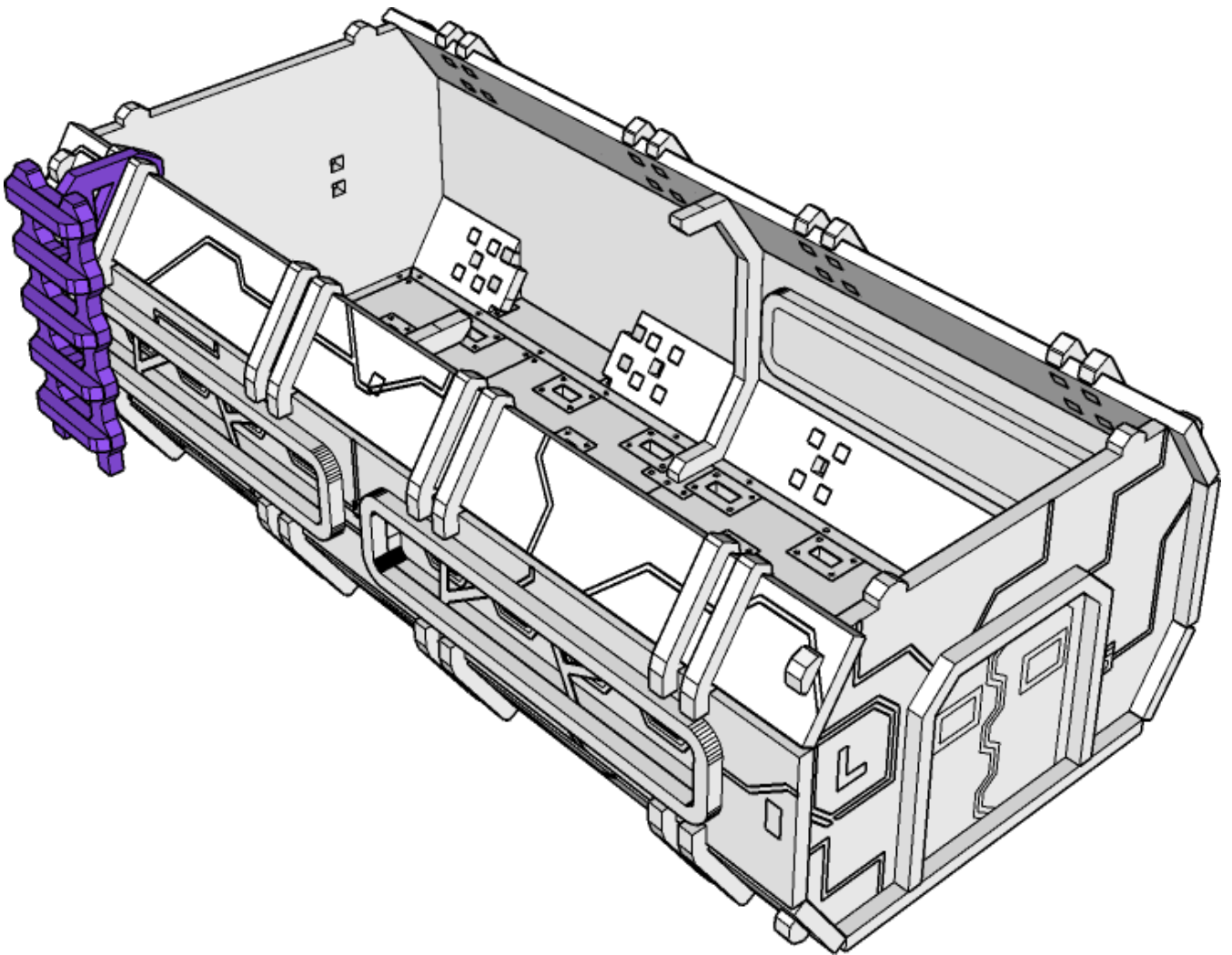
 **TTCOMBAT**

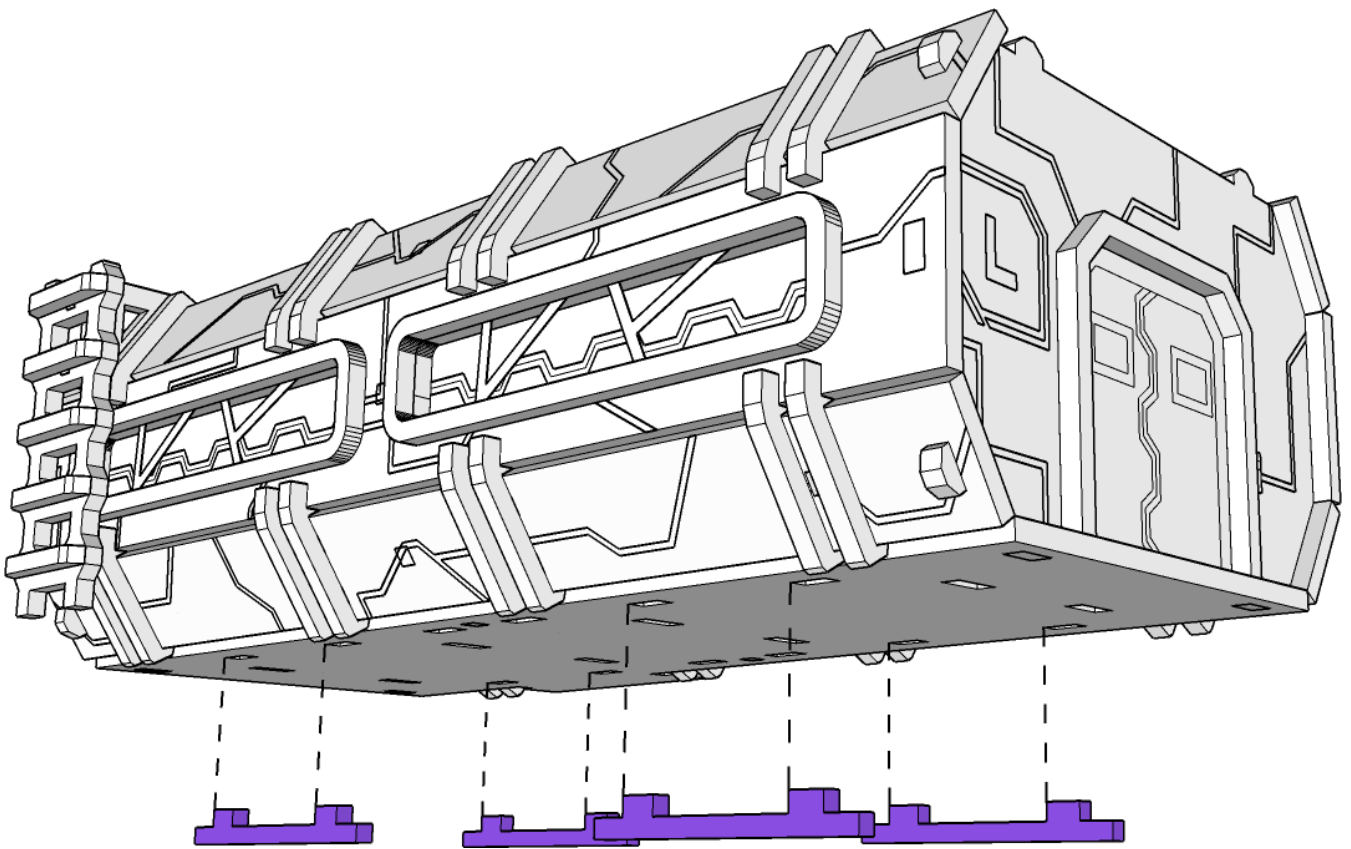




**TABLETOP  
SCENICS**

**TTSCW-SFU-106  
Prefab Chemical Lab**

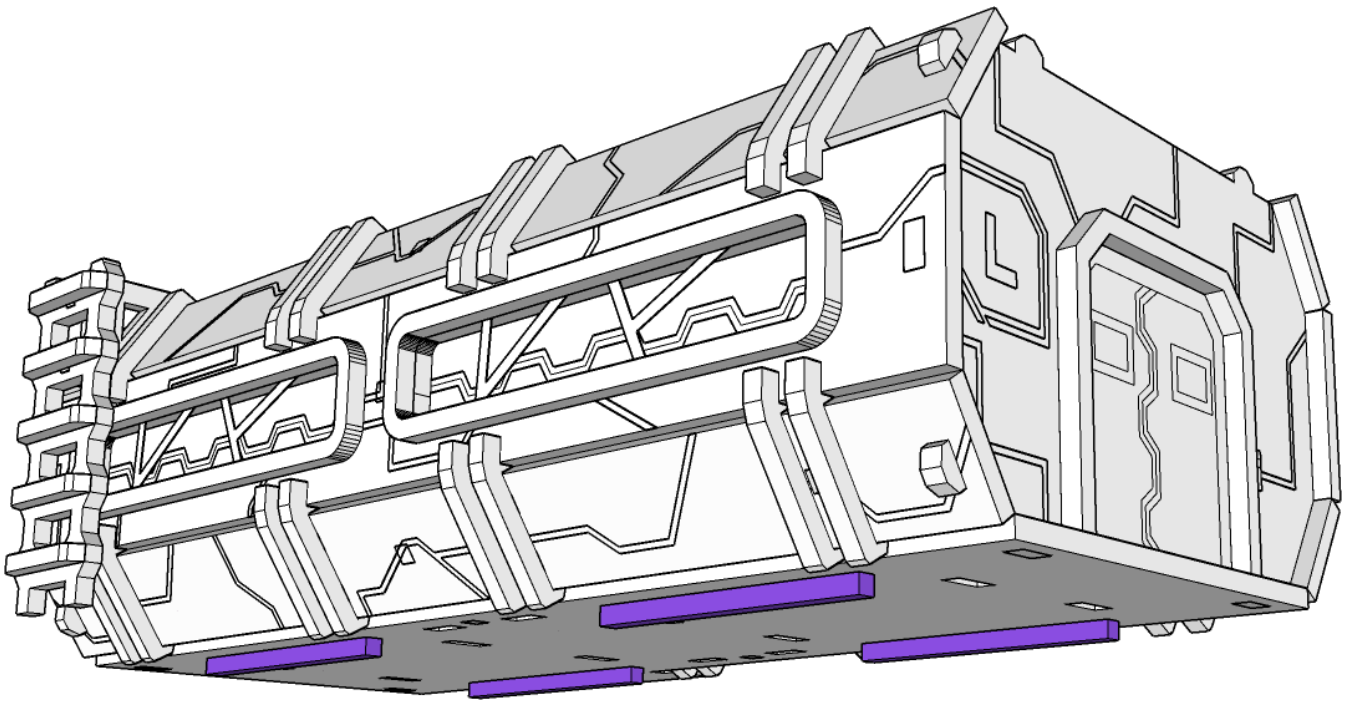






**TABLETOP  
SCENICS**

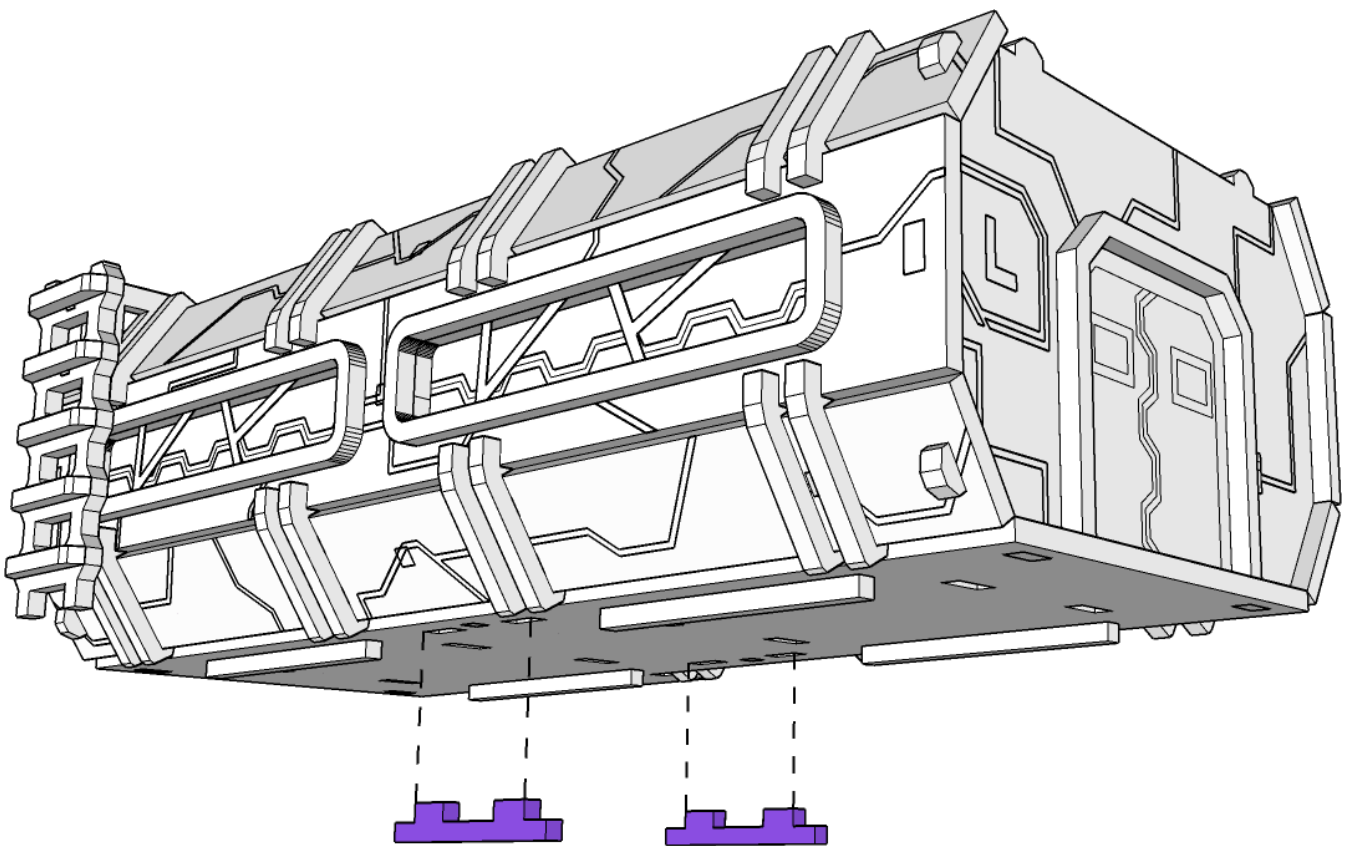
**TTSCW-SFU-106  
Prefab Chemical Lab**





**TABLETOP  
SCENICS**

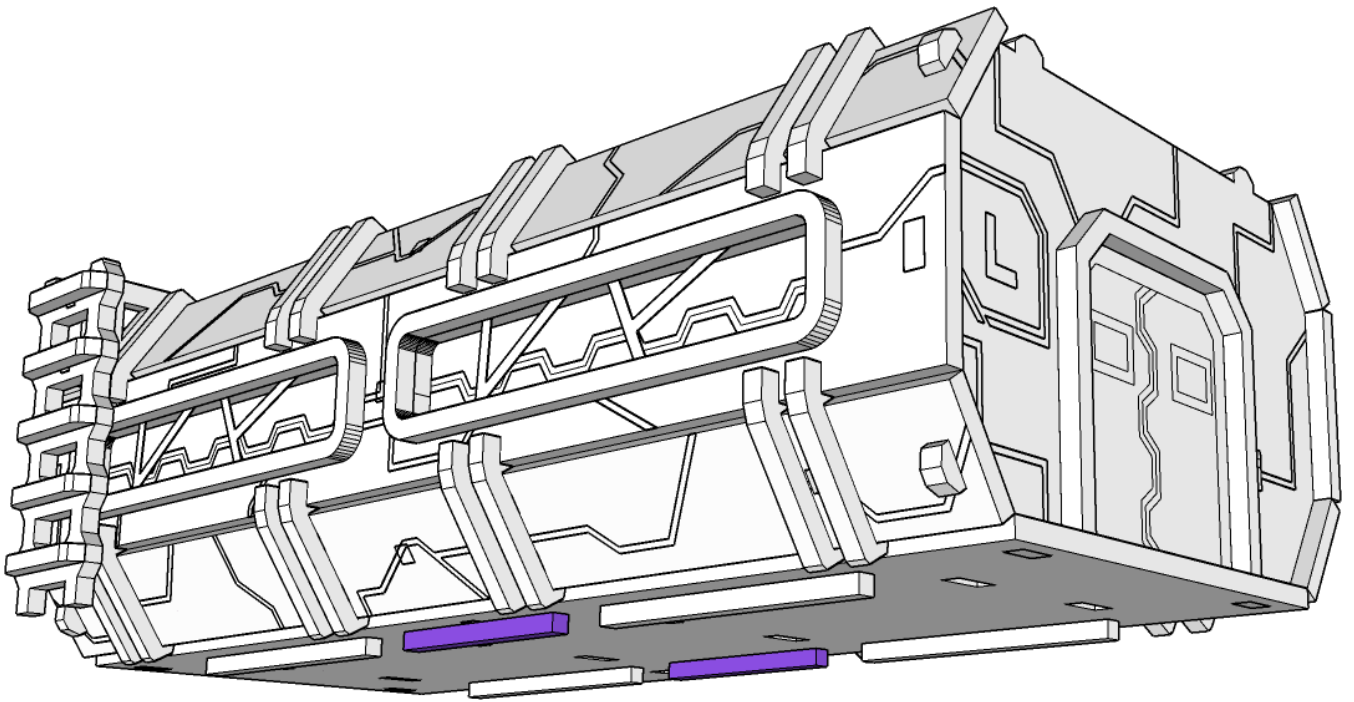
**TTSCW-SFU-106  
Prefab Chemical Lab**





**TABLETOP  
SCENICS**

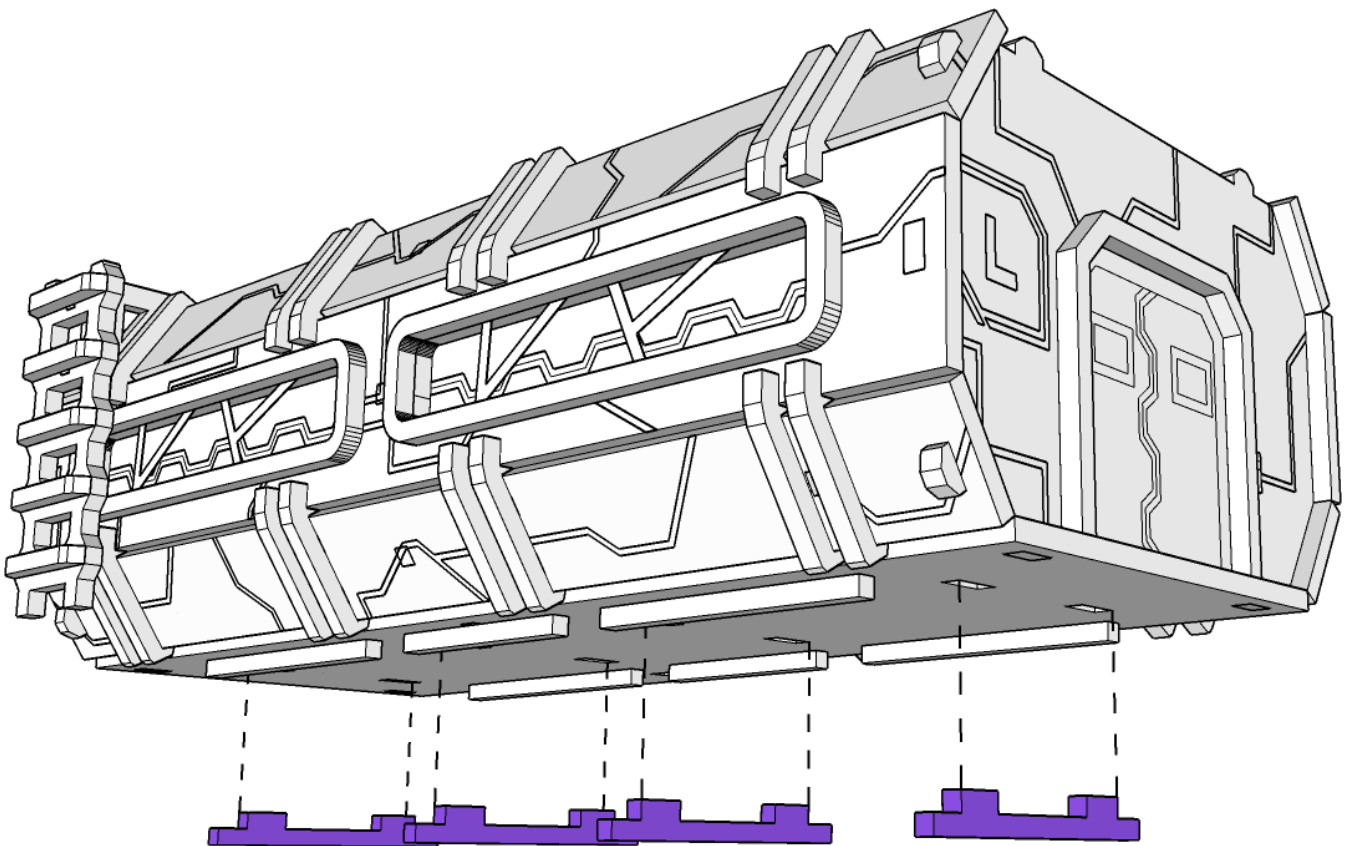
**TTSCW-SFU-106  
Prefab Chemical Lab**





**TABLETOP  
SCENICS**

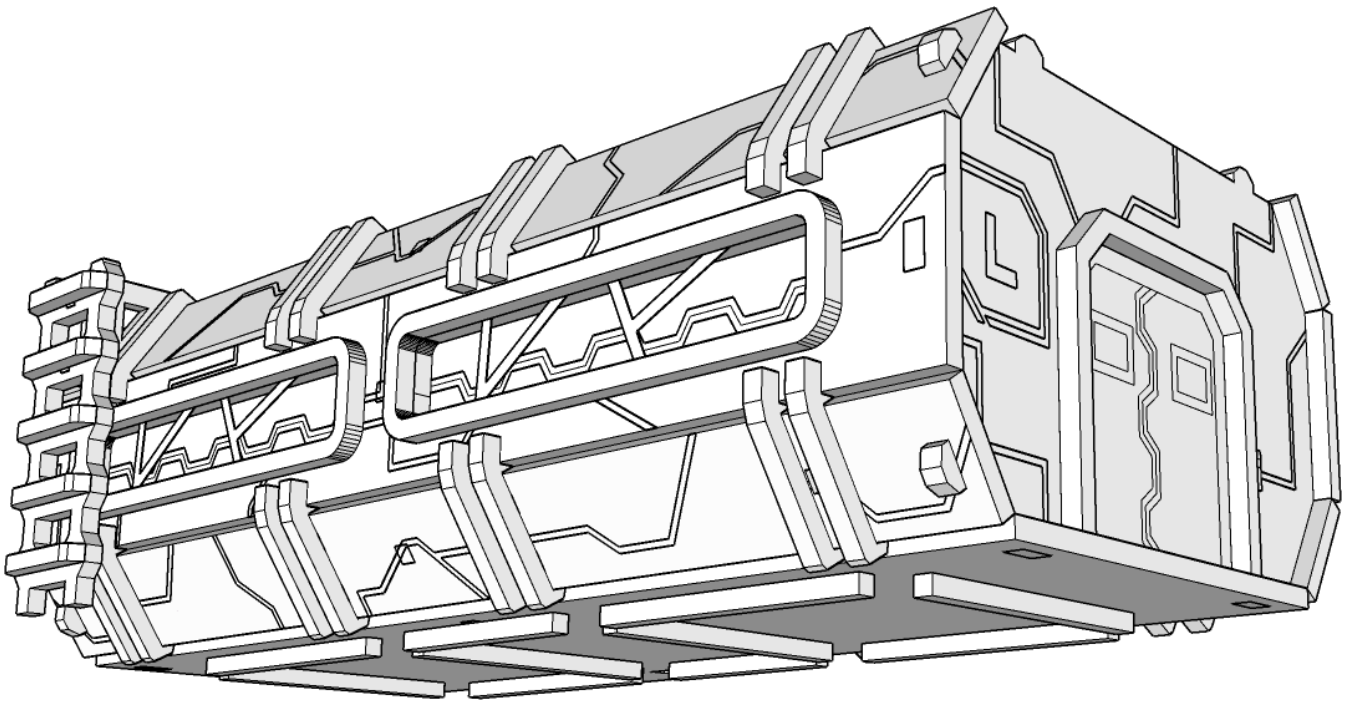
**TTSCW-SFU-106  
Prefab Chemical Lab**





**TABLETOP  
SCENICS**

**TTSCW-SFU-106  
Prefab Chemical Lab**

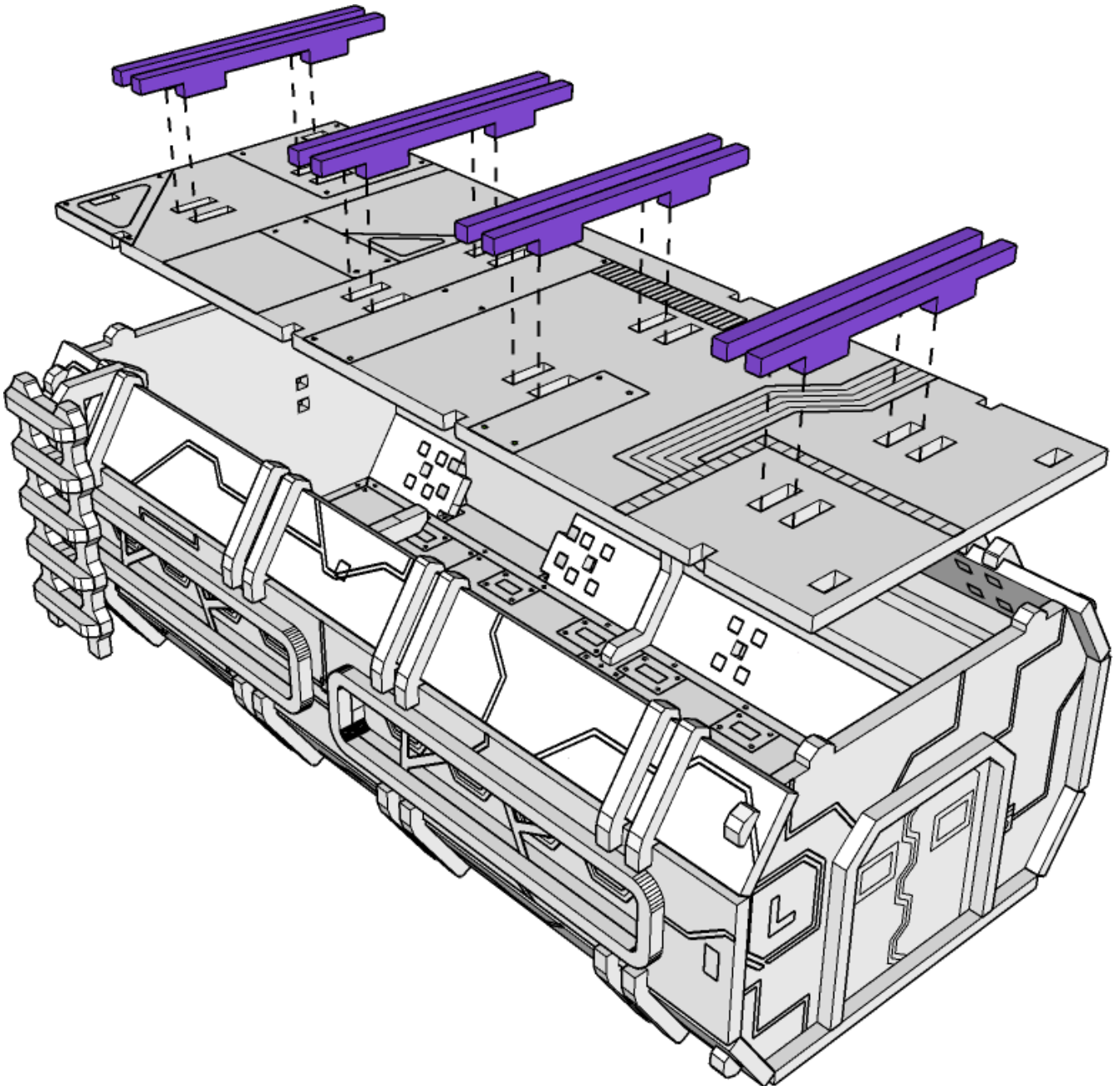






# TABLETOP SCENICS

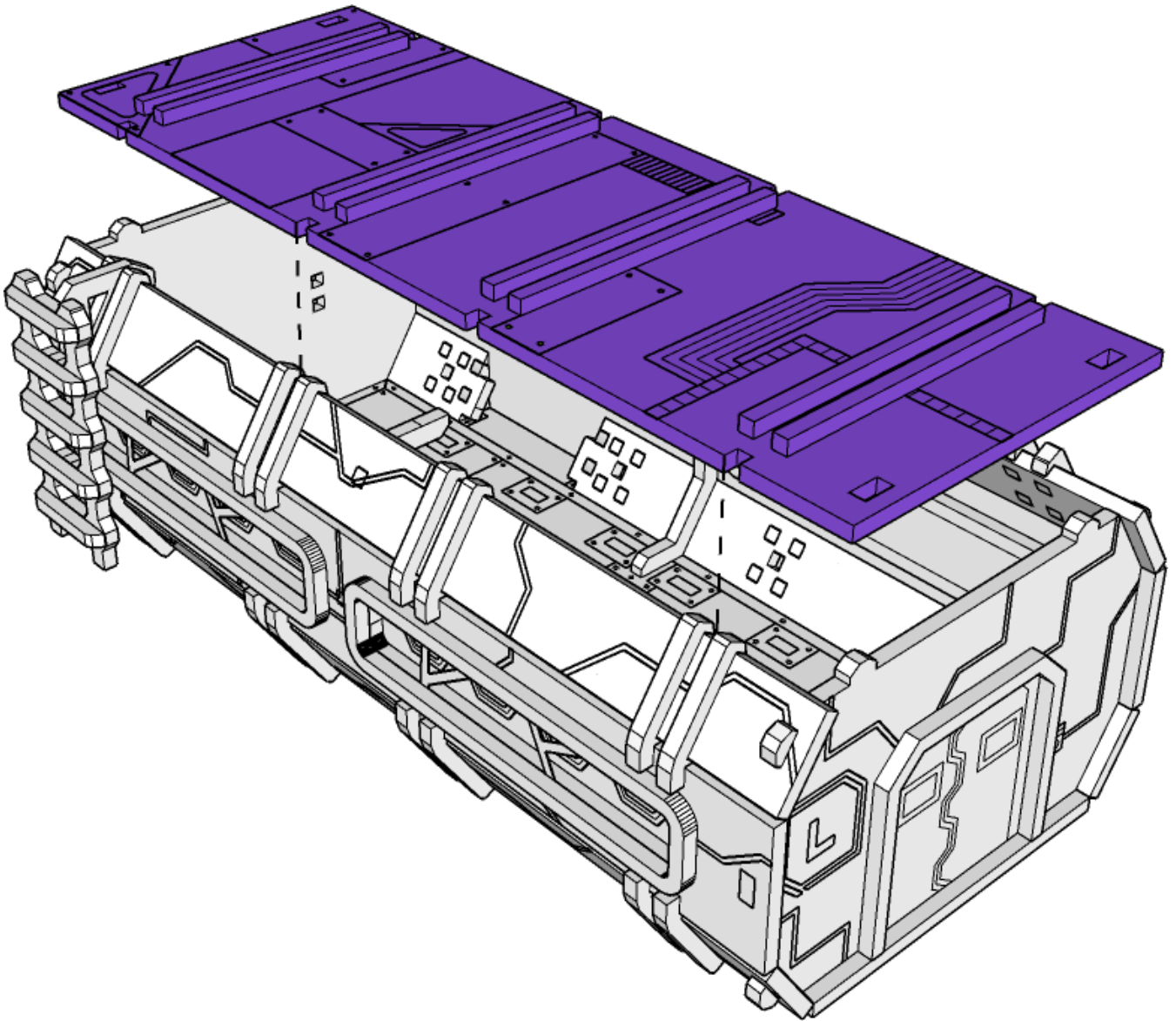
## TTSCW-SFU-106 Prefab Chemical Lab





**TABLETOP  
SCENICS**

**TTSCW-SFU-106  
Prefab Chemical Lab**



**200**

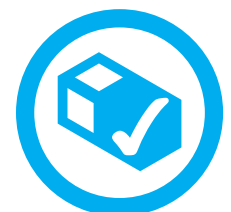
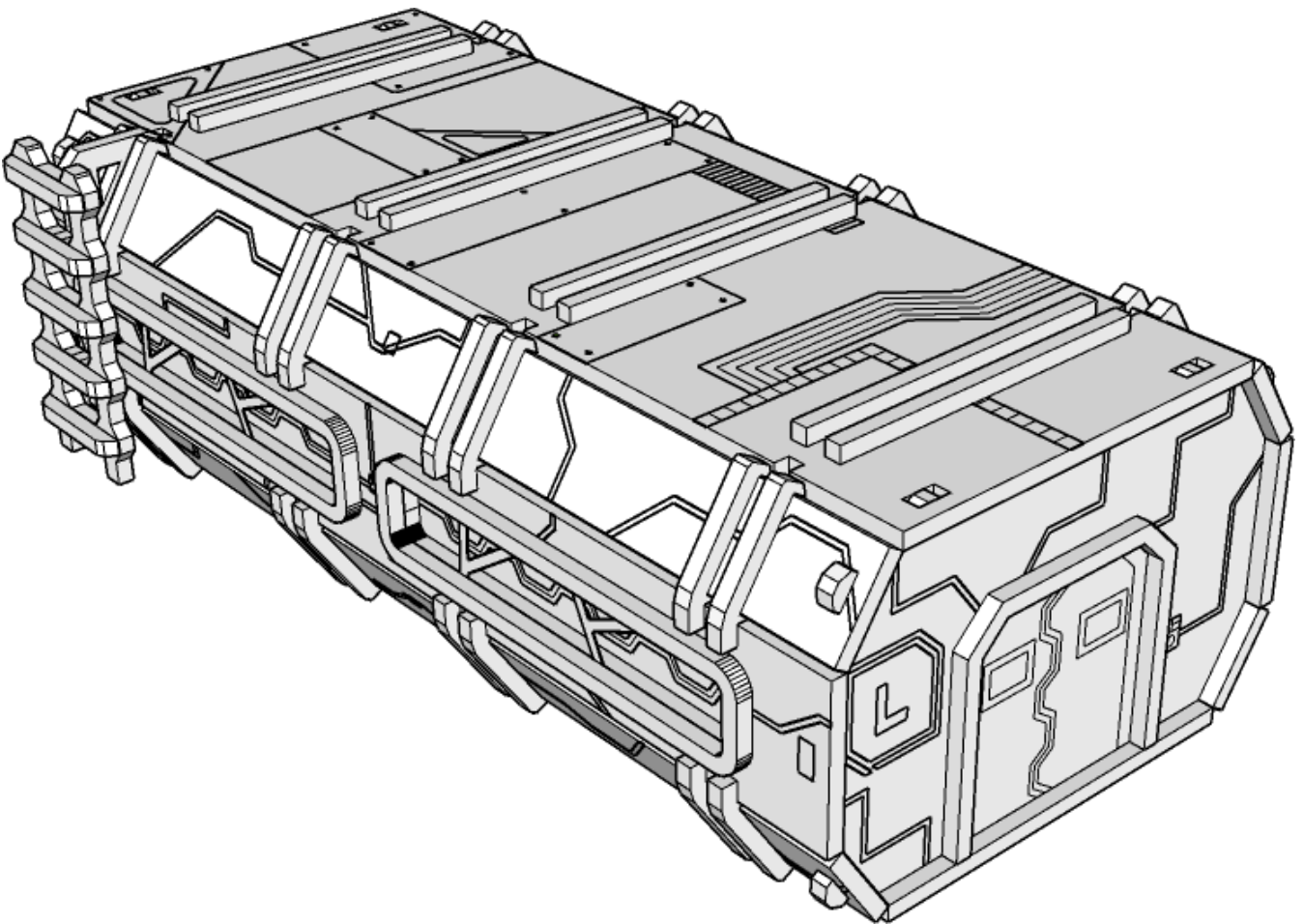


 **TTCOMBAT**



**TABLETOP  
SCENICS**

**TTSCW-SFU-106  
Prefab Chemical Lab**



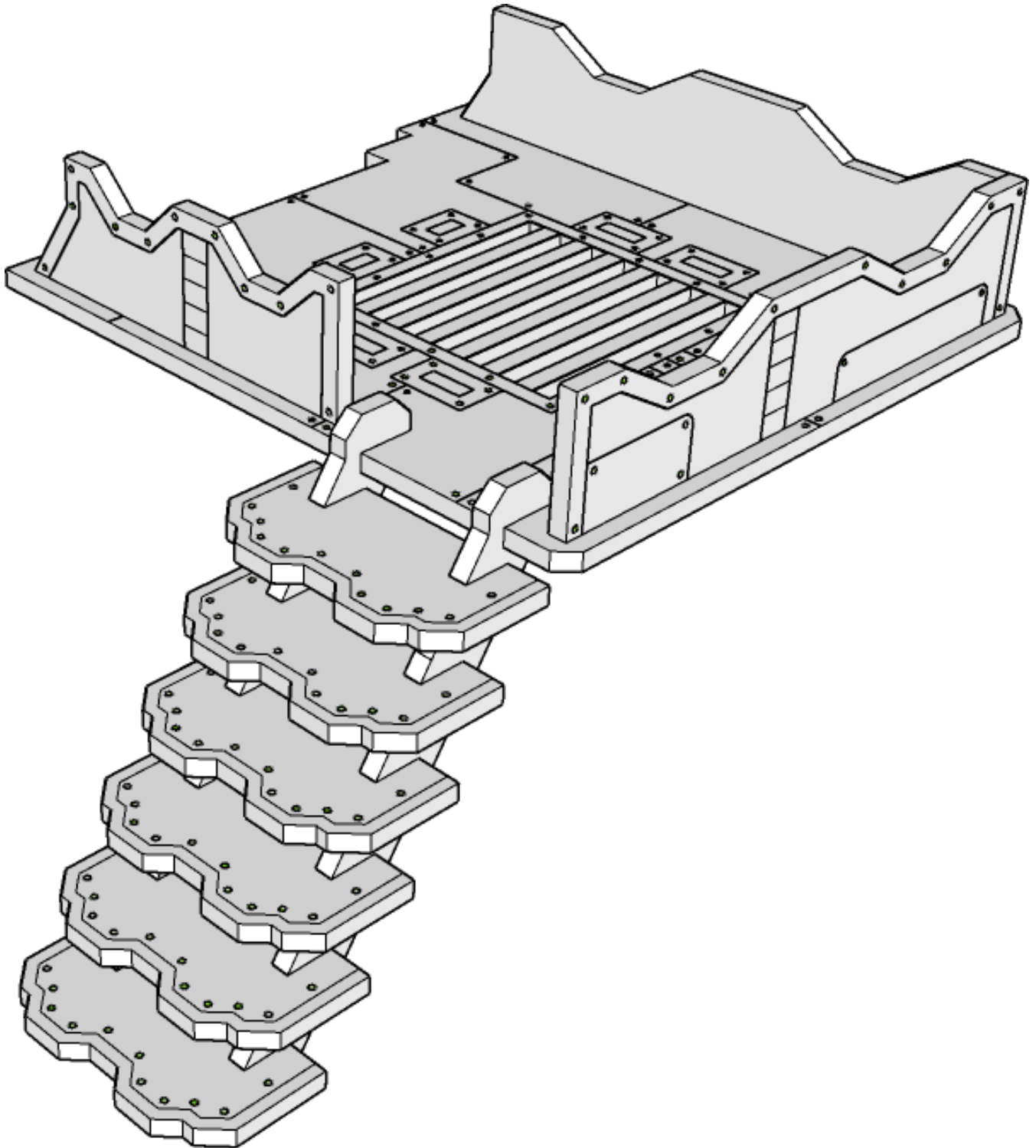
**201**

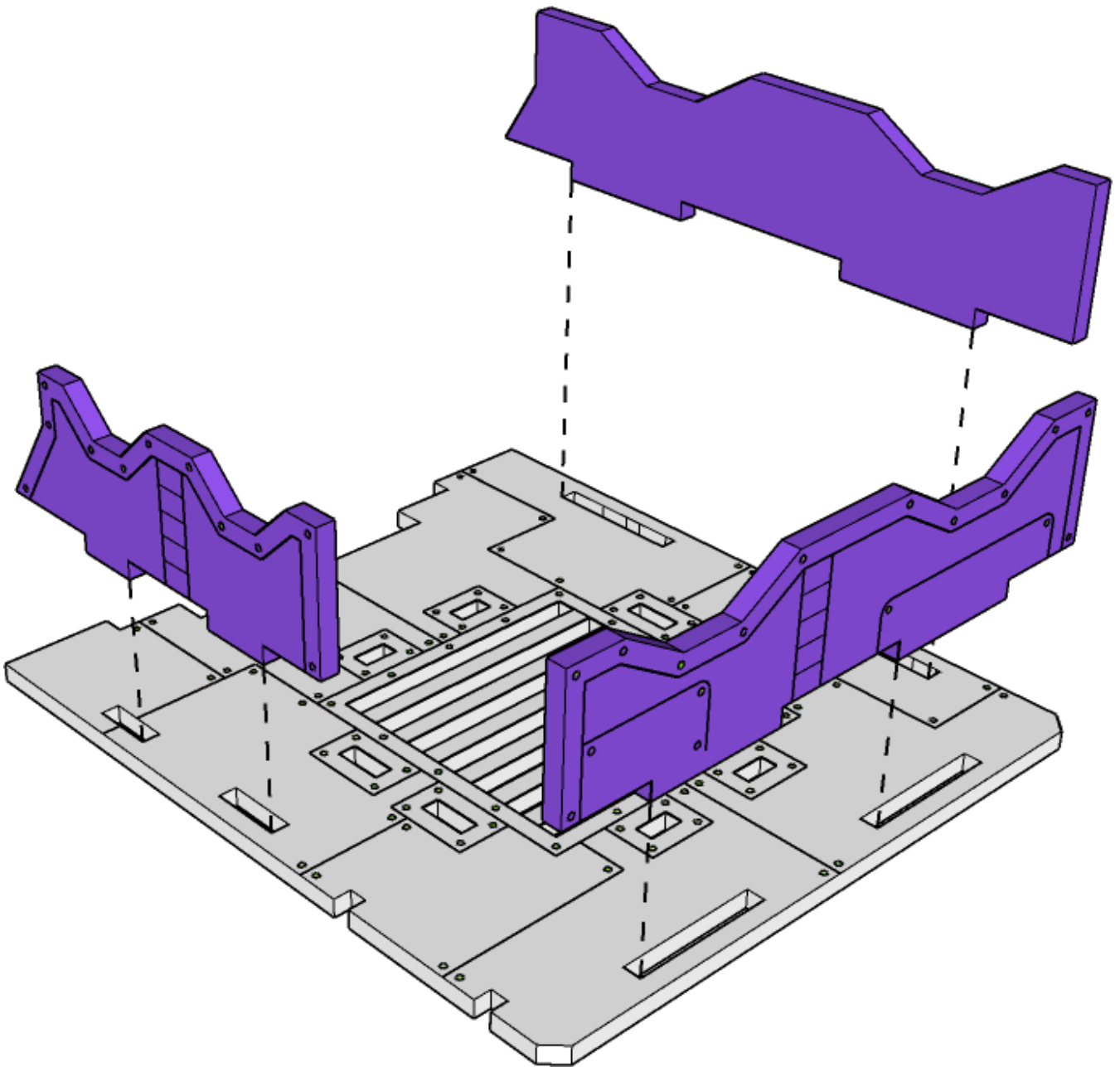
 **TTCOMBAT**



**TABLETOP  
SCENICS**

**TTSCW-SFU-106  
Prefab Chemical Lab**



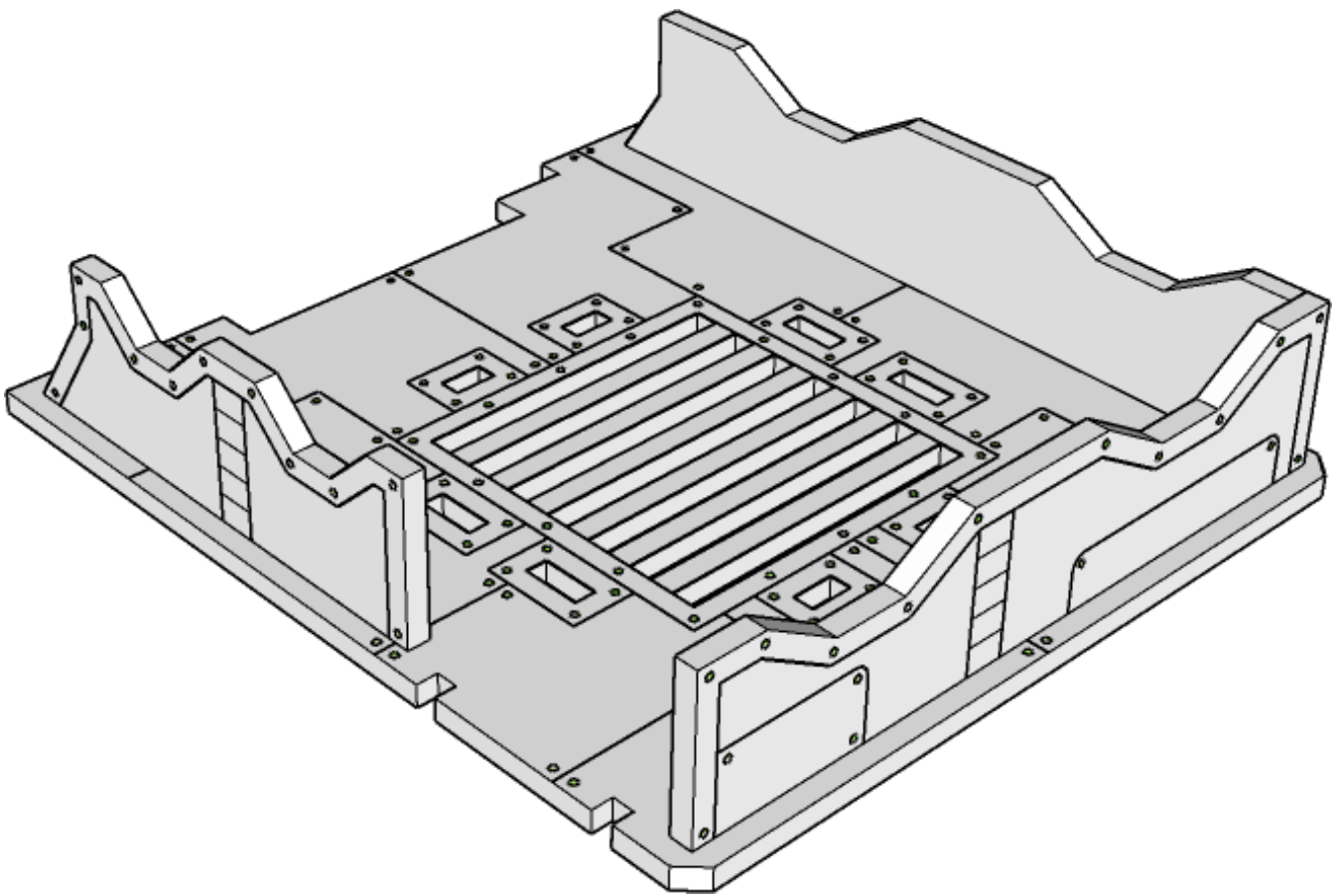


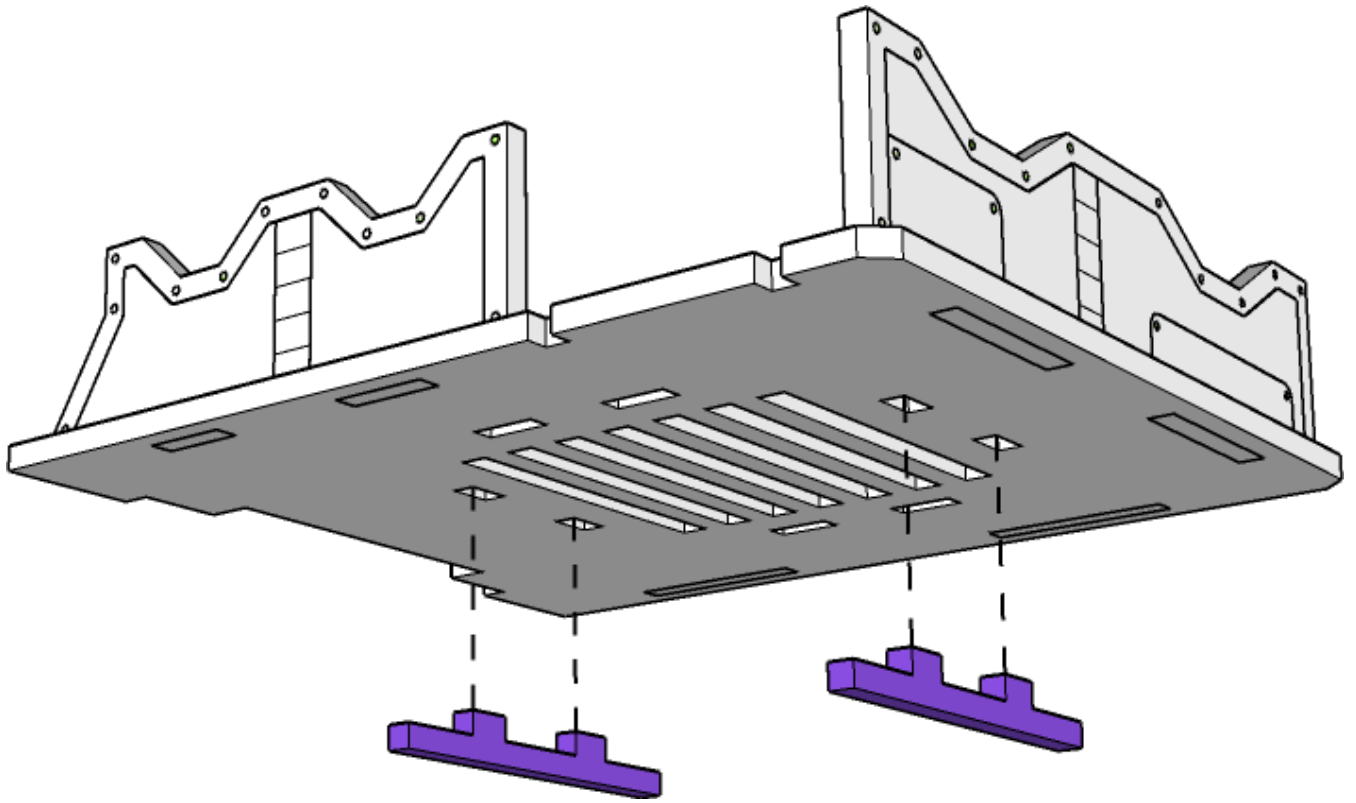




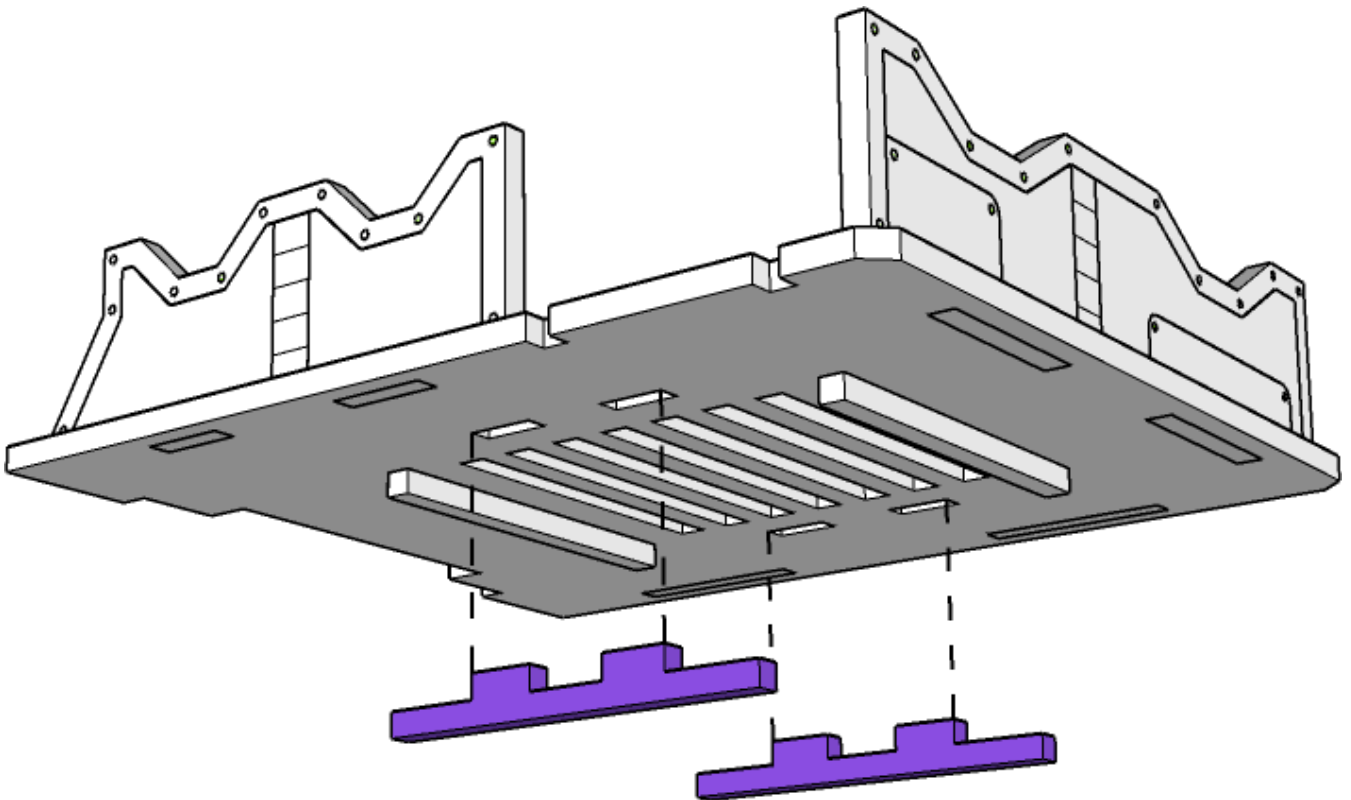
**TABLETOP  
SCENICS**

**TTSCW-SFU-106  
Prefab Chemical Lab**





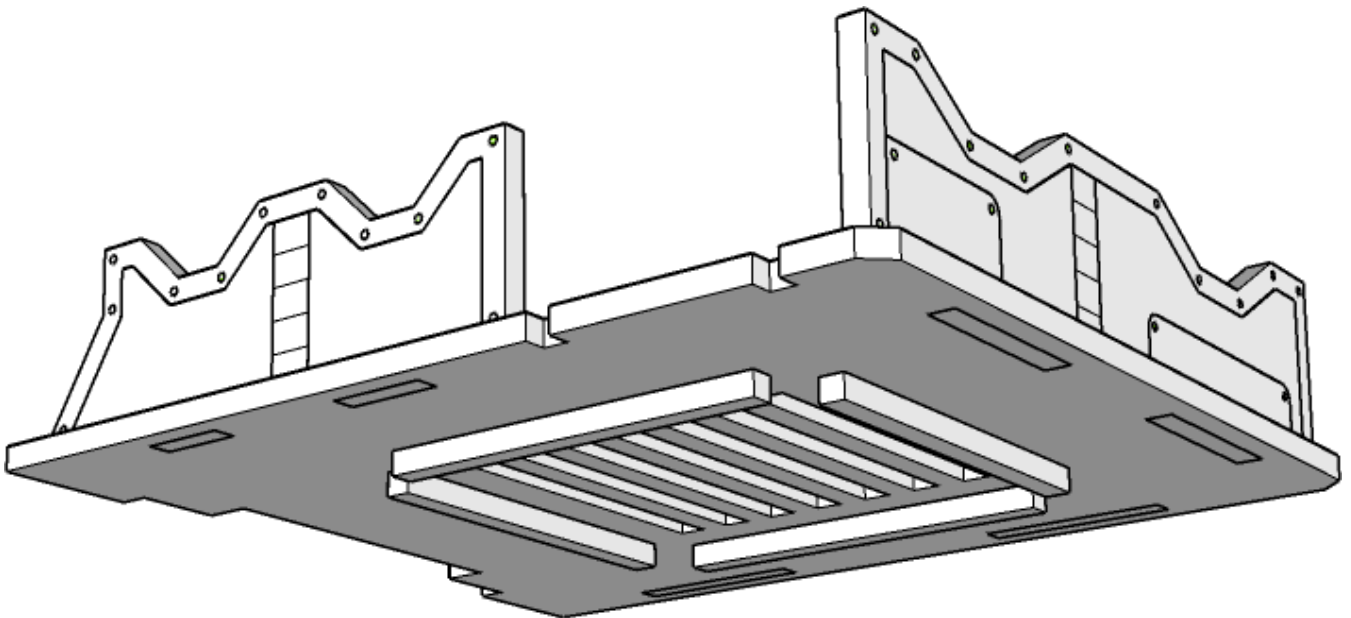






**TABLETOP  
SCENICS**

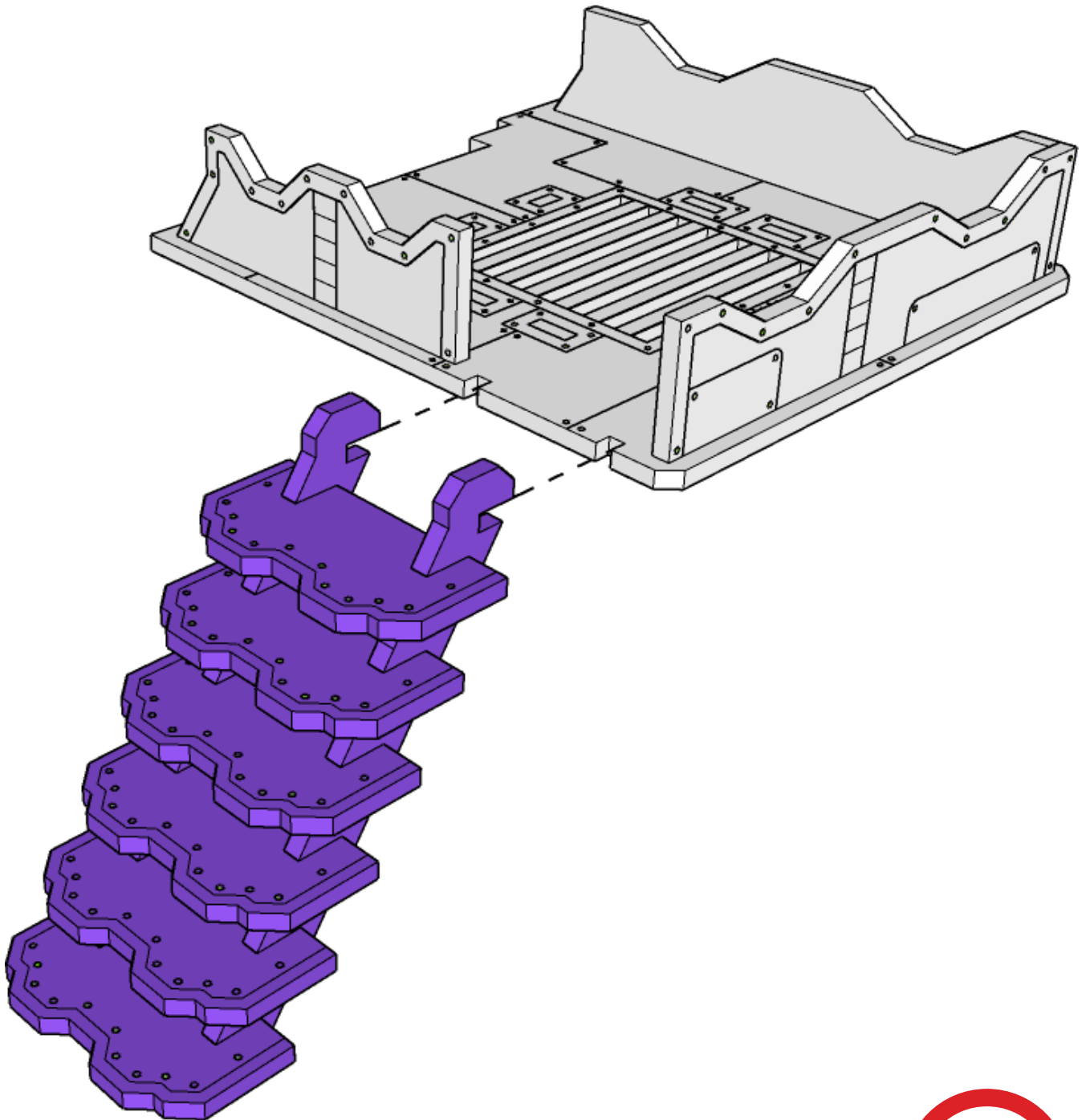
**TTSCW-SFU-106  
Prefab Chemical Lab**





# TABLETOP SCENICS

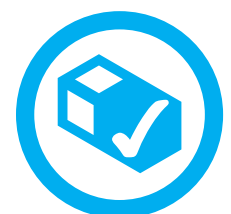
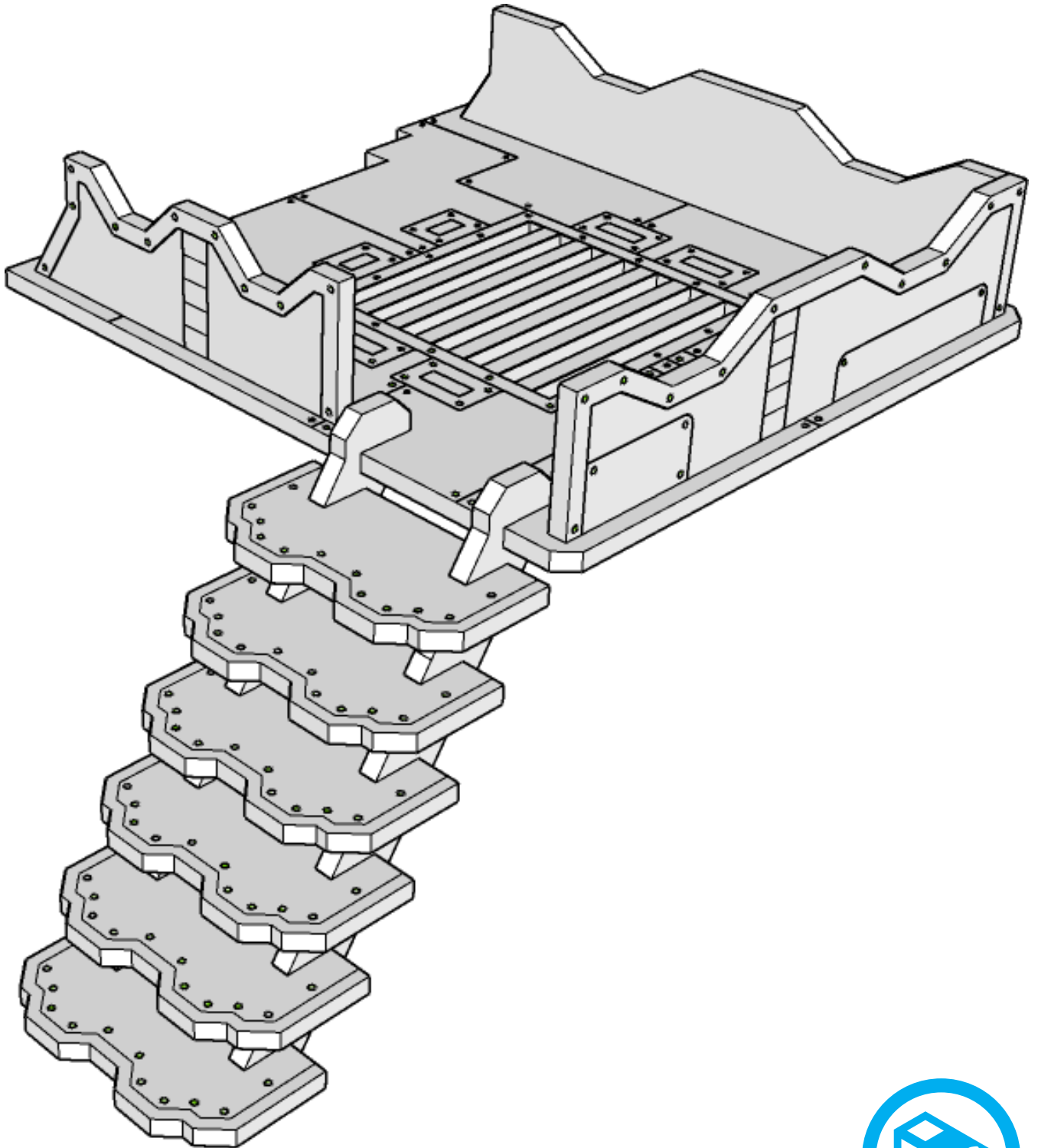
## TTSCW-SFU-106 Prefab Chemical Lab





**TABLETOP  
SCENICS**

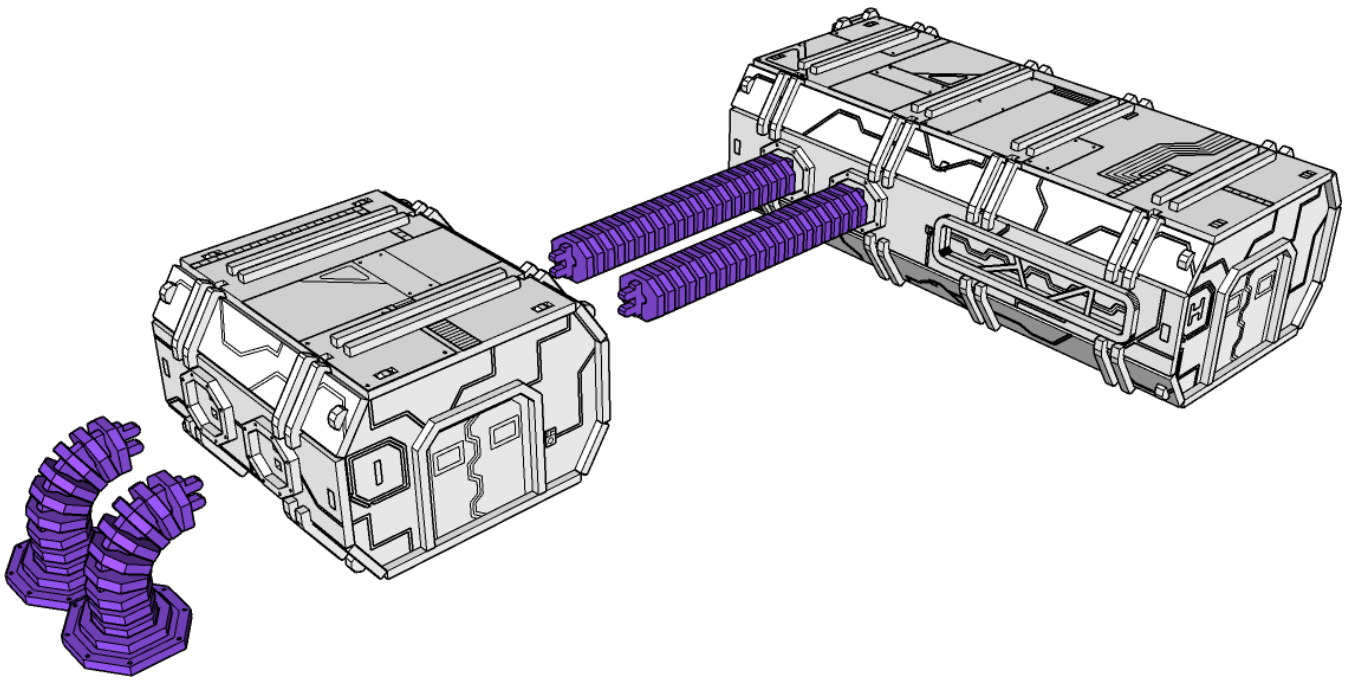
**TTSCW-SFU-106  
Prefab Chemical Lab**





**TABLETOP  
SCENICS**

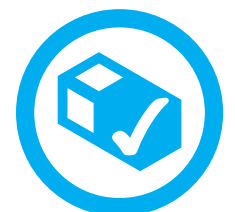
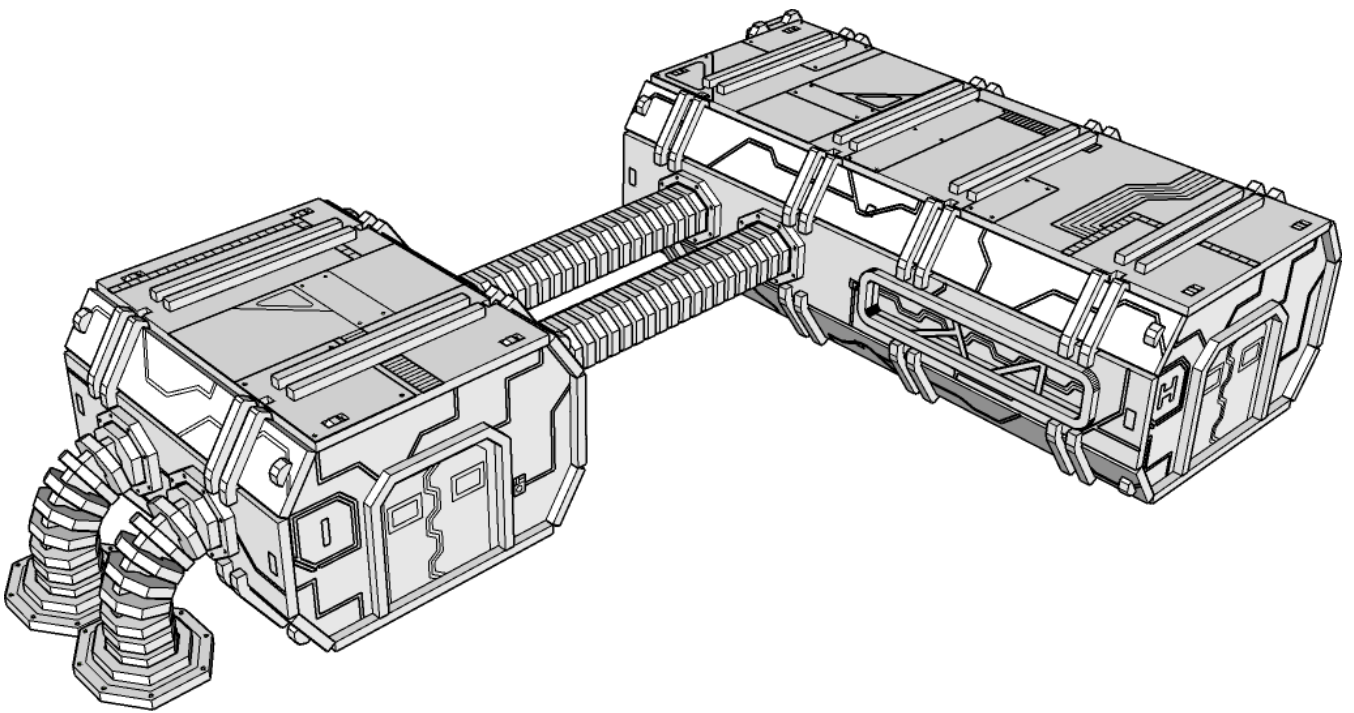
**TTSCW-SFU-106  
Prefab Chemical Lab**





**TABLETOP  
SCENICS**

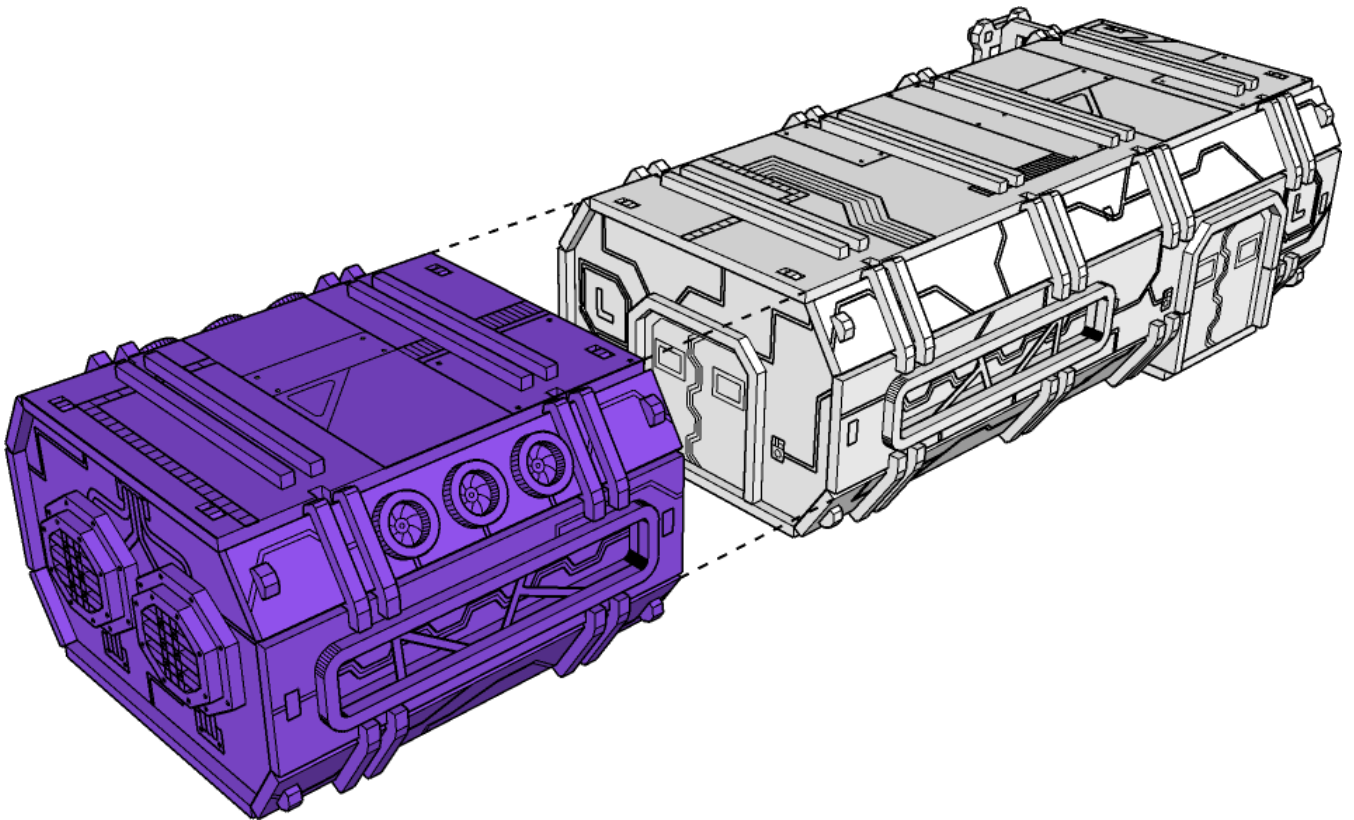
**TTSCW-SFU-106  
Prefab Chemical Lab**





**TABLETOP  
SCENICS**

**TTSCW-SFU-106  
Prefab Chemical Lab**



**212**



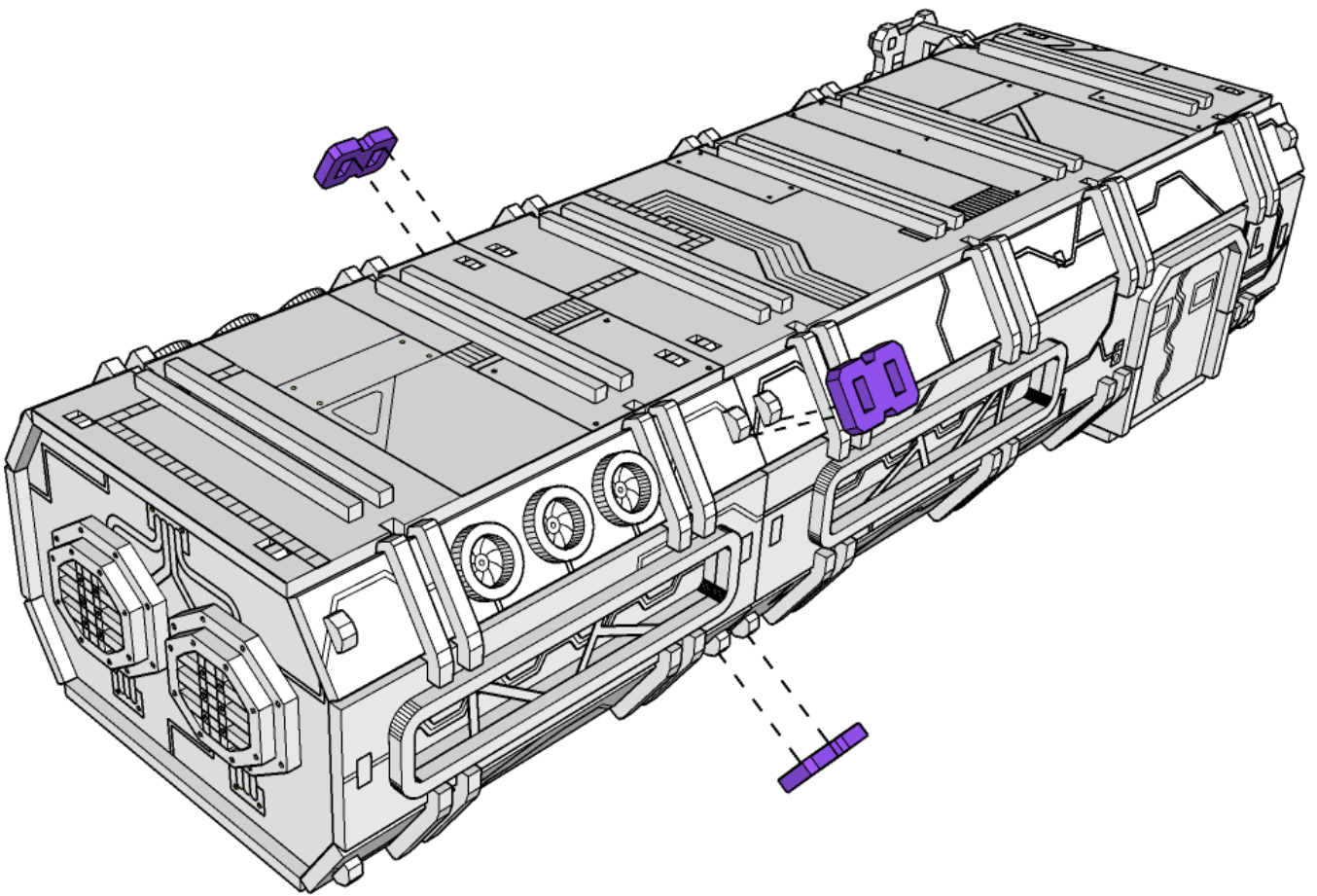
 **TTCOMBAT**





**TABLETOP  
SCENICS**

**TTSCW-SFU-106  
Prefab Chemical Lab**



**213**

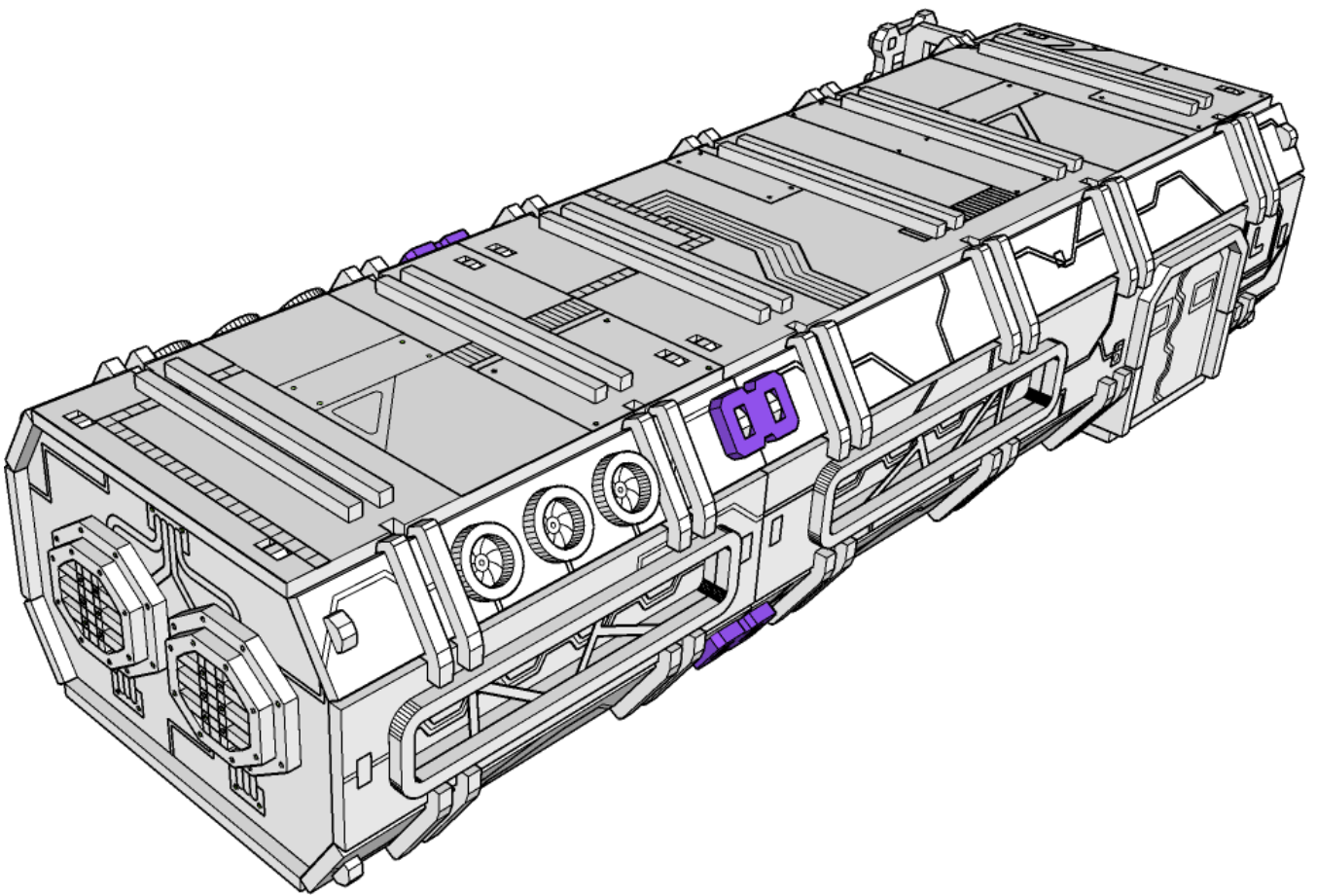


 **TTCOMBAT**



**TABLETOP  
SCENICS**

**TTSCW-SFU-106  
Prefab Chemical Lab**



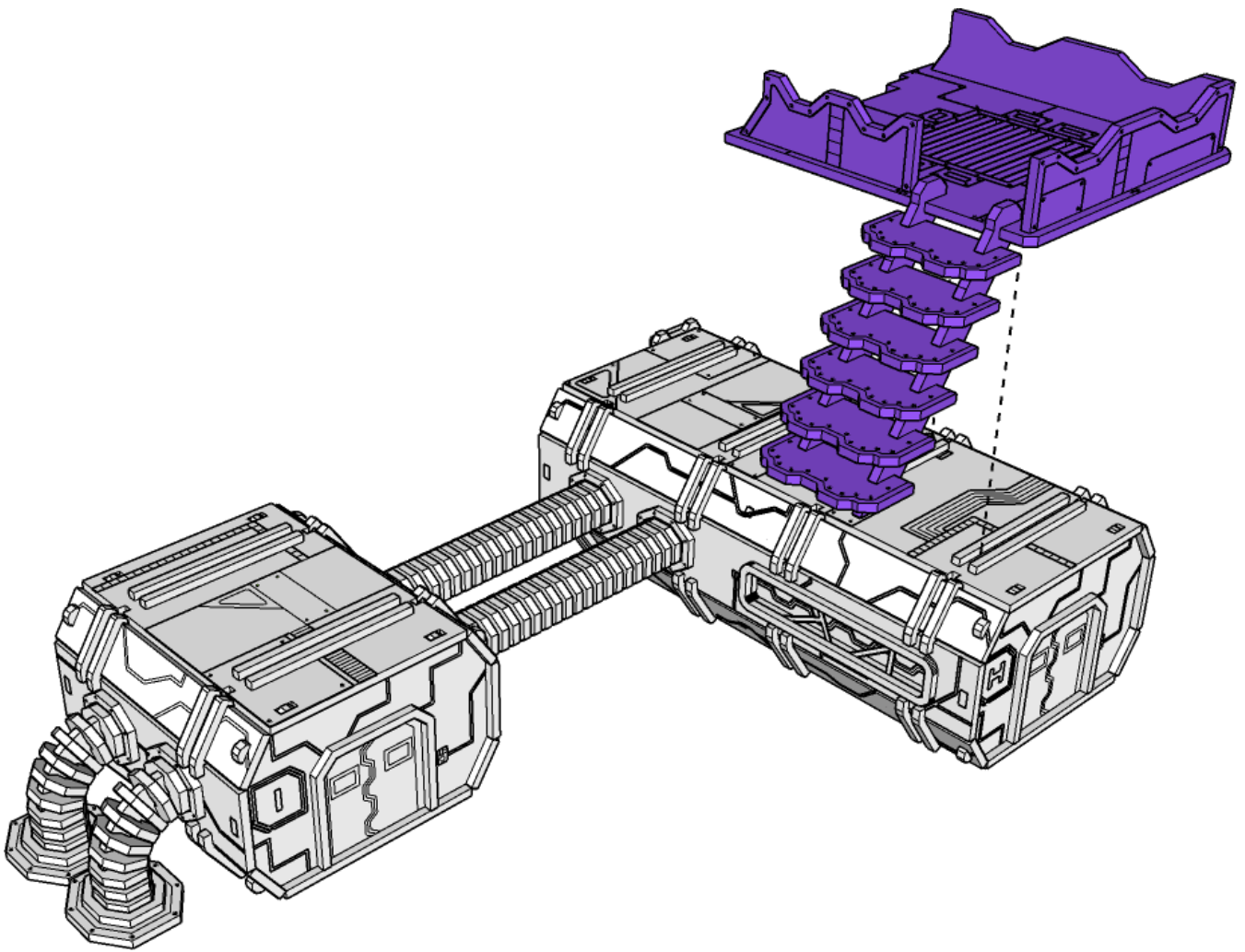
**214**

 **TTCOMBAT**



**TABLETOP  
SCENICS**

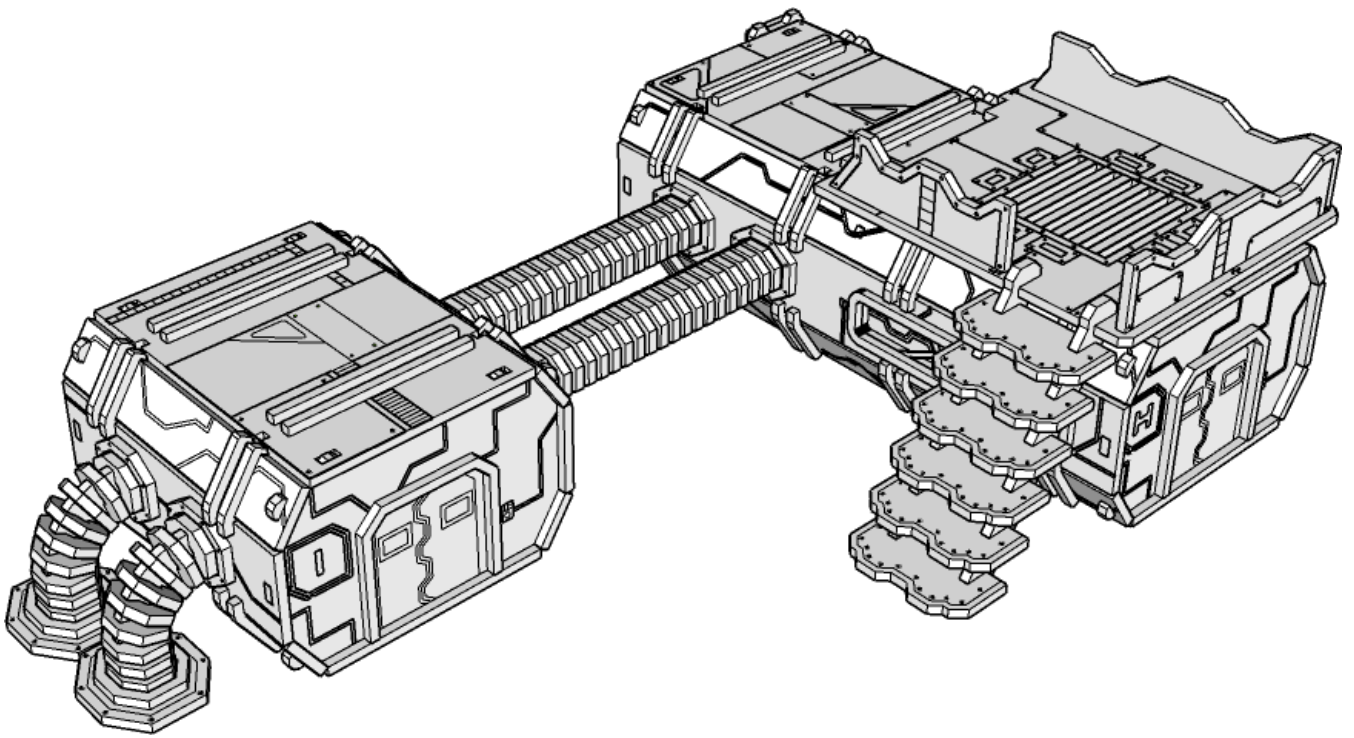
**TTSCW-SFU-106  
Prefab Chemical Lab**





**TABLETOP  
SCENICS**

**TTSCW-SFU-106  
Prefab Chemical Lab**

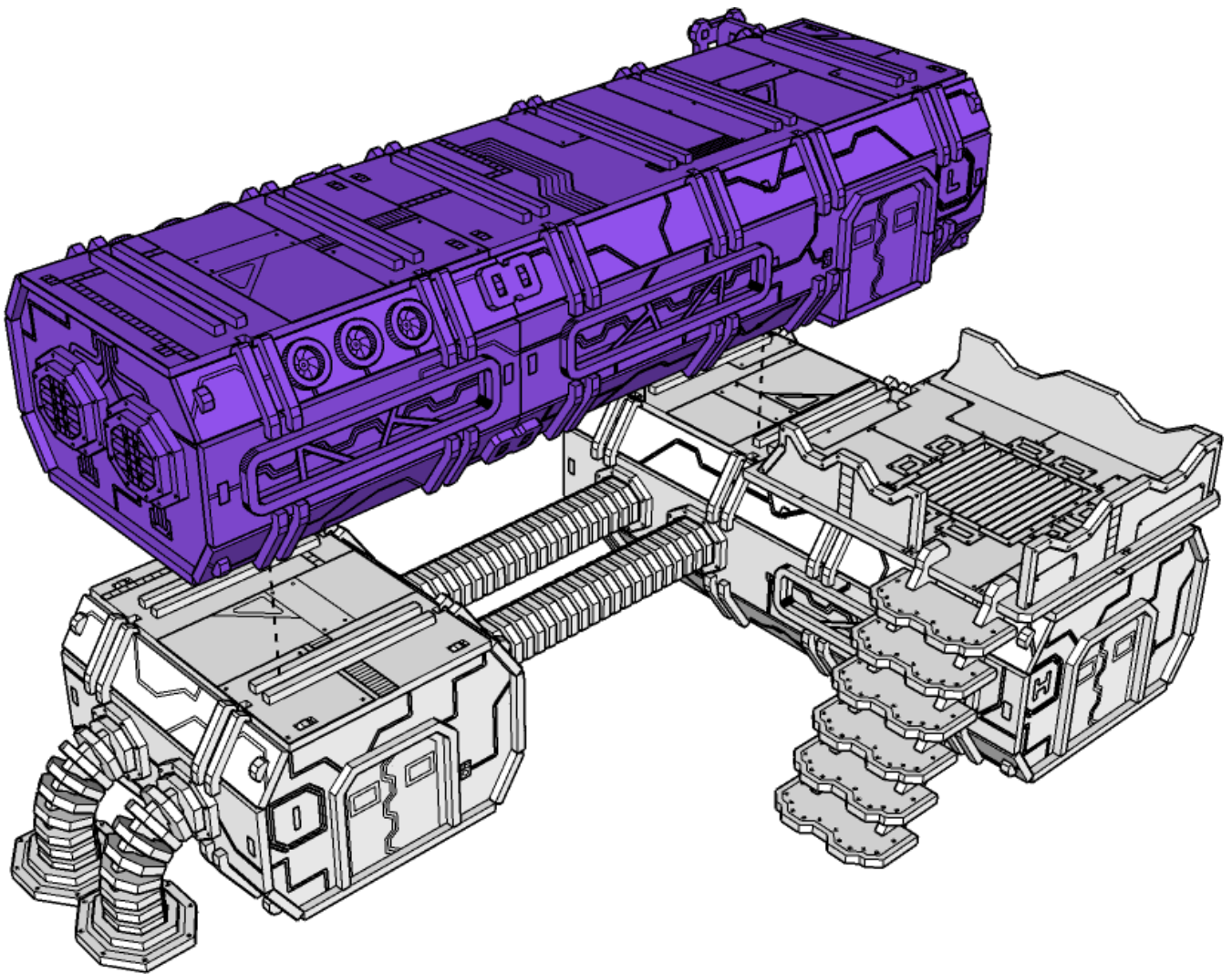






**TABLETOP  
SCENICS**

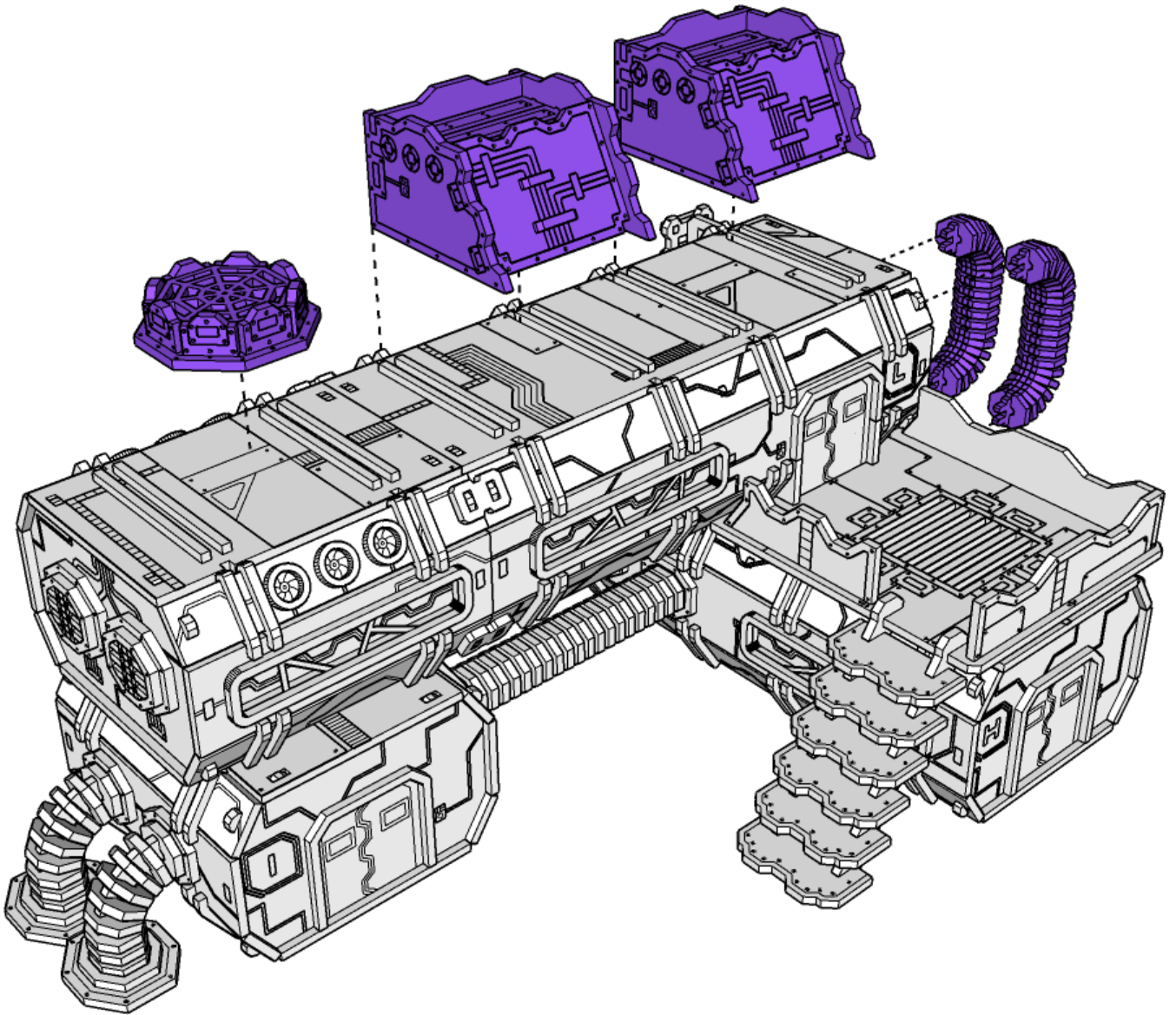
**TTSCW-SFU-106  
Prefab Chemical Lab**





**TABLETOP  
SCENICS**

**TTSCW-SFU-106  
Prefab Chemical Lab**





**TABLETOP  
SCENICS**

**TTSCW-SFU-106  
Prefab Chemical Lab**

