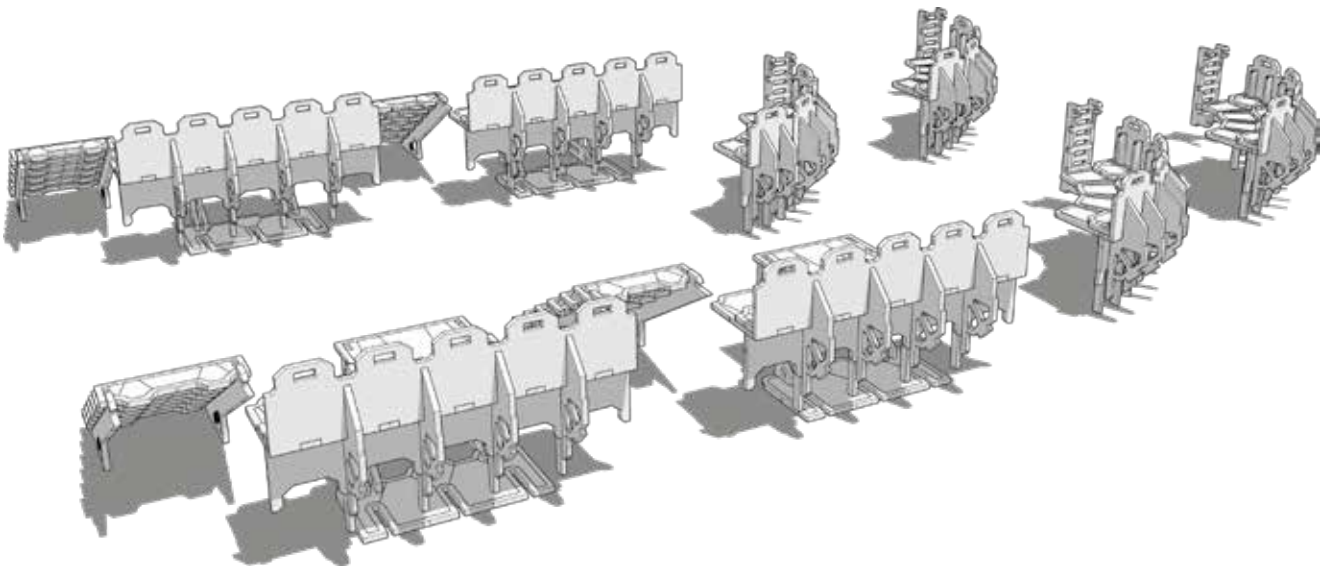




TABLETOP SCENICS

TTSCW-SFG-189 Battlesnap: Outpost Fortress Upgrade





TABLETOP SCENICS

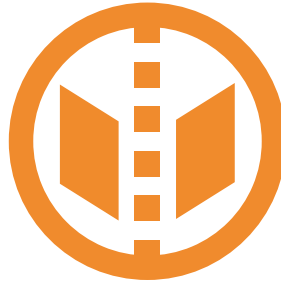
TTSCW-SFG-179
Battlesnap:
Straight

2

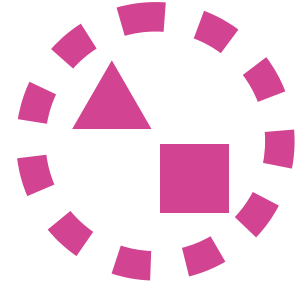
These are a series of icons that may be used throughout the instructions to help your assembly.
If in doubt, scroll ahead to confirm.



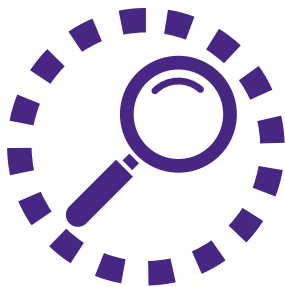
Do not glue this part



Carefully score and
fold this part



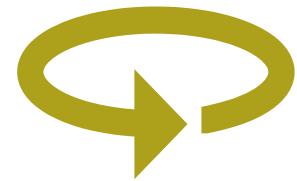
This part - or its placement is
completely optional



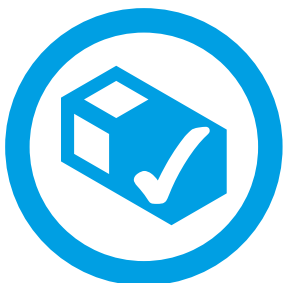
Look closely at this step -
The process order or part
used, may be specific



Repeat making this part
the specified number
of times



The next instruction step
will be the same assembly
so far, but from a different
angle



Sub-assembly complete.
This smaller construction
is ready to add to the
main kit



Assembly Complete! There
could be more optional
parts - check to the very end
of instructions



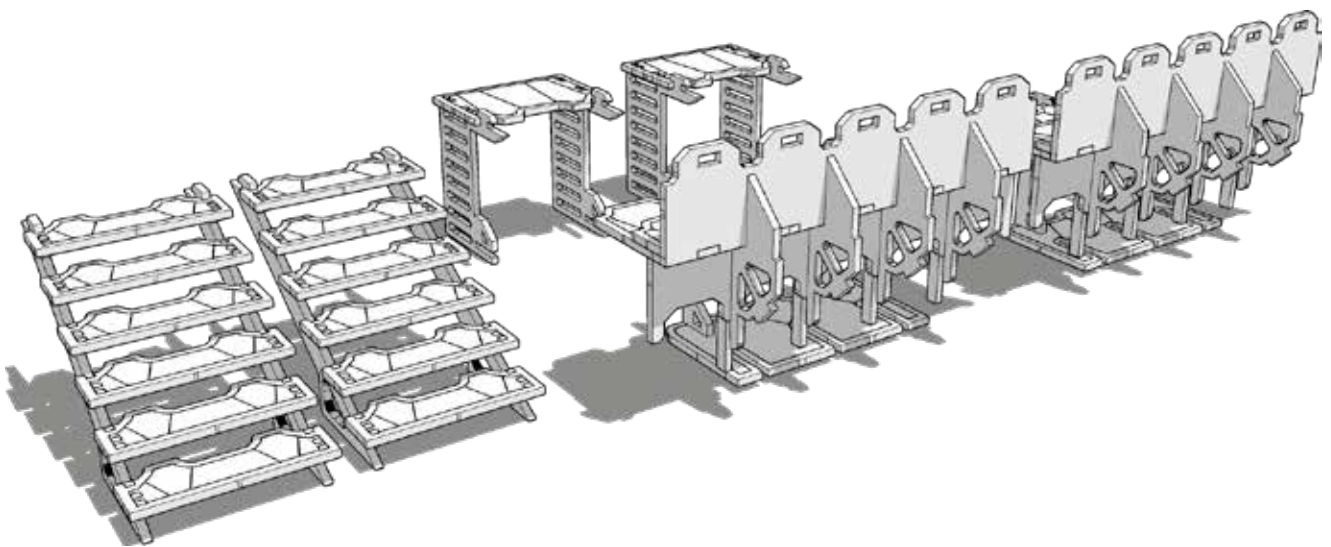
FRAGILE: DO NOT BEND.
“Bendy wood” is designed to
curve around a designed
frame only.



TABLETOP SCENICS

TTSCW-SFG-179
Battlesnap:
Straight

3

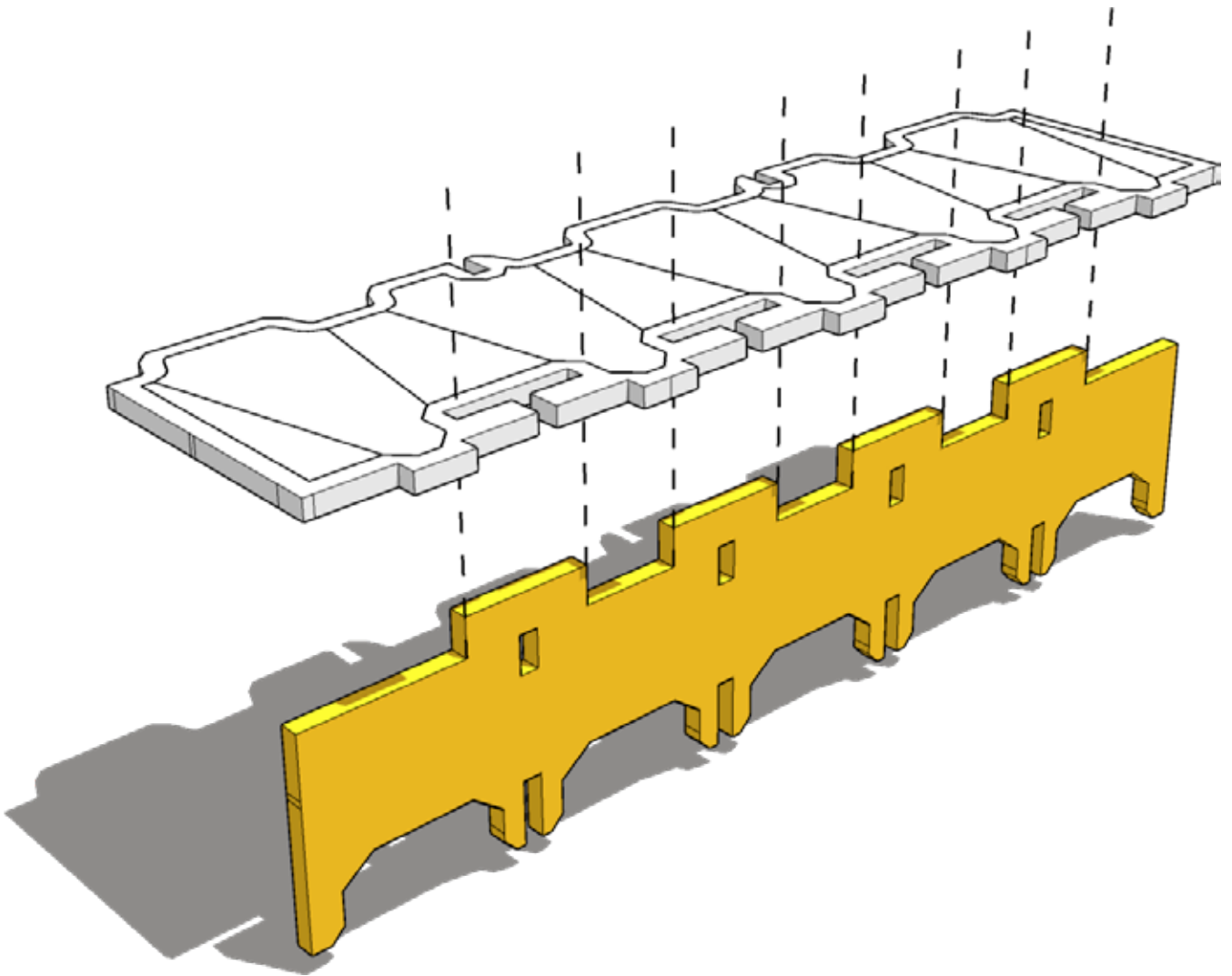




TABLETOP SCENICS

TTSCW-SFG-179
Battlesnap:
Straight

4

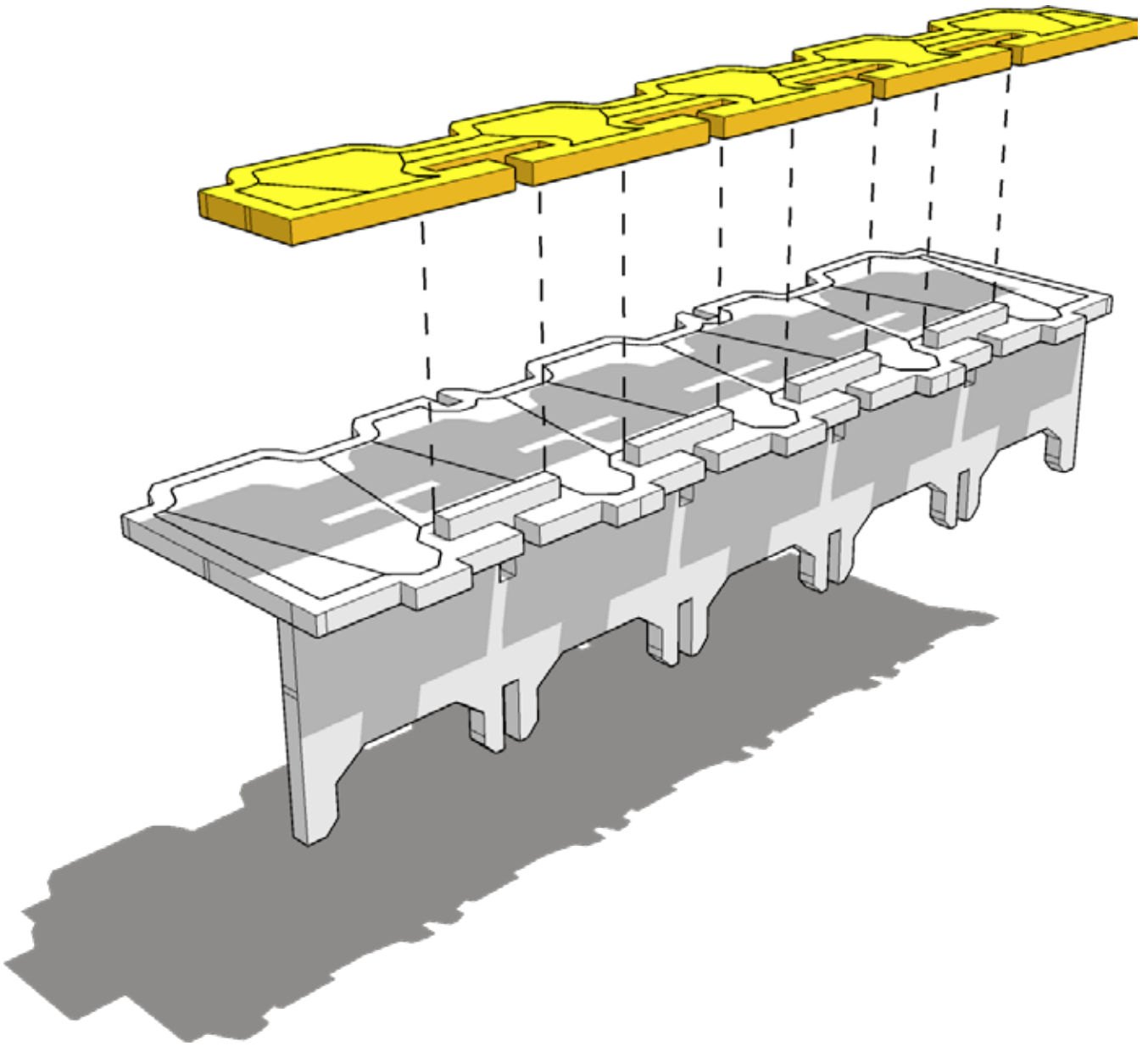




TABLETOP SCENICS

TTSCW-SFG-179
Battlesnap:
Straight

5

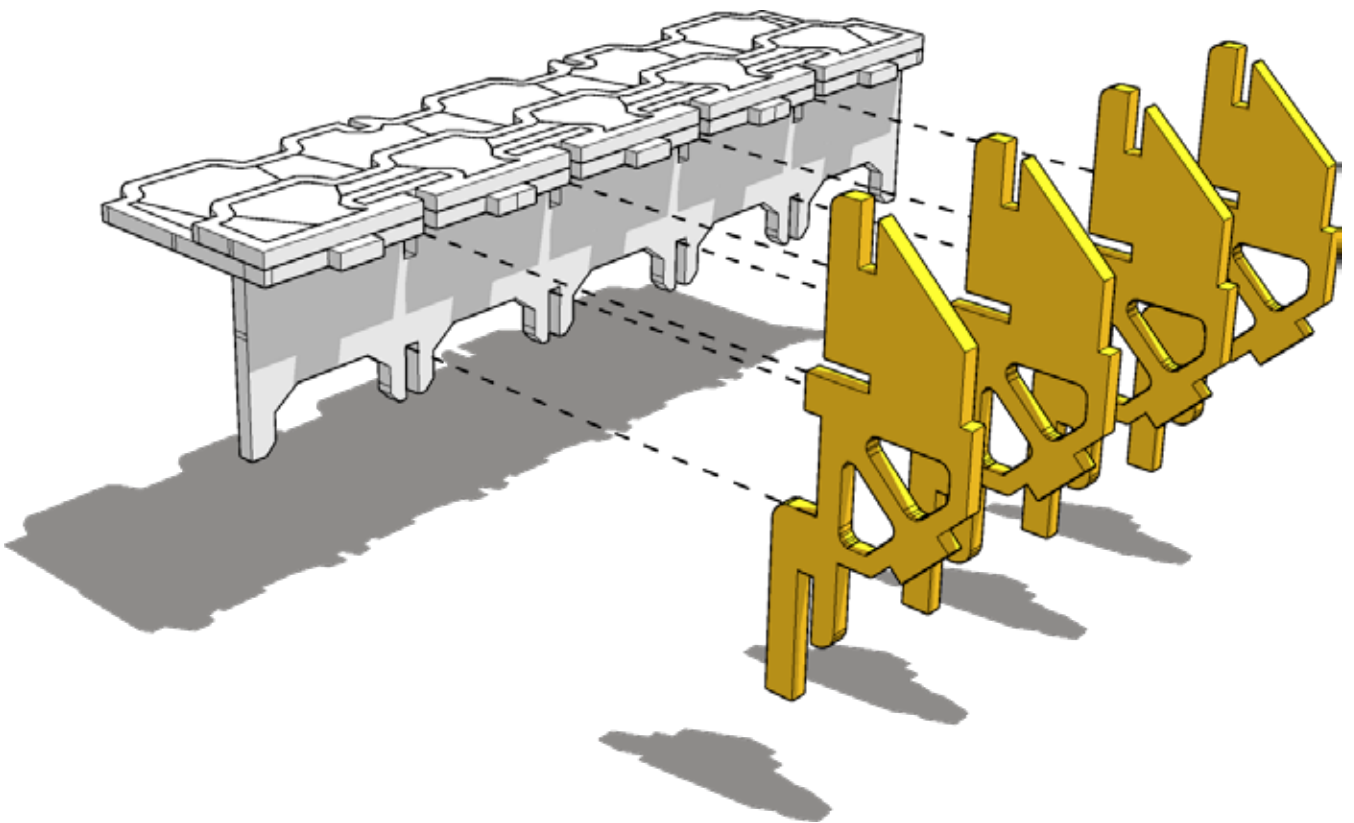




TABLETOP SCENICS

TTSCW-SFG-179
Battlesnap:
Straight

6

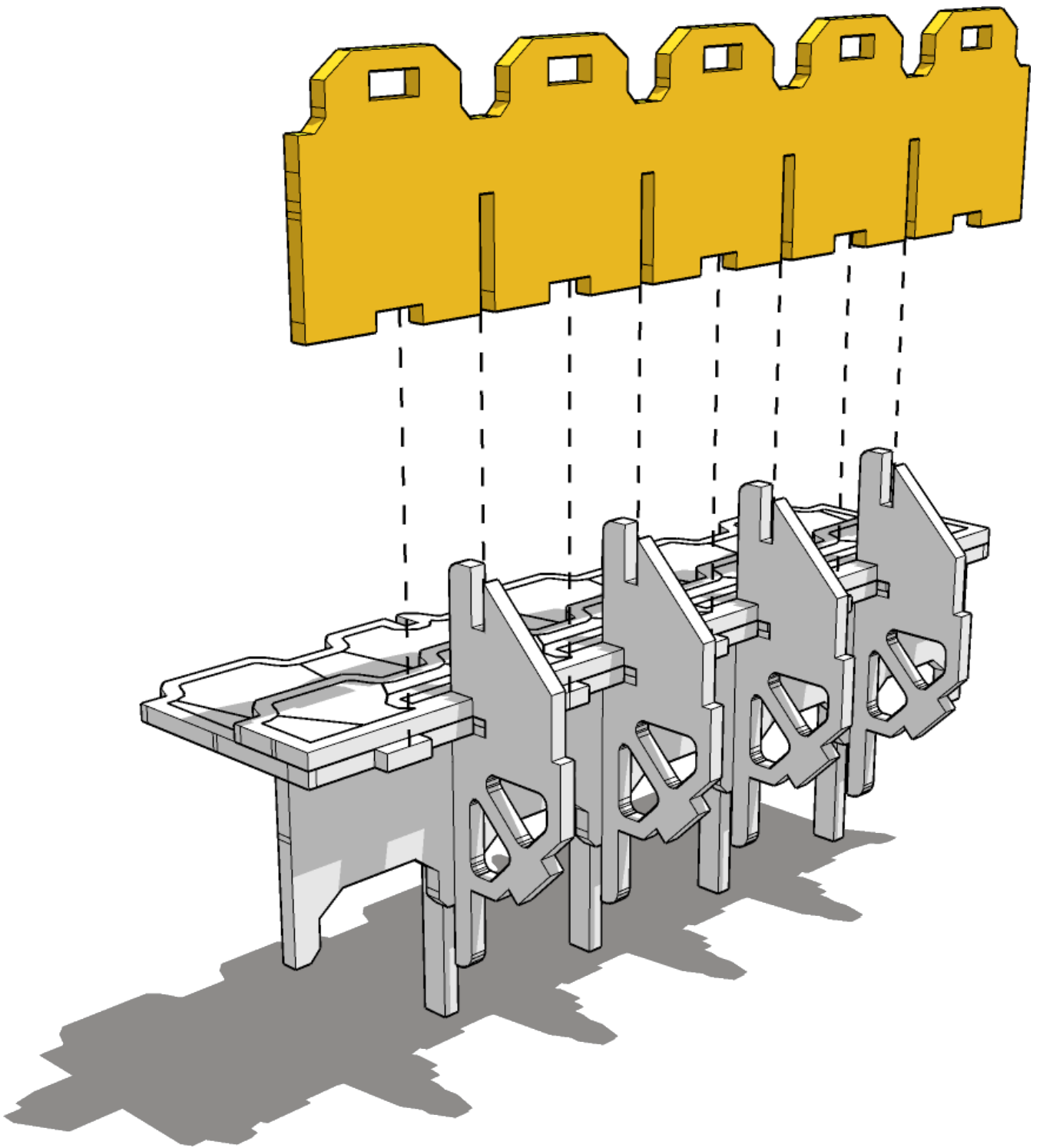




TABLETOP SCENICS

TTSCW-SFG-179
Battlesnap:
Straight

7

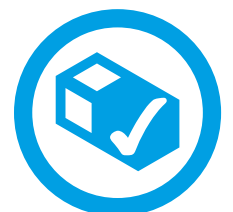
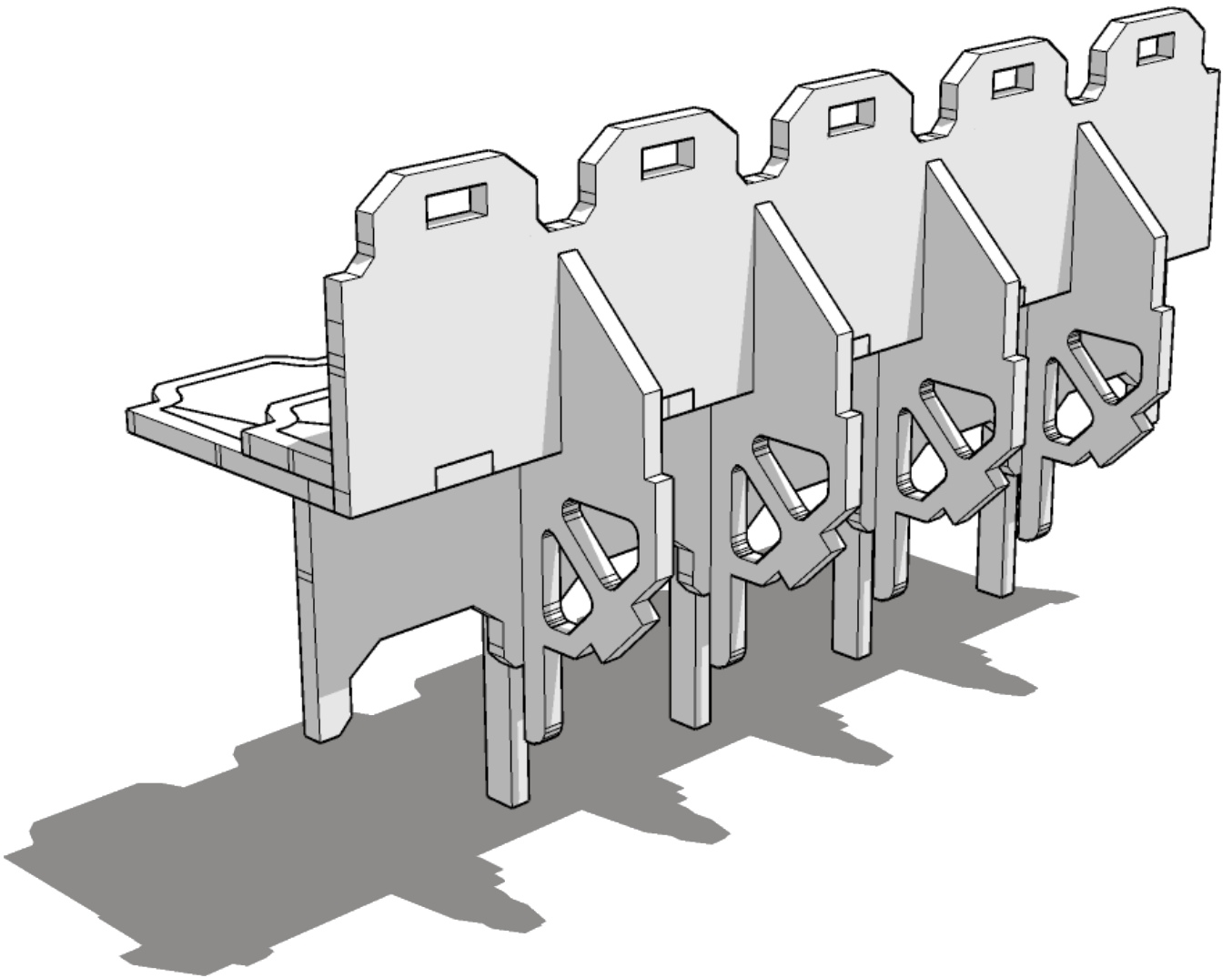




TABLETOP SCENICS

TTSCW-SFG-179
Battlesnap:
Straight

8

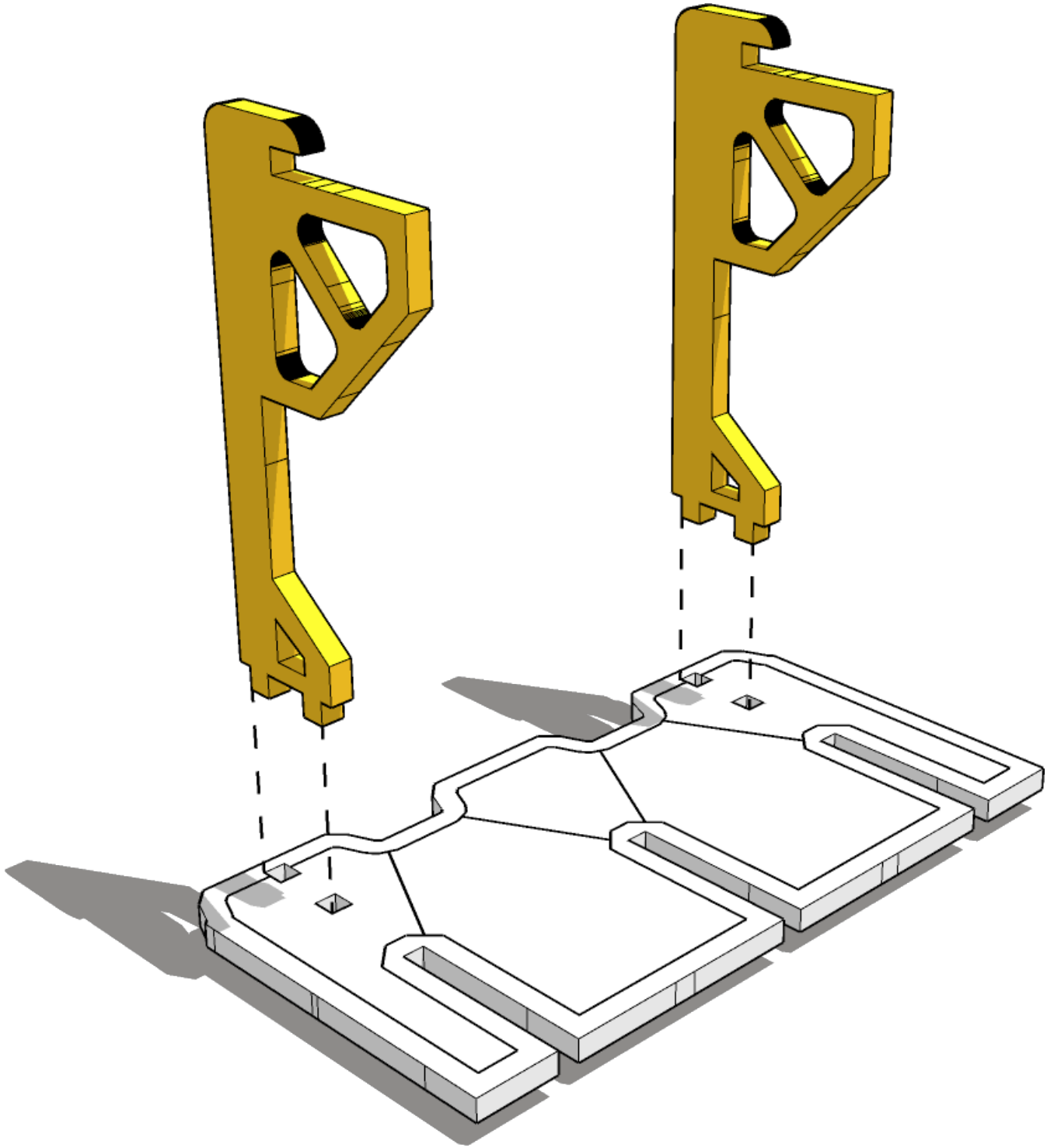




TABLETOP SCENICS

TTSCW-SFG-179
Battlesnap:
Straight

9

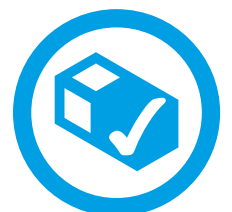
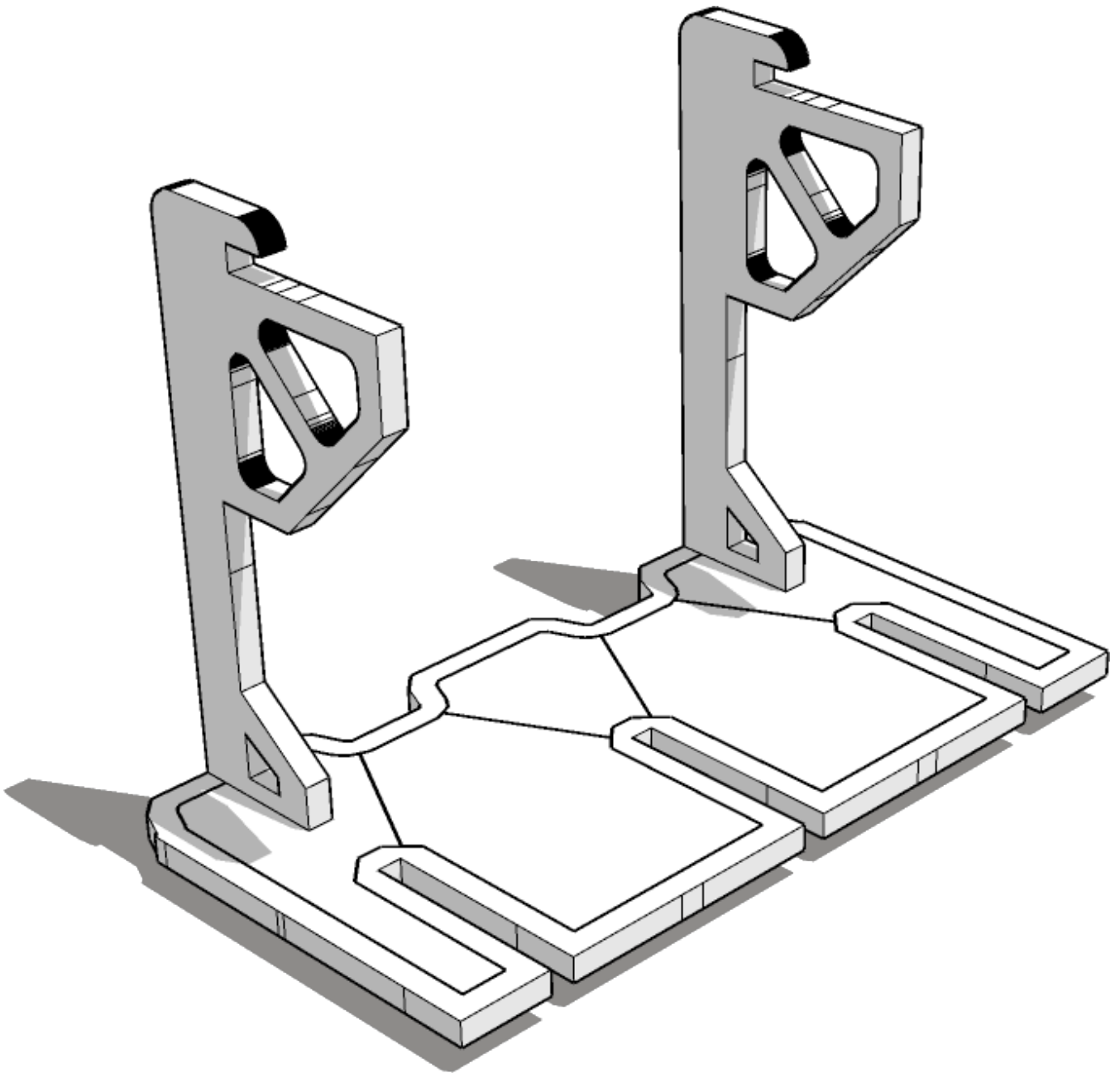




TABLETOP SCENICS

TTSCW-SFG-179
Battlesnap:
Straight

10

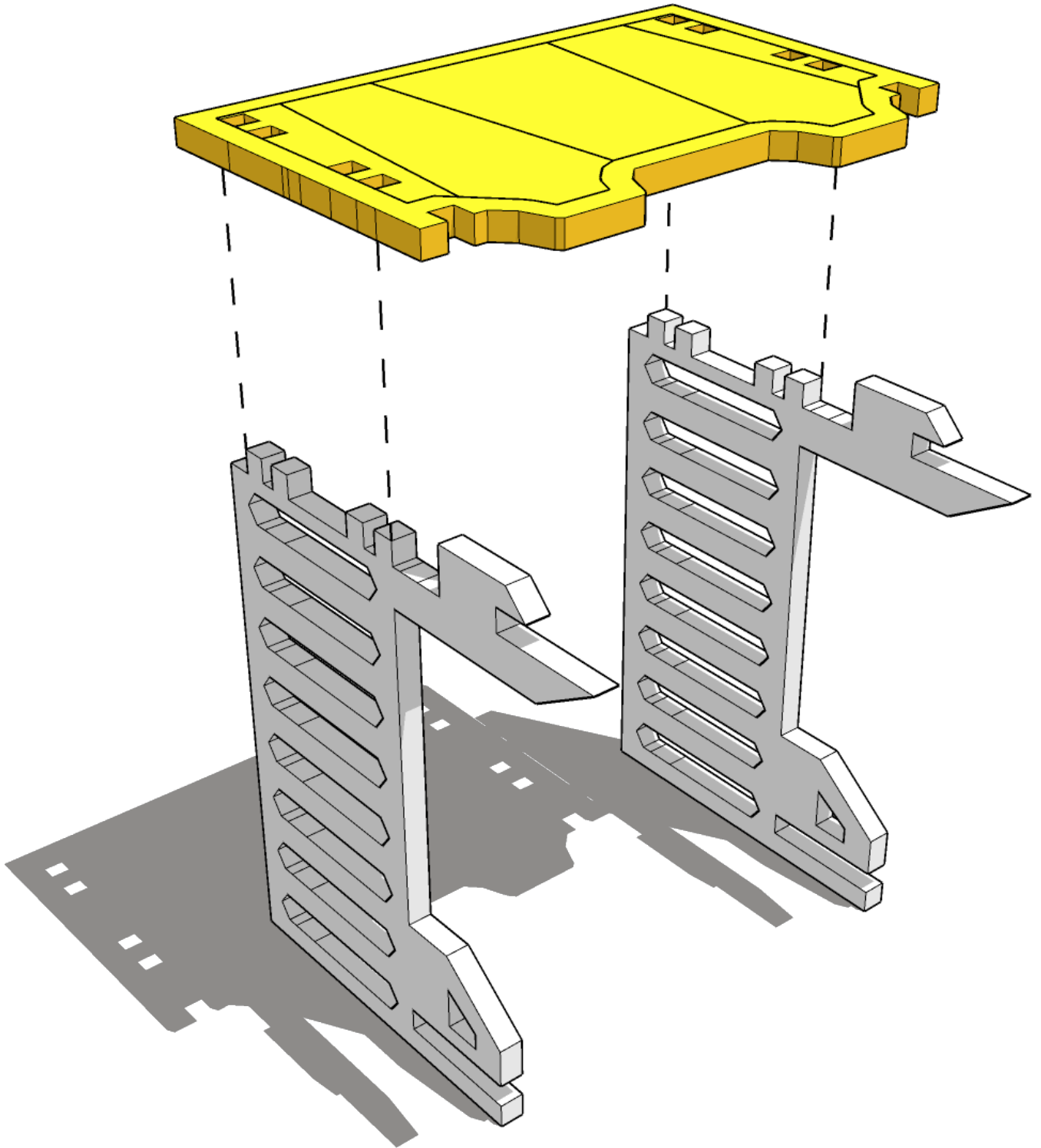




TABLETOP SCENICS

TTSCW-SFG-179
Battlesnap:
Straight

11

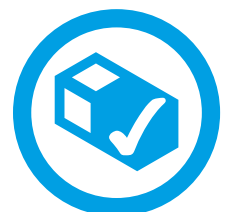
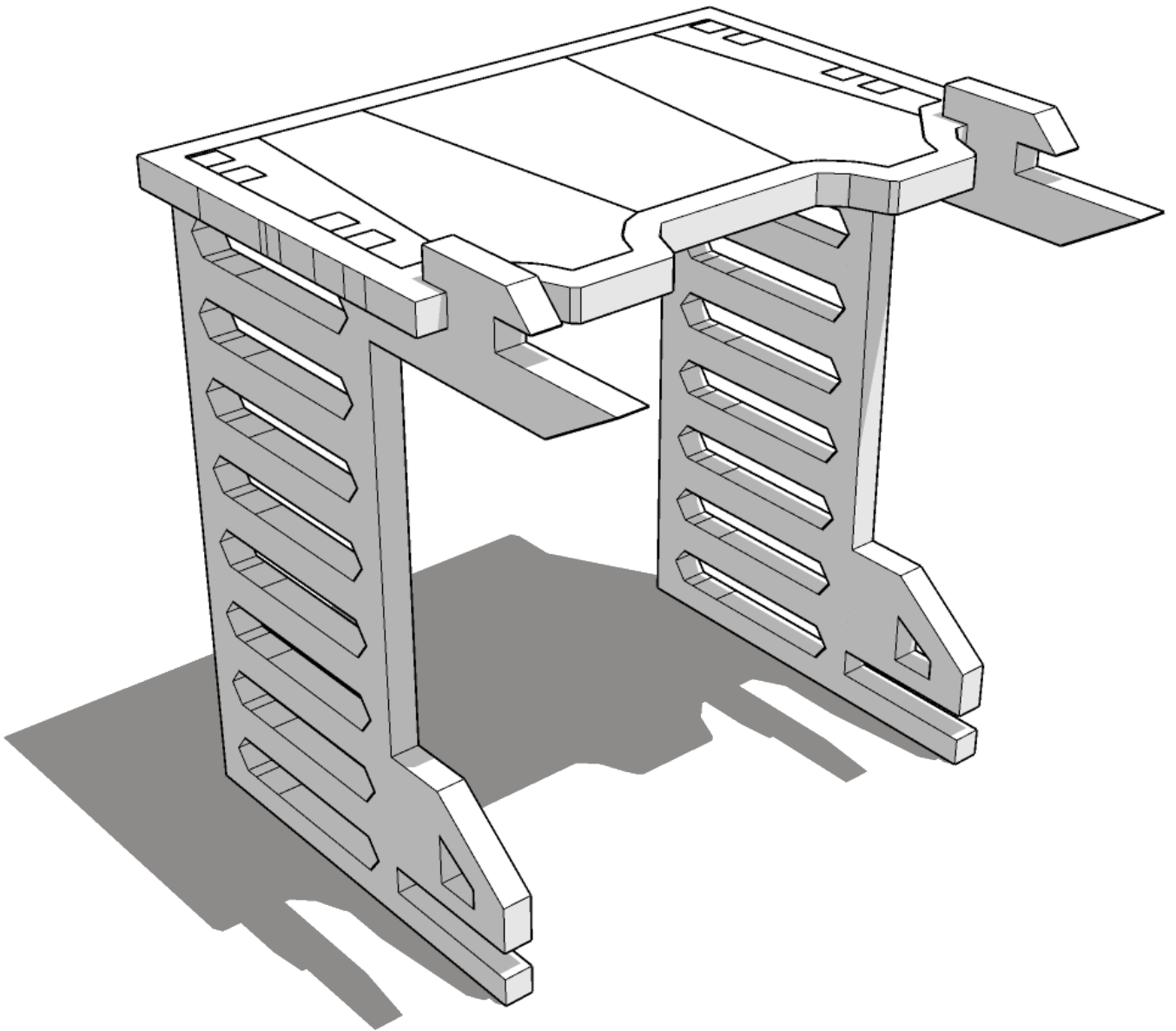




TABLETOP SCENICS

TTSCW-SFG-179
Battlesnap:
Straight

12

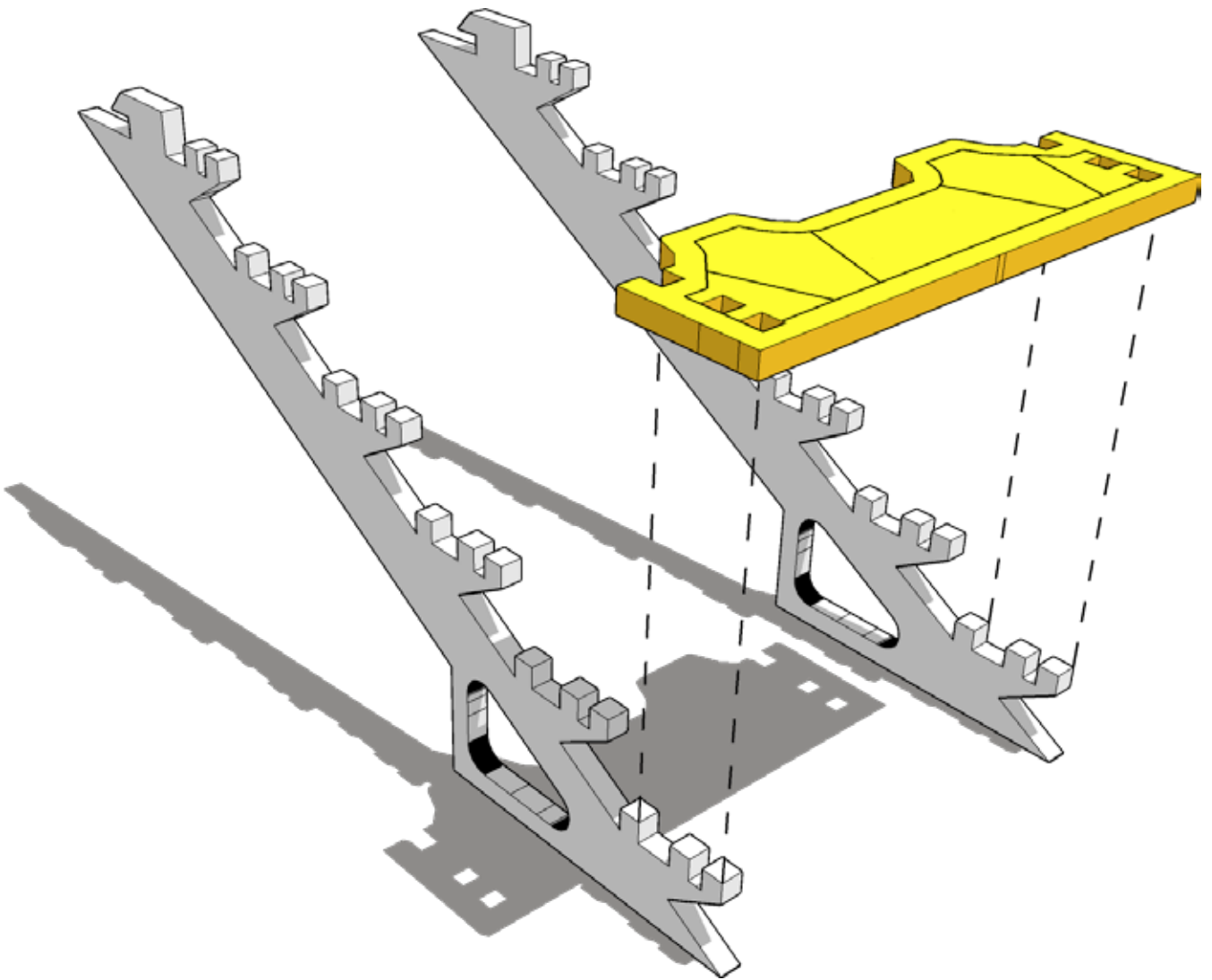




TABLETOP SCENICS

TTSCW-SFG-179
Battlesnap:
Straight

13

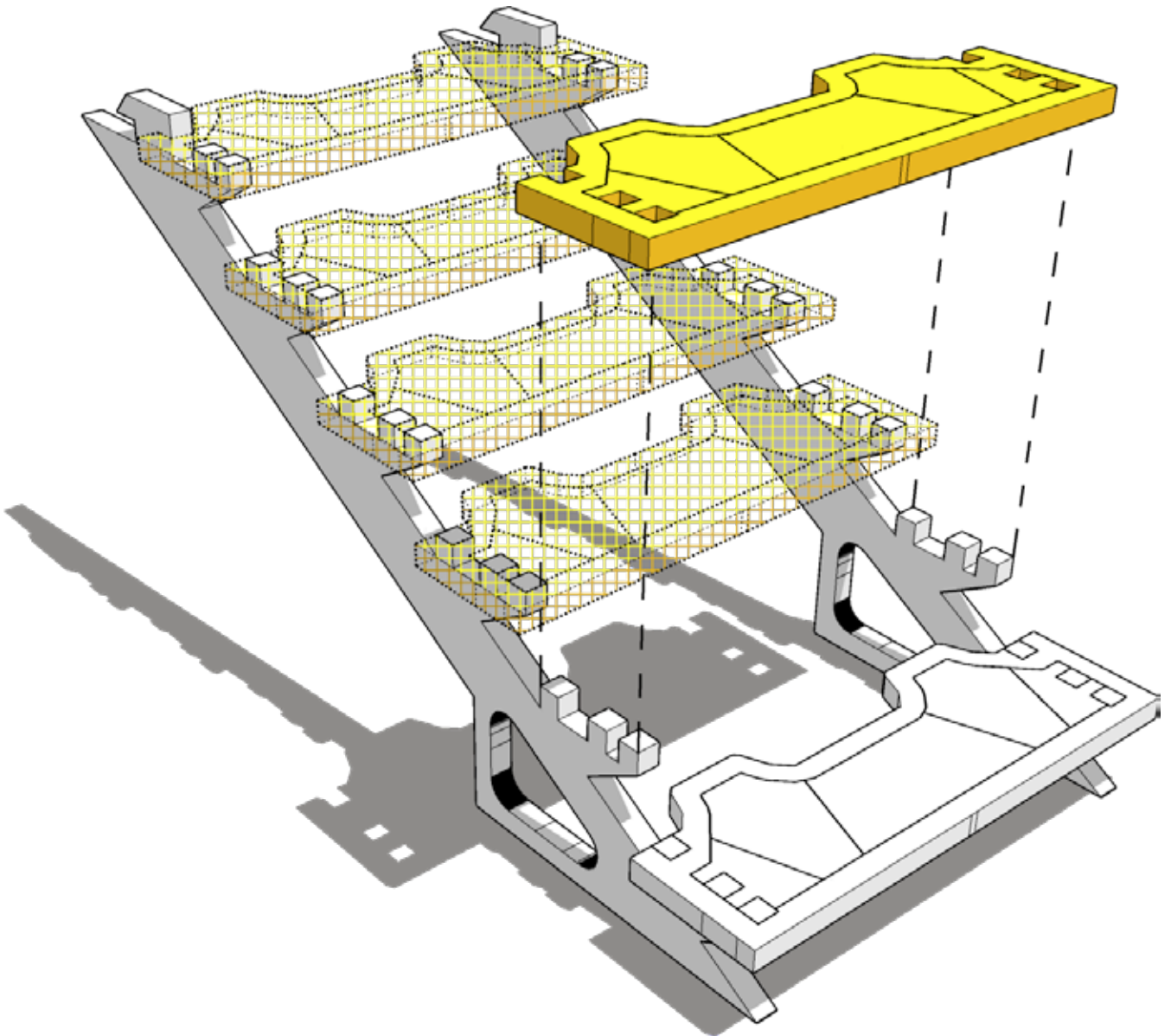




TABLETOP SCENICS

TTSCW-SFG-179
Battlesnap:
Straight

14

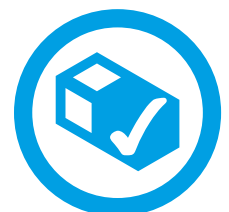
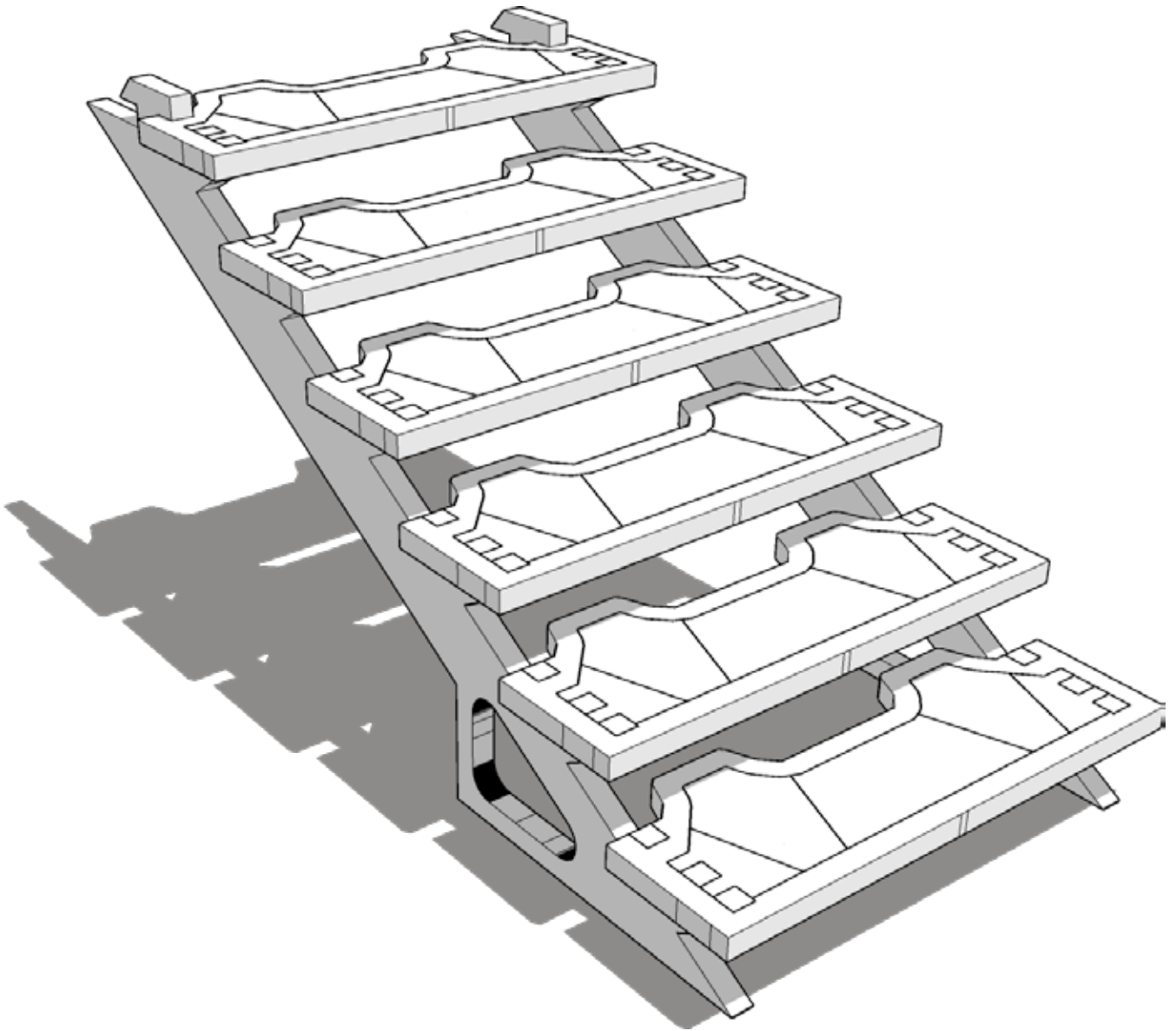




TABLETOP SCENICS

TTSCW-SFG-179
Battlesnap:
Straight

15

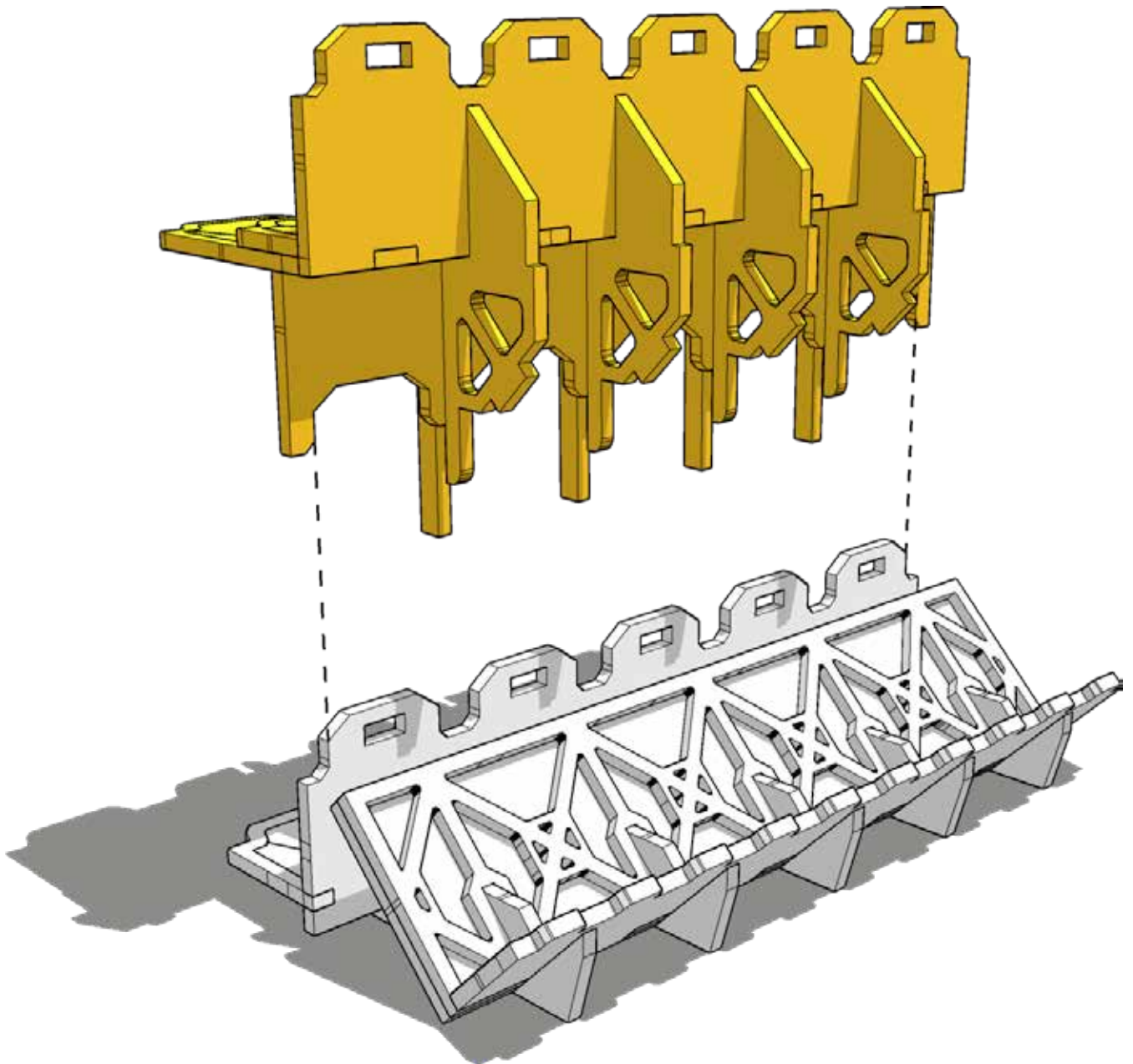




TABLETOP SCENICS

TTSCW-SFG-179
Battlesnap:
Straight

16



Upgrade slots over the straight.
Gluing is optional.

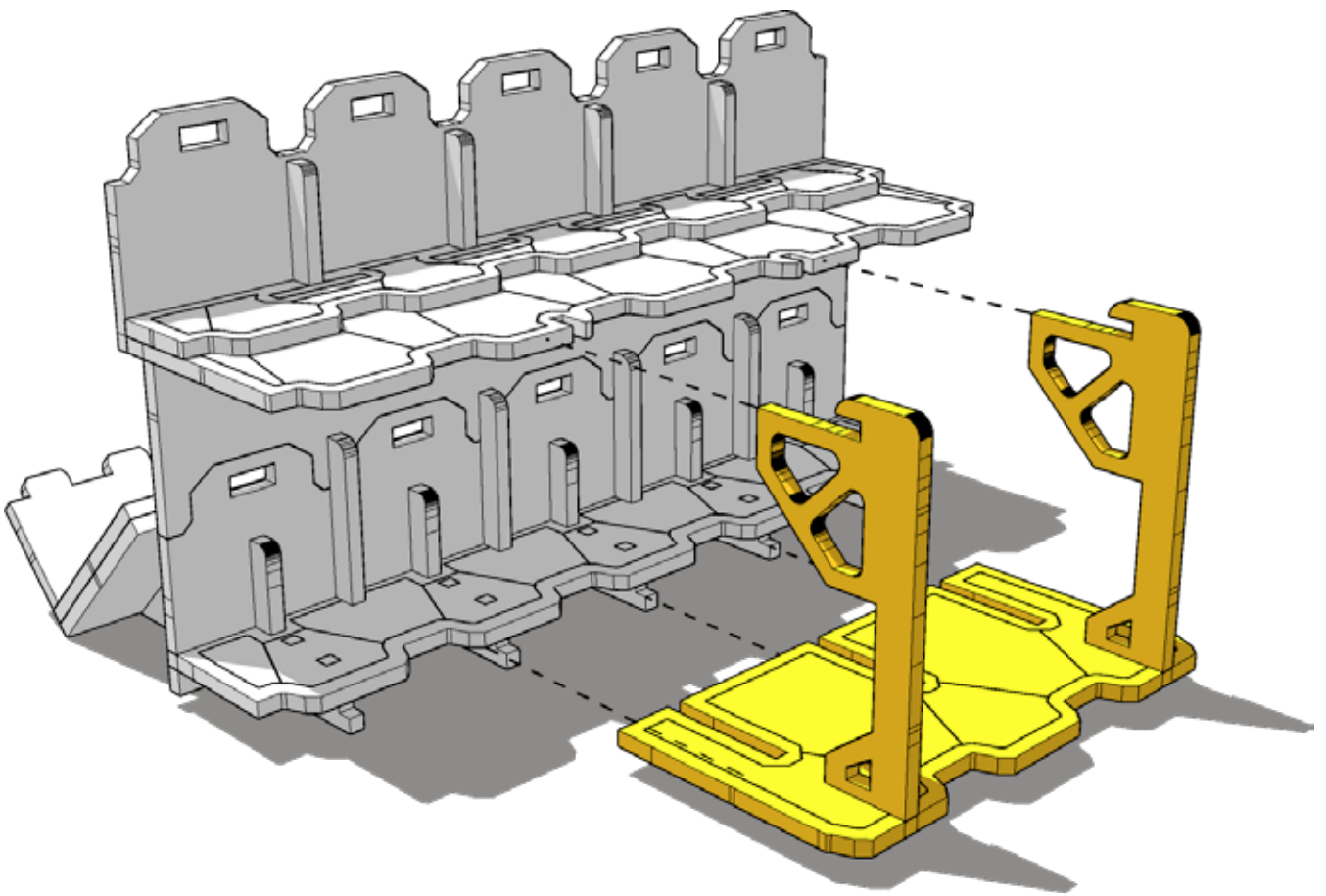




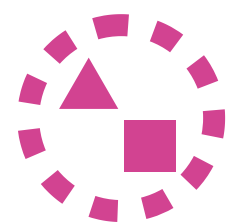
TABLETOP SCENICS

TTSCW-SFG-179
Battlesnap:
Straight

17



Optional layout option



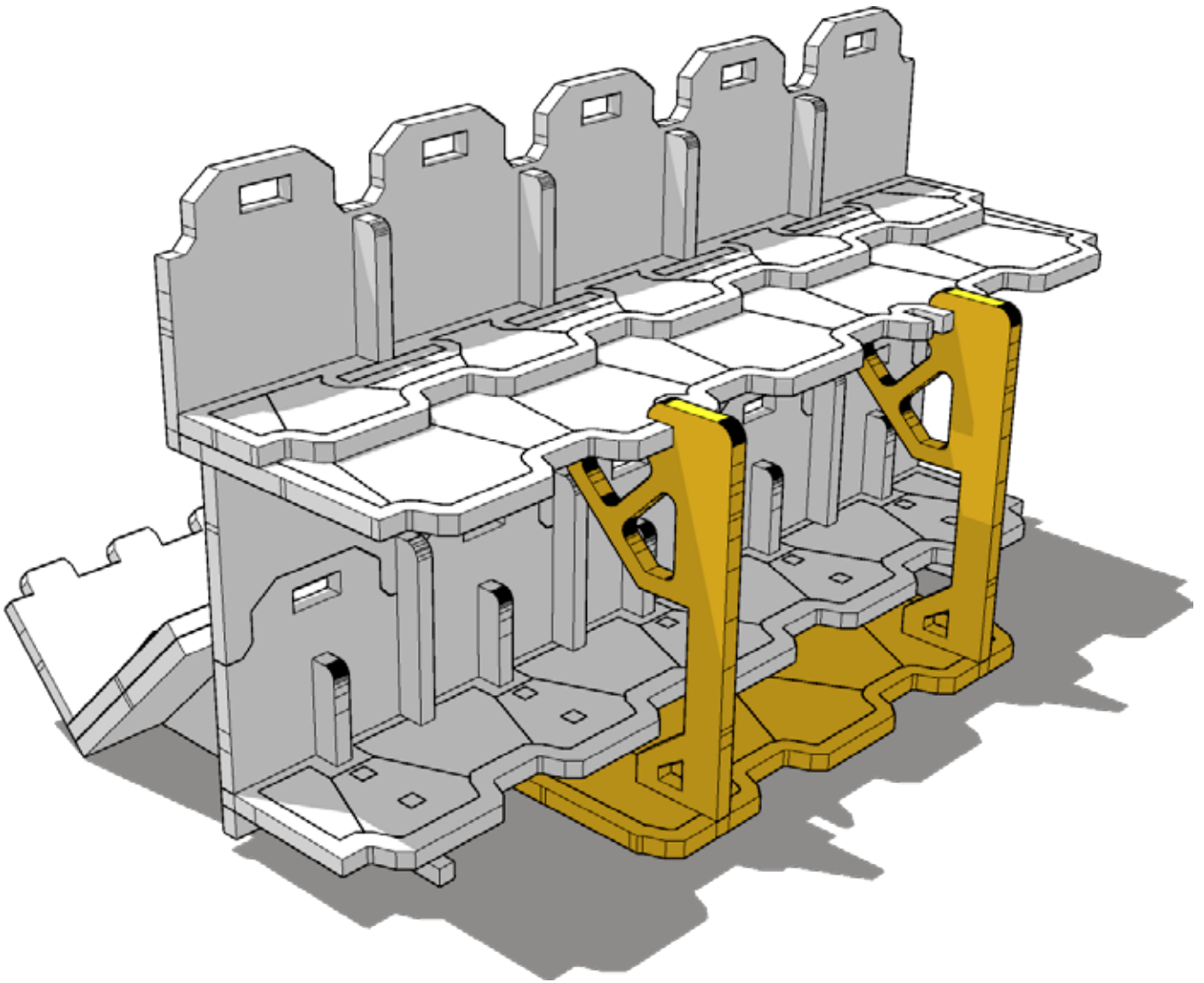
 **TTCOMBAT**



TABLETOP SCENICS

TTSCW-SFG-179
Battlesnap:
Straight

18

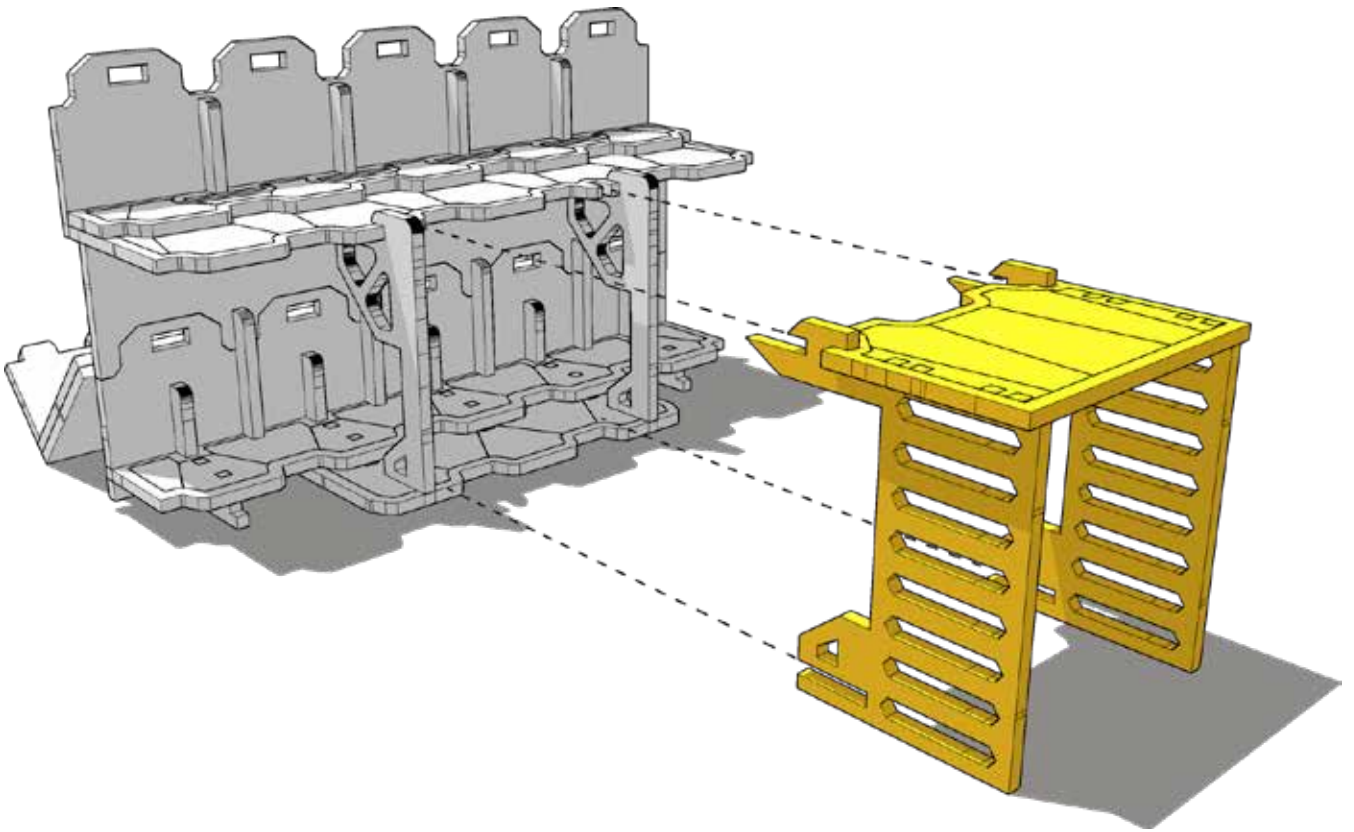




TABLETOP SCENICS

TTSCW-SFG-179
Battlesnap:
Straight

19

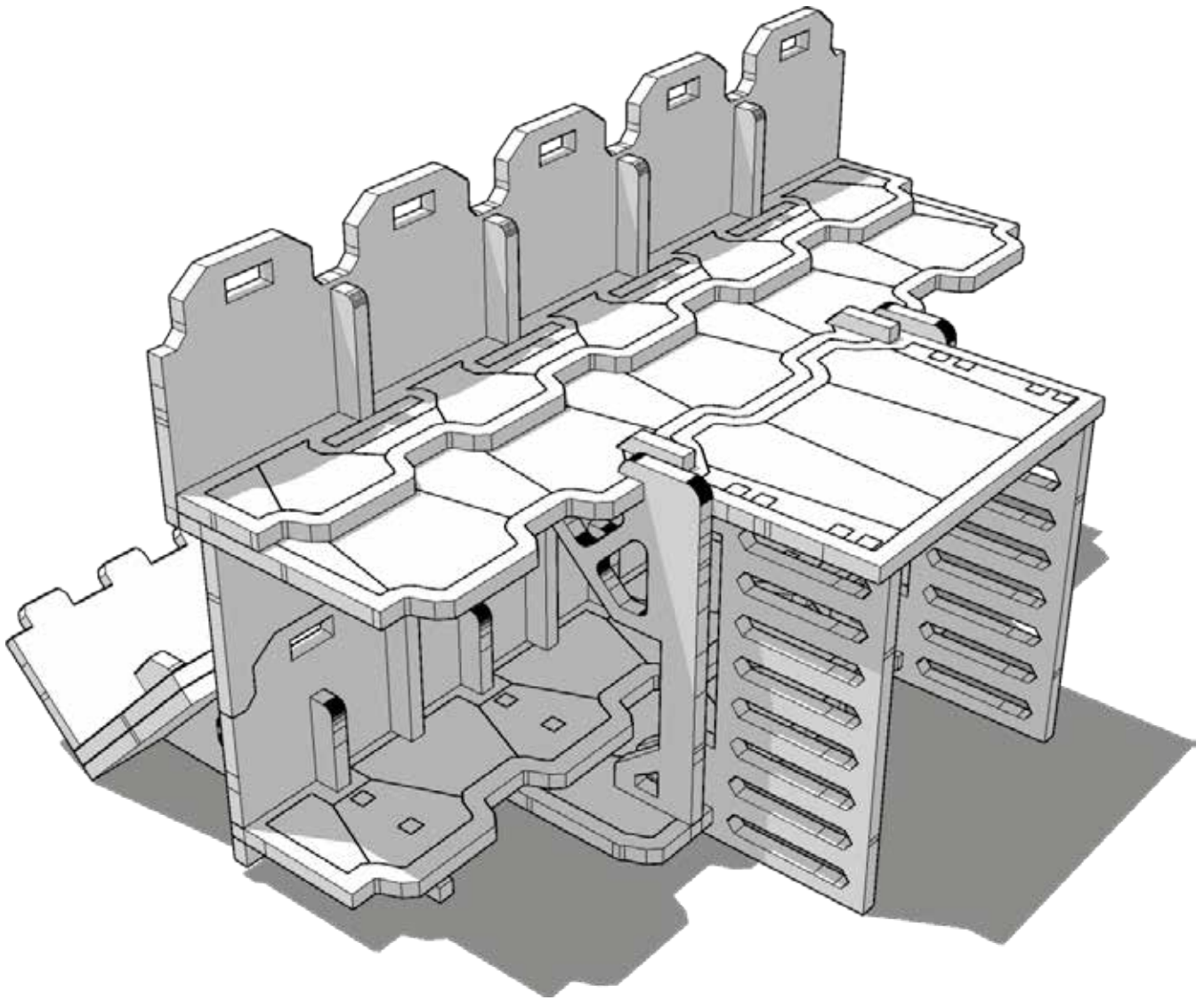




TABLETOP SCENICS

20

TTSCW-SFG-179
Battlesnap:
Straight

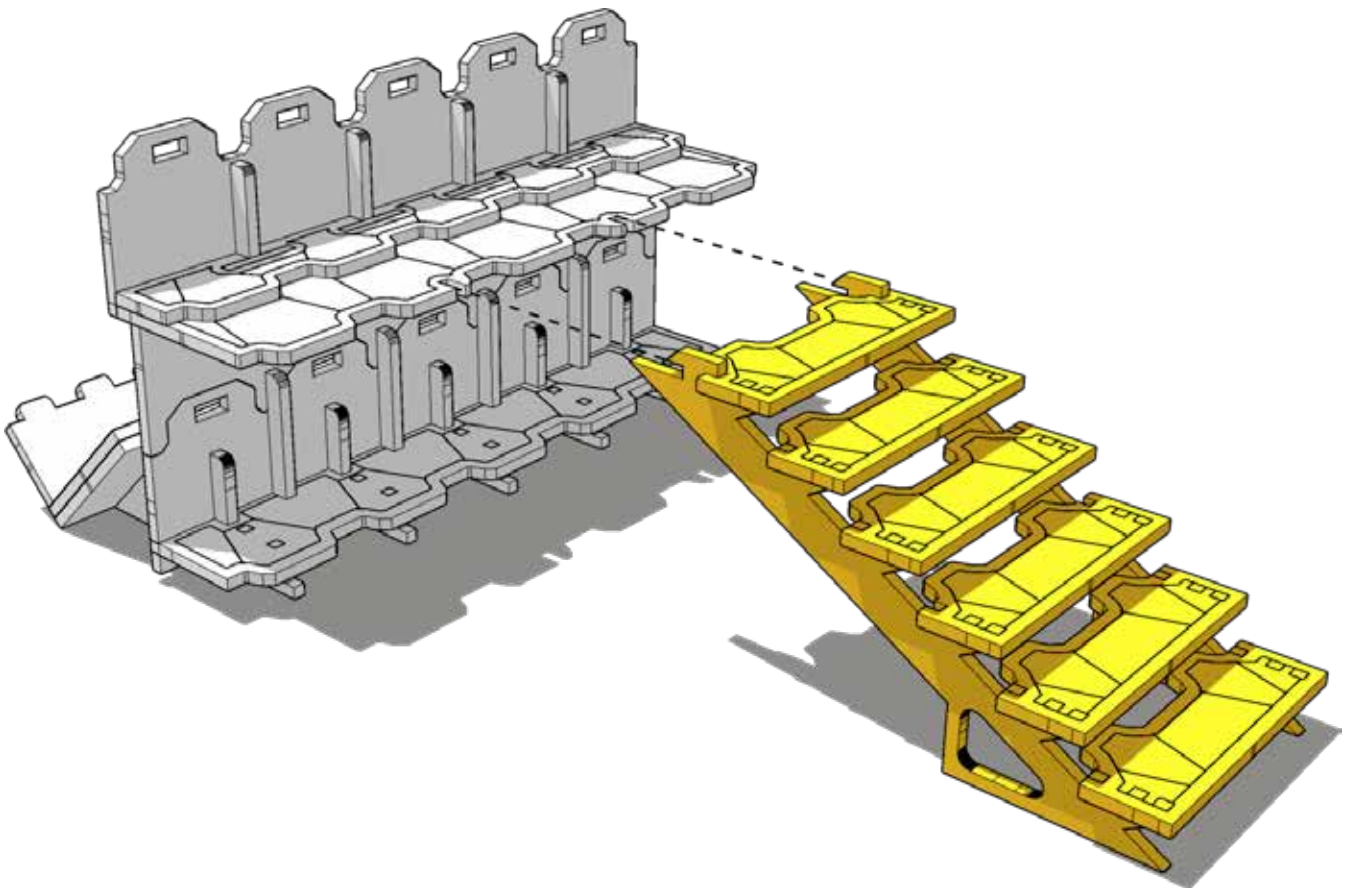




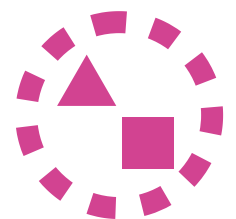
TABLETOP SCENICS

TTSCW-SFG-179
Battlesnap:
Straight

21



Optional layout



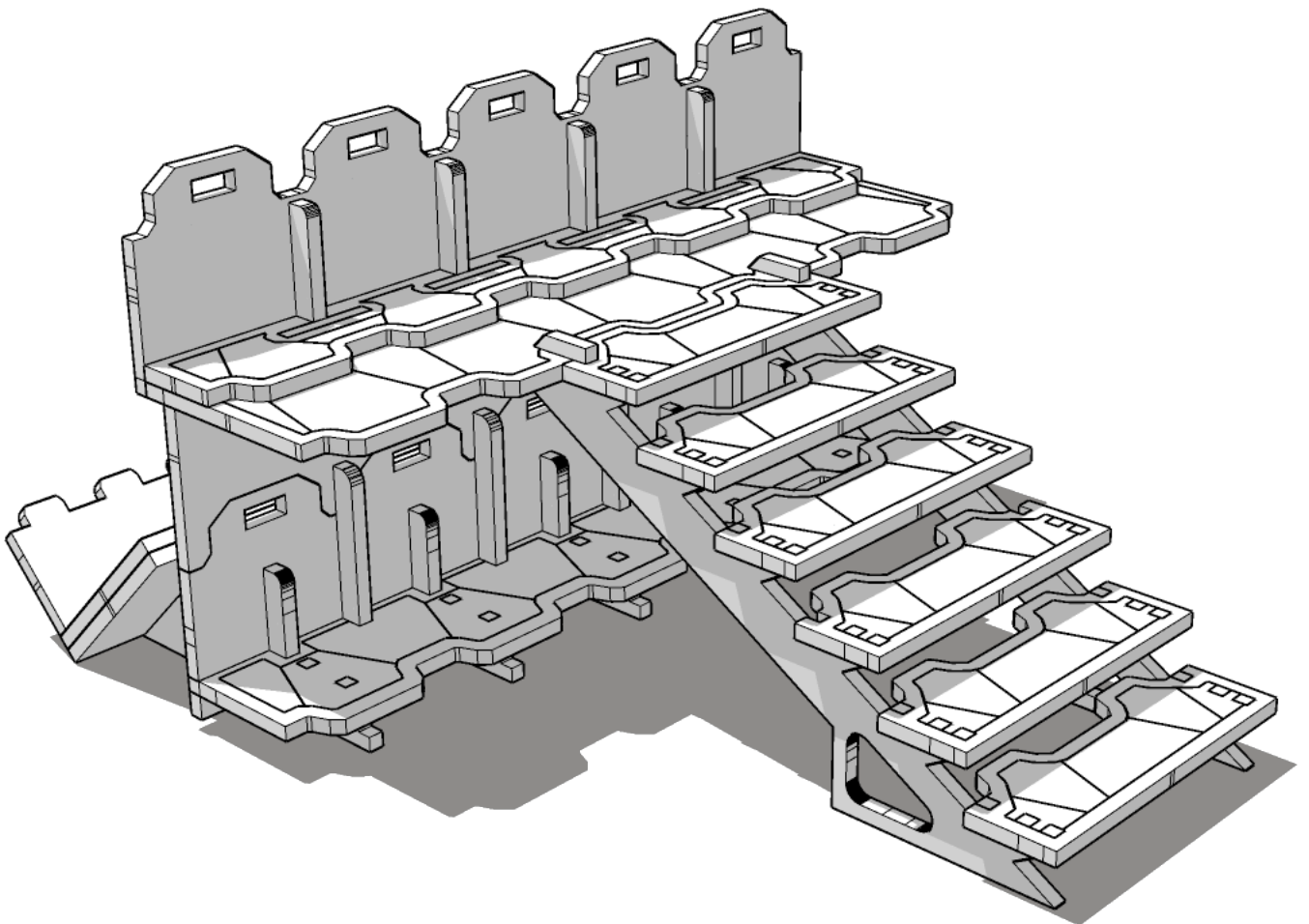
 **TTCOMBAT**



TABLETOP SCENICS

TTSCW-SFG-179
Battlesnap:
Straight

22

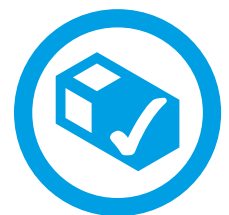
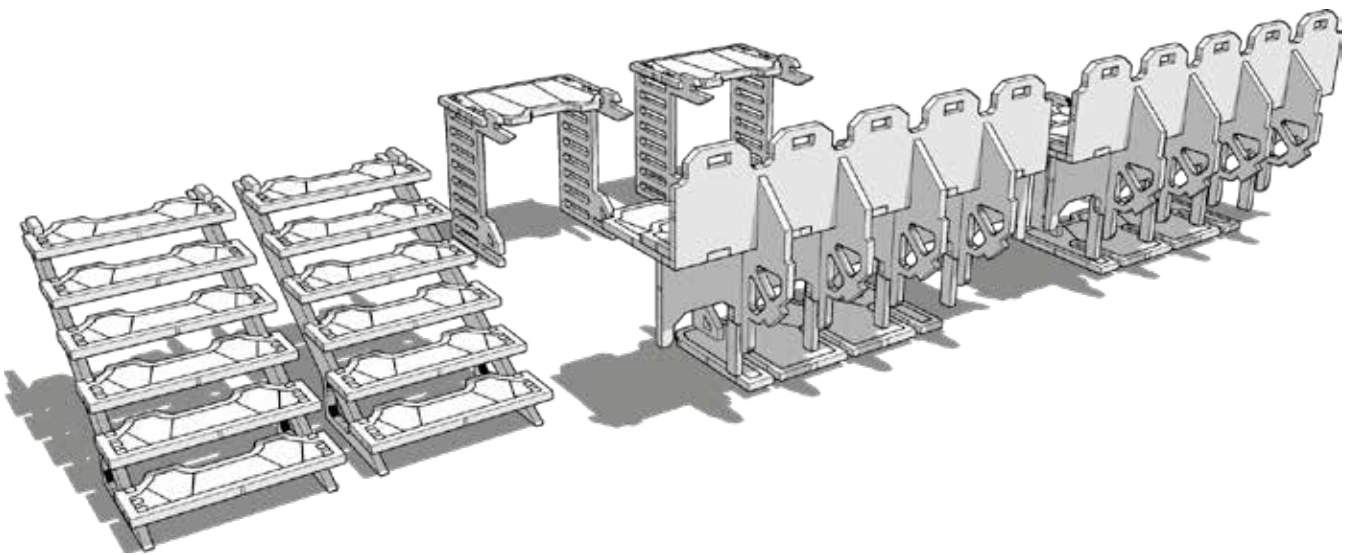




TABLETOP SCENICS

TTSCW-SFG-179
Battlesnap:
Straight

23



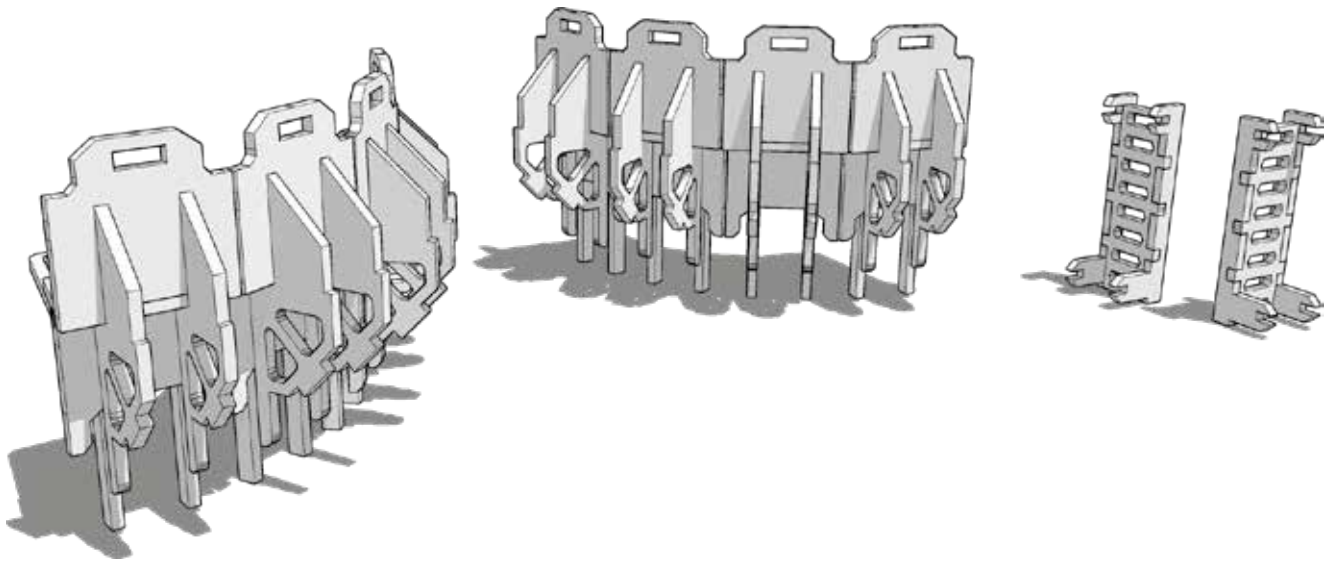
 **TTCOMBAT**



TABLETOP SCENICS

TTSCW-SFG-179
Battlesnap:
Straight

24



Outer Corner Upgrades

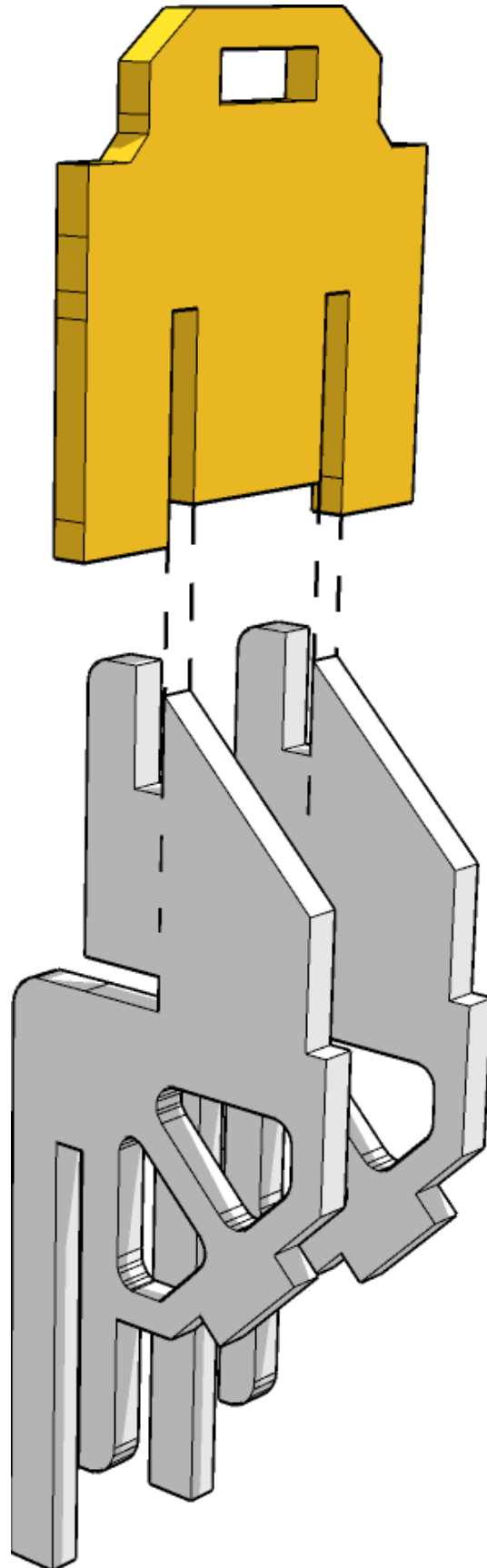




TABLETOP SCENICS

TTSCW-SFG-179
Battlesnap:
Straight

25

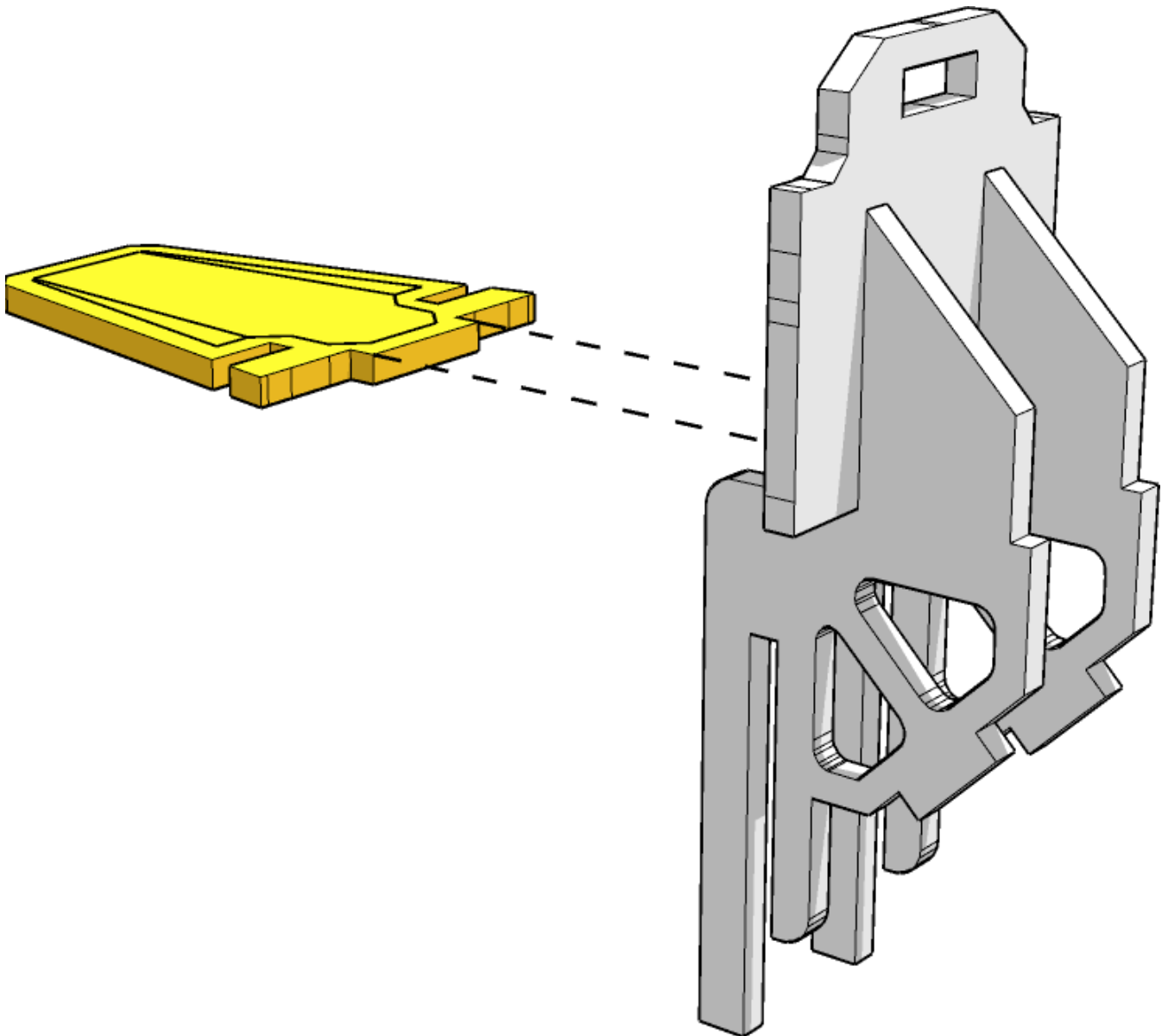




TABLETOP SCENICS

TTSCW-SFG-179
Battlesnap:
Straight

26

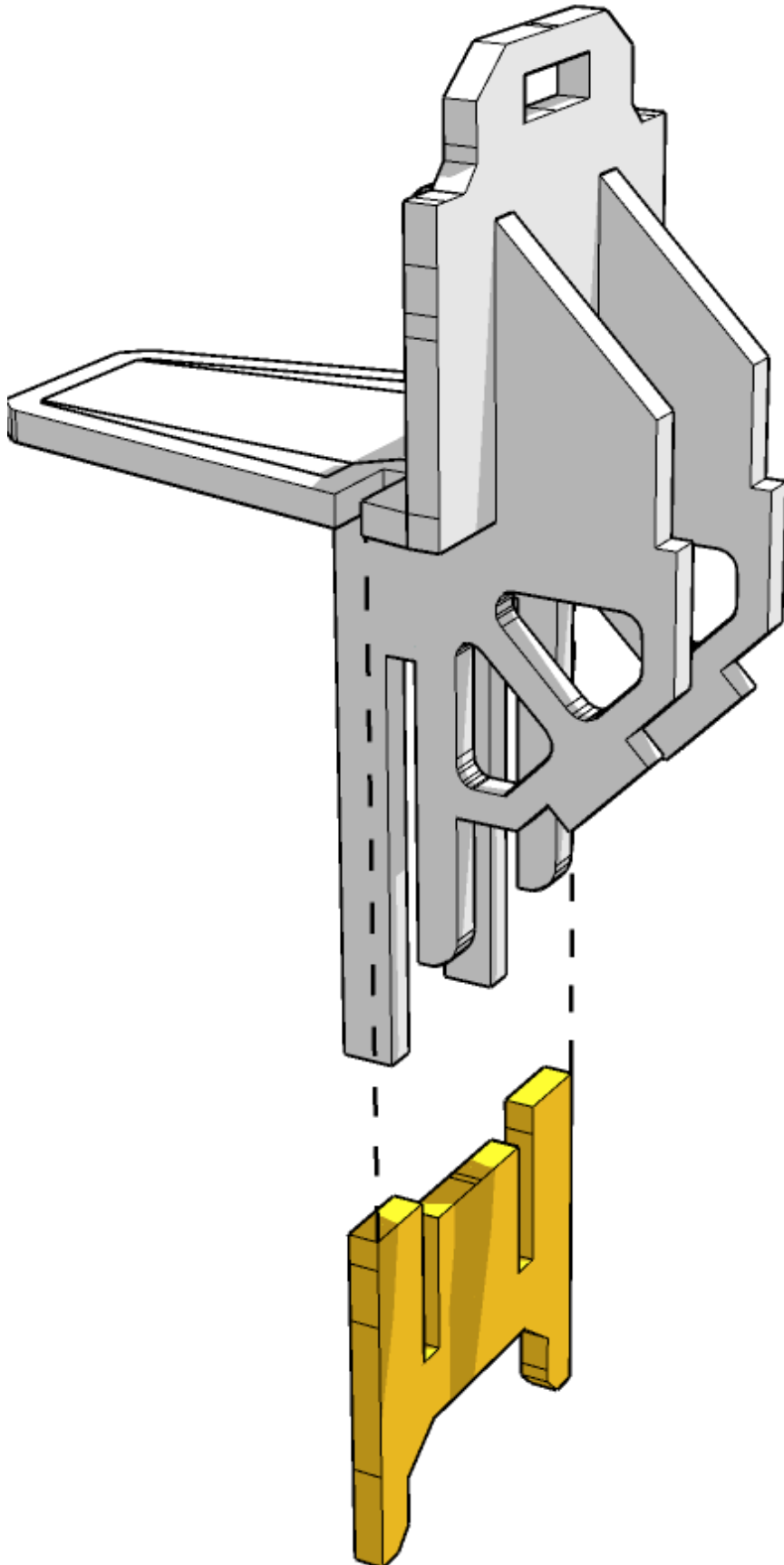




TABLETOP SCENICS

TTSCW-SFG-179
Battlesnap:
Straight

27

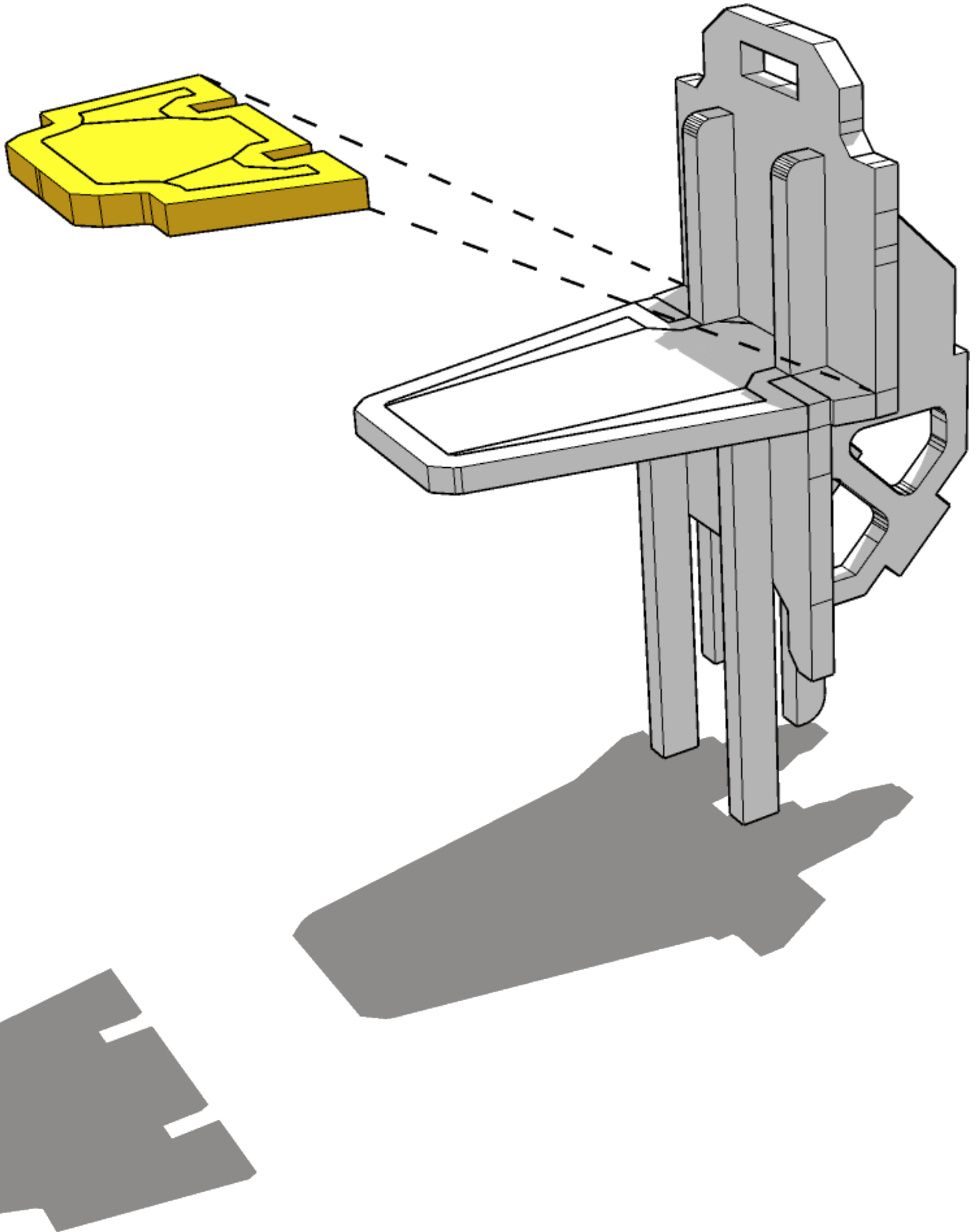




TABLETOP SCENICS

TTSCW-SFG-179
Battlesnap:
Straight

28

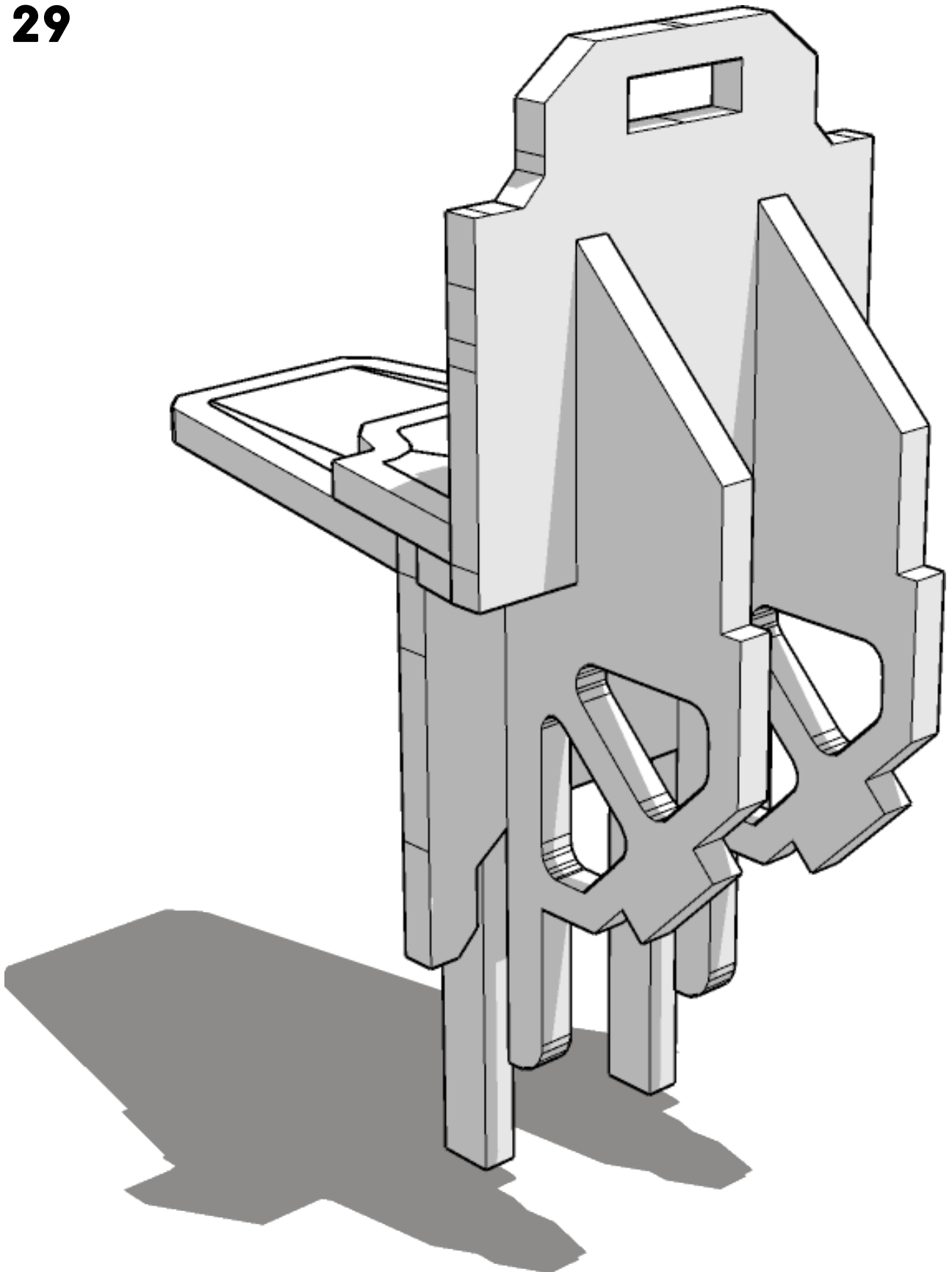




TABLETOP SCENICS

TTSCW-SFG-179
Battlesnap:
Straight

29

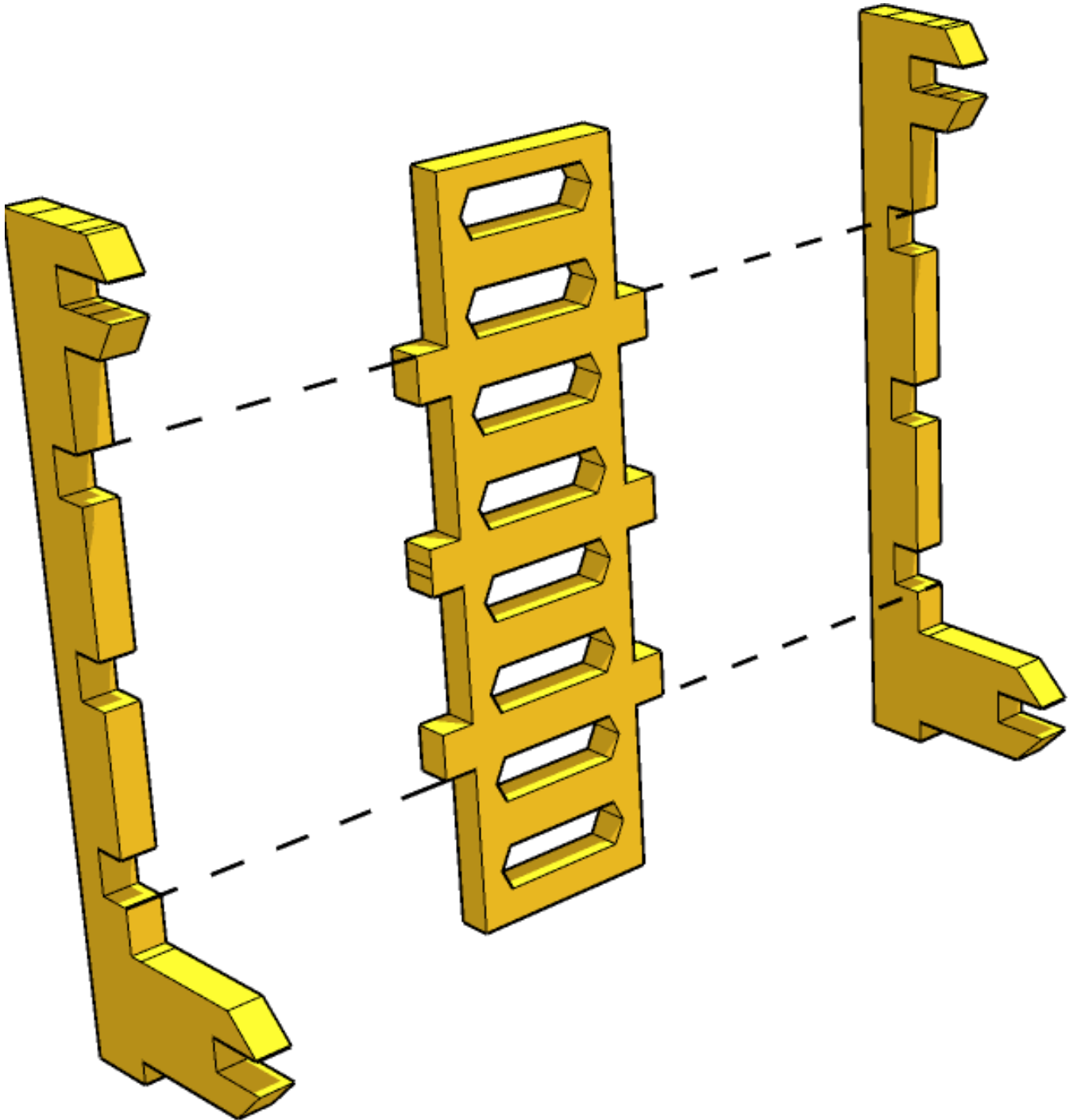




TABLETOP SCENICS

TTSCW-SFG-179
Battlesnap:
Straight

30

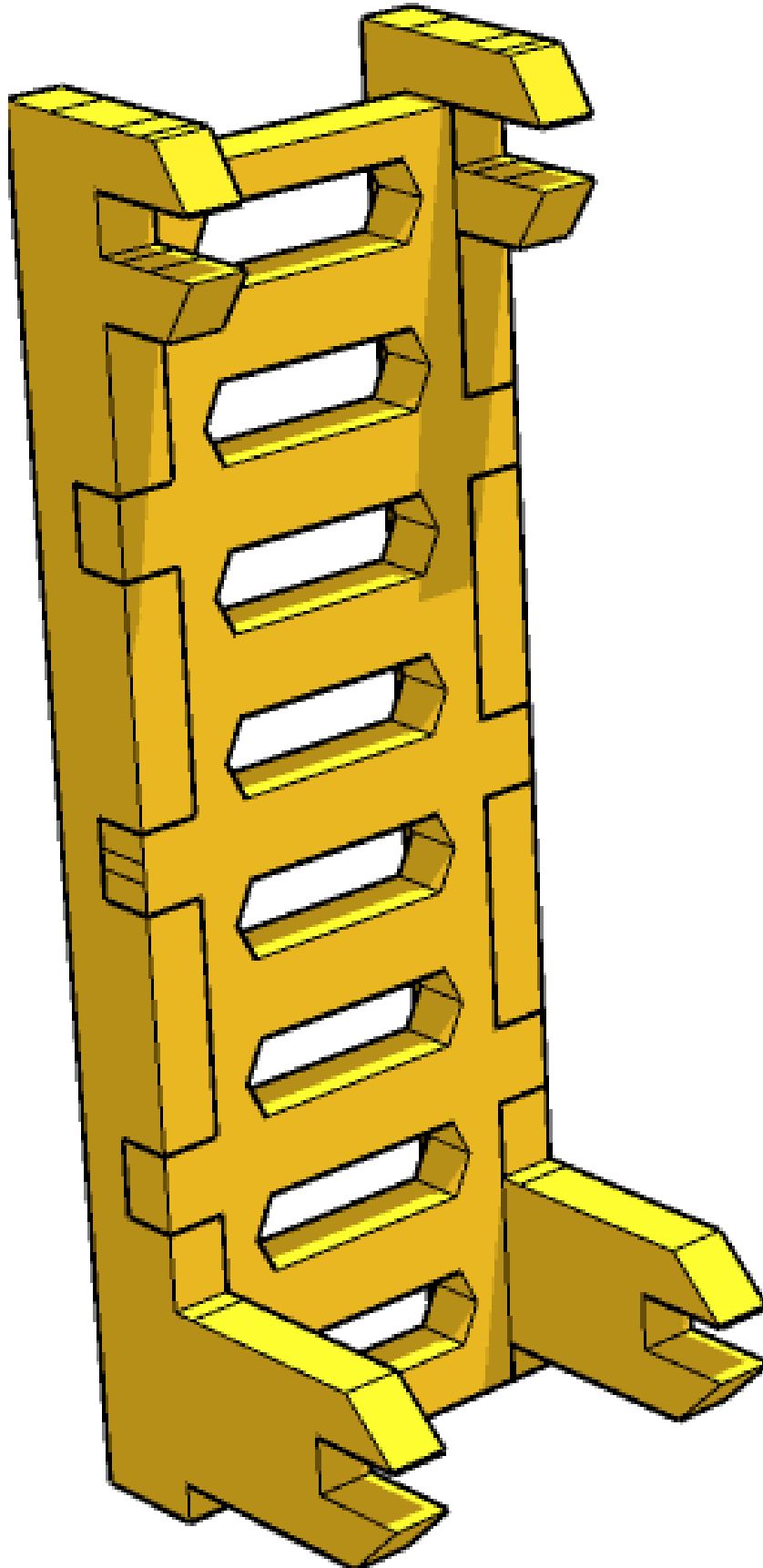




TABLETOP SCENICS

TTSCW-SFG-179
Battlesnap:
Straight

31

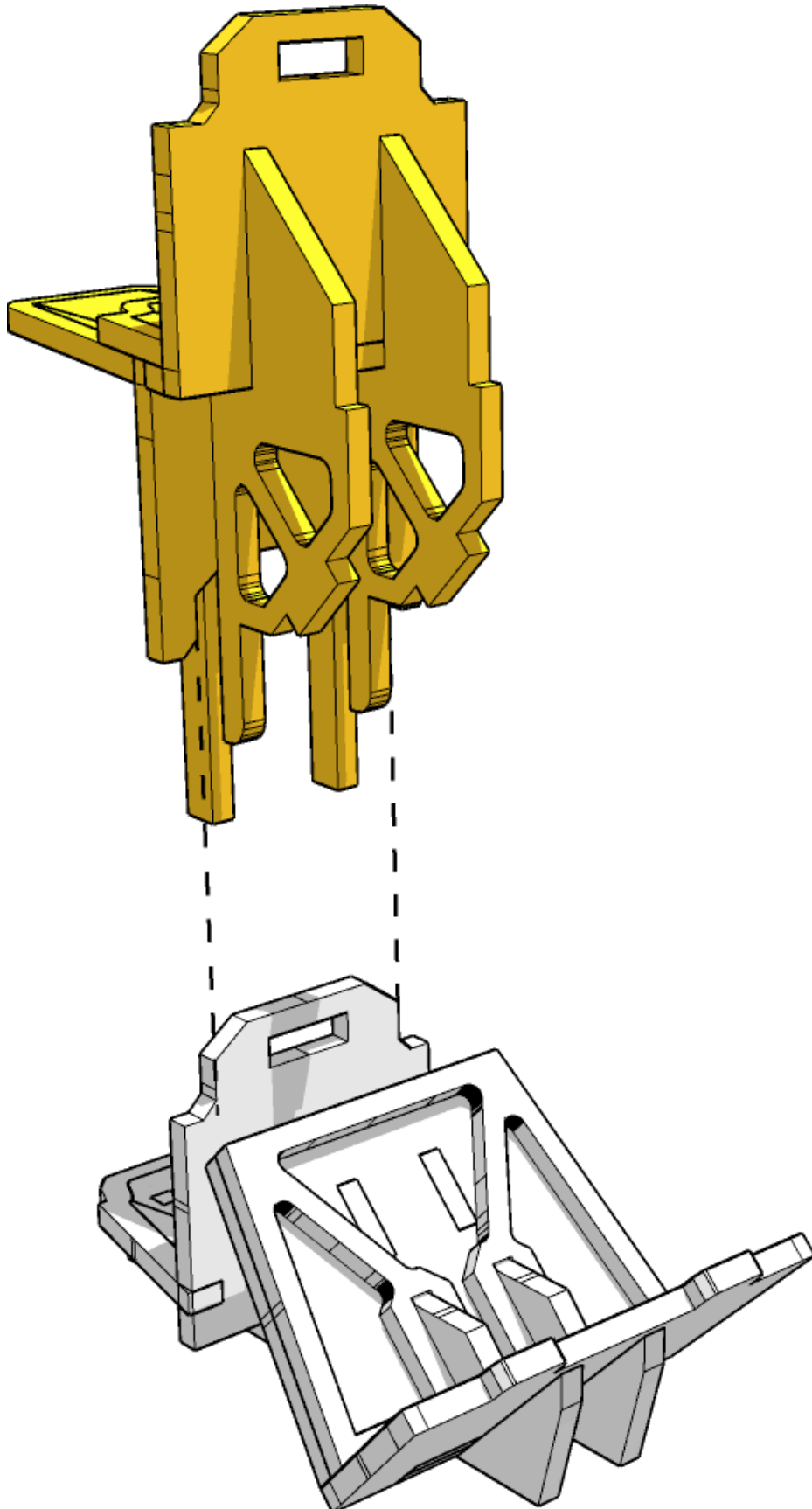




TABLETOP SCENICS

TTSCW-SFG-179
Battlesnap:
Straight

32



Upgrade slots over the outer corner.
Gluing is optional

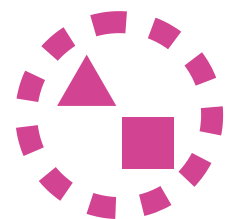
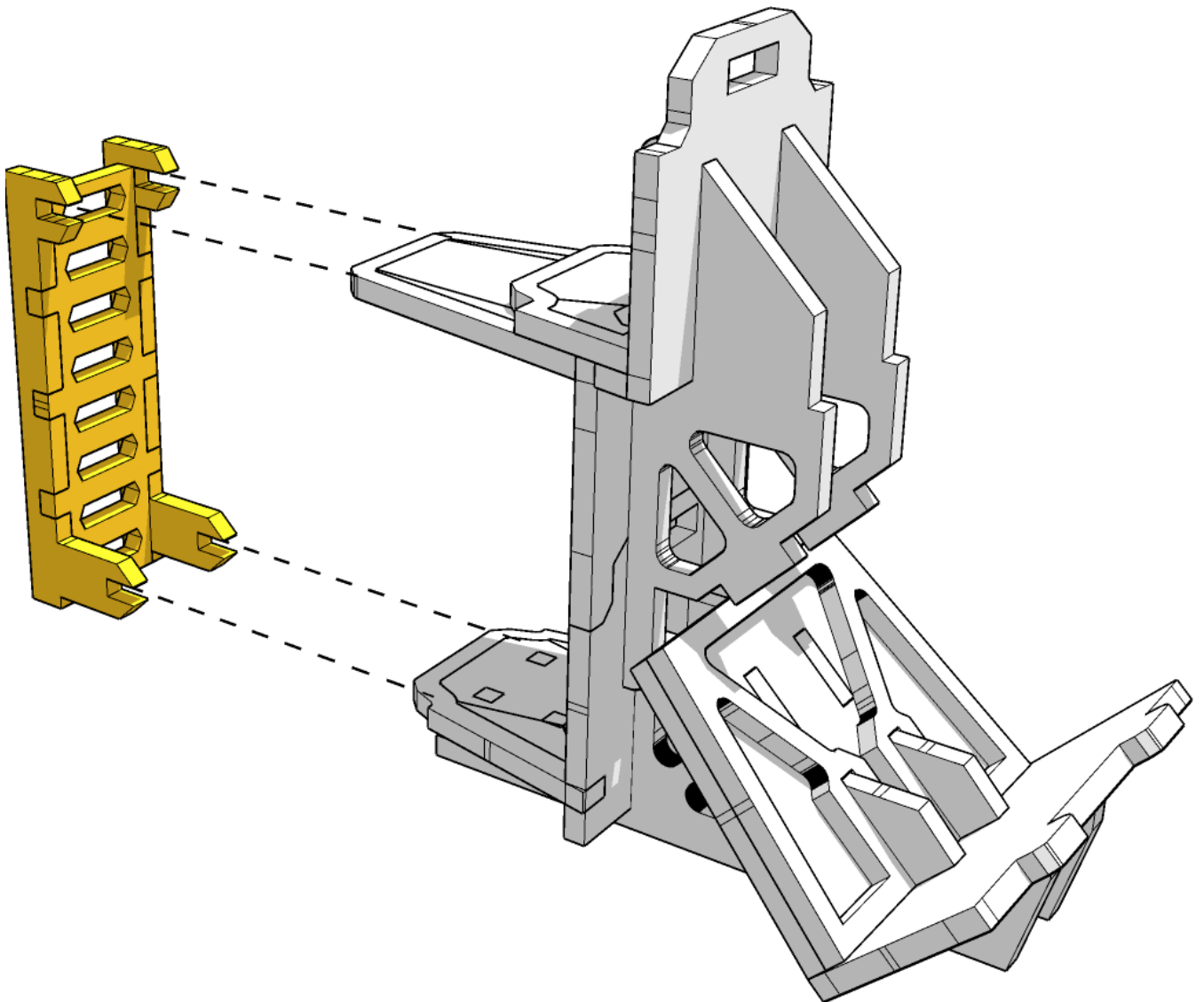




TABLETOP SCENICS

TTSCW-SFG-179
Battlesnap:
Straight

33



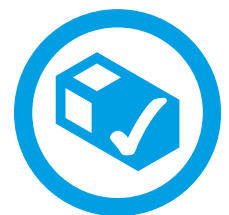
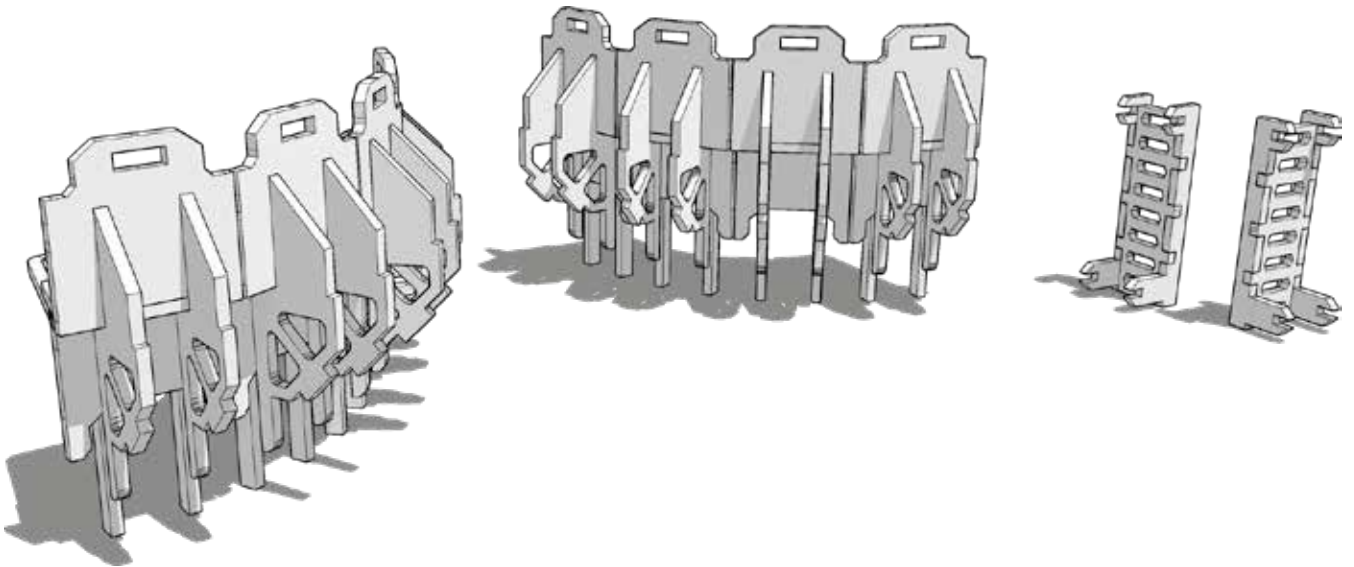
 **TTCOMBAT**



TABLETOP SCENICS

TTSCW-SFG-179
Battlesnap:
Straight

34

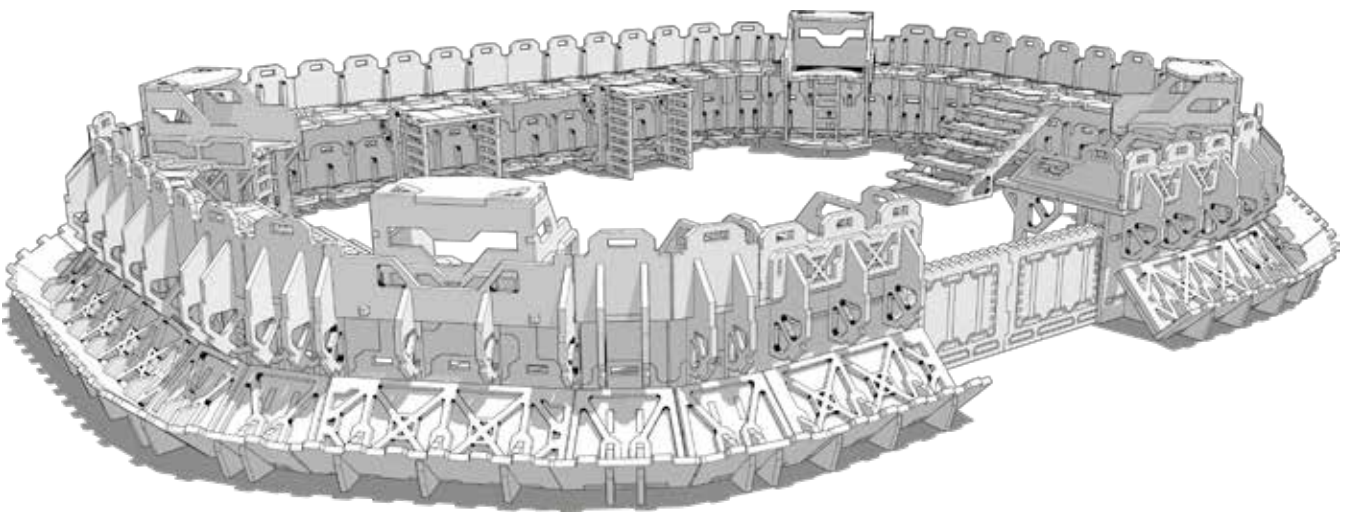




TABLETOP SCENICS

TTSCW-SFG-179
Battlesnap:
Straight

35



Completed Fortress Upgrade

