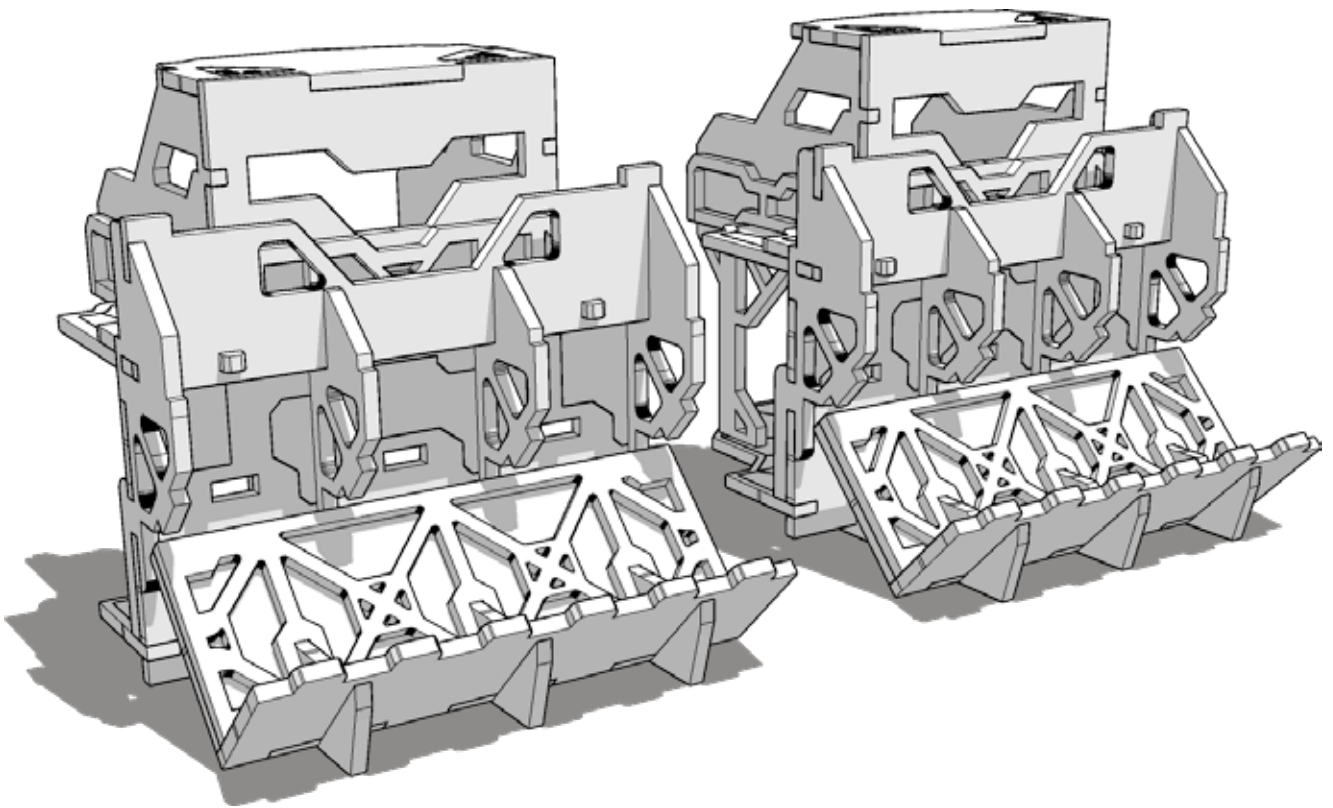




**TABLETOP
SCENICS**

**TTSCW-SFG-181
Battlesnap:
Tower**



 **TTCOMBAT**



TABLETOP SCENICS

TTSCW-SFG-181
Battlesnap:
Tower

2

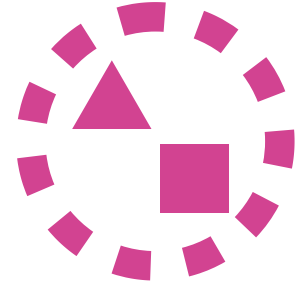
These are a series of icons that may be used throughout the instructions to help your assembly.
If in doubt, scroll ahead to confirm.



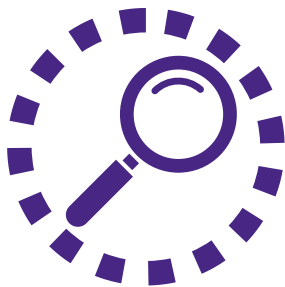
Do not glue this part



Carefully score and
fold this part



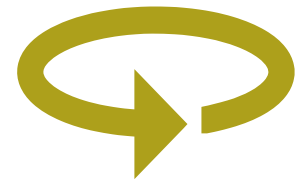
This part - or its placement is
completely optional



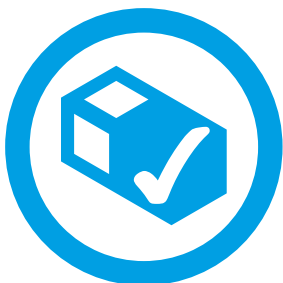
Look closely at this step -
The process order or part
used, may be specific



Repeat making this part
the specified number
of times



The next instruction step
will be the same assembly
so far, but from a different
angle



Sub-assembly complete.
This smaller construction
is ready to add to the
main kit



Assembly Complete! There
could be more optional
parts - check to the very end
of instructions



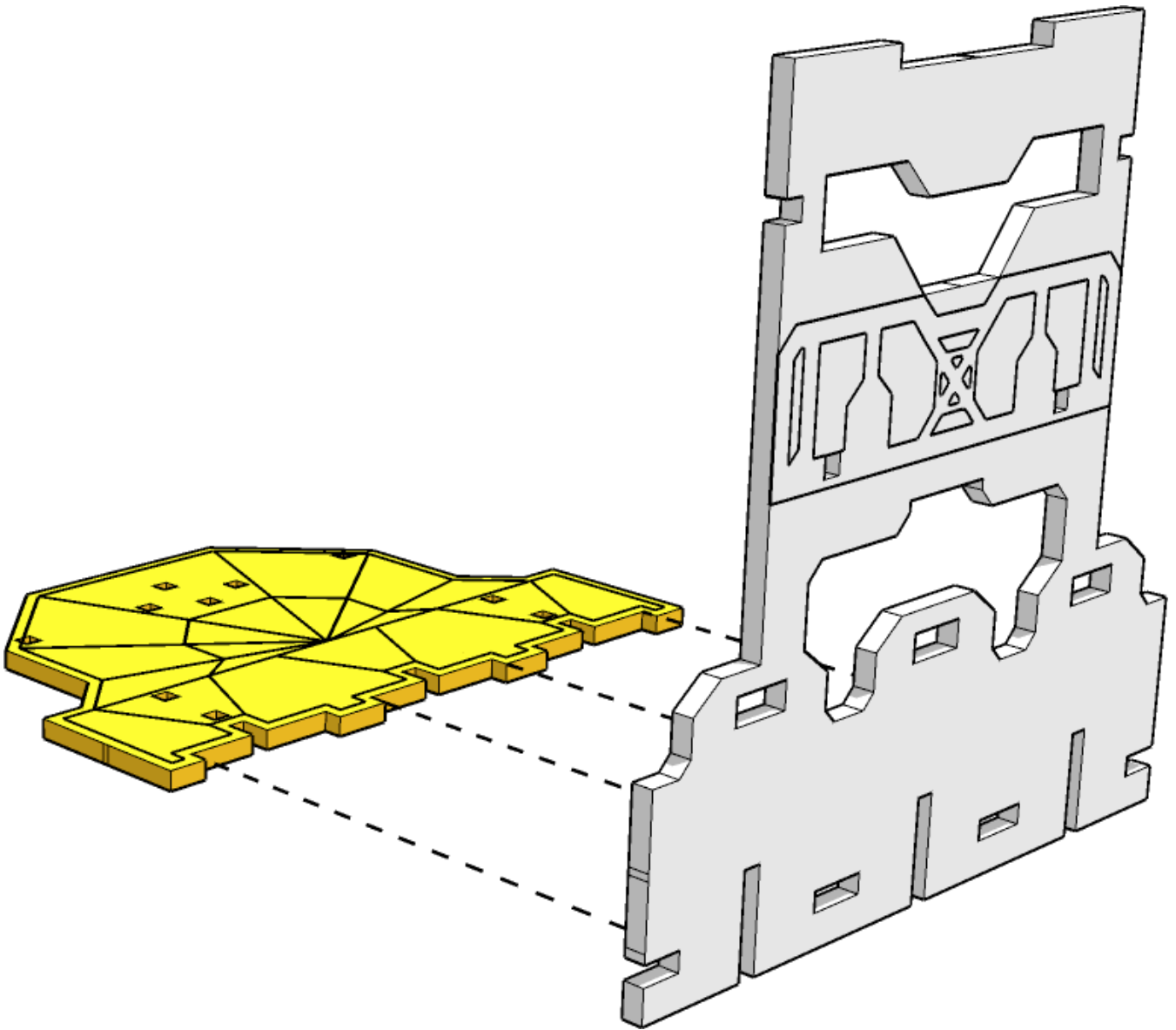
FRAGILE: DO NOT BEND.
“Bendy wood” is designed to
curve around a designed
frame only.



TABLETOP SCENICS

TTSCW-SFG-181
Battlesnap:
Tower

3

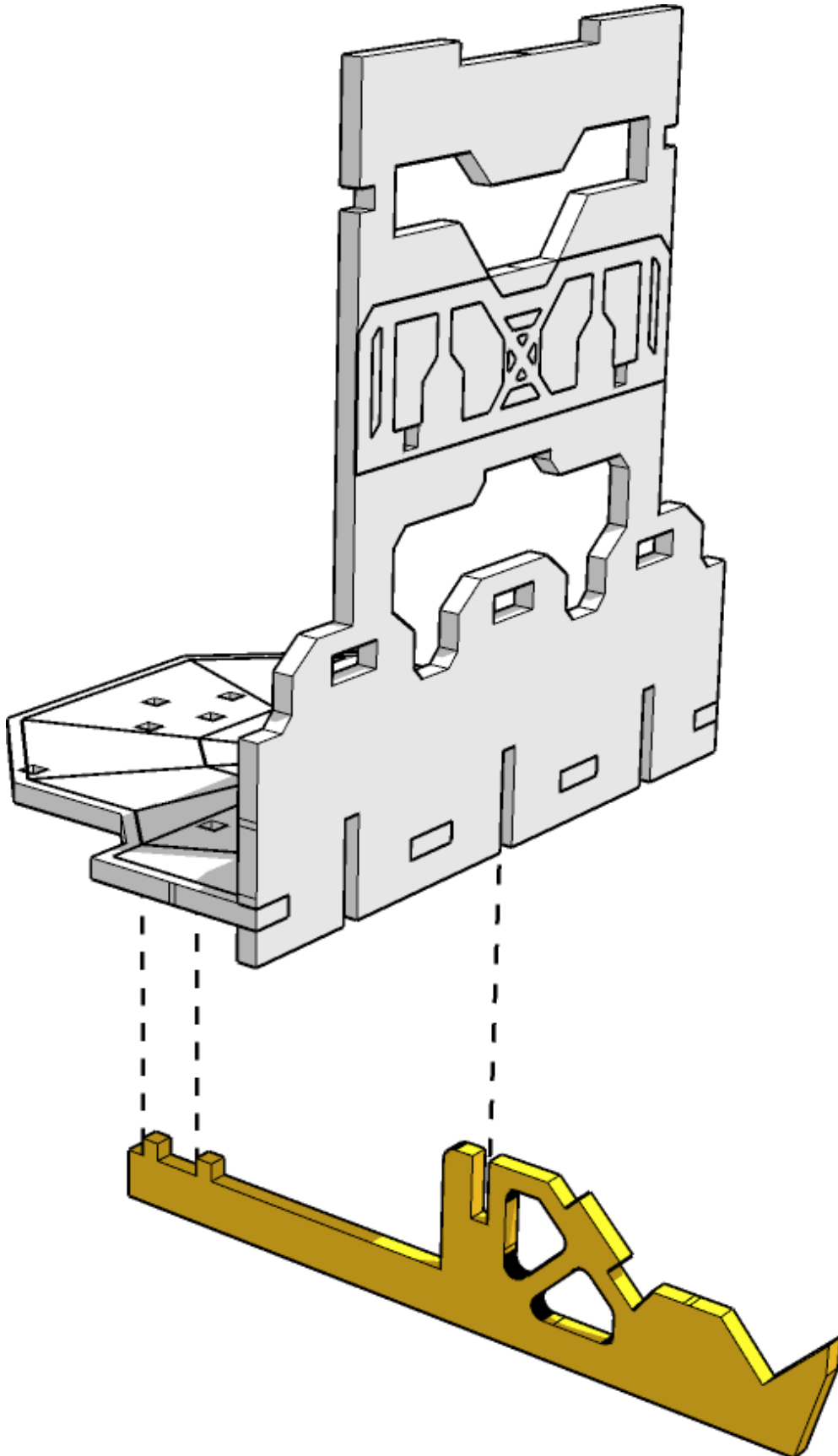




TABLETOP SCENICS

TTSCW-SFG-181
Battlesnap:
Tower

4

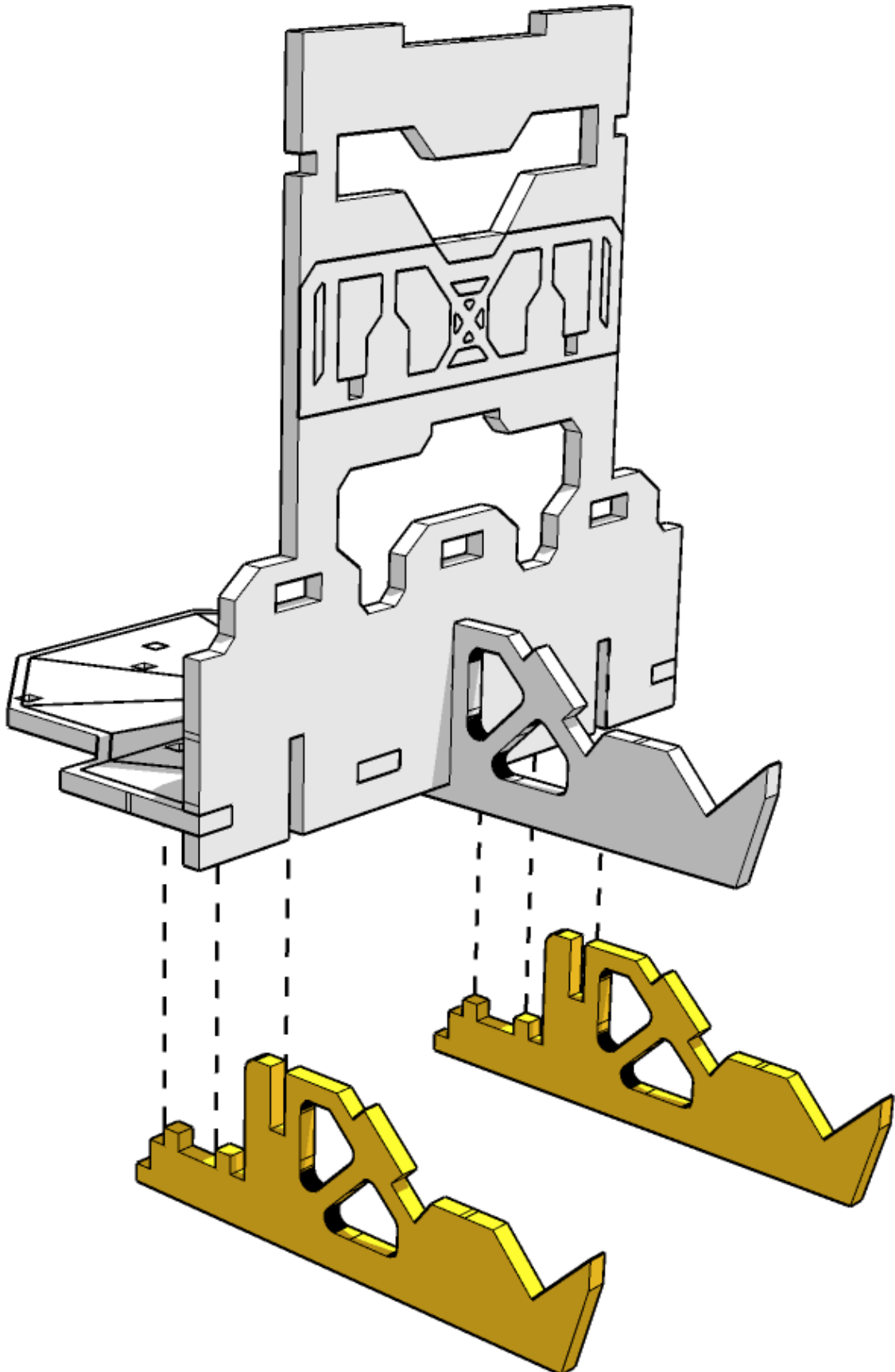




TABLETOP SCENICS

TTSCW-SFG-181
Battlesnap:
Tower

5

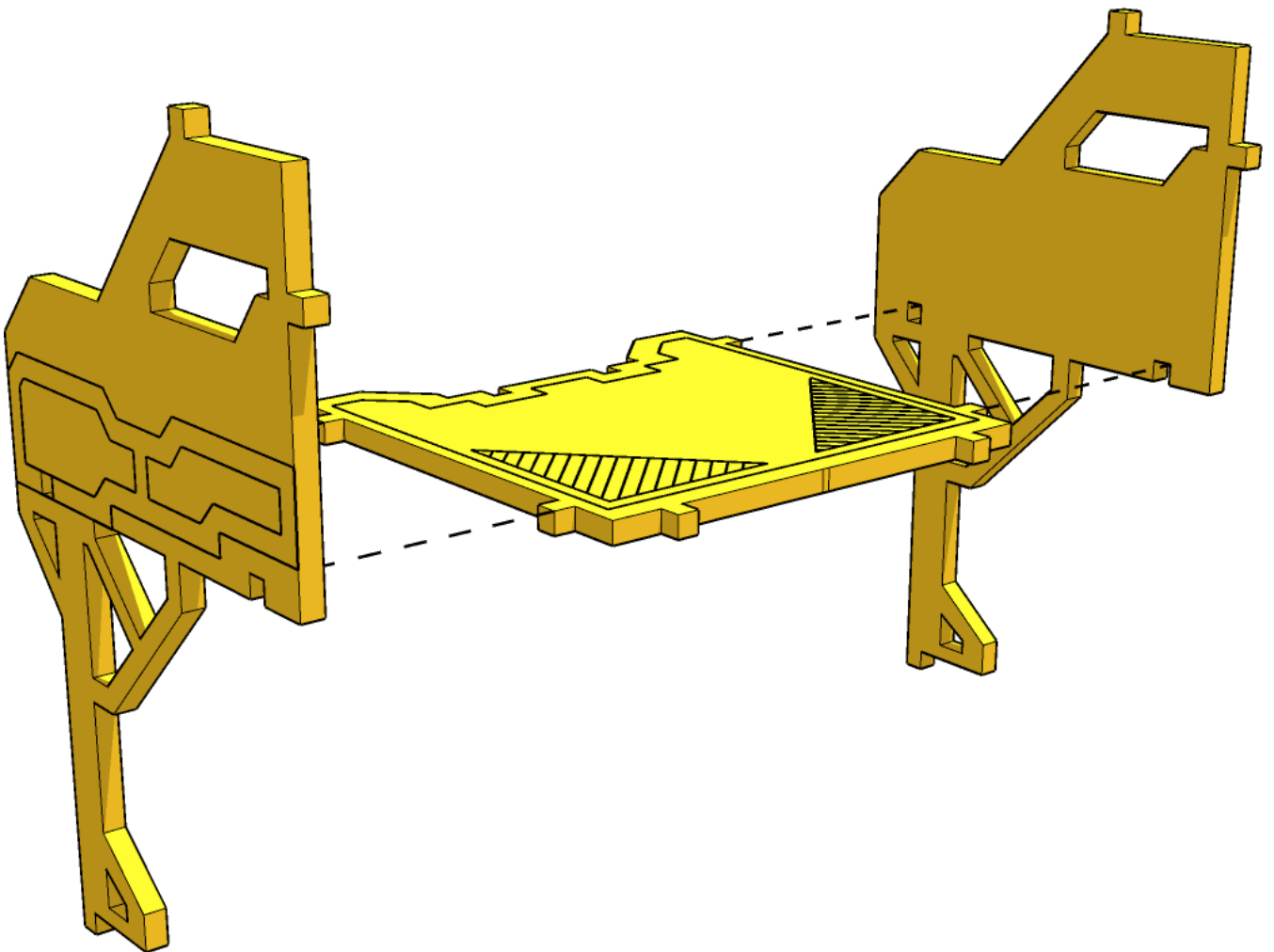




TABLETOP SCENICS

TTSCW-SFG-181
Battlesnap:
Tower

6

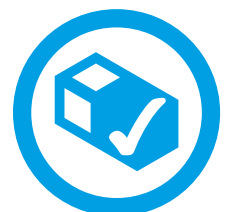
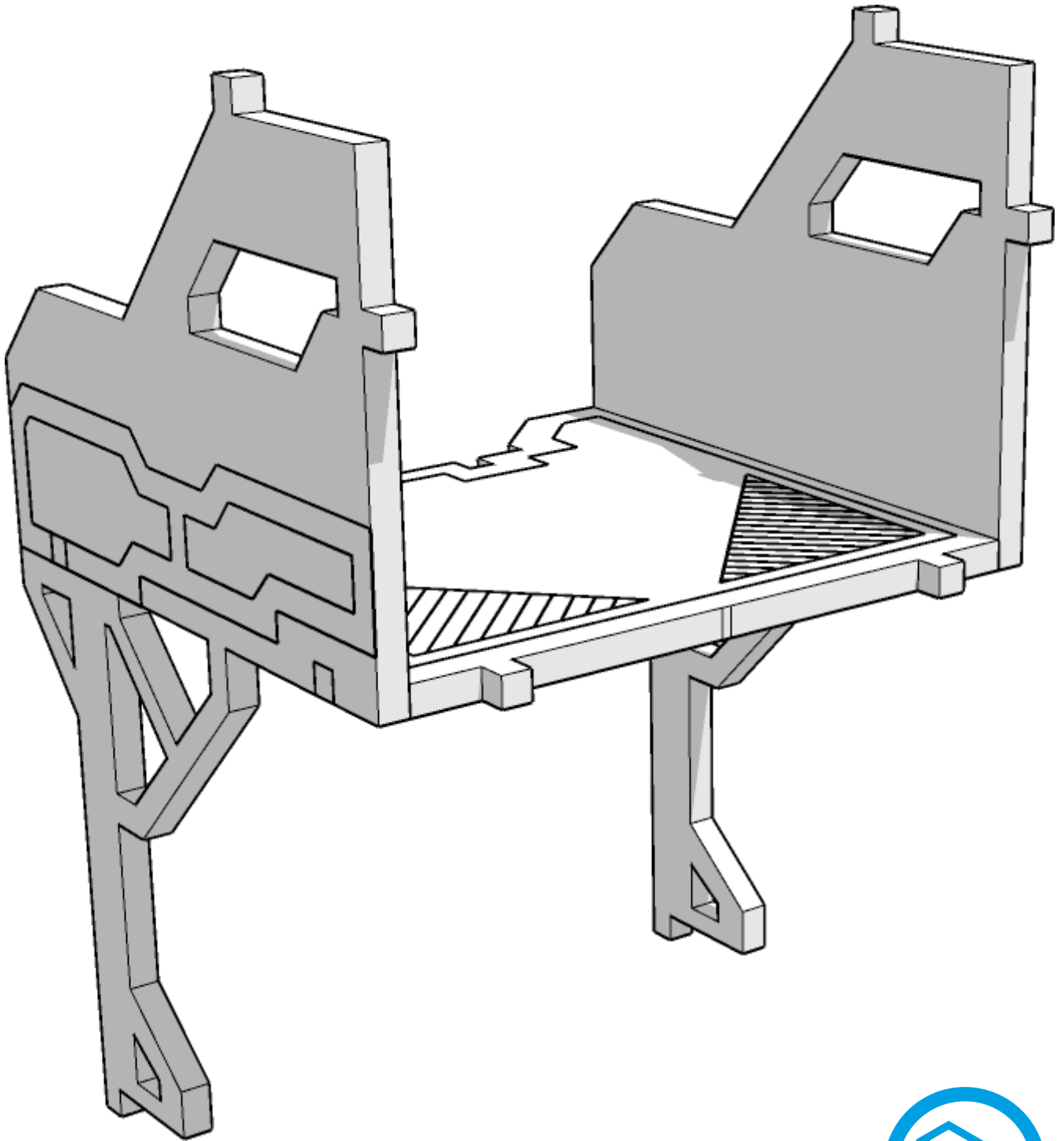




TABLETOP SCENICS

TTSCW-SFG-181
Battlesnap:
Tower

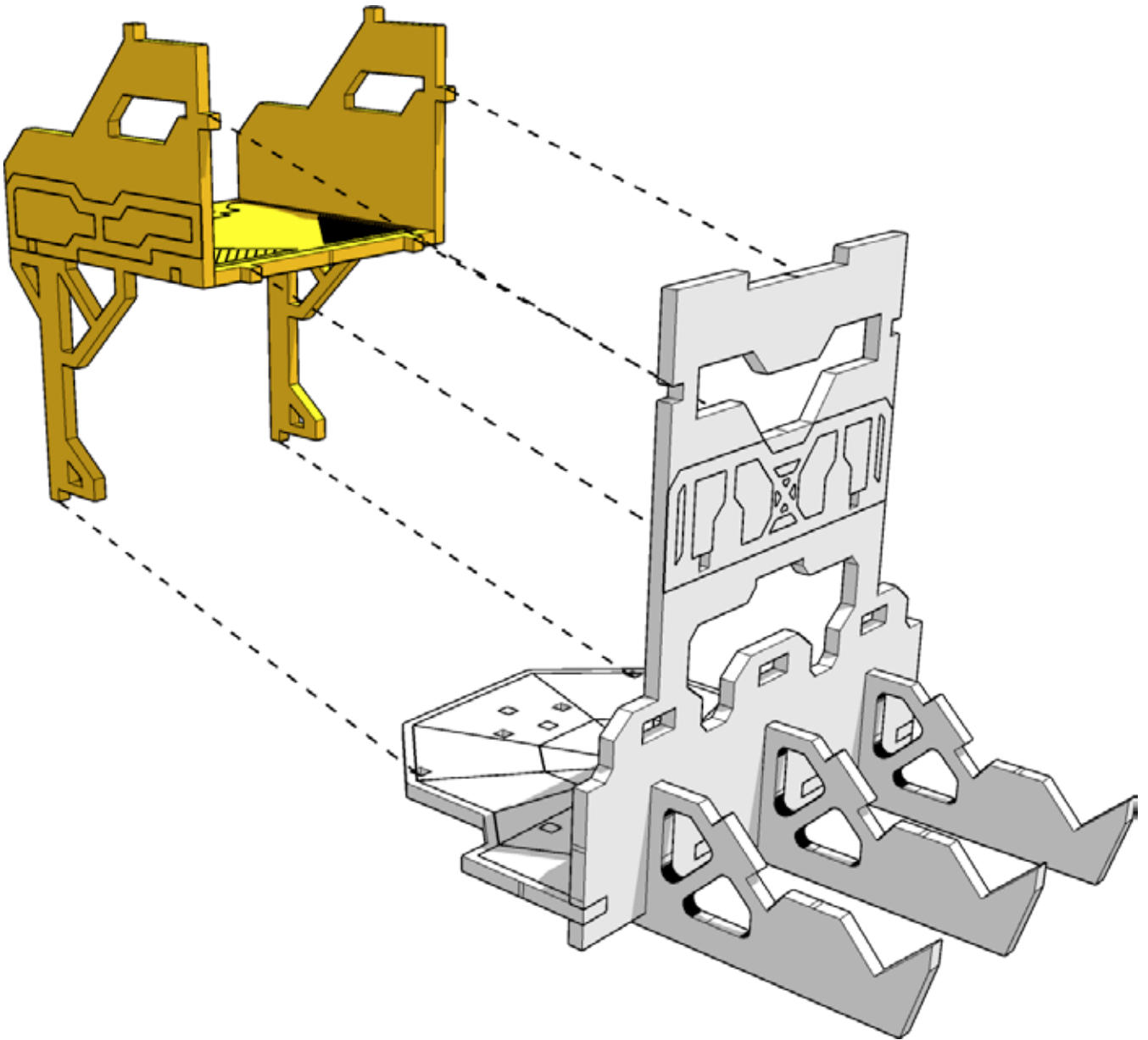
7



 **TTCOMBAT**



8

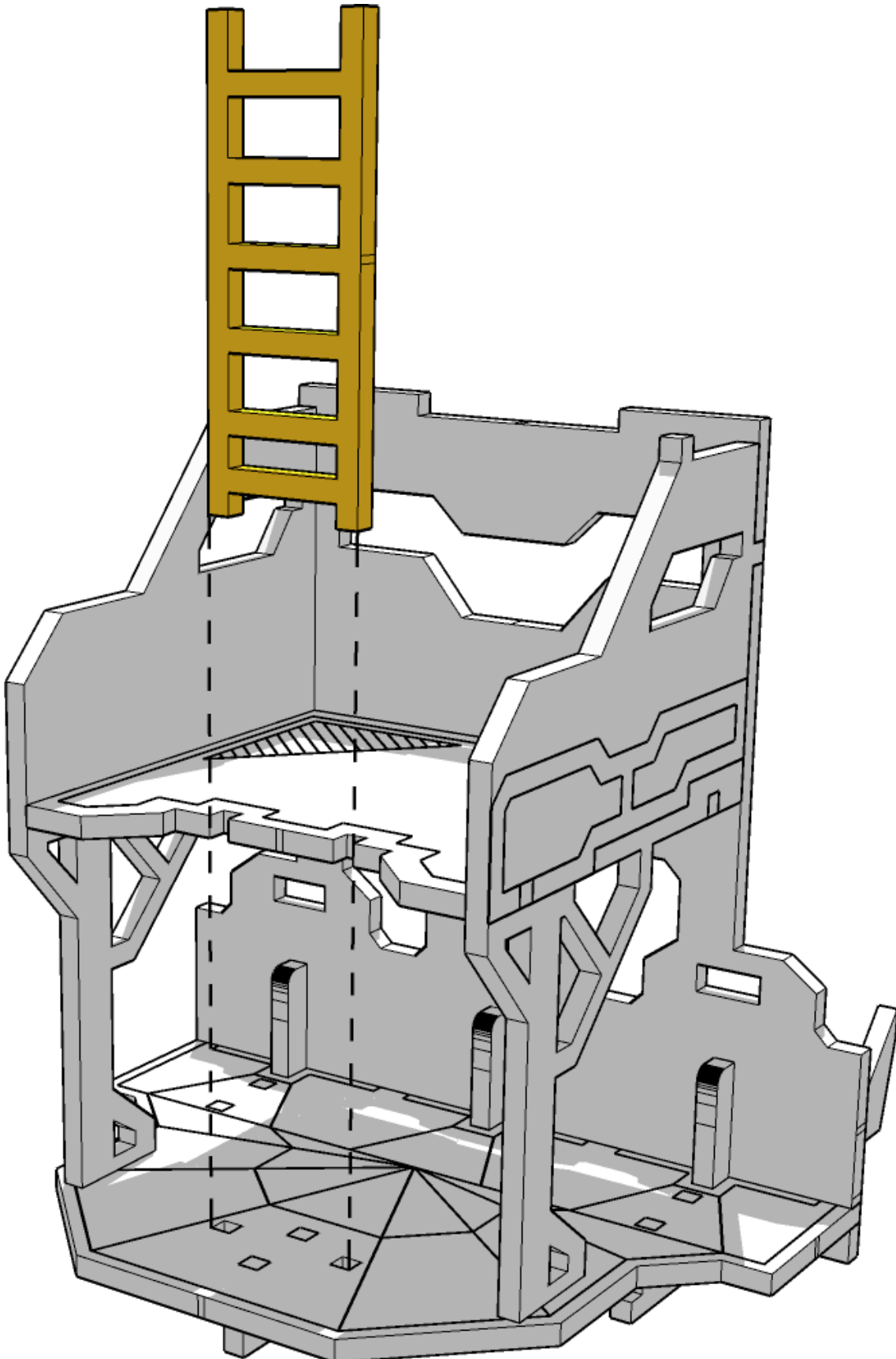




TABLETOP SCENICS

TTSCW-SFG-181
Battlesnap:
Tower

9

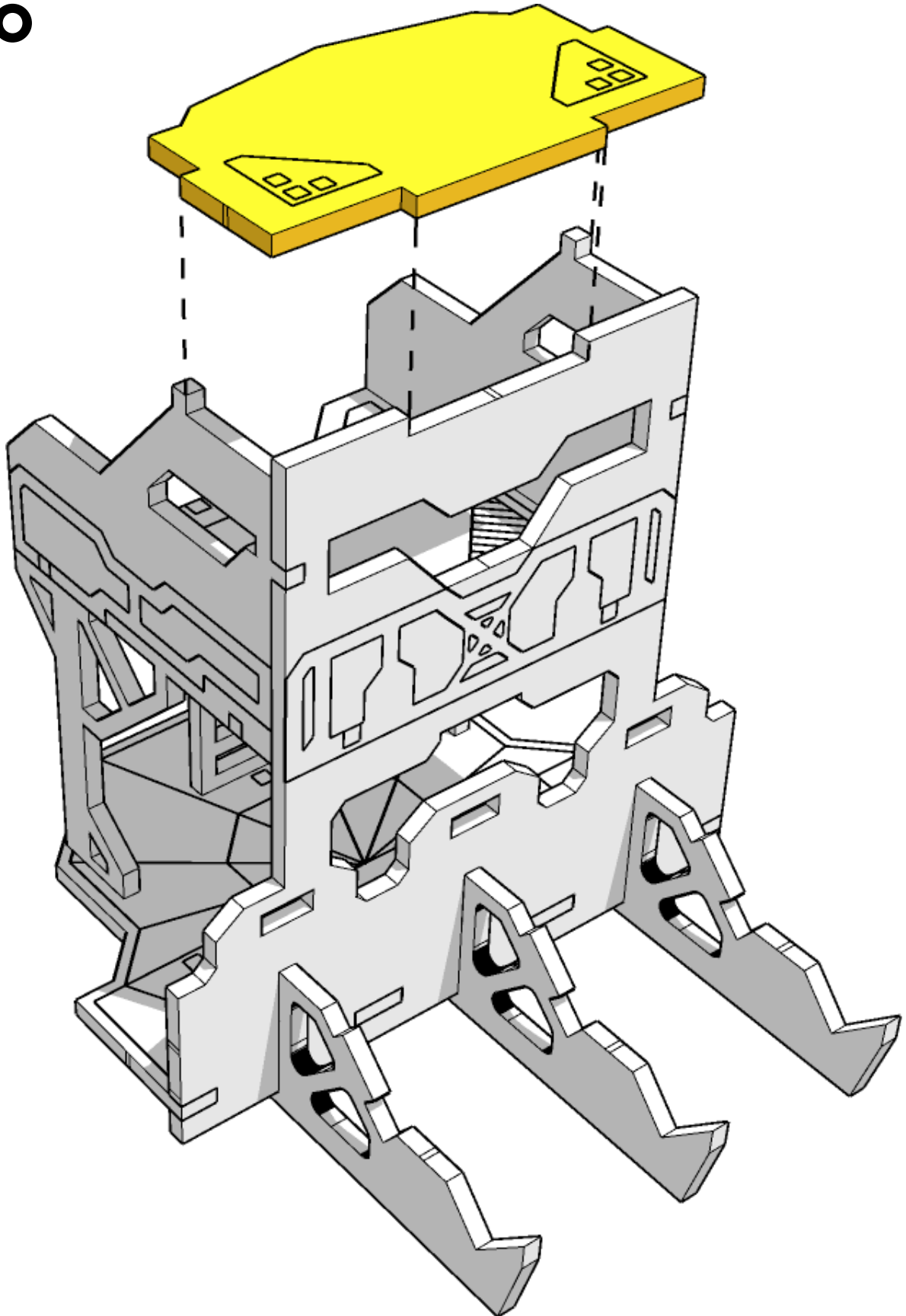




TABLETOP SCENICS

TTSCW-SFG-181
Battlesnap:
Tower

10

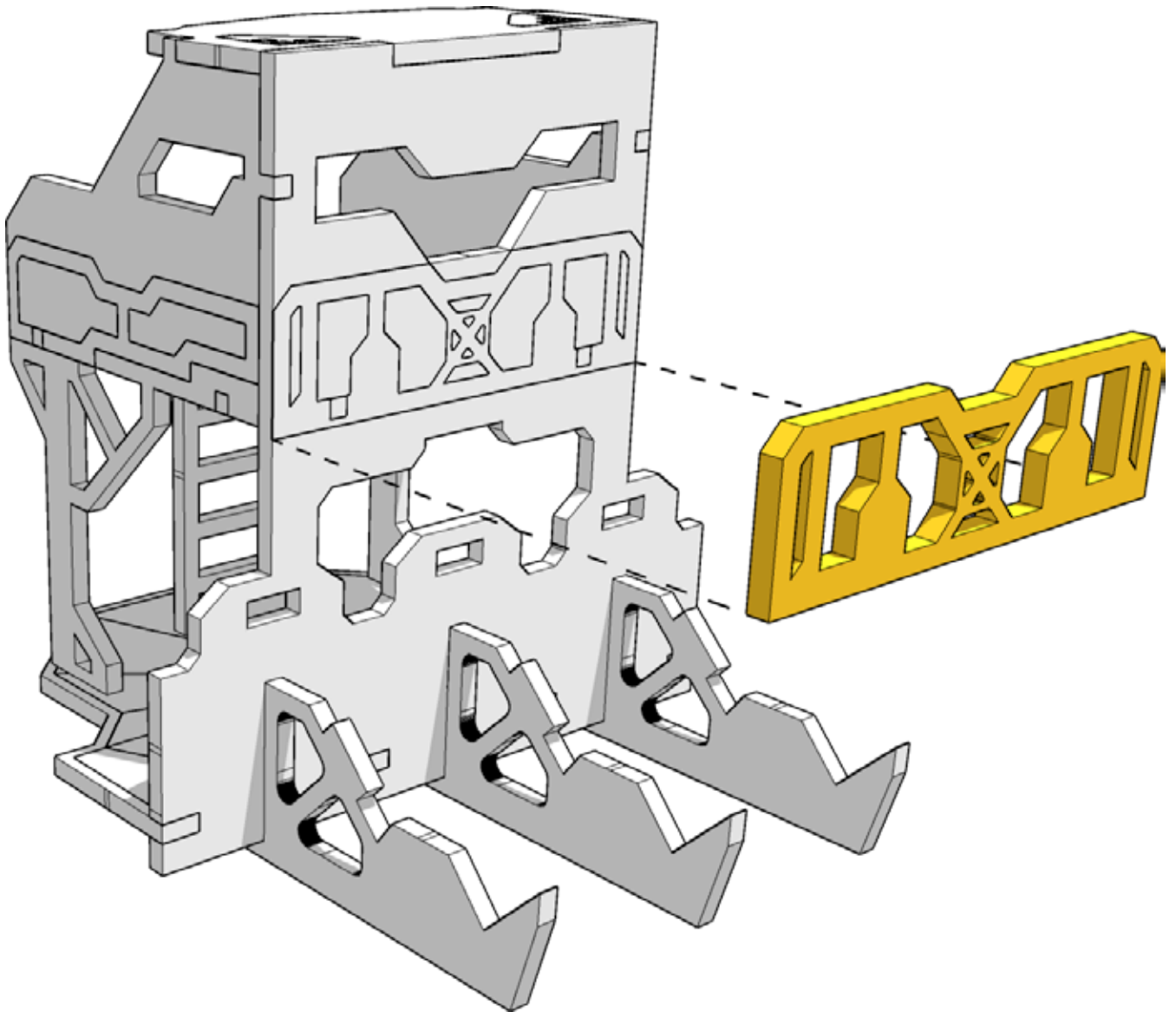




TABLETOP SCENICS

TTSCW-SFG-181
Battlesnap:
Tower

11

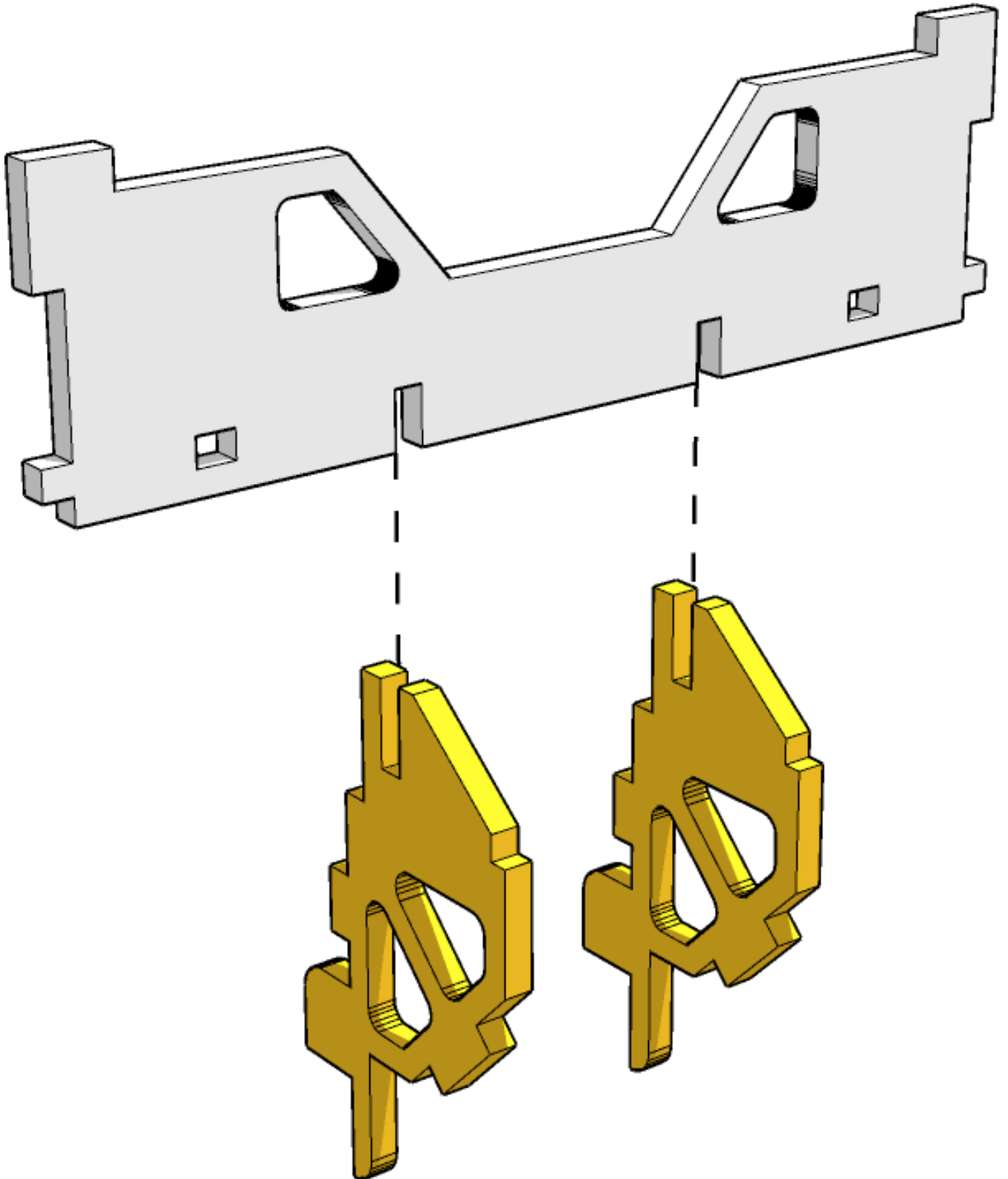


If building the upgrade version continue to next step.
If you do NOT want the upgrade, skip to step 23





12

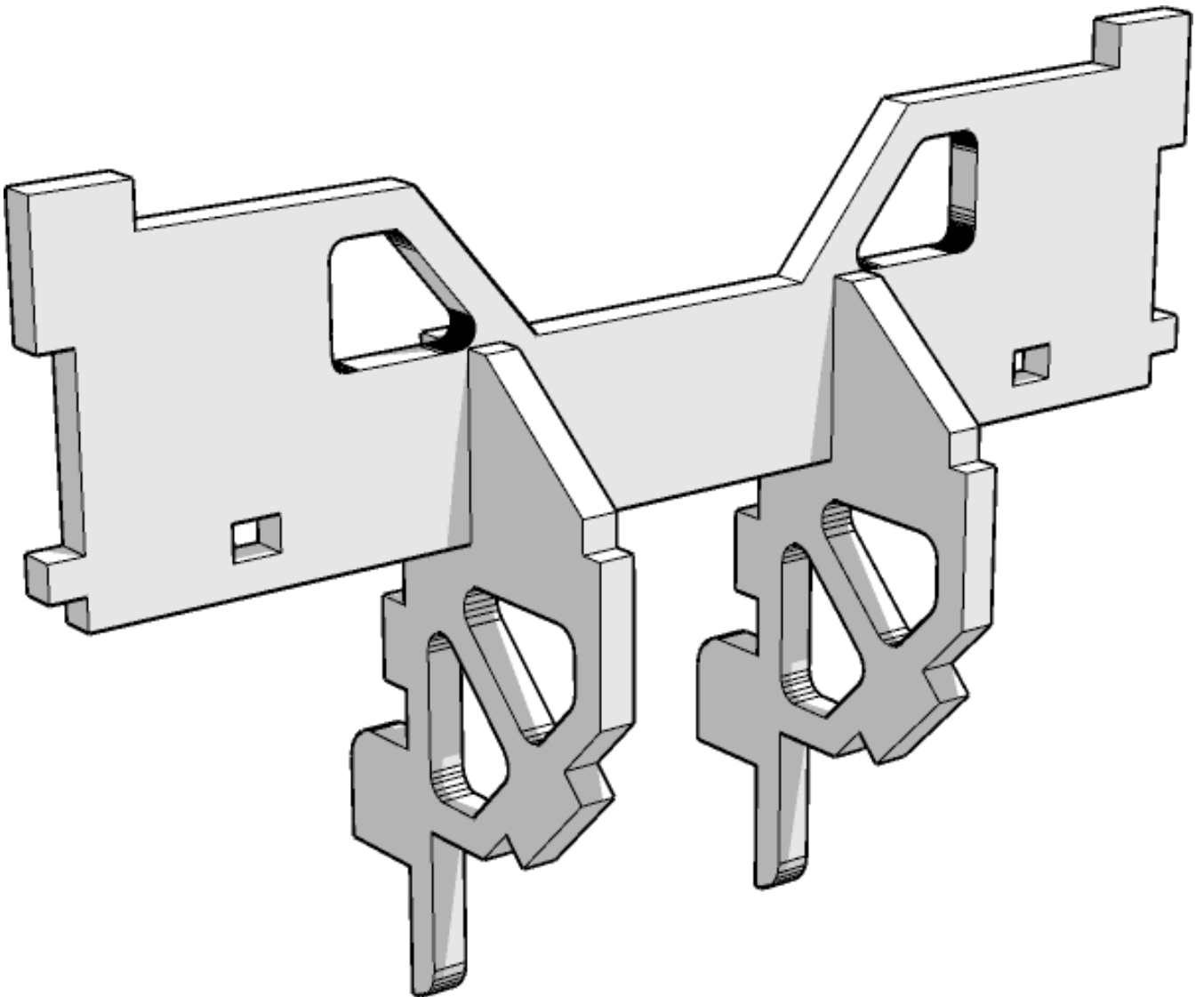




TABLETOP
SCENICS

TTSCW-SFG-181
Battlesnap:
Tower

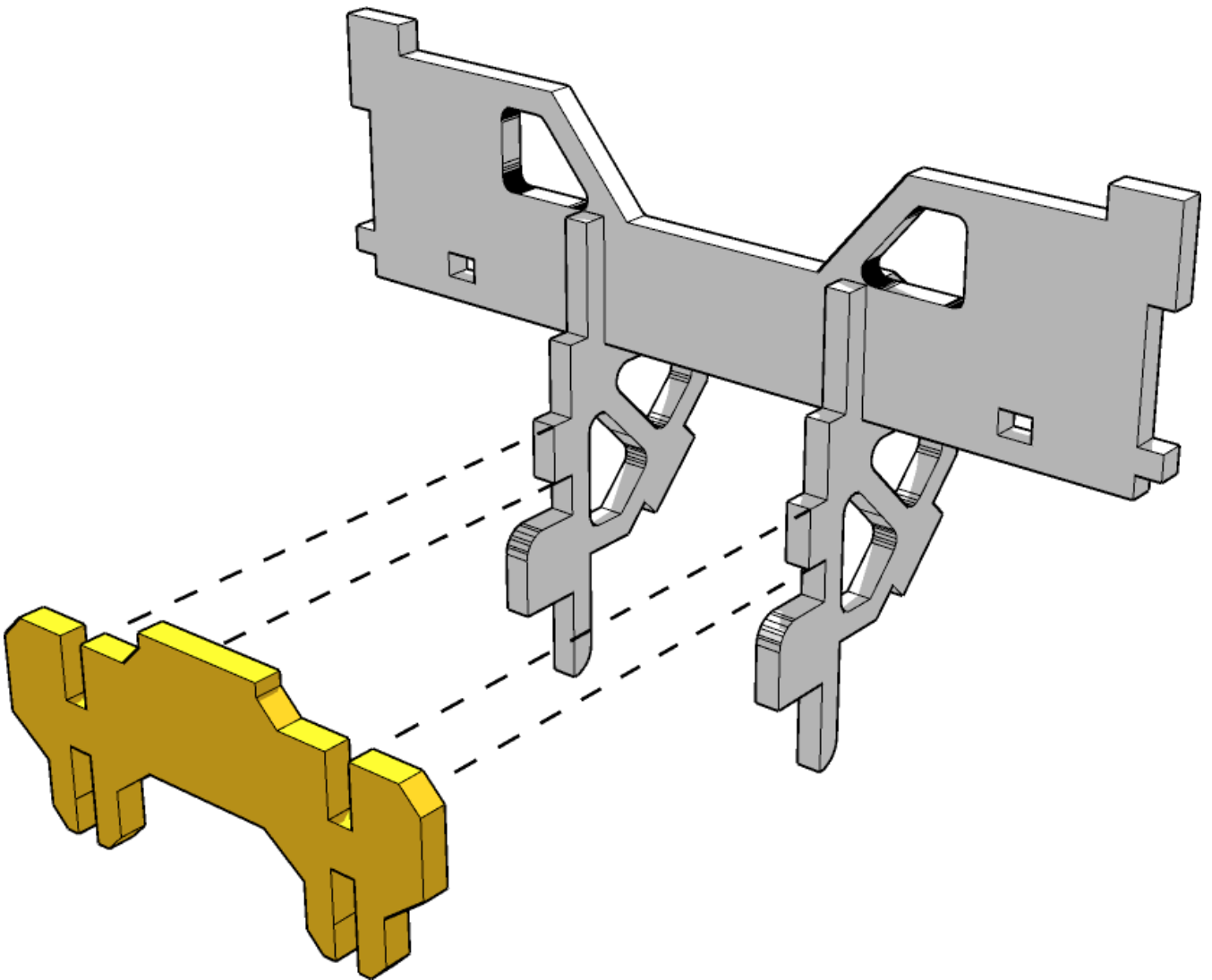
13



 **TTCOMBAT**



14

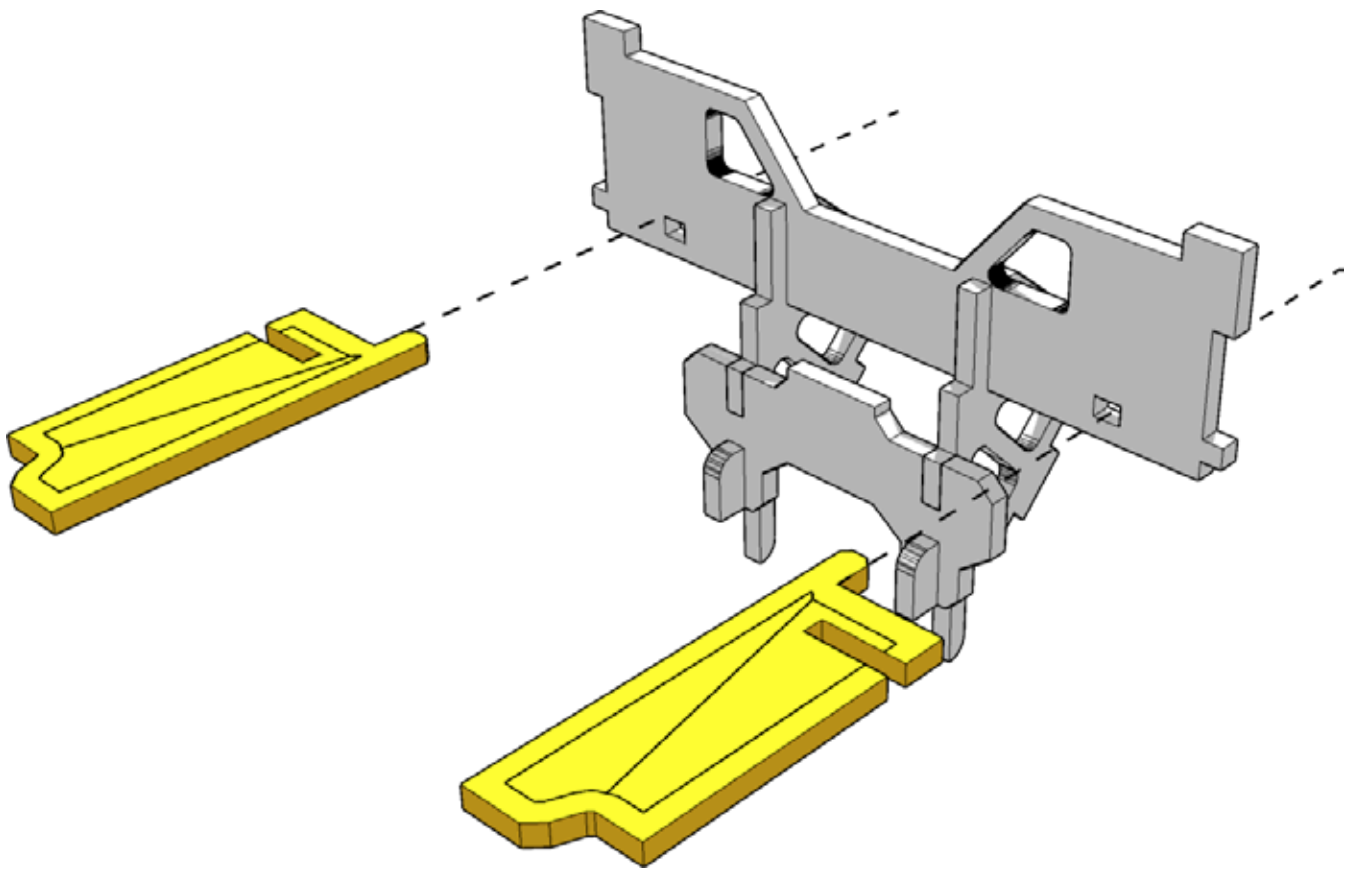




TABLETOP SCENICS

TTSCW-SFG-181
Battlesnap:
Tower

15

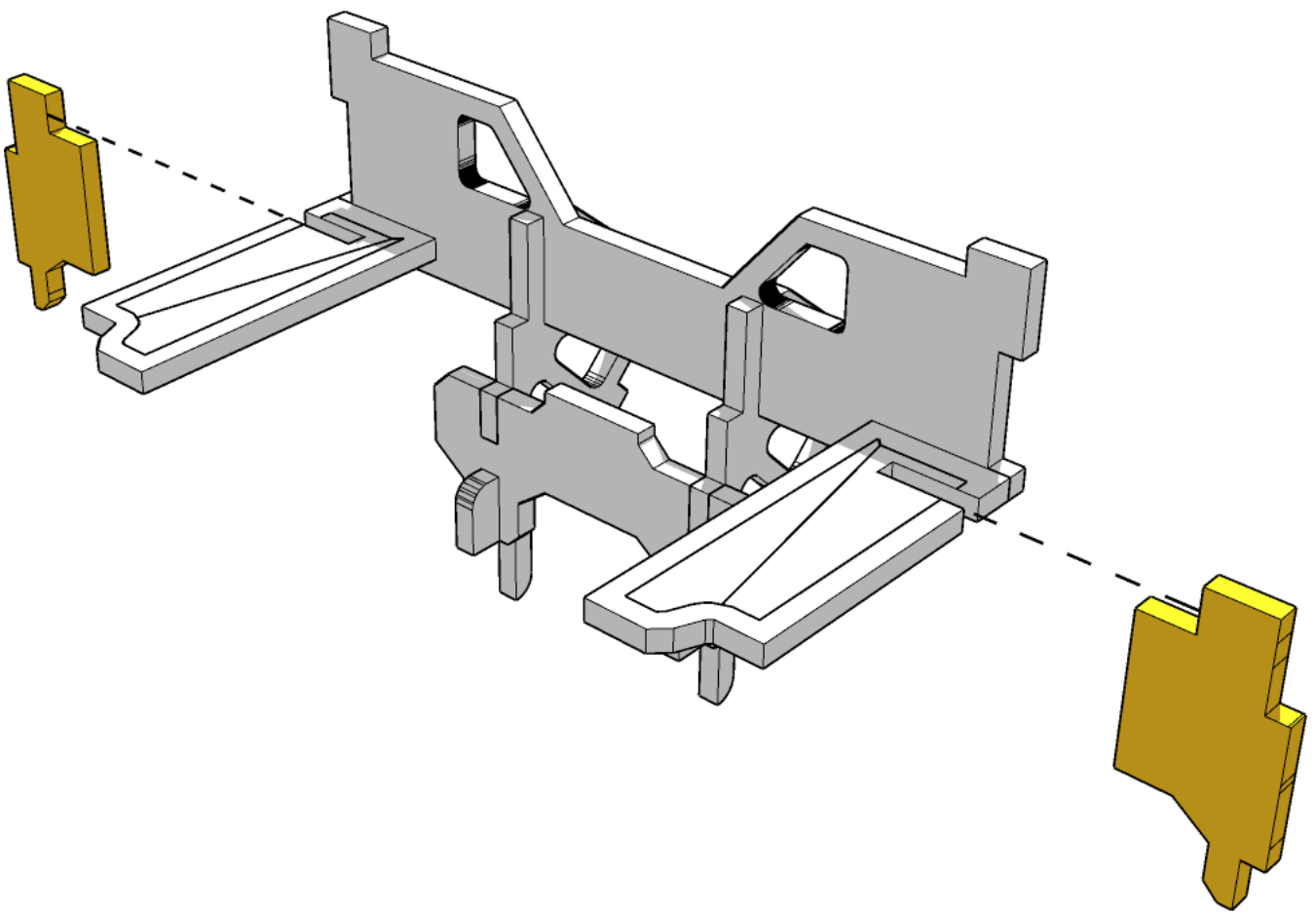




TABLETOP SCENICS

TTSCW-SFG-181
Battlesnap:
Tower

16

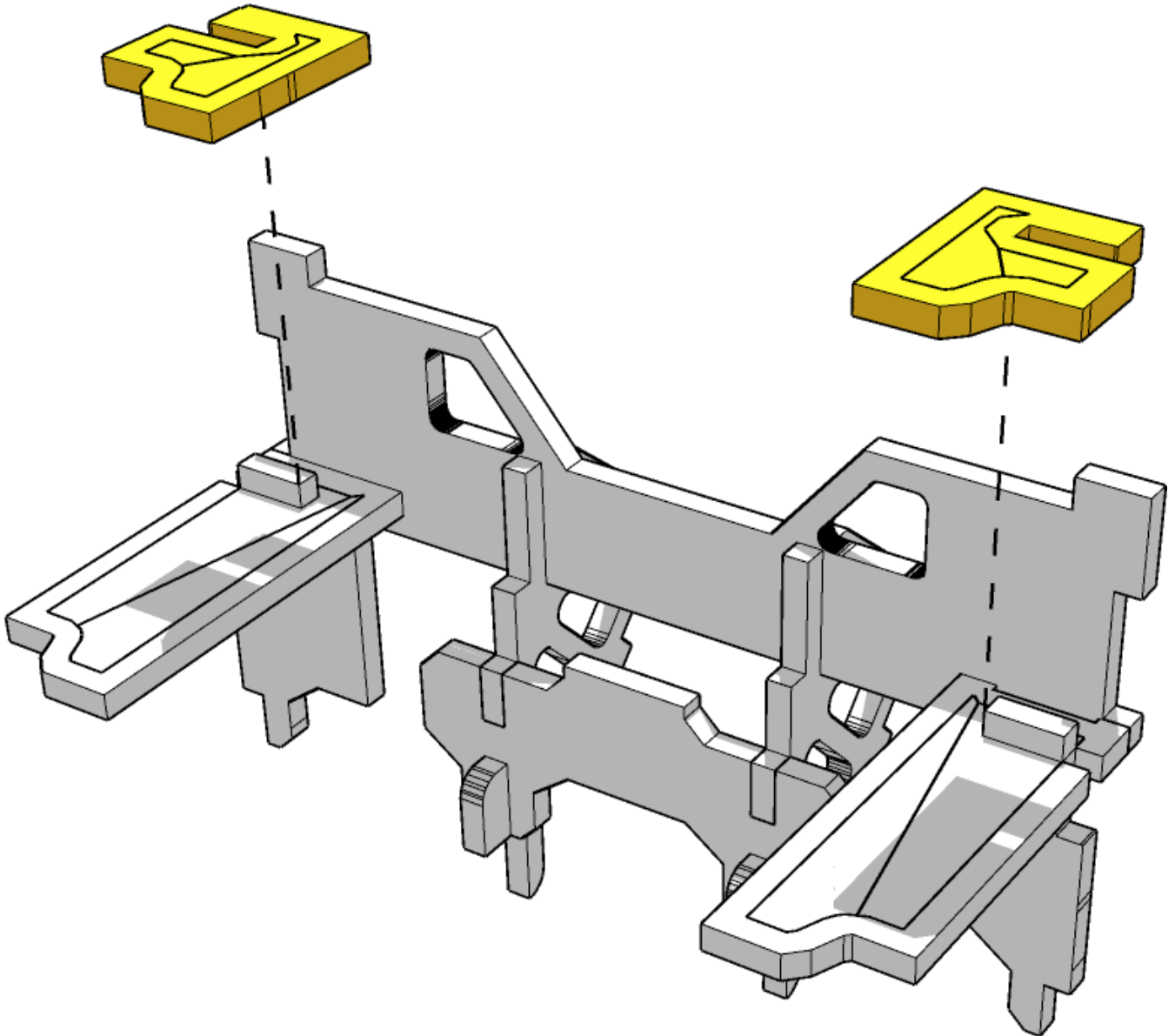




TABLETOP SCENICS

TTSCW-SFG-181
Battlesnap:
Tower

17

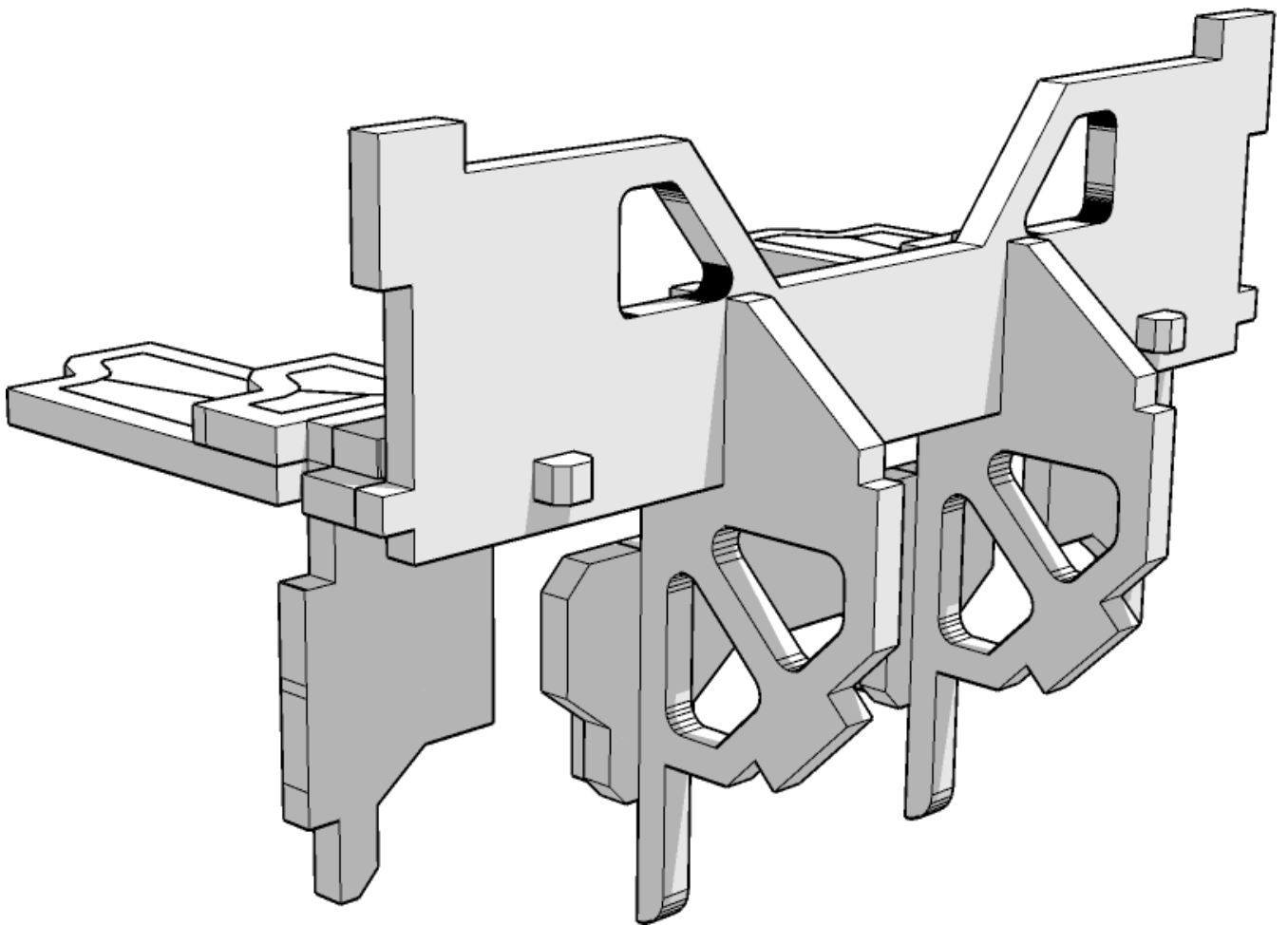




TABLETOP SCENICS

TTSCW-SFG-181
Battlesnap:
Tower

18

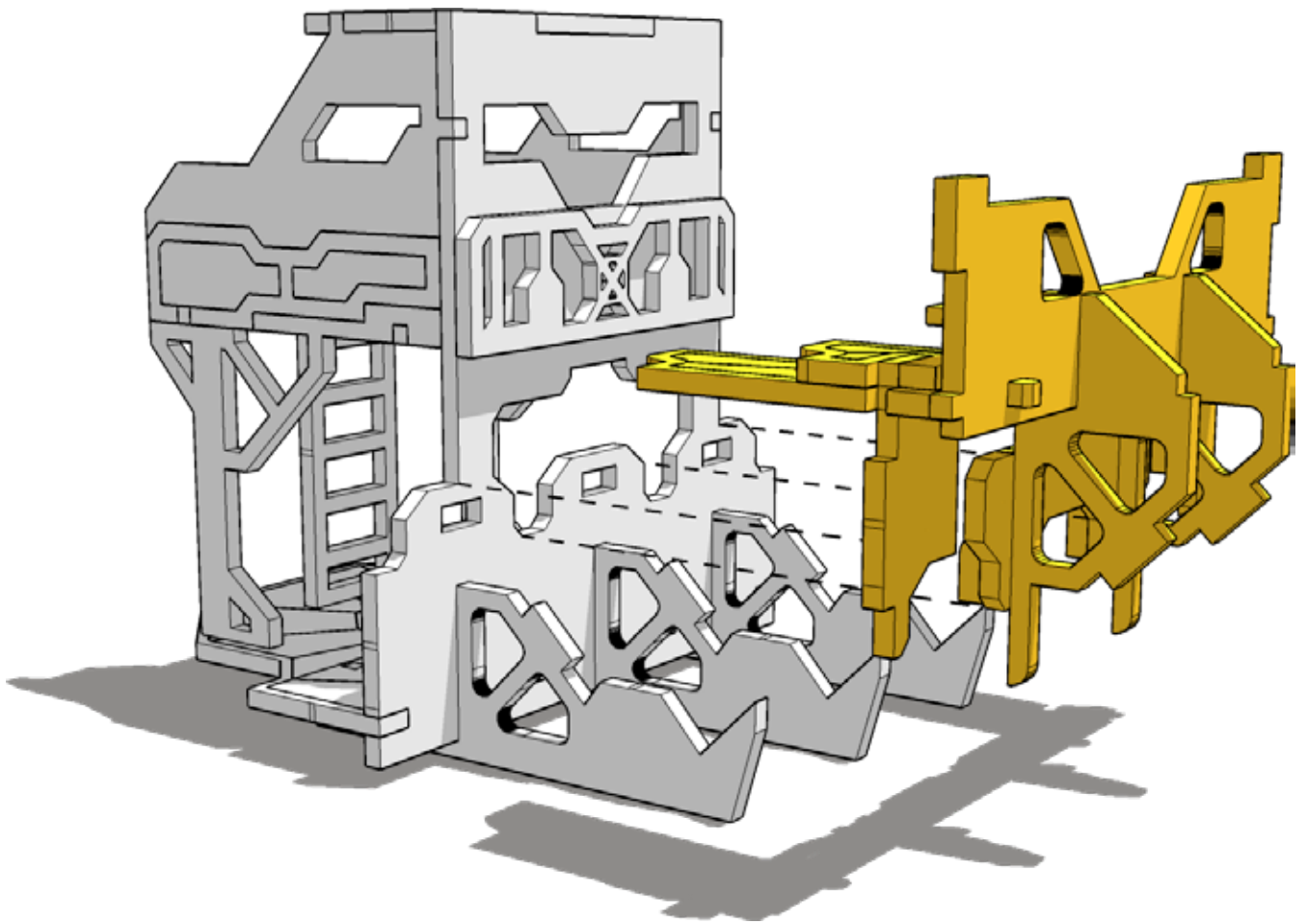




TABLETOP SCENICS

TTSCW-SFG-181
Battlesnap:
Tower

19

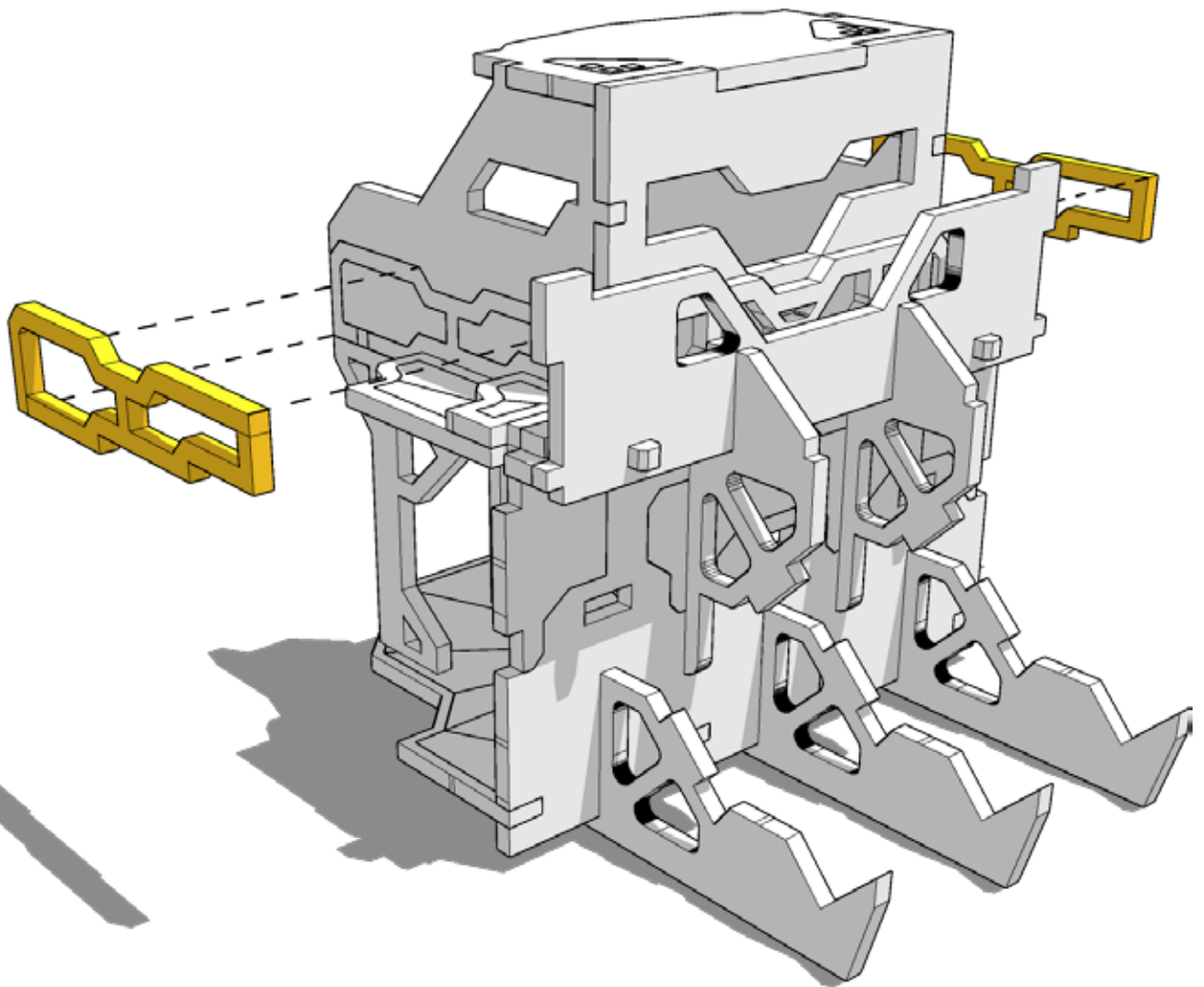




TABLETOP SCENICS

TTSCW-SFG-181
Battlesnap:
Tower

20

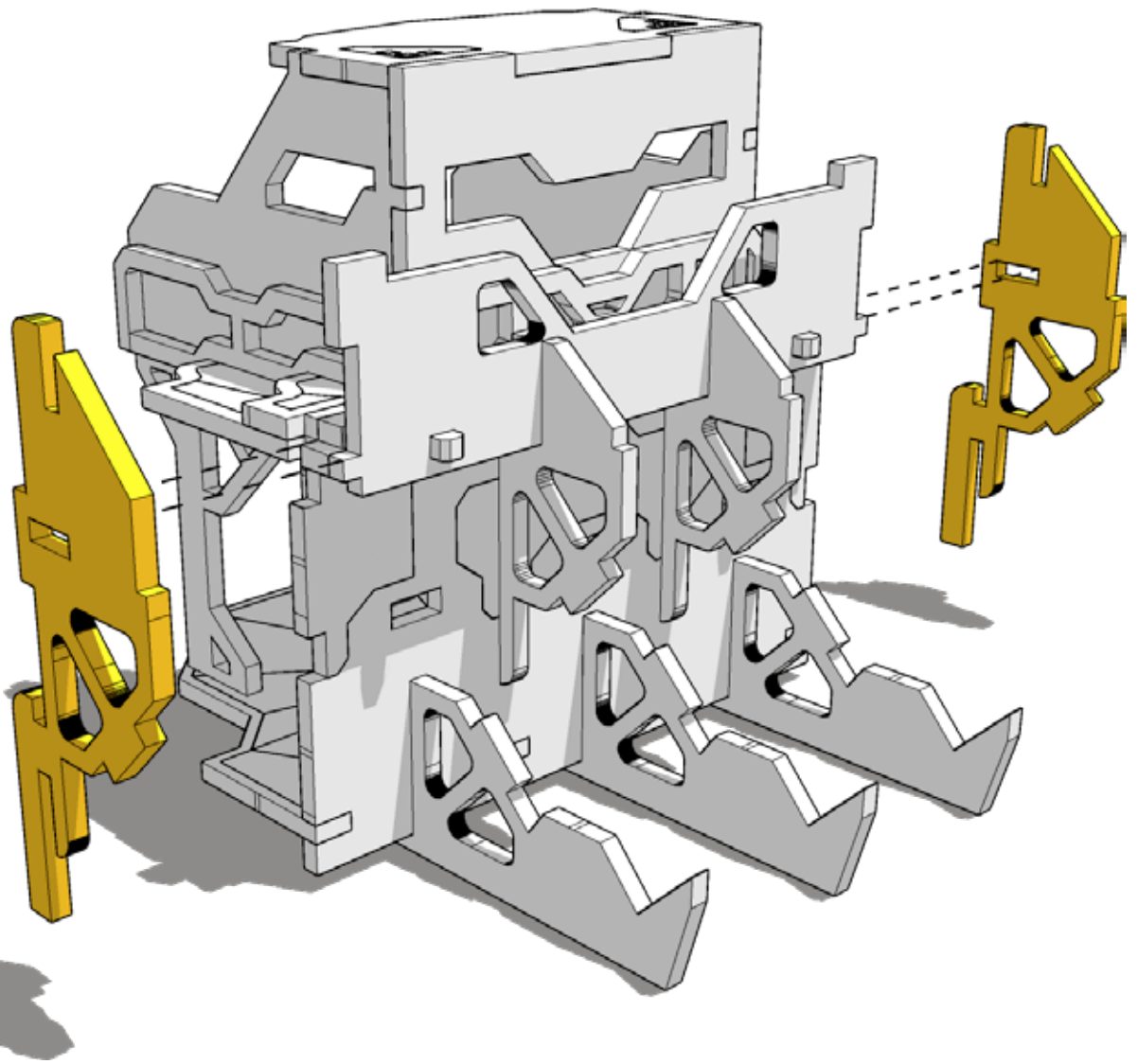




TABLETOP SCENICS

TTSCW-SFG-181
Battlesnap:
Tower

21

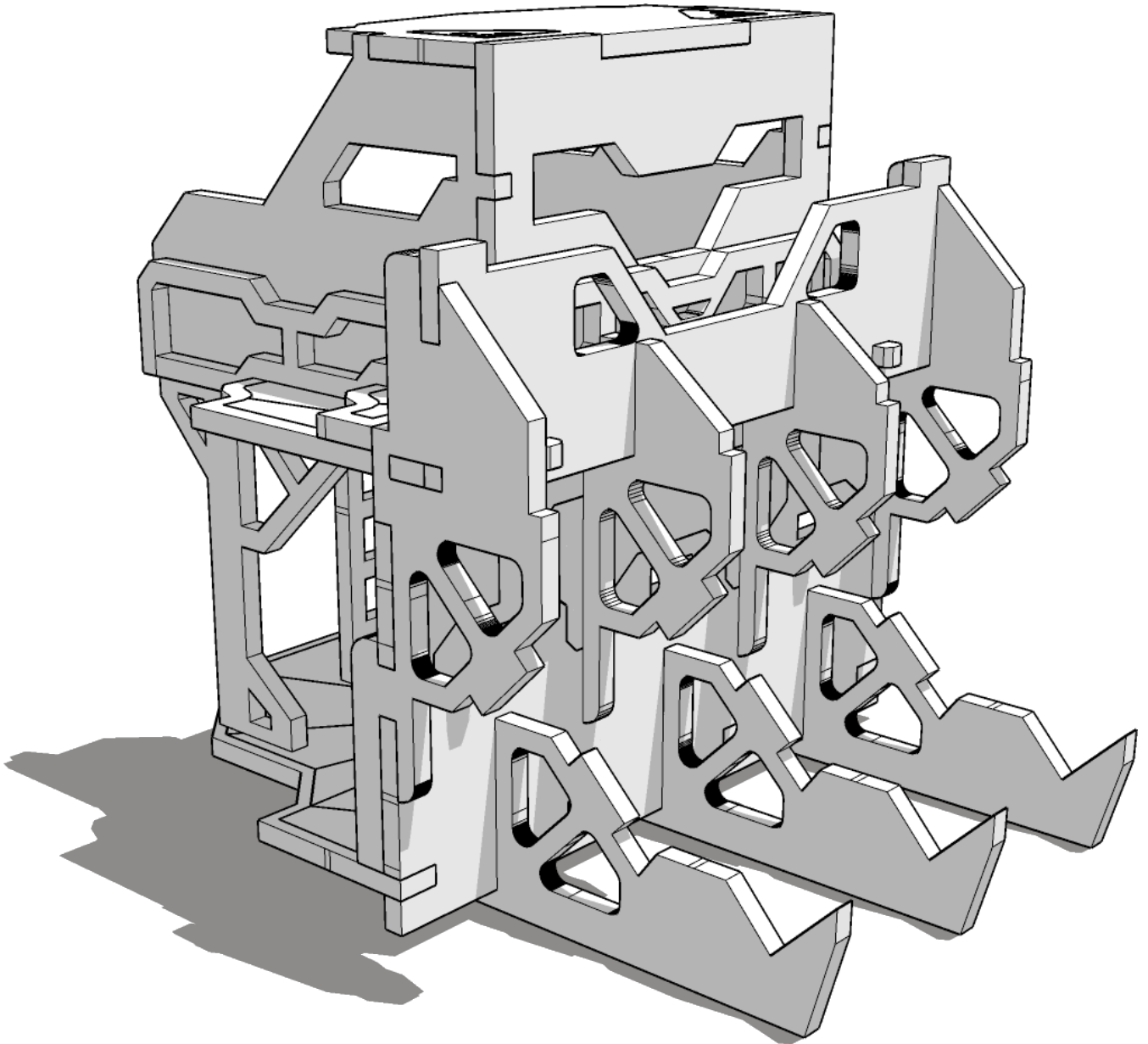




TABLETOP SCENICS

TTSCW-SFG-181
Battlesnap:
Tower

22



Upgraded version complete.
Skip to step 25

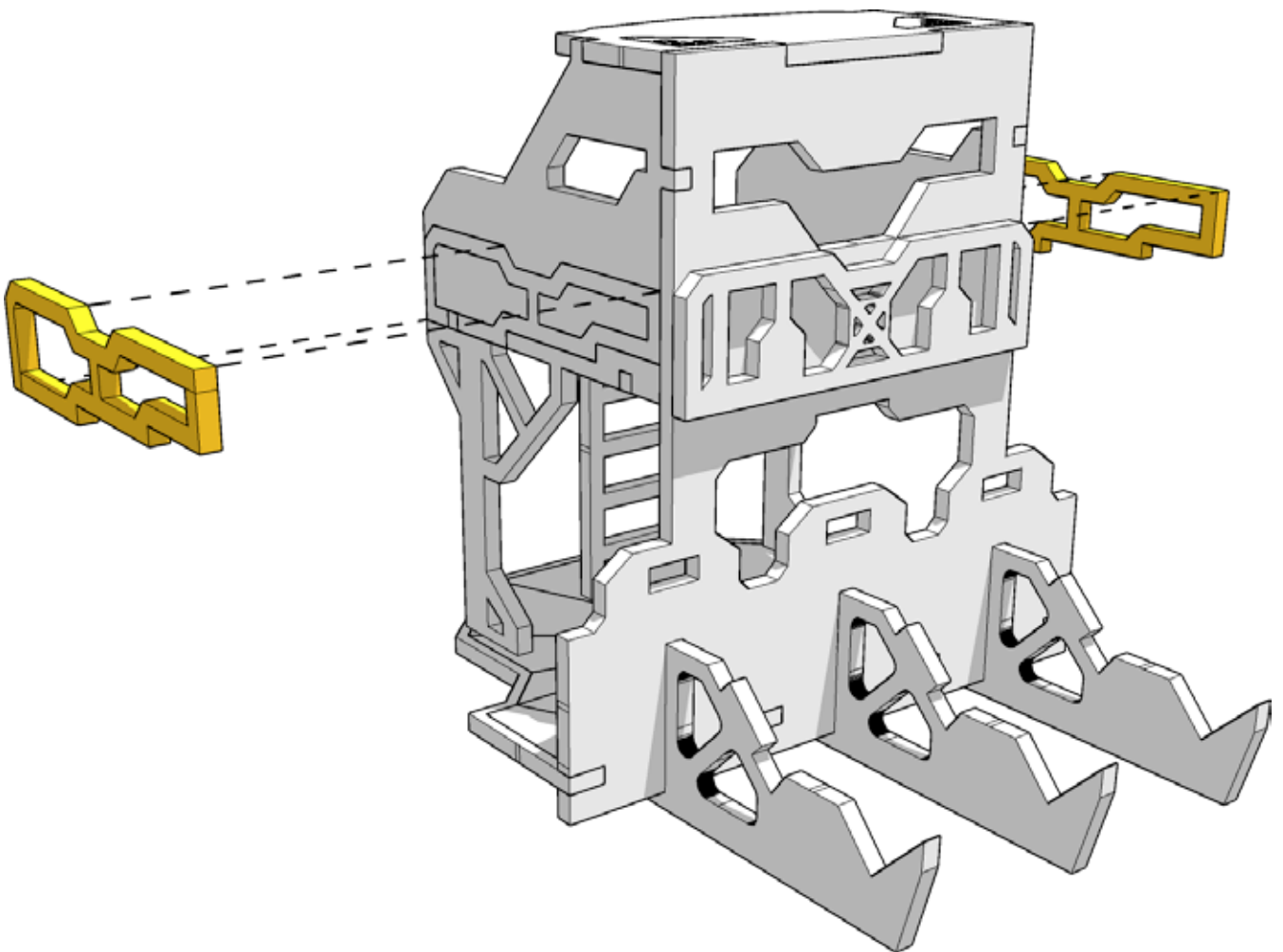




TABLETOP SCENICS

TTSCW-SFG-181
Battlesnap:
Tower

23

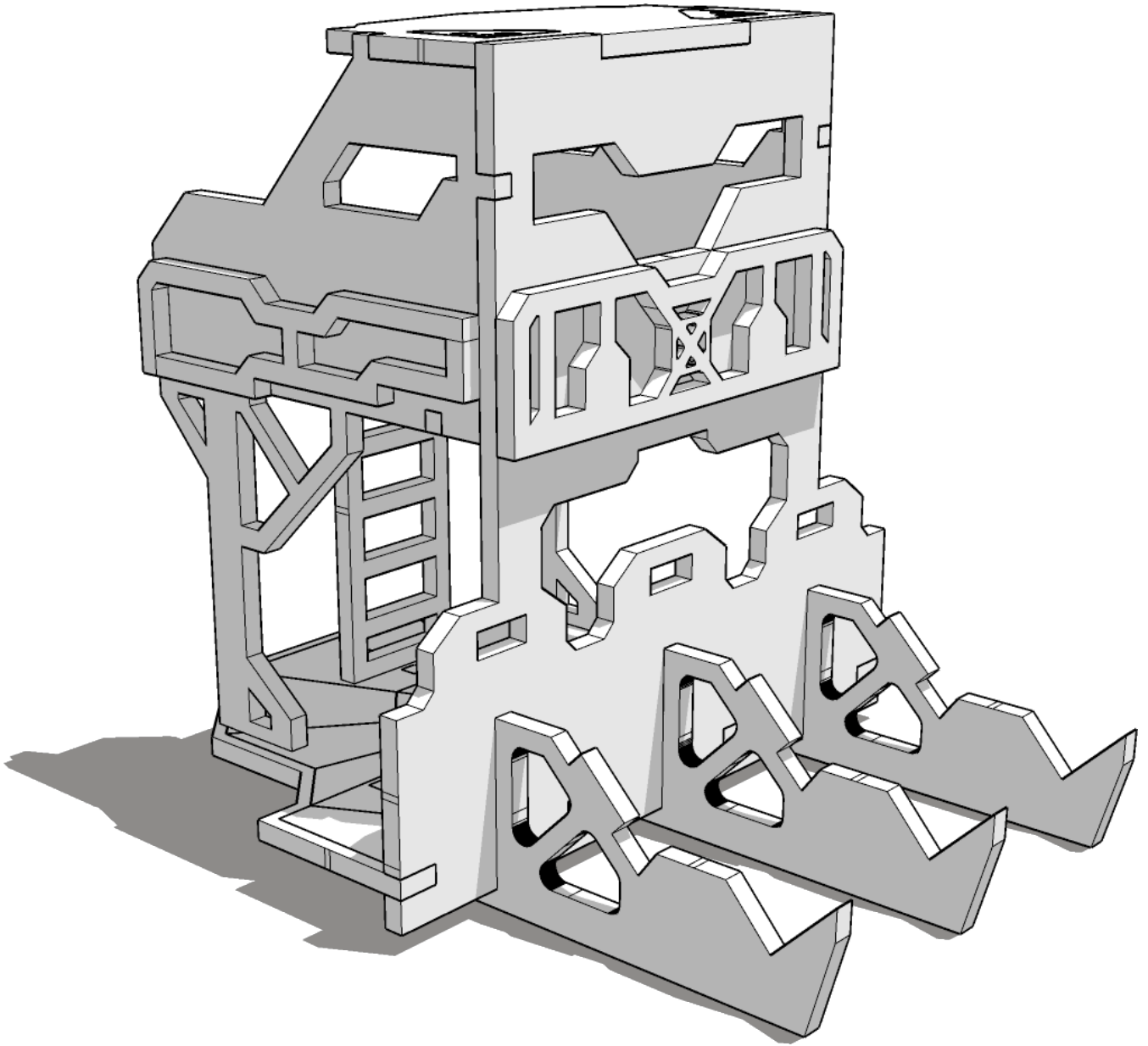




TABLETOP SCENICS

TTSCW-SFG-181
Battlesnap:
Tower

24



The following steps are the same for the either the upgraded or non upgraded tower

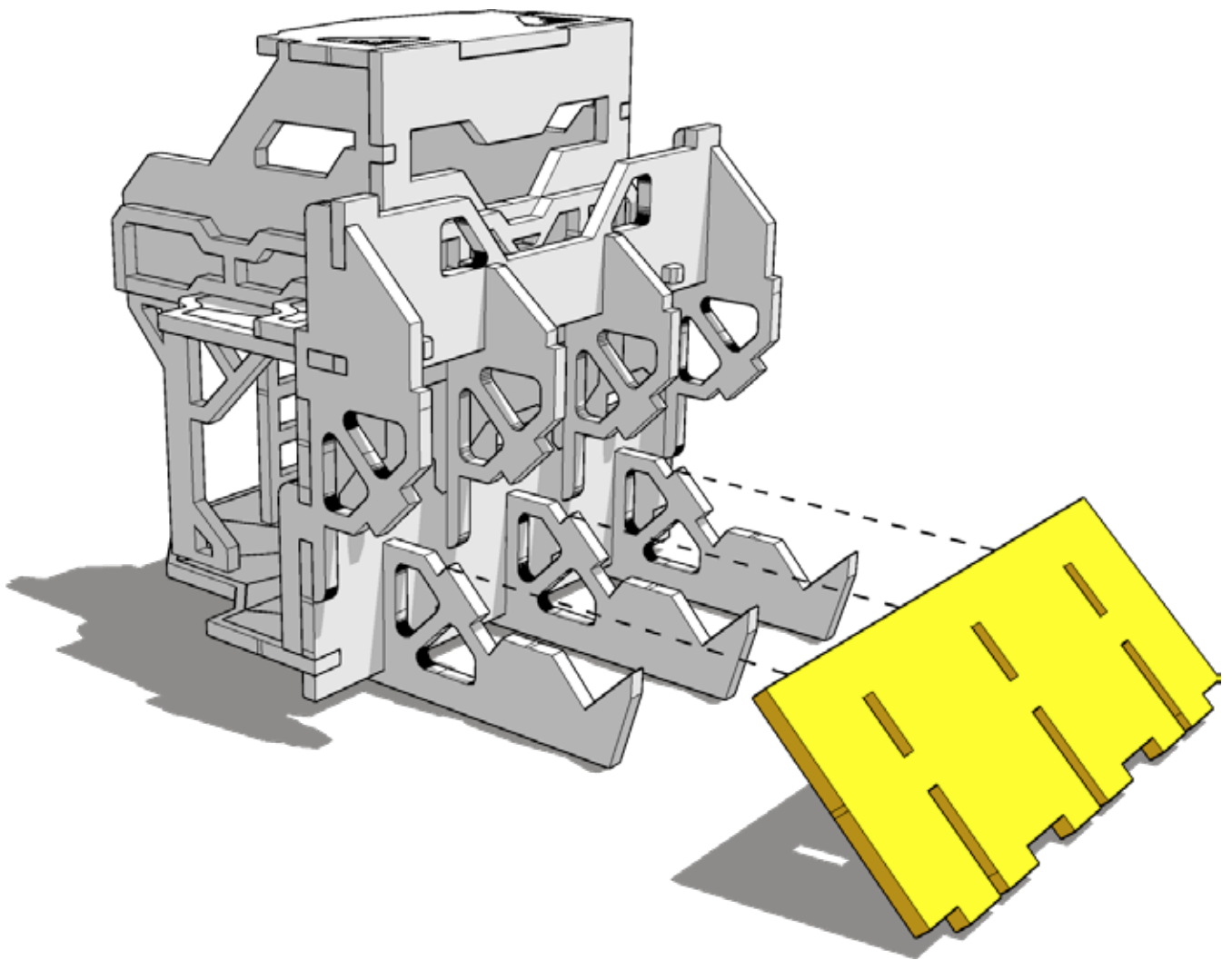




TABLETOP SCENICS

TTSCW-SFG-181
Battlesnap:
Tower

25

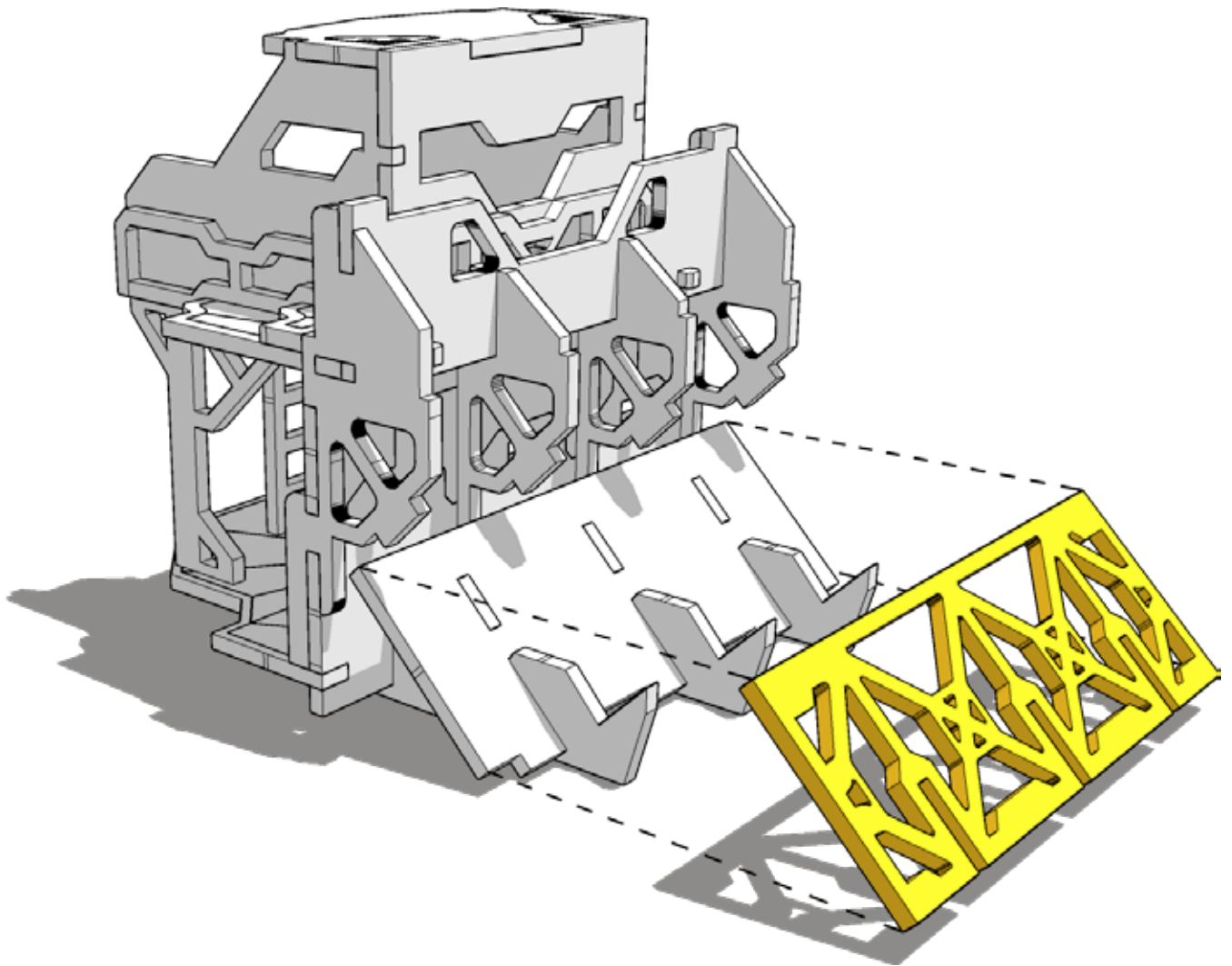




TABLETOP SCENICS

TTSCW-SFG-181
Battlesnap:
Tower

26

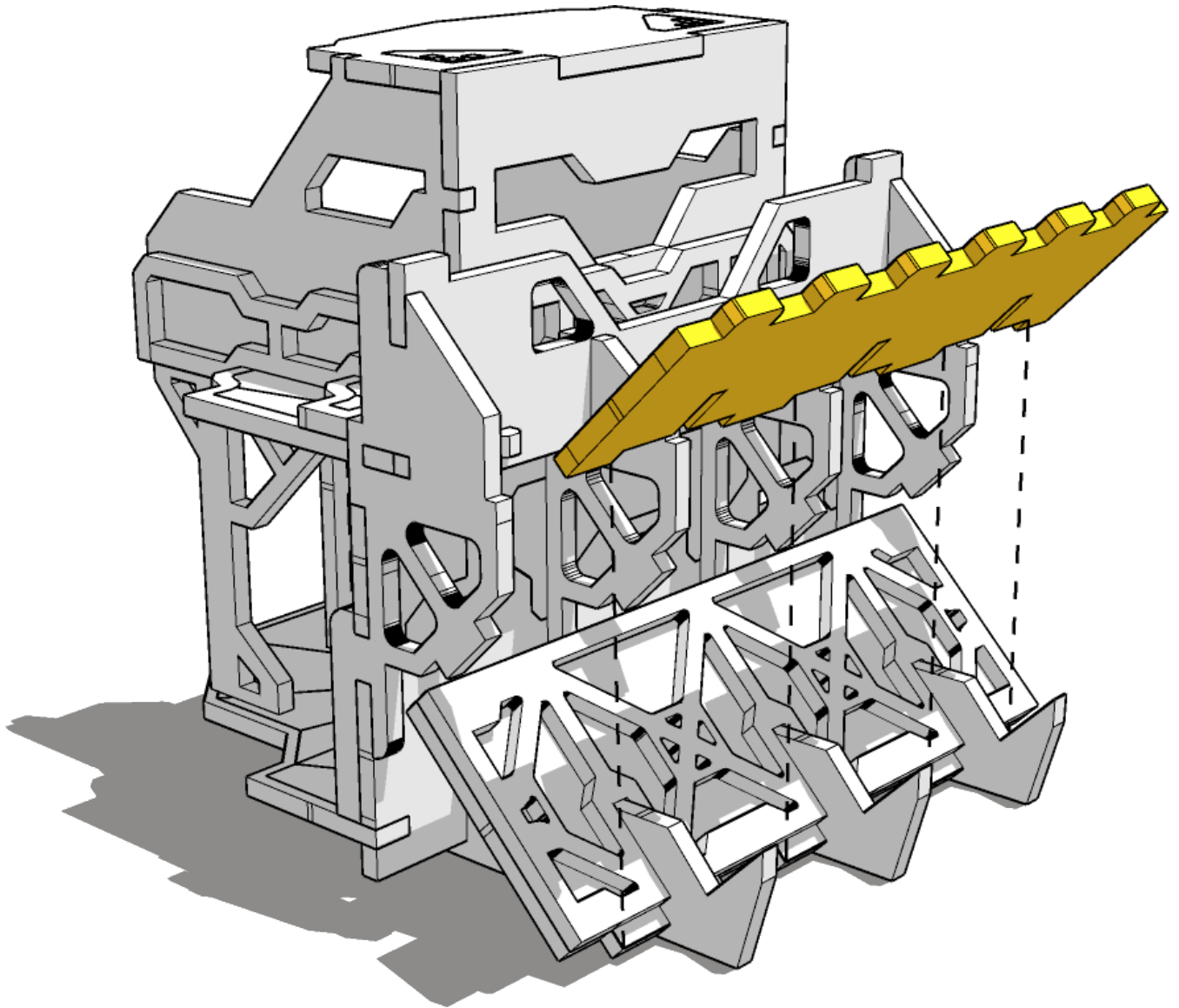




TABLETOP SCENICS

TTSCW-SFG-181
Battlesnap:
Tower

27

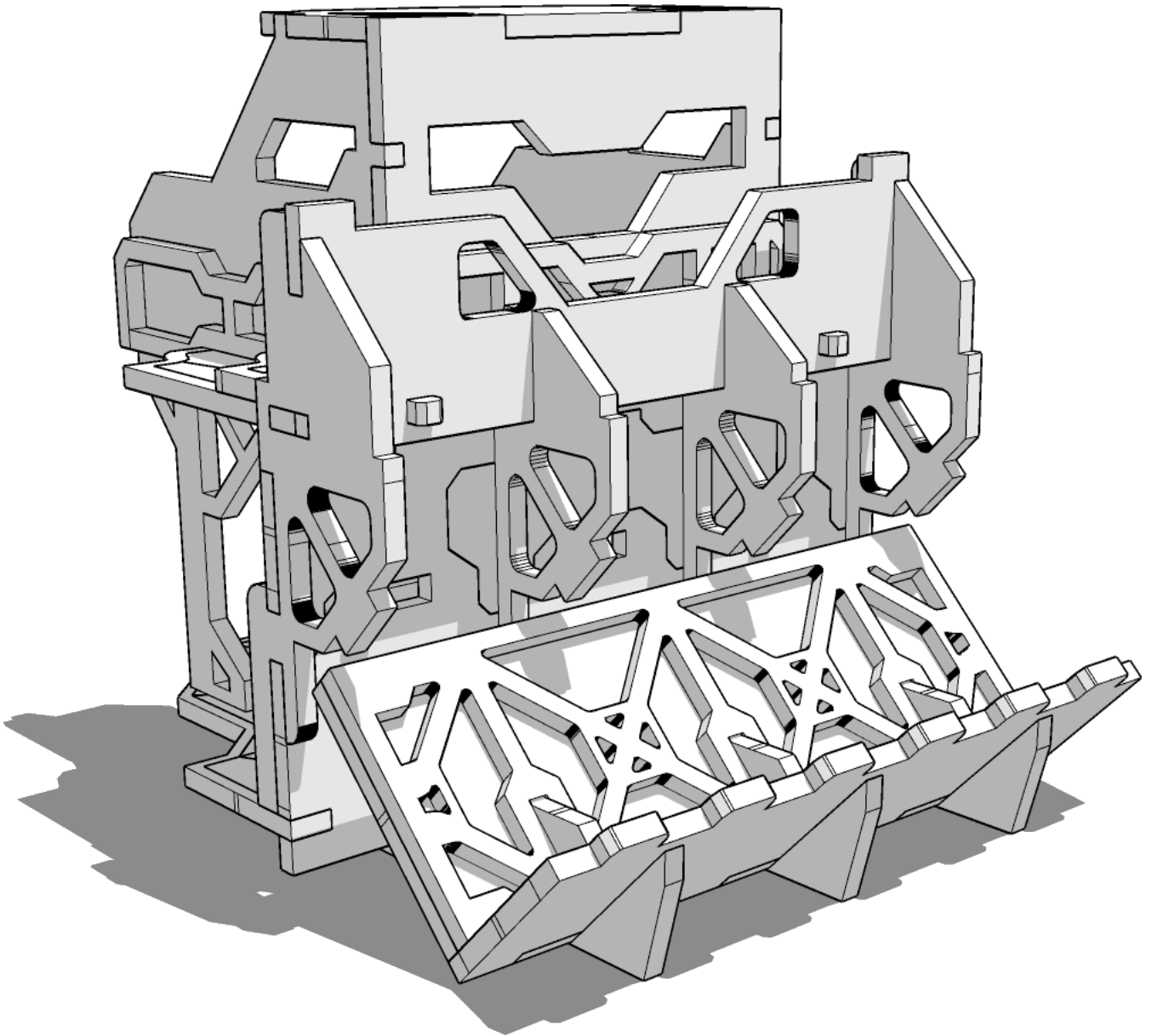




TABLETOP SCENICS

TTSCW-SFG-181
Battlesnap:
Tower

28



x2



TABLETOP SCENICS

TTSCW-SFG-181
Battlesnap:
Tower

29

