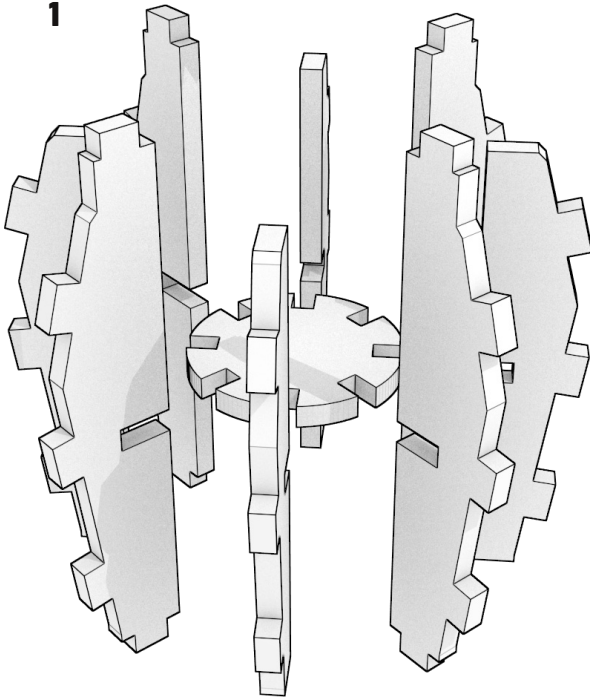




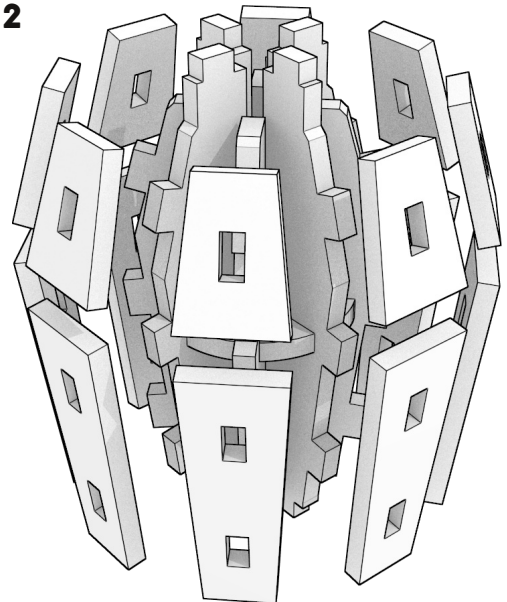
1



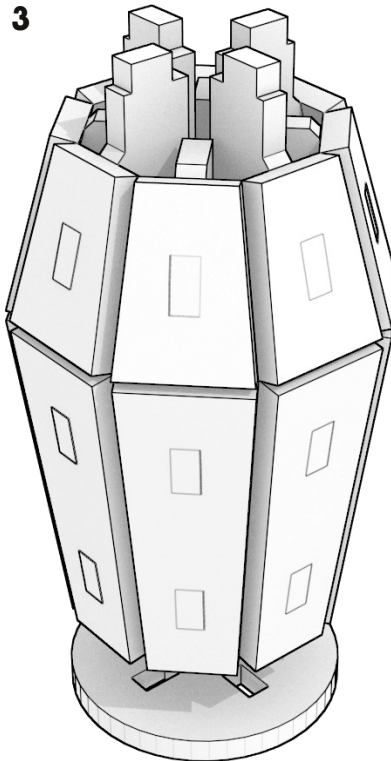
These painting grips are designed with a rotating ring that locks miniatures into place, some sanding and filing may be needed to ensure a smooth rotation and fit depending on base manufacturer.

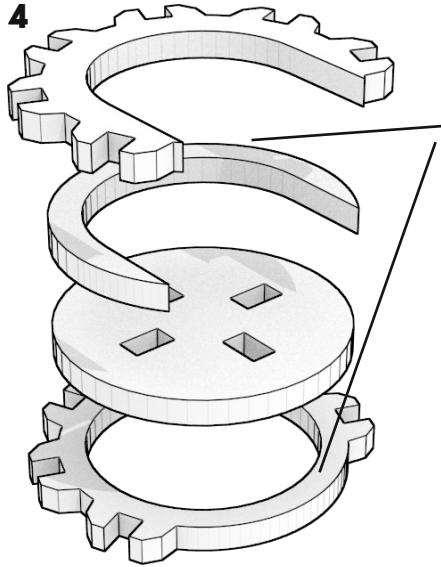
Each size of painting grip is assembled in the same way, simply follow the instructions the same way for each grip size.

2



3

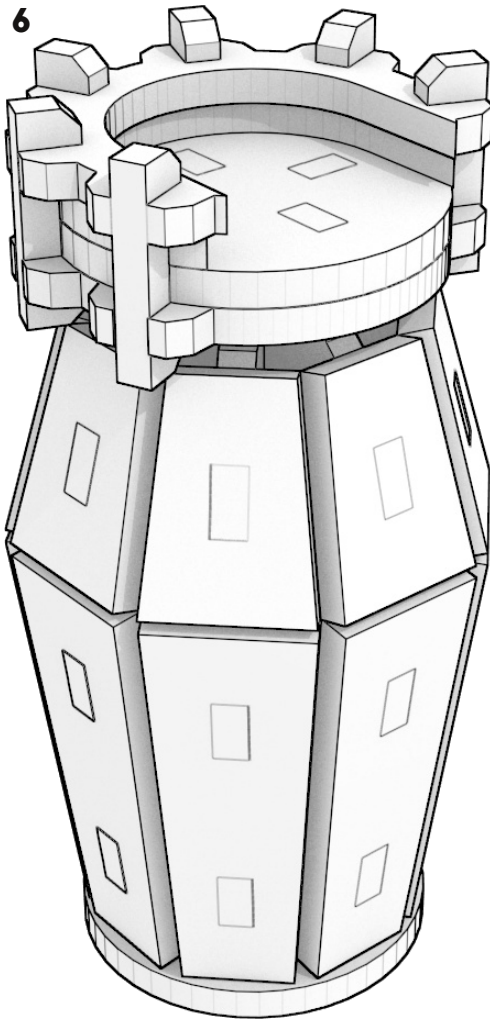
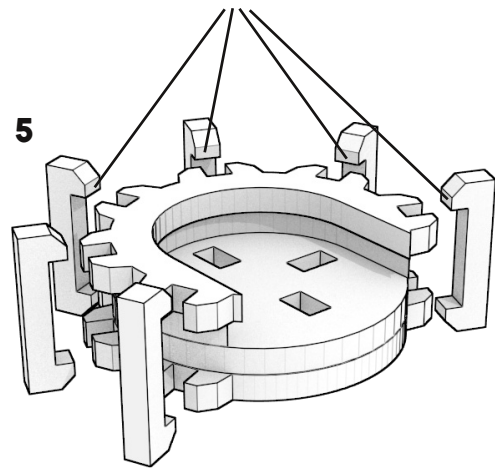




Do not glue these areas

Some sanding may be needed to get a smooth rotation.

Only glue the tops and bottoms of spacers.



TTCOMBAT

Warning: This product is not a toy.
Contains small parts. Not suitable
for children under 14 years.