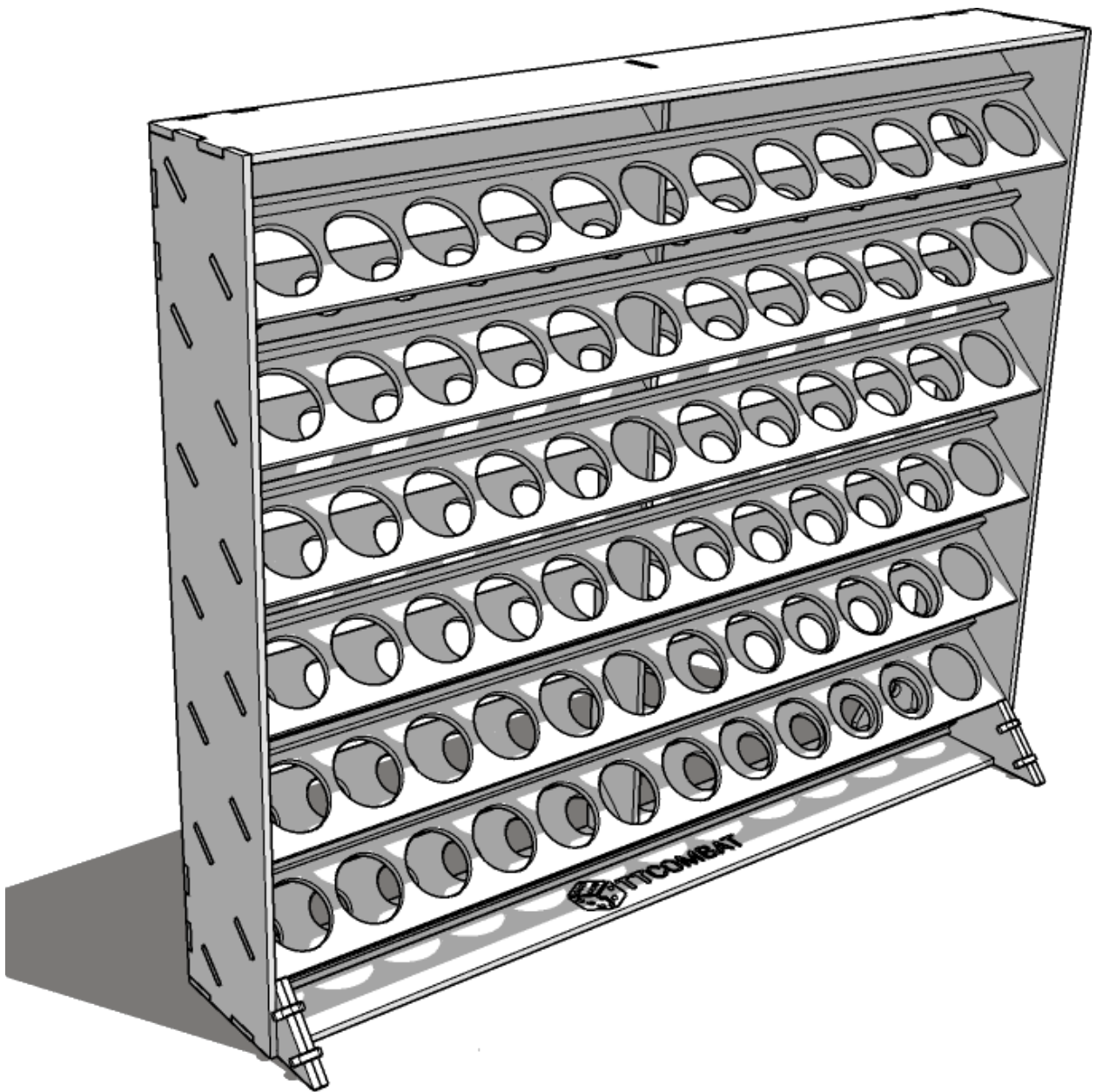




# TABLETOP SCENICS

**TTSCW-HBA-O45**  
**TTCCombat & Vallejo**  
**Paint Rack 72**



 **TTCOMBAT**



# TABLETOP SCENICS

**TTSCW-HBA-O45**  
**TTCCombat & Vallejo**  
**Paint Rack 72**

**2**

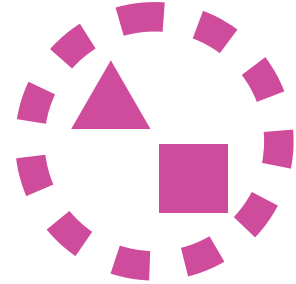
These are a series of icons that may be used throughout the instructions to help your assembly:



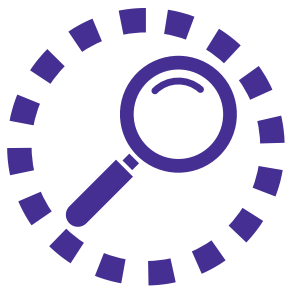
Do not glue this part



Carefully score and  
fold this part



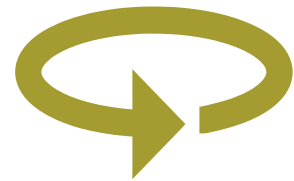
This part - or its placement is  
completely optional



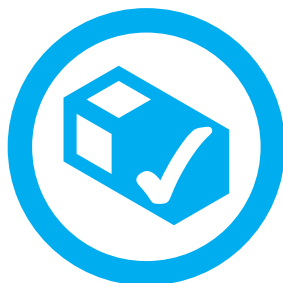
Look closely at this step  
- its process order or part  
used may be specific



Repeat making this part  
the specified number  
of times



The next instruction step  
will be the same assembly  
so far, but from a different  
angle



Sub-assembly complete.  
This smaller construction  
is ready to add to the  
main kit



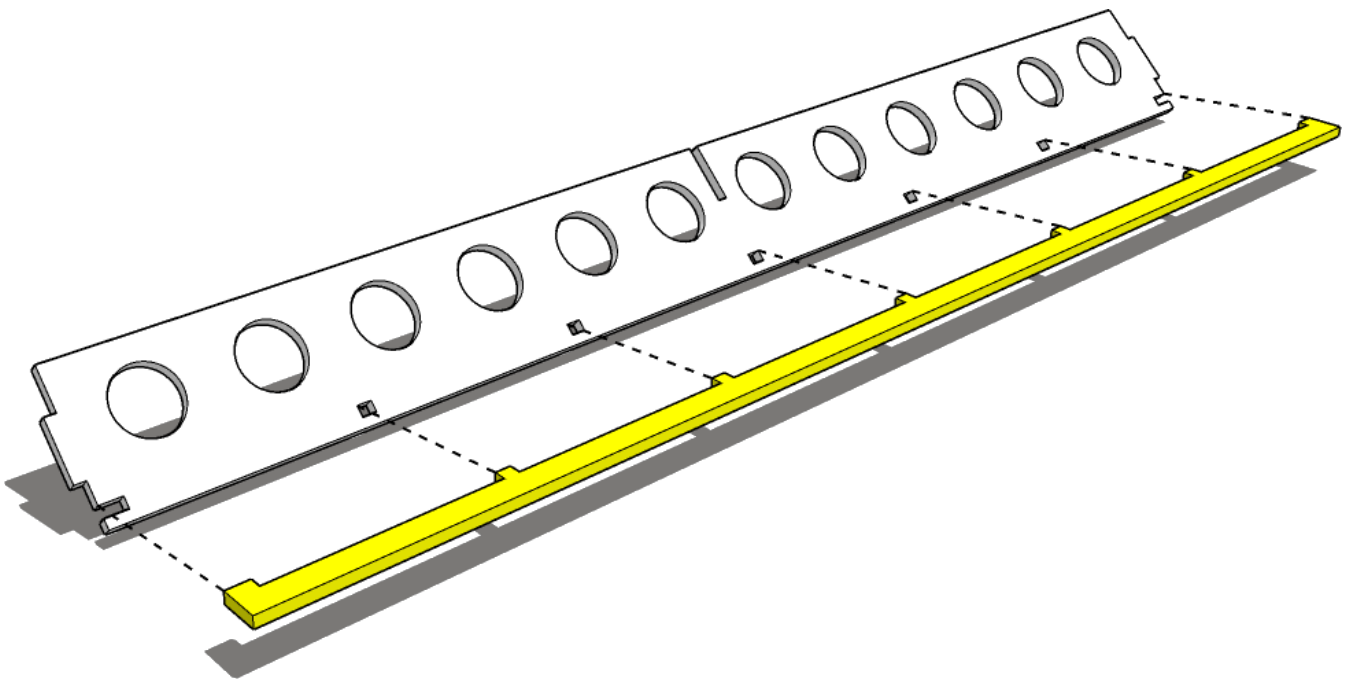
Assembly Complete! There  
could be more optional  
parts - check to the very end  
of instructions



# TABLETOP SCENICS

TTSCW-HBA-O45  
TTCombat & Vallejo  
Paint Rack 72

3

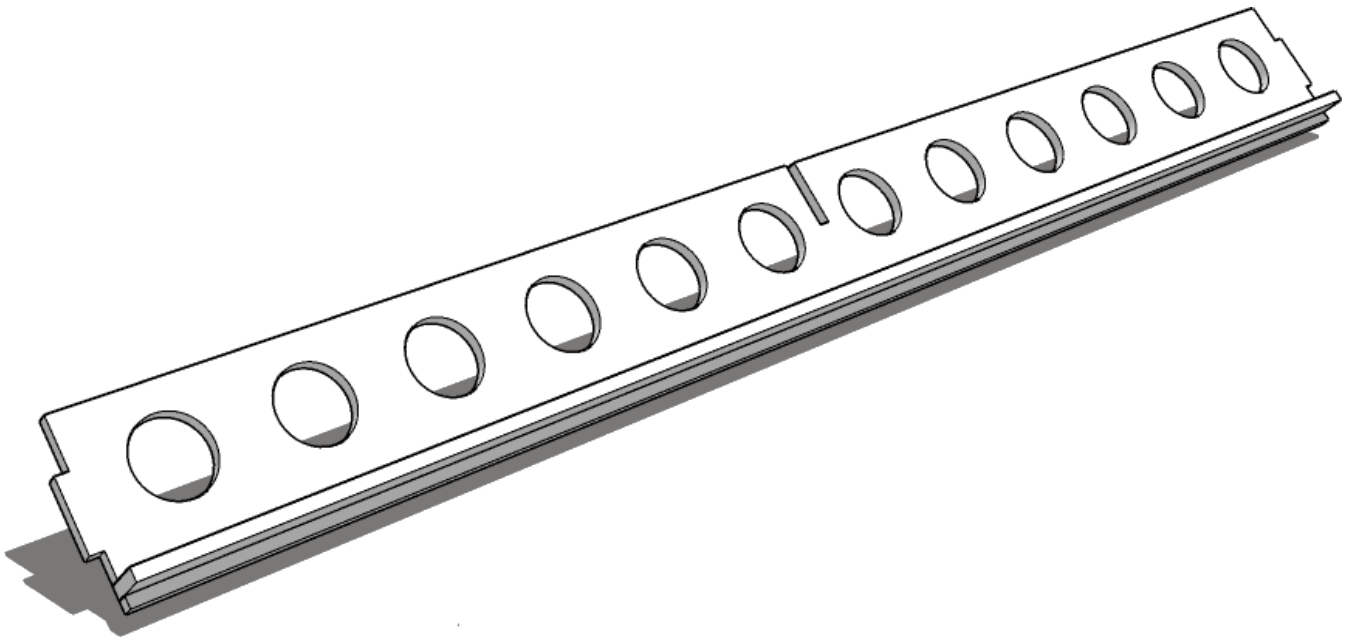




# TABLETOP SCENICS

**TTSCW-HBA-045**  
**TTCCombat & Vallejo**  
**Paint Rack 72**

**4**

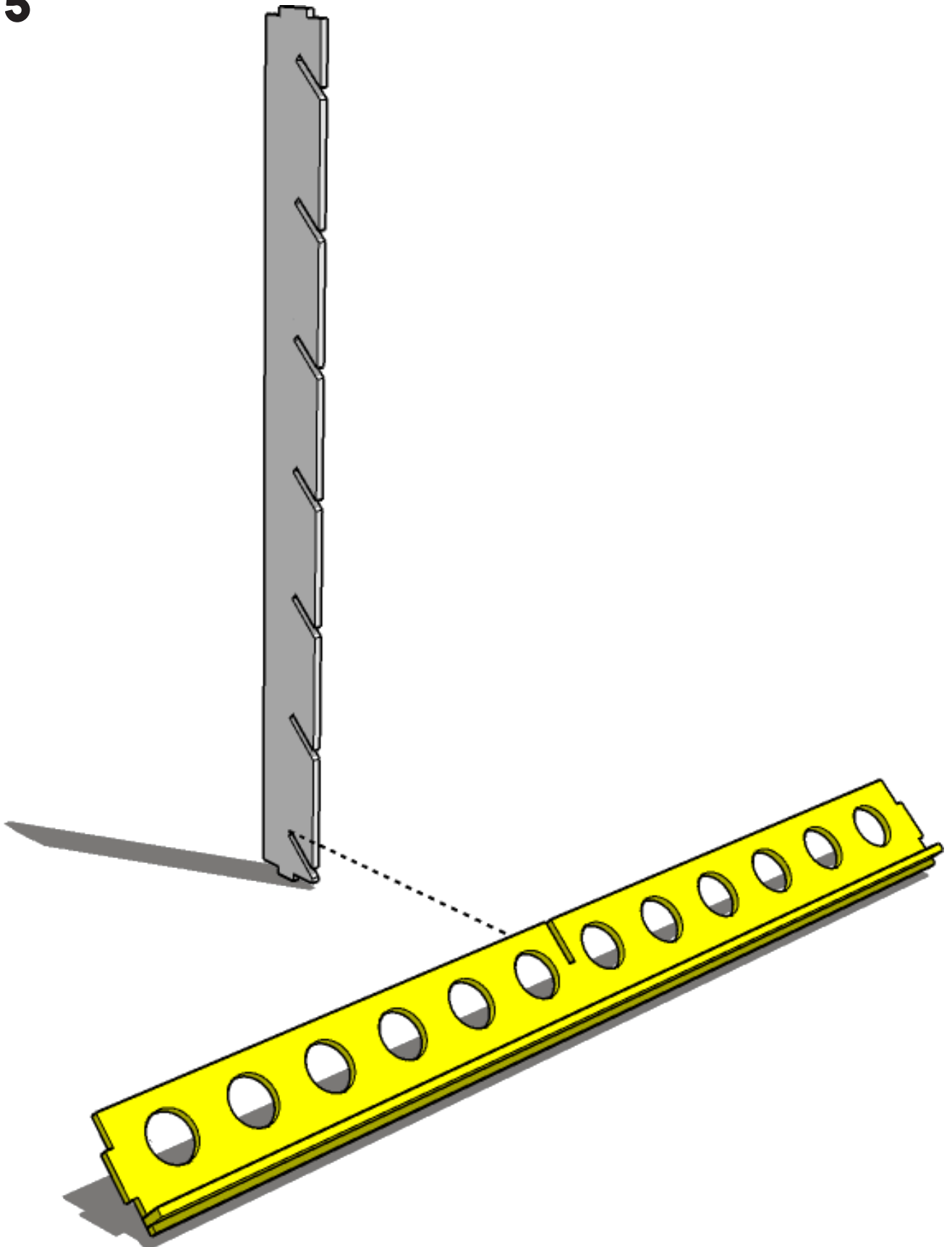




# TABLETOP SCENICS

TTSCW-HBA-045  
TTCombat & Vallejo  
Paint Rack 72

5

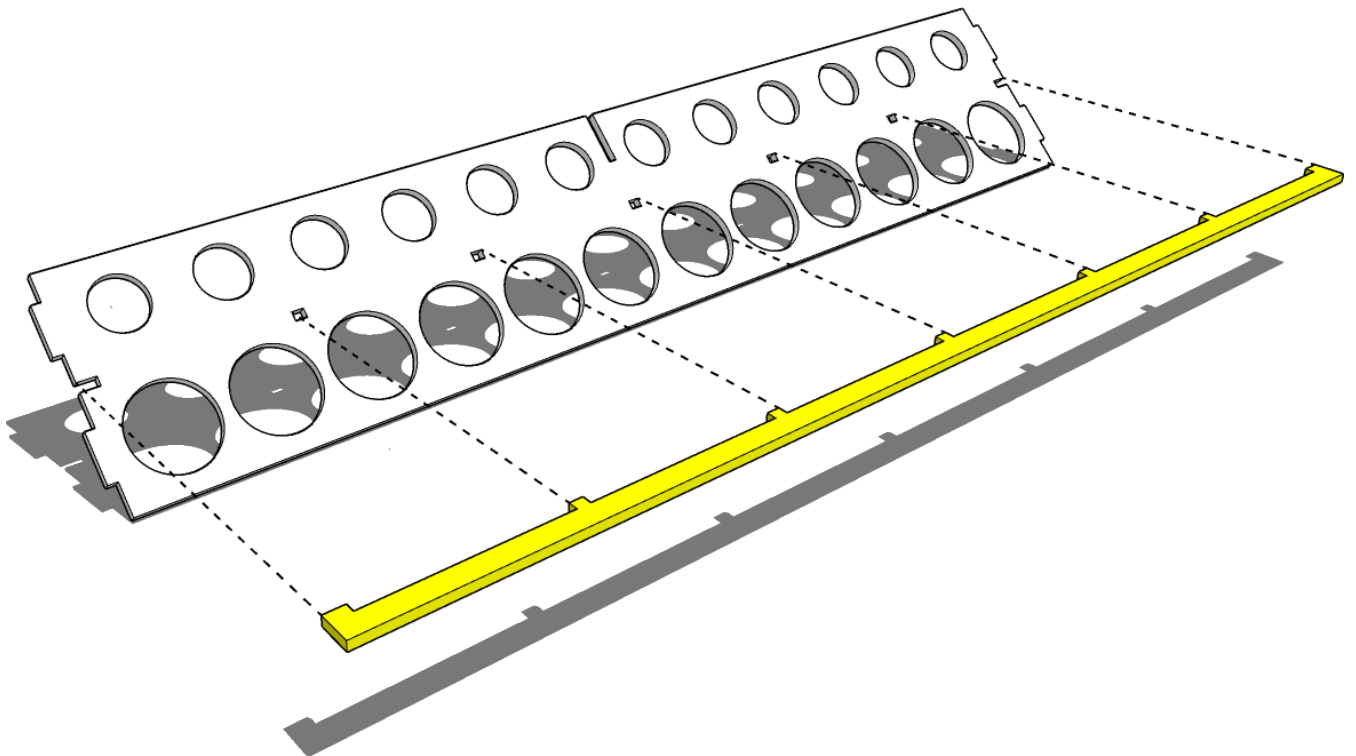




# TABLETOP SCENICS

TTSCW-HBA-045  
TTCombat & Vallejo  
Paint Rack 72

6

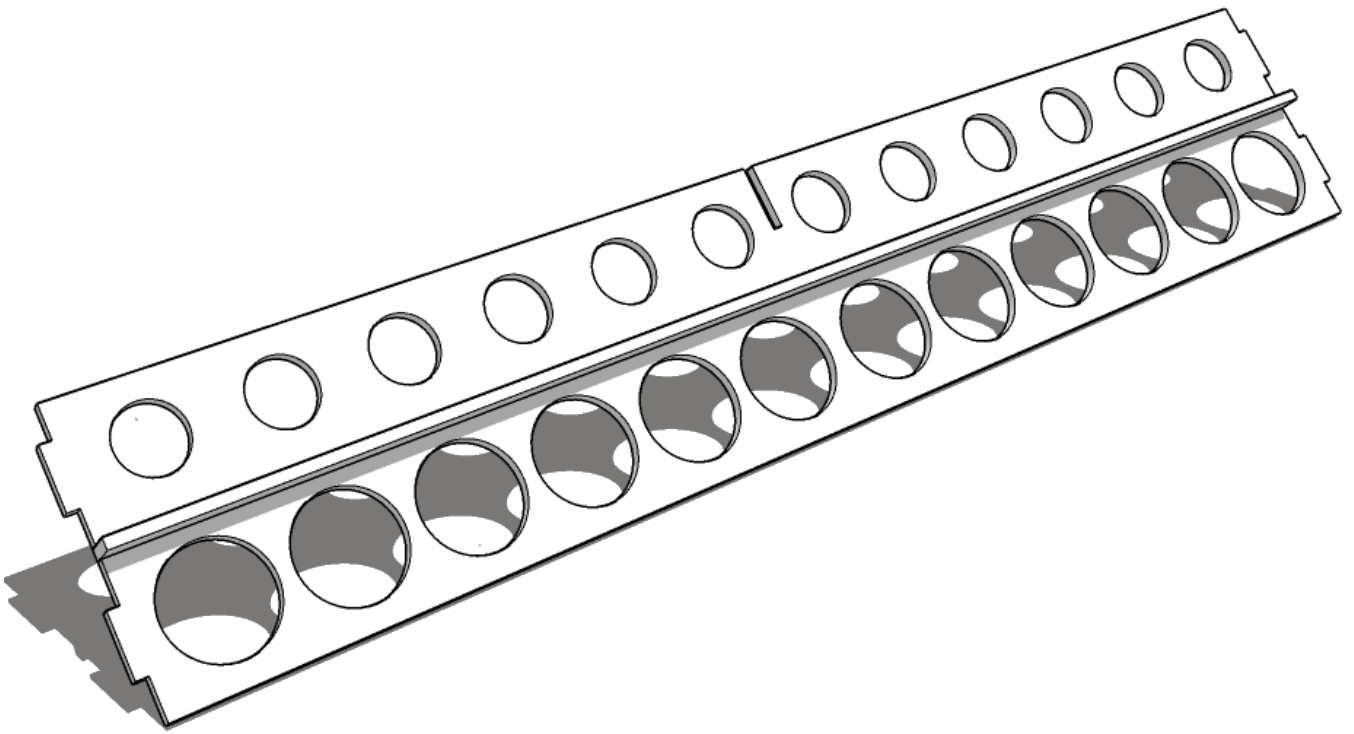




# TABLETOP SCENICS

**TTSCW-HBA-O45**  
**TTCCombat & Vallejo**  
**Paint Rack 72**

**7**



**x5**

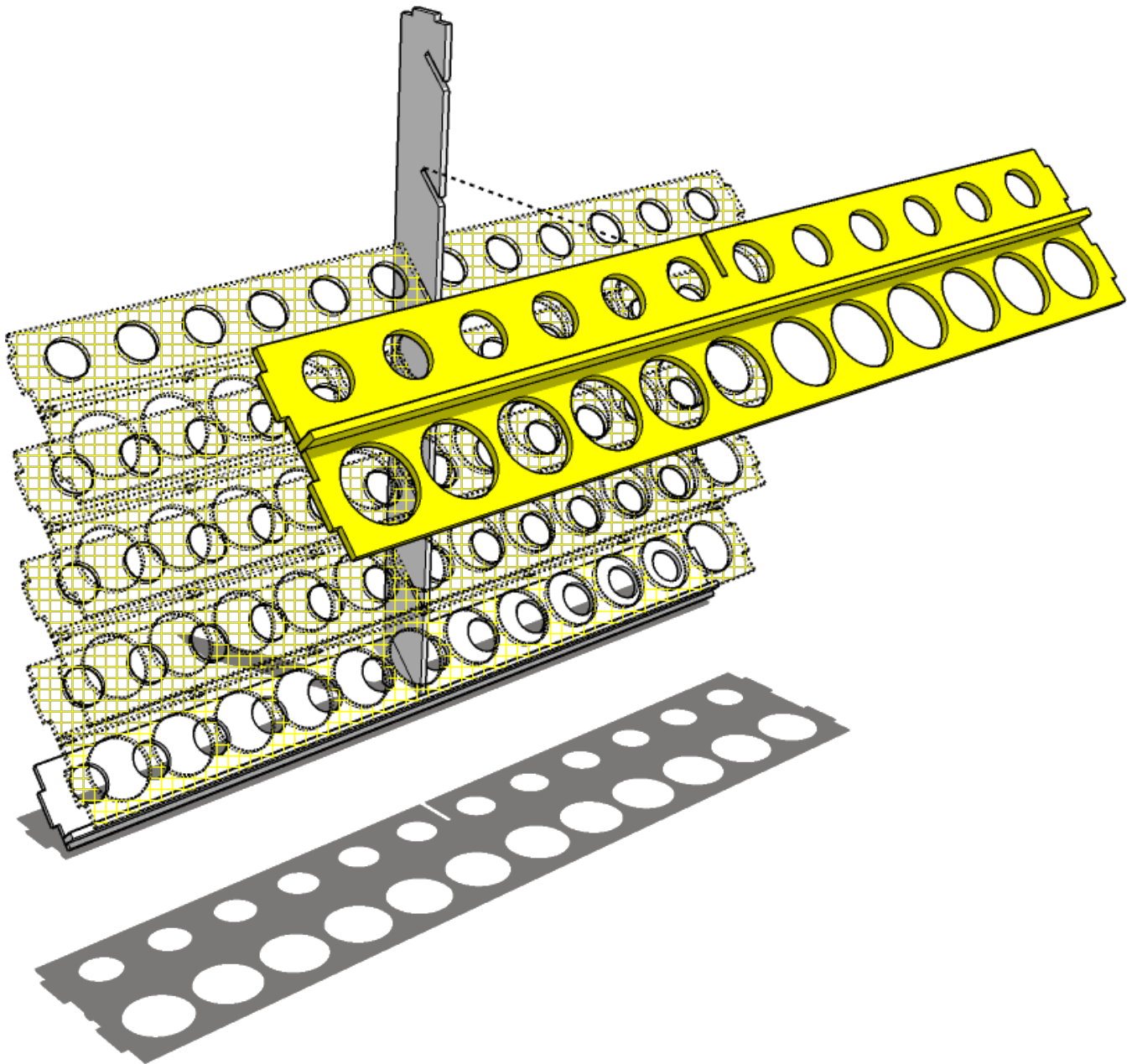
 **TTCOMBAT**



# TABLETOP SCENICS

TTSCW-HBA-O45  
TTCombat & Vallejo  
Paint Rack 72

8



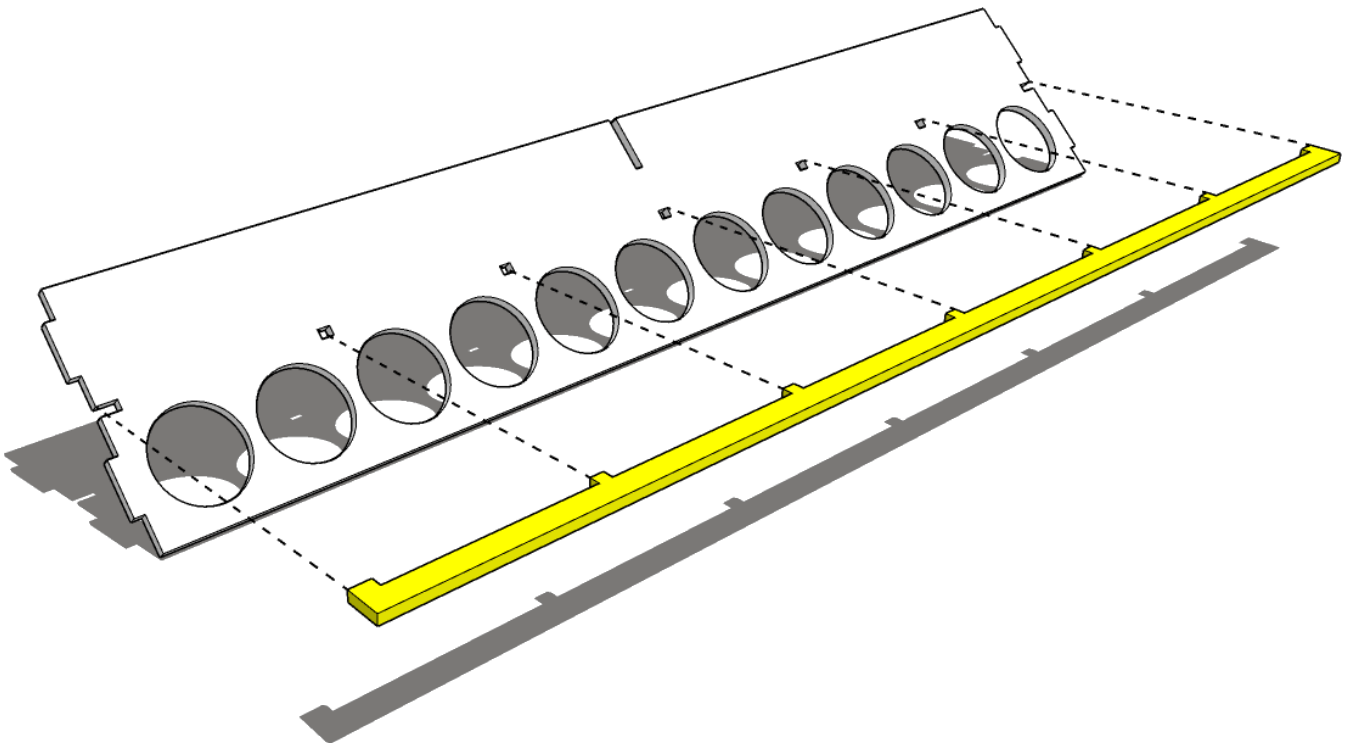




# TABLETOP SCENICS

TTSCW-HBA-O45  
TTCombat & Vallejo  
Paint Rack 72

9

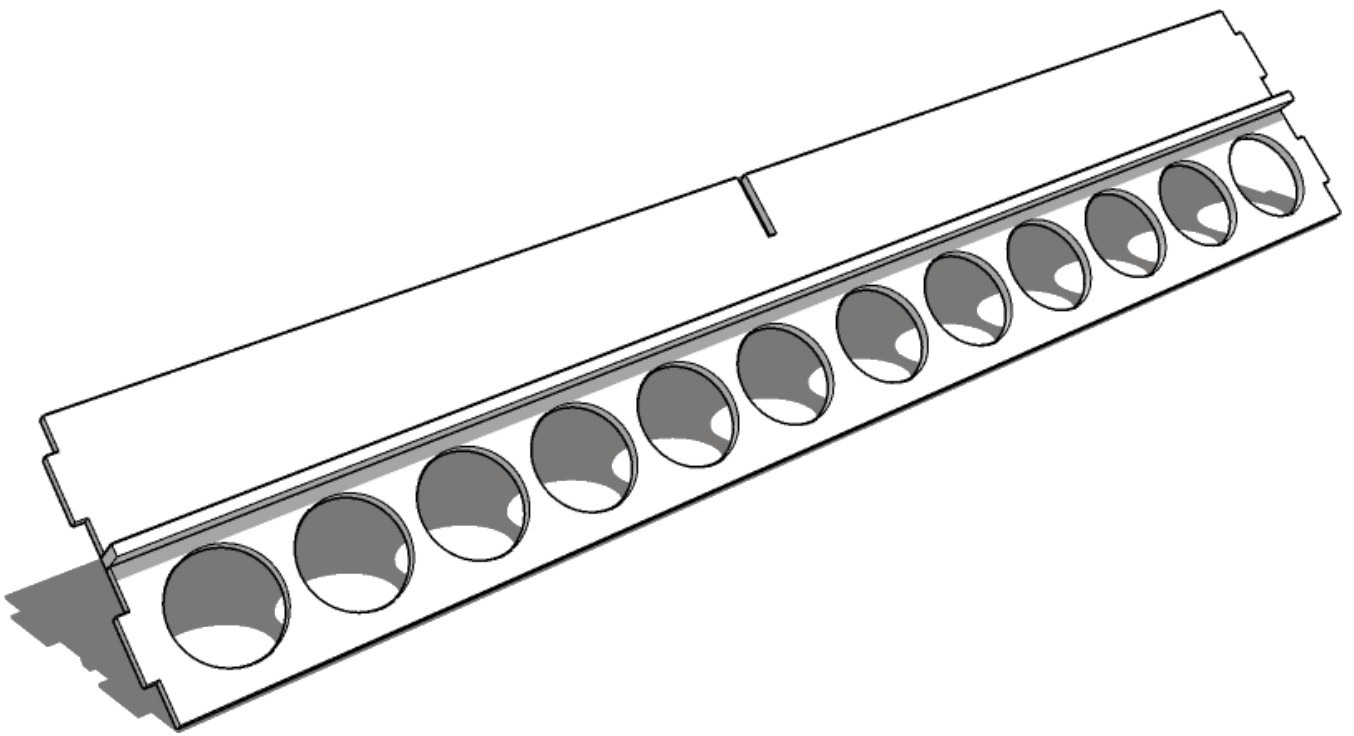




# TABLETOP SCENICS

**TTSCW-HBA-O45**  
**TTCCombat & Vallejo**  
**Paint Rack 72**

**10**

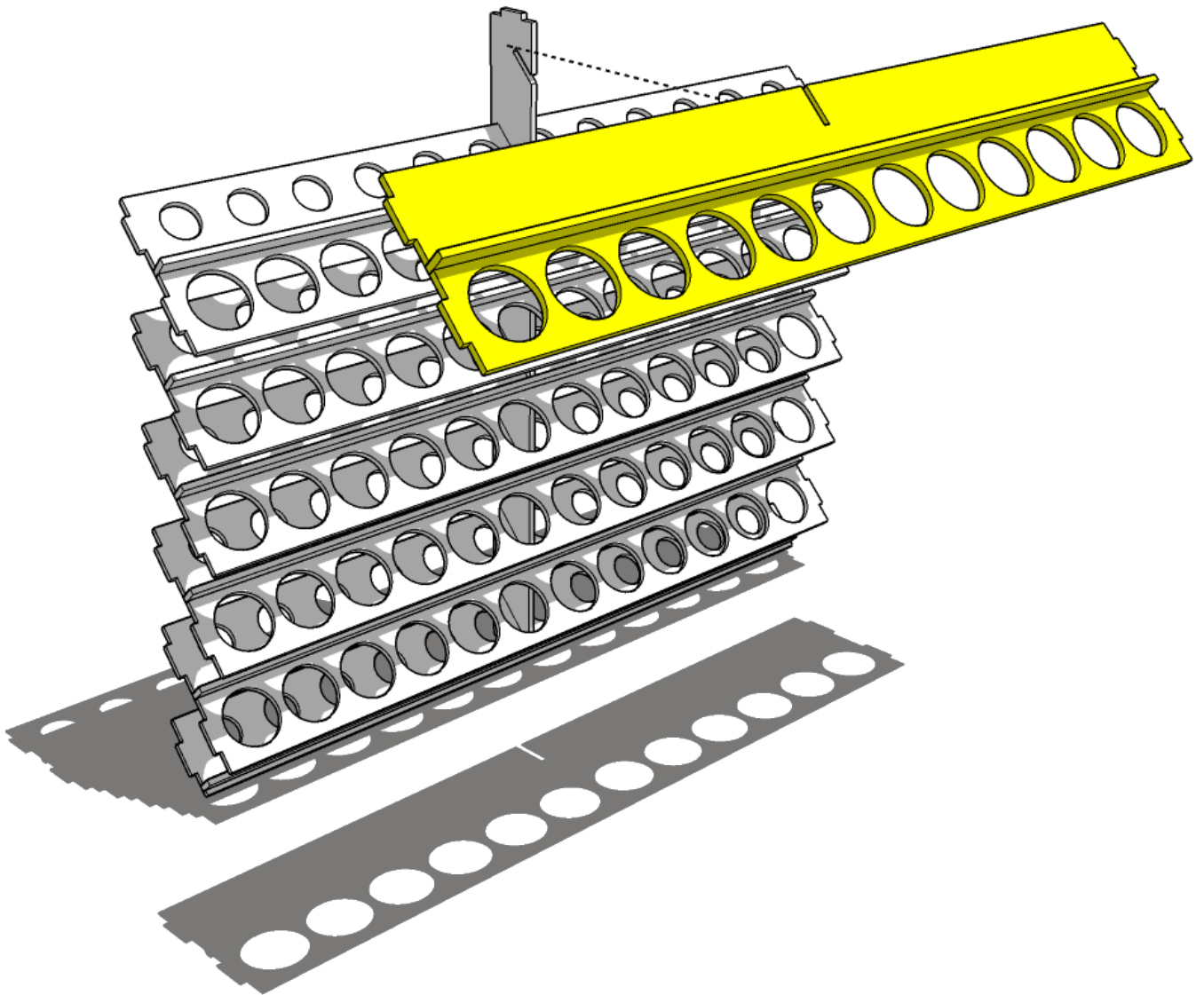




# TABLETOP SCENICS

TTSCW-HBA-045  
TTCombat & Vallejo  
Paint Rack 72

11

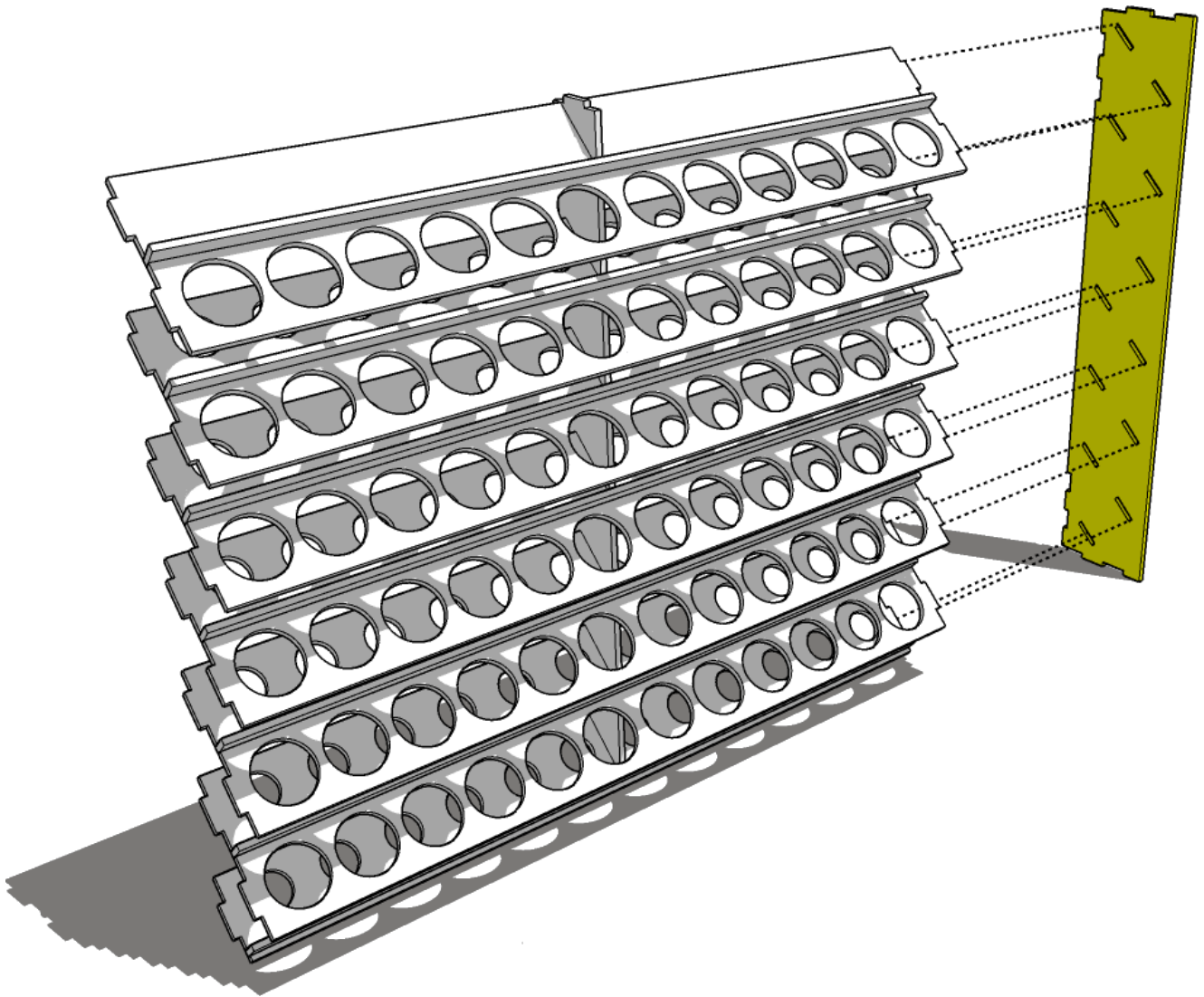




# TABLETOP SCENICS

TTSCW-HBA-O45  
TTCombat & Vallejo  
Paint Rack 72

12



The long smooth side should face the front



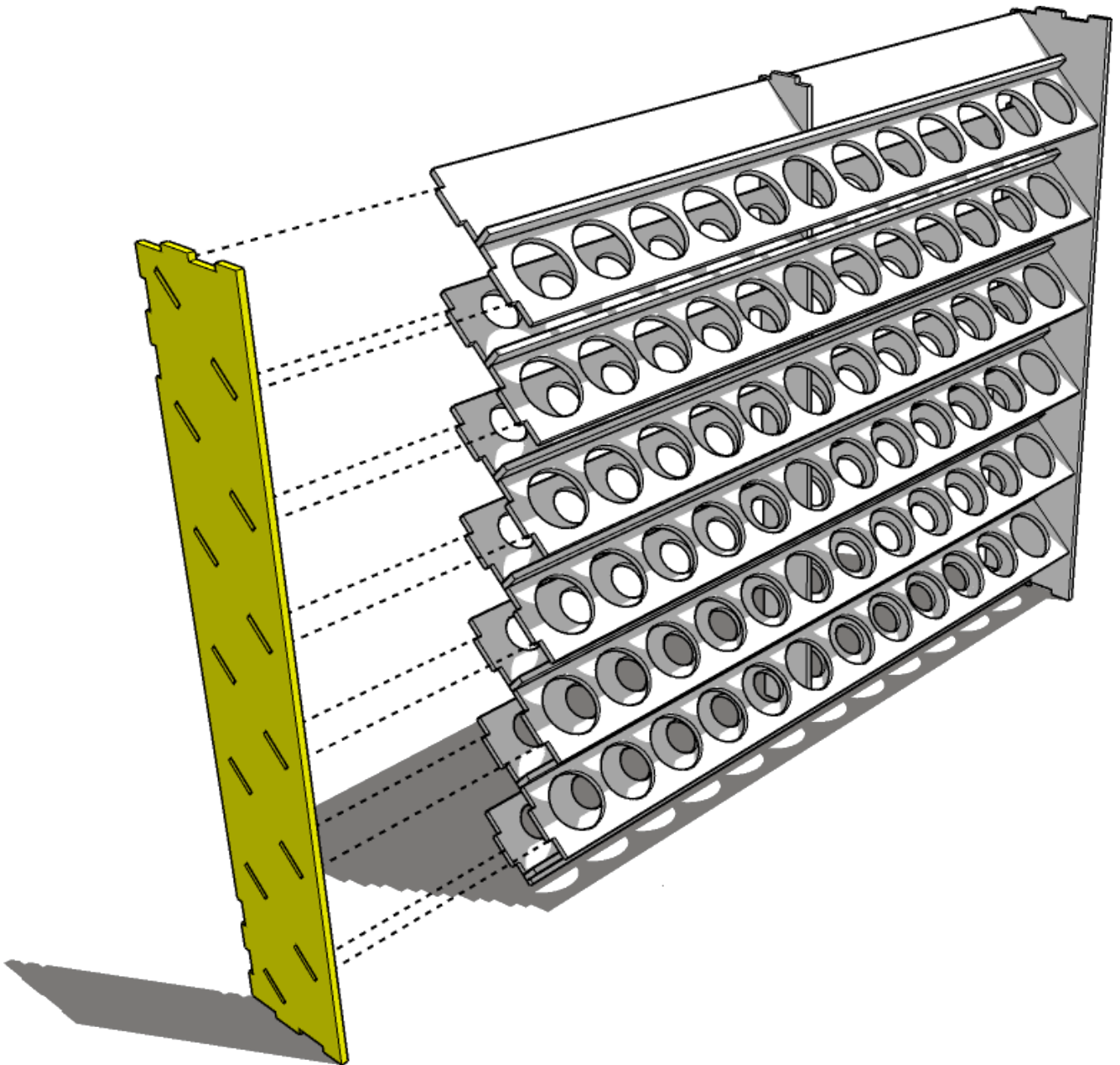
 **TTCOMBAT**



# TABLETOP SCENICS

TTSCW-HBA-045  
TTCombat & Vallejo  
Paint Rack 72

13

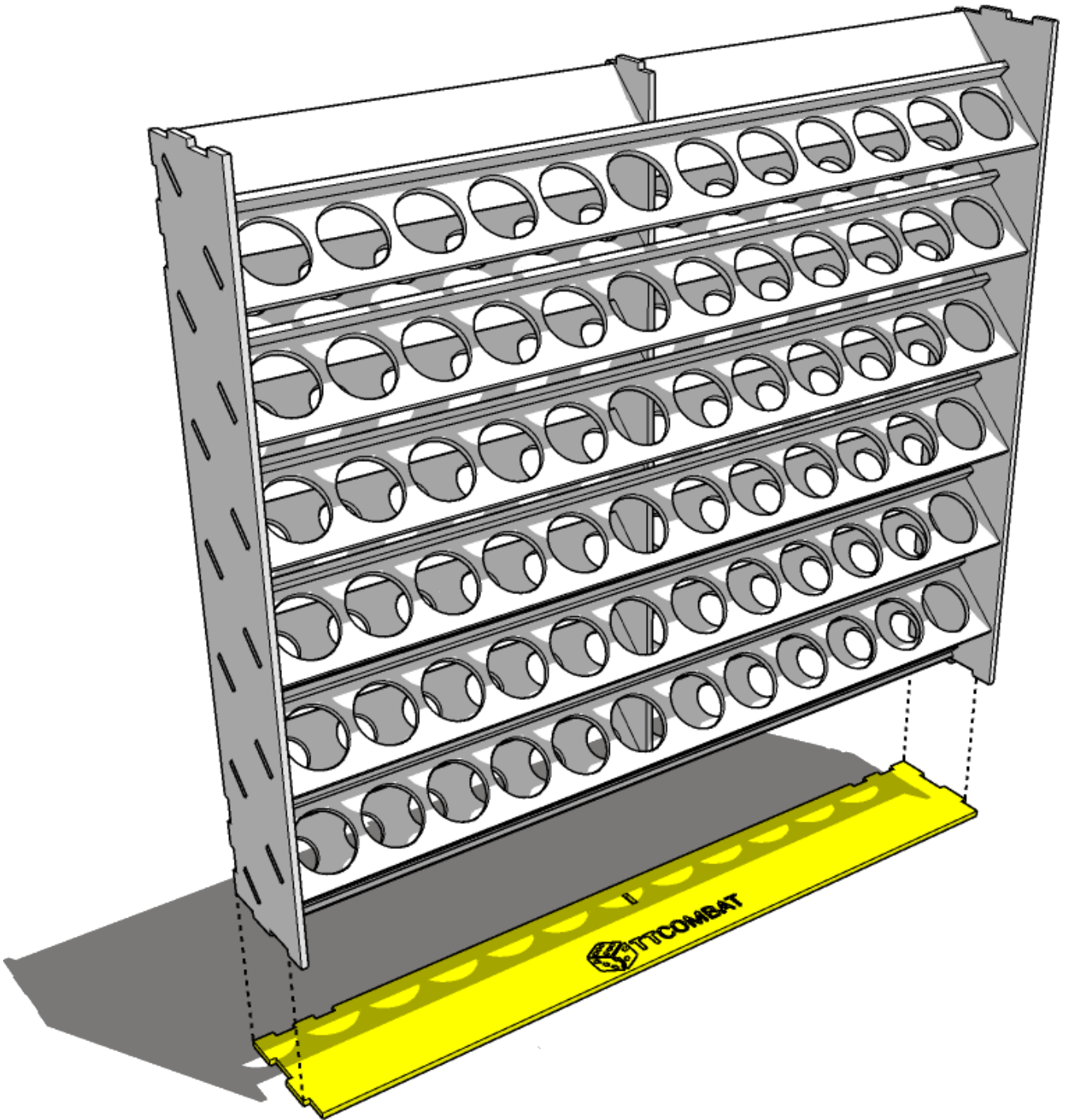




# TABLETOP SCENICS

TTSCW-HBA-045  
TTCombat & Vallejo  
Paint Rack 72

14

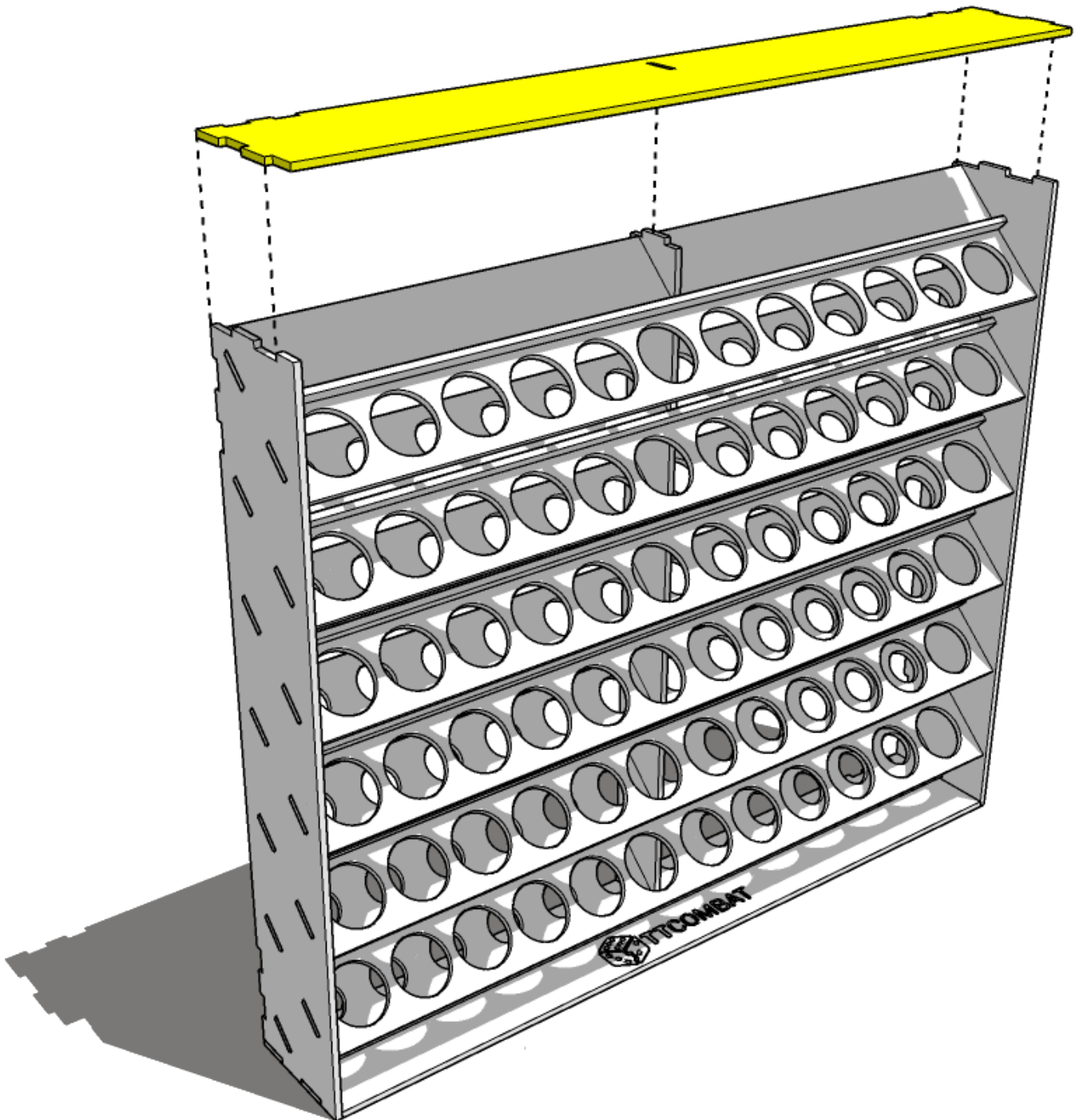




# TABLETOP SCENICS

TTSCW-HBA-O45  
TTCombat & Vallejo  
Paint Rack 72

15

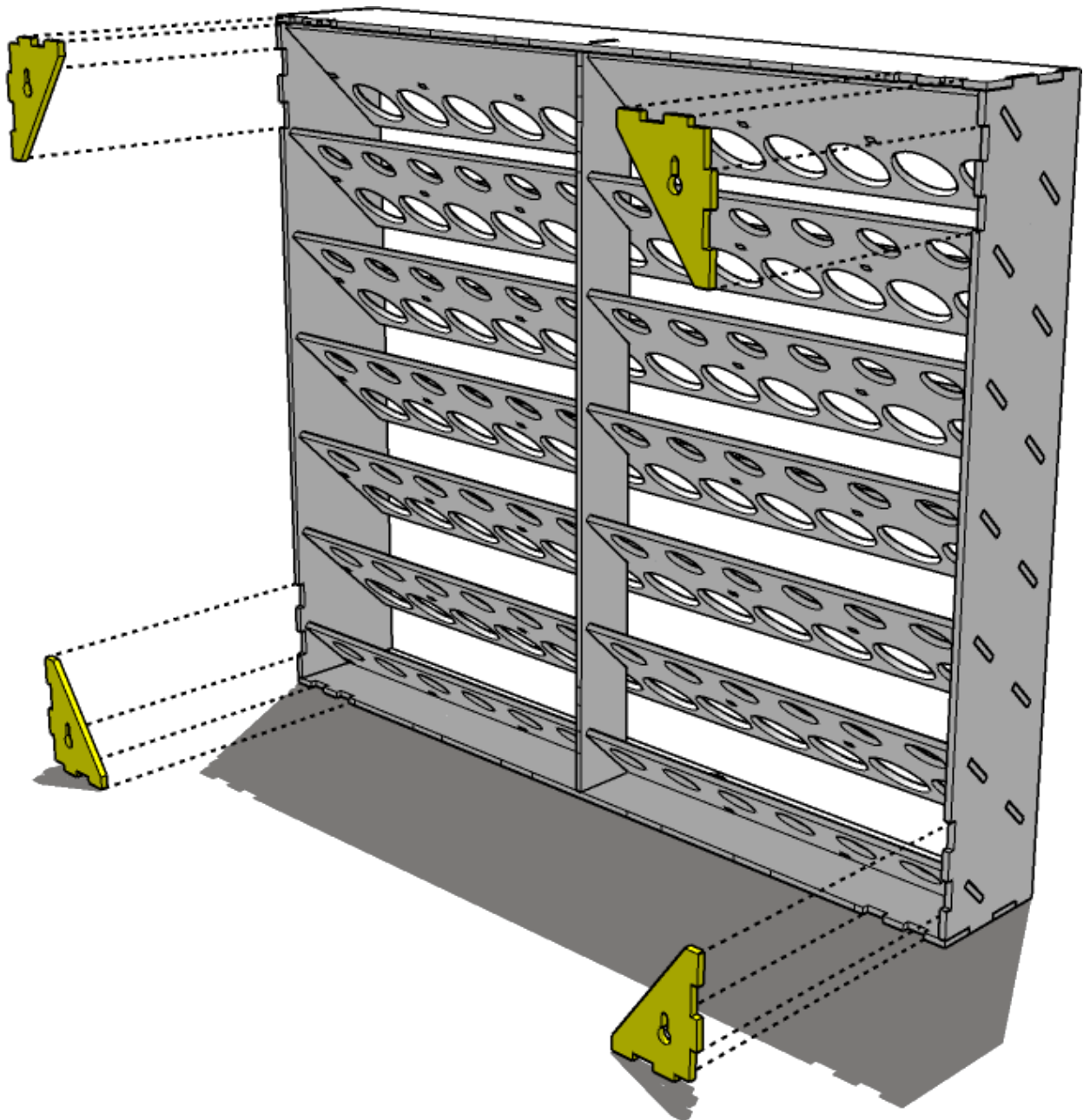




# TABLETOP SCENICS

TTSCW-HBA-O45  
TTCombat & Vallejo  
Paint Rack 72

16



Match the positioning of the highlighted parts



 **TTCOMBAT**

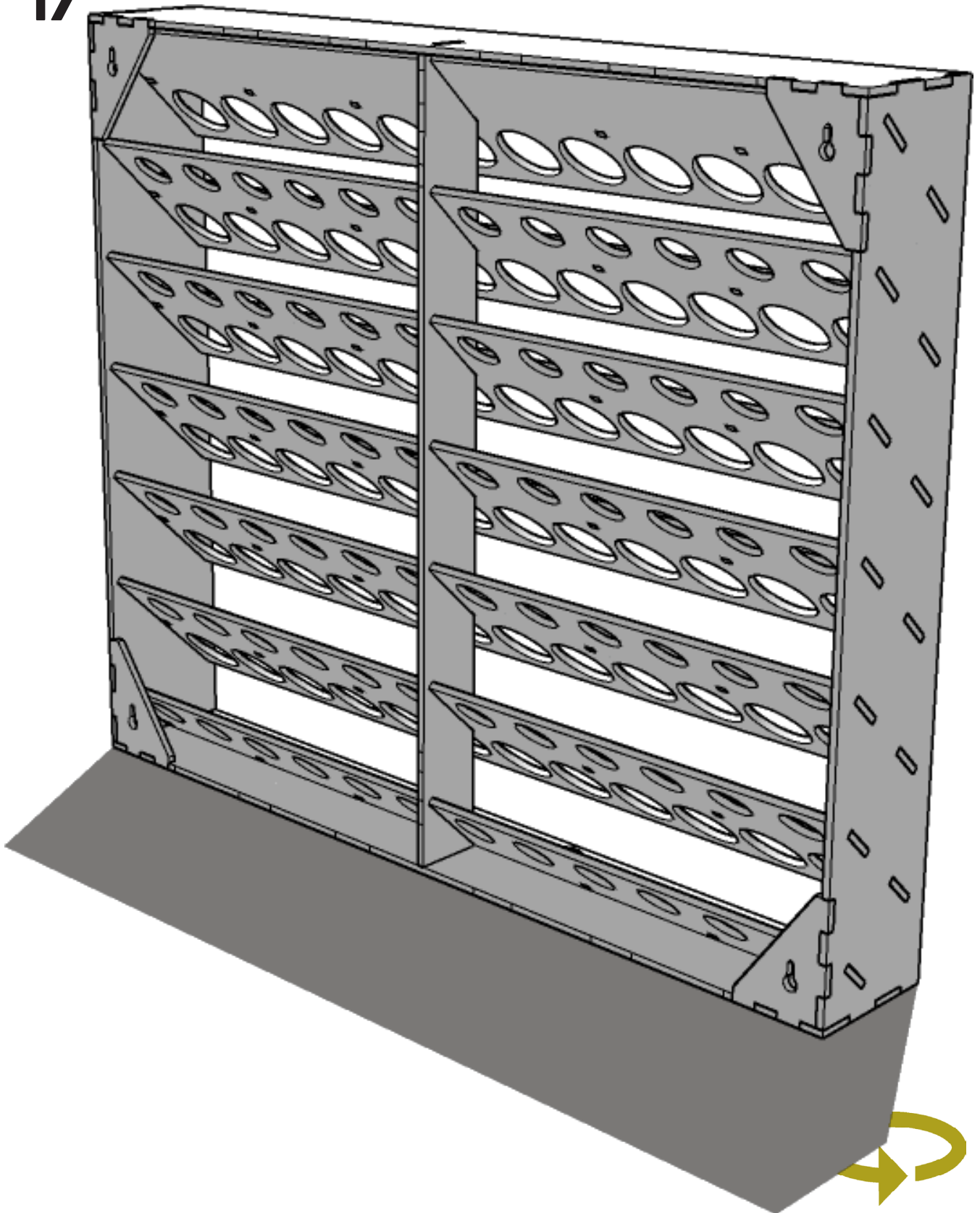




# TABLETOP SCENICS

TTSCW-HBA-045  
TTCombat & Vallejo  
Paint Rack 72

17

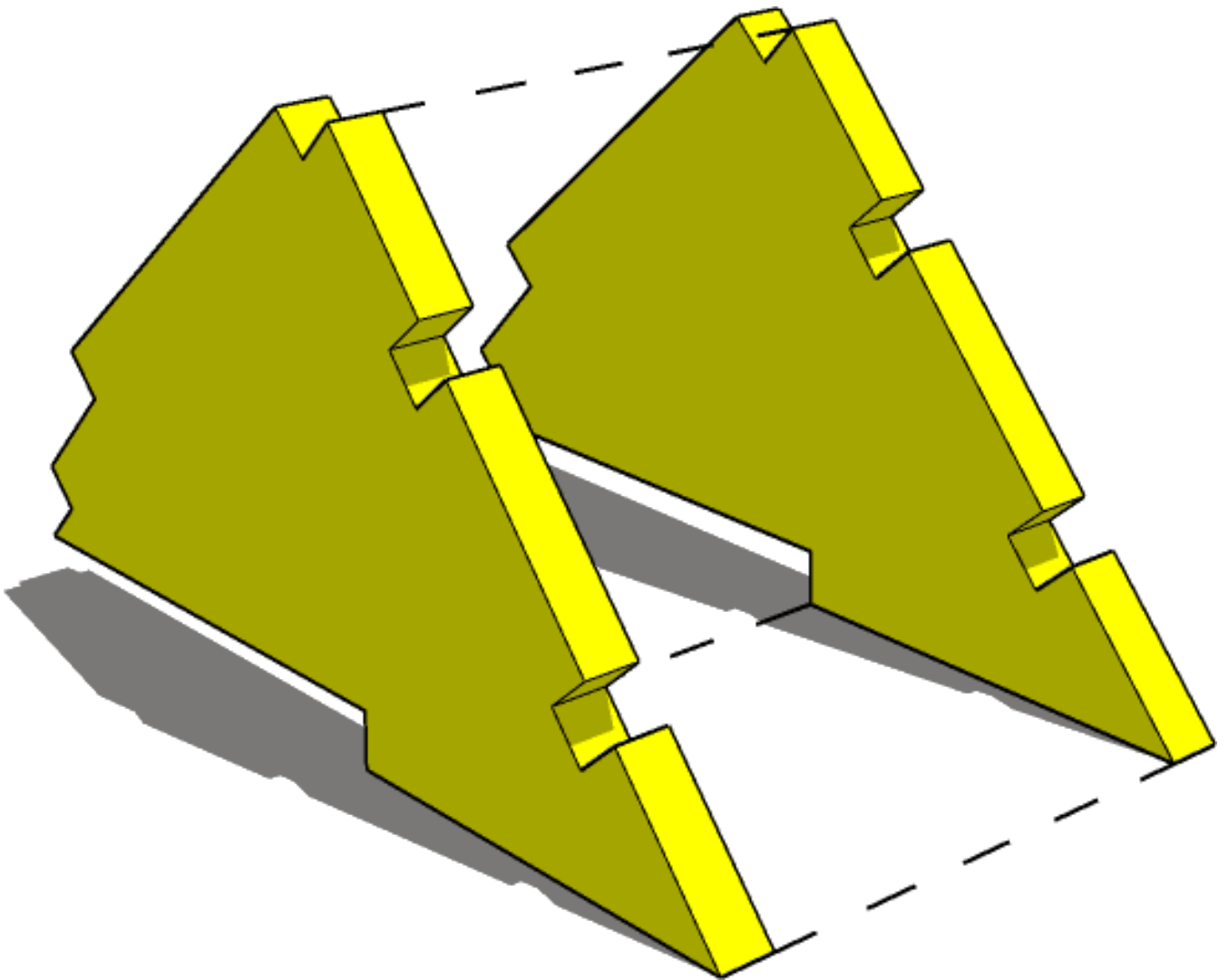




# TABLETOP SCENICS

TTSCW-HBA-O45  
TTCombat & Vallejo  
Paint Rack 72

18

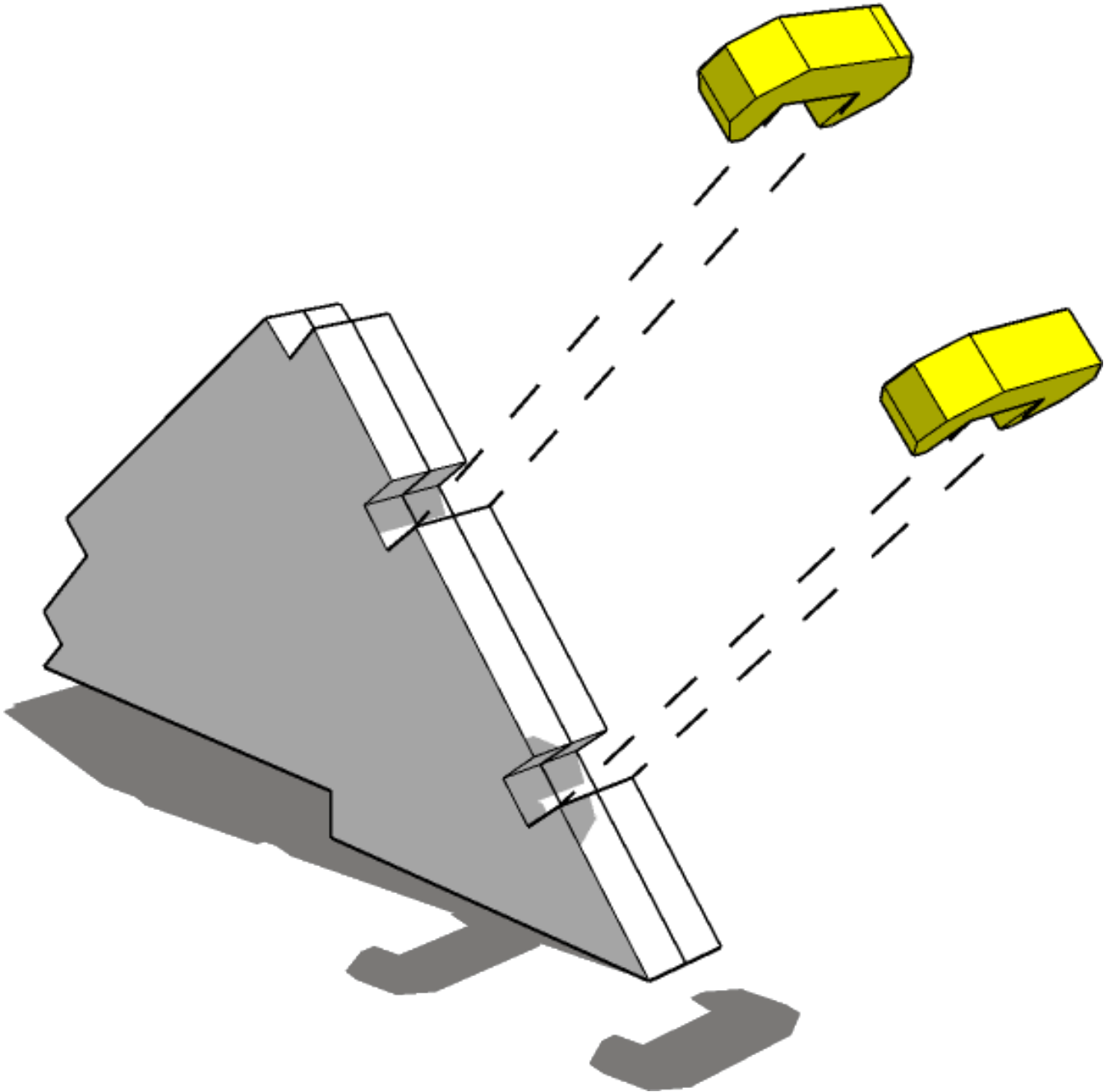




# TABLETOP SCENICS

TTSCW-HBA-O45  
TTCombat & Vallejo  
Paint Rack 72

19

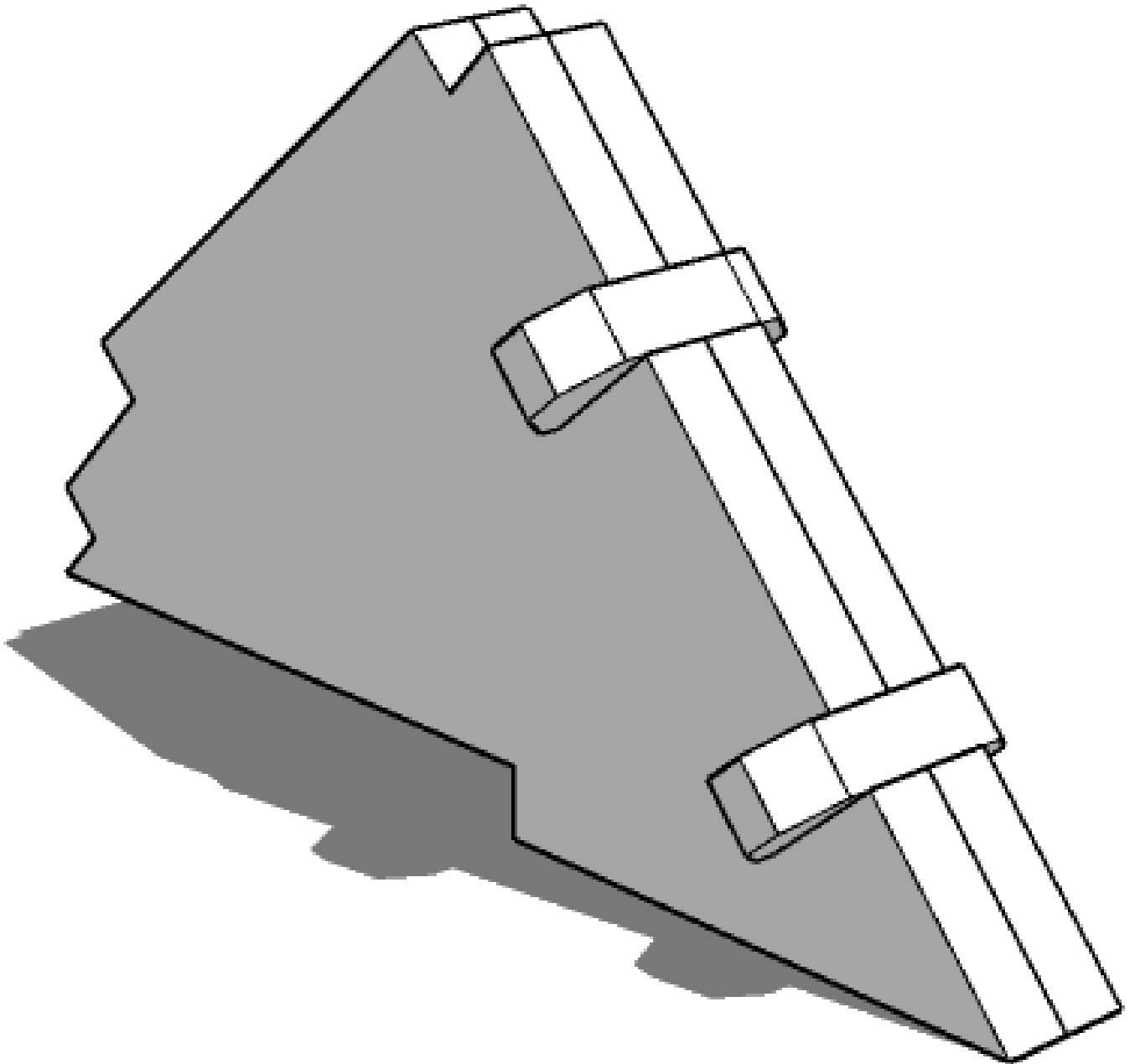




# TABLETOP SCENICS

TTSCW-HBA-045  
TTCombat & Vallejo  
Paint Rack 72

20



x2



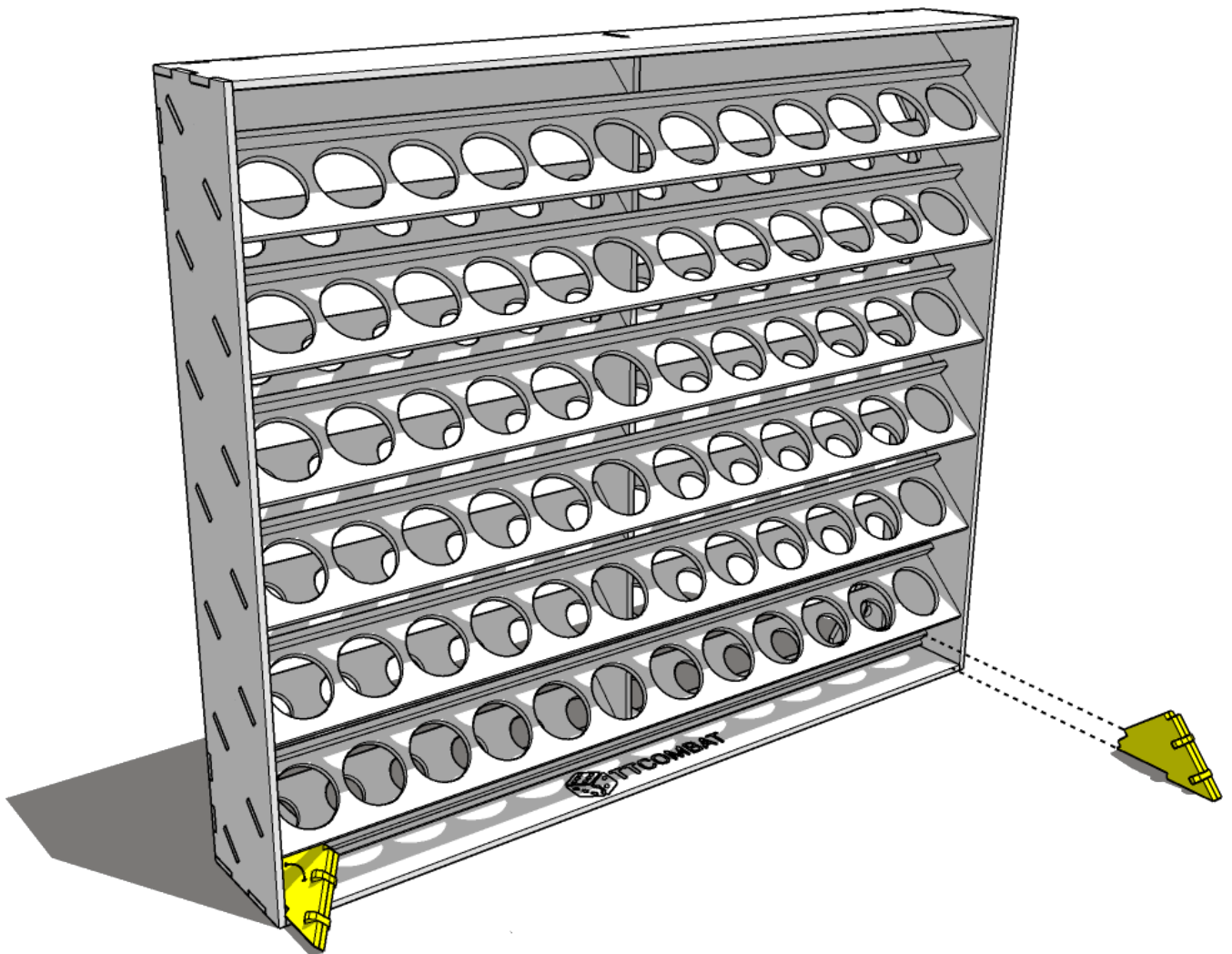
TTCOMBAT



# TABLETOP SCENICS

**TTSCW-HBA-O45**  
**TTCCombat & Vallejo**  
**Paint Rack 72**

**21**



Feet stands are optional but do provide extra support and can be twisted into place to lock in. Glue still recommended



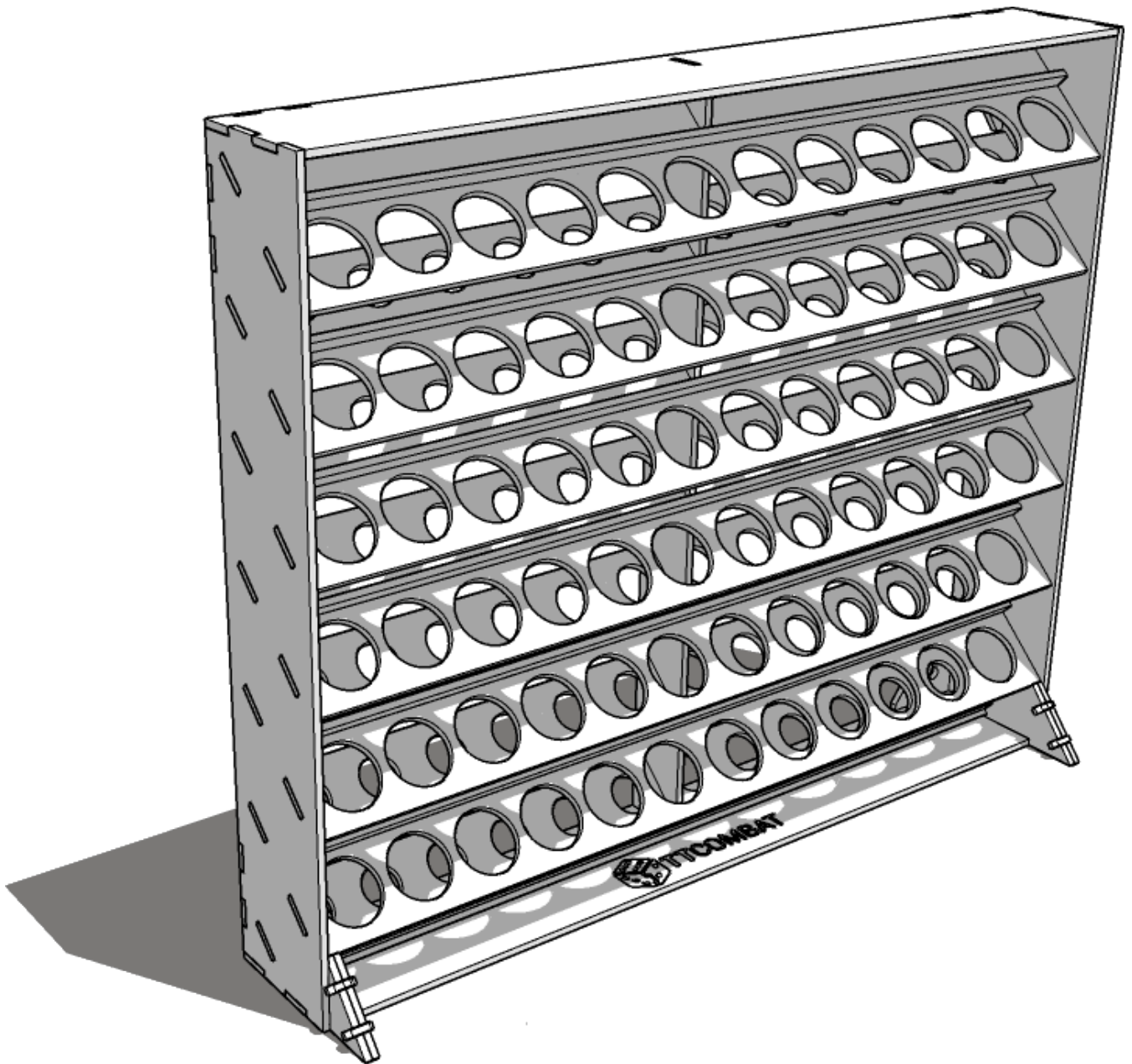
 **TTCOMBAT**



# TABLETOP SCENICS

**TTSCW-HBA-O45**  
**TTCombat & Vallejo**  
**Paint Rack 72**

**22**



 **TTCOMBAT**