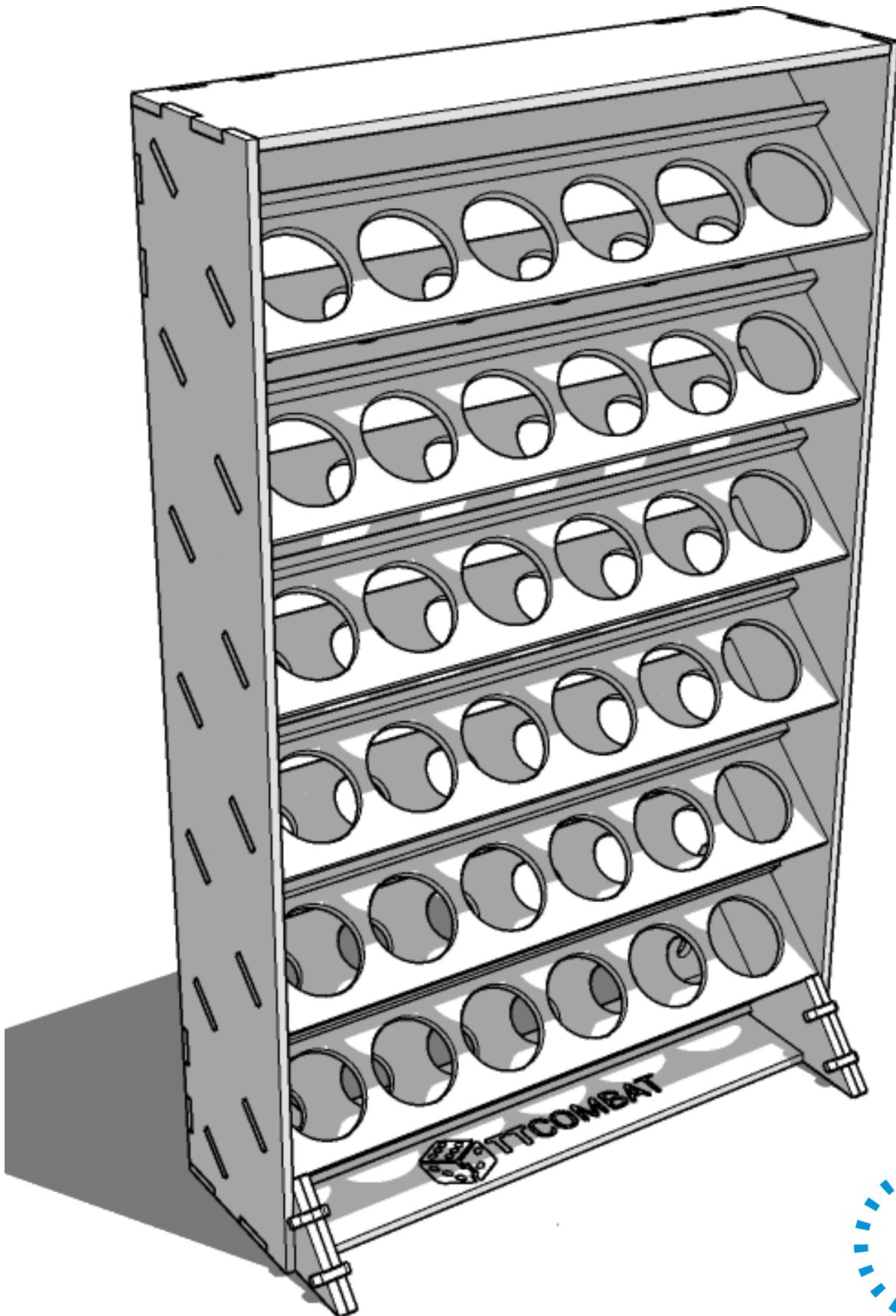




**TABLETOP  
SCENICS**

**TTSCW-HBA-O44  
TTCombat & Vallejo  
Paint Rack 36**



 **TTCOMBAT**



# TABLETOP SCENICS

**TTSCW-HBA-O44**  
**TTCCombat & Vallejo**  
**Paint Rack 36**

**2**

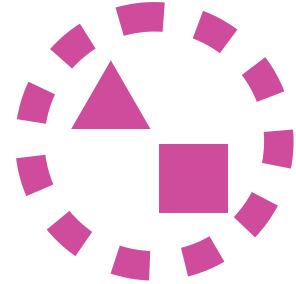
These are a series of icons that may be used throughout the instructions to help your assembly:



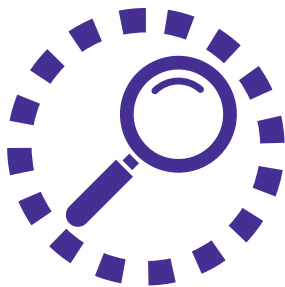
Do not glue this part



Carefully score and  
fold this part



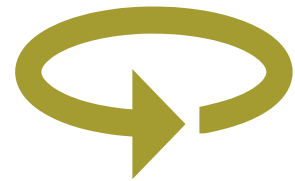
This part - or its placement is  
completely optional



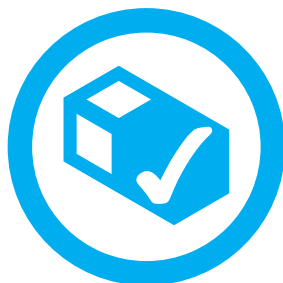
Look closely at this step  
- its process order or part  
used may be specific



Repeat making this part  
the specified number  
of times



The next instruction step  
will be the same assembly  
so far, but from a different  
angle



Sub-assembly complete.  
This smaller construction  
is ready to add to the  
main kit



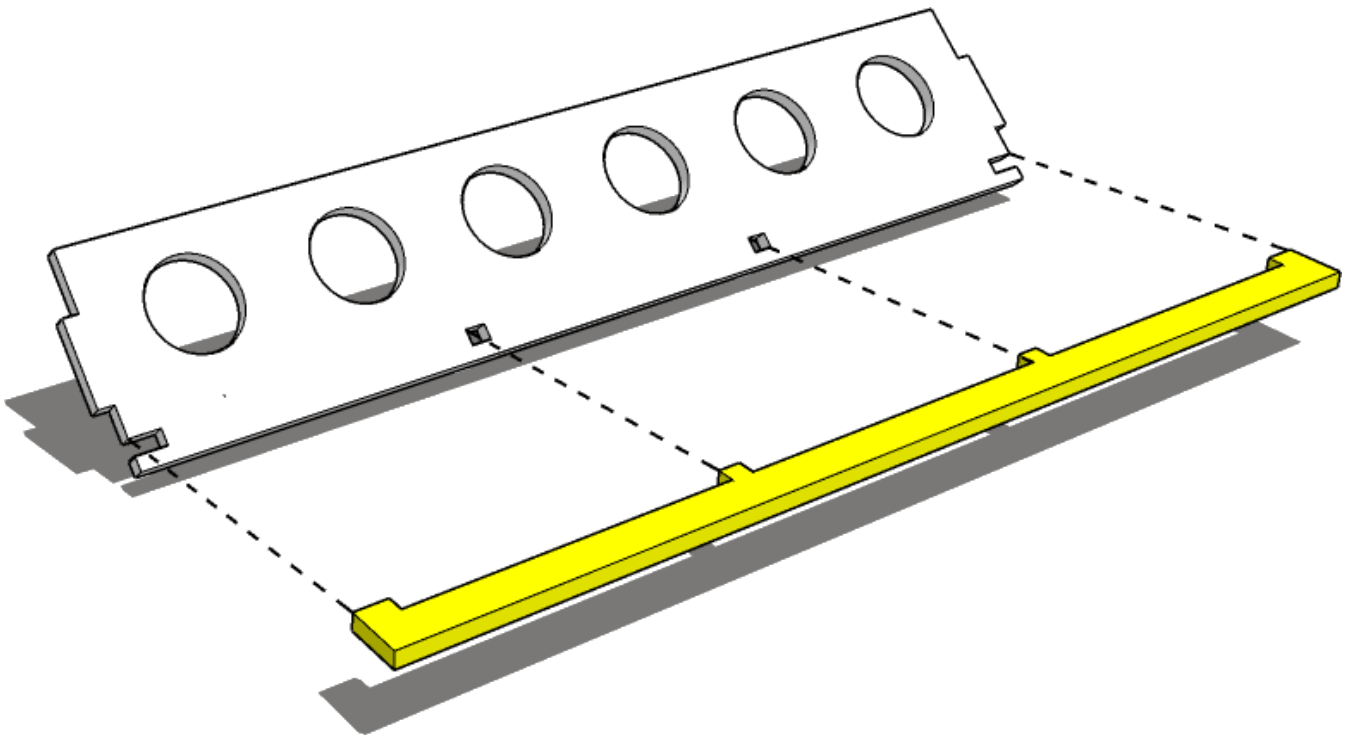
Assembly Complete! There  
could be more optional  
parts - check to the very end  
of instructions



# TABLETOP SCENICS

TTSCW-HBA-O44  
TTCombat & Vallejo  
Paint Rack 36

3

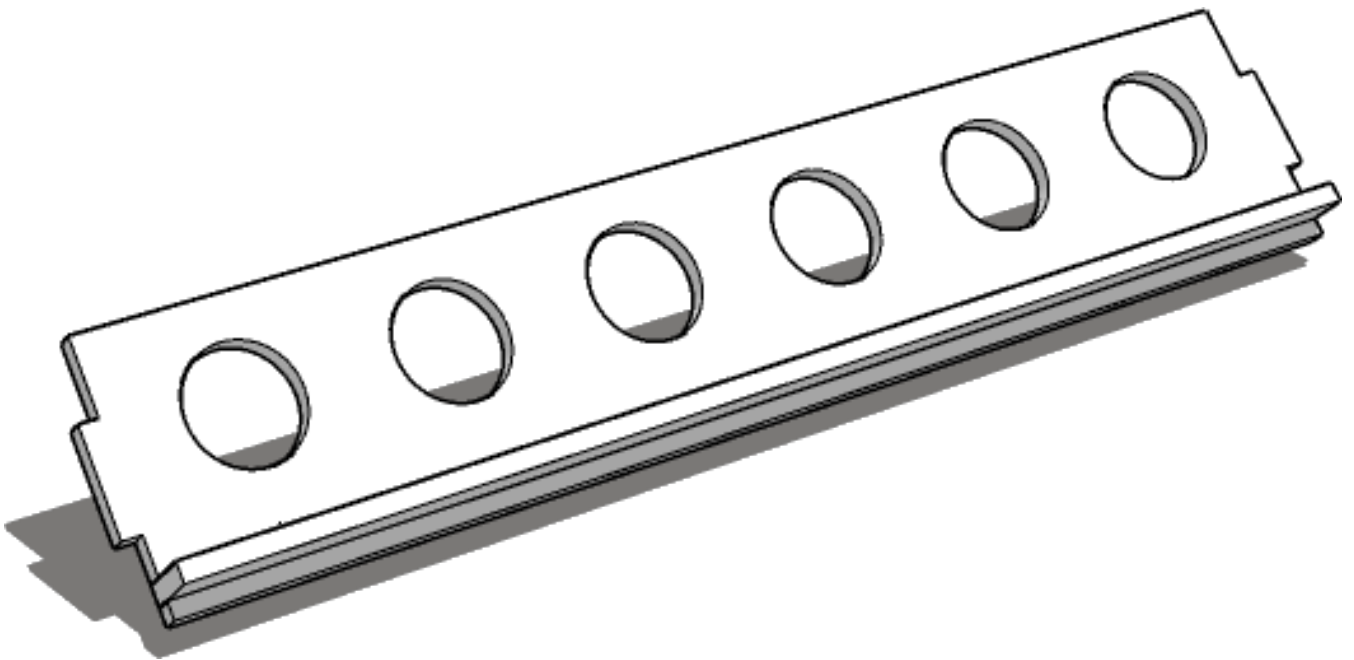




# TABLETOP SCENICS

TTSCW-HBA-O44  
TTCombat & Vallejo  
Paint Rack 36

4

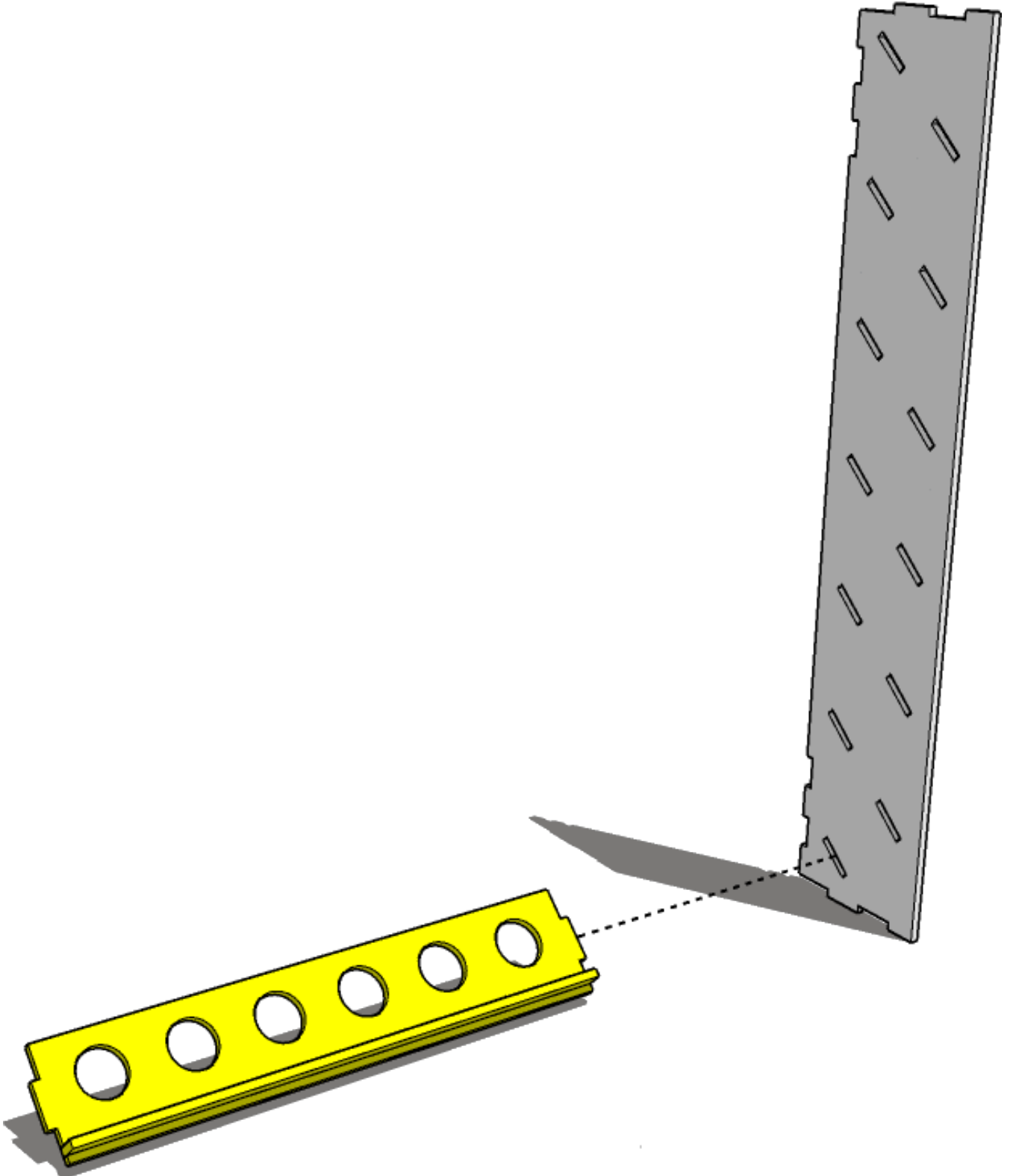




# TABLETOP SCENICS

TTSCW-HBA-O44  
TTCombat & Vallejo  
Paint Rack 36

5

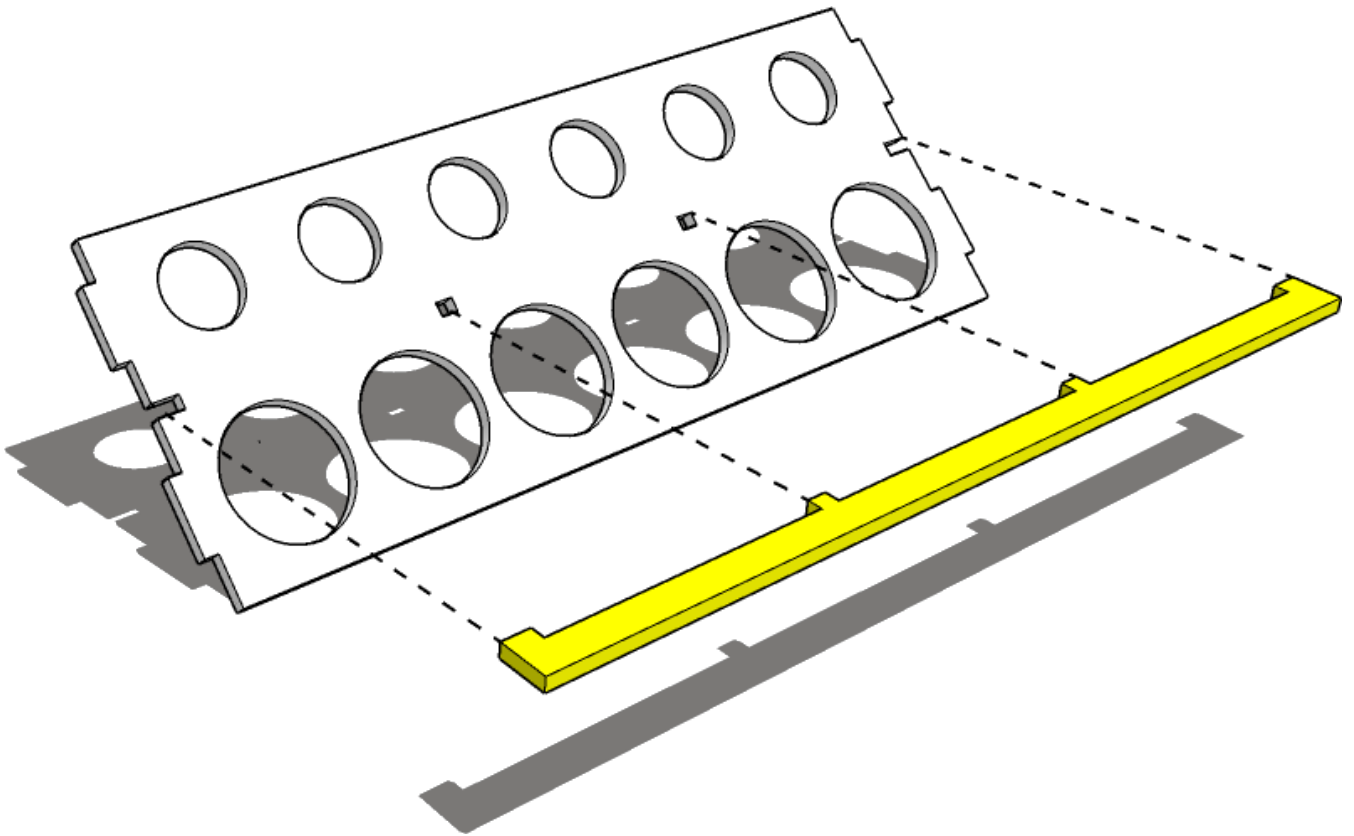




# TABLETOP SCENICS

TTSCW-HBA-O44  
TTCombat & Vallejo  
Paint Rack 36

6

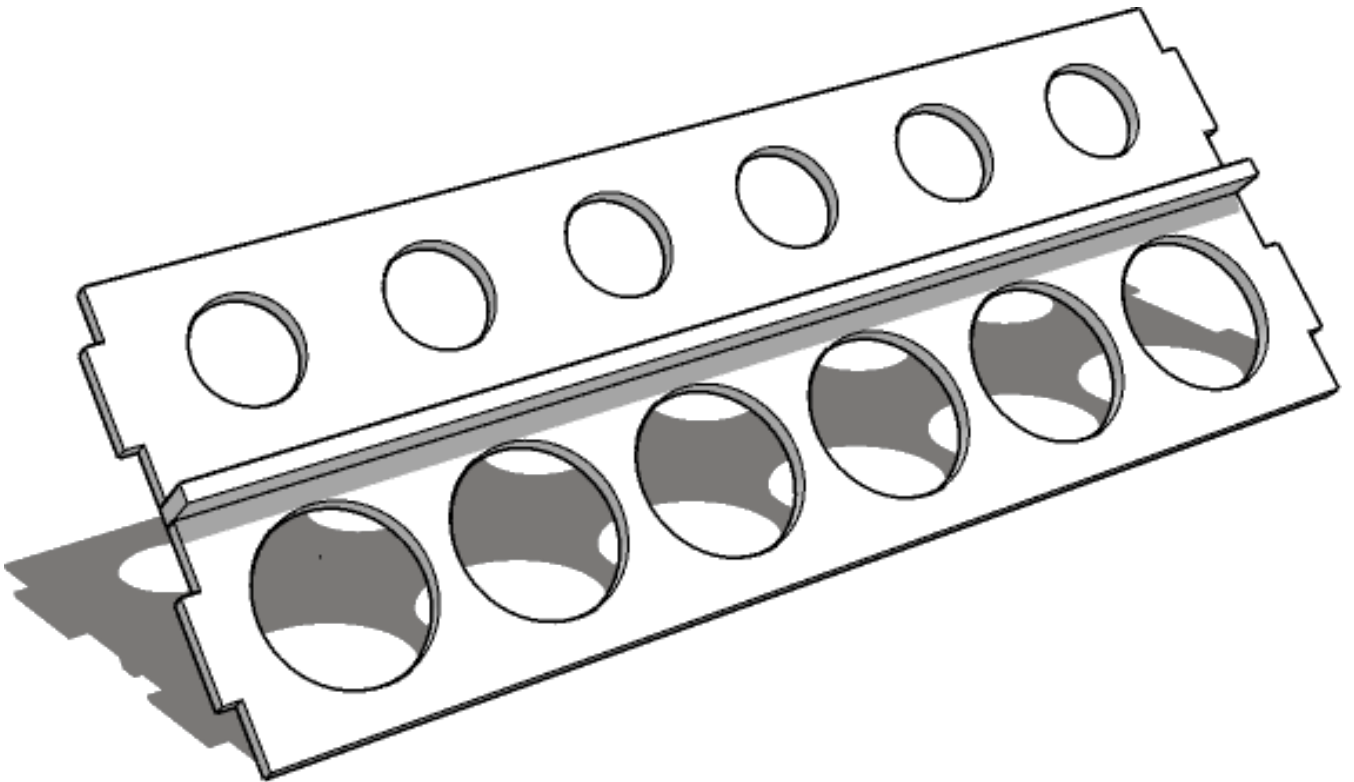




# TABLETOP SCENICS

TTSCW-HBA-O44  
TTCombat & Vallejo  
Paint Rack 36

7



x5

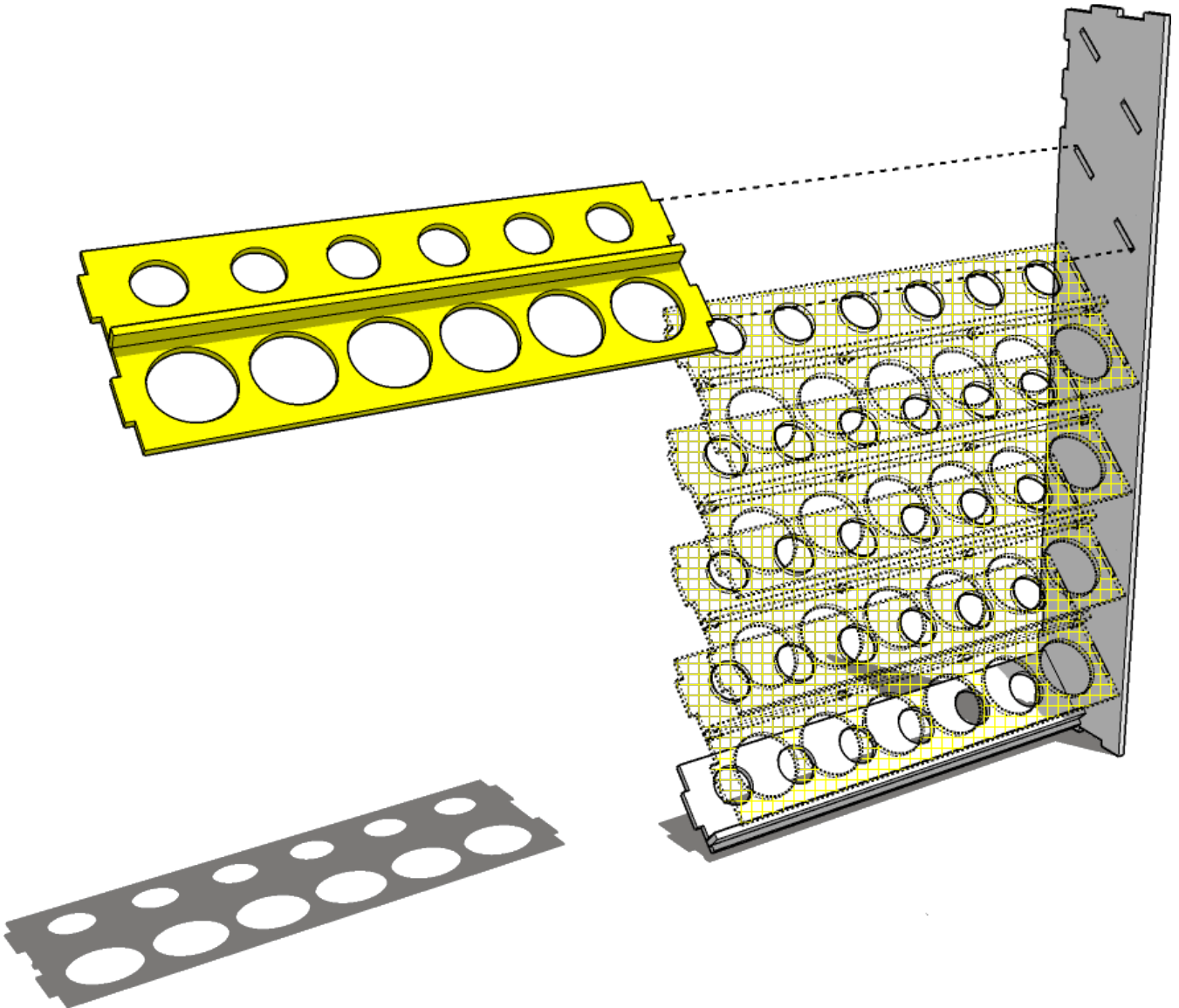




# TABLETOP SCENICS

TTSCW-HBA-O44  
TTCombat & Vallejo  
Paint Rack 36

8



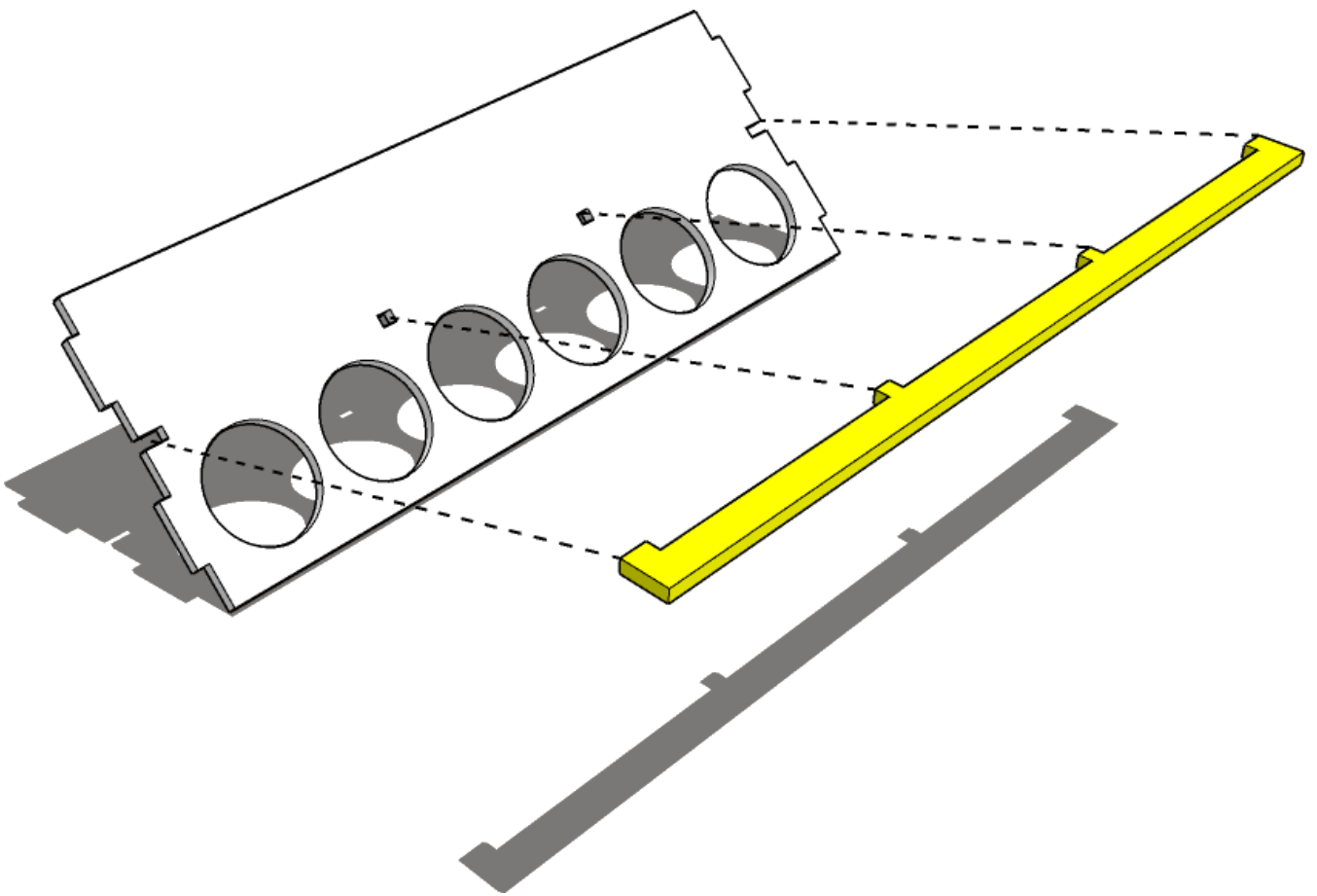




# TABLETOP SCENICS

TTSCW-HBA-O44  
TTCombat & Vallejo  
Paint Rack 36

9

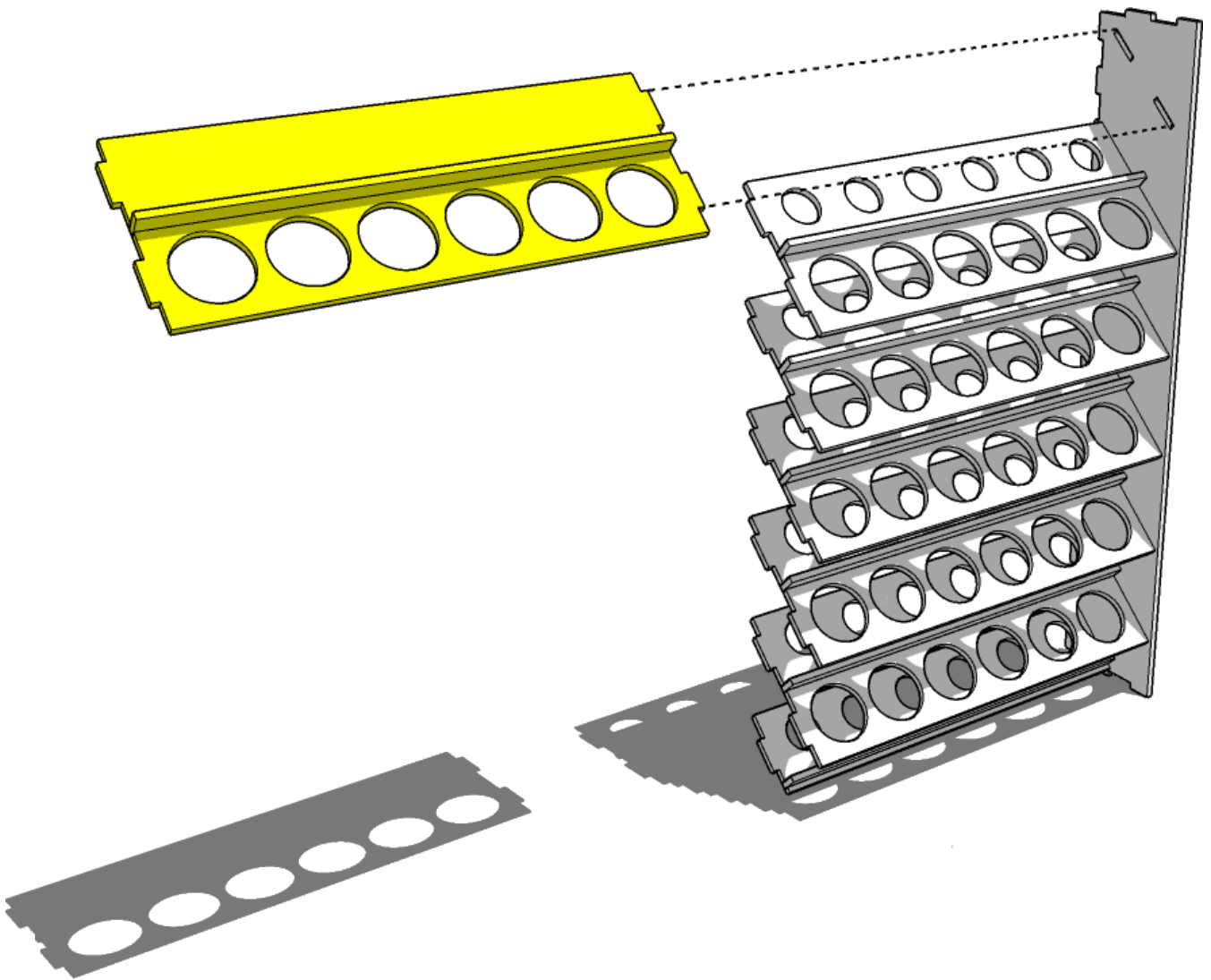




# TABLETOP SCENICS

TTSCW-HBA-O44  
TTCombat & Vallejo  
Paint Rack 36

10

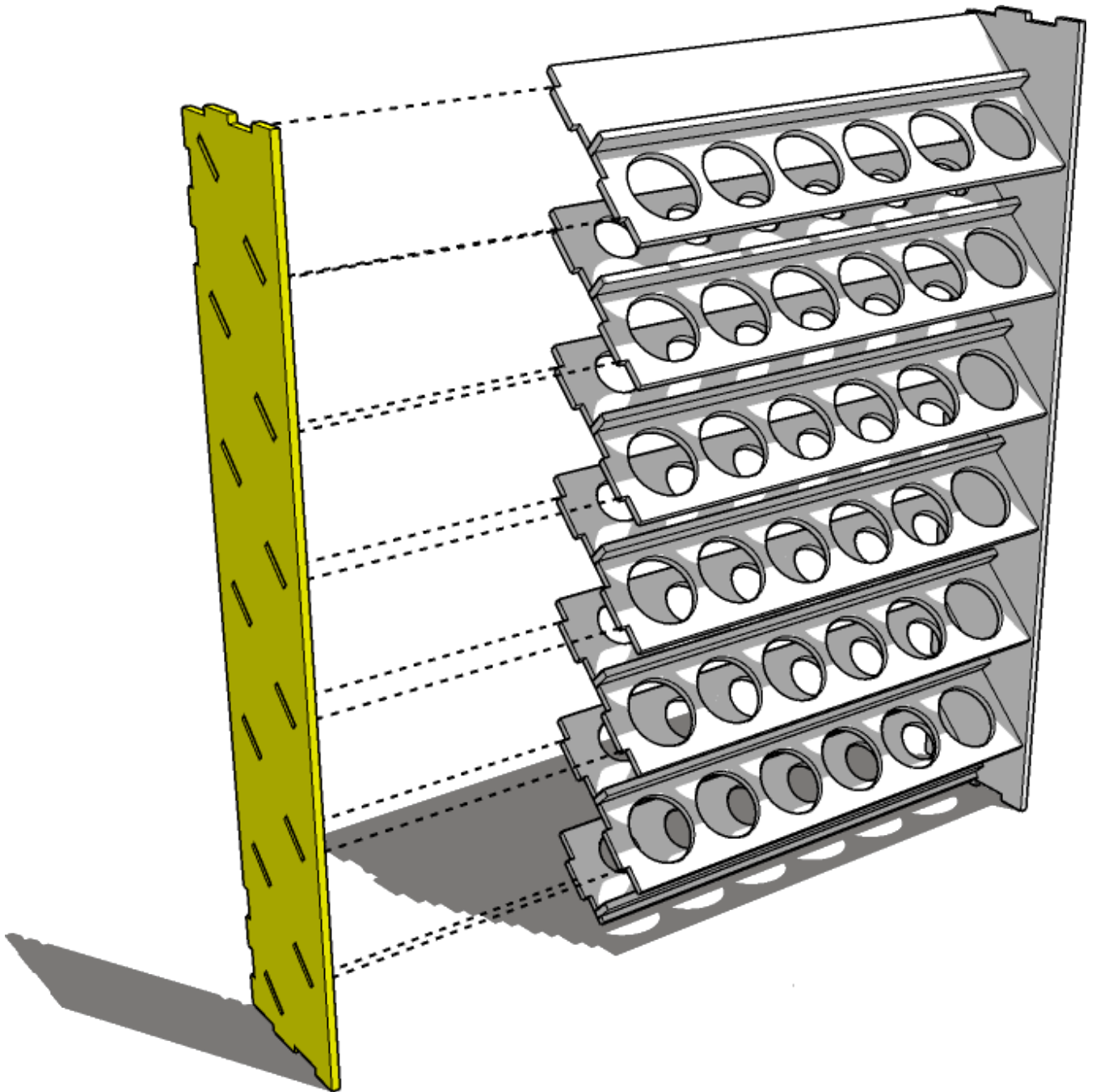




# TABLETOP SCENICS

TTSCW-HBA-O44  
TTCombat & Vallejo  
Paint Rack 36

11

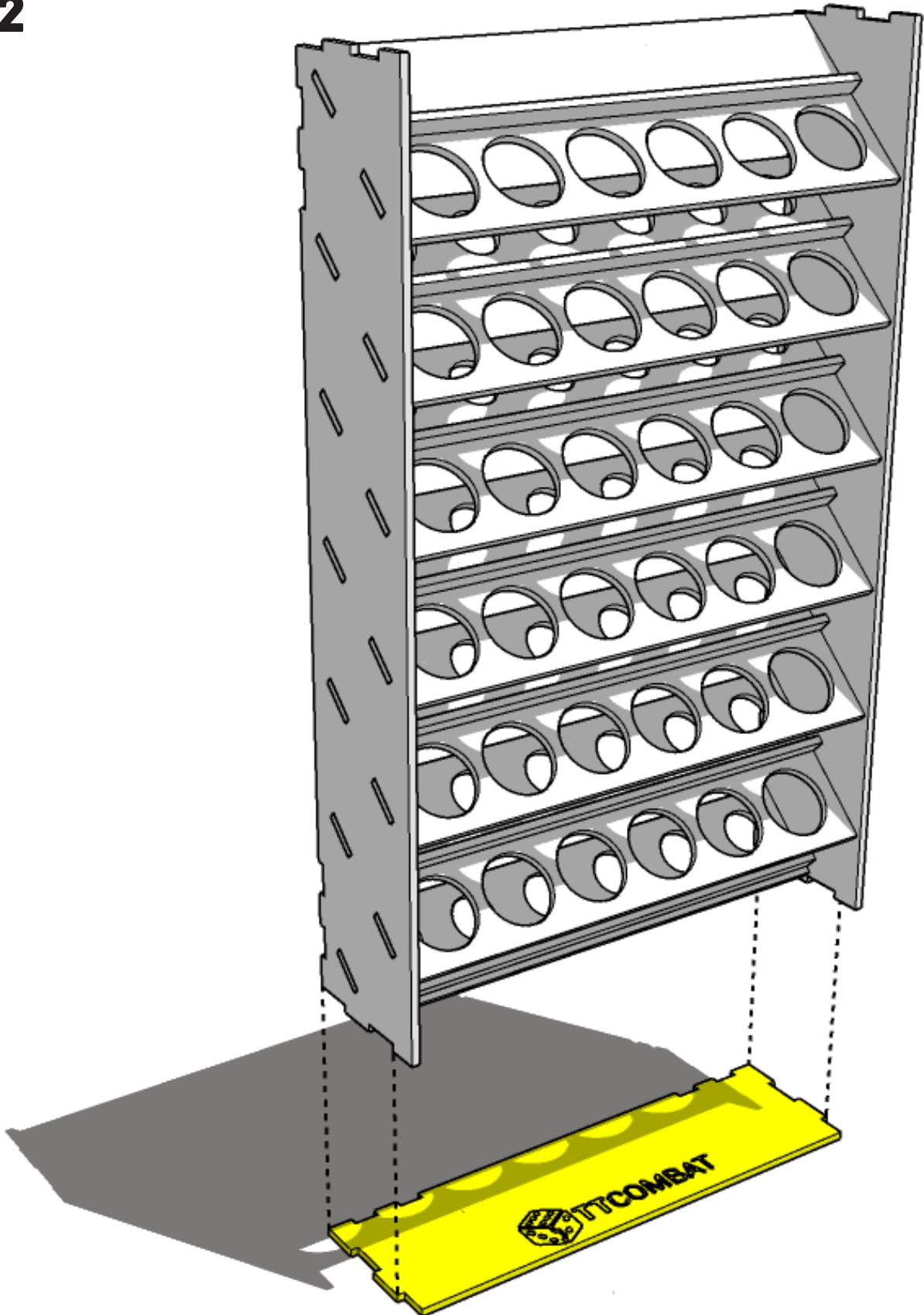




# TABLETOP SCENICS

TTSCW-HBA-O44  
TTCombat & Vallejo  
Paint Rack 36

12

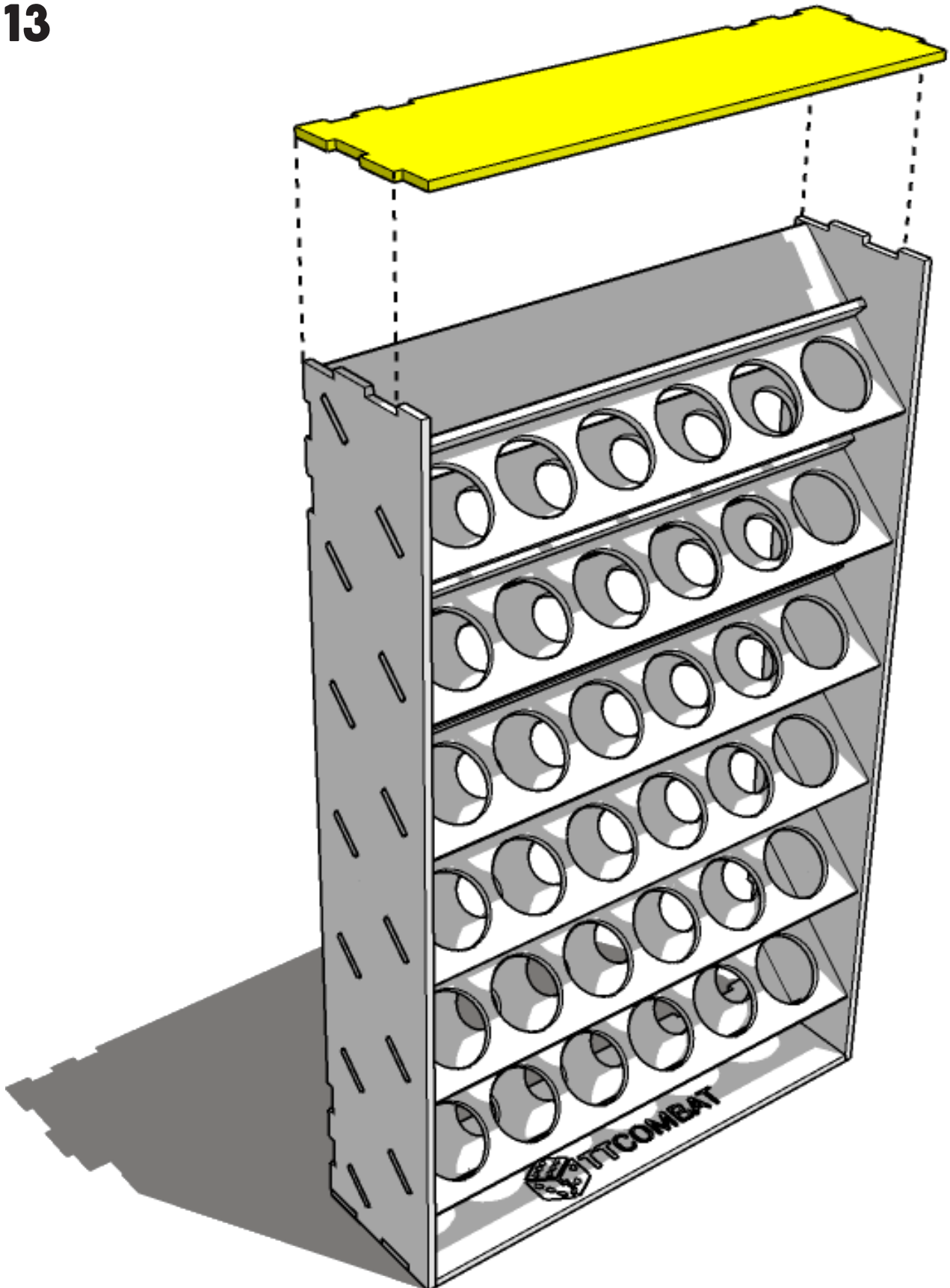




# TABLETOP SCENICS

TTSCW-HBA-O44  
TTCombat & Vallejo  
Paint Rack 36

13

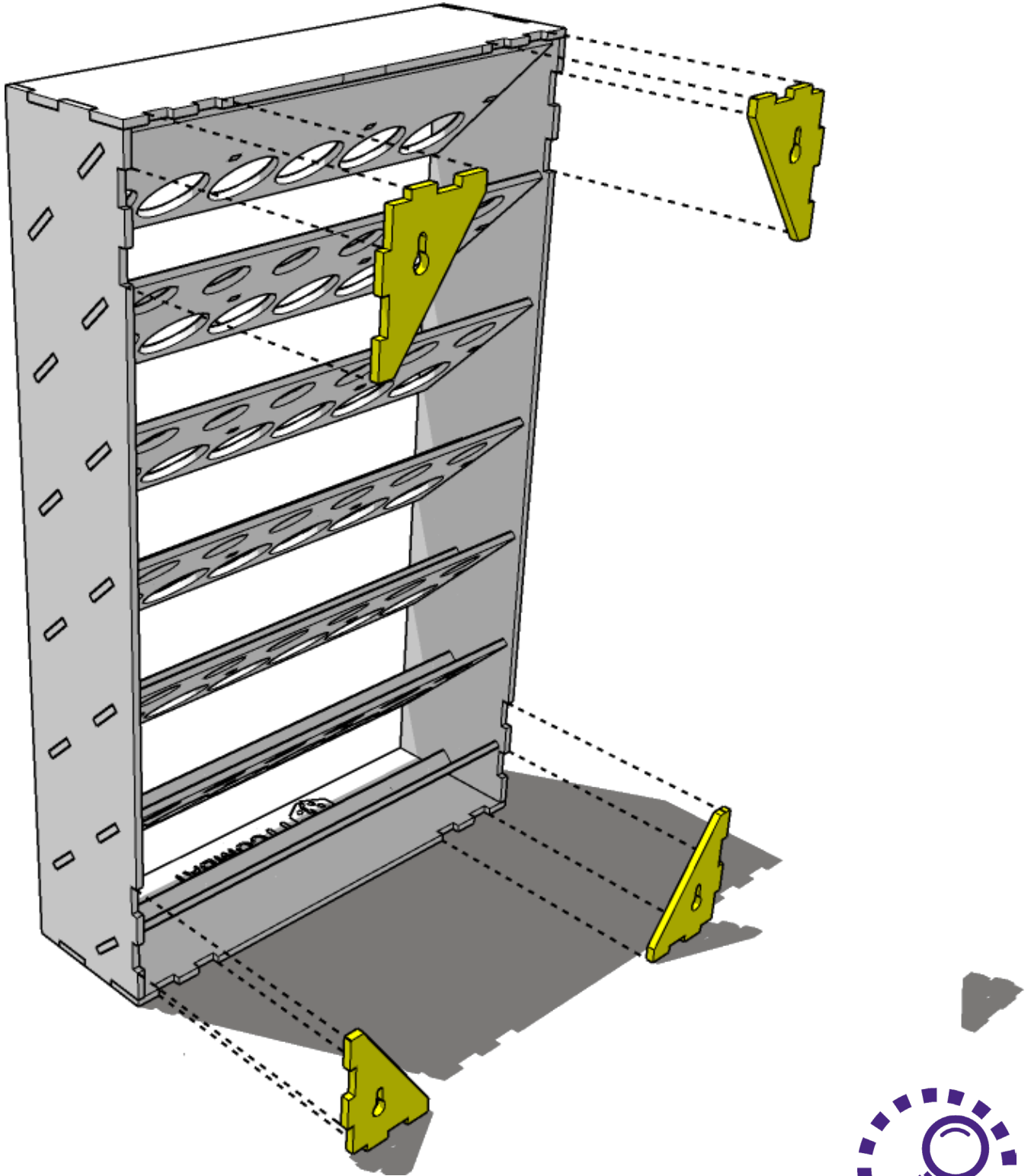




# TABLETOP SCENICS

TTSCW-HBA-O44  
TTCombat & Vallejo  
Paint Rack 36

14



Match the positioning of the highlighted parts



 **TTCOMBAT**

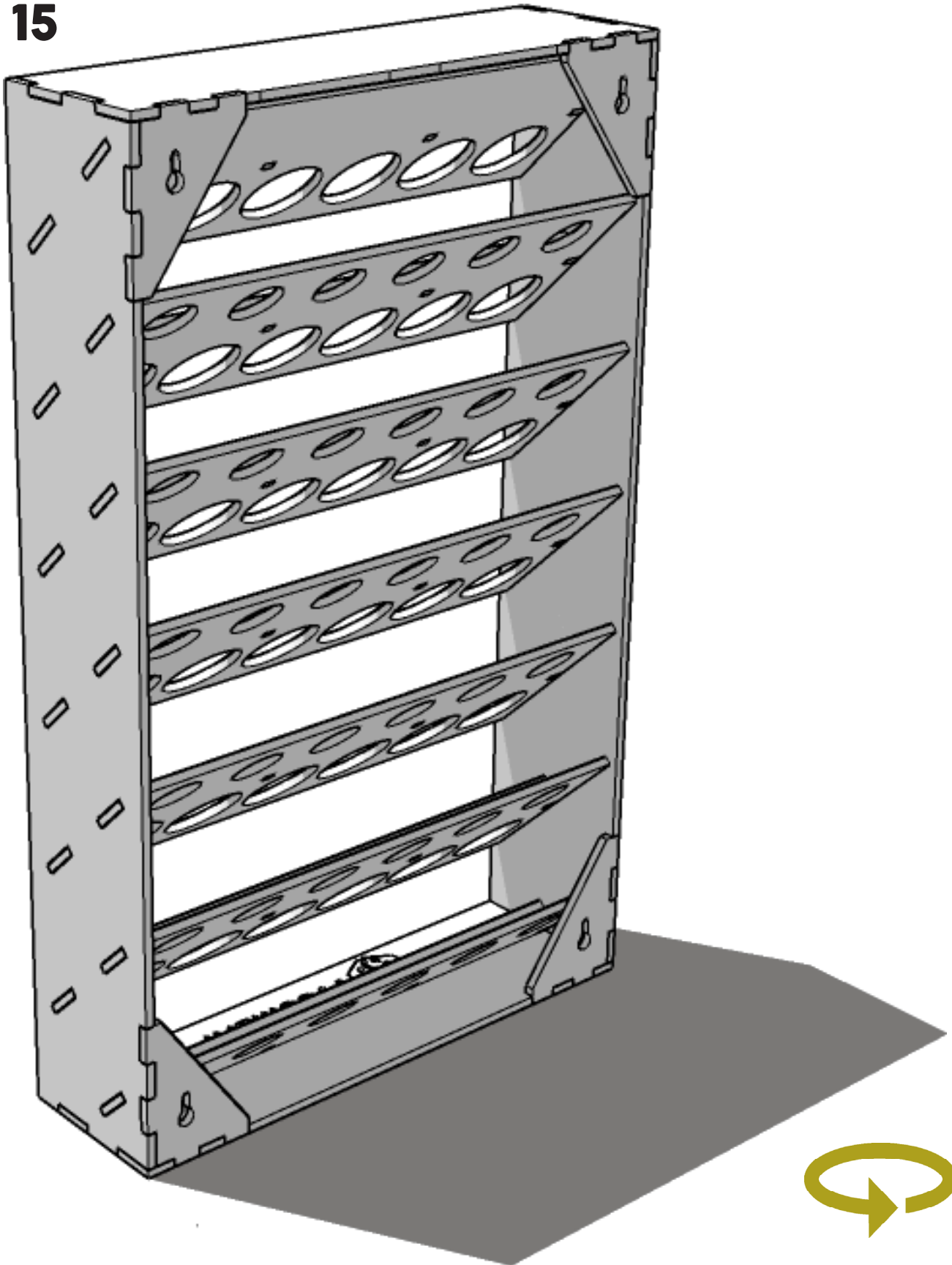




# TABLETOP SCENICS

TTSCW-HBA-O44  
TTCombat & Vallejo  
Paint Rack 36

15

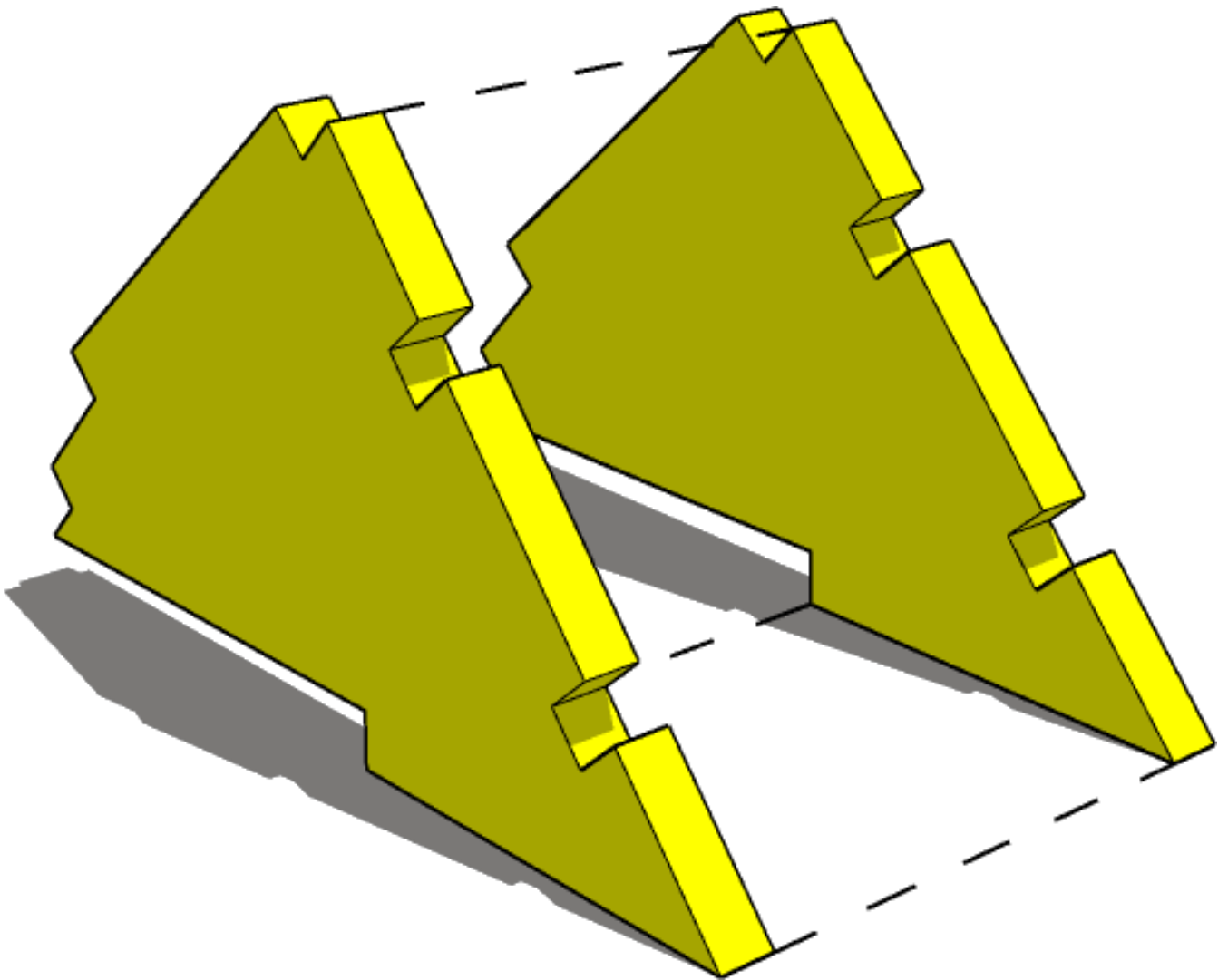




# TABLETOP SCENICS

TTSCW-HBA-O44  
TTCombat & Vallejo  
Paint Rack 36

16



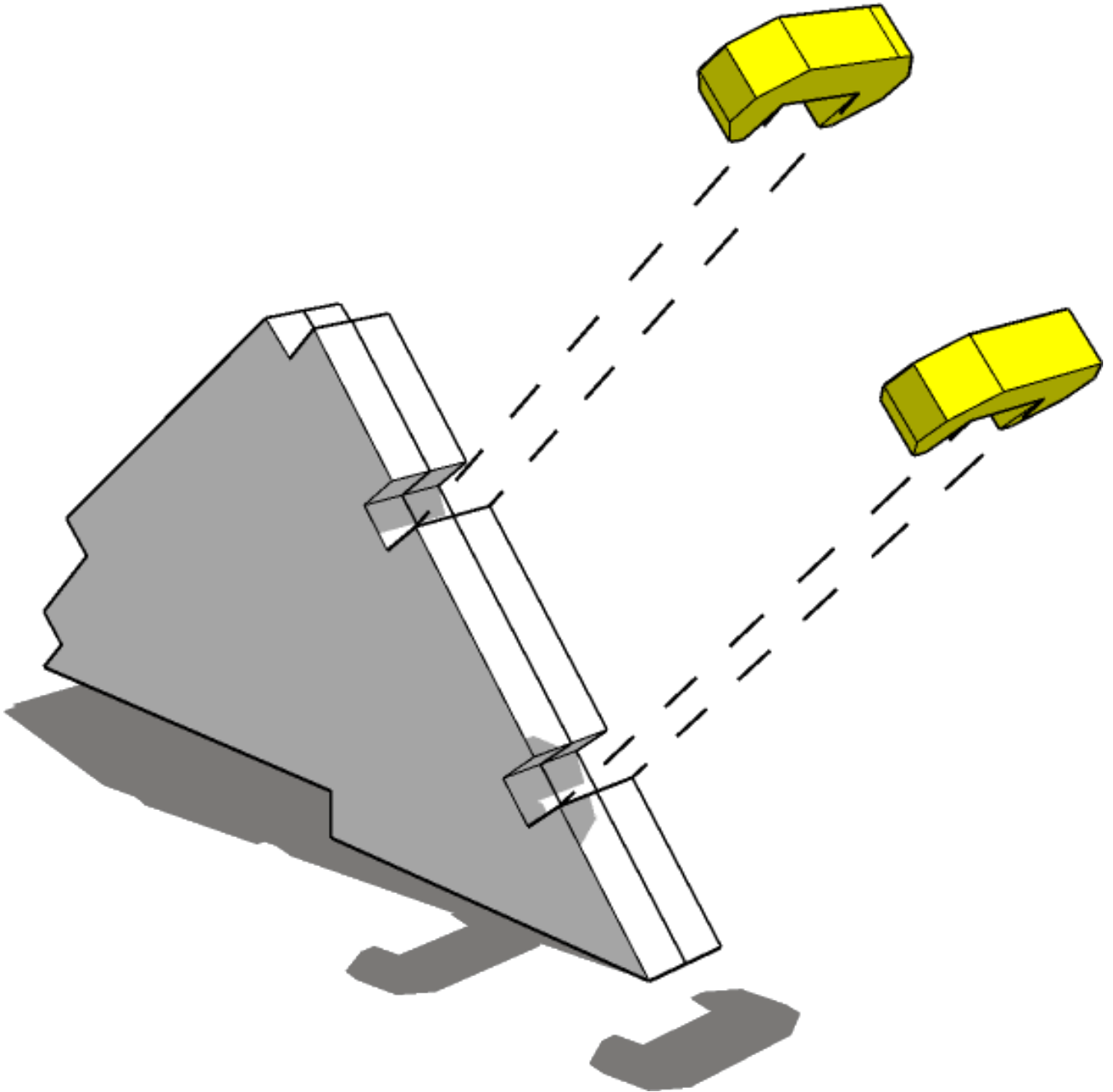




# TABLETOP SCENICS

TTSCW-HBA-O44  
TTCombat & Vallejo  
Paint Rack 36

17

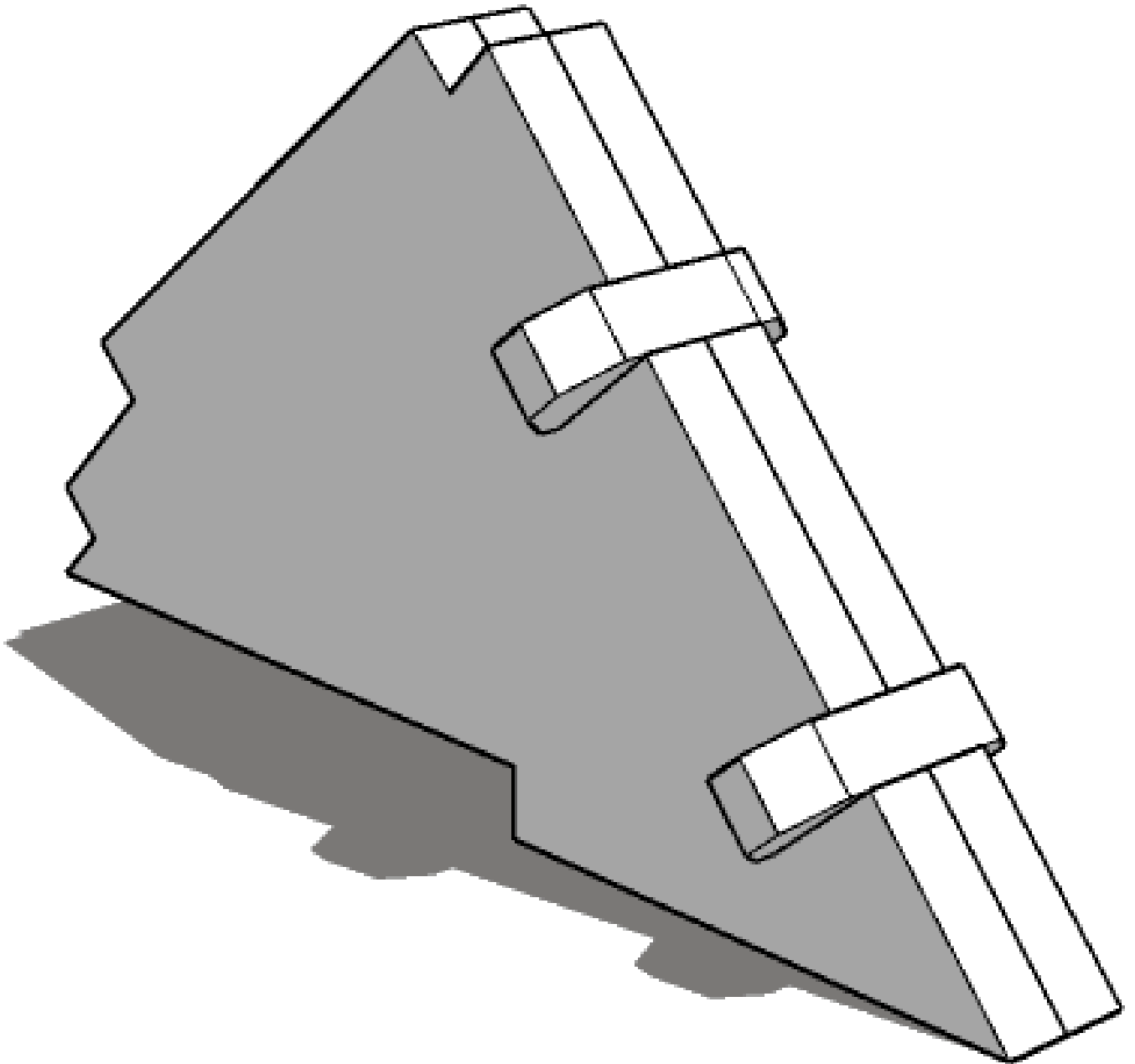




# TABLETOP SCENICS

TTSCW-HBA-O44  
TTCombat & Vallejo  
Paint Rack 36

18



x2

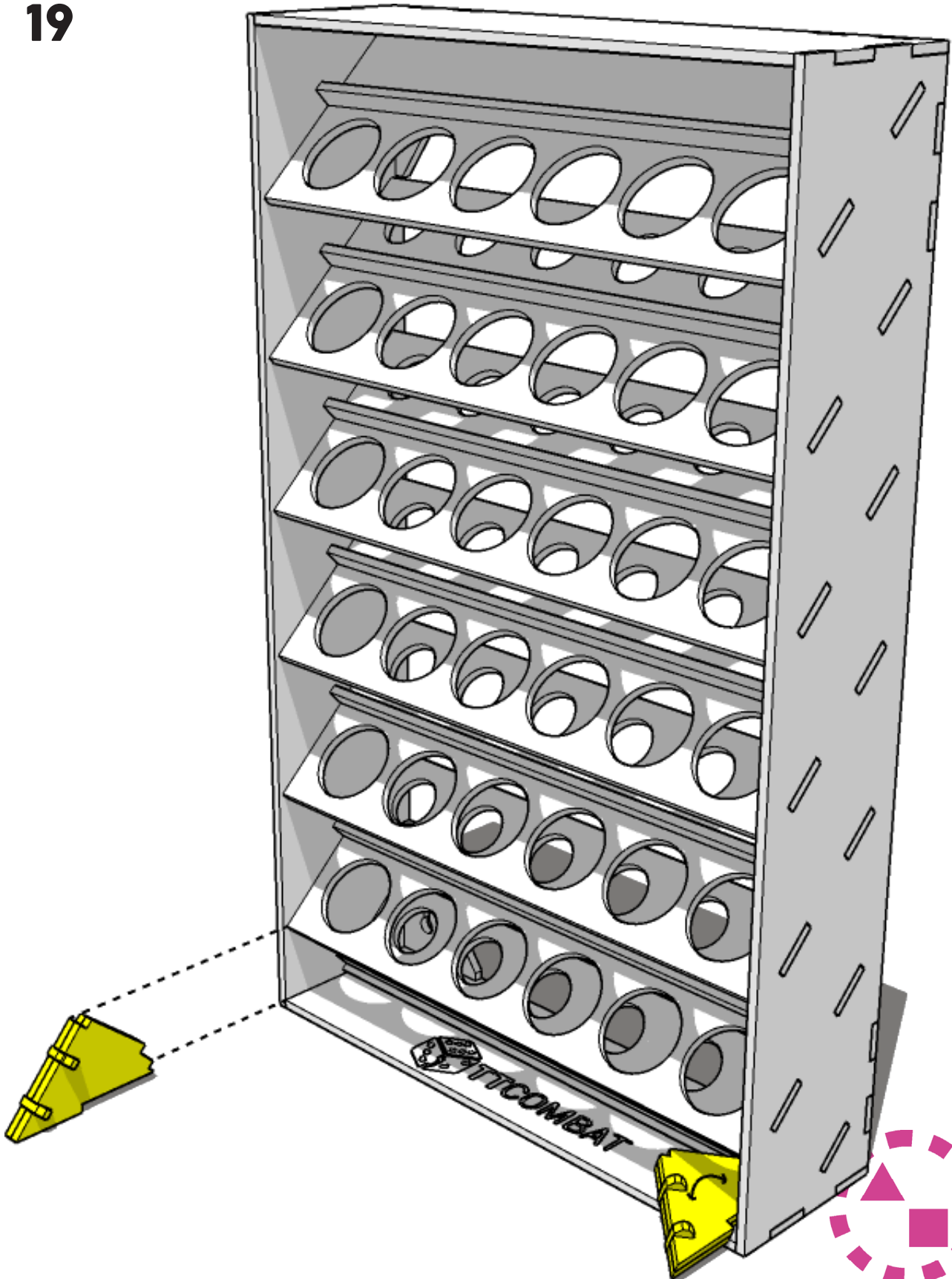




# TABLETOP SCENICS

TTSCW-HBA-O44  
TTCombat & Vallejo  
Paint Rack 36

19



Feet stands are optional but do provide extra support and can be twisted into place to lock in. Glue still recommended

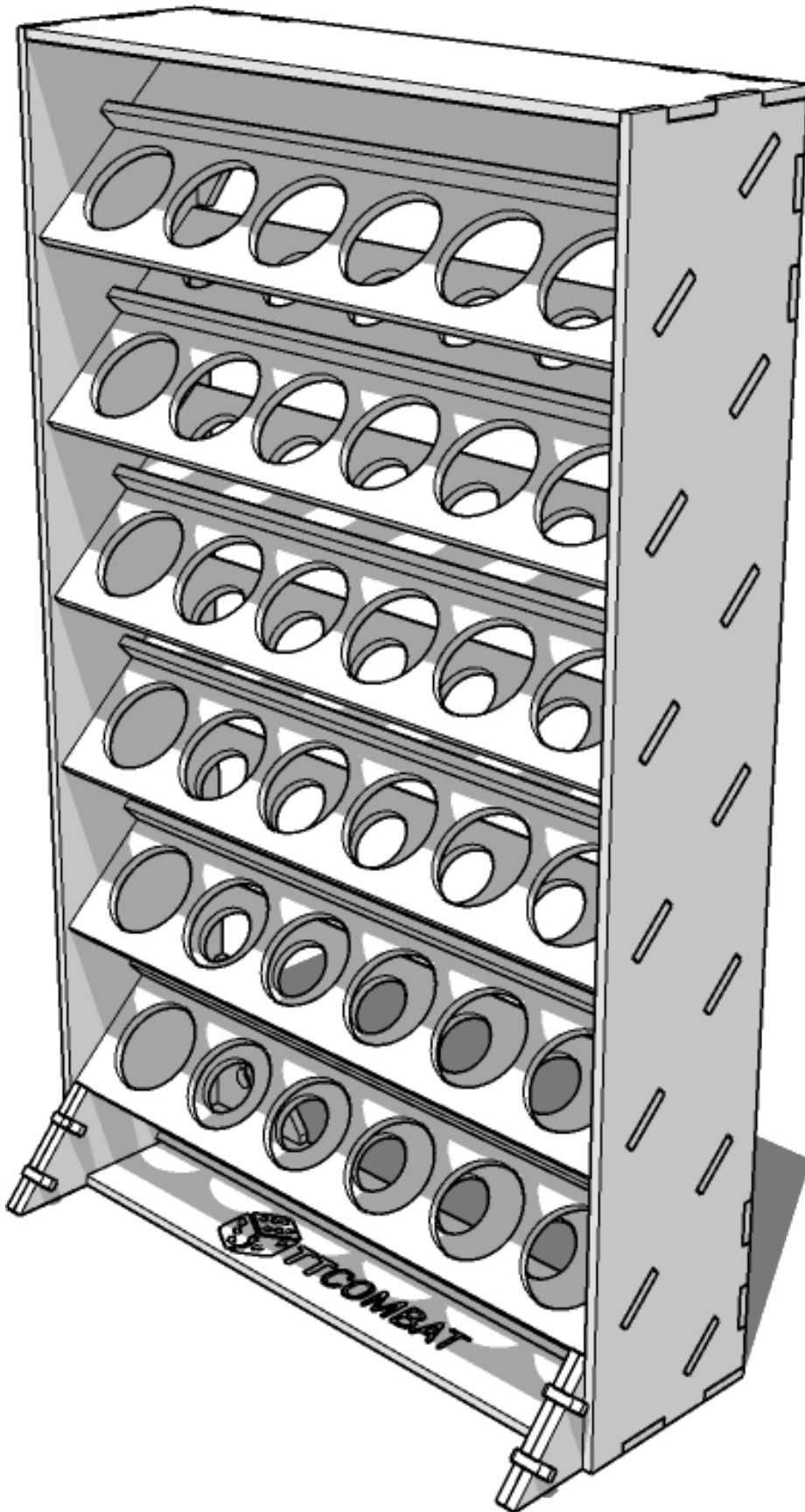




# TABLETOP SCENICS

TTSCW-HBA-O44  
TTCombat & Vallejo  
Paint Rack 36

20



 TTCOMBAT