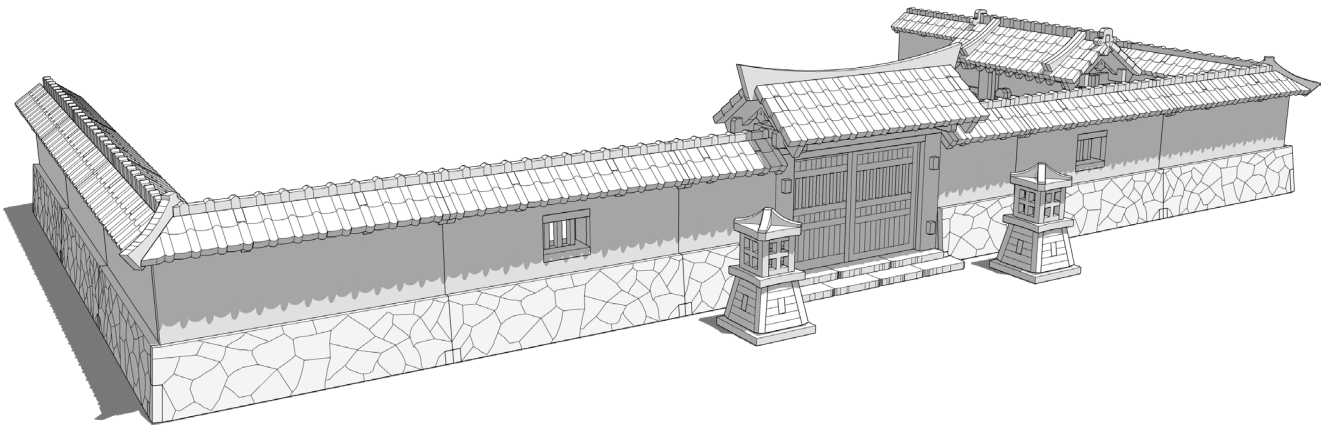




**TABLETOP
SCENICS**

**TTSCW-EES-100
Toshi:
Courtyard Walls**



TTCOMBAT



TABLETOP SCENICS

TTSCW-EES-100
Toshi:
Courtyard Walls

2

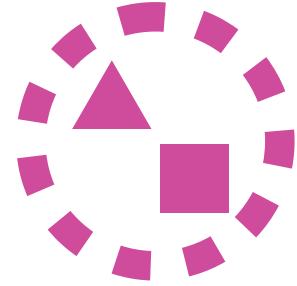
These are a series of icons that may be used throughout the instructions to help your assembly.
If in doubt, scroll ahead to confirm.



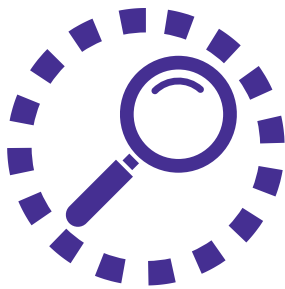
Do not glue this part



Carefully score and
fold this part



This part - or its placement is
completely optional



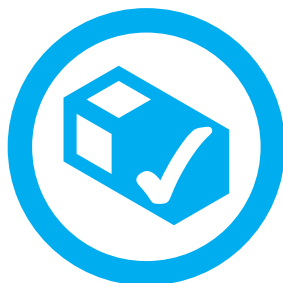
Look closely at this step
- its process order or part
used may be specific



Repeat making this part
the specified number
of times



The next instruction step
will be the same assembly
so far, but from a different
angle



Sub-assembly complete.
This smaller construction
is ready to add to the
main kit



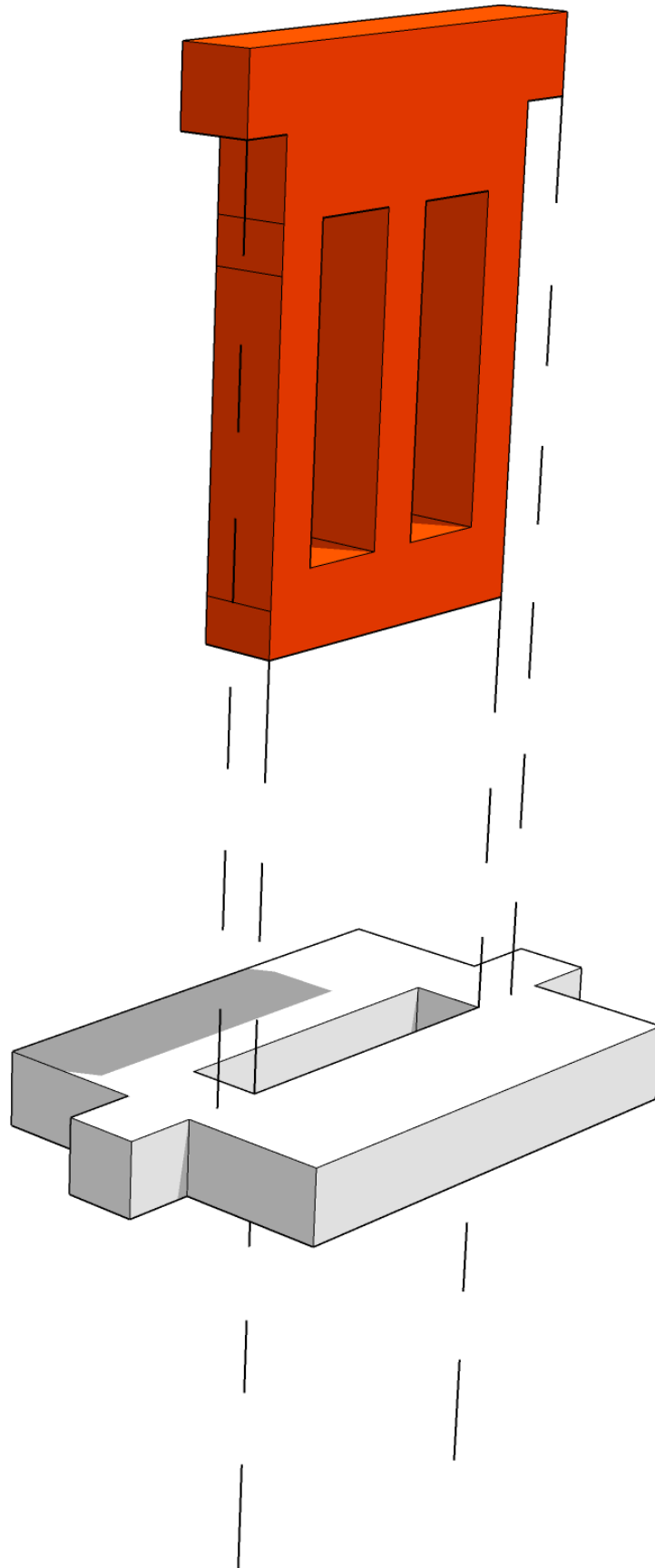
Assembly Complete! There
could be more optional
parts - check to the very end
of instructions



TABLETOP SCENICS

TTSCW-EES-100
Toshi:
Courtyard Walls

3

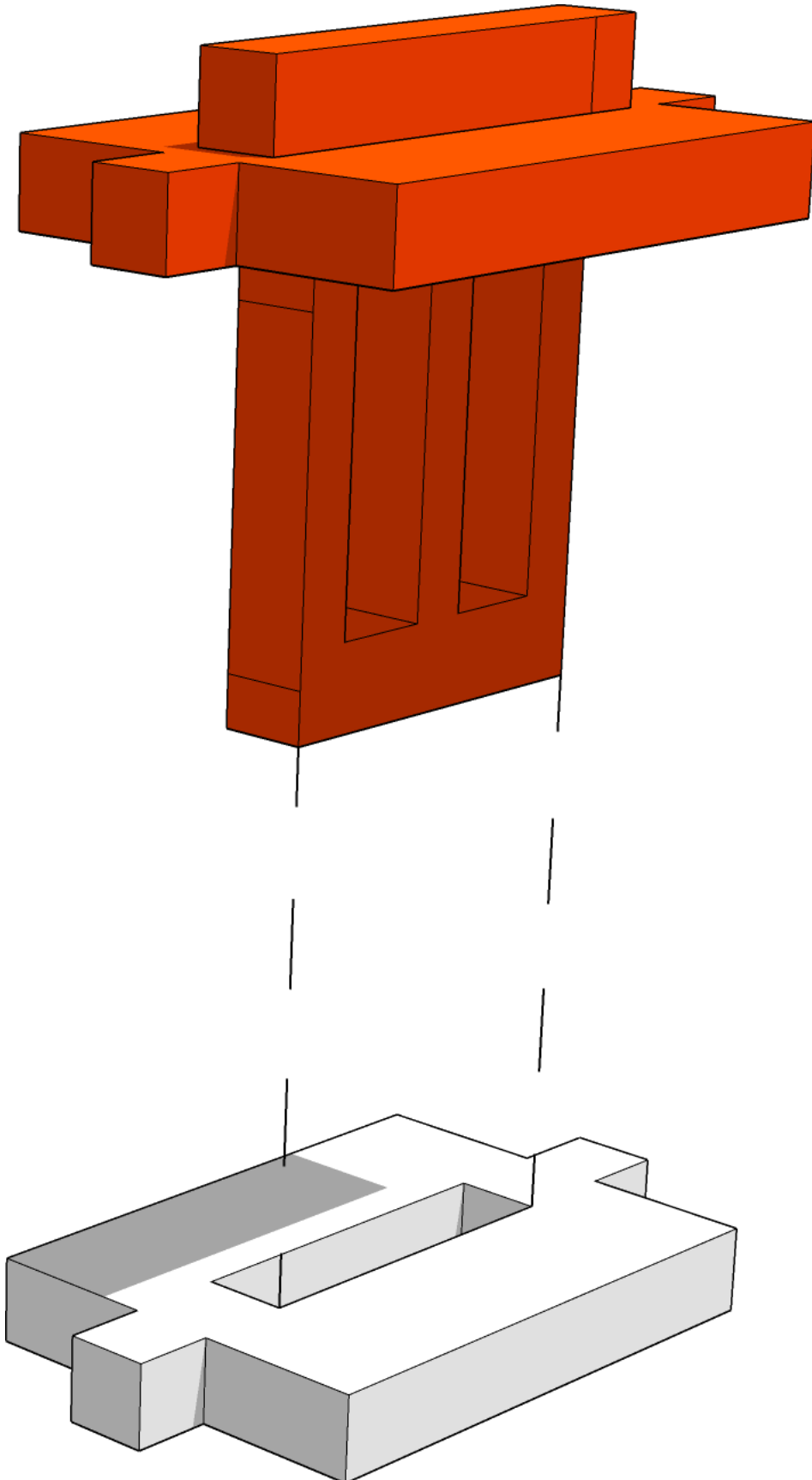




TABLETOP SCENICS

TTSCW-EES-100
Toshi:
Courtyard Walls

4

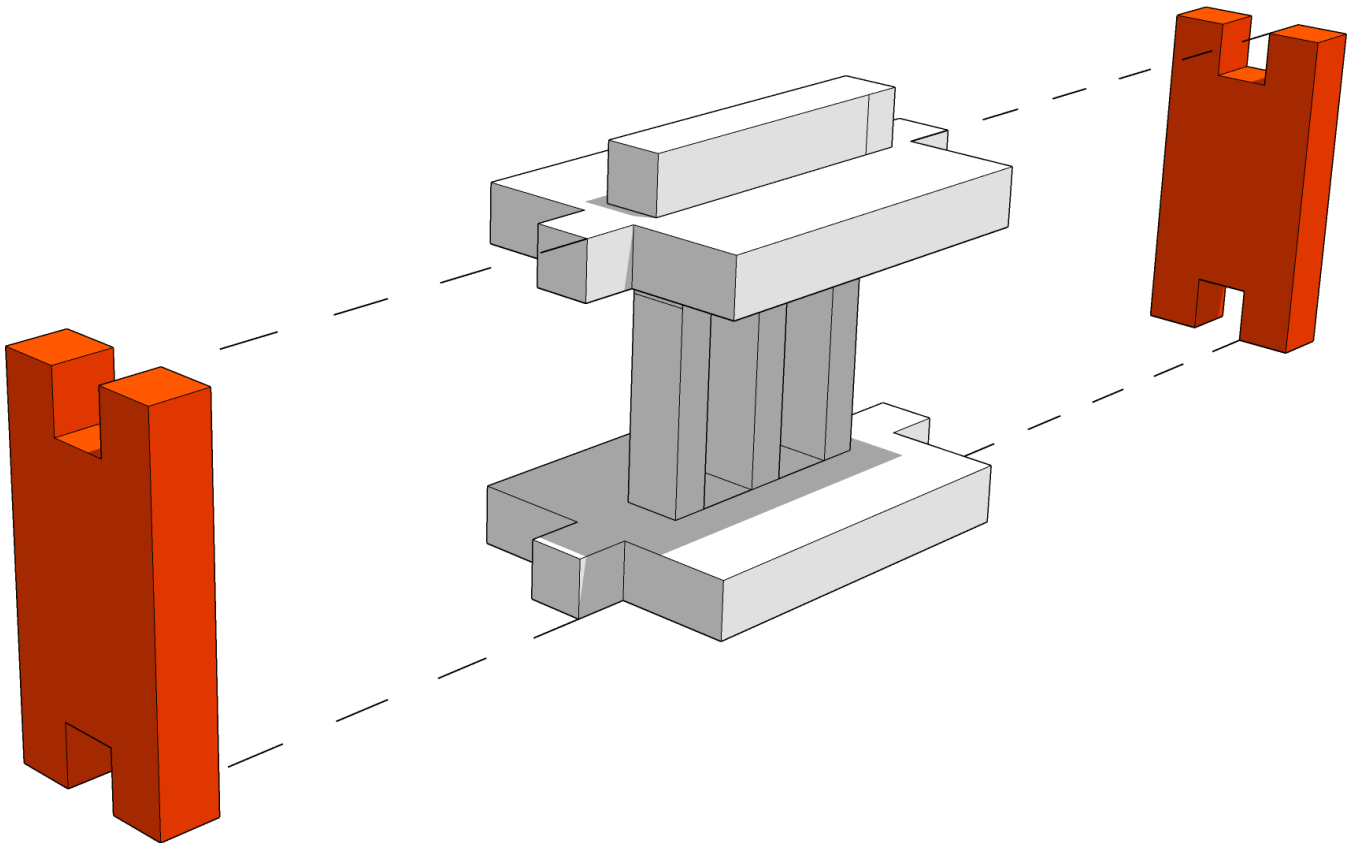




TABLETOP SCENICS

TTSCW-EES-100
Toshi:
Courtyard Walls

5

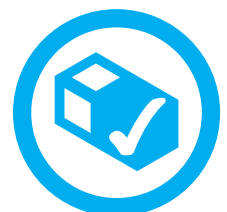
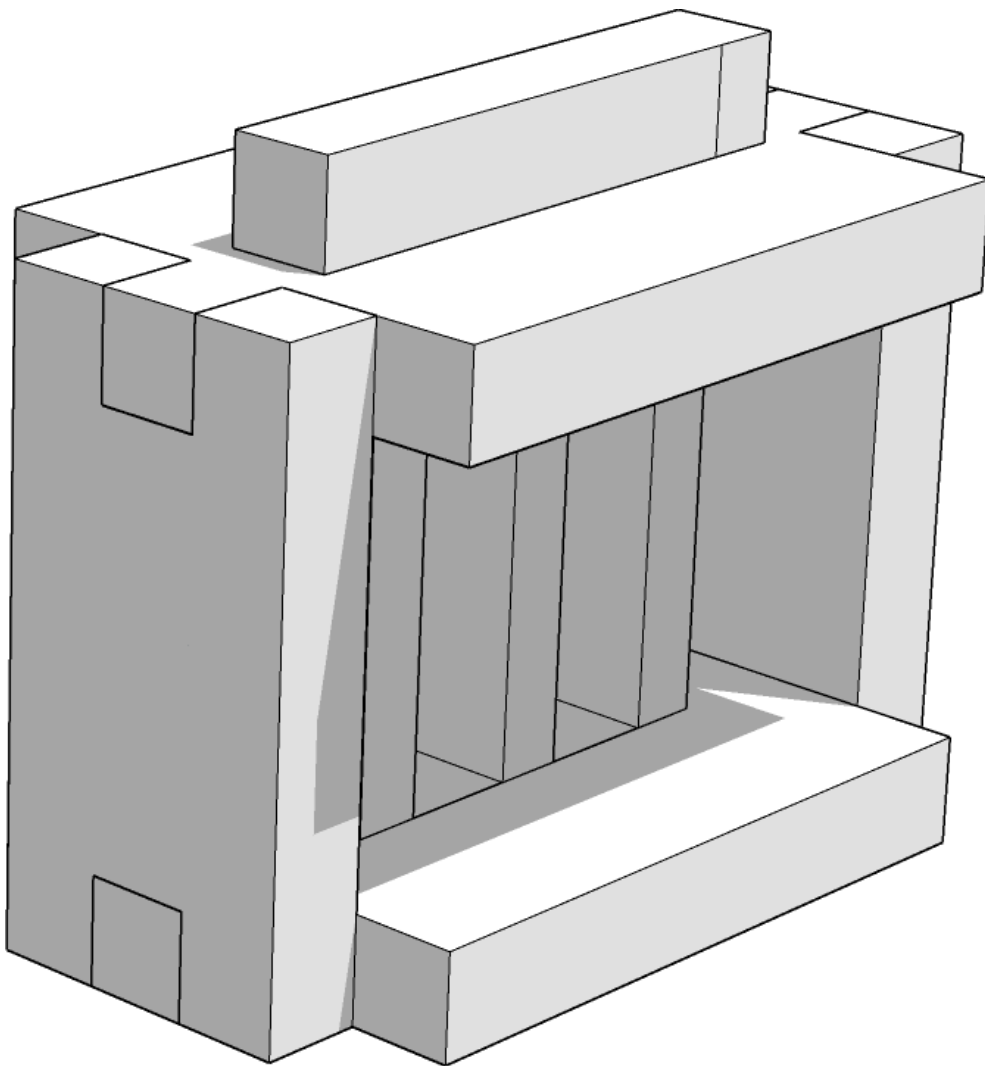




TABLETOP SCENICS

TTSCW-EES-100
Toshi:
Courtyard Walls

6

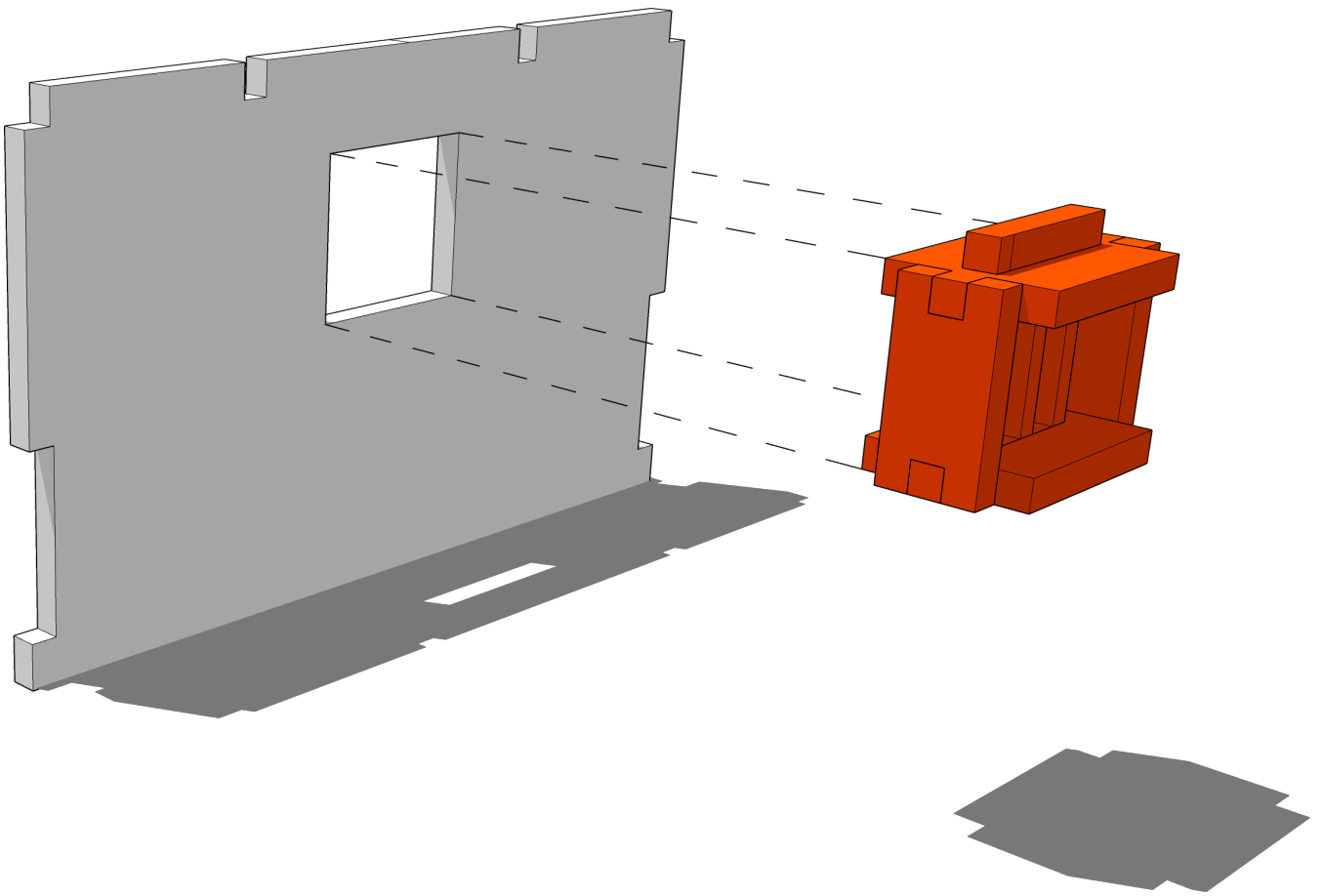




TABLETOP SCENICS

TTSCW-EES-100
Toshi:
Courtyard Walls

7

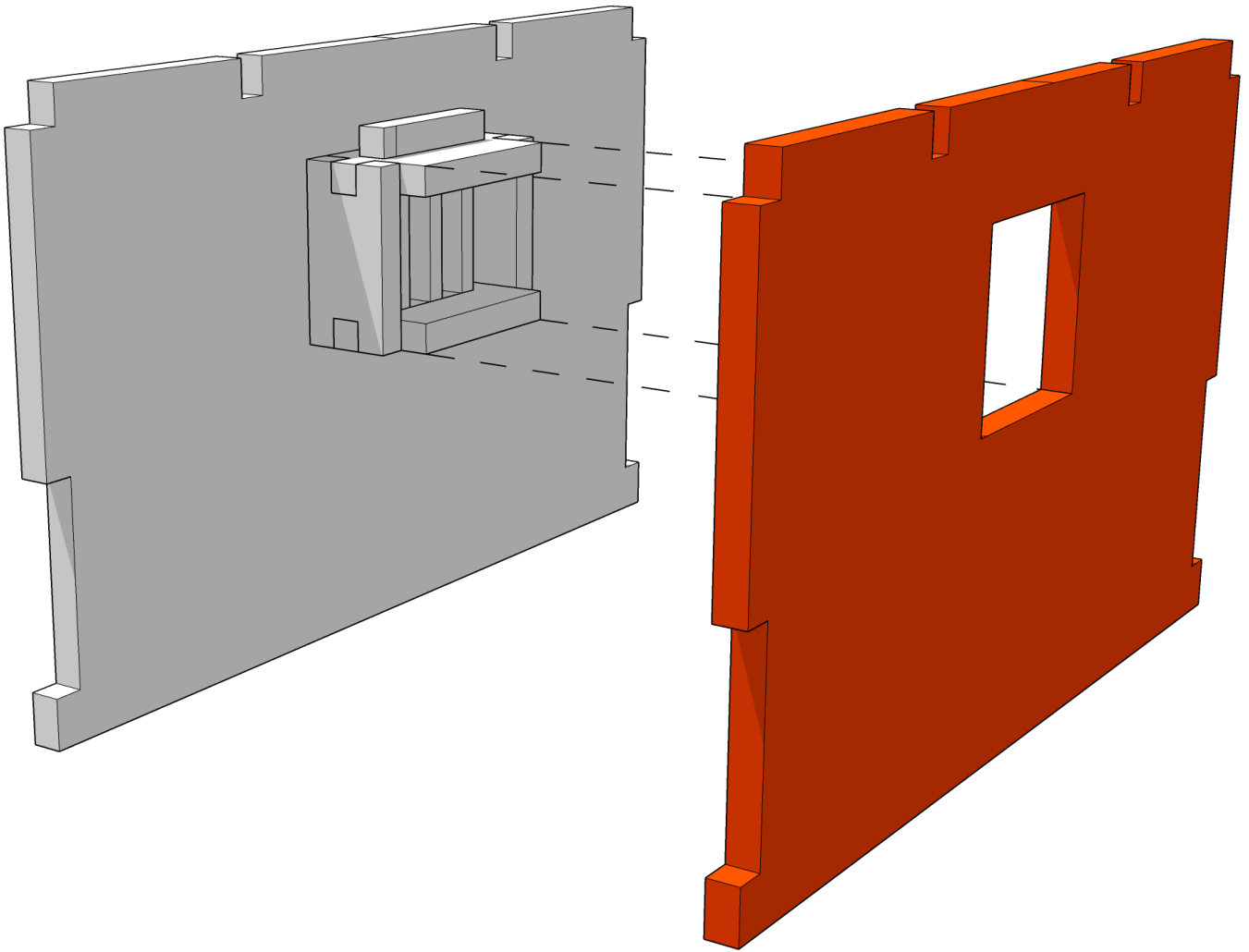




TABLETOP SCENICS

TTSCW-EES-100
Toshi:
Courtyard Walls

8

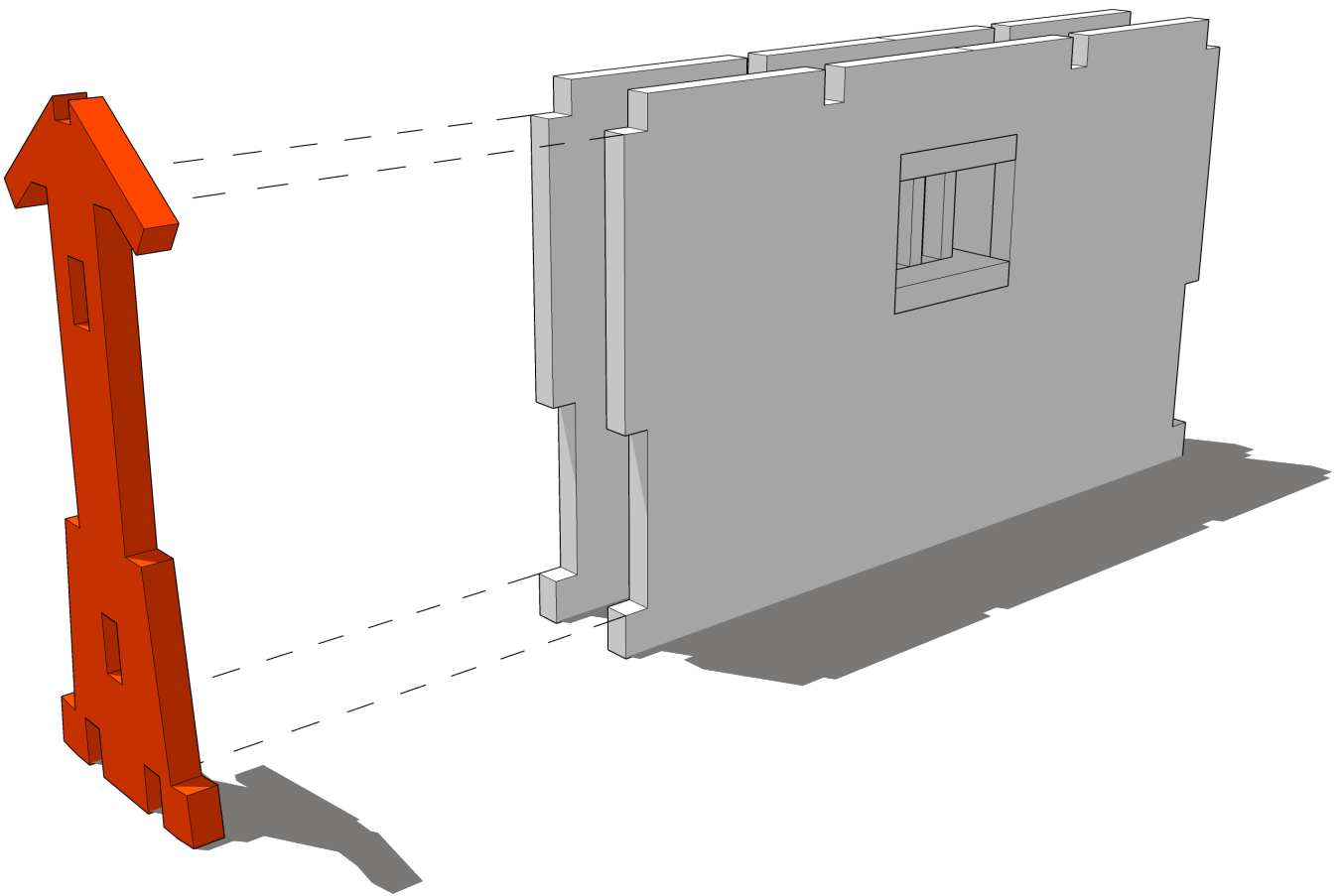




TABLETOP SCENICS

TTSCW-EES-100
Toshi:
Courtyard Walls

9

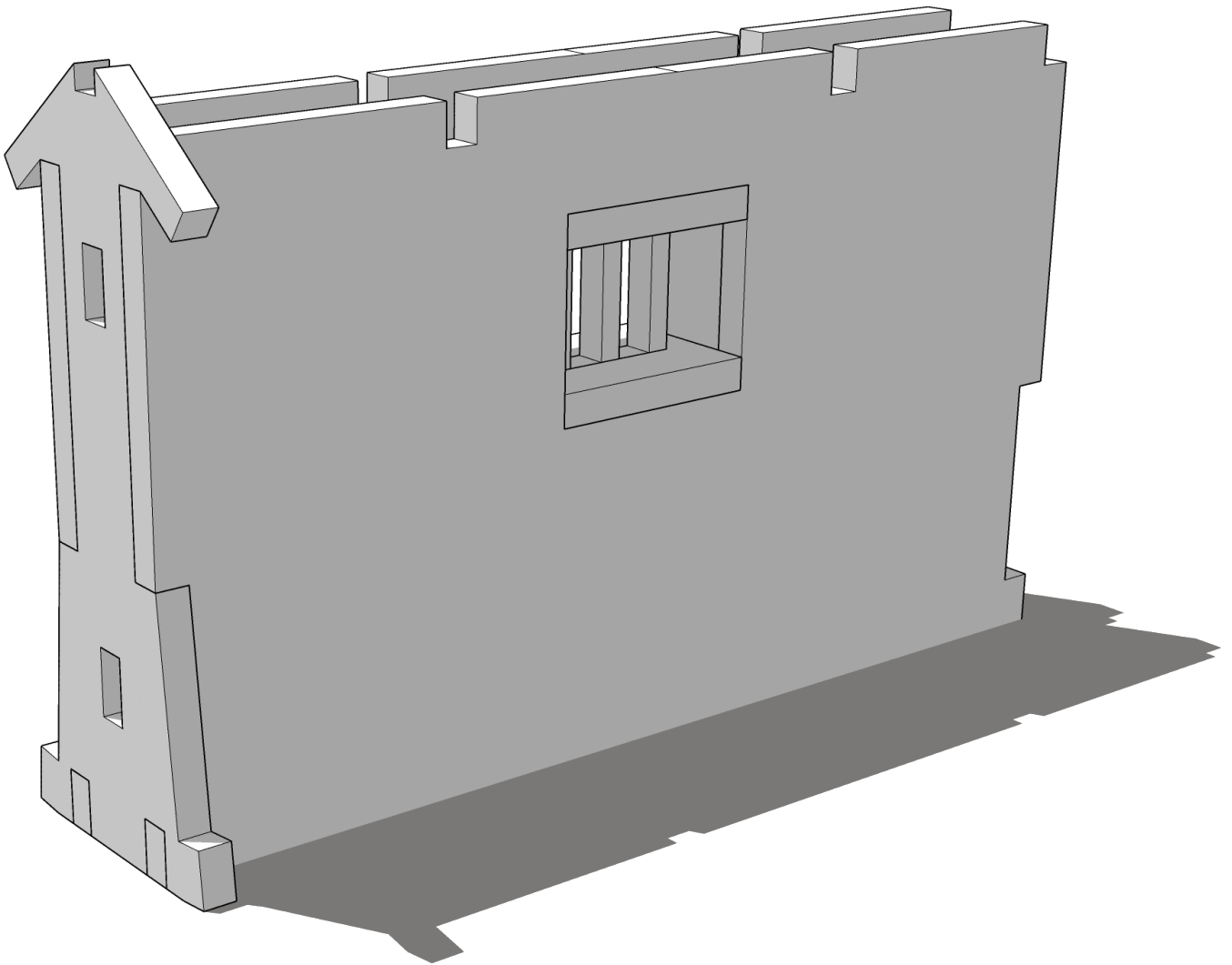




TABLETOP SCENICS

TTSCW-EES-100
Toshi:
Courtyard Walls

10

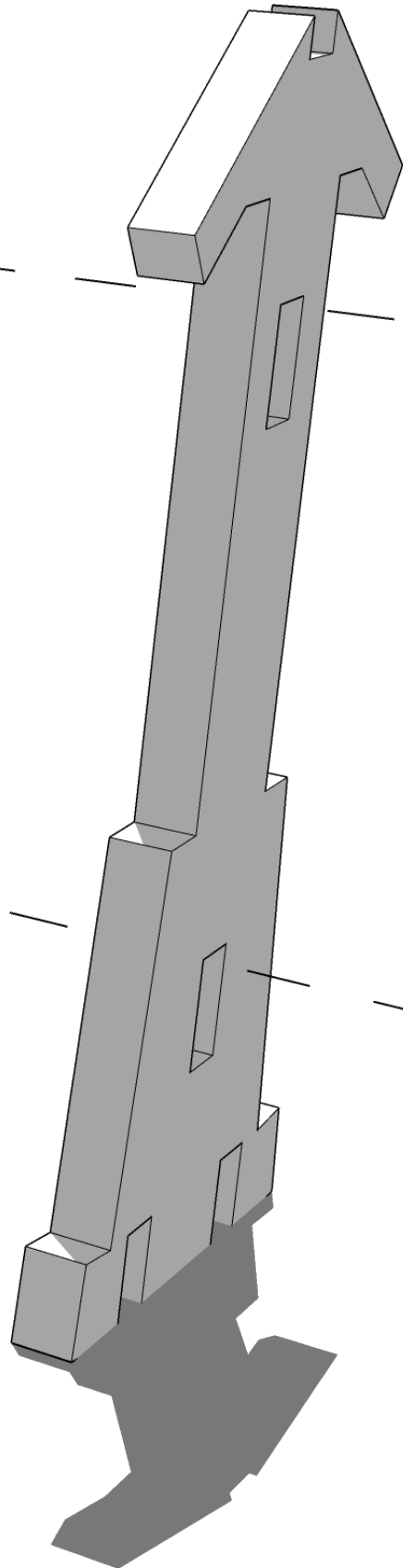
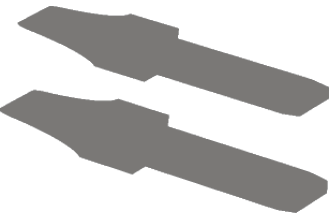
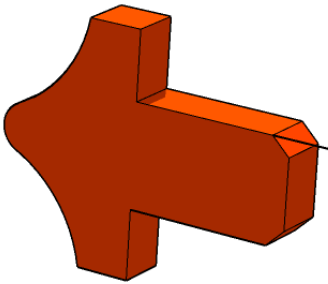
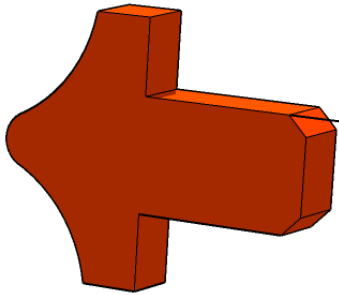




TABLETOP SCENICS

TTSCW-EES-100
Toshi:
Courtyard Walls

11

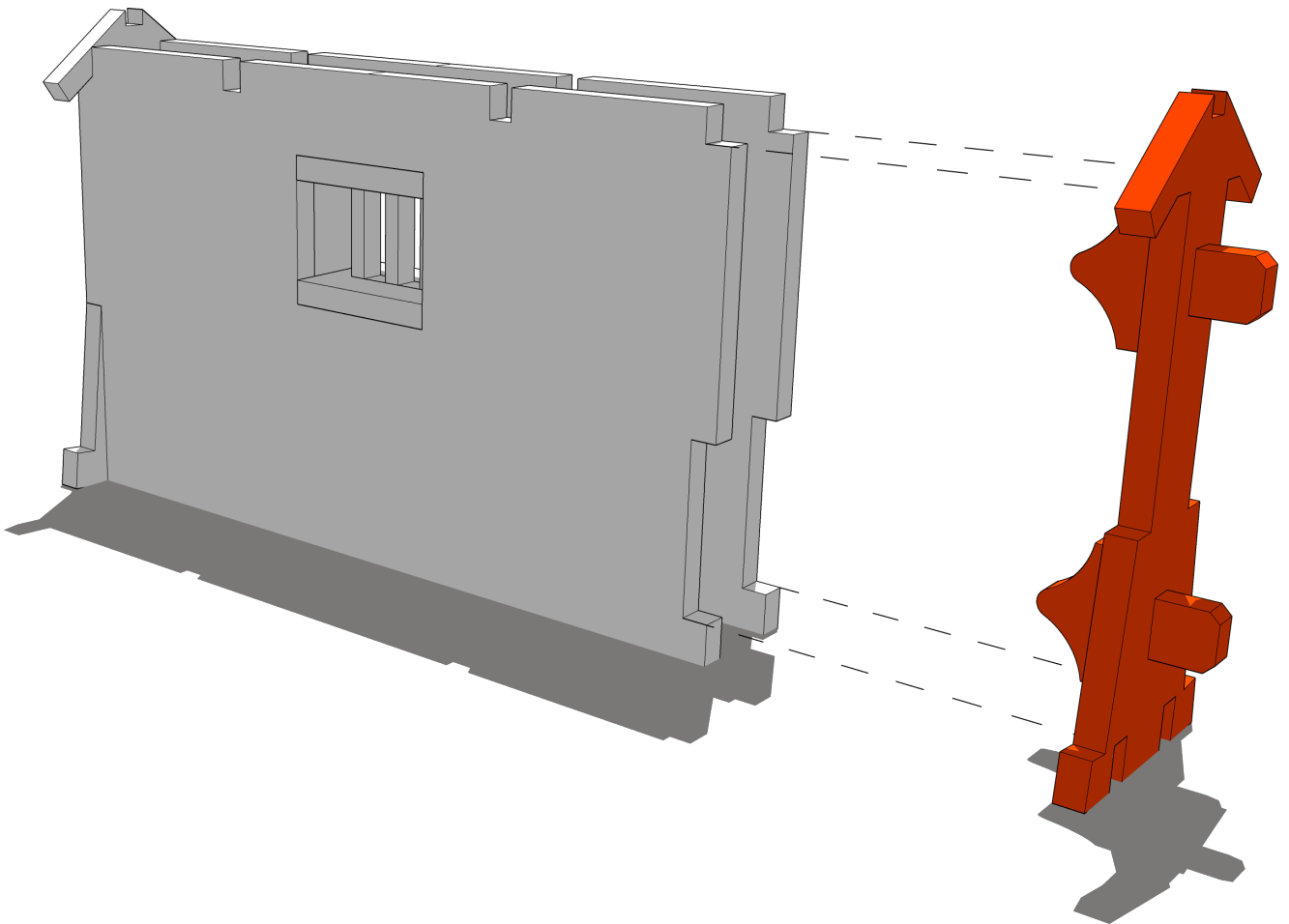




TABLETOP SCENICS

TTSCW-EES-100
Toshi:
Courtyard Walls

12

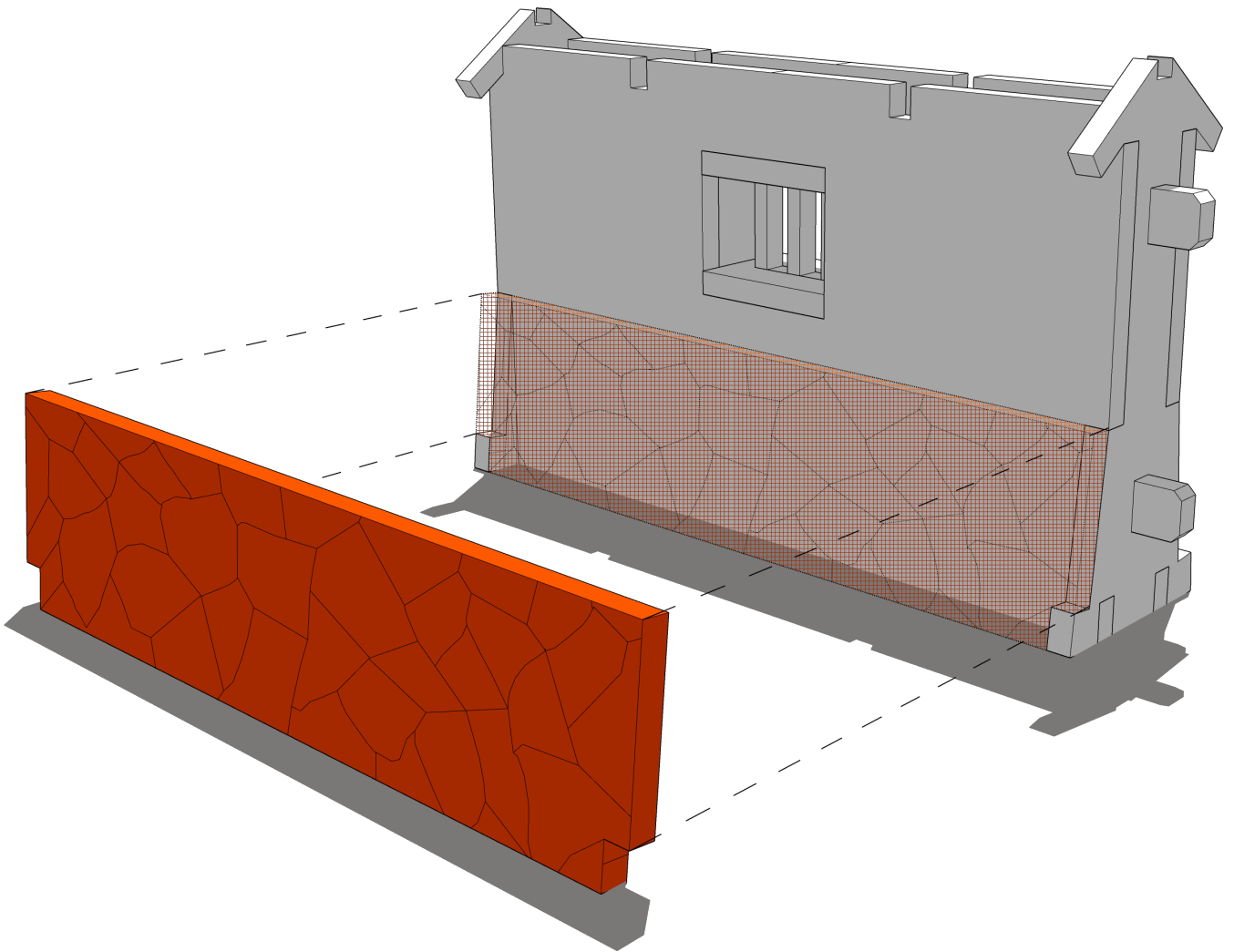




TABLETOP SCENICS

TTSCW-EES-100
Toshi:
Courtyard Walls

13

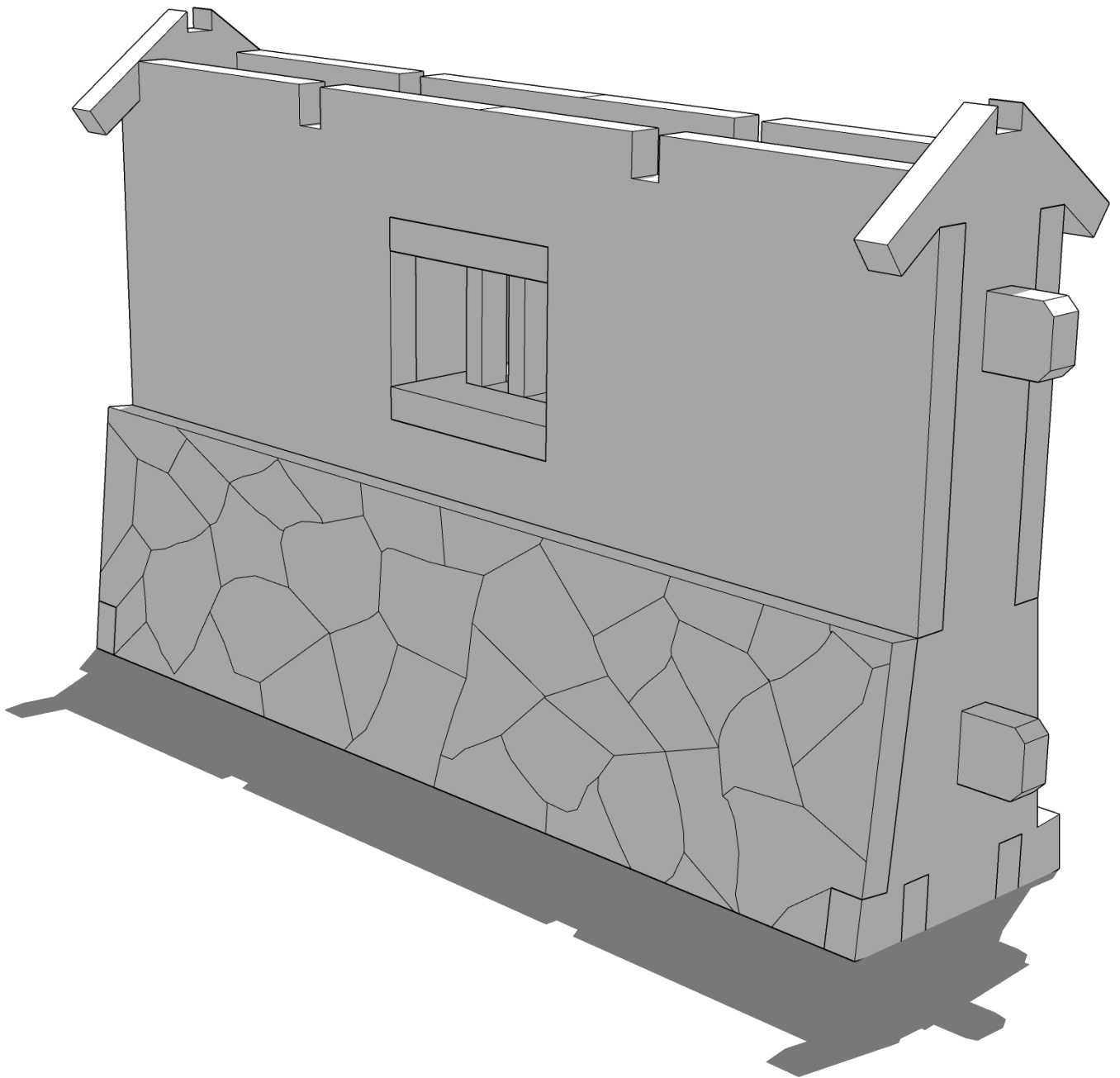




TABLETOP SCENICS

TTSCW-EES-100
Toshi:
Courtyard Walls

14

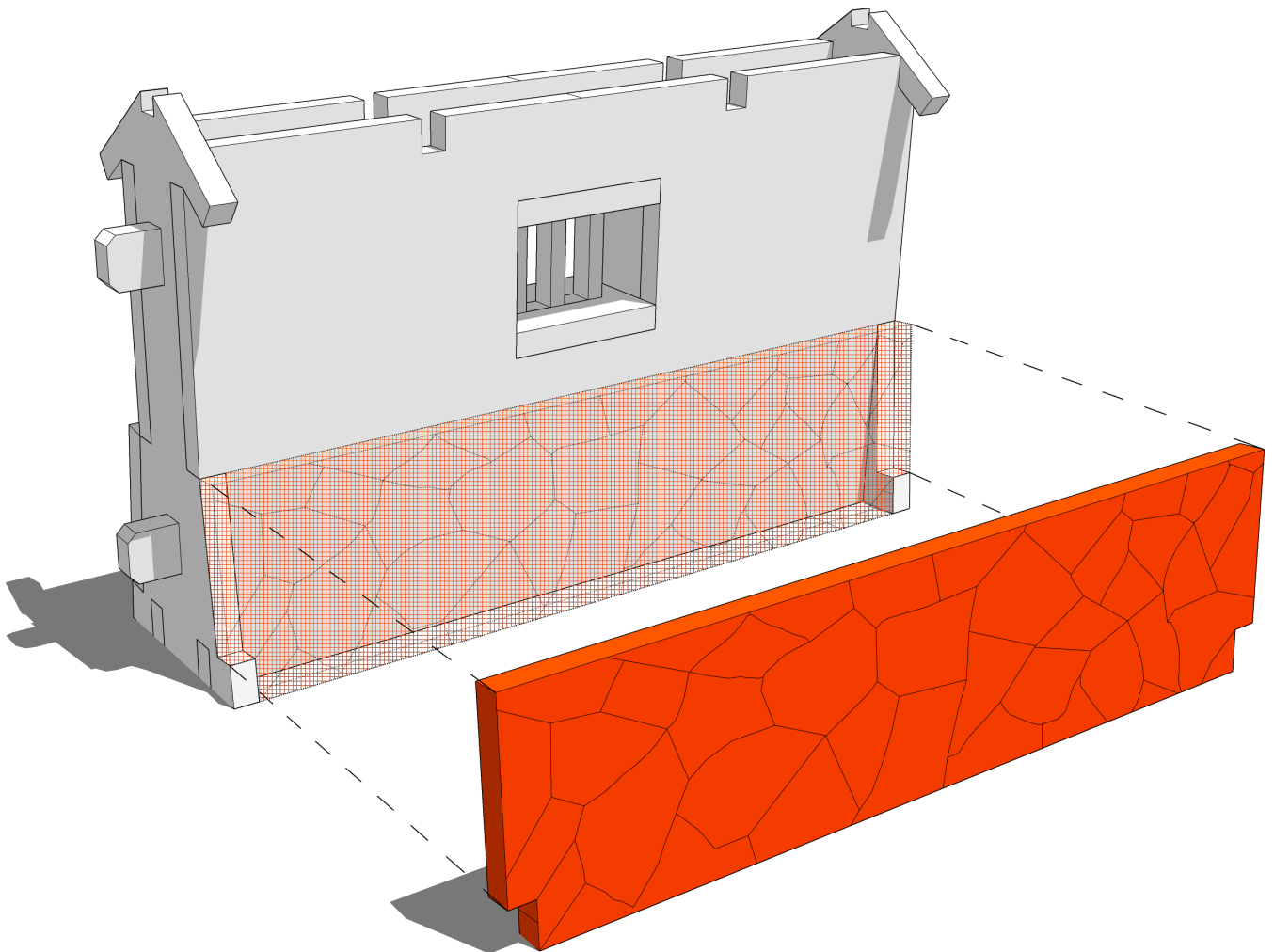




TABLETOP SCENICS

TTSCW-EES-100
Toshi:
Courtyard Walls

15

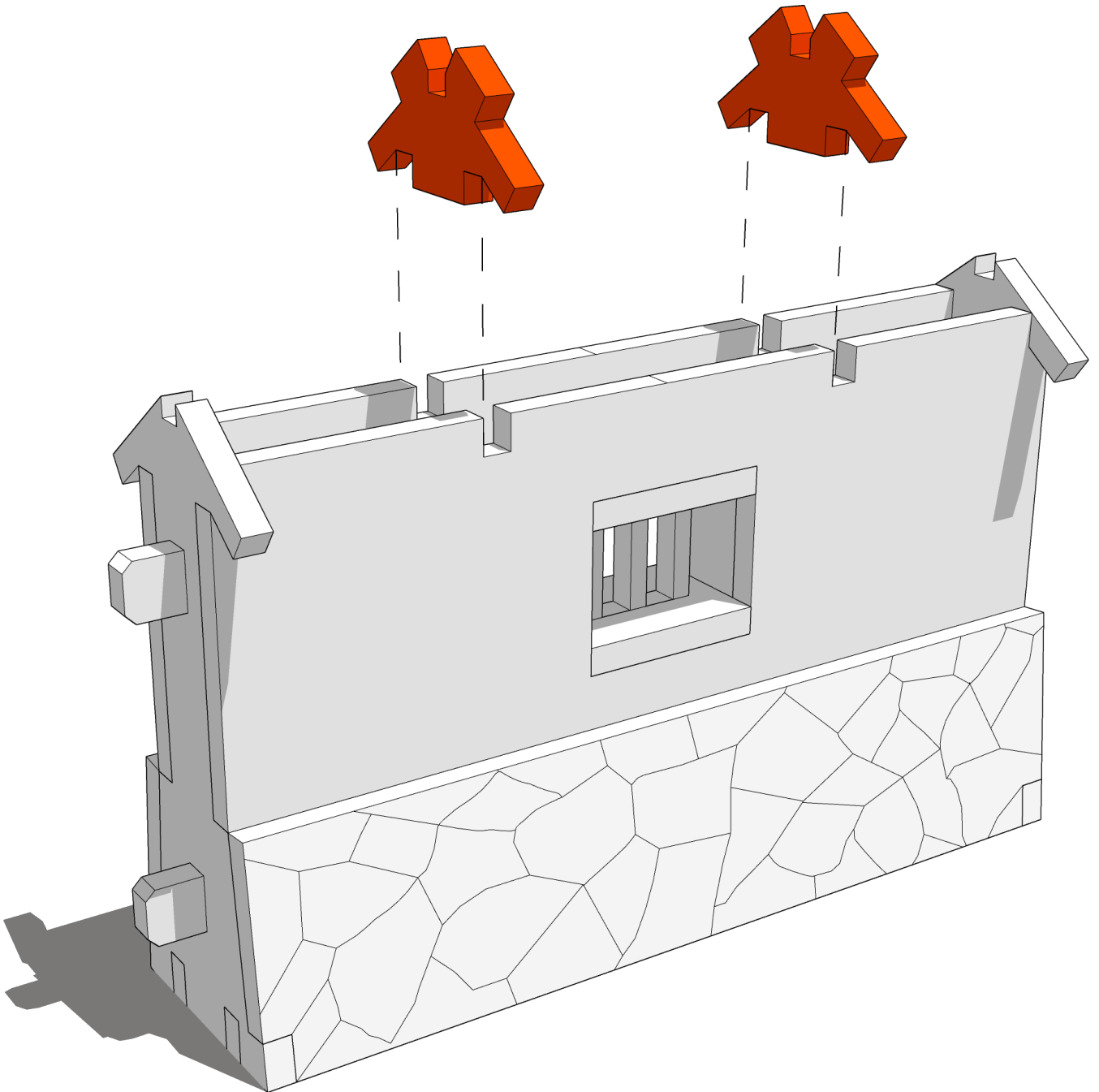




TABLETOP SCENICS

TTSCW-EES-100
Toshi:
Courtyard Walls

16

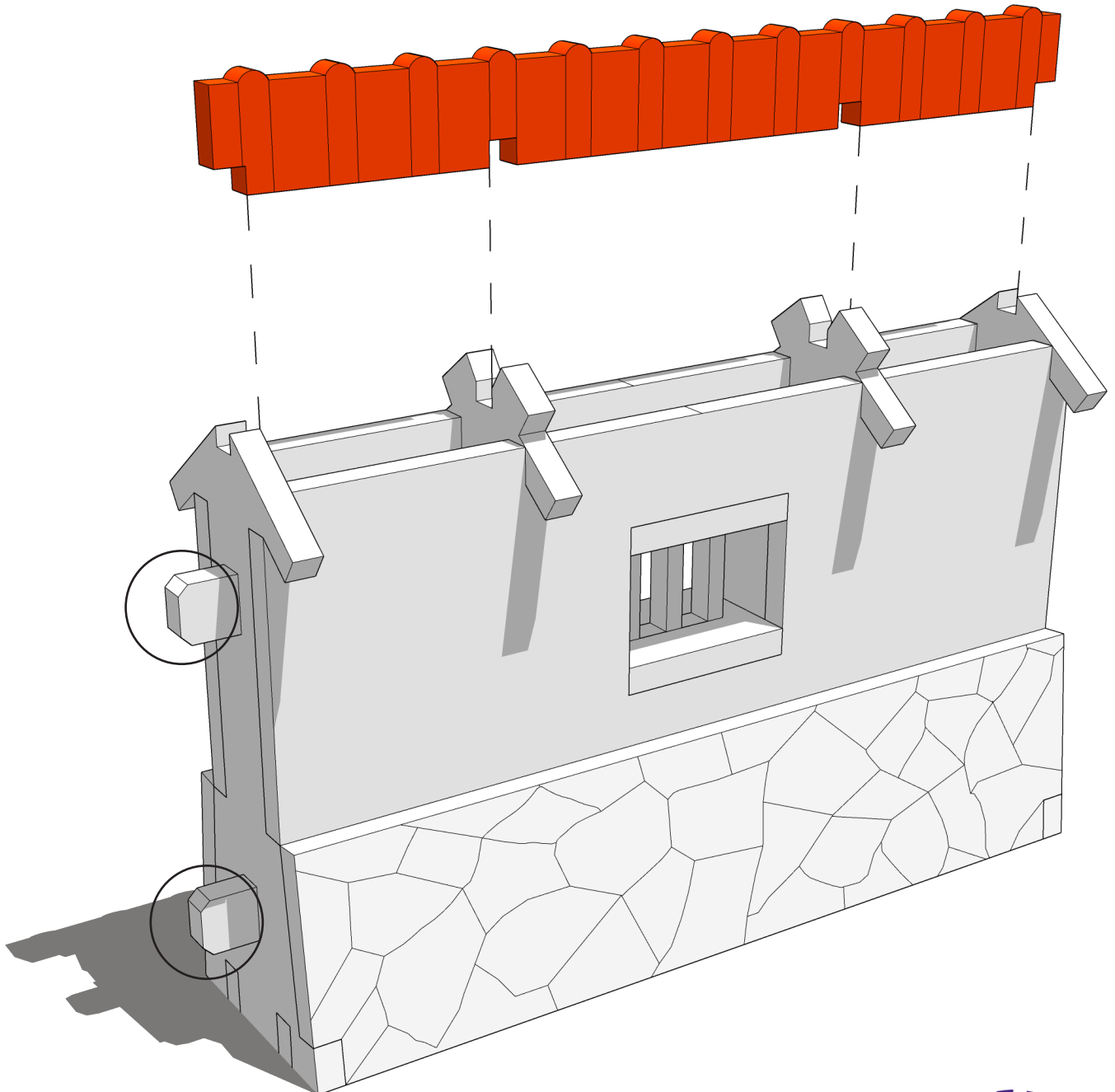




TABLETOP SCENICS

TTSCW-EES-100
Toshi:
Courtyard Walls

17



The highlighted part must match the direction of the circled tabs (left).
This remains consistent for all parts throughout the build.



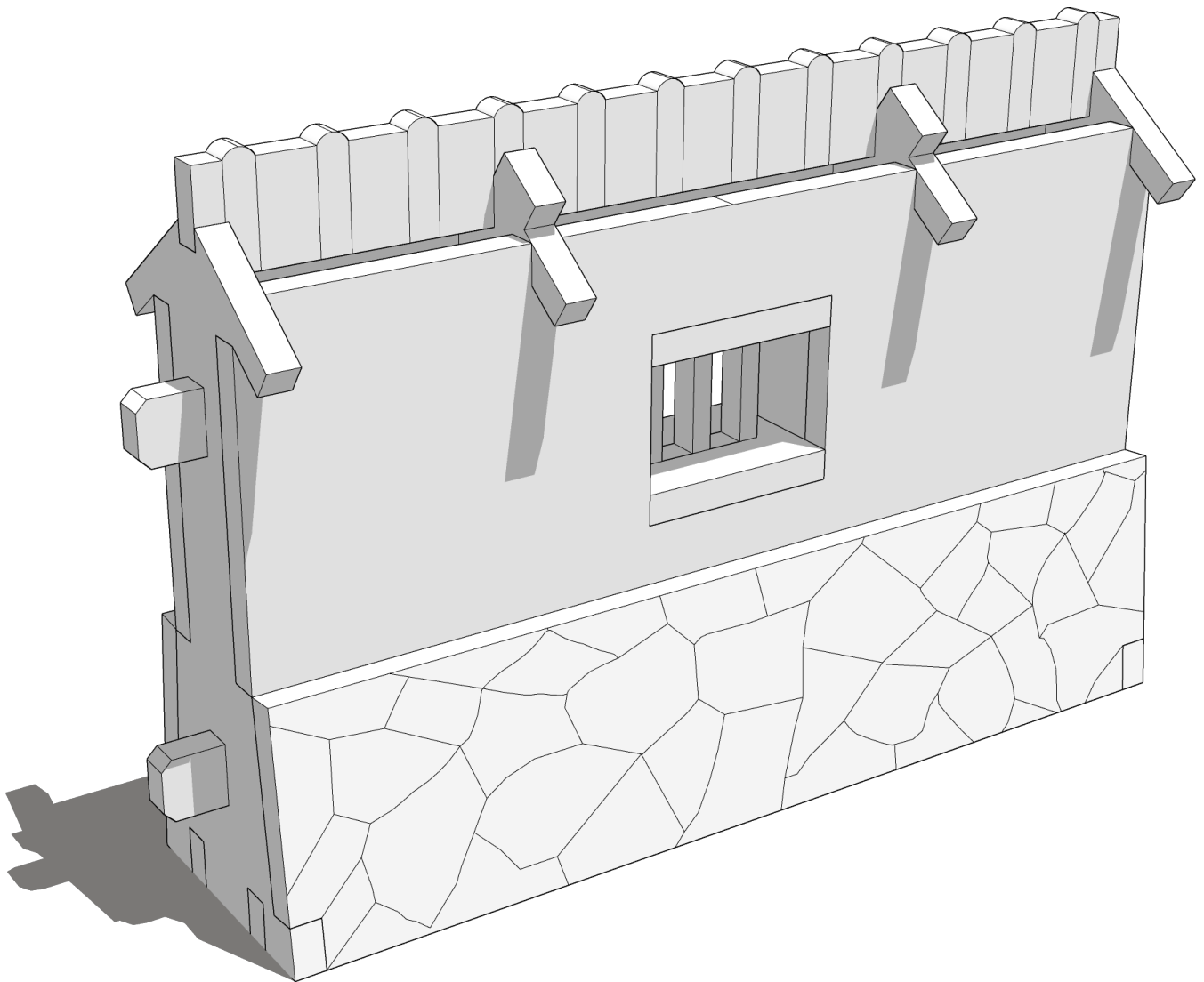
 **TTCOMBAT**



TABLETOP SCENICS

TTSCW-EES-100
Toshi:
Courtyard Walls

18

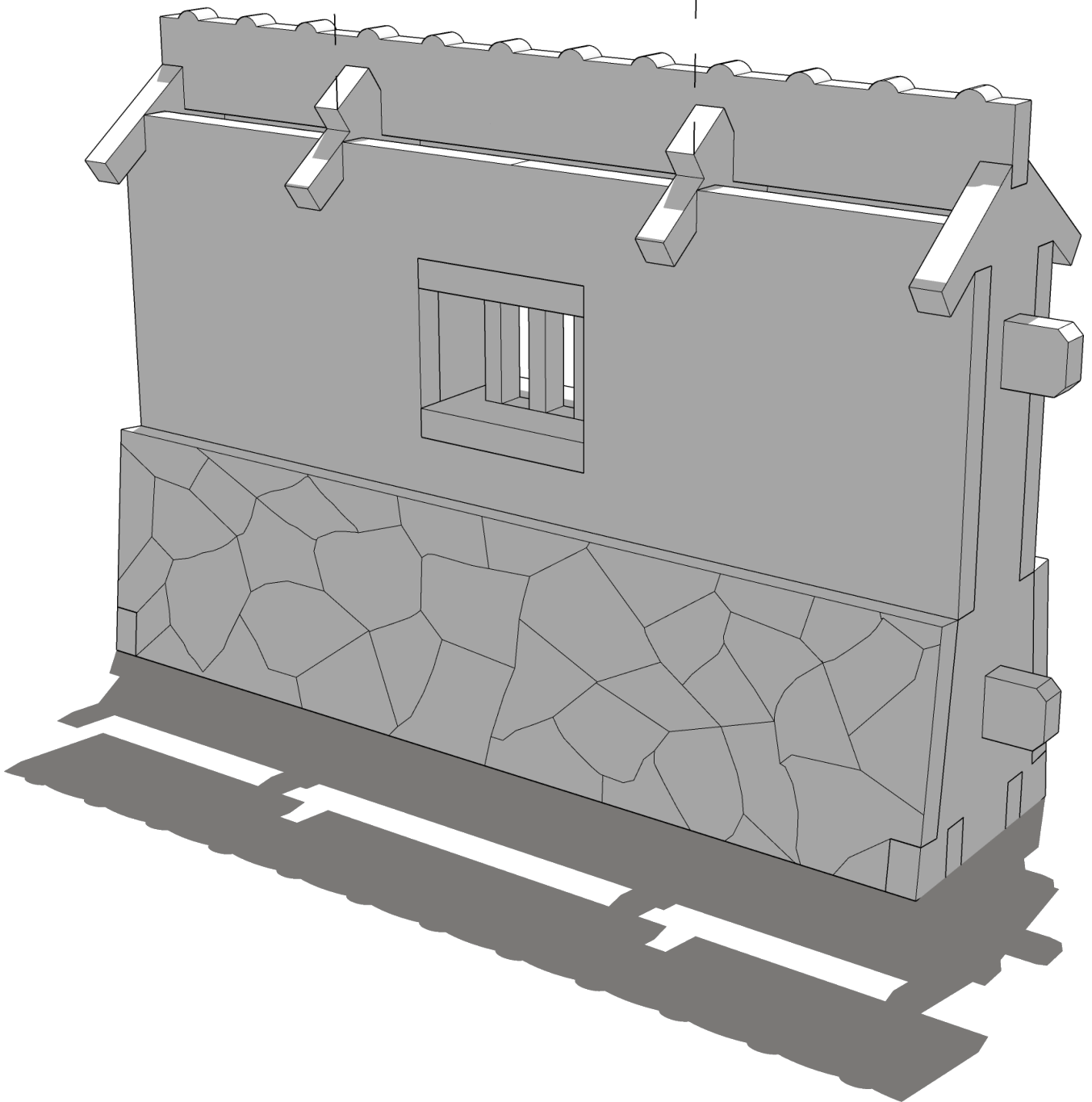
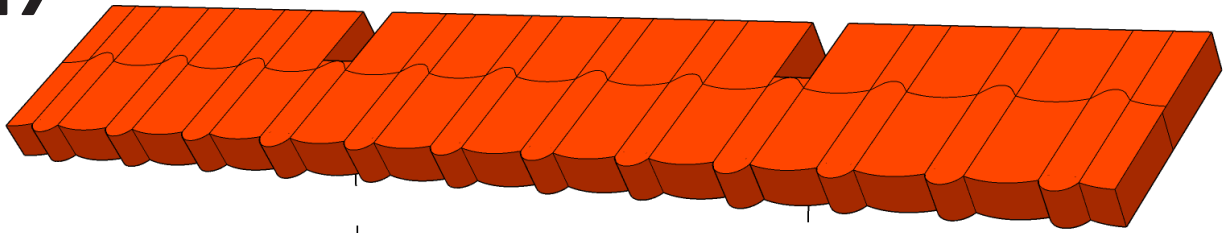




TABLETOP SCENICS

TTSCW-EES-100
Toshi:
Courtyard Walls

19

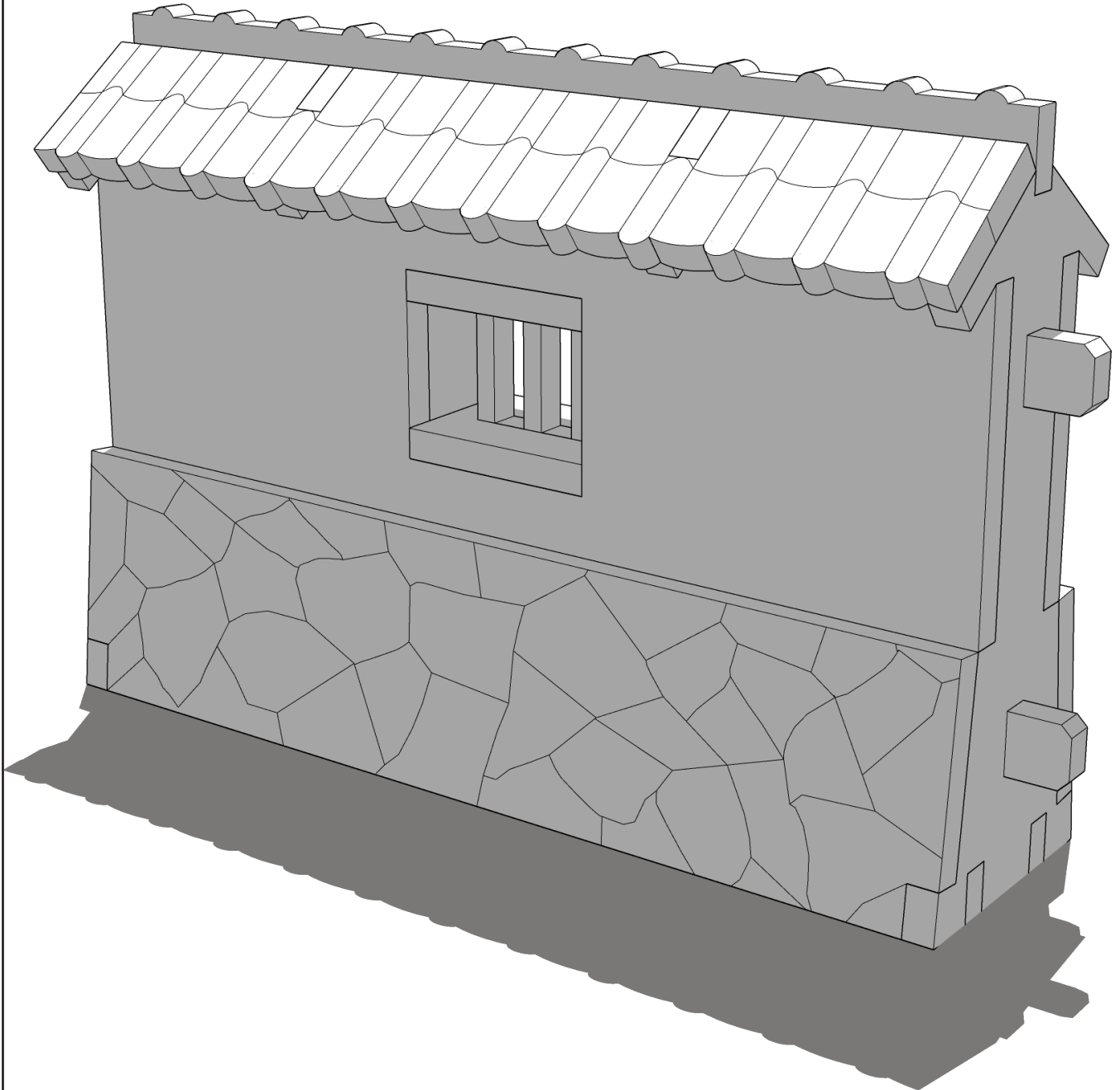




TABLETOP SCENICS

TTSCW-EES-100
Toshi:
Courtyard Walls

20

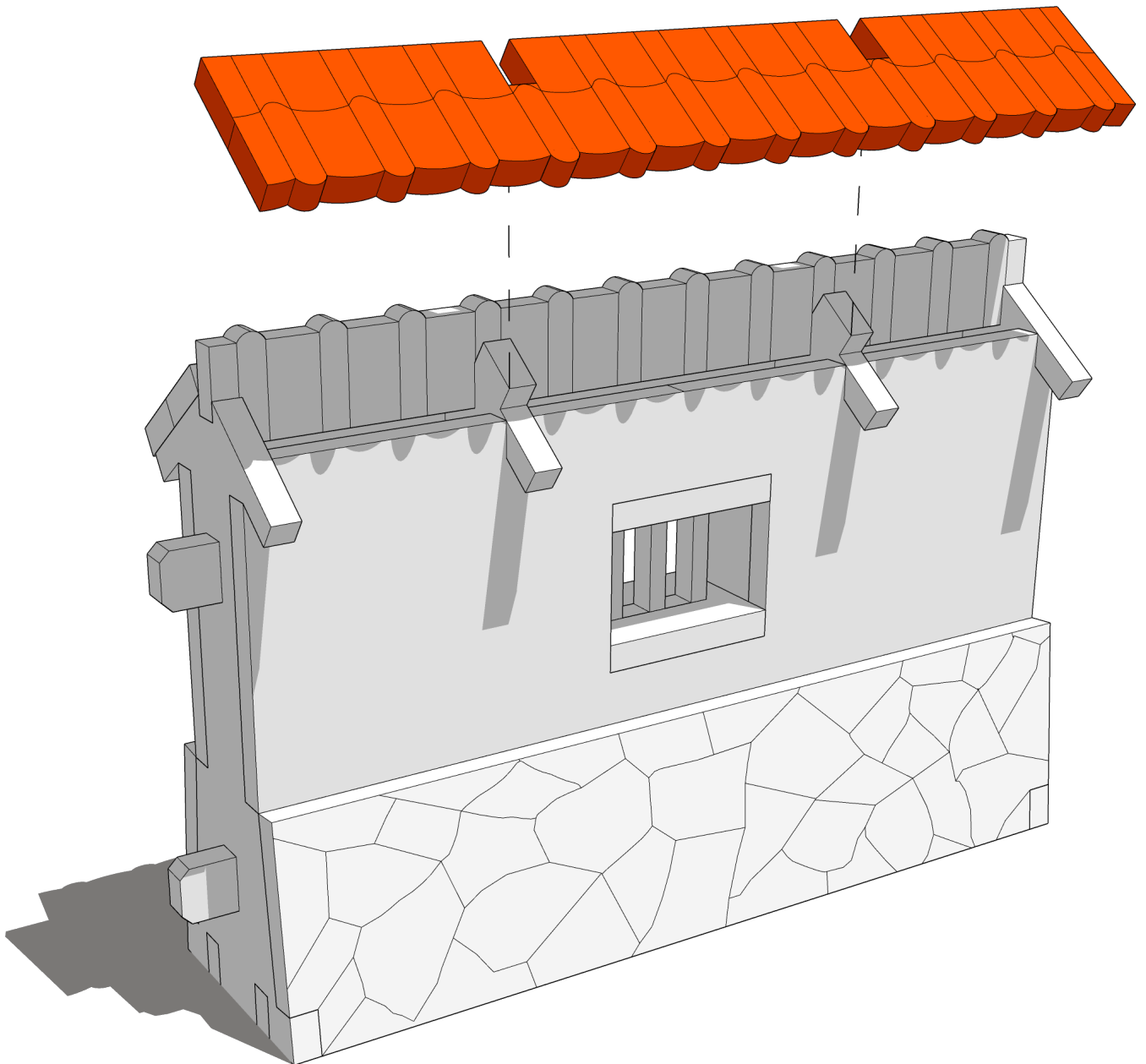




TABLETOP SCENICS

TTSCW-EES-100
Toshi:
Courtyard Walls

21

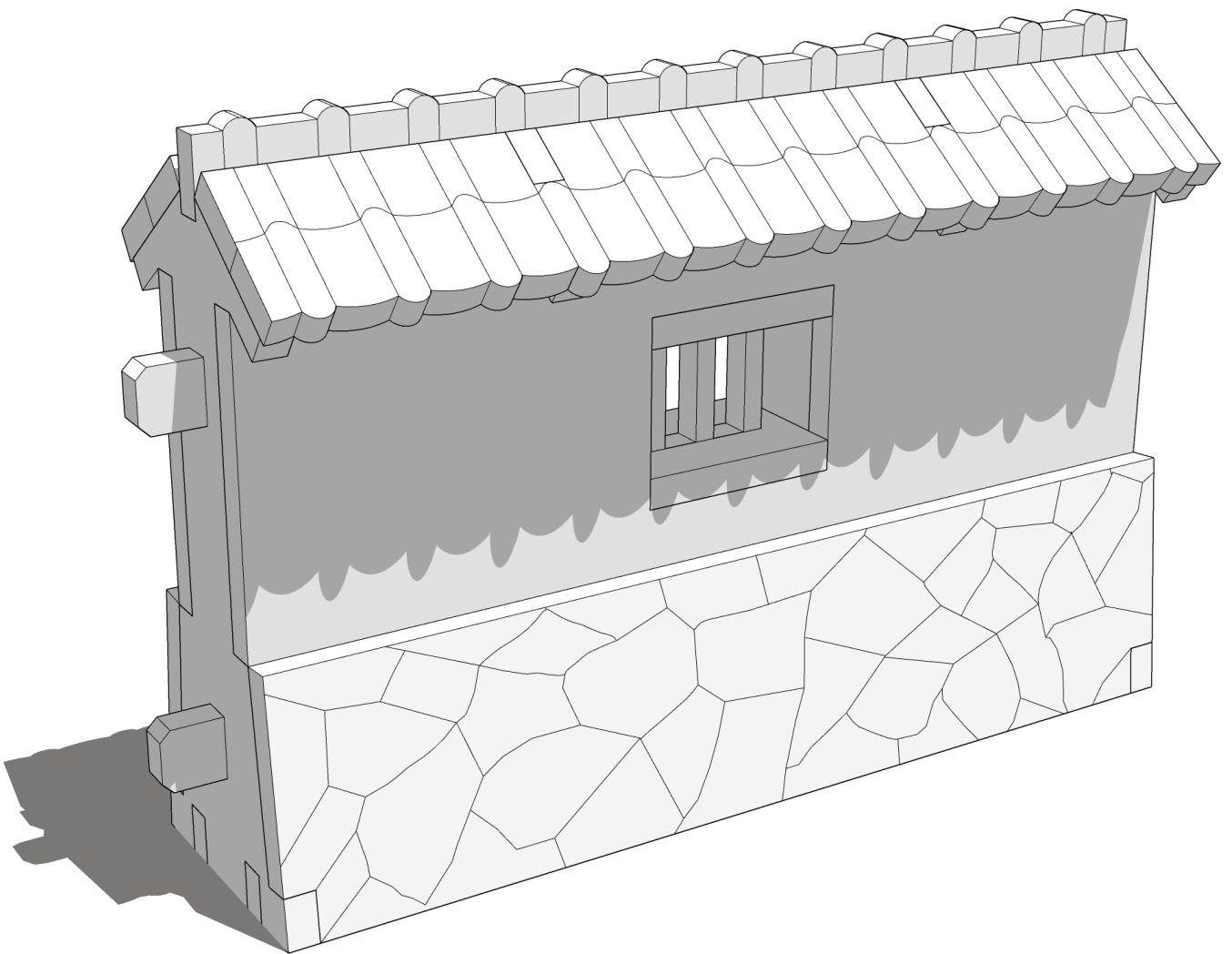




TABLETOP SCENICS

TTSCW-EES-100
Toshi:
Courtyard Walls

22



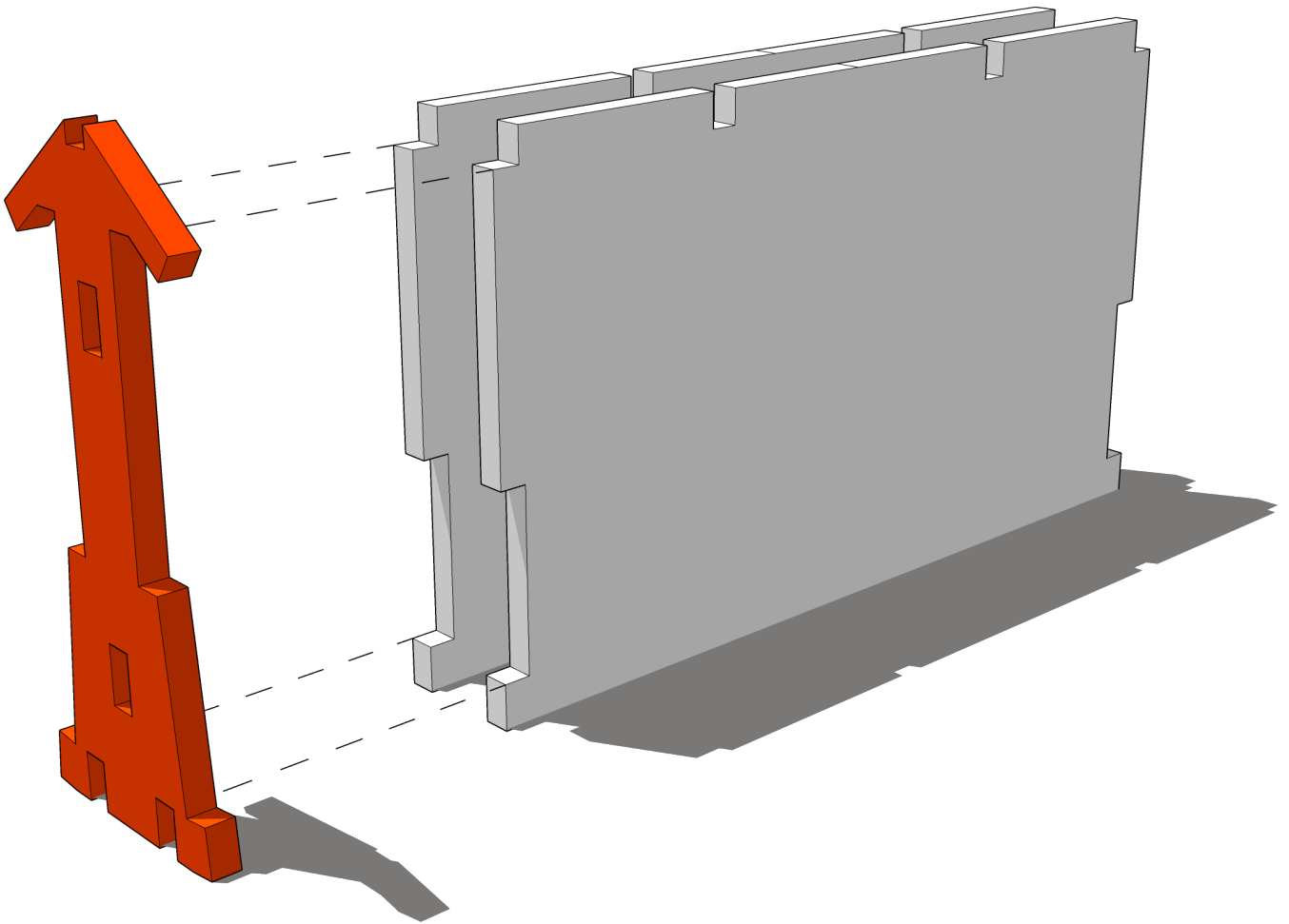
x2



TABLETOP SCENICS

TTSCW-EES-100
Toshi:
Courtyard Walls

23

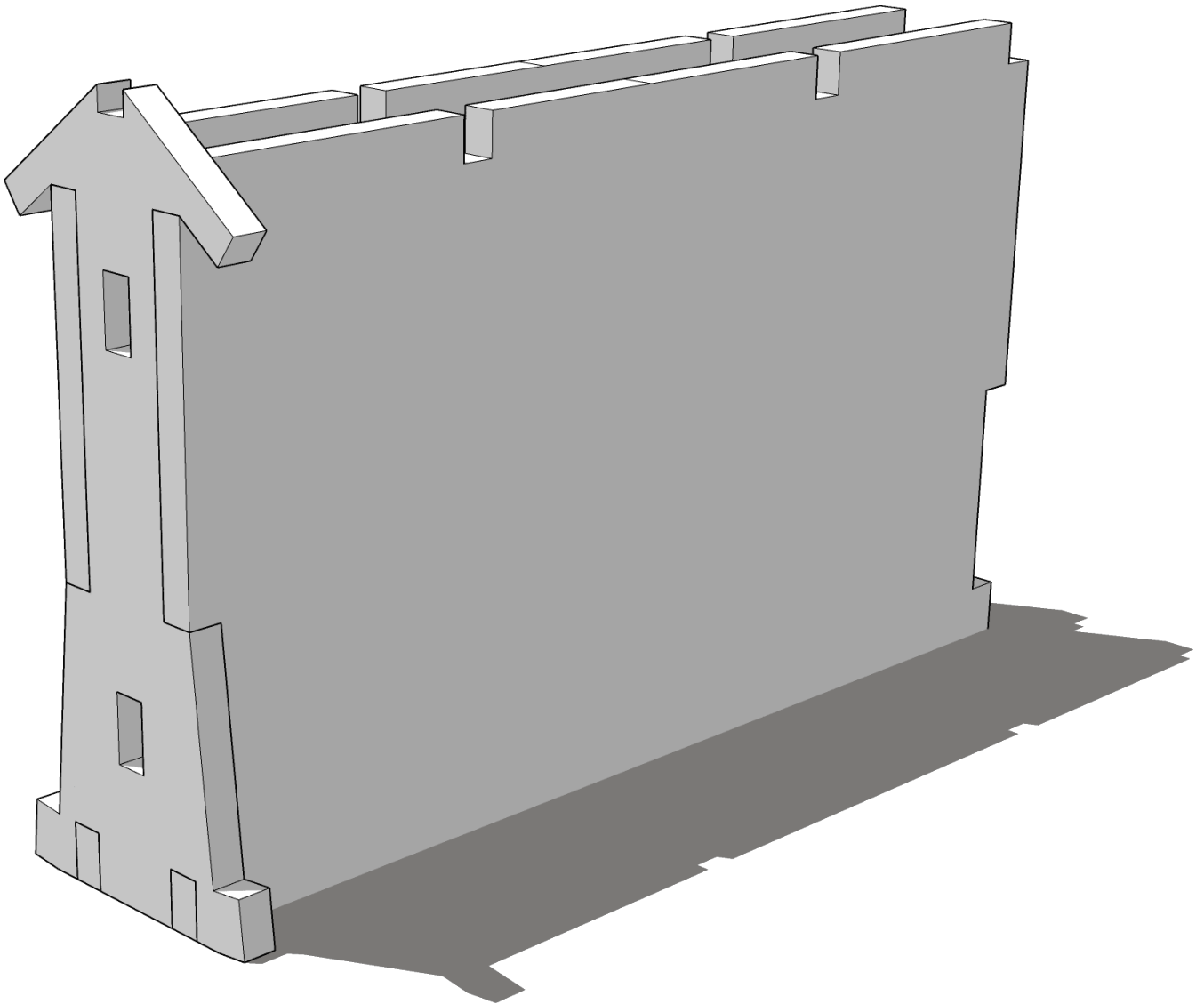




TABLETOP SCENICS

TTSCW-EES-100
Toshi:
Courtyard Walls

24

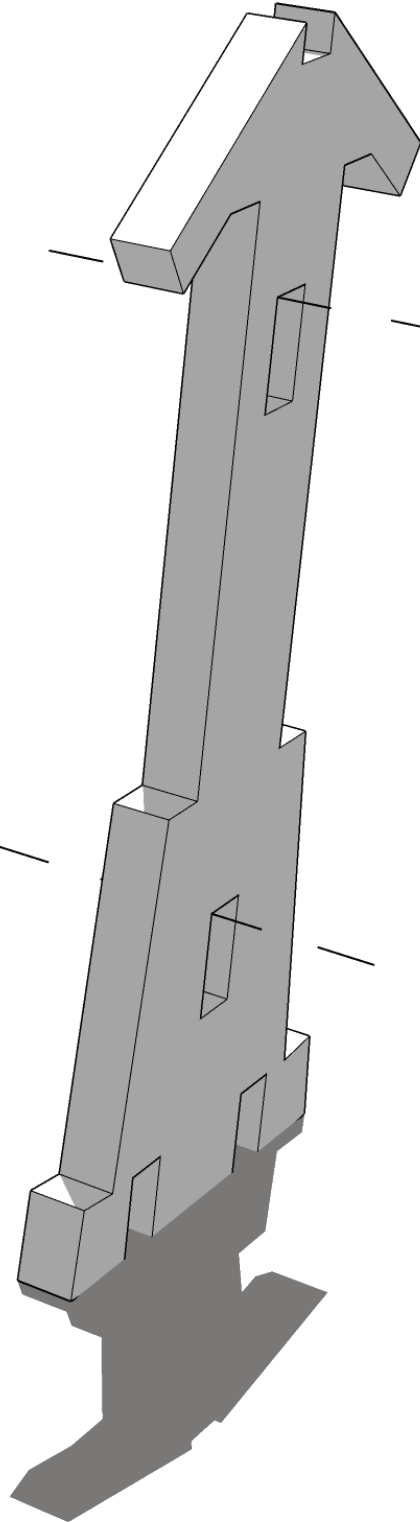
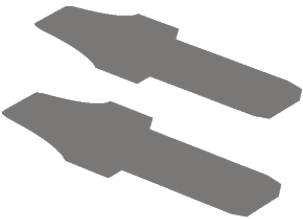
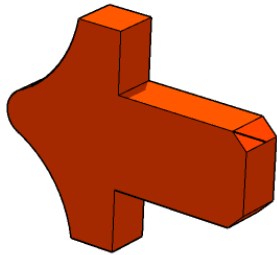
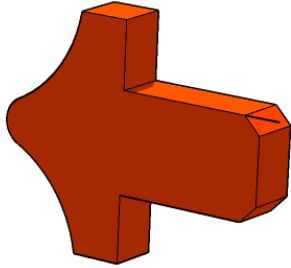




TABLETOP SCENICS

TTSCW-EES-100
Toshi:
Courtyard Walls

25

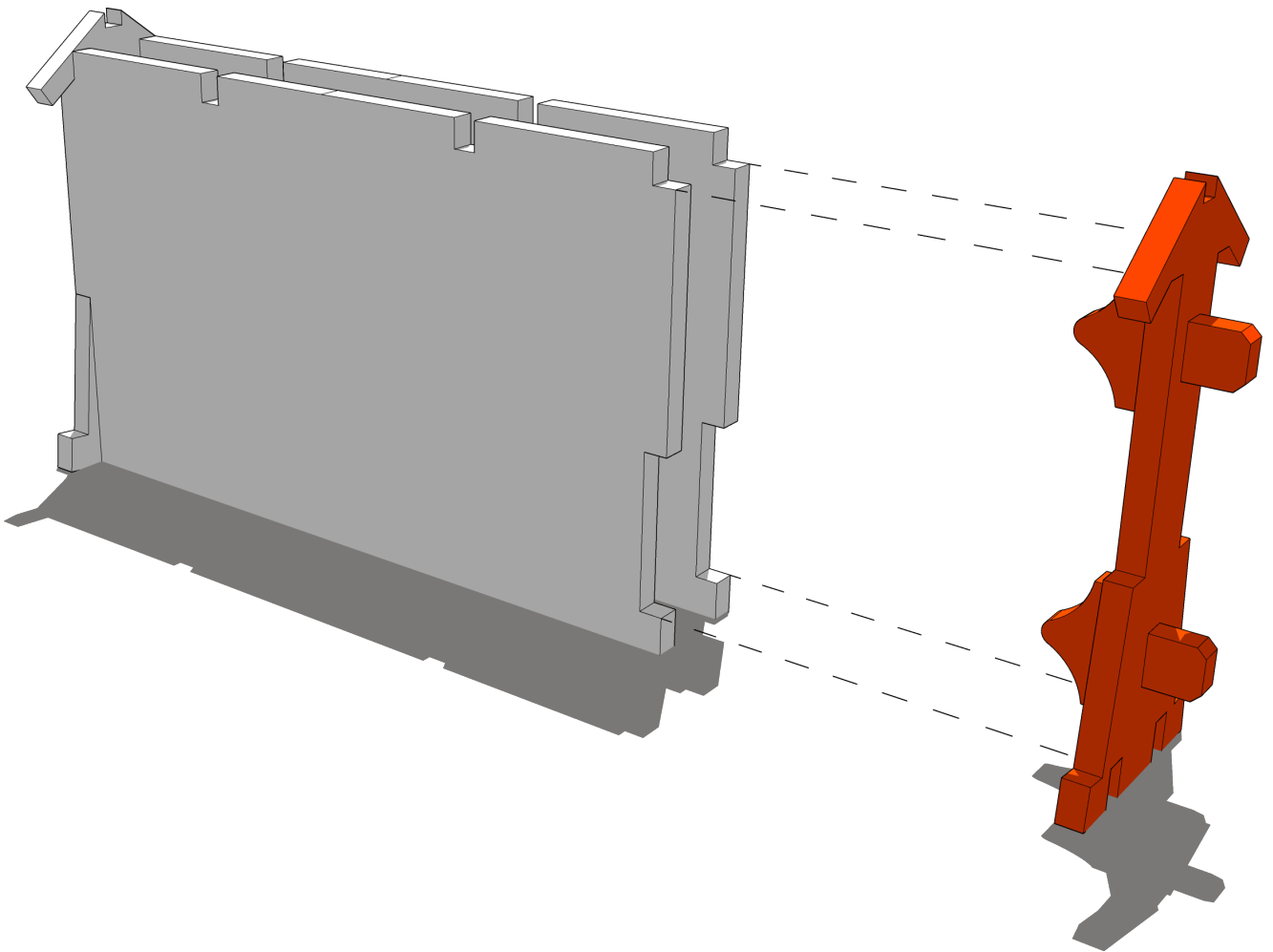




TABLETOP SCENICS

TTSCW-EES-100
Toshi:
Courtyard Walls

26

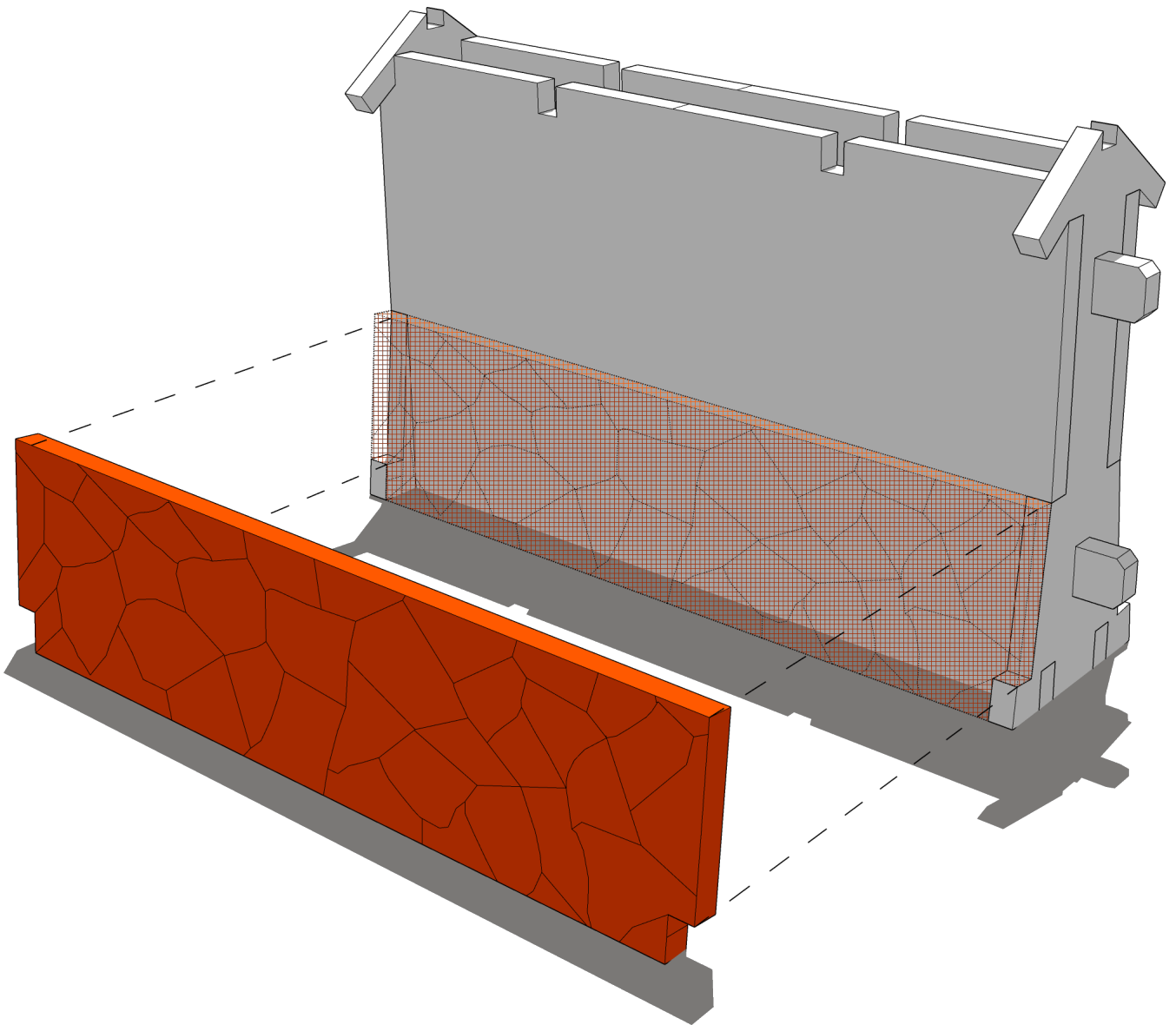




TABLETOP SCENICS

TTSCW-EES-100
Toshi:
Courtyard Walls

27

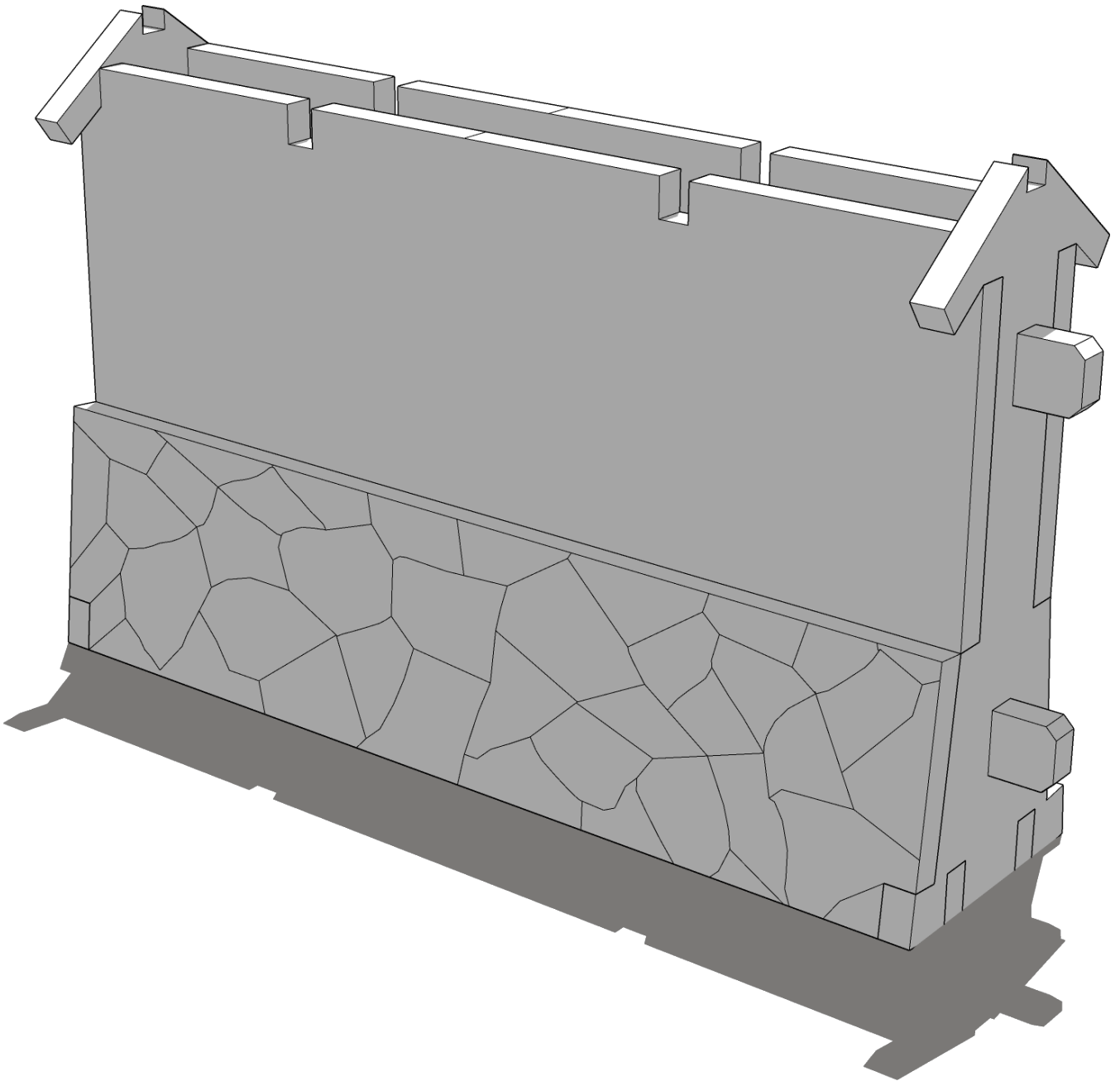




TABLETOP SCENICS

TTSCW-EES-100
Toshi:
Courtyard Walls

28

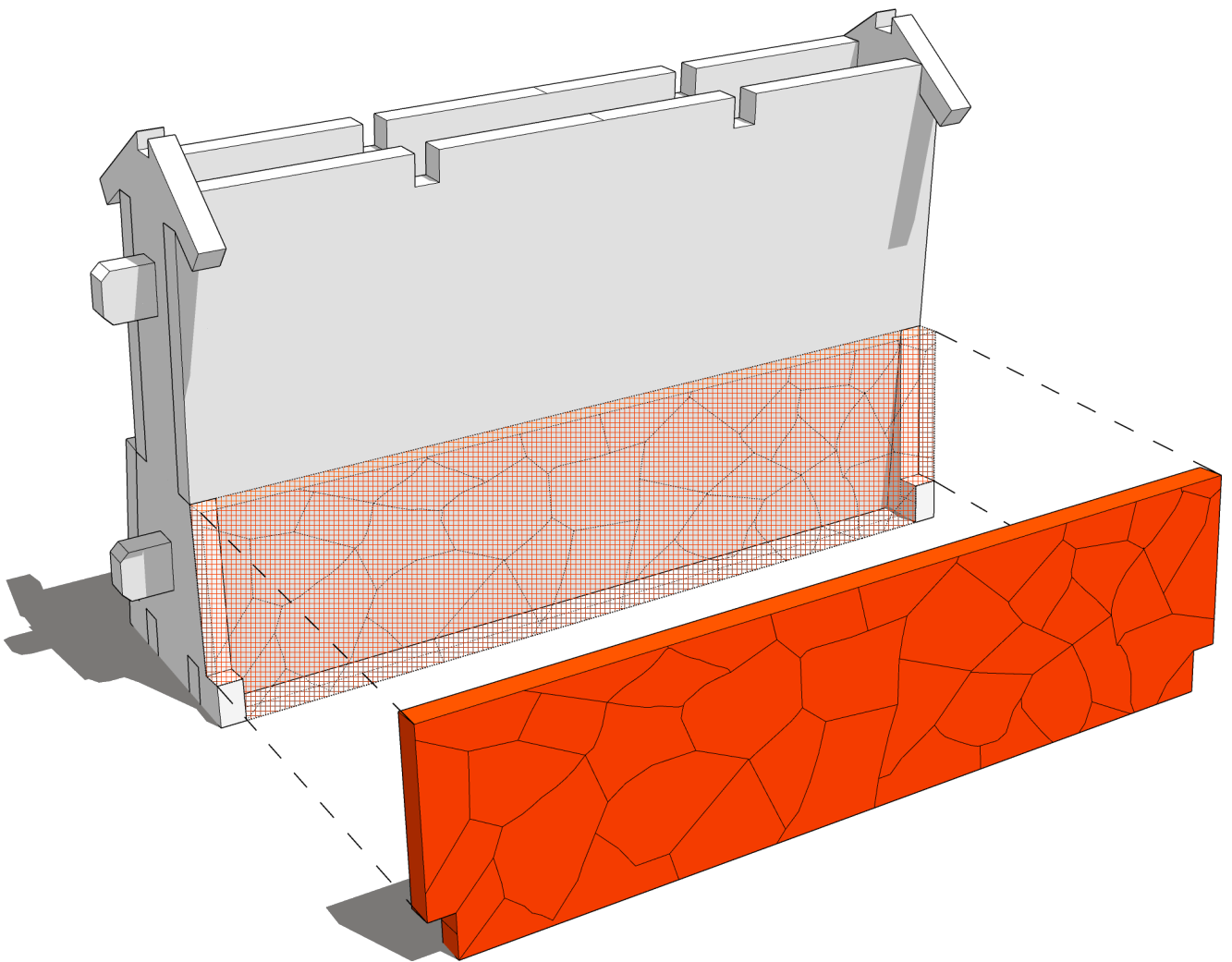




TABLETOP SCENICS

TTSCW-EES-100
Toshi:
Courtyard Walls

29

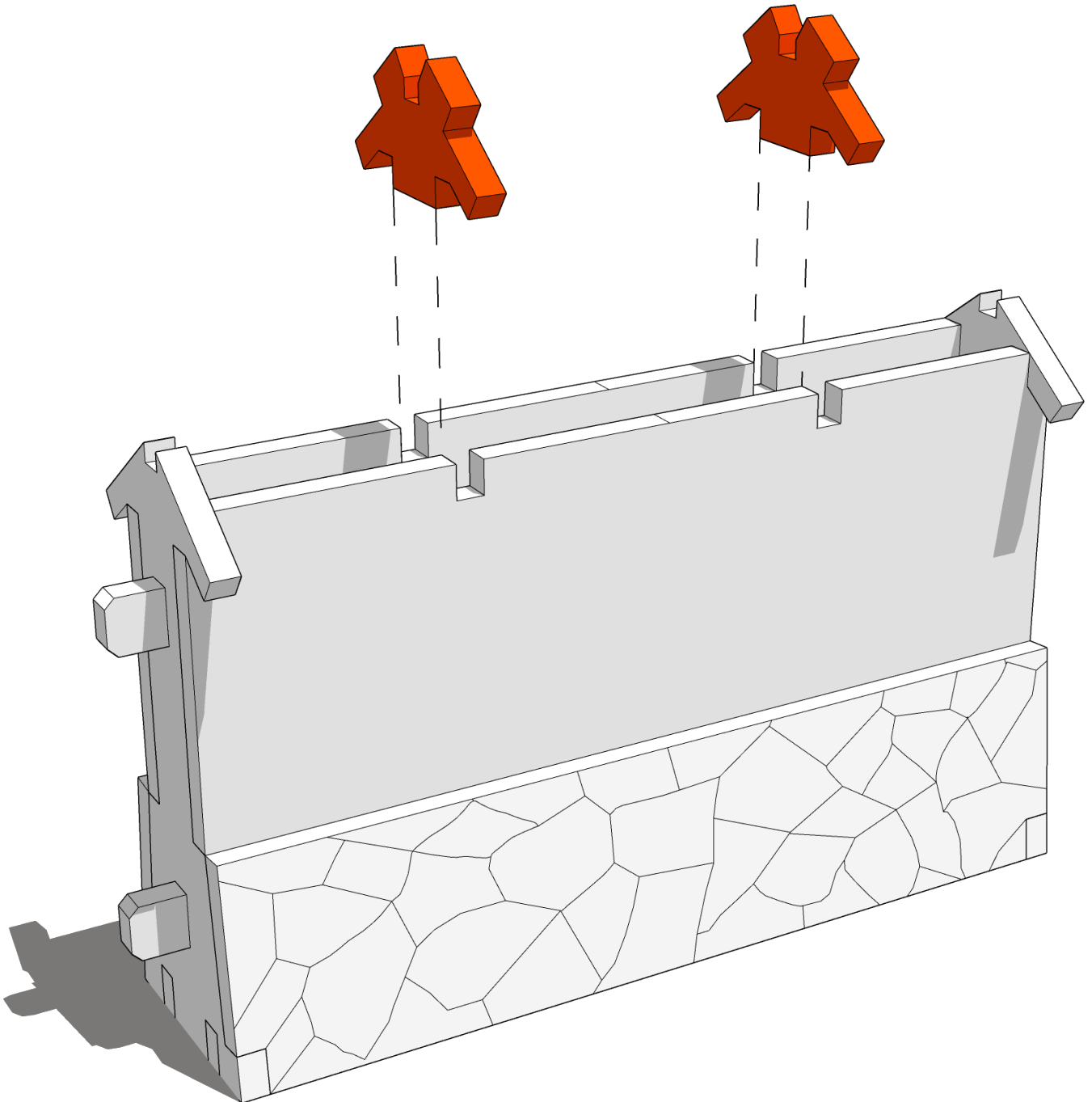




TABLETOP SCENICS

TTSCW-EES-100
Toshi:
Courtyard Walls

30

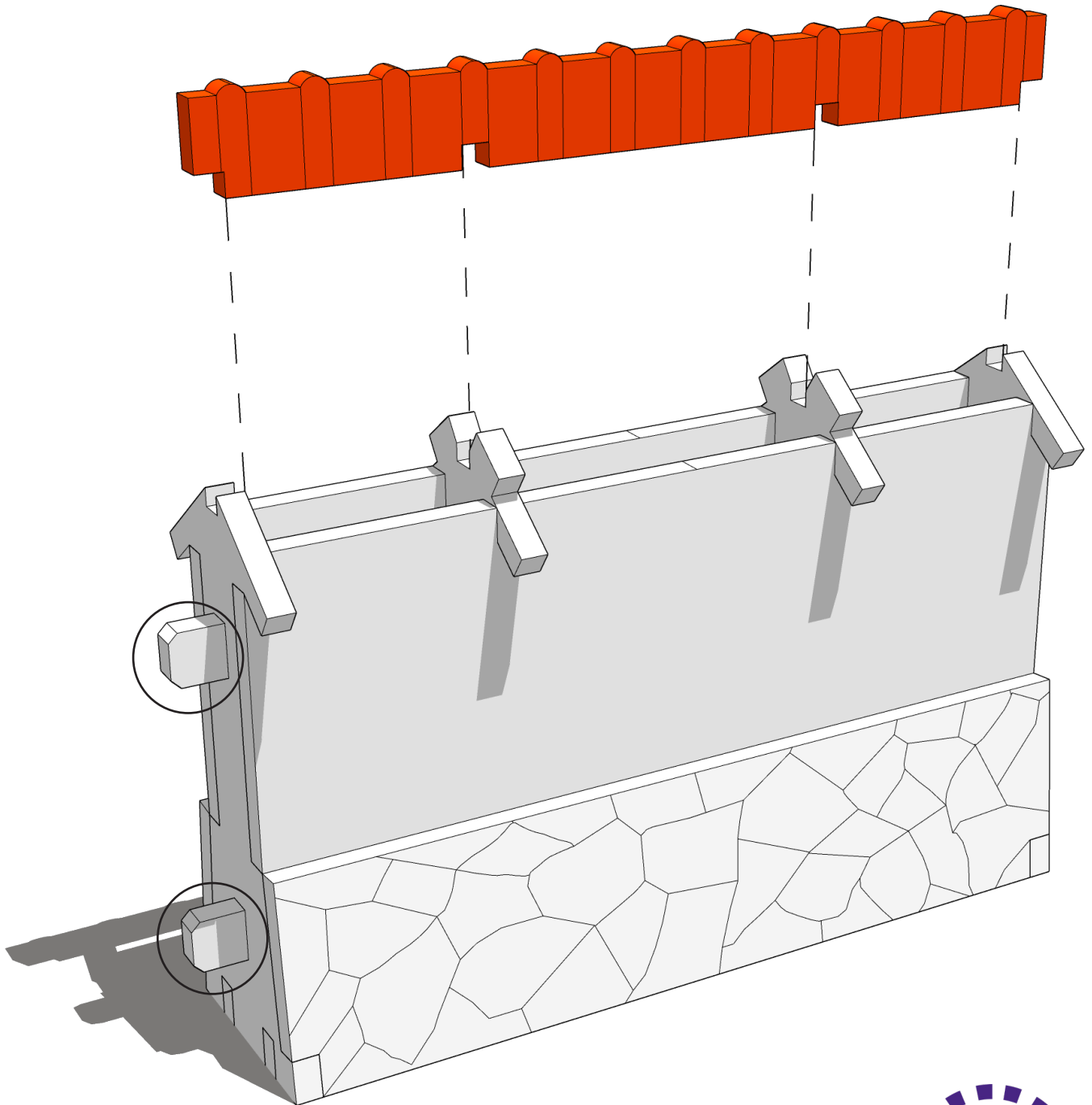




TABLETOP SCENICS

TTSCW-EES-100
Toshi:
Courtyard Walls

31



The highlighted part must match the direction of the circled tabs (left).
This remains constant for all parts throughout the build.



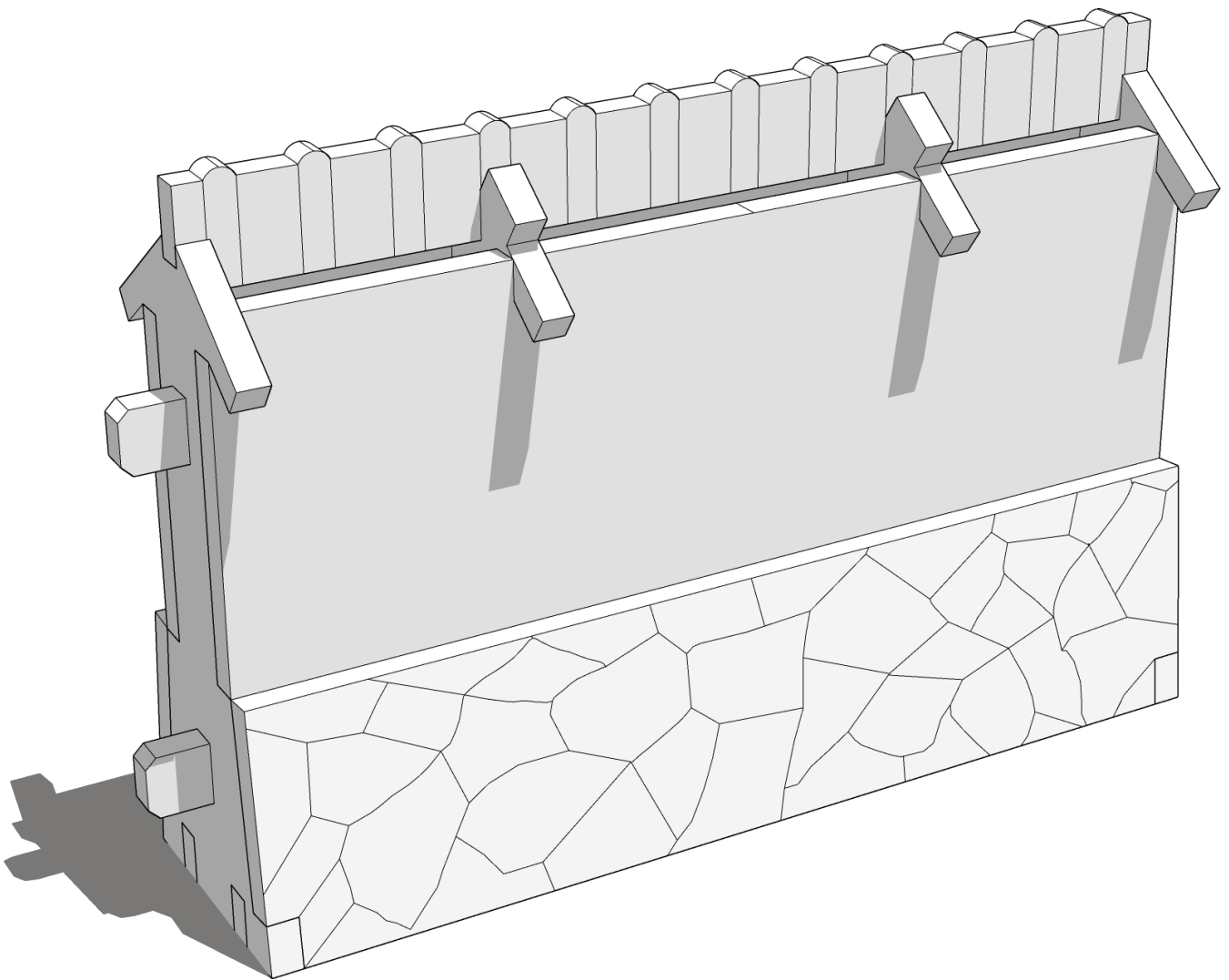
 **TTCOMBAT**



TABLETOP SCENICS

TTSCW-EES-100
Toshi:
Courtyard Walls

32

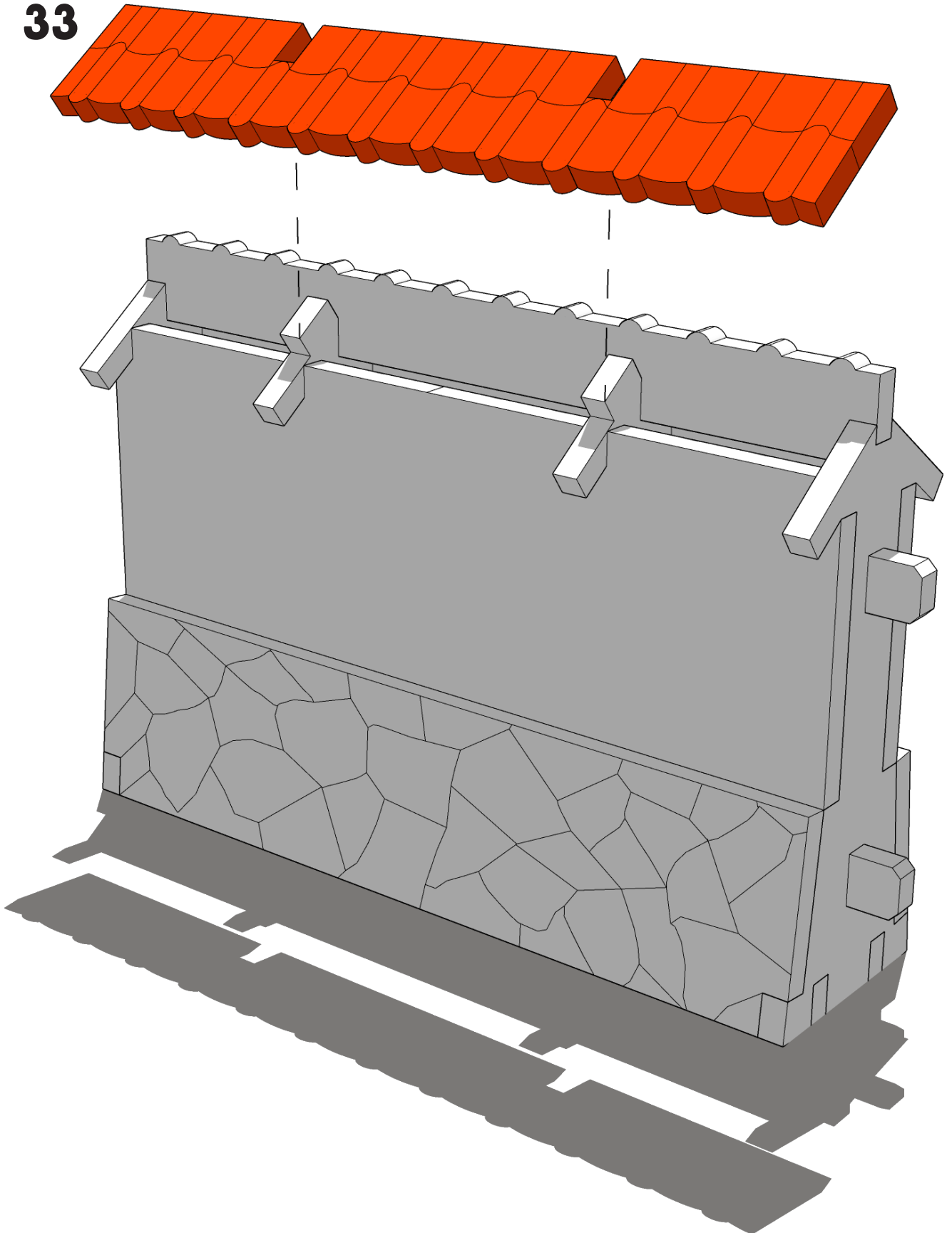




TABLETOP SCENICS

TTSCW-EES-100
Toshi:
Courtyard Walls

33

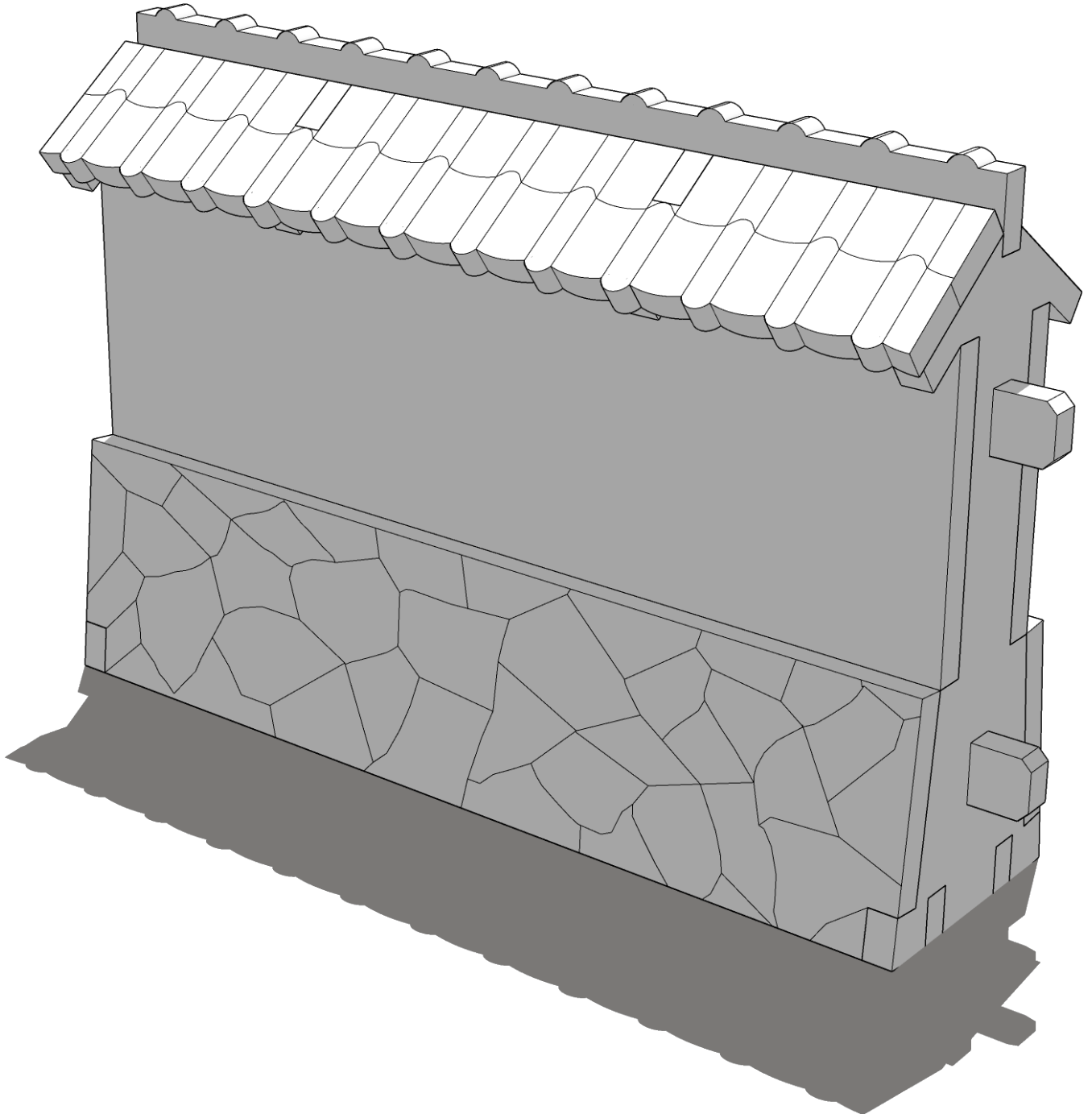




TABLETOP SCENICS

TTSCW-EES-100
Toshi:
Courtyard Walls

34

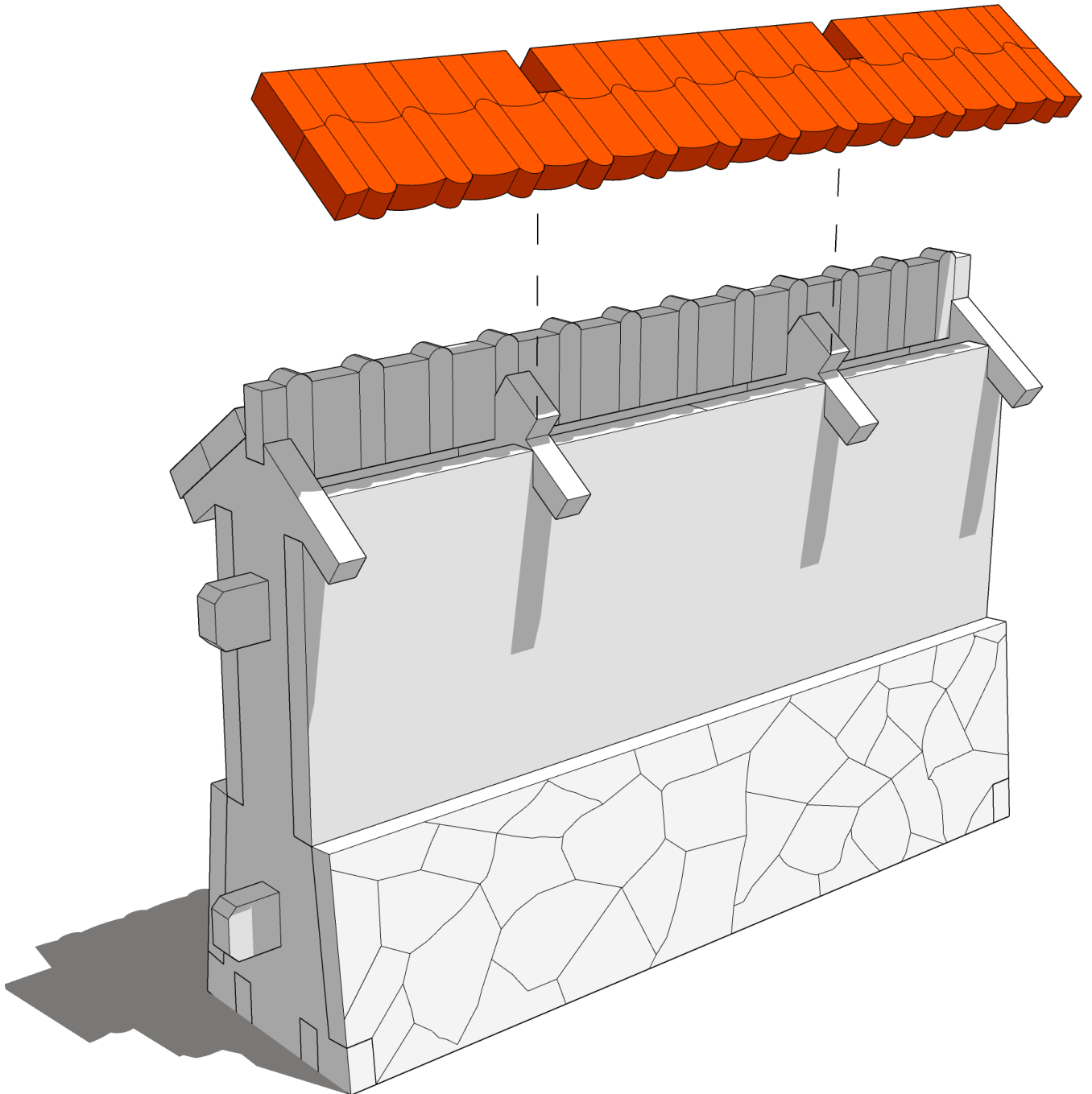




TABLETOP SCENICS

TTSCW-EES-100
Toshi:
Courtyard Walls

35

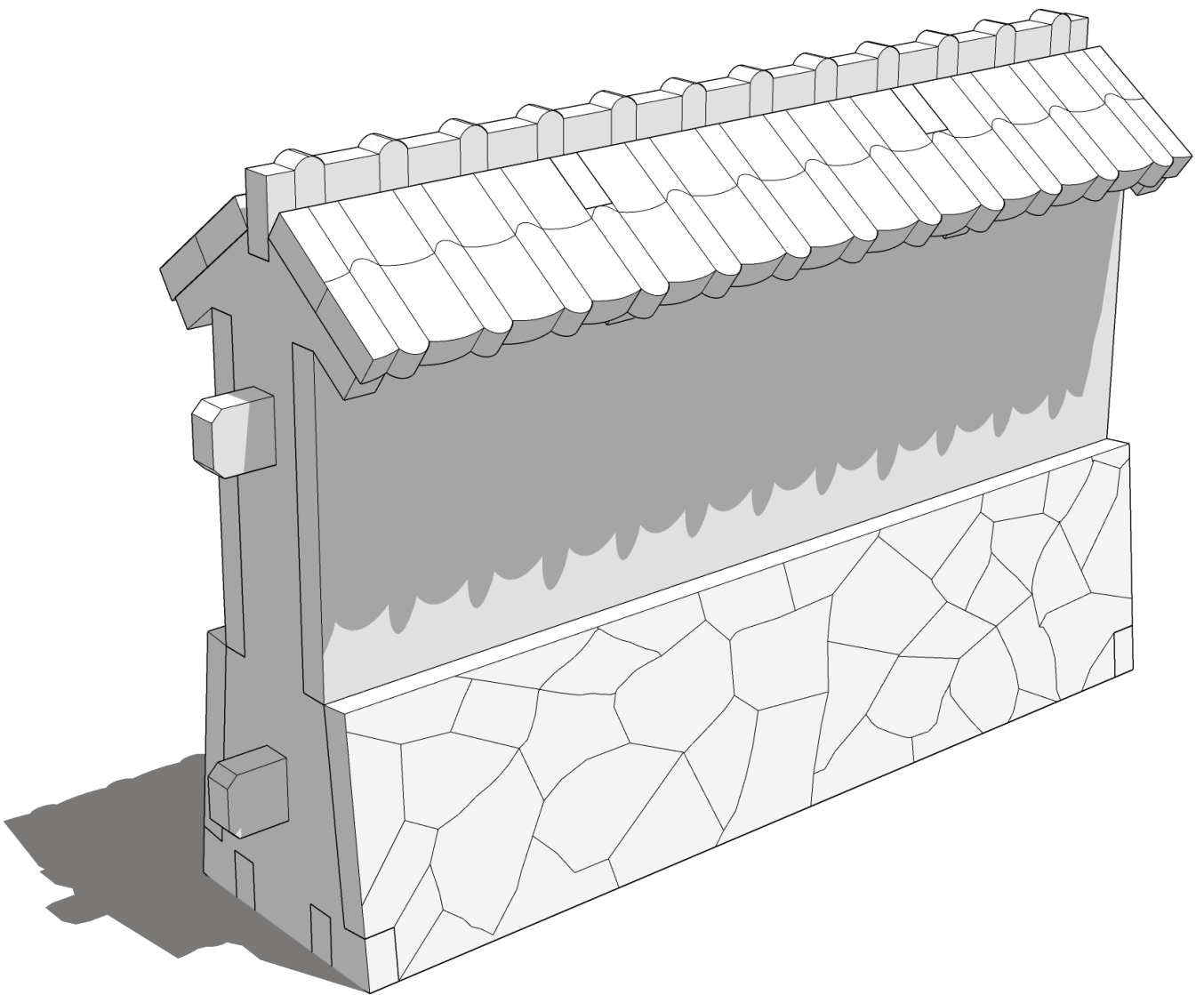




TABLETOP SCENICS

TTSCW-EES-100
Toshi:
Courtyard Walls

36



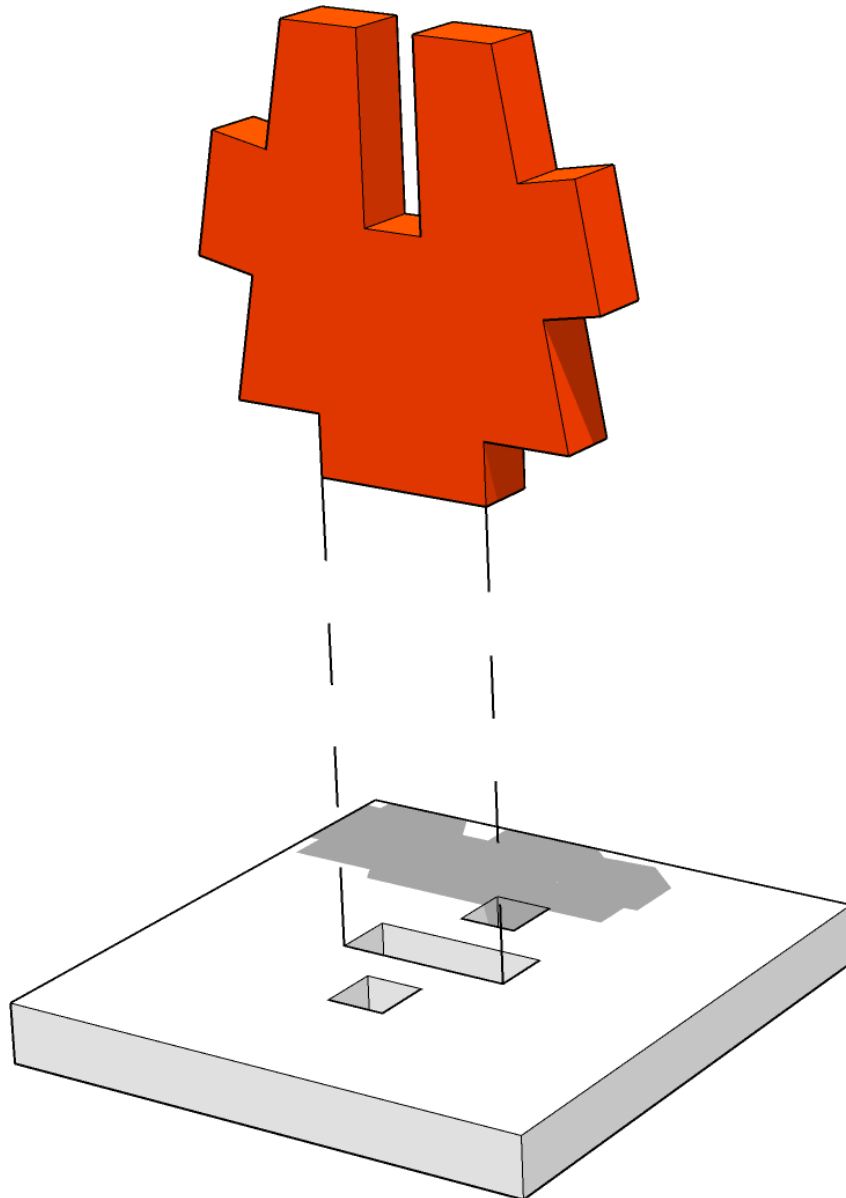
x4



TABLETOP SCENICS

TTSCW-EES-100
Toshi:
Courtyard Walls

37

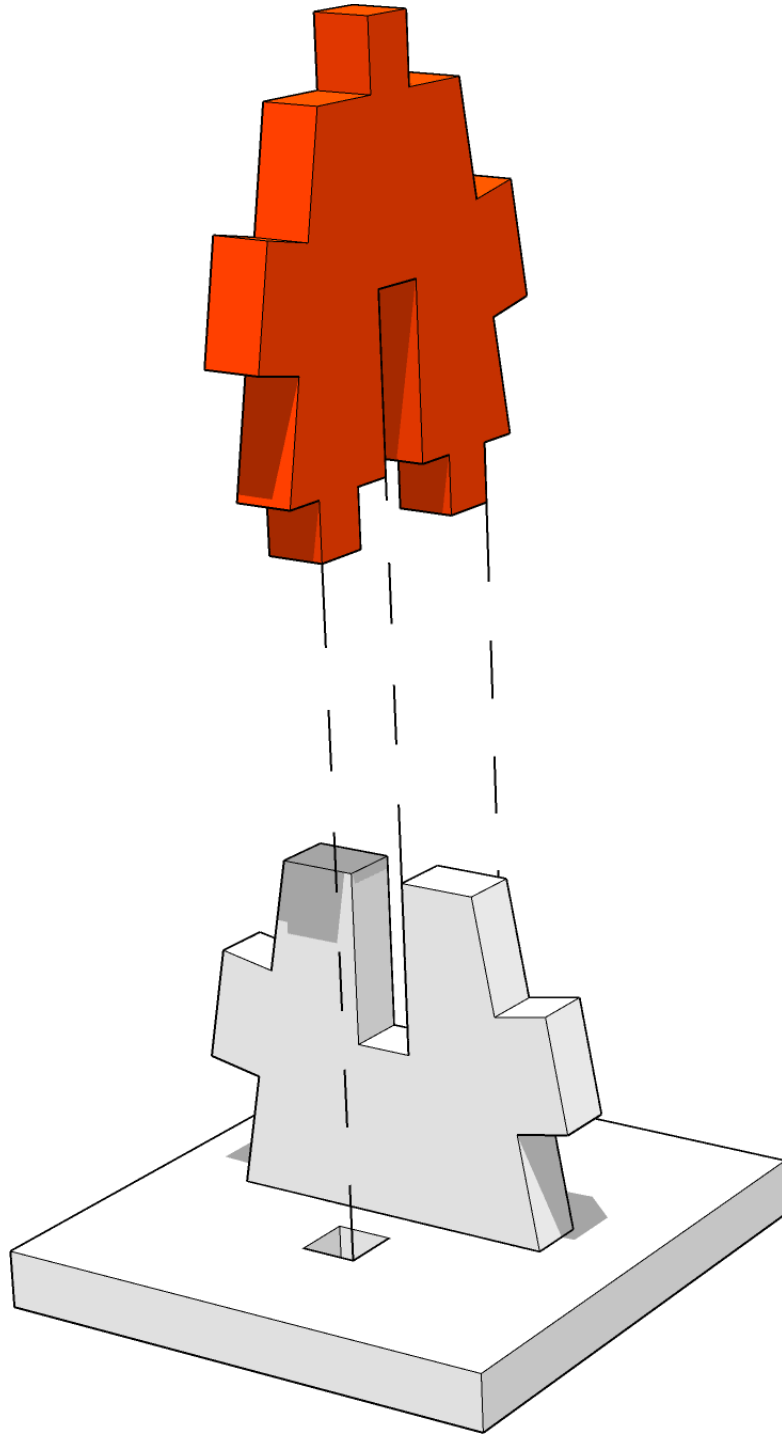




TABLETOP SCENICS

TTSCW-EES-100
Toshi:
Courtyard Walls

38

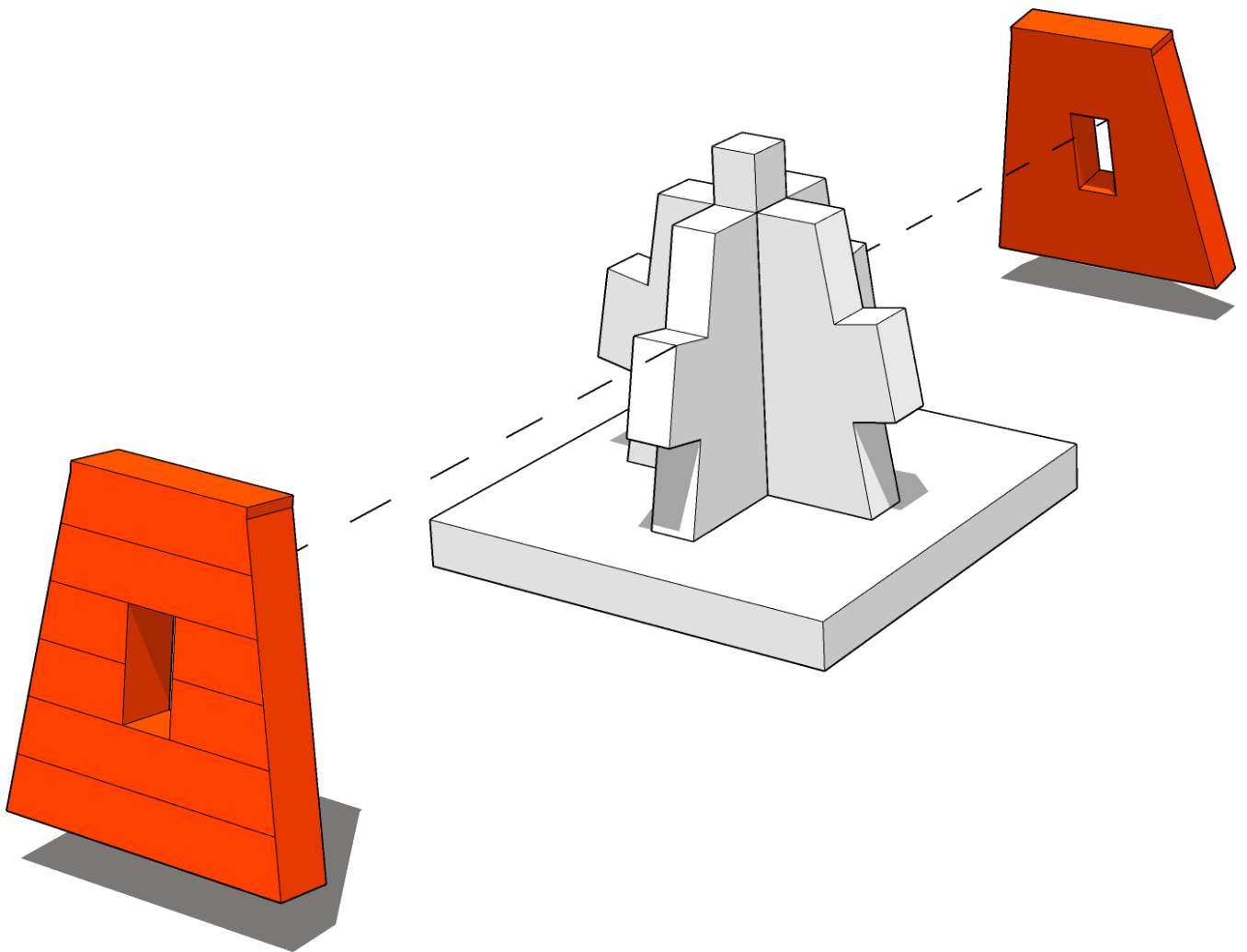




TABLETOP SCENICS

TTSCW-EES-100
Toshi:
Courtyard Walls

39

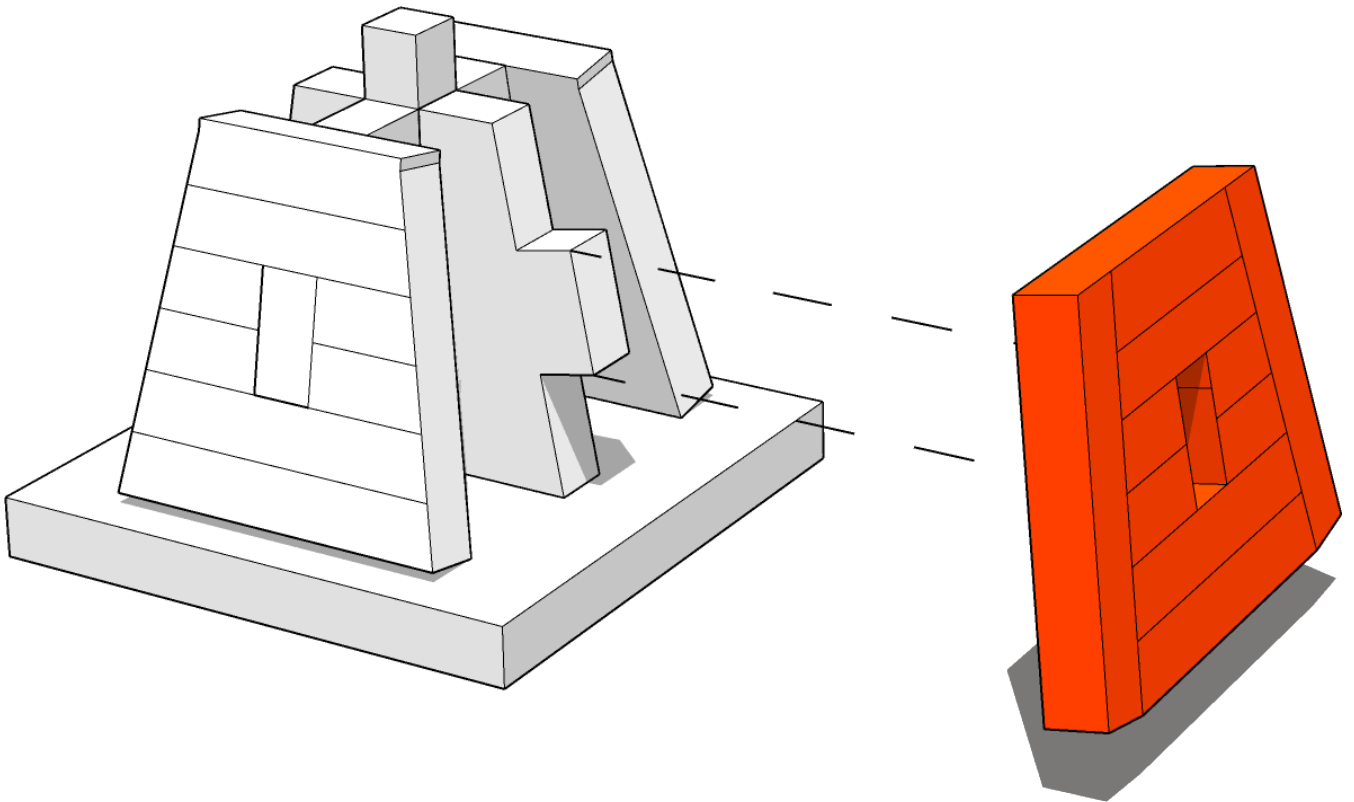




TABLETOP SCENICS

TTSCW-EES-100
Toshi:
Courtyard Walls

40

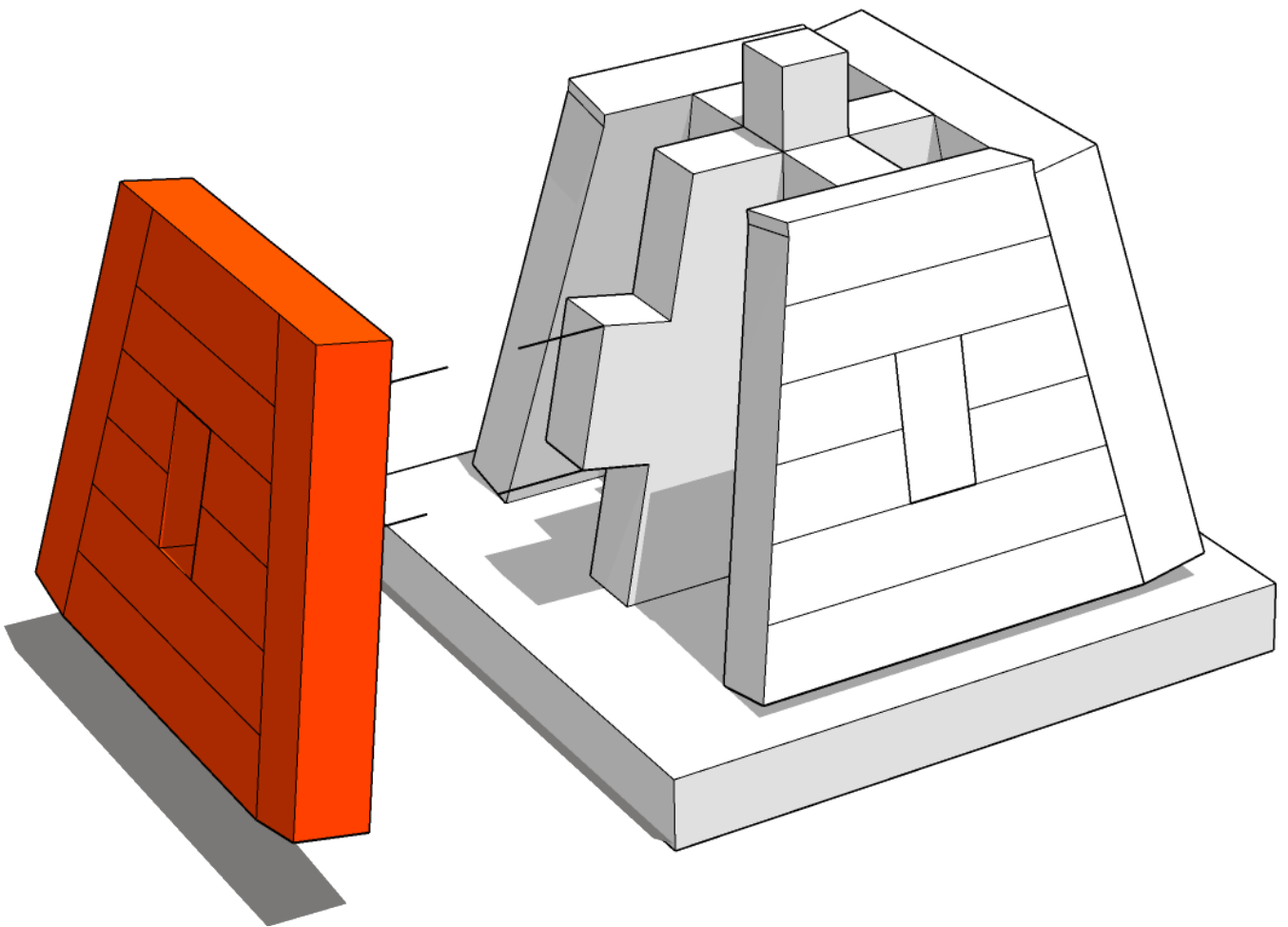




TABLETOP SCENICS

TTSCW-EES-100
Toshi:
Courtyard Walls

41

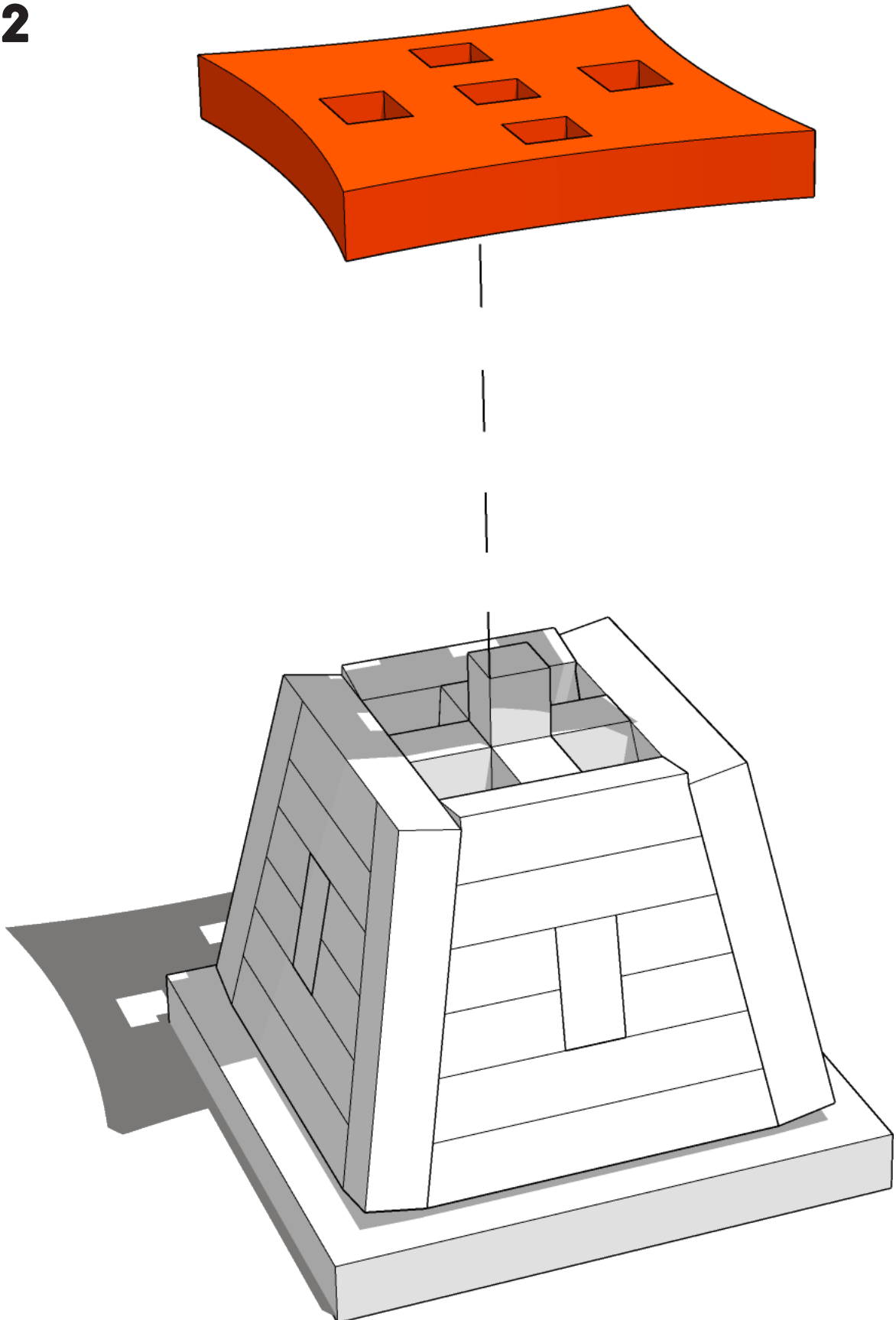




TABLETOP SCENICS

TTSCW-EES-100
Toshi:
Courtyard Walls

42

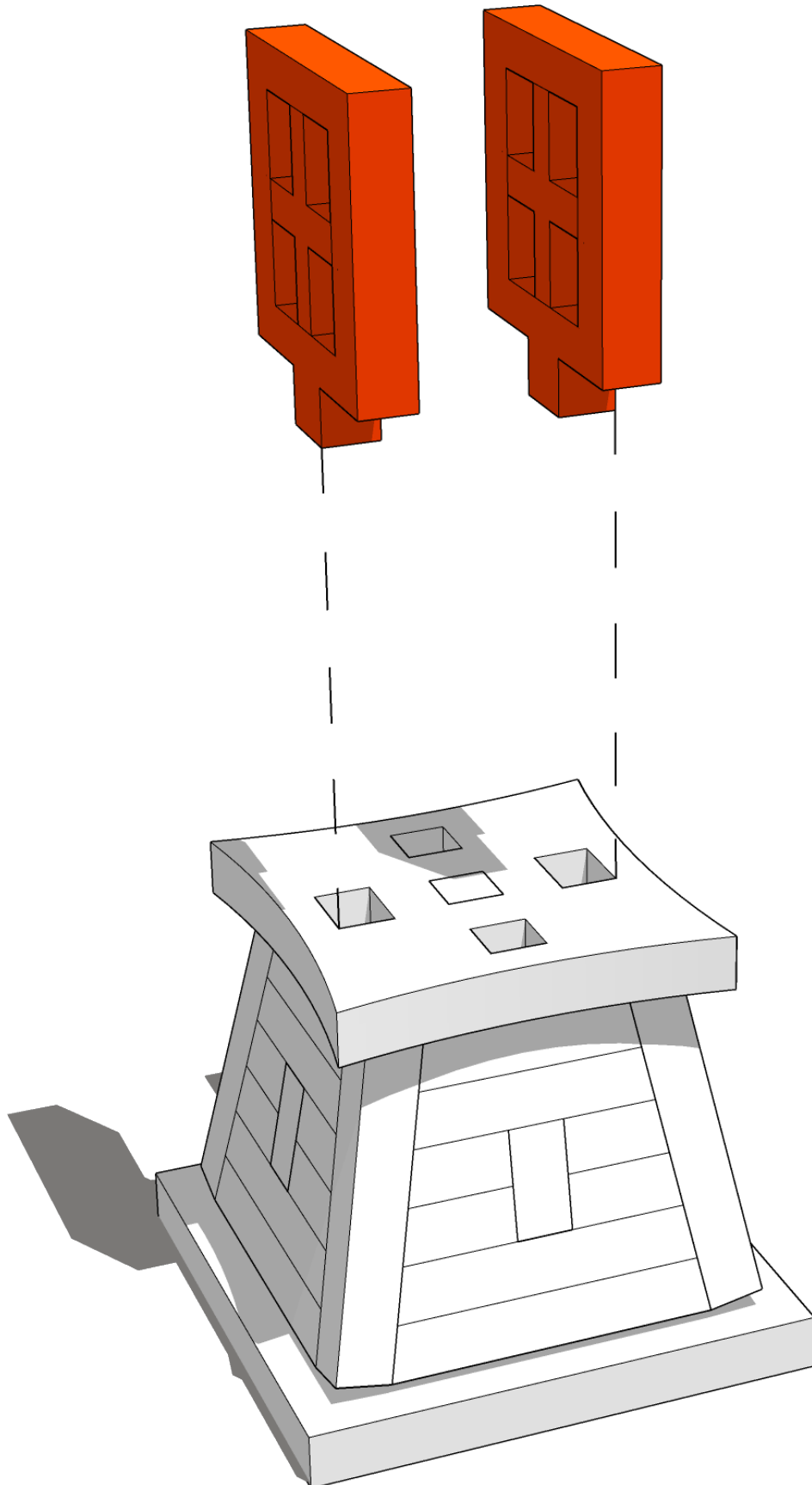




TABLETOP SCENICS

TTSCW-EES-100
Toshi:
Courtyard Walls

43

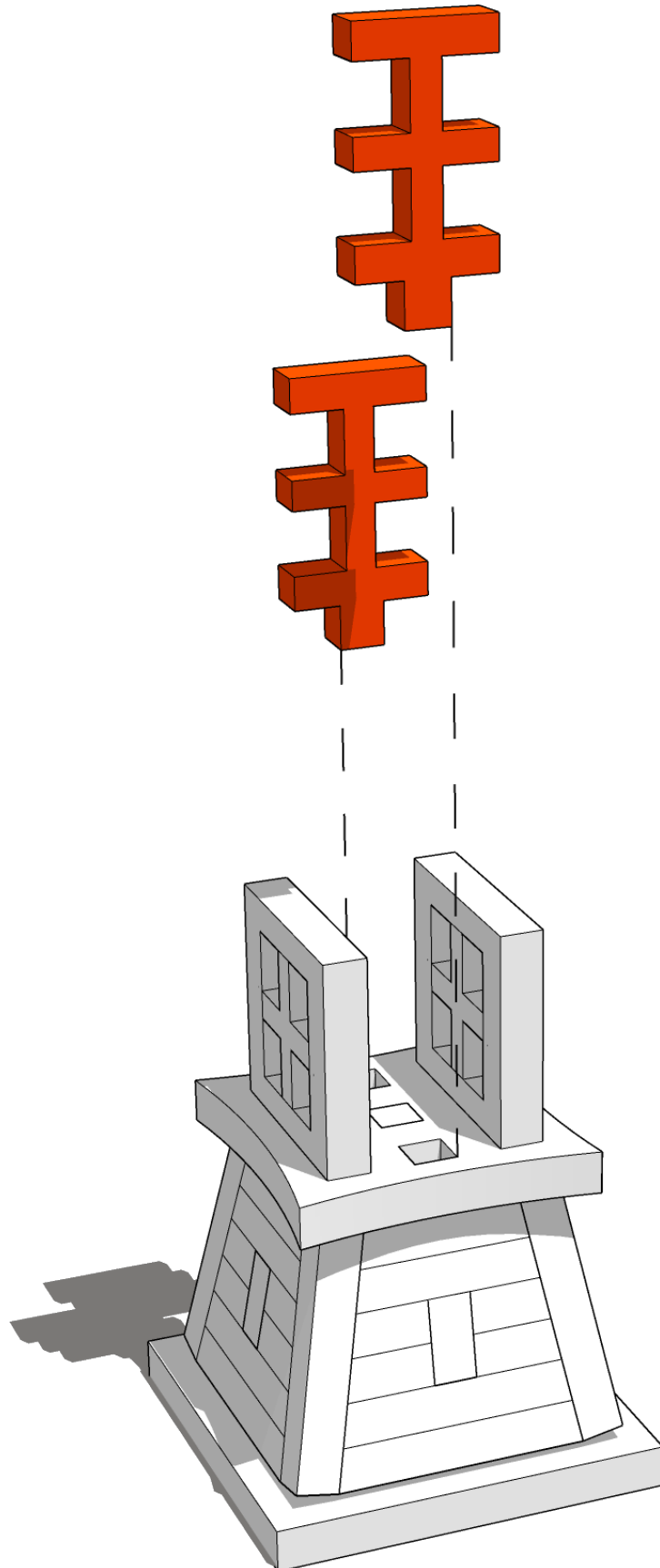




TABLETOP SCENICS

TTSCW-EES-100
Toshi:
Courtyard Walls

44

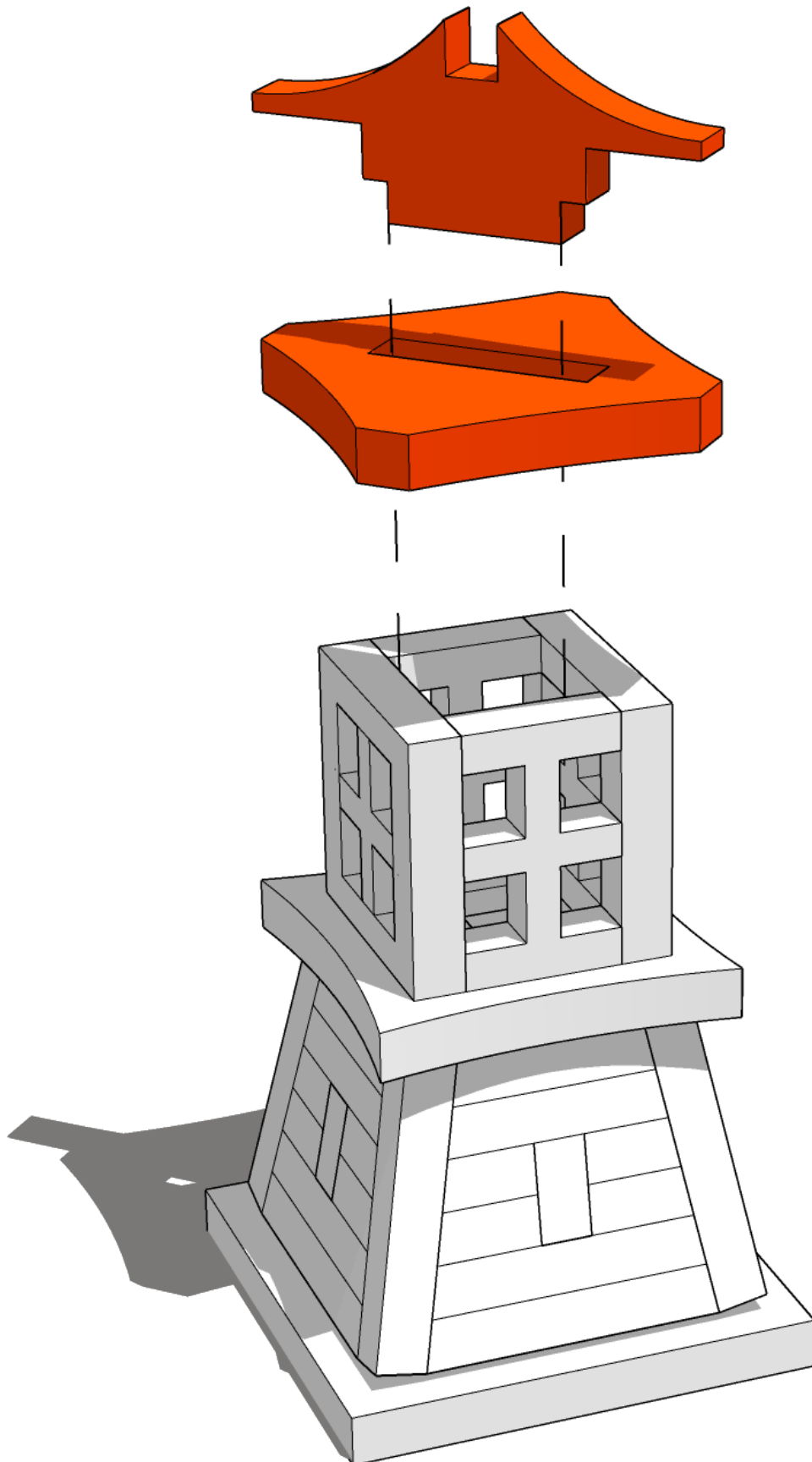




TABLETOP SCENICS

TTSCW-EES-100
Toshi:
Courtyard Walls

45

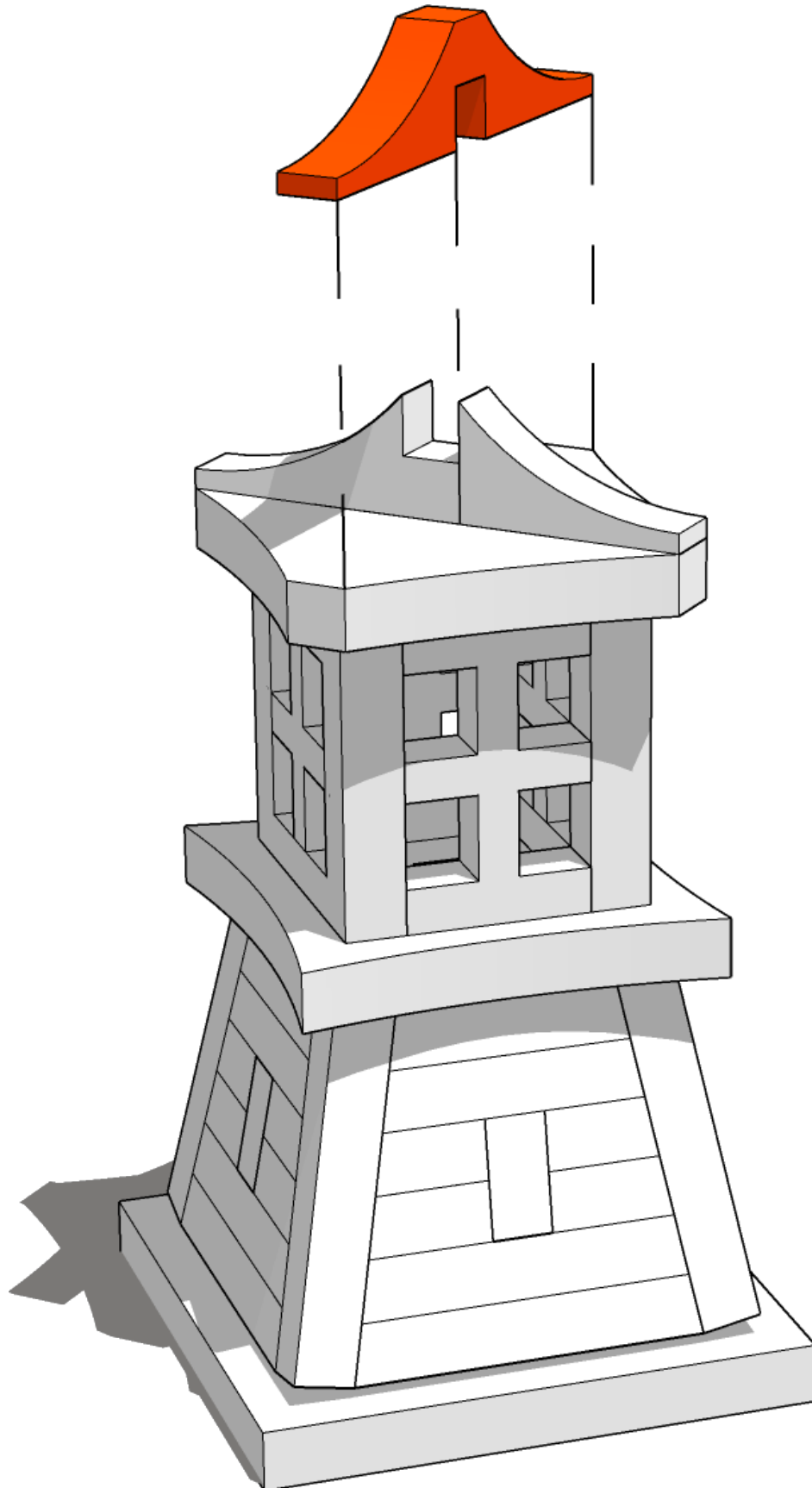




TABLETOP SCENICS

TTSCW-EES-100
Toshi:
Courtyard Walls

46

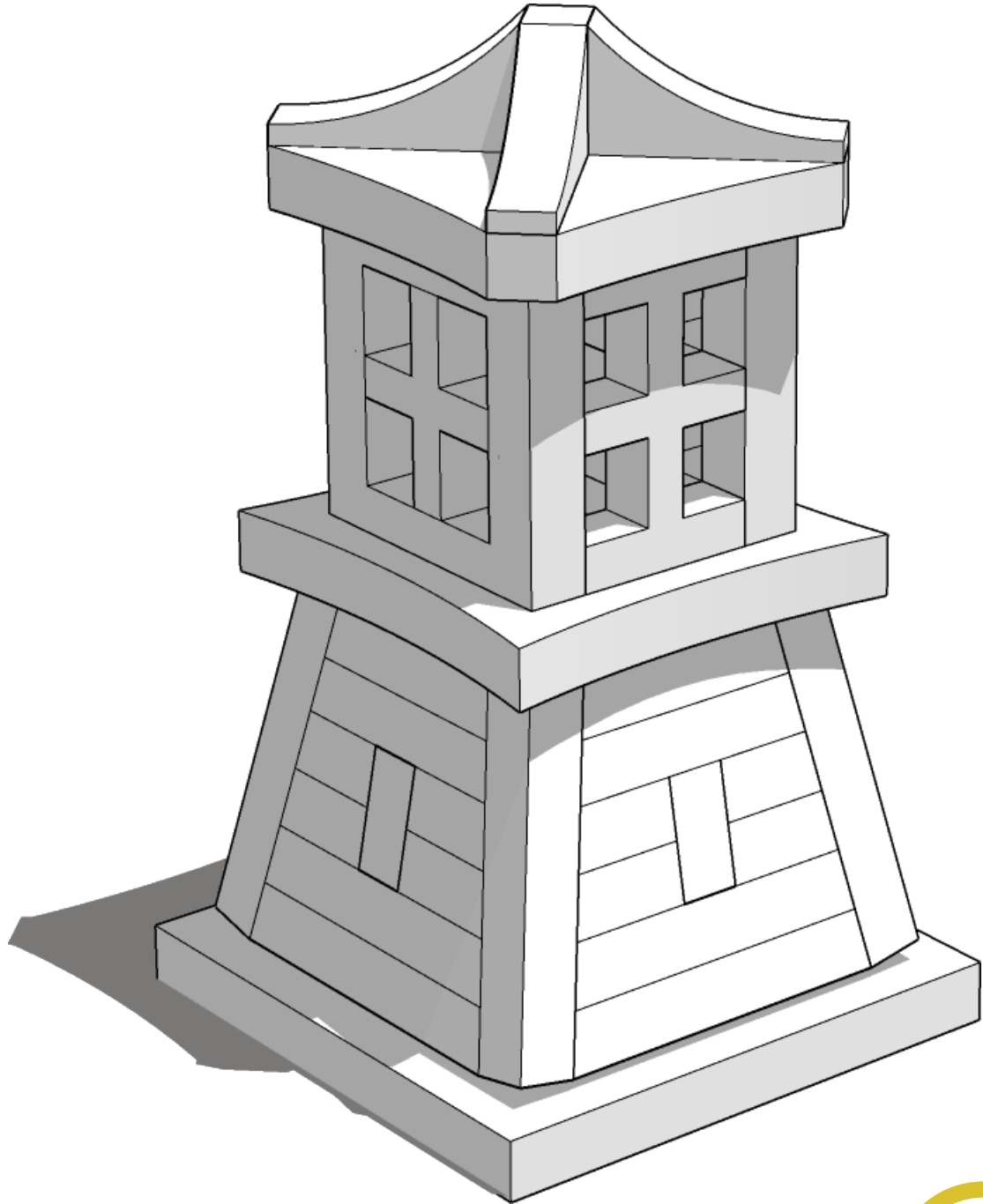




TABLETOP SCENICS

TTSCW-EES-100
Toshi:
Courtyard Walls

47



x2

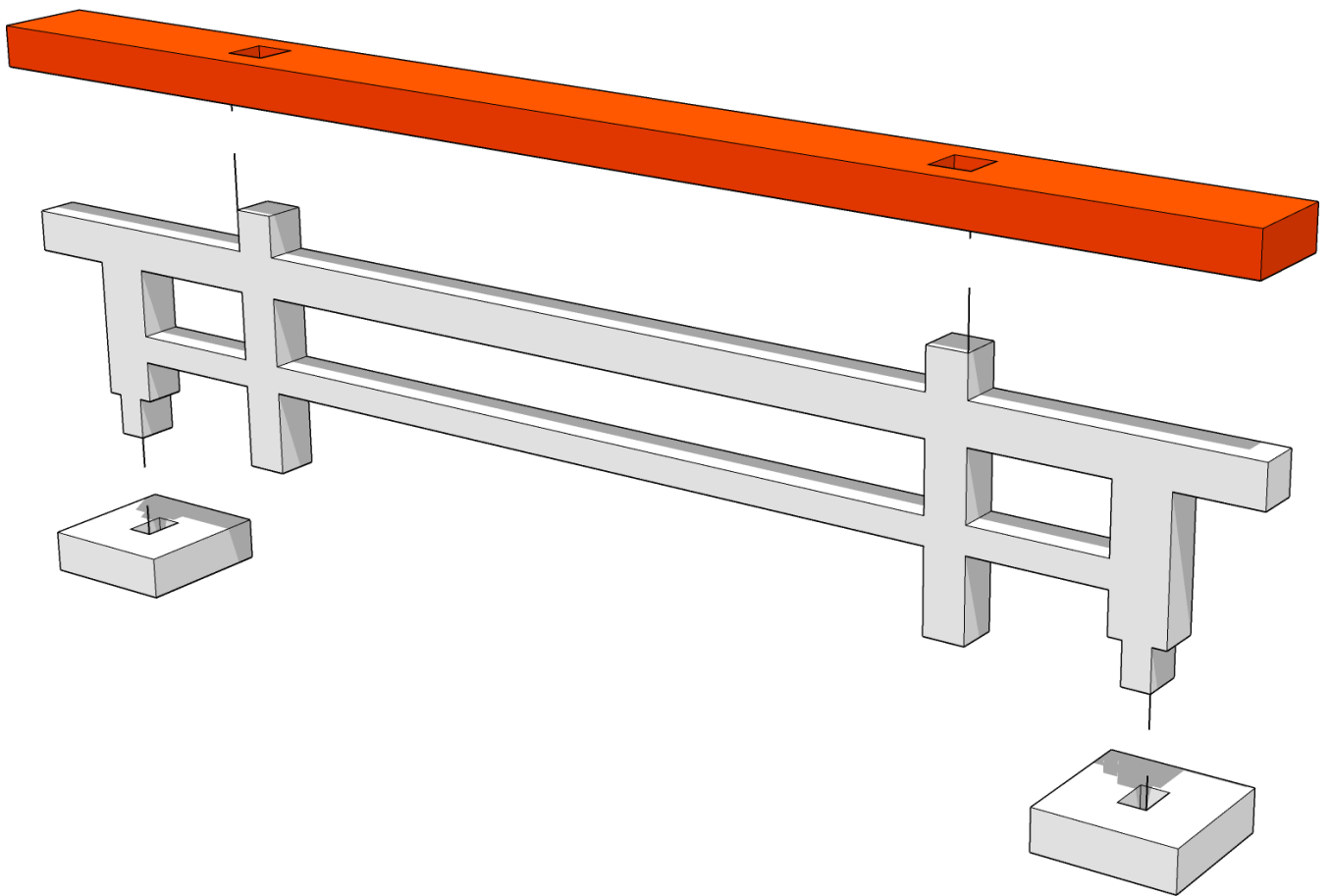
 TTCOMBAT



TABLETOP SCENICS

TTSCW-EES-100
Toshi:
Courtyard Walls

48

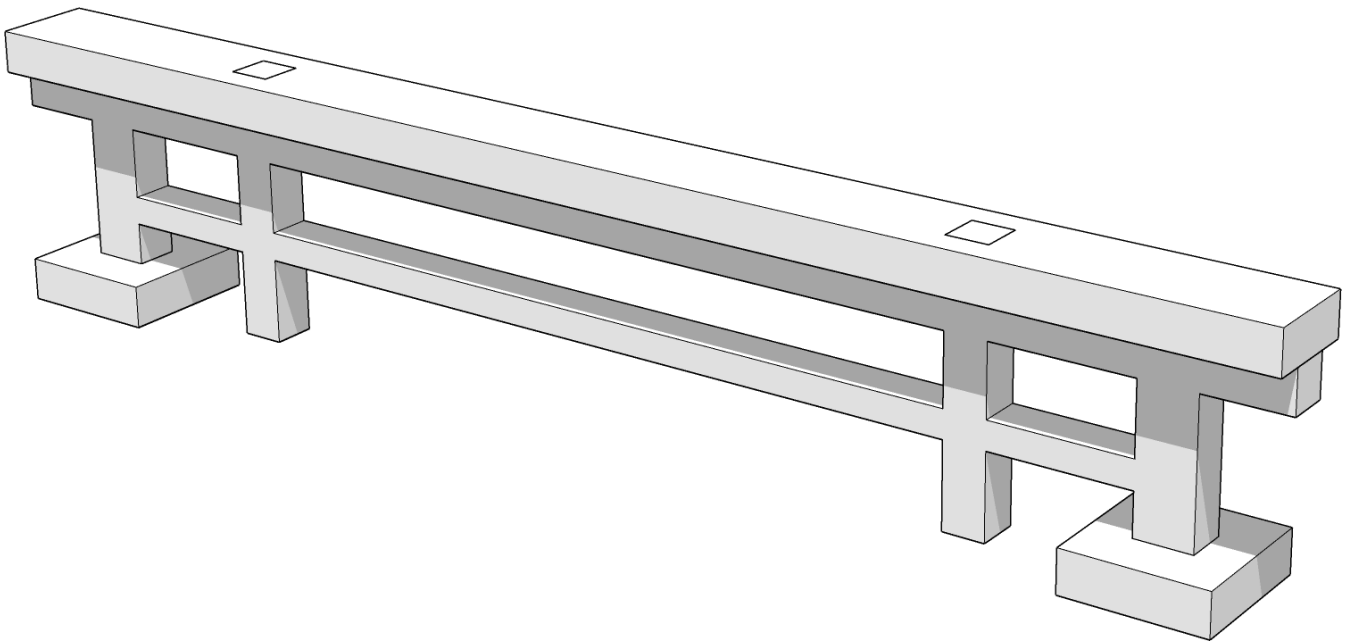




TABLETOP SCENICS

TTSCW-EES-100
Toshi:
Courtyard Walls

49



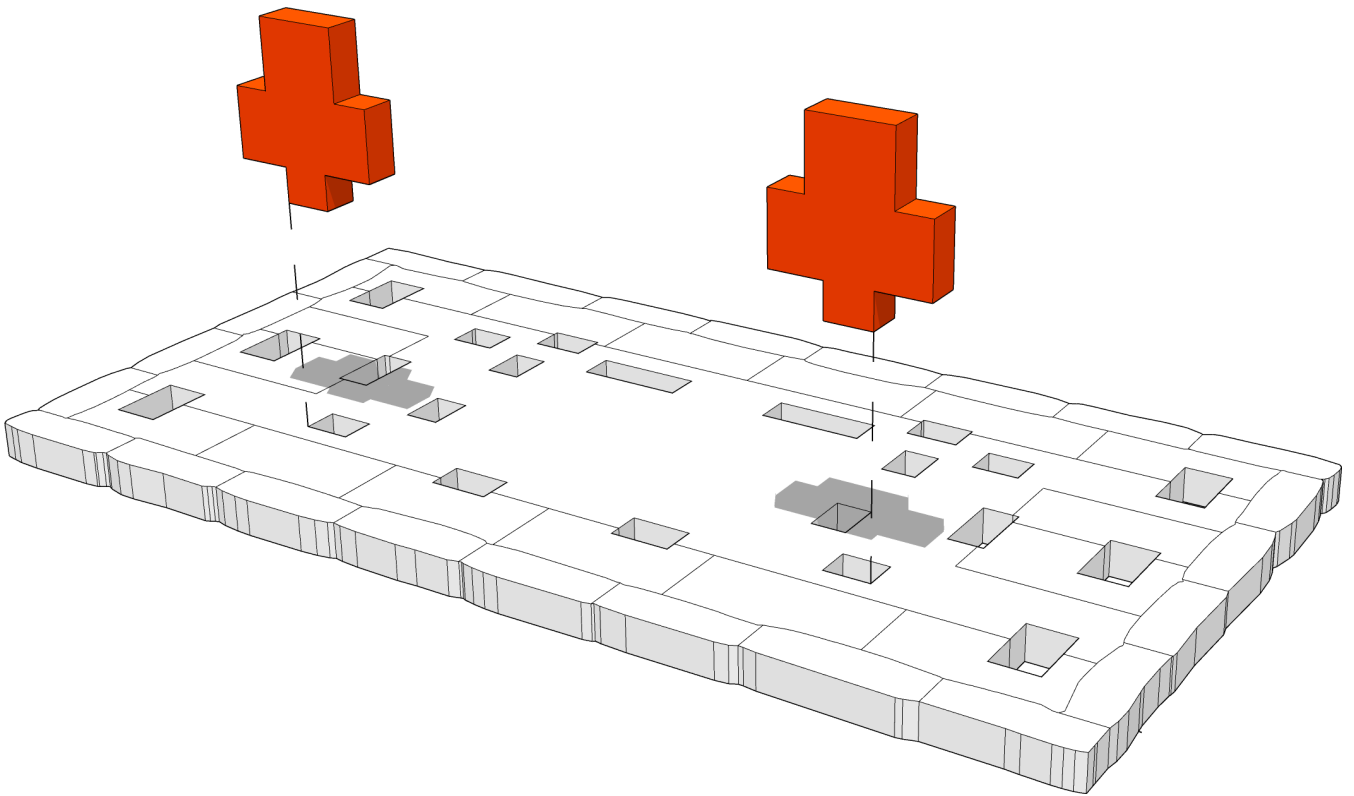
x2



TABLETOP SCENICS

TTSCW-EES-100
Toshi:
Courtyard Walls

50

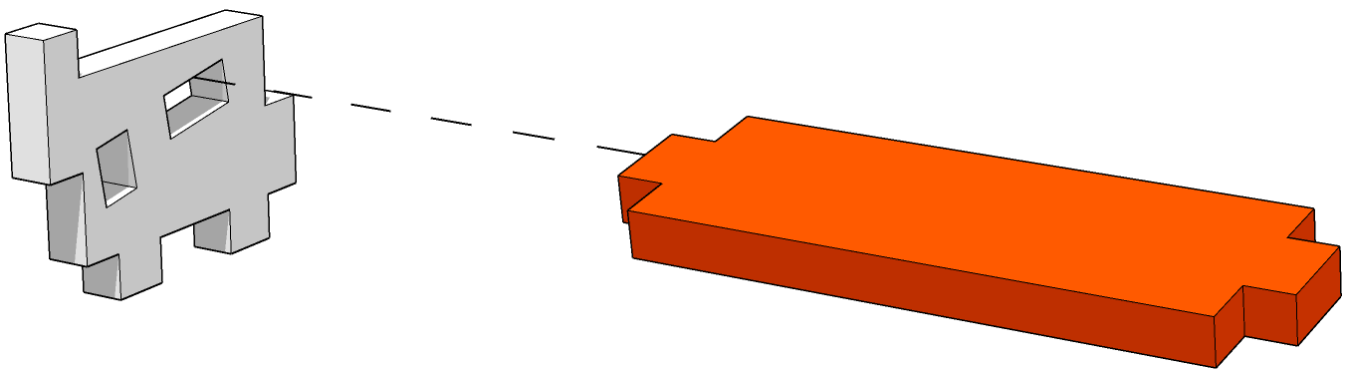




TABLETOP SCENICS

TTSCW-EES-100
Toshi:
Courtyard Walls

51

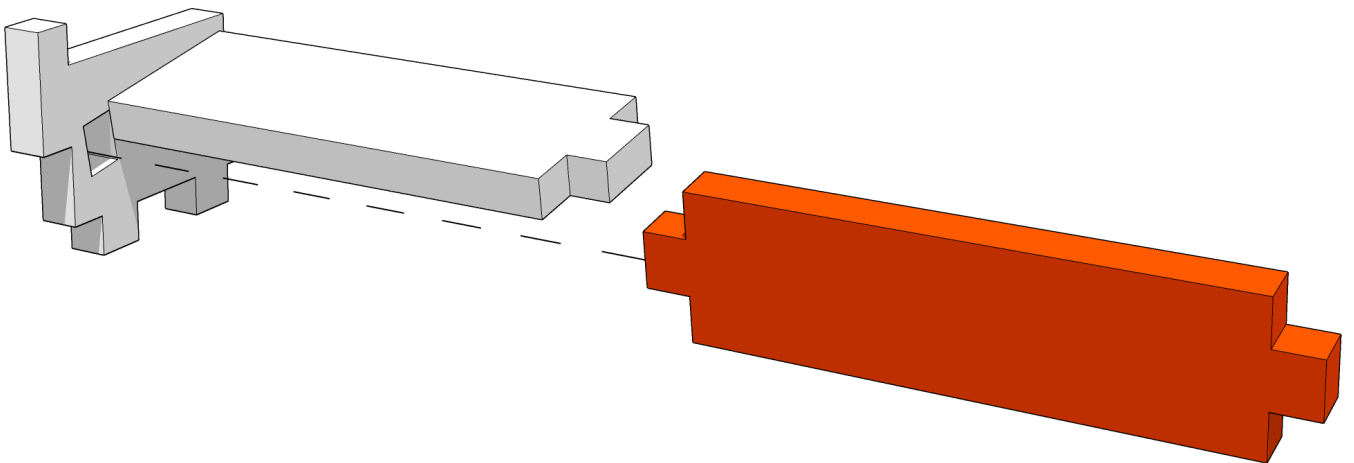




TABLETOP SCENICS

TTSCW-EES-100
Toshi:
Courtyard Walls

52

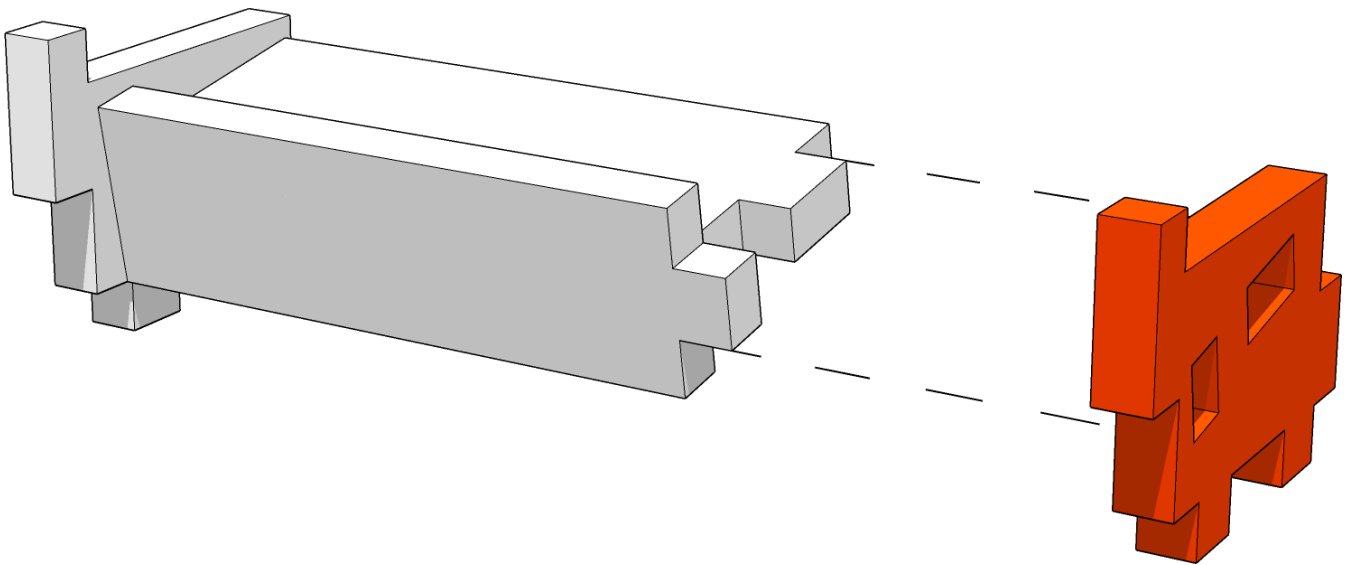




TABLETOP SCENICS

TTSCW-EES-100
Toshi:
Courtyard Walls

53

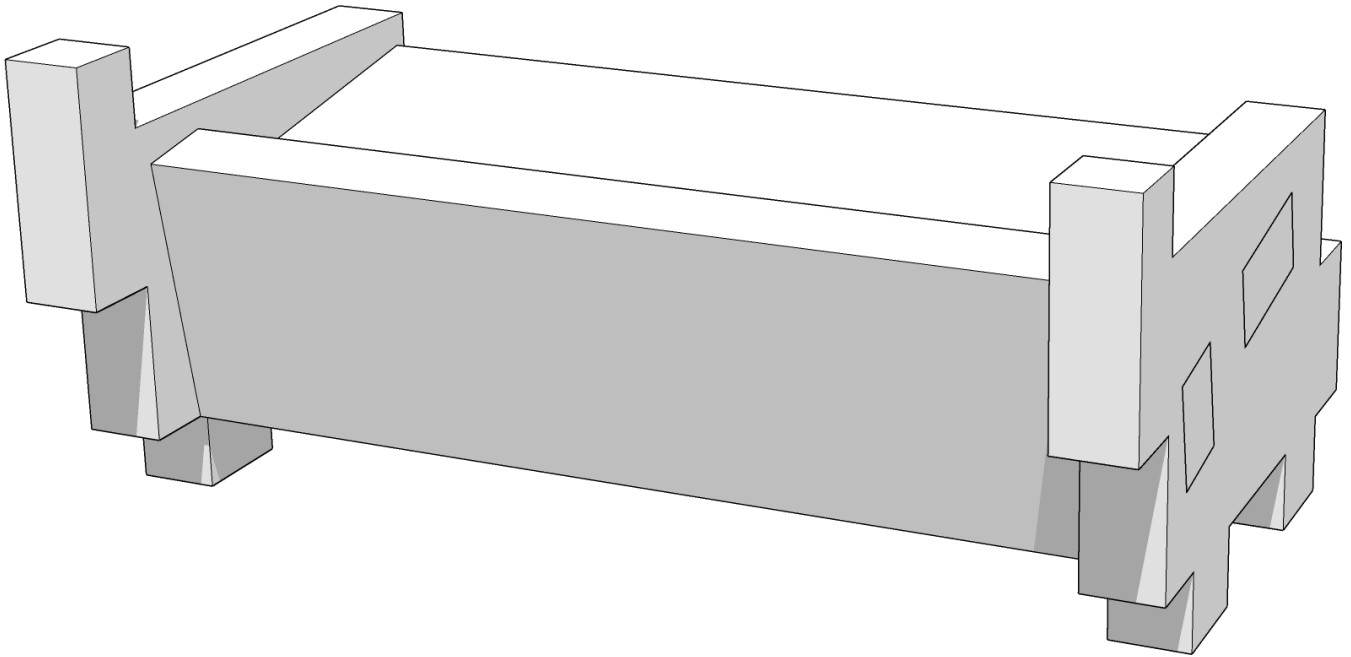




TABLETOP SCENICS

TTSCW-EES-100
Toshi:
Courtyard Walls

54

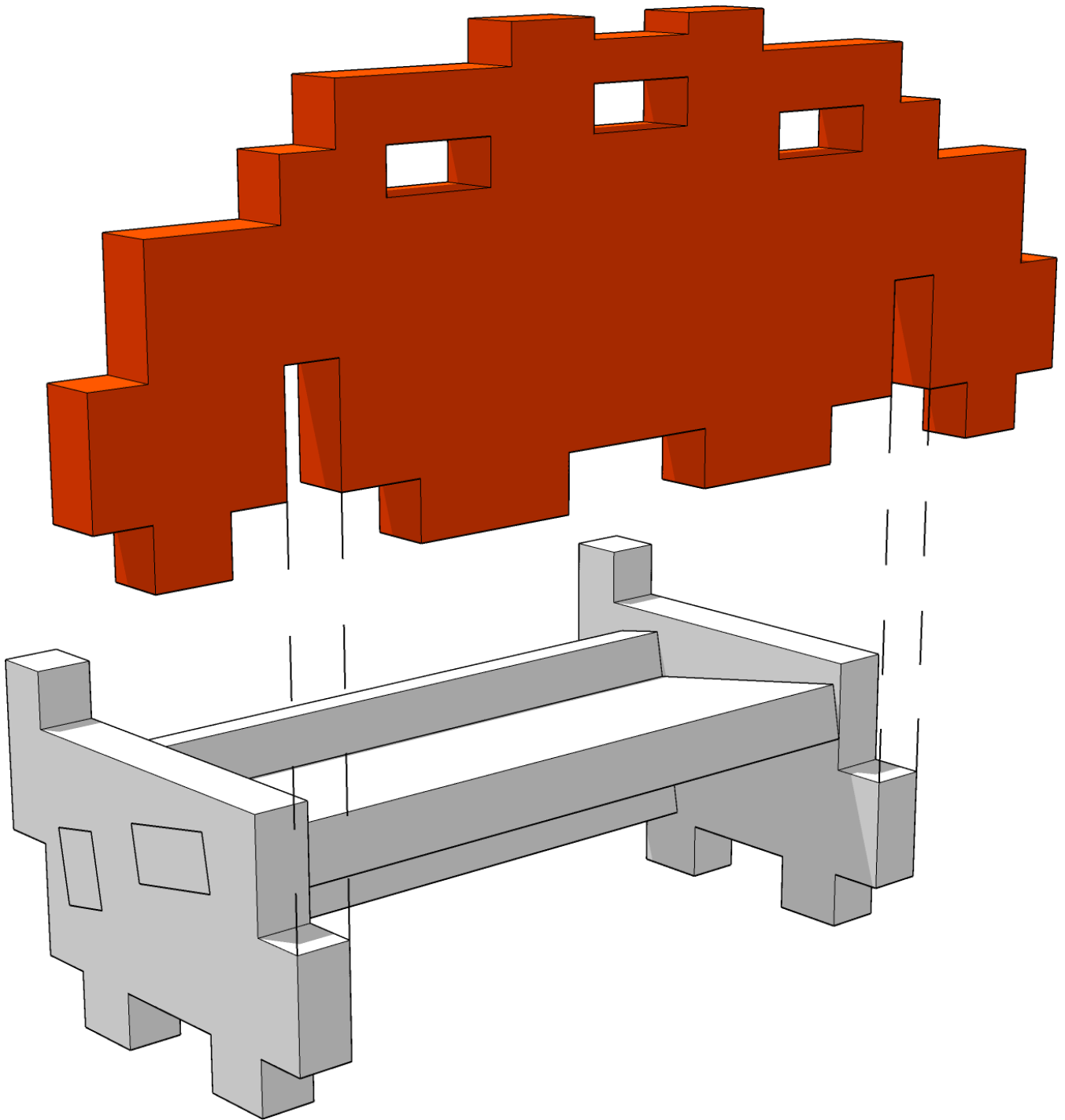




TABLETOP SCENICS

TTSCW-EES-100
Toshi:
Courtyard Walls

55

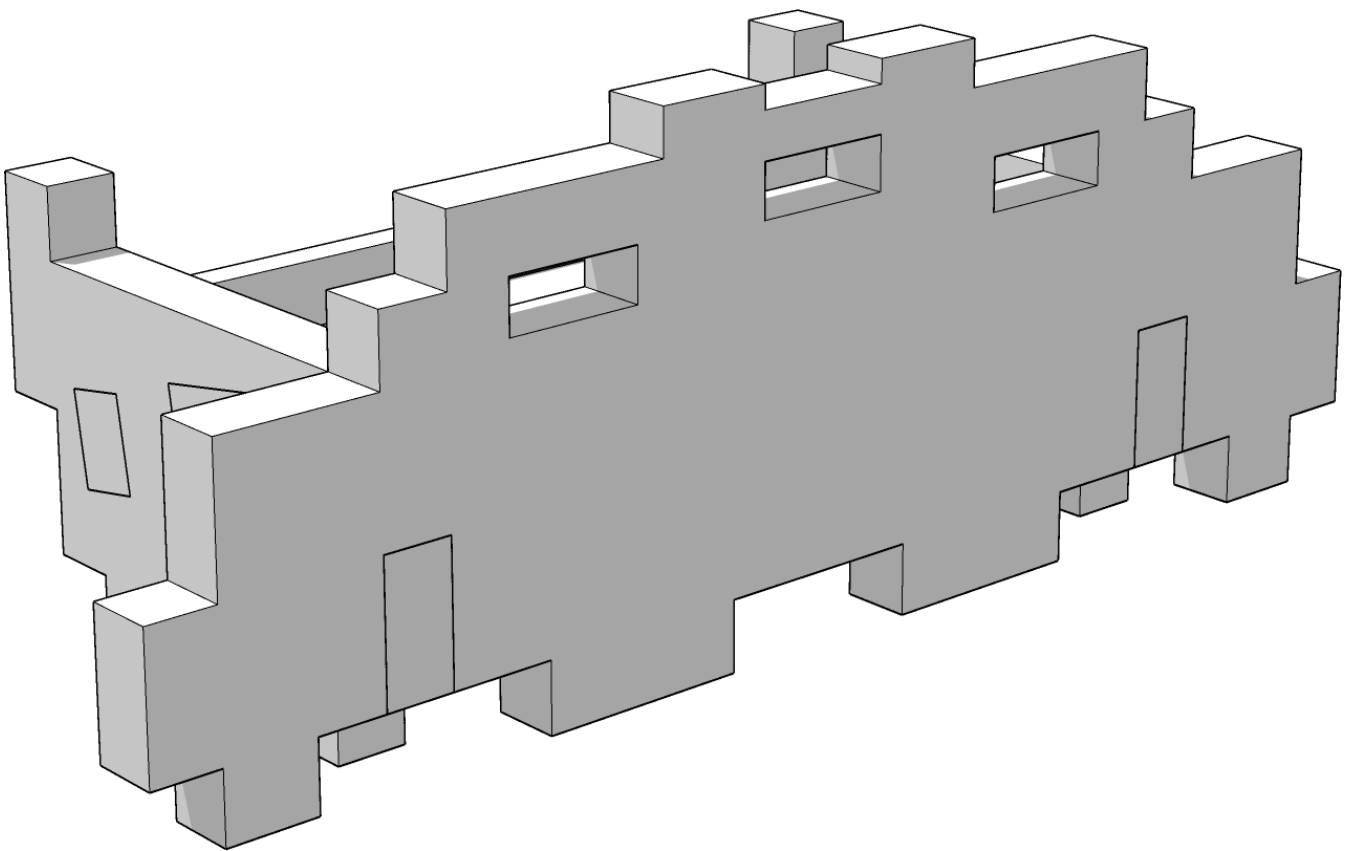




TABLETOP SCENICS

TTSCW-EES-100
Toshi:
Courtyard Walls

56

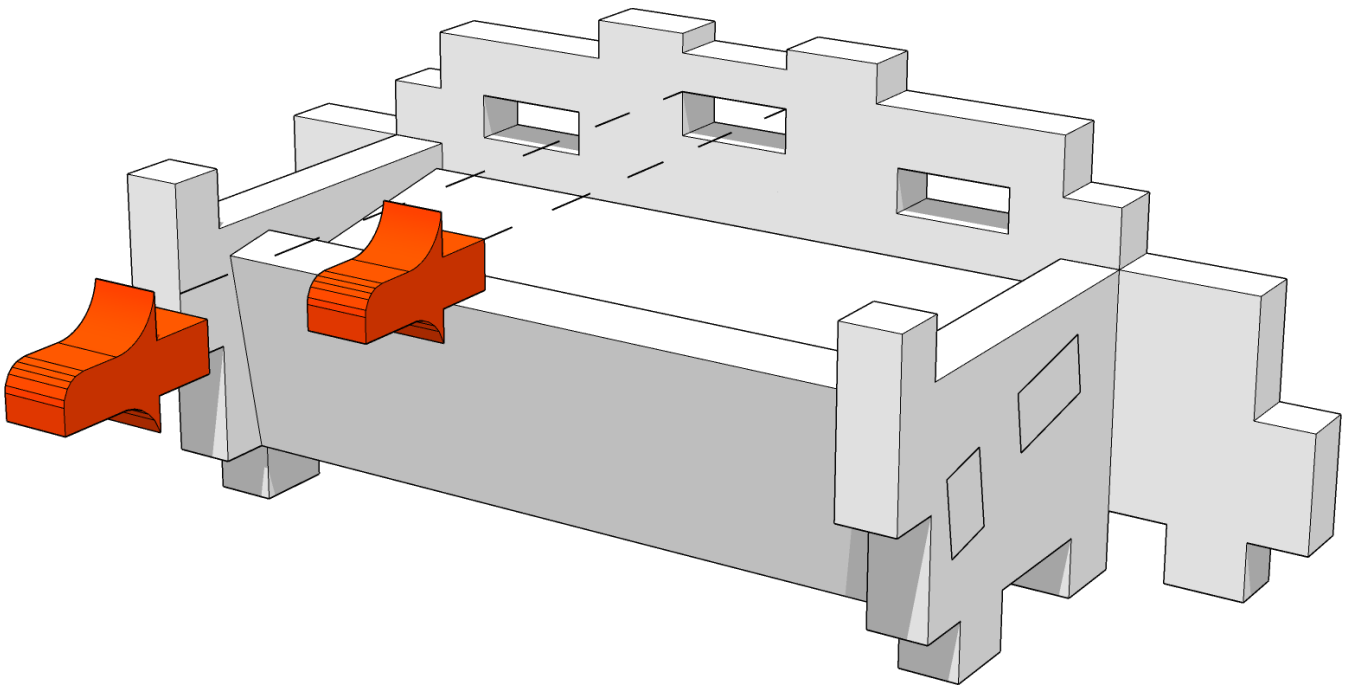




TABLETOP SCENICS

TTSCW-EES-100
Toshi:
Courtyard Walls

57

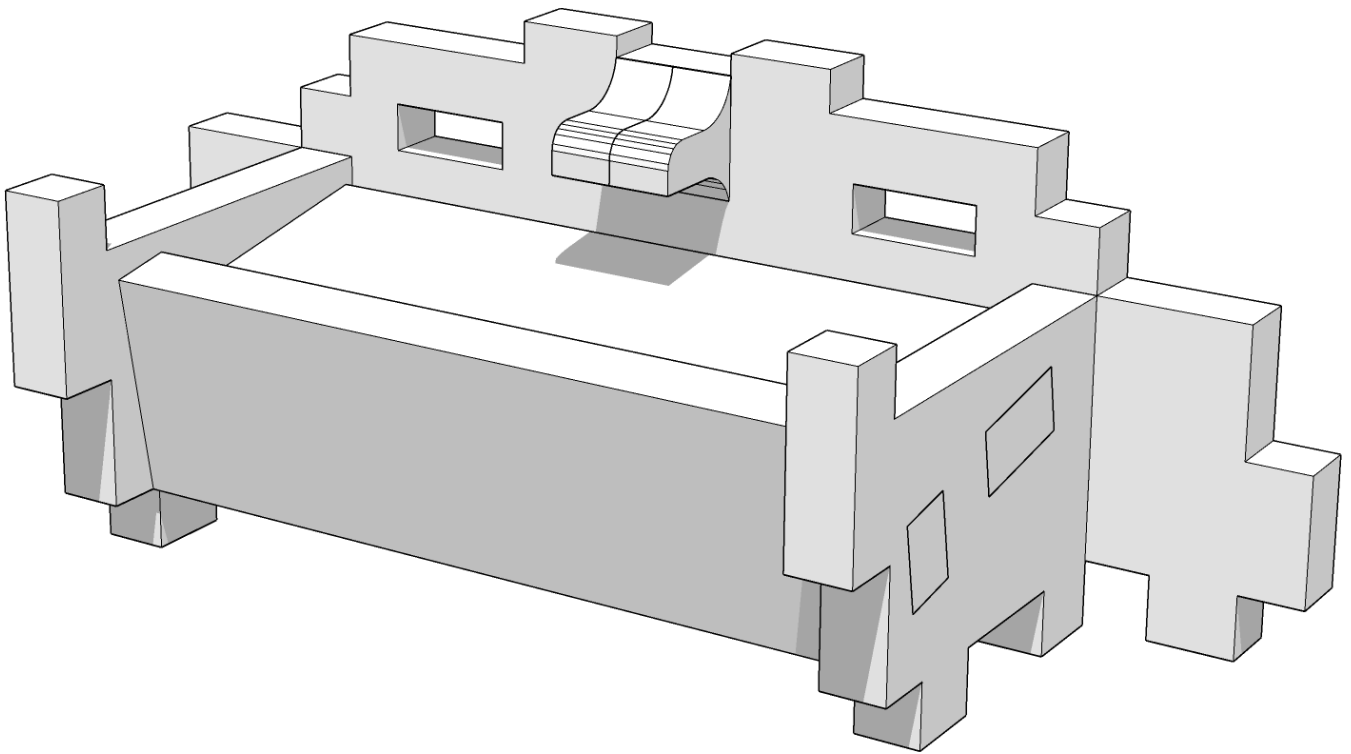




TABLETOP SCENICS

TTSCW-EES-100
Toshi:
Courtyard Walls

58

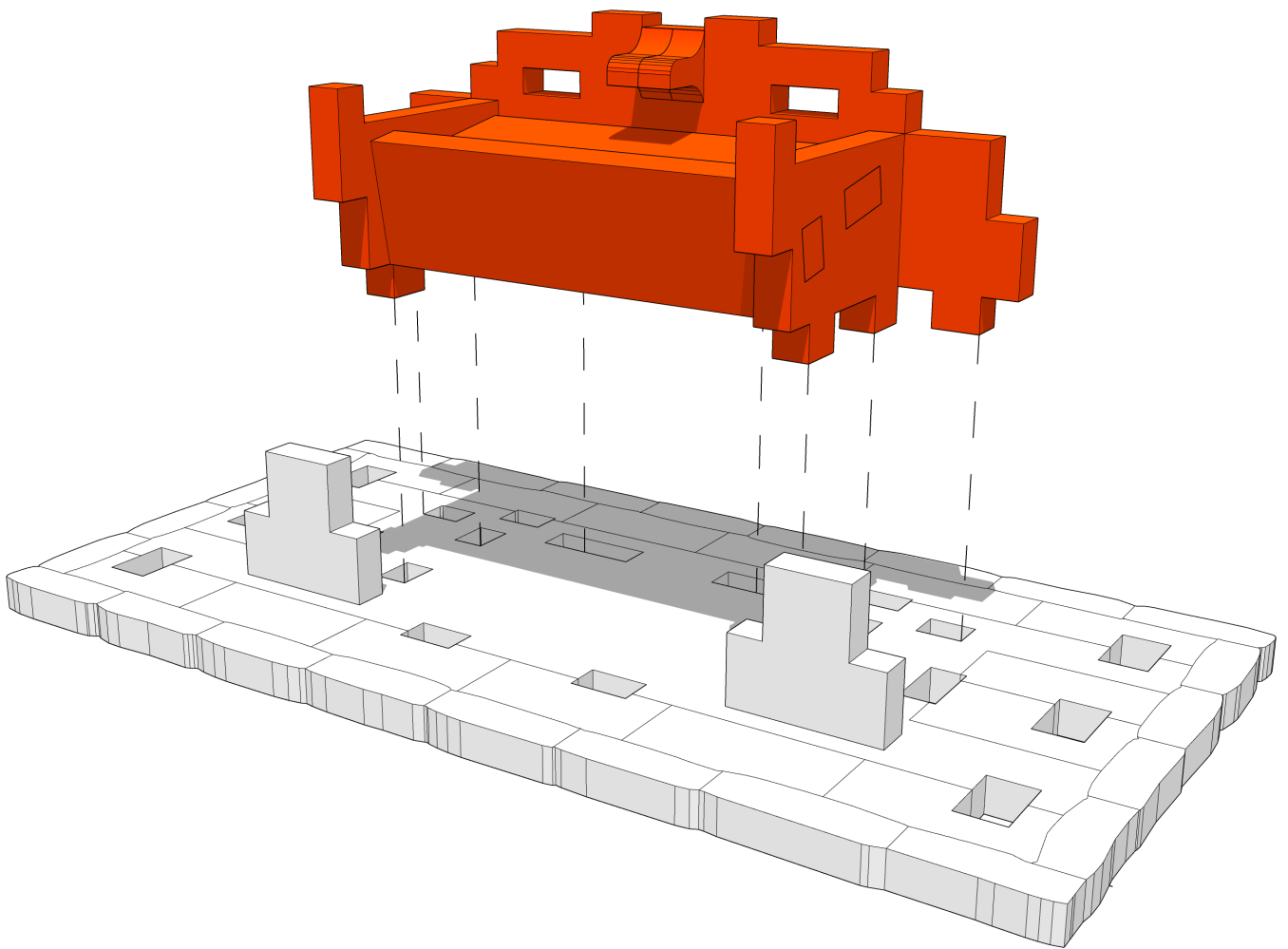




TABLETOP SCENICS

TTSCW-EES-100
Toshi:
Courtyard Walls

59

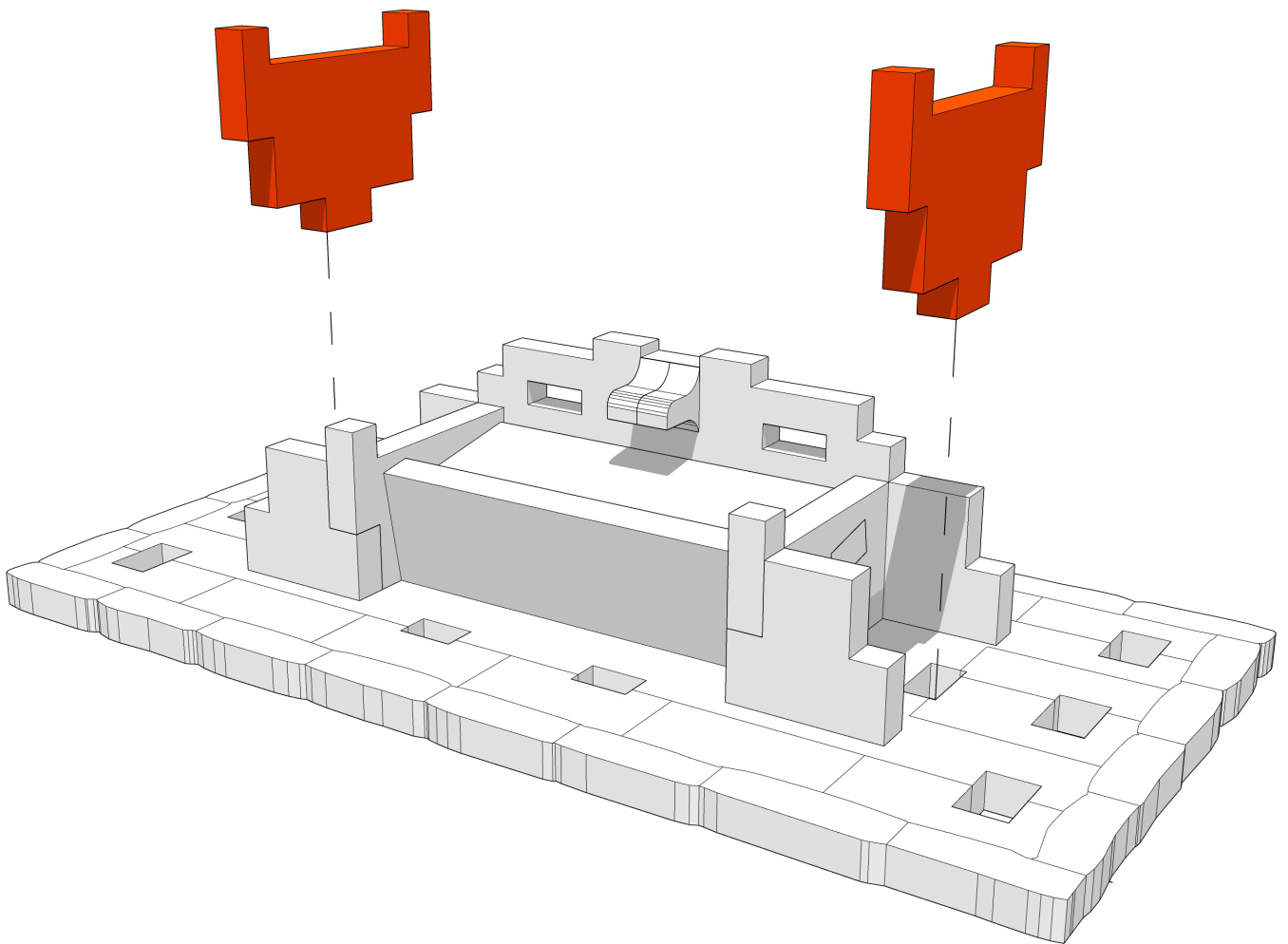




TABLETOP SCENICS

TTSCW-EES-100
Toshi:
Courtyard Walls

60

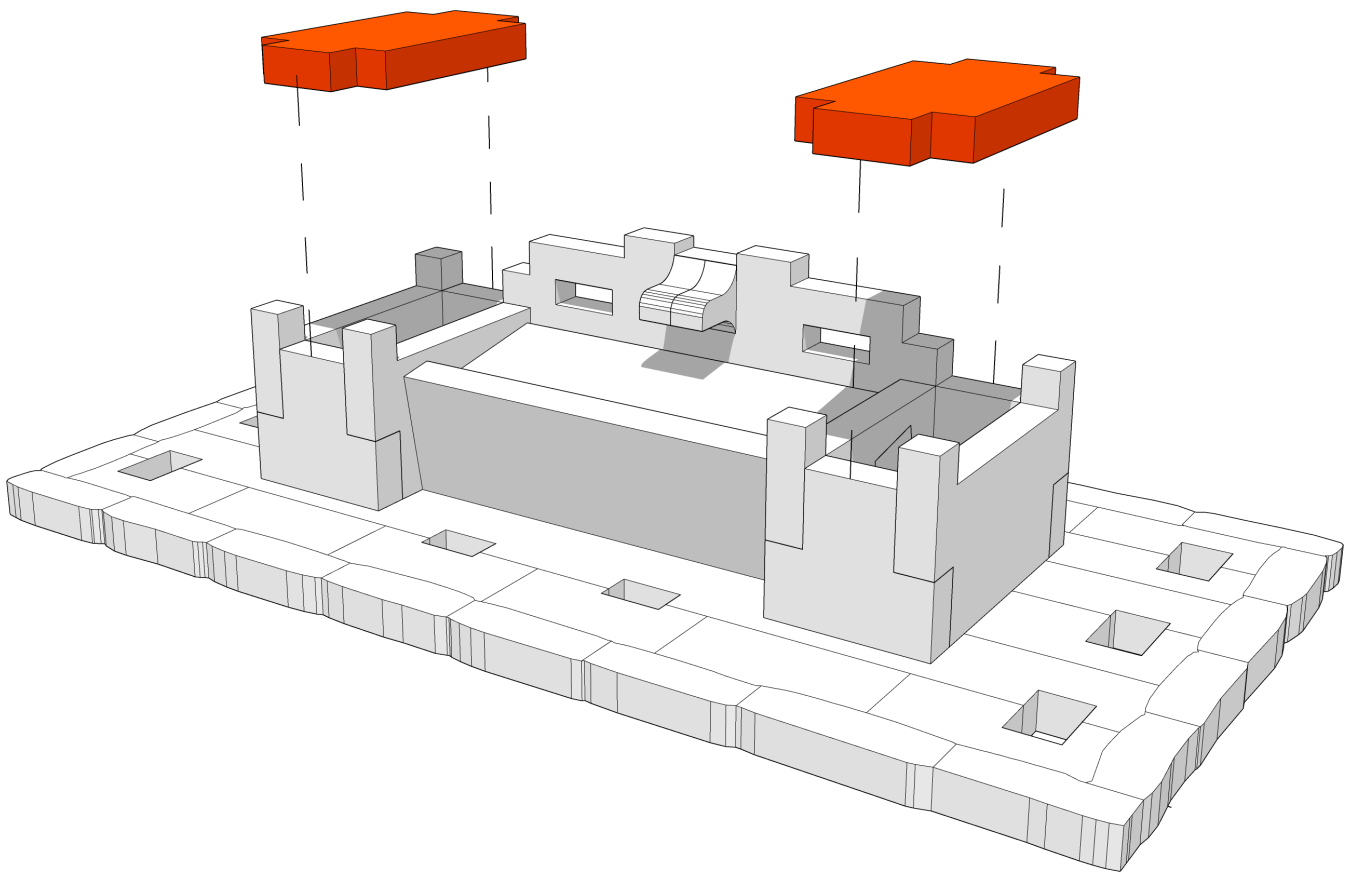




TABLETOP SCENICS

TTSCW-EES-100
Toshi:
Courtyard Walls

61

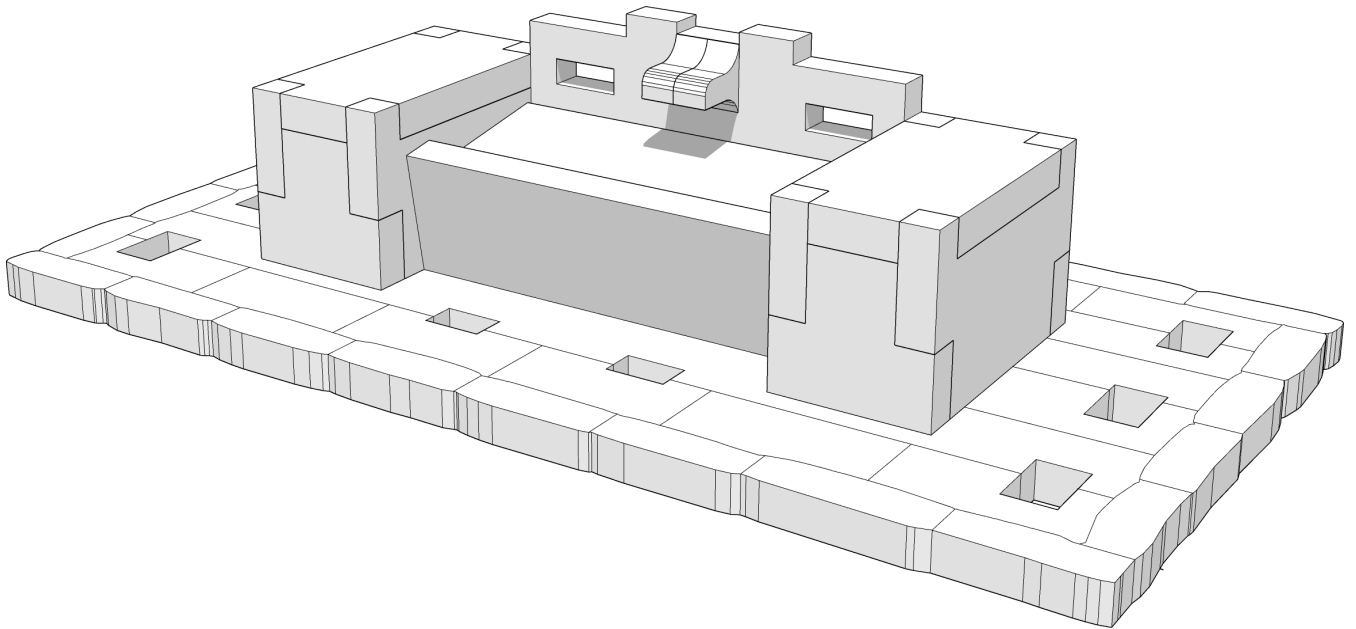




TABLETOP SCENICS

TTSCW-EES-100
Toshi:
Courtyard Walls

62

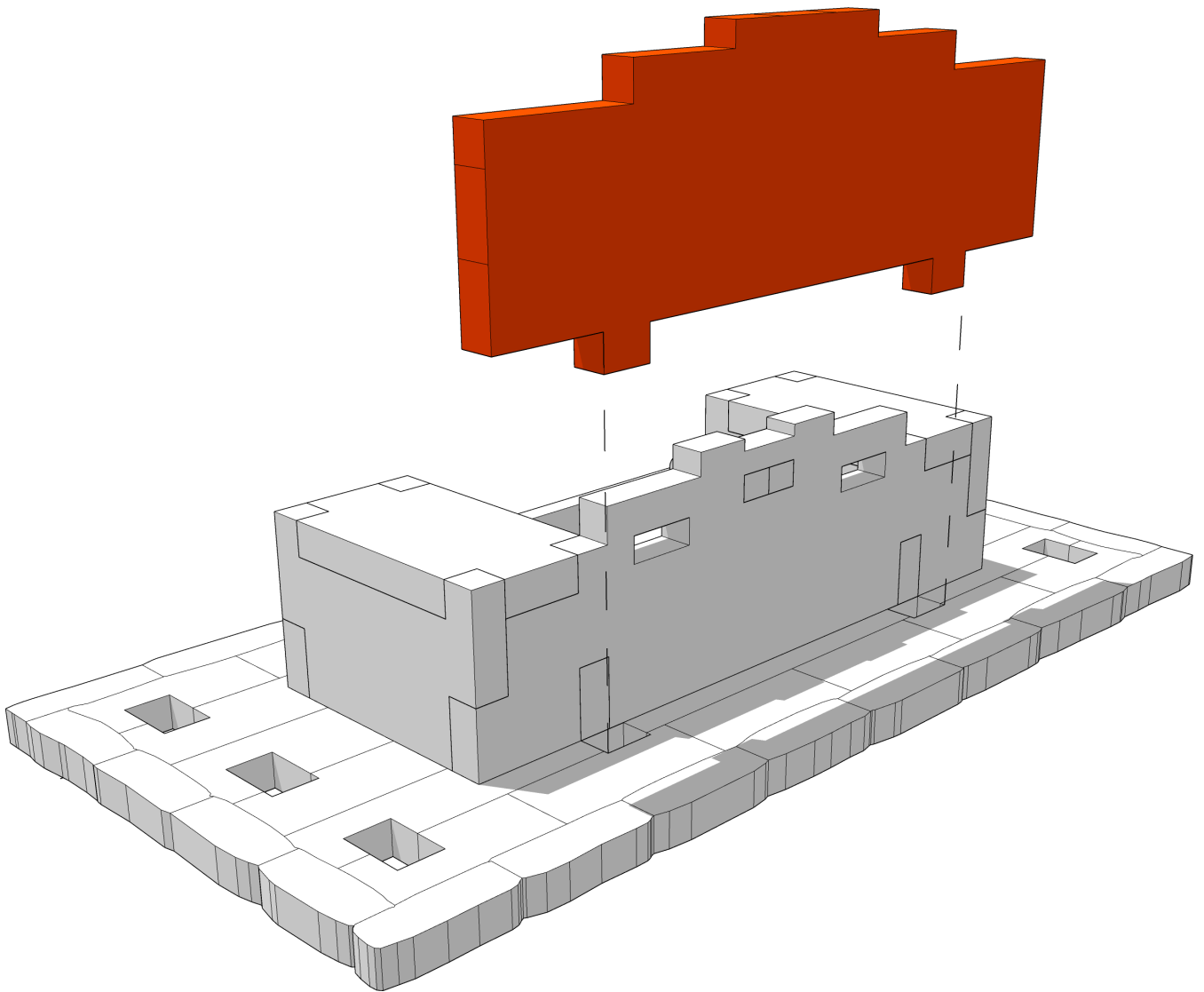




TABLETOP SCENICS

TTSCW-EES-100
Toshi:
Courtyard Walls

63

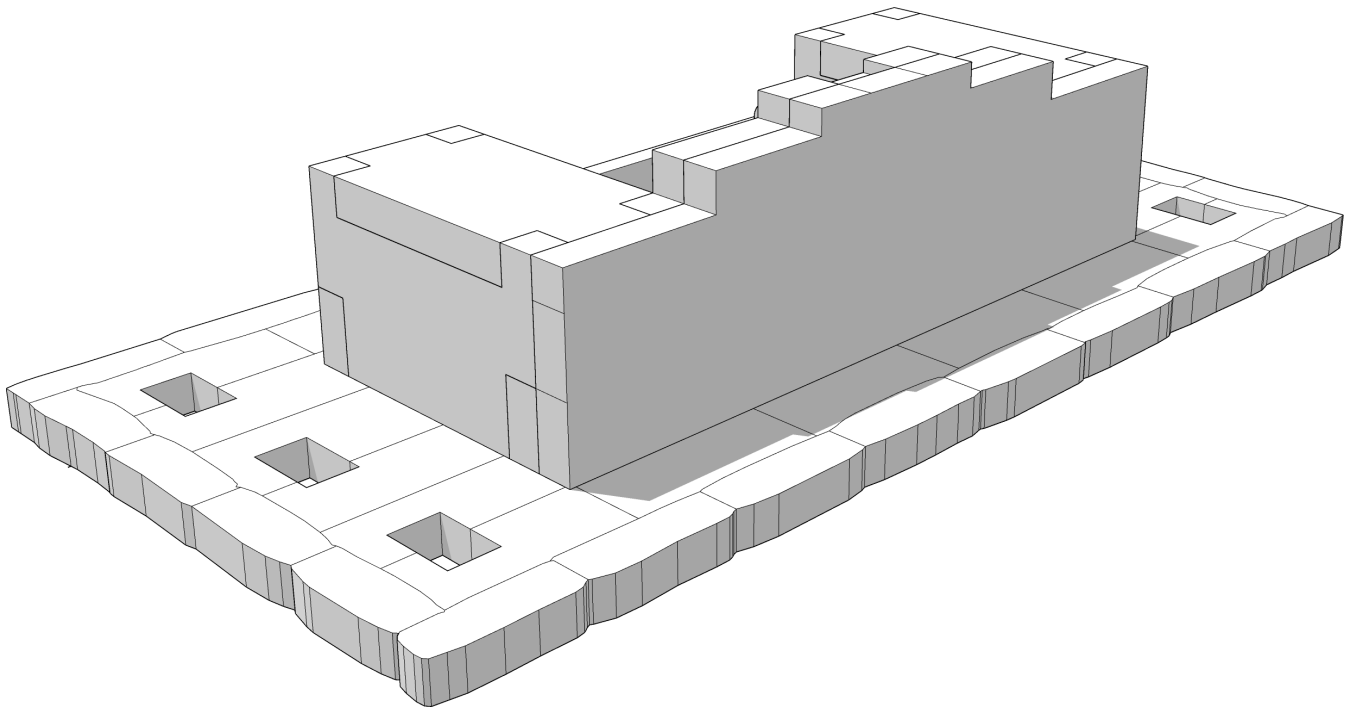




TABLETOP SCENICS

TTSCW-EES-100
Toshi:
Courtyard Walls

64

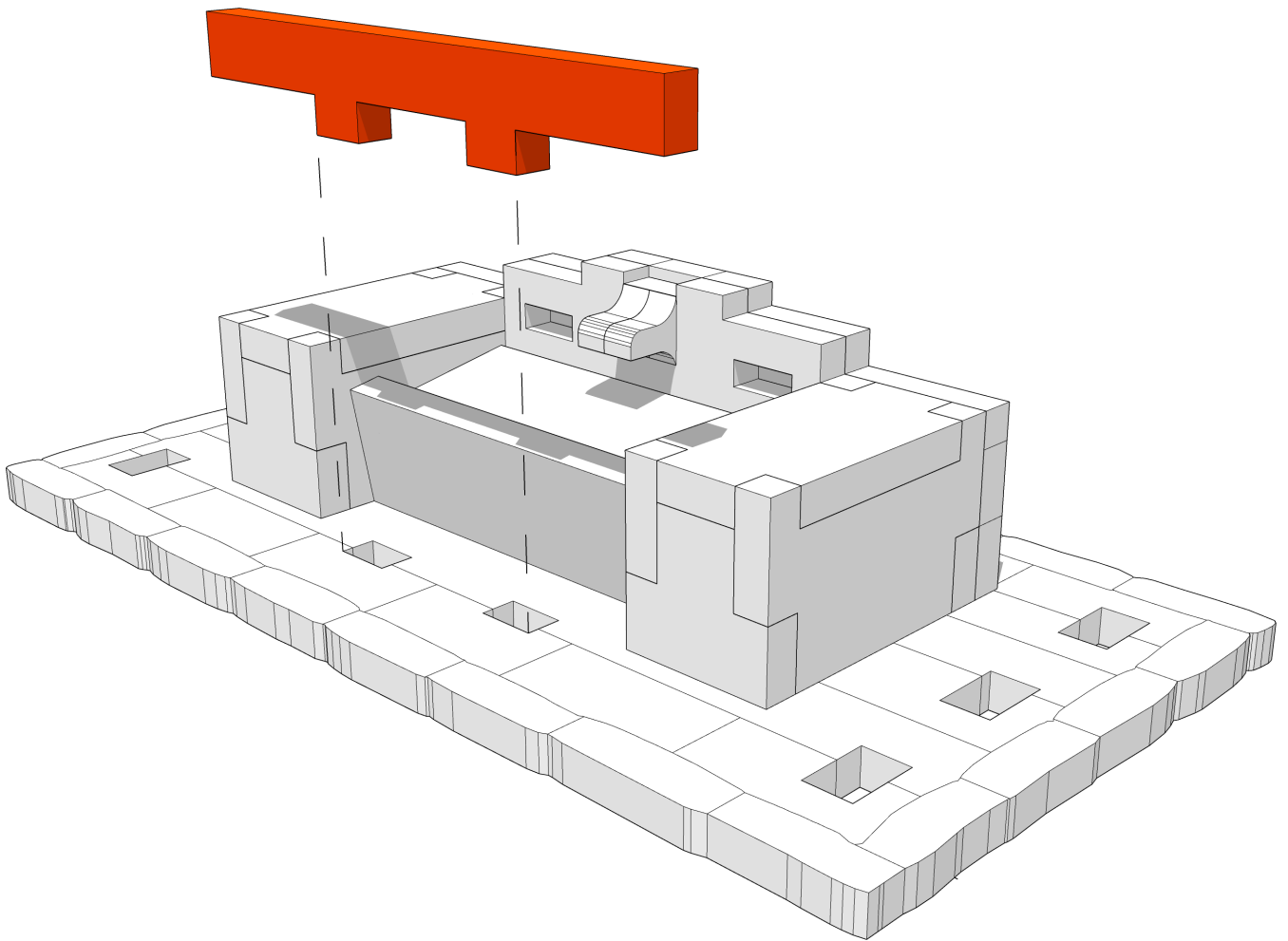




TABLETOP SCENICS

TTSCW-EES-100
Toshi:
Courtyard Walls

65

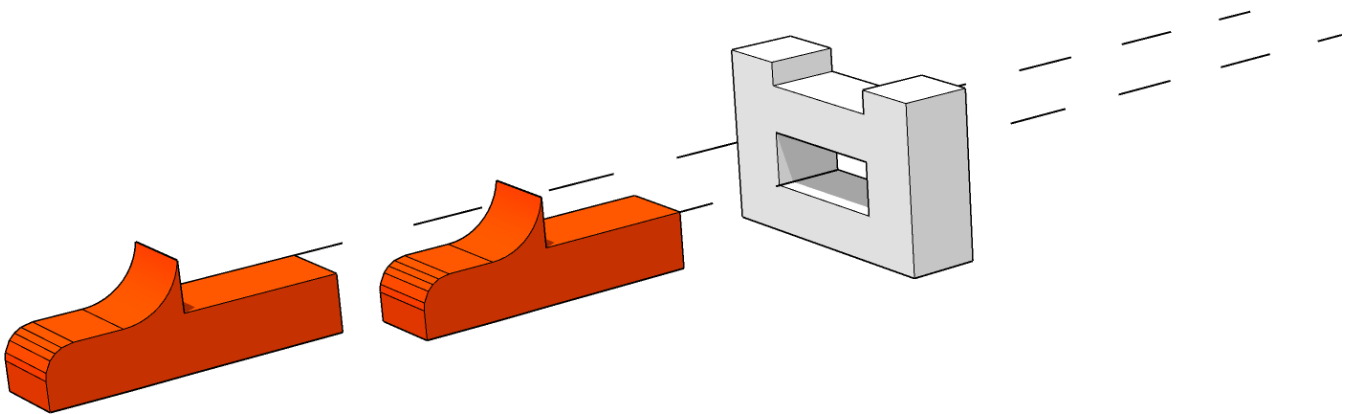




TABLETOP SCENICS

TTSCW-EES-100
Toshi:
Courtyard Walls

66

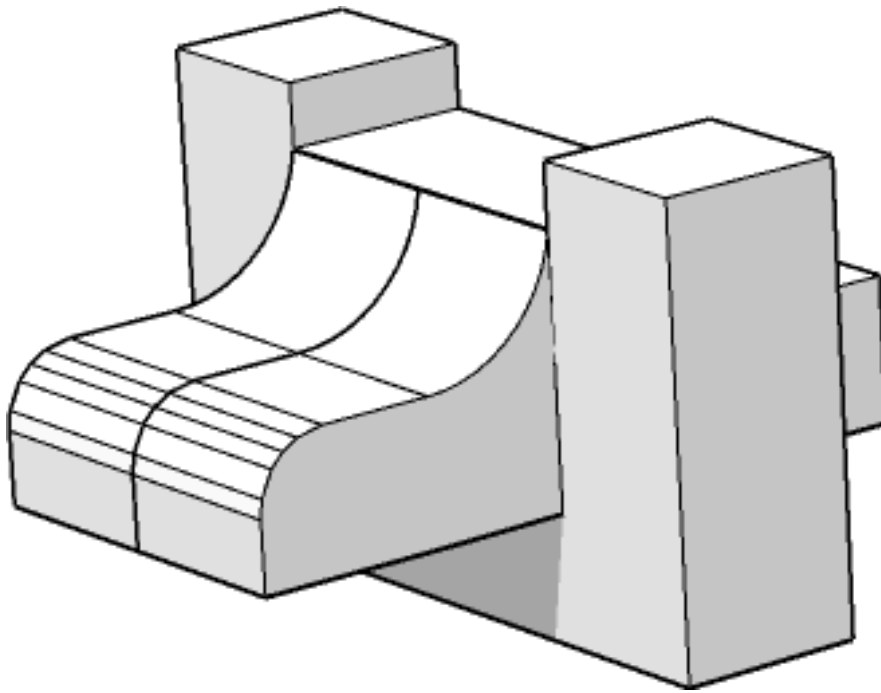




TABLETOP SCENICS

TTSCW-EES-100
Toshi:
Courtyard Walls

67



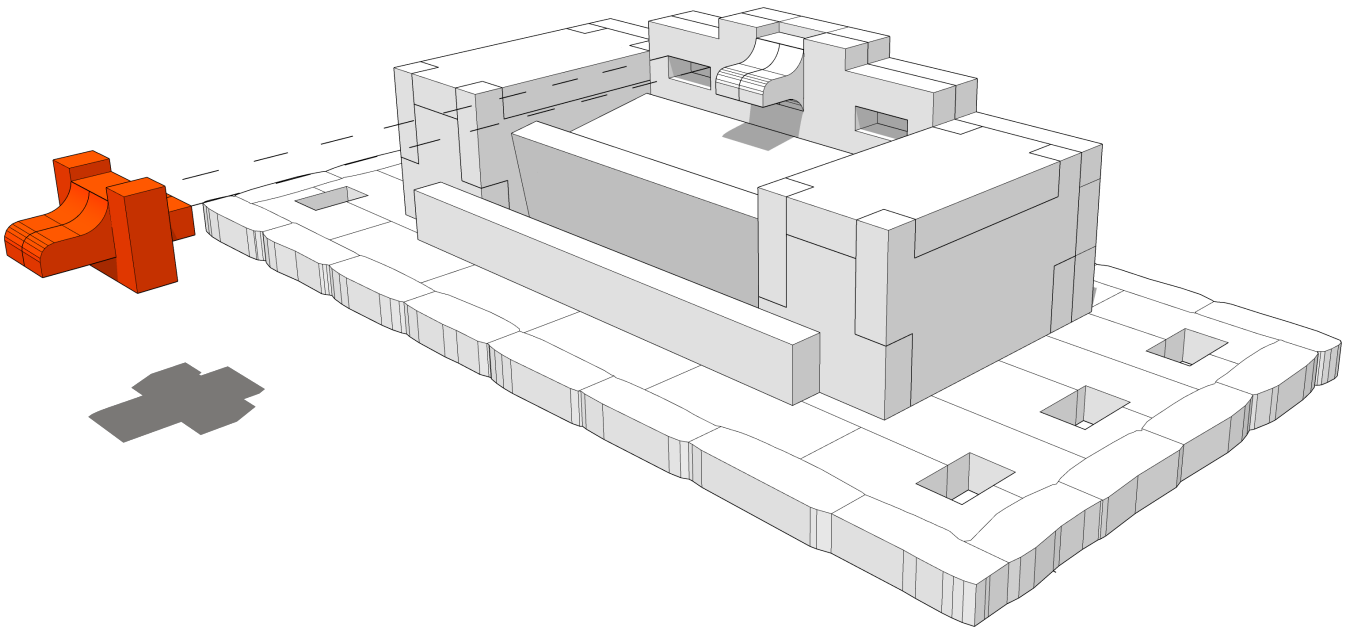
x2



TABLETOP SCENICS

TTSCW-EES-100
Toshi:
Courtyard Walls

68

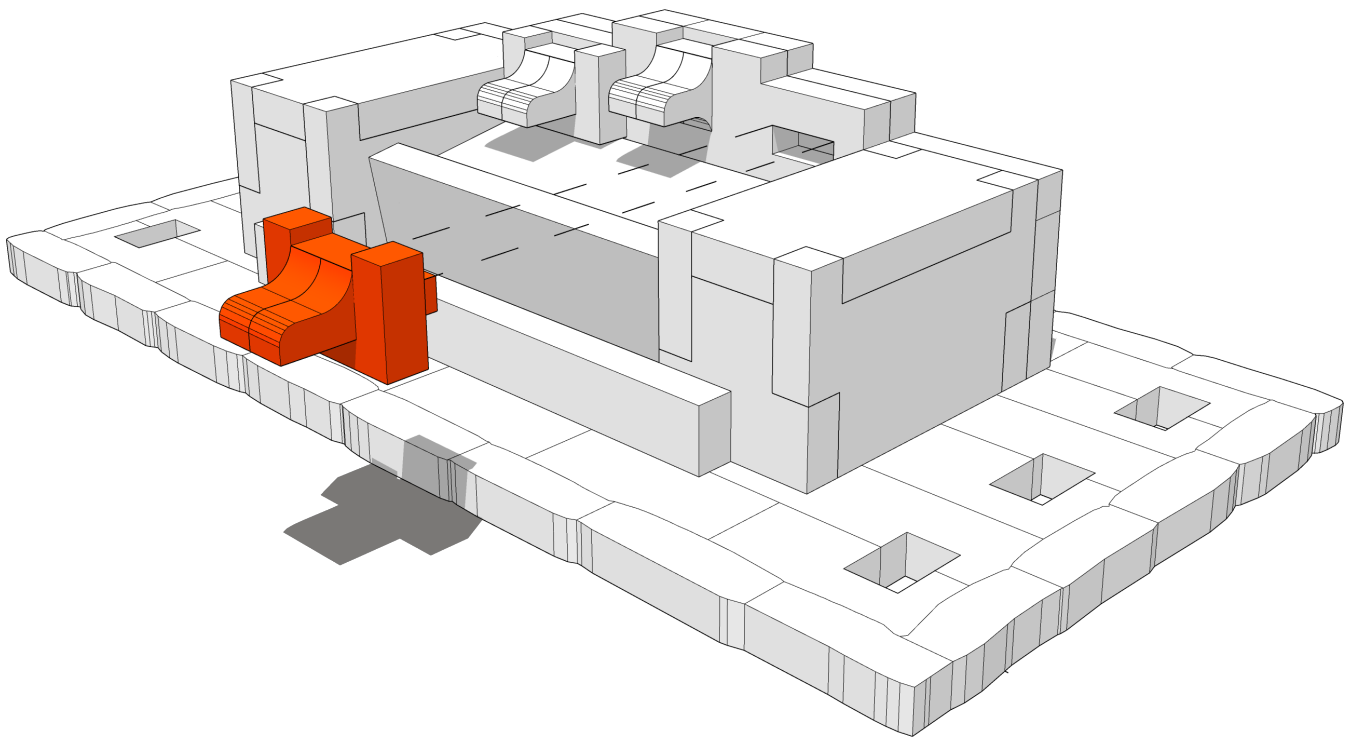




TABLETOP SCENICS

TTSCW-EES-100
Toshi:
Courtyard Walls

69

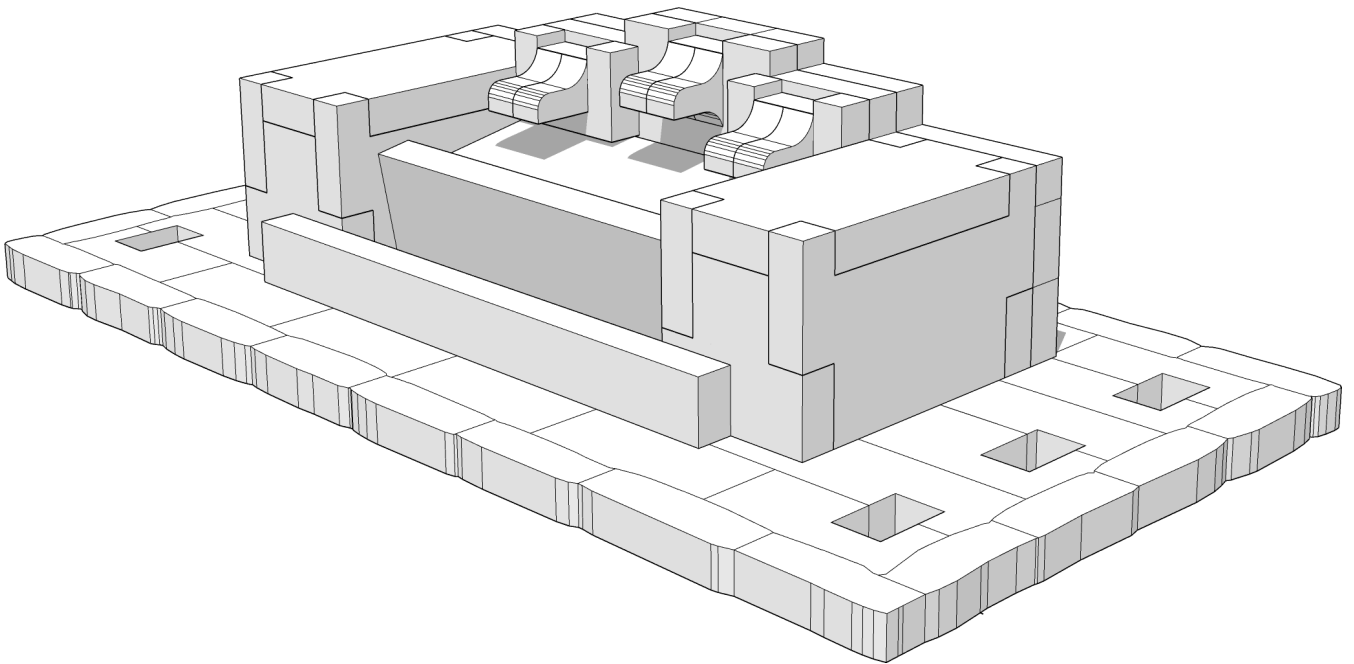




TABLETOP SCENICS

70

TTSCW-EES-100
Toshi:
Courtyard Walls

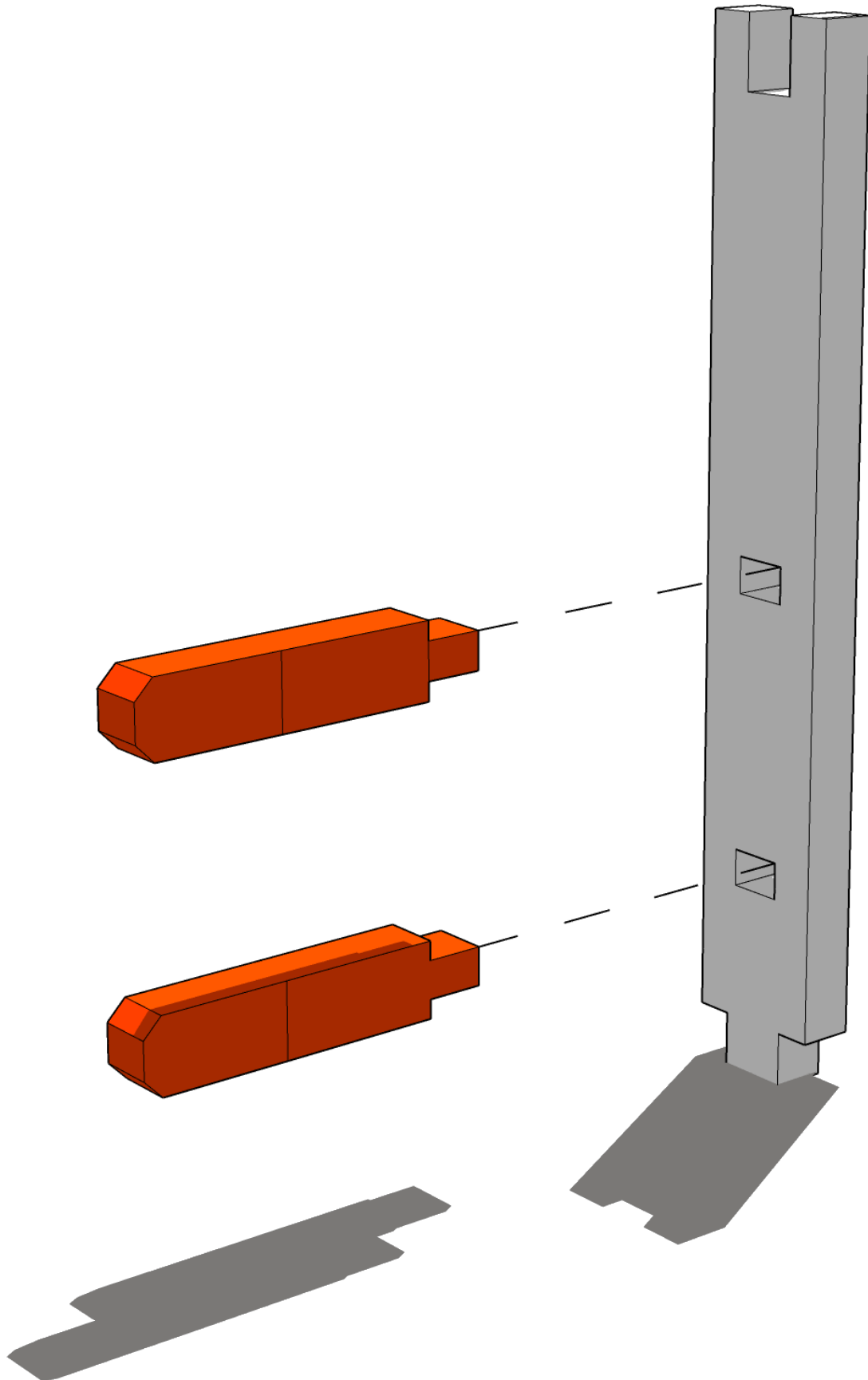




TABLETOP SCENICS

TTSCW-EES-100
Toshi:
Courtyard Walls

71

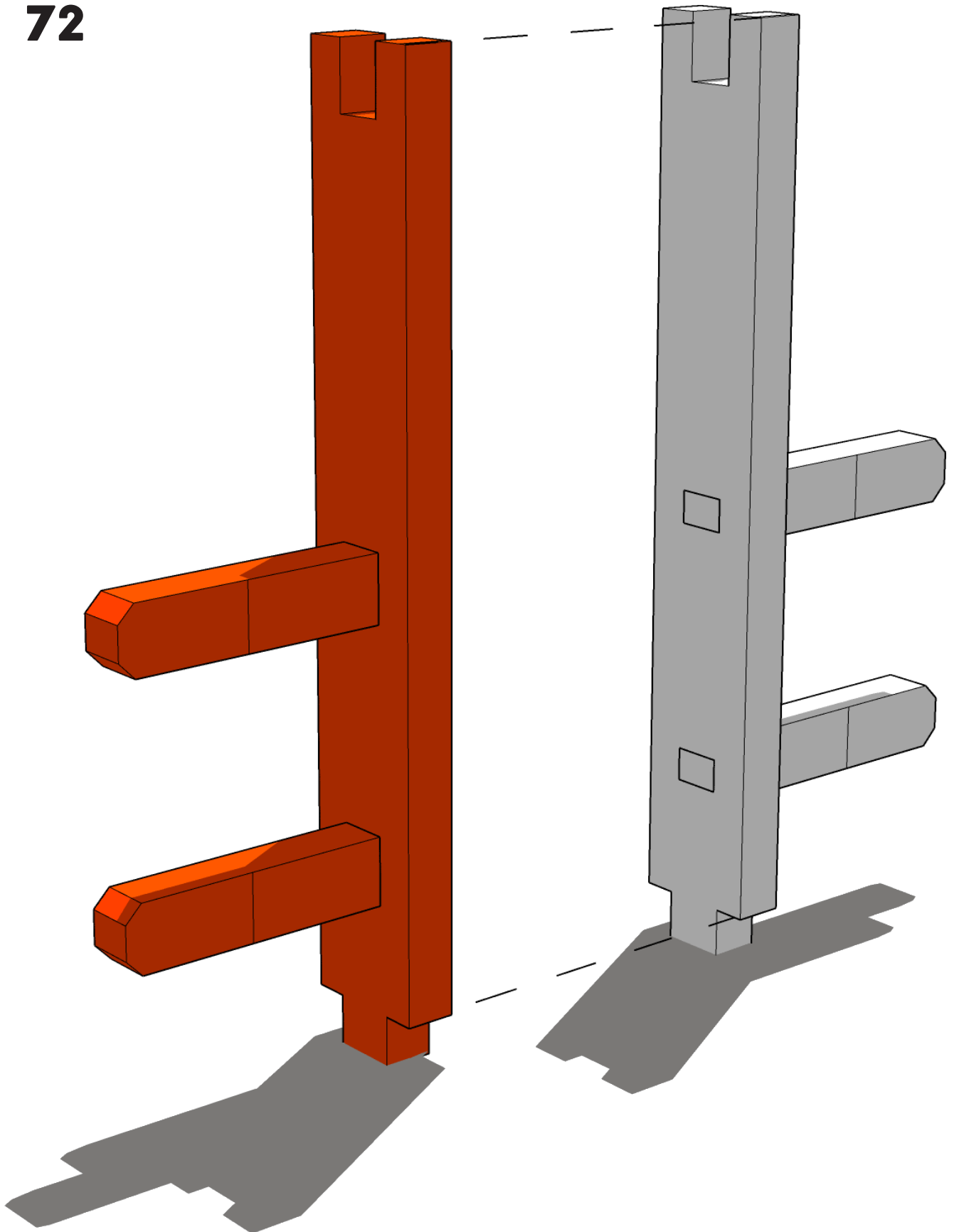




TABLETOP SCENICS

TTSCW-EES-100
Toshi:
Courtyard Walls

72

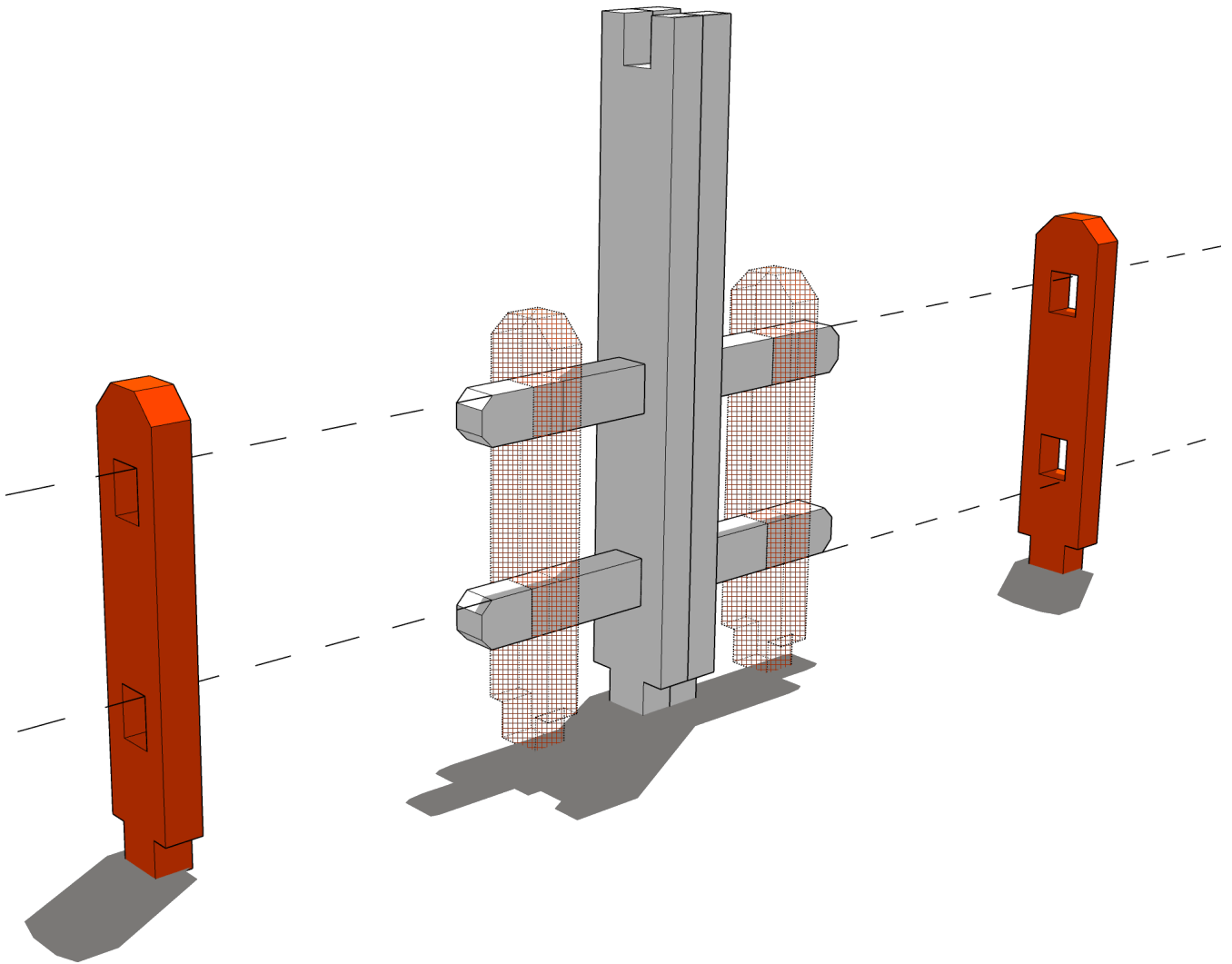




TABLETOP SCENICS

TTSCW-EES-100
Toshi:
Courtyard Walls

73



Highlighted parts push on as far as the engraved line. Recommended to check following steps on pages 74 - 76 to see how it finishes.



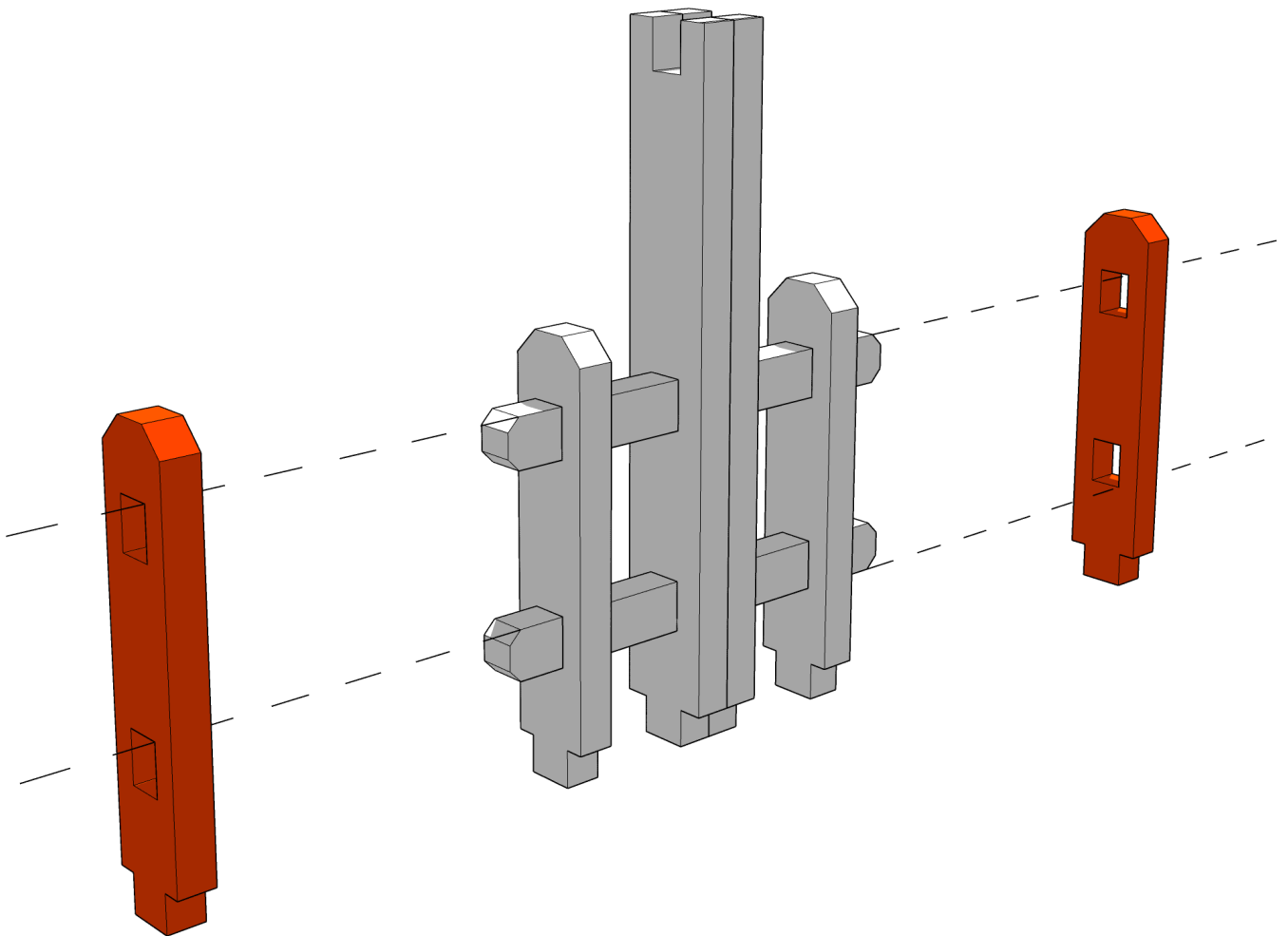
 **TTCOMBAT**



TABLETOP SCENICS

TTSCW-EES-100
Toshi:
Courtyard Walls

74

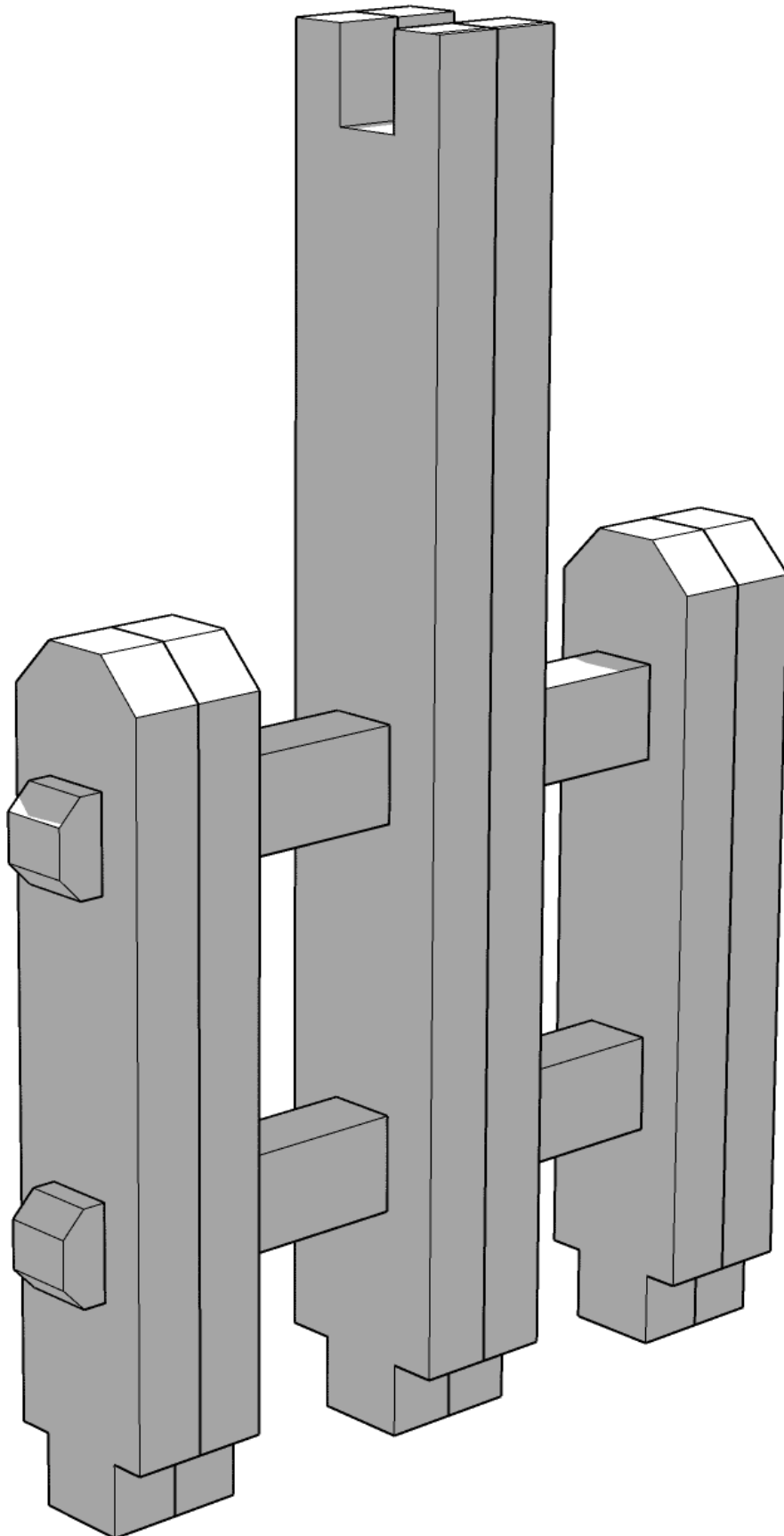




TABLETOP SCENICS

TTSCW-EES-100
Toshi:
Courtyard Walls

75



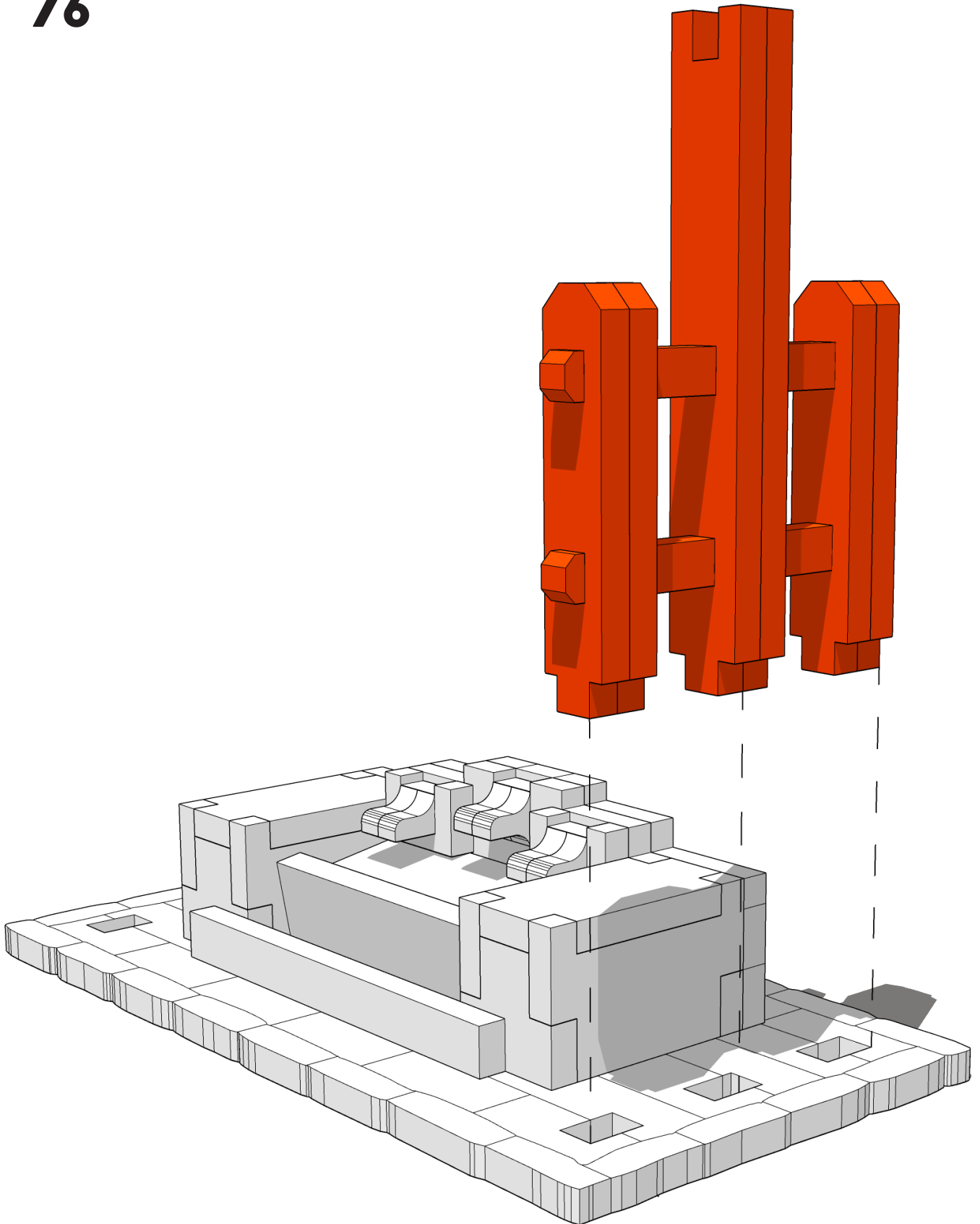
x2



TABLETOP SCENICS

TTSCW-EES-100
Toshi:
Courtyard Walls

76

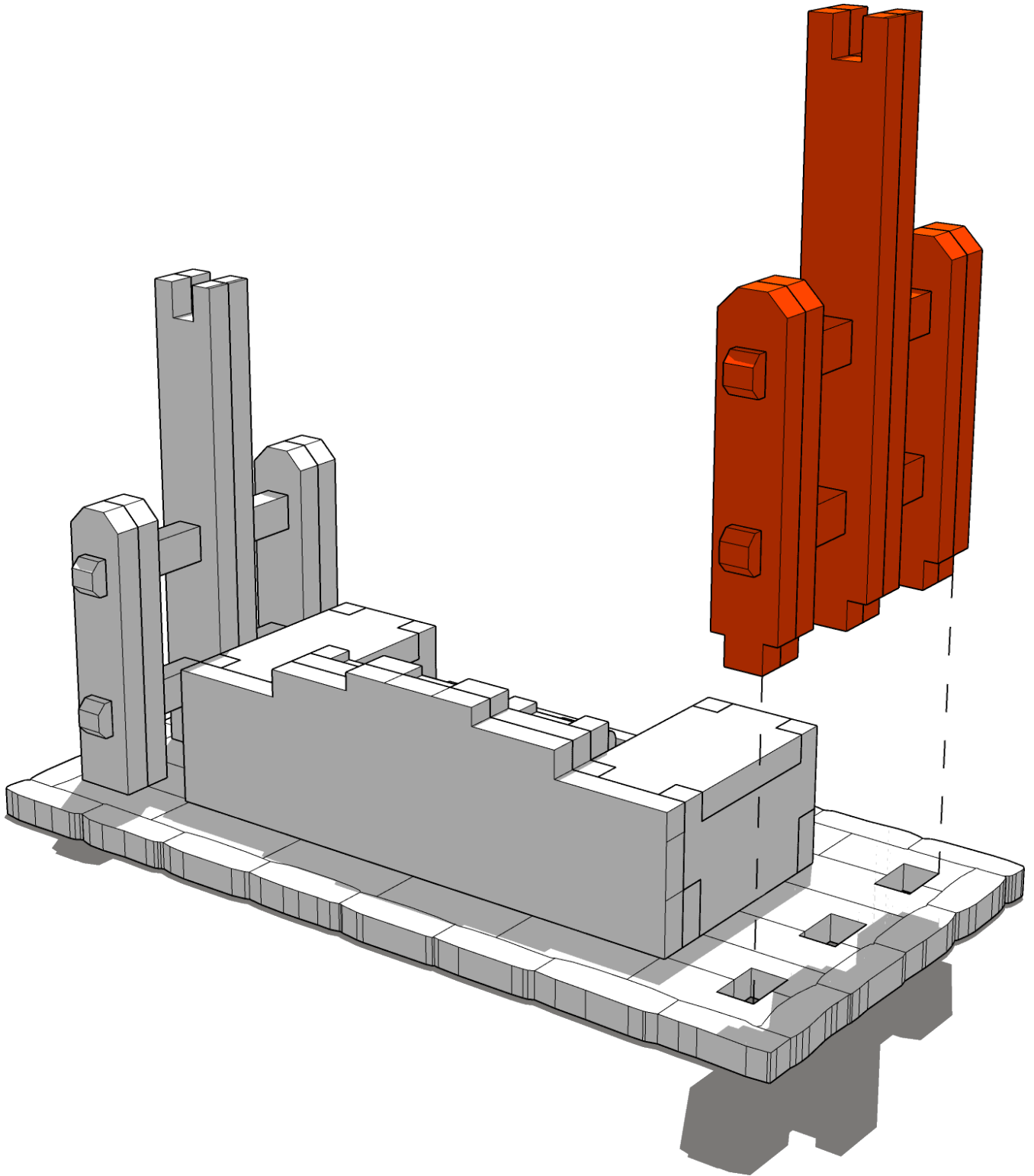




TABLETOP SCENICS

TTSCW-EES-100
Toshi:
Courtyard Walls

77

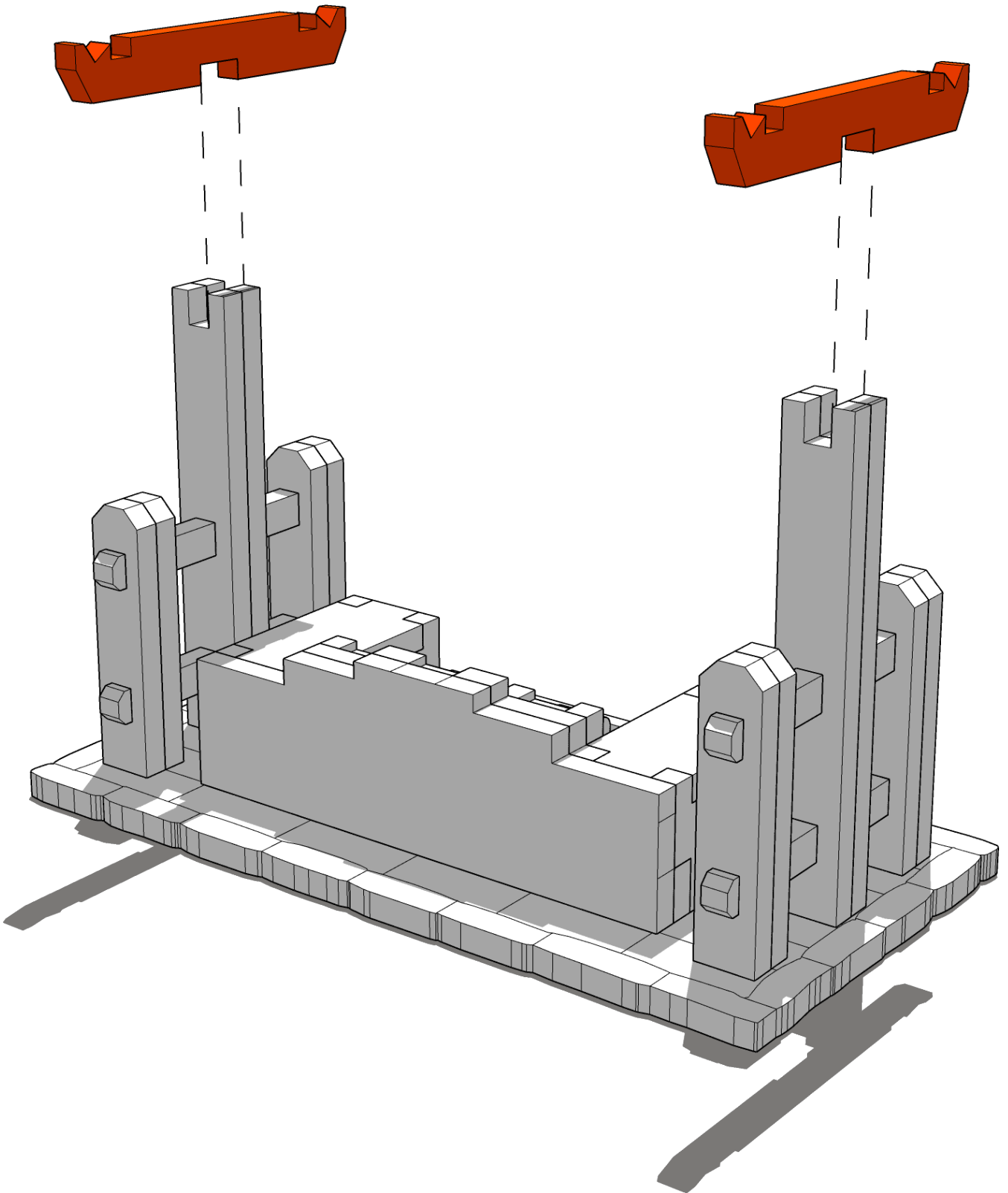




TABLETOP SCENICS

TTSCW-EES-100
Toshi:
Courtyard Walls

78

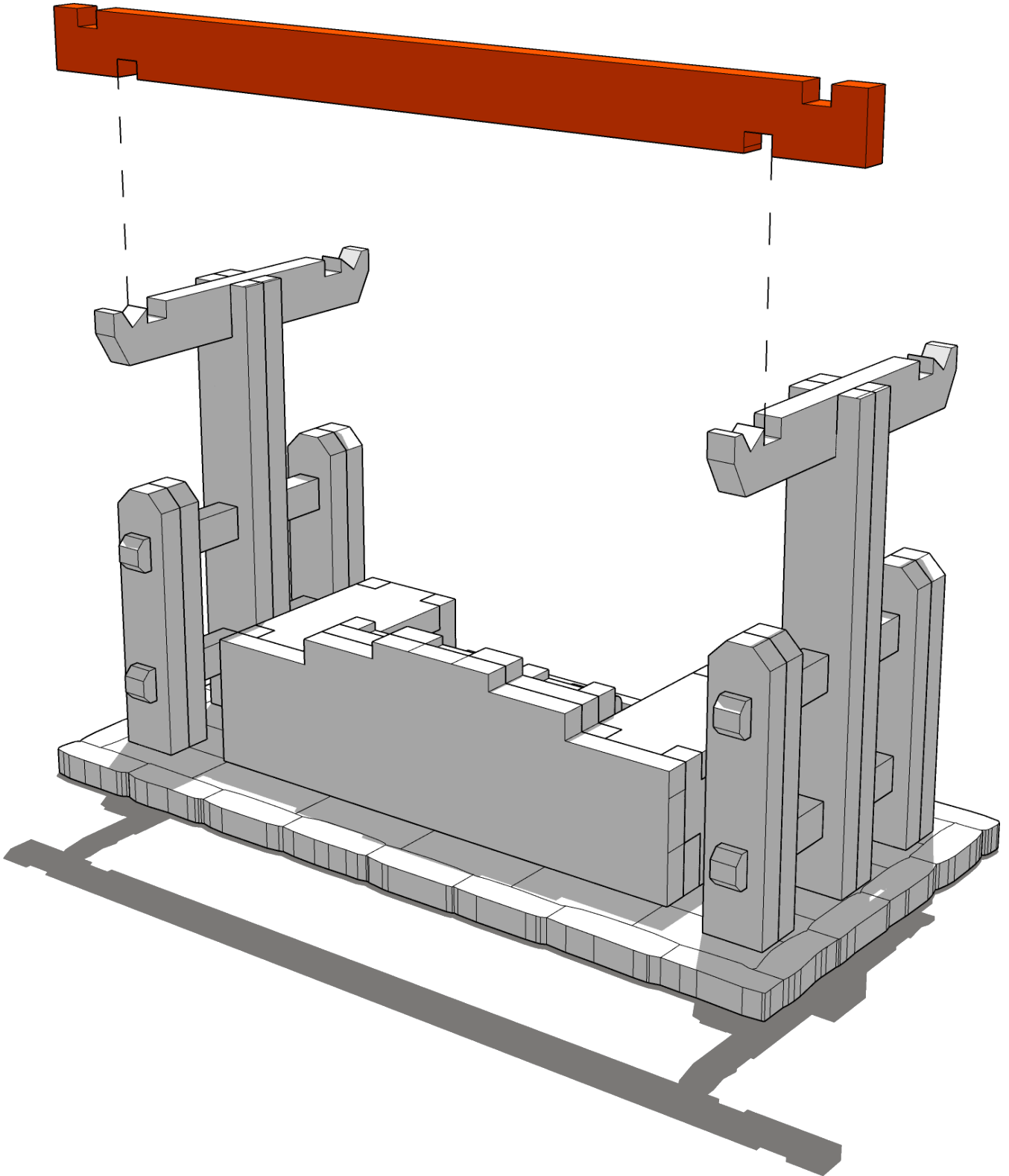




TABLETOP SCENICS

TTSCW-EES-100
Toshi:
Courtyard Walls

79

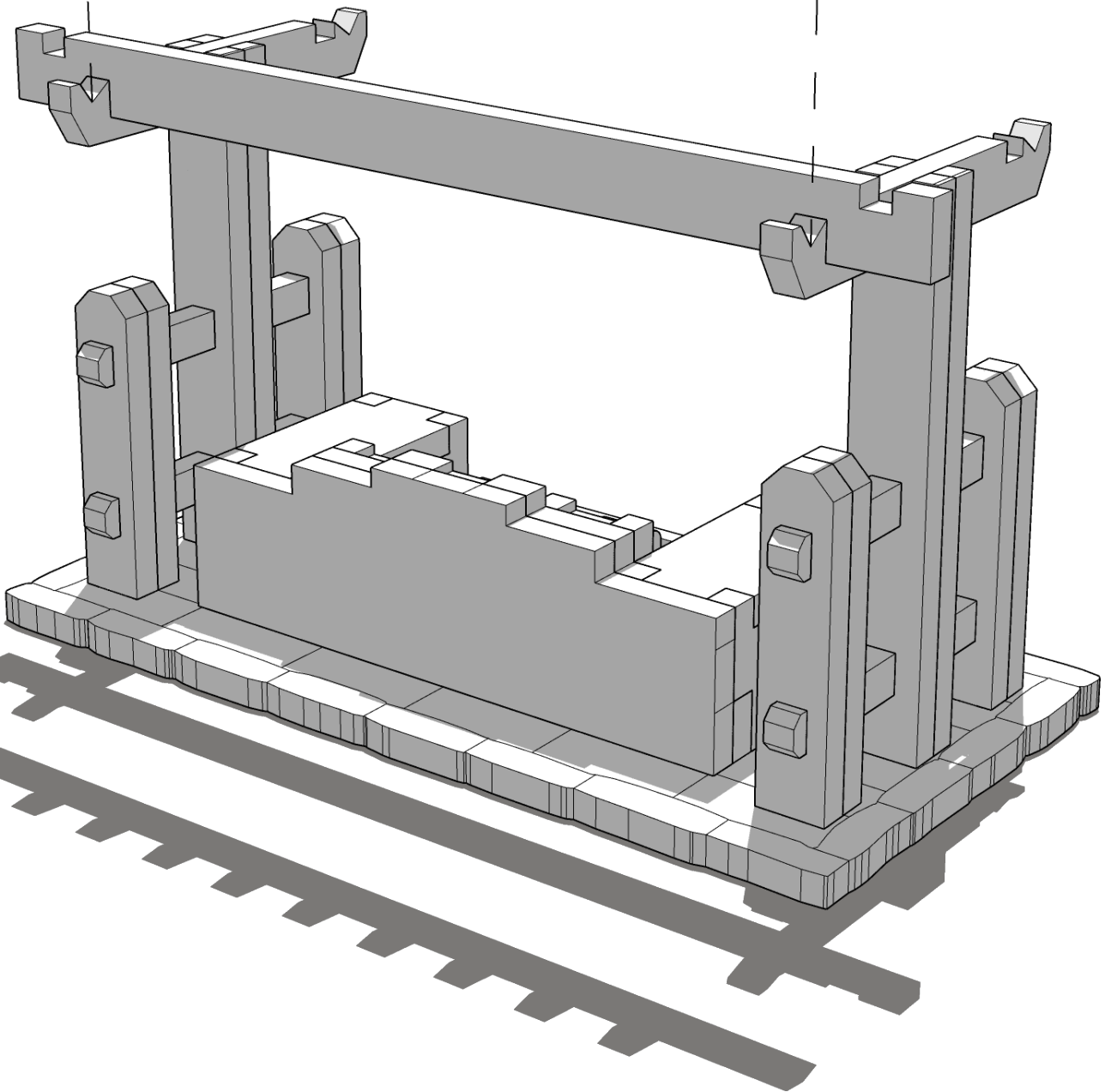
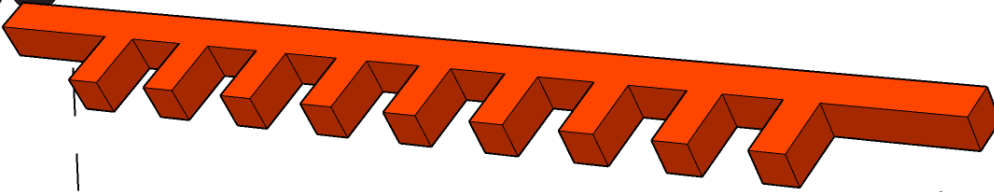




TABLETOP SCENICS

TTSCW-EES-100
Toshi:
Courtyard Walls

80

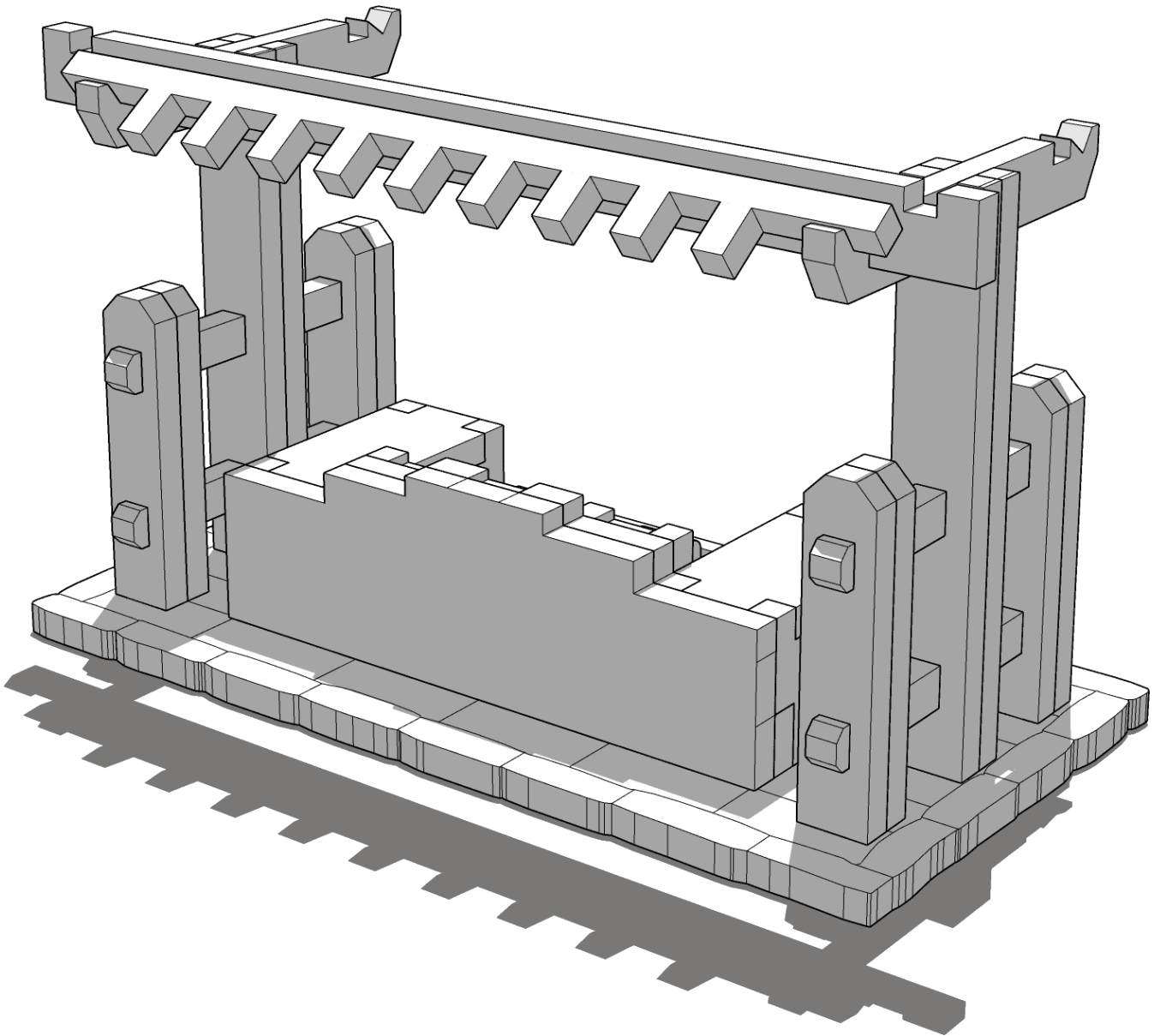




TABLETOP SCENICS

TTSCW-EES-100
Toshi:
Courtyard Walls

81

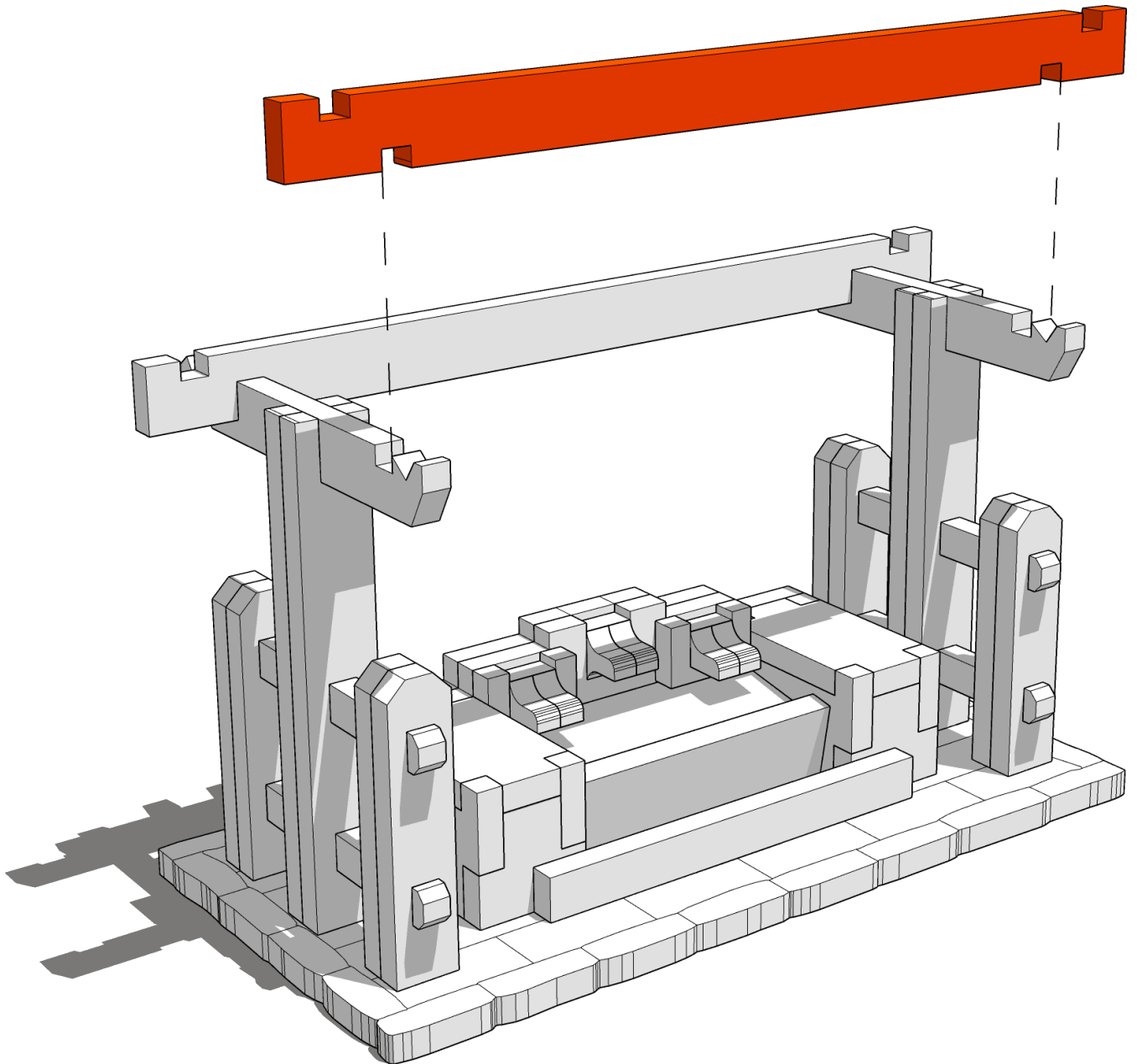




TABLETOP SCENICS

TTSCW-EES-100
Toshi:
Courtyard Walls

82

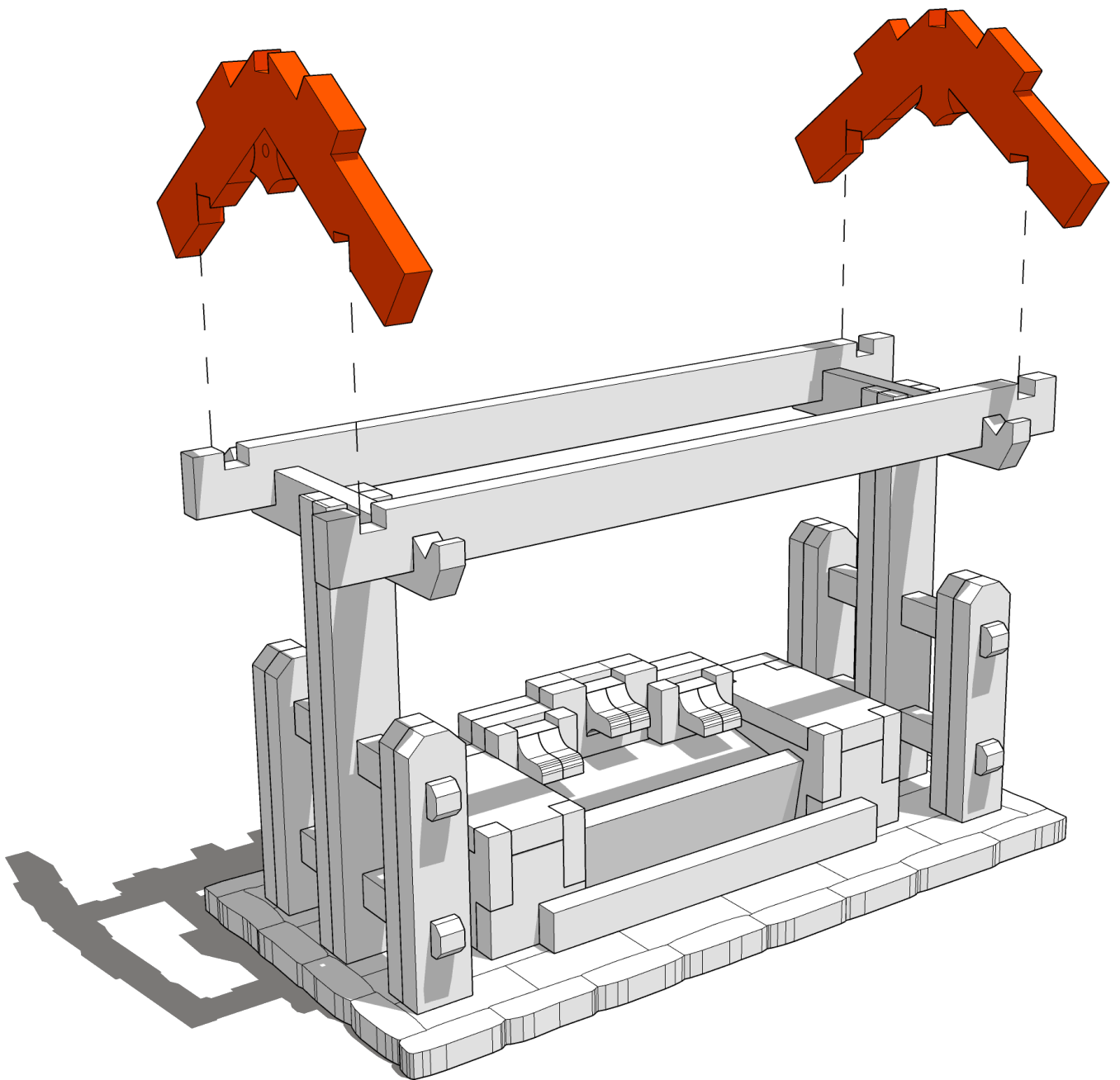




TABLETOP SCENICS

TTSCW-EES-100
Toshi:
Courtyard Walls

83

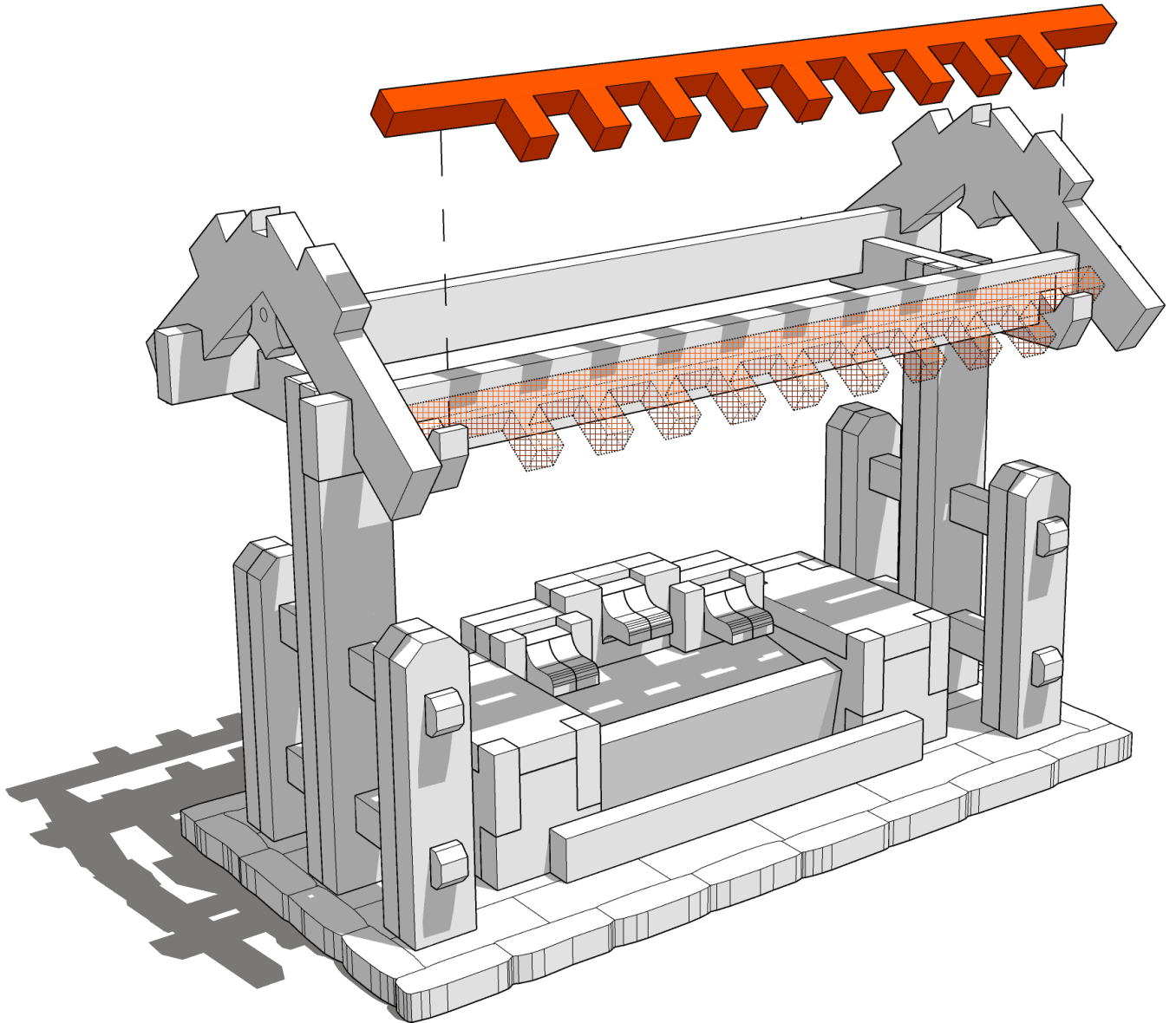




TABLETOP SCENICS

TTSCW-EES-100
Toshi:
Courtyard Walls

84

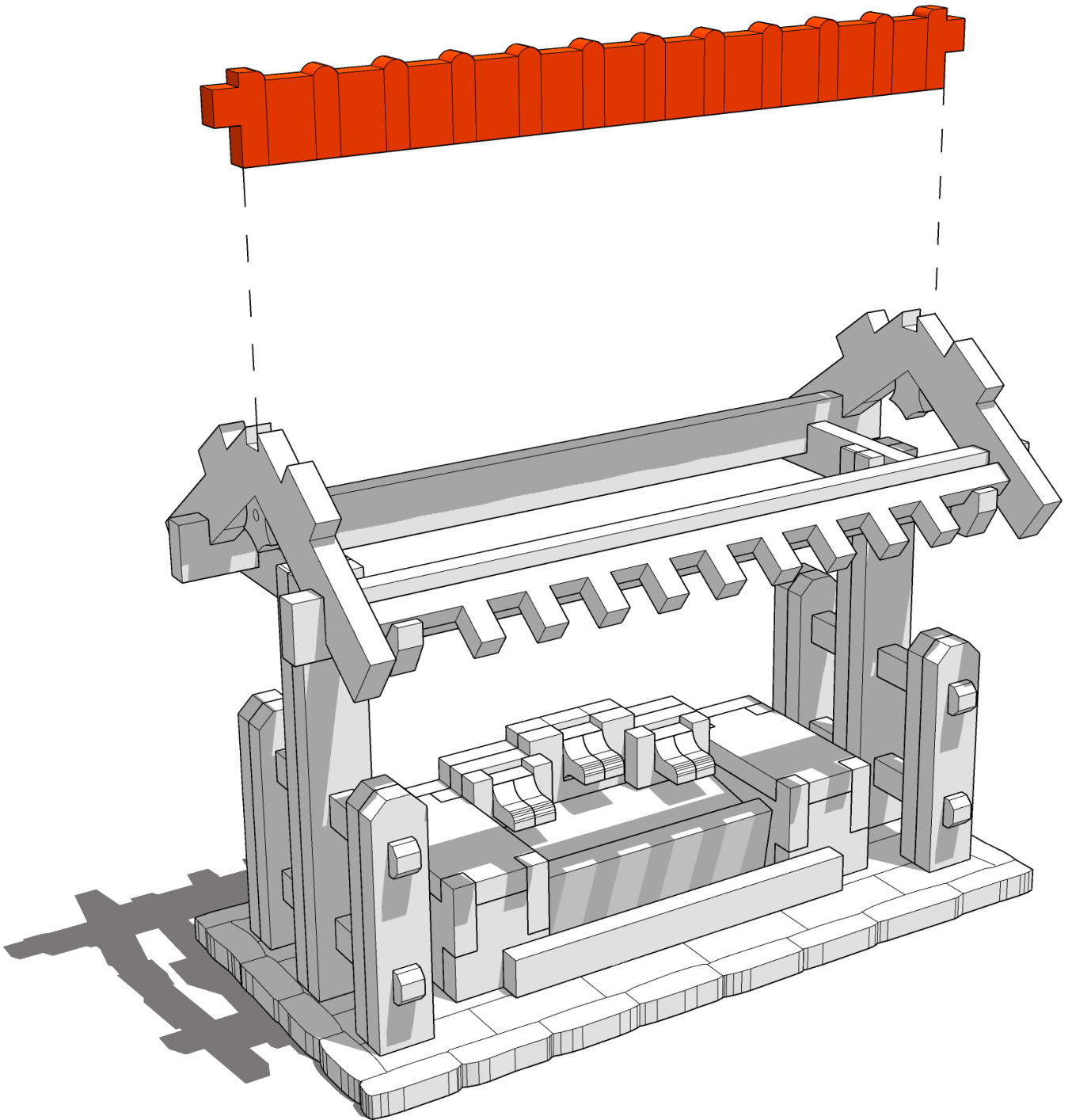




TABLETOP SCENICS

TTSCW-EES-100
Toshi:
Courtyard Walls

85

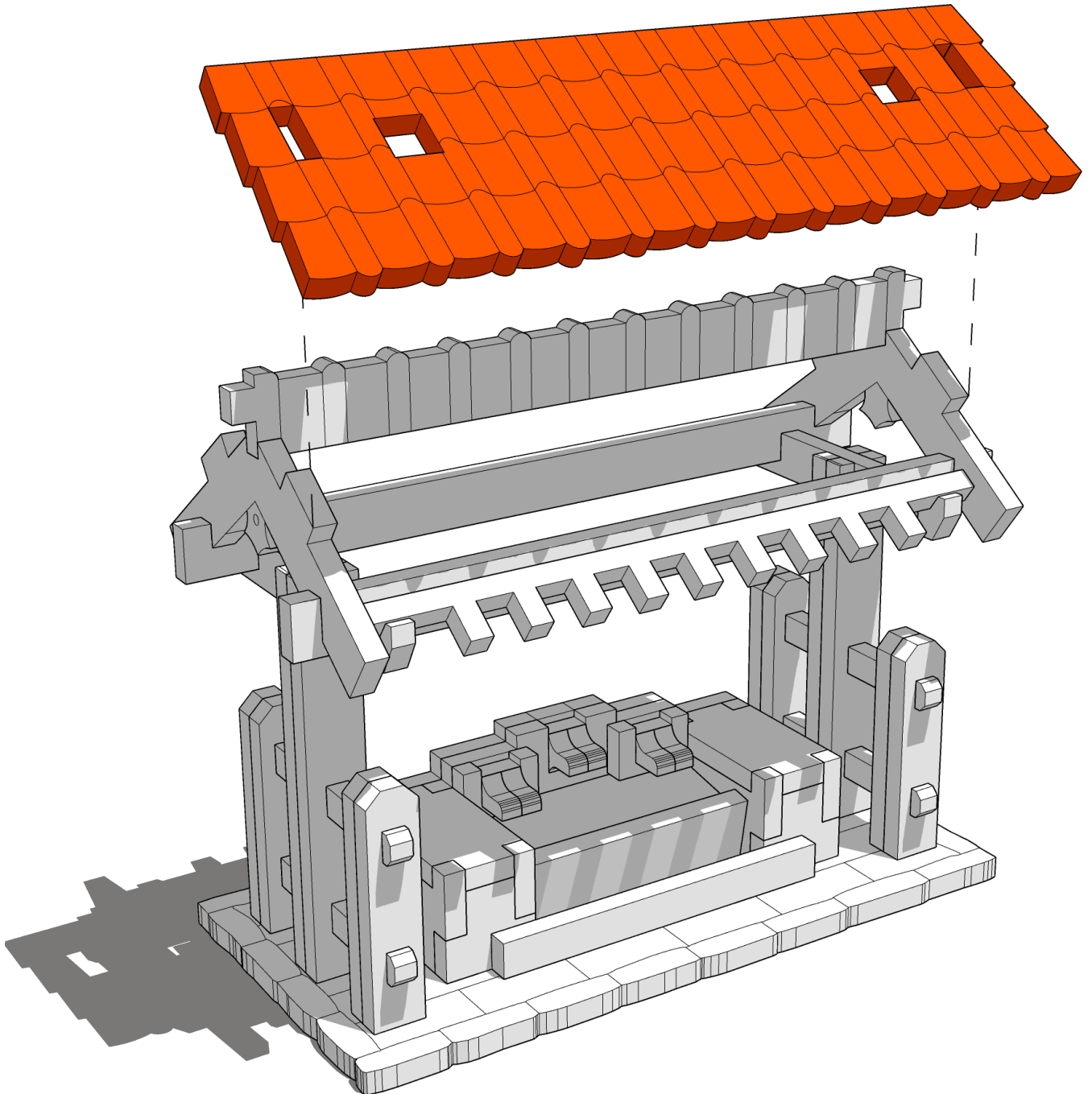




TABLETOP SCENICS

TTSCW-EES-100
Toshi:
Courtyard Walls

86

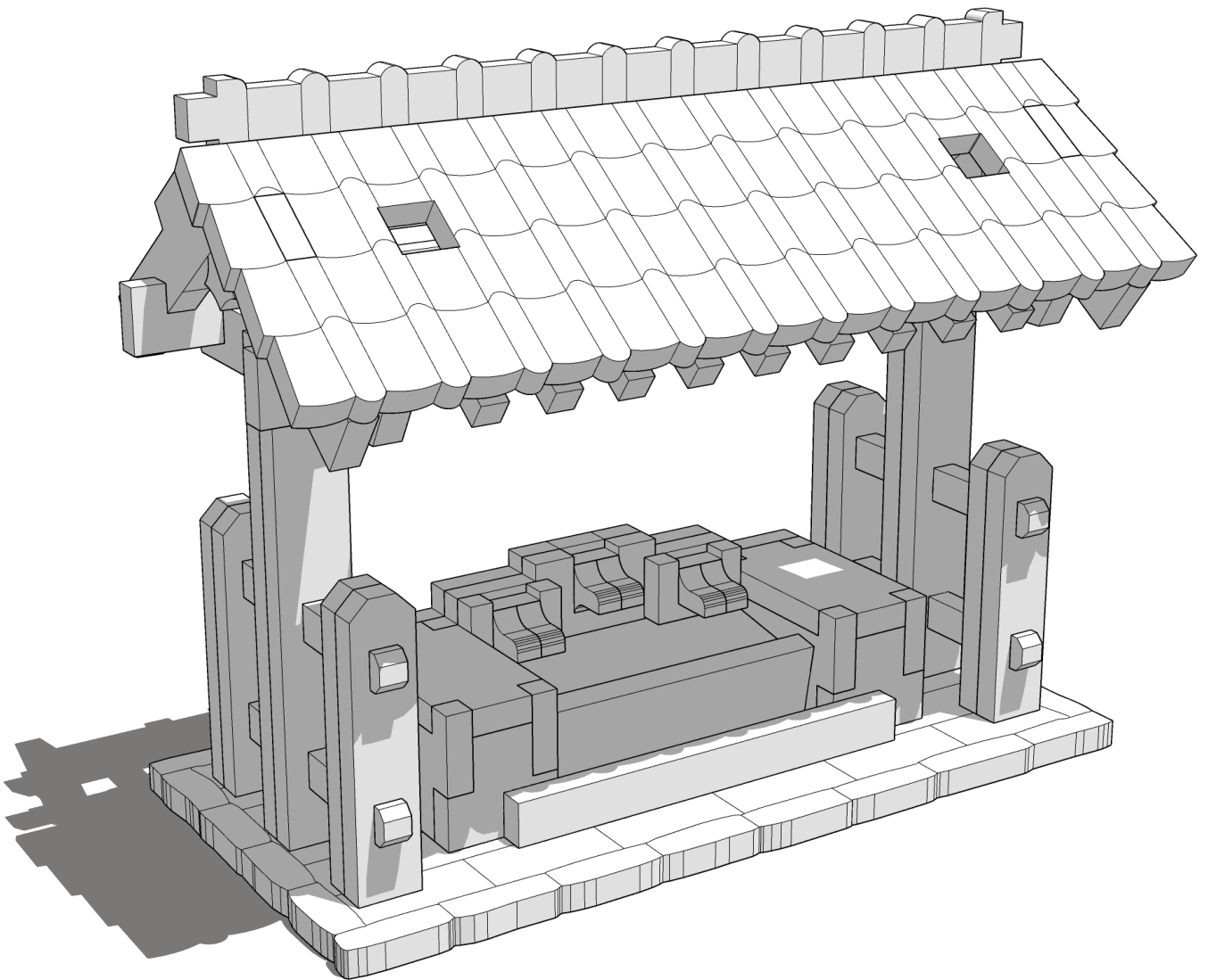




TABLETOP SCENICS

TTSCW-EES-100
Toshi:
Courtyard Walls

87

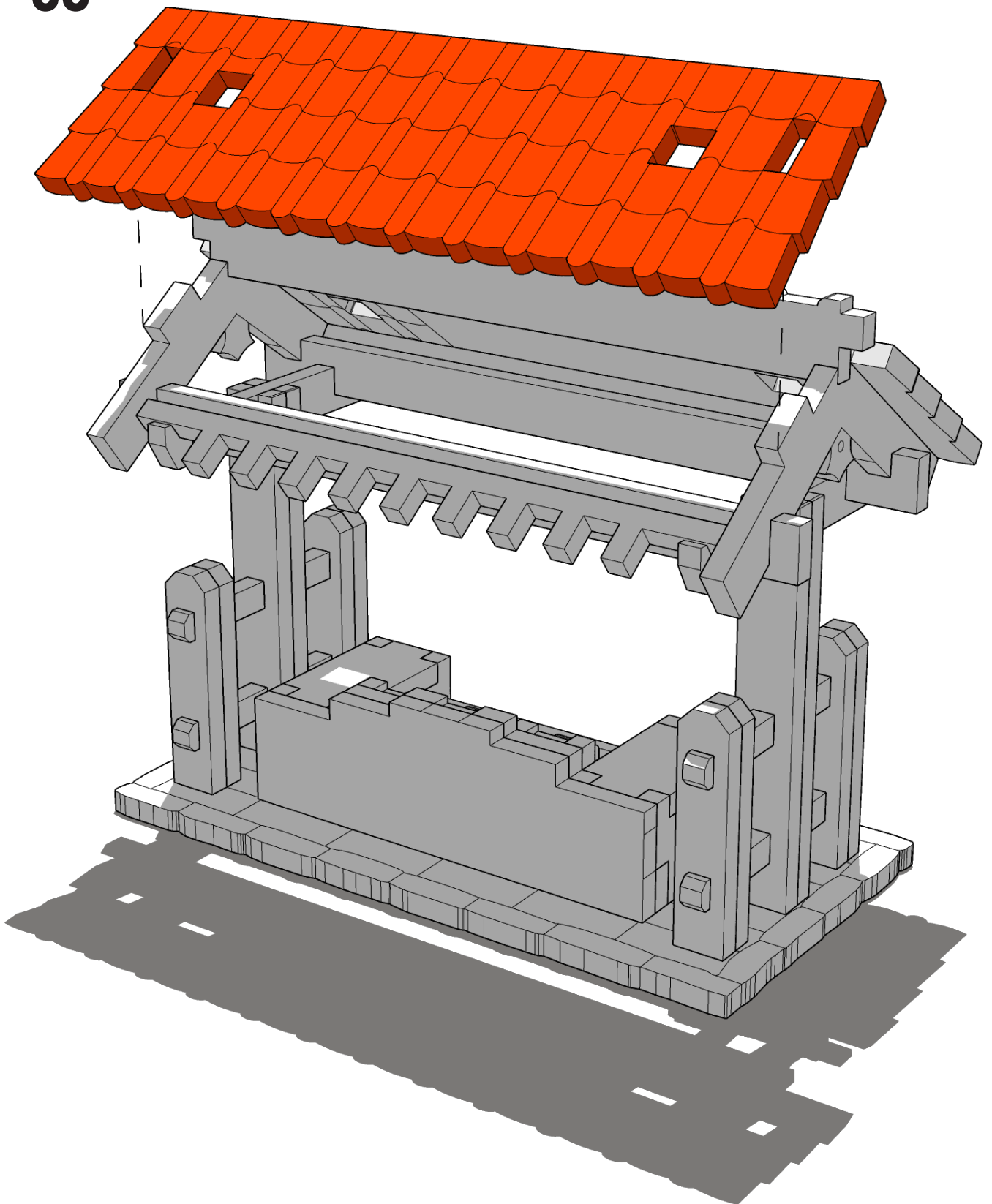




TABLETOP SCENICS

TTSCW-EES-100
Toshi:
Courtyard Walls

88

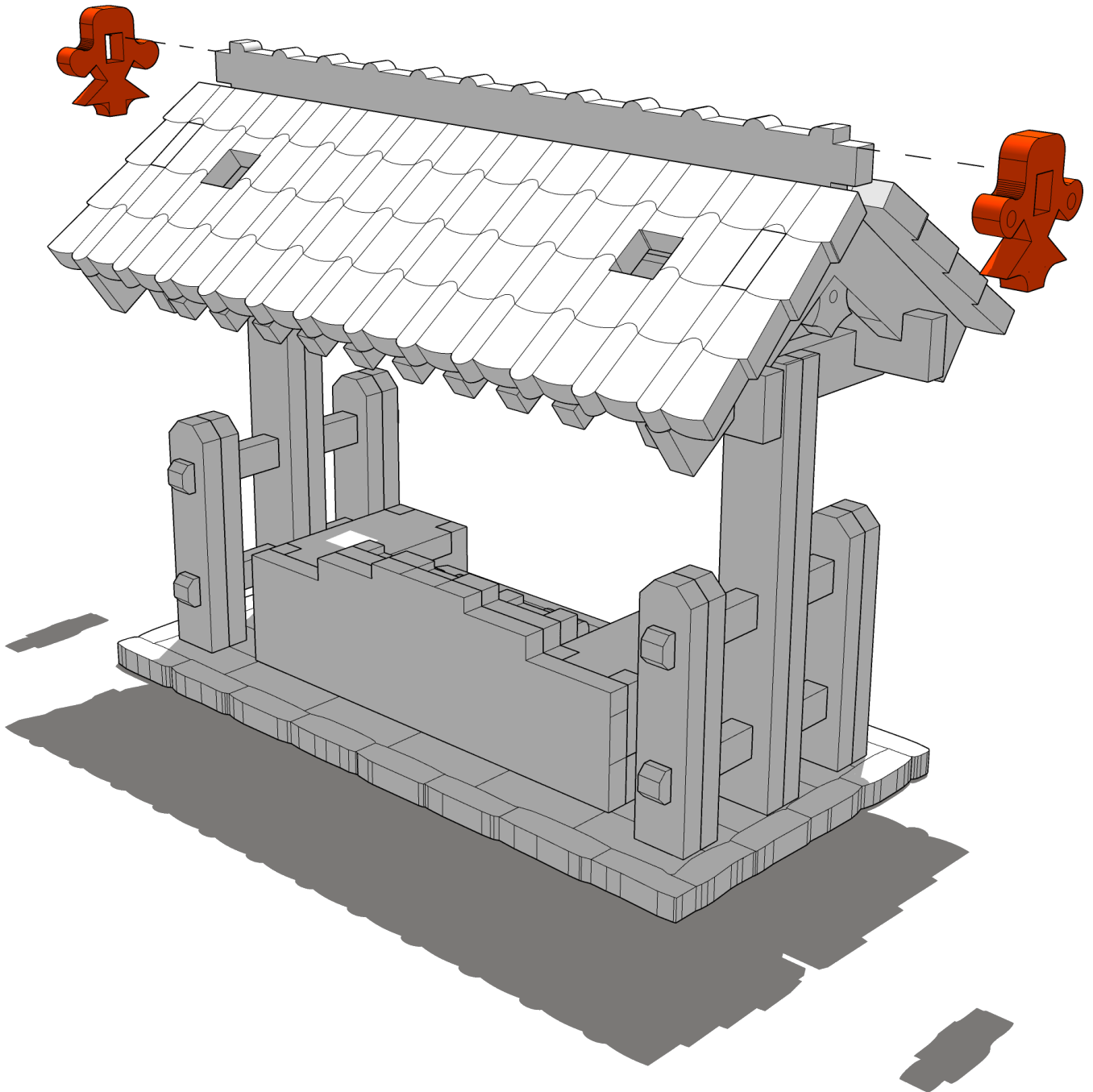




TABLETOP SCENICS

TTSCW-EES-100
Toshi:
Courtyard Walls

89

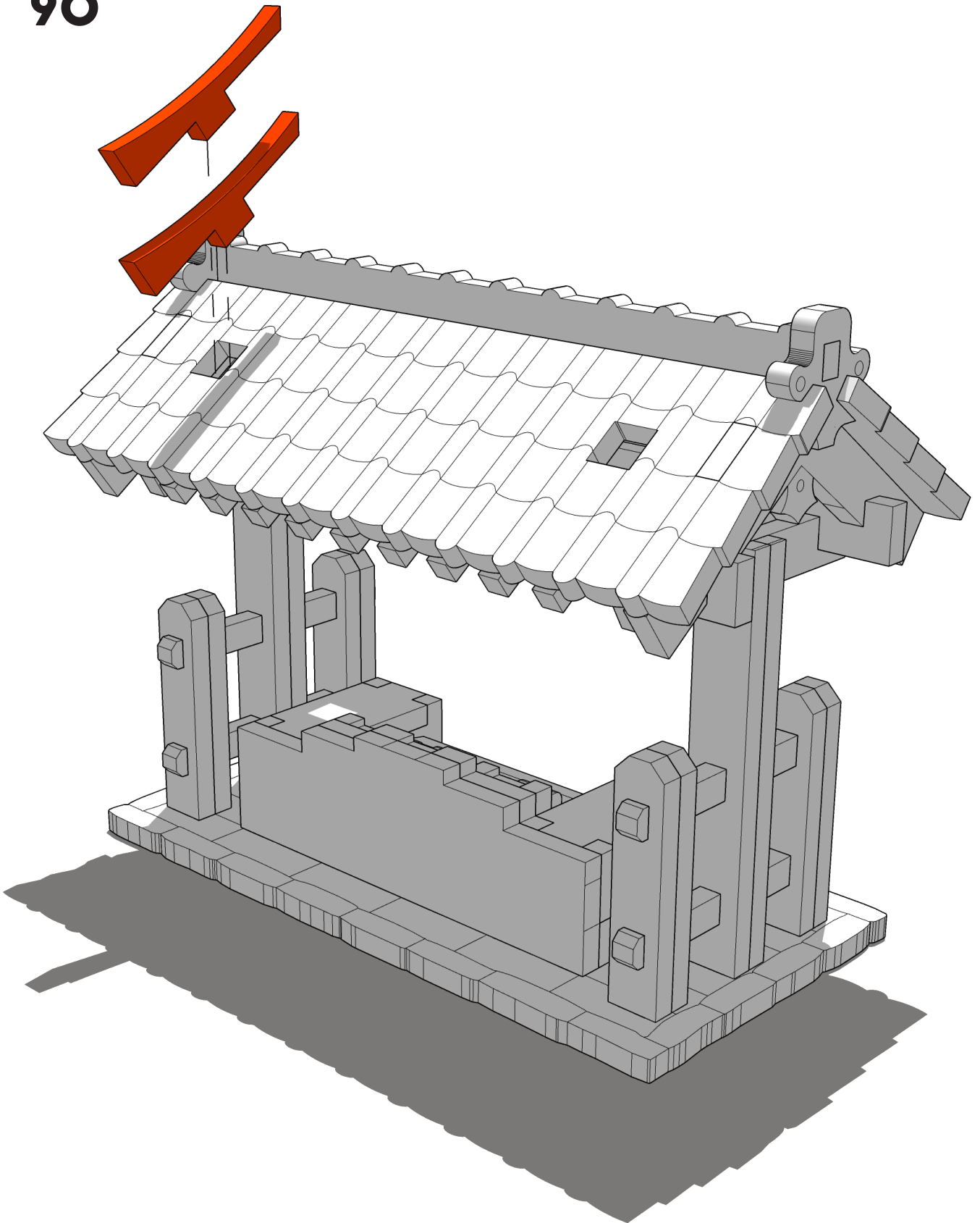




TABLETOP SCENICS

TTSCW-EES-100
Toshi:
Courtyard Walls

90

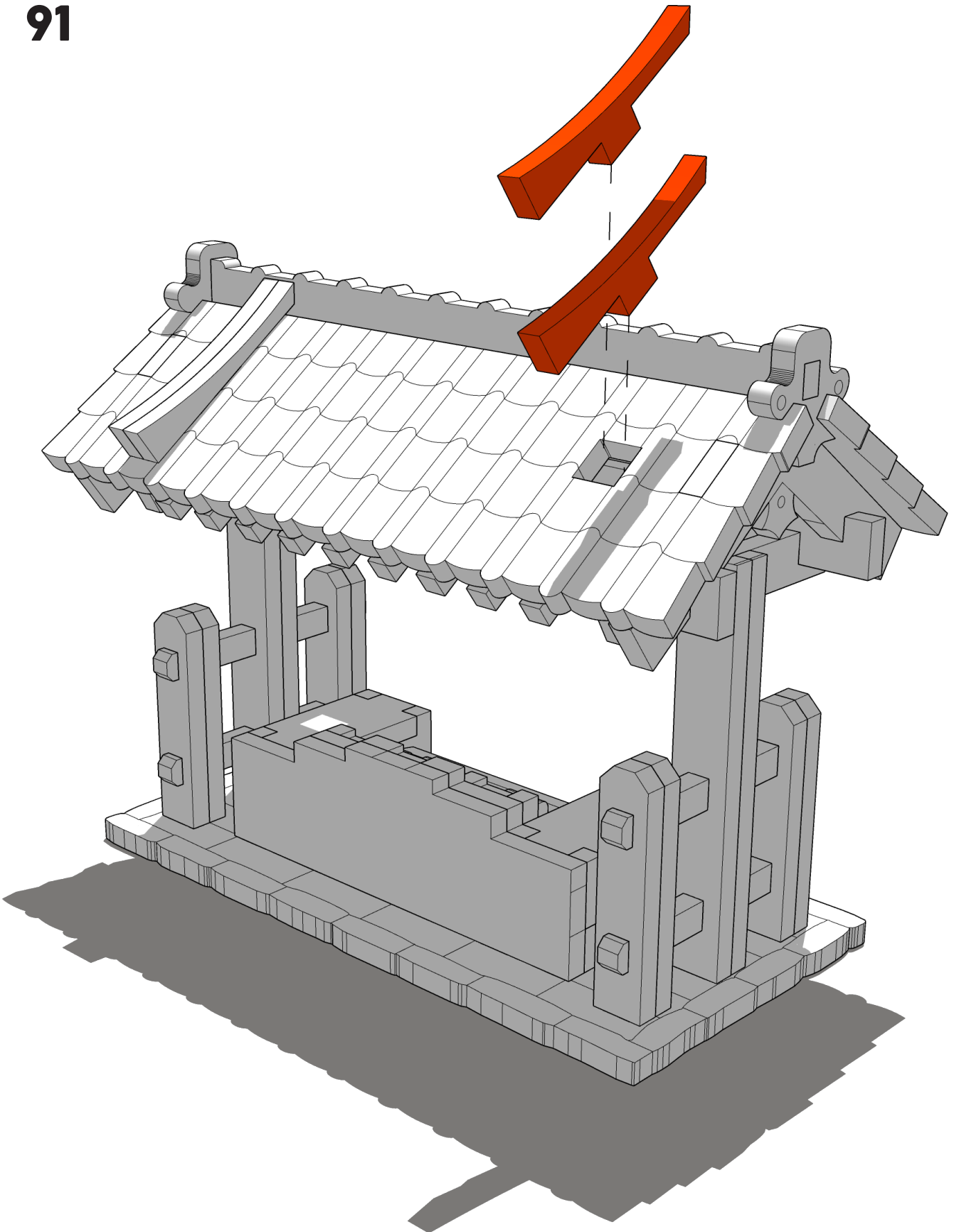




TABLETOP SCENICS

TTSCW-EES-100
Toshi:
Courtyard Walls

91

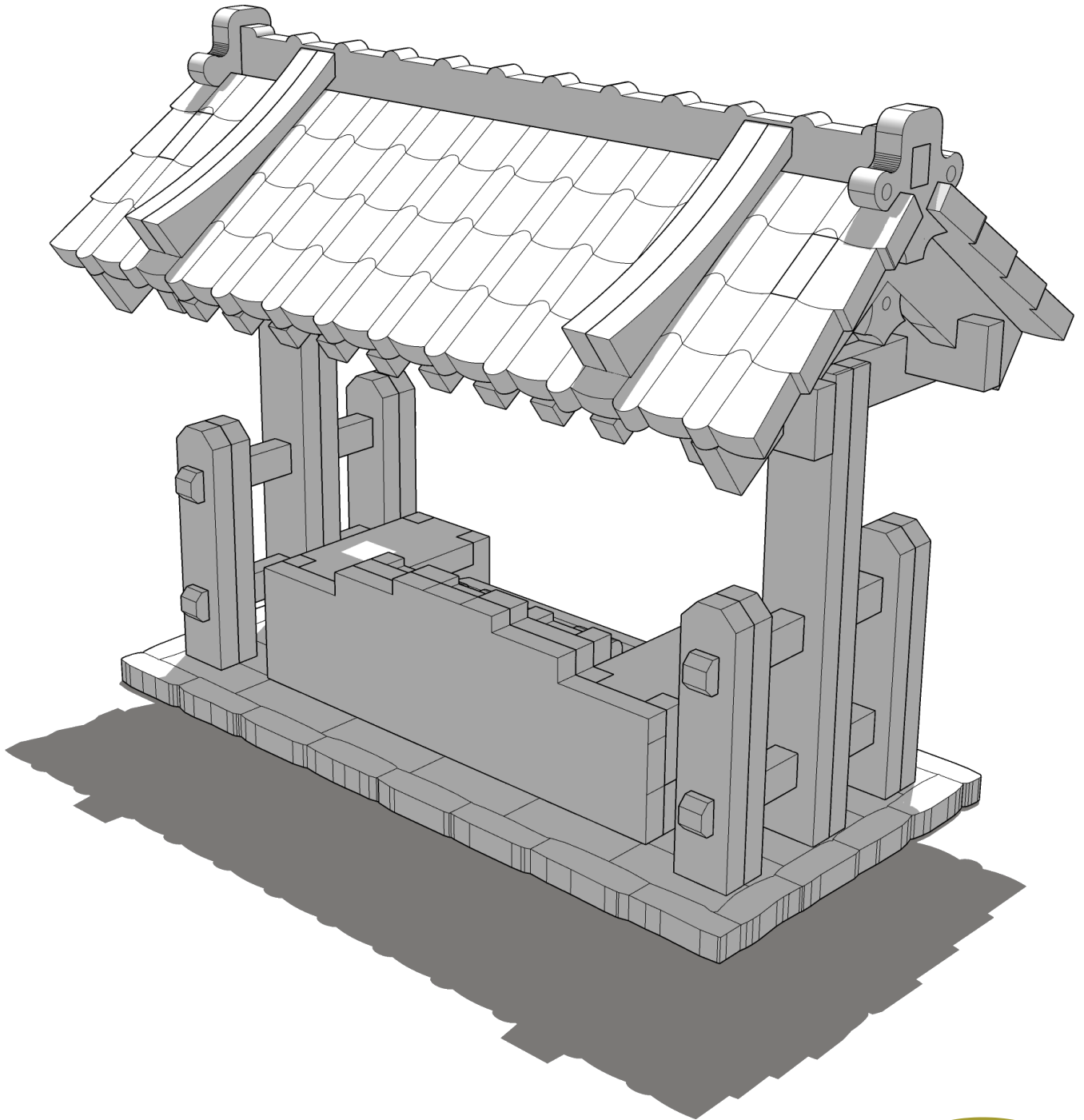




TABLETOP SCENICS

TTSCW-EES-100
Toshi:
Courtyard Walls

92

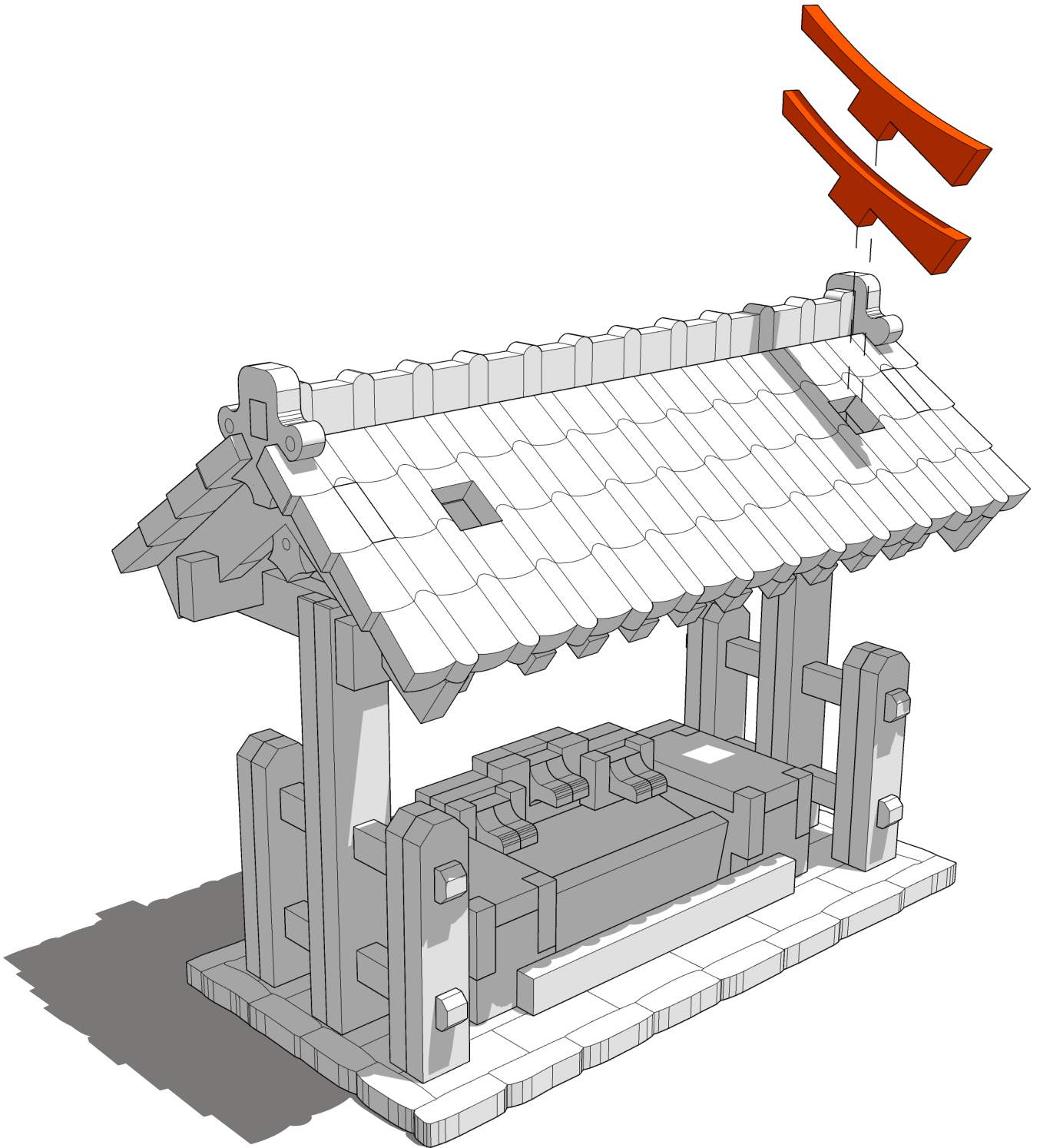




TABLETOP SCENICS

TTSCW-EES-100
Toshi:
Courtyard Walls

93

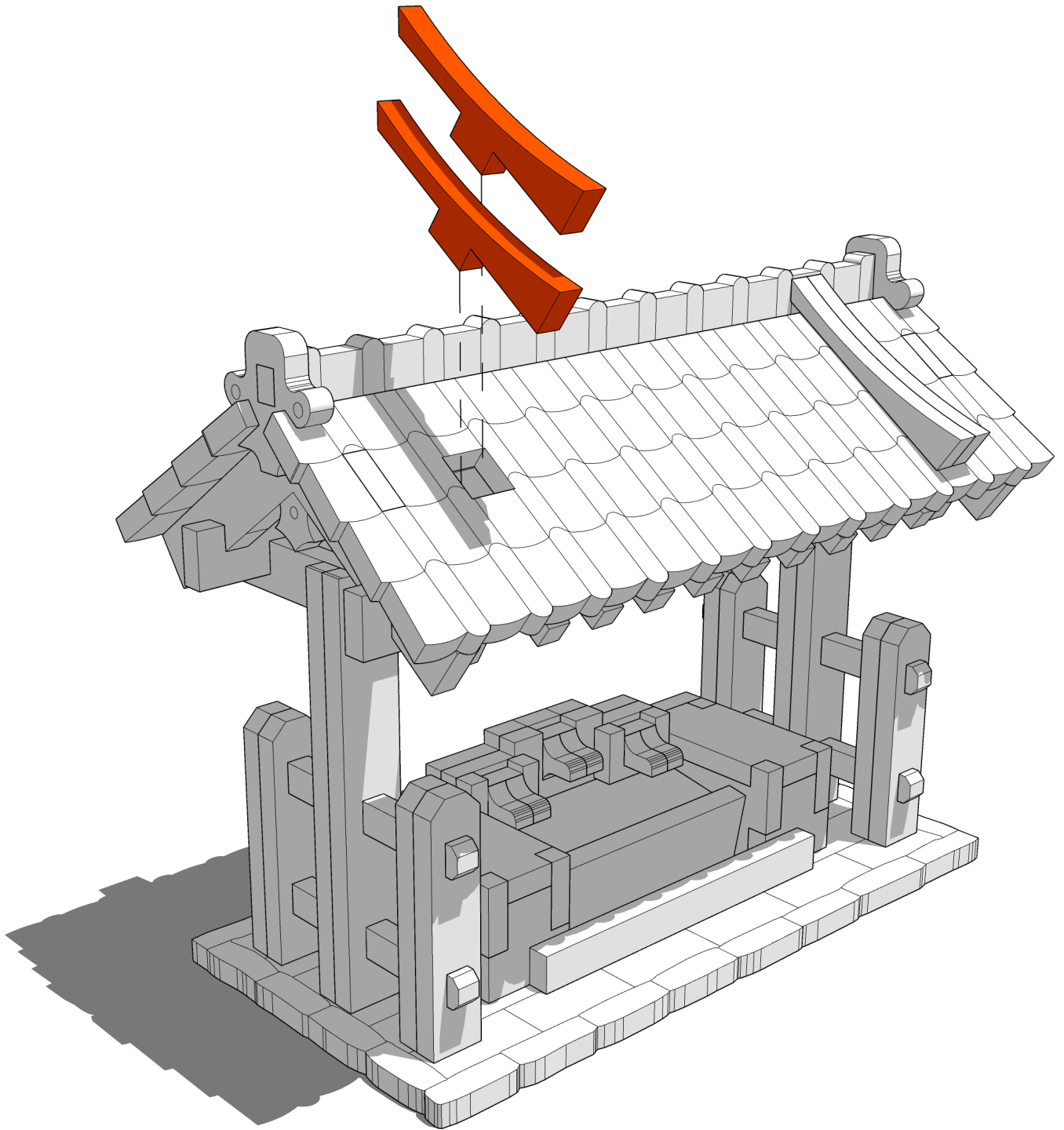




TABLETOP SCENICS

TTSCW-EES-100
Toshi:
Courtyard Walls

94

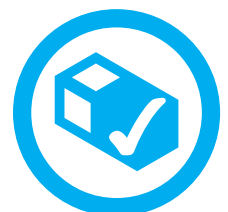
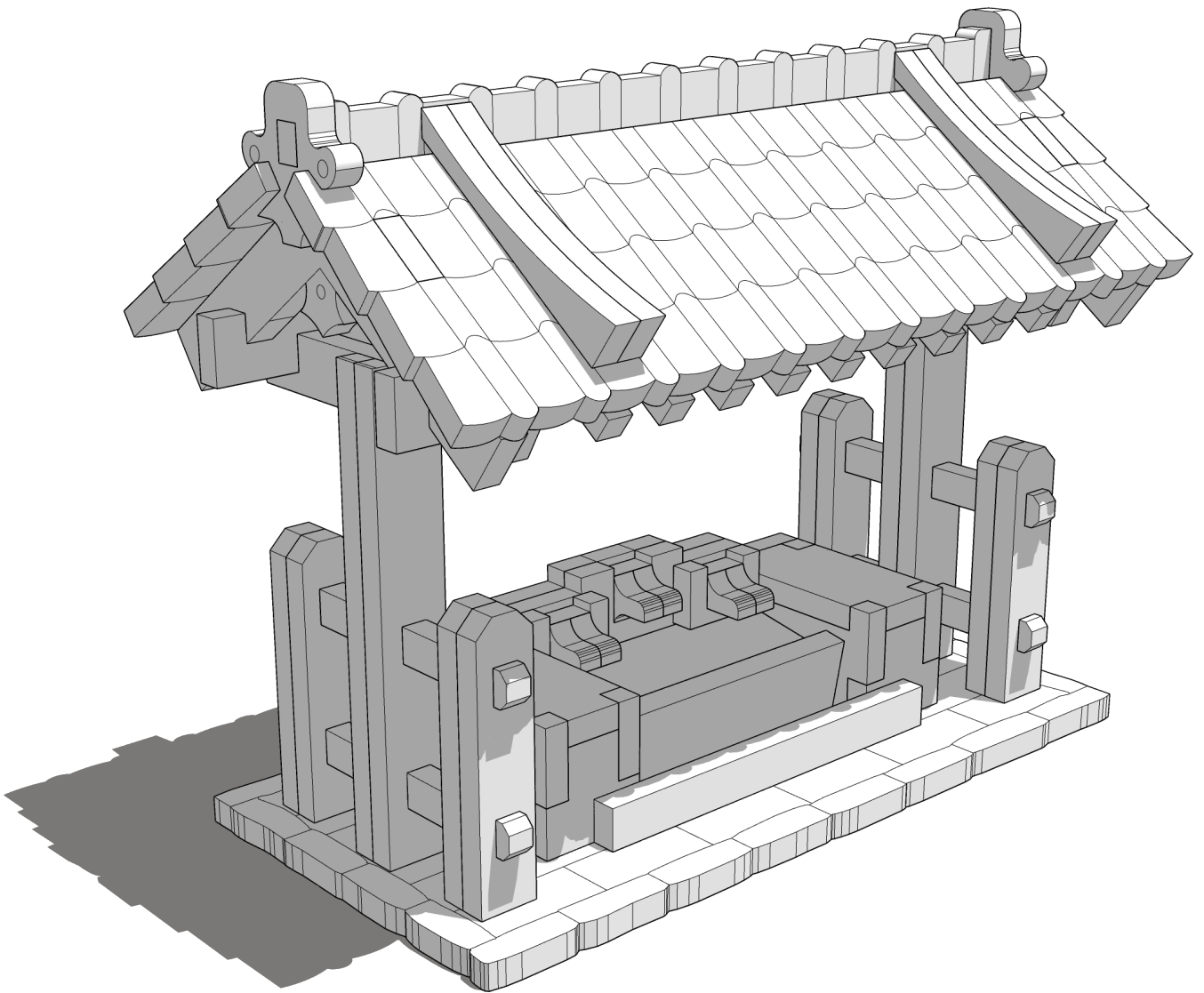




TABLETOP SCENICS

TTSCW-EES-100
Toshi:
Courtyard Walls

95



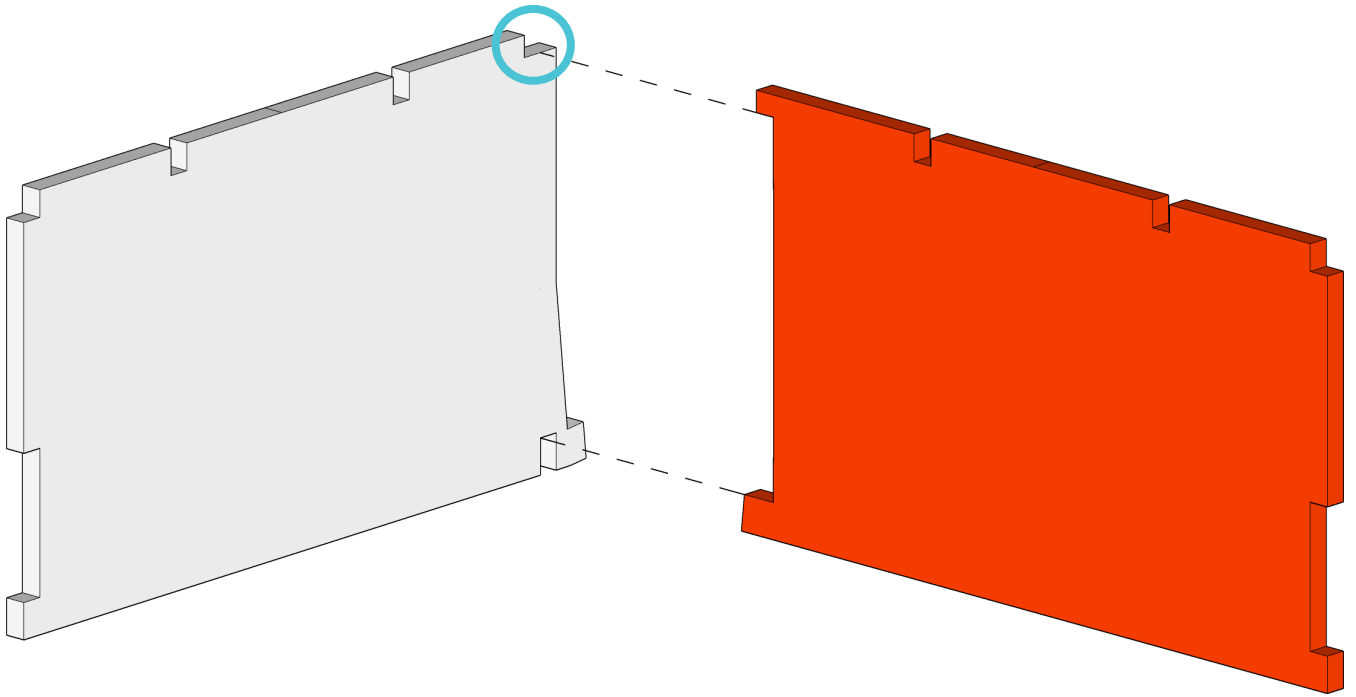
 TTCOMBAT



TABLETOP SCENICS

TTSCW-EES-100
Toshi:
Courtyard Walls

96



A 3mm gap will remain between the walls, where circled, for the
step on pg100



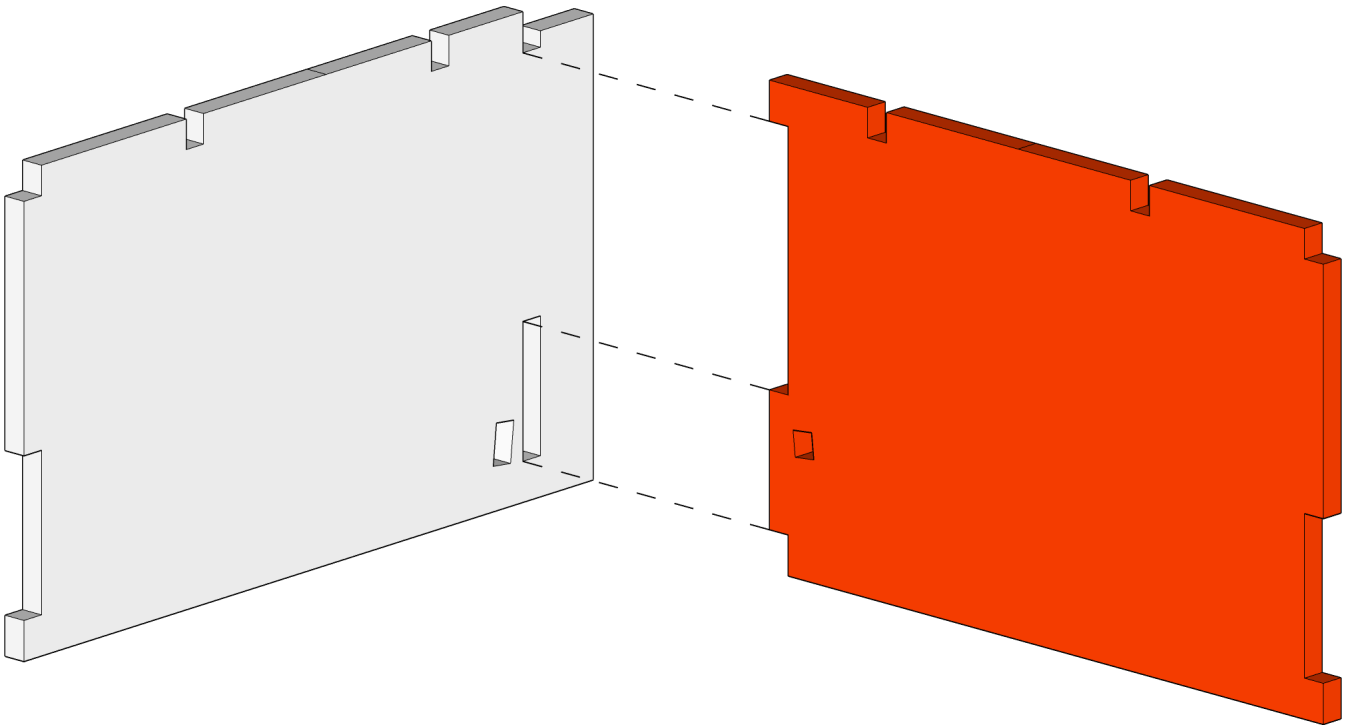
 **TTCOMBAT**



TABLETOP SCENICS

TTSCW-EES-100
Toshi:
Courtyard Walls

97

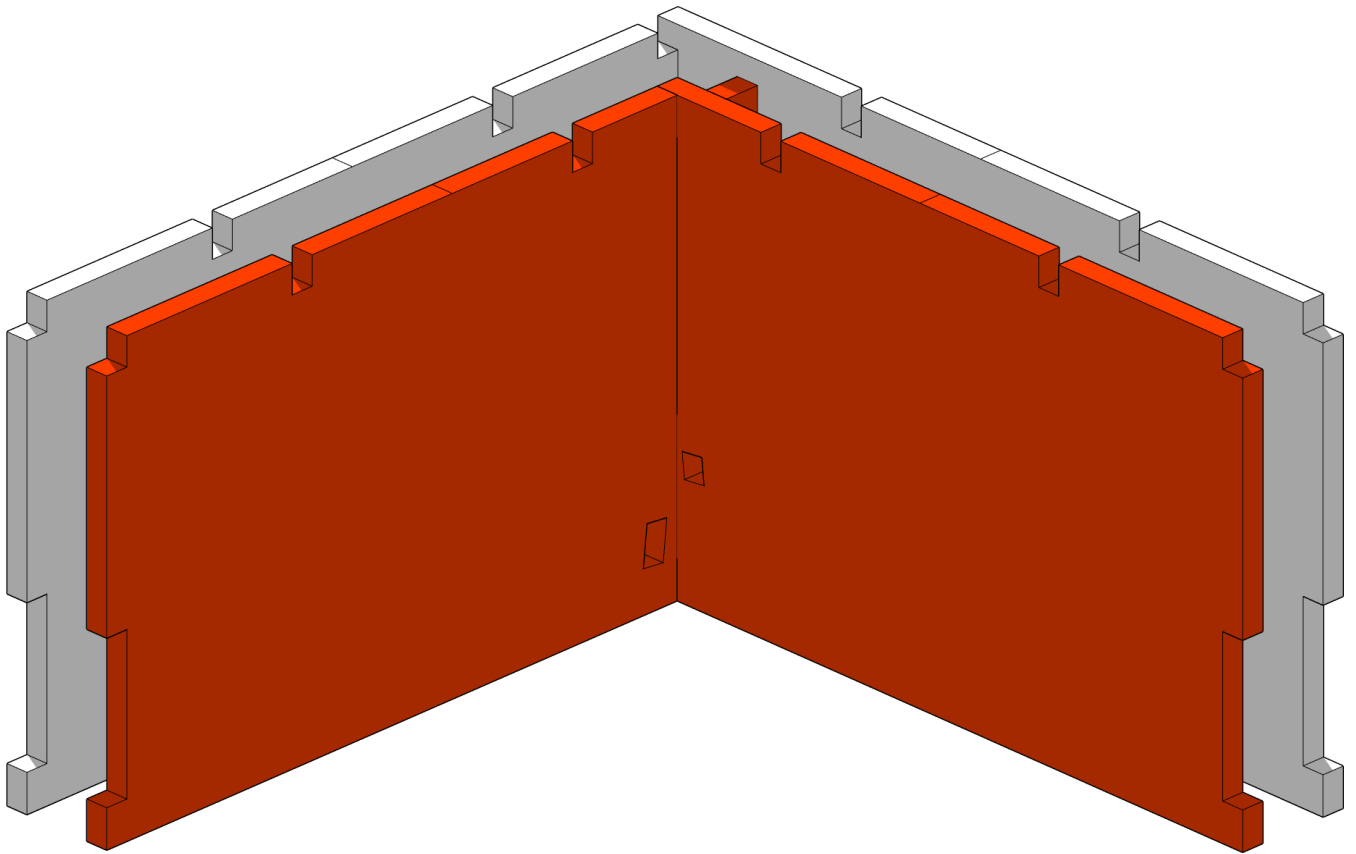




TABLETOP SCENICS

TTSCW-EES-100
Toshi:
Courtyard Walls

98



This is the position of the pieces from pages 96 & 97 for the following steps. Page 97 part, is highlighted

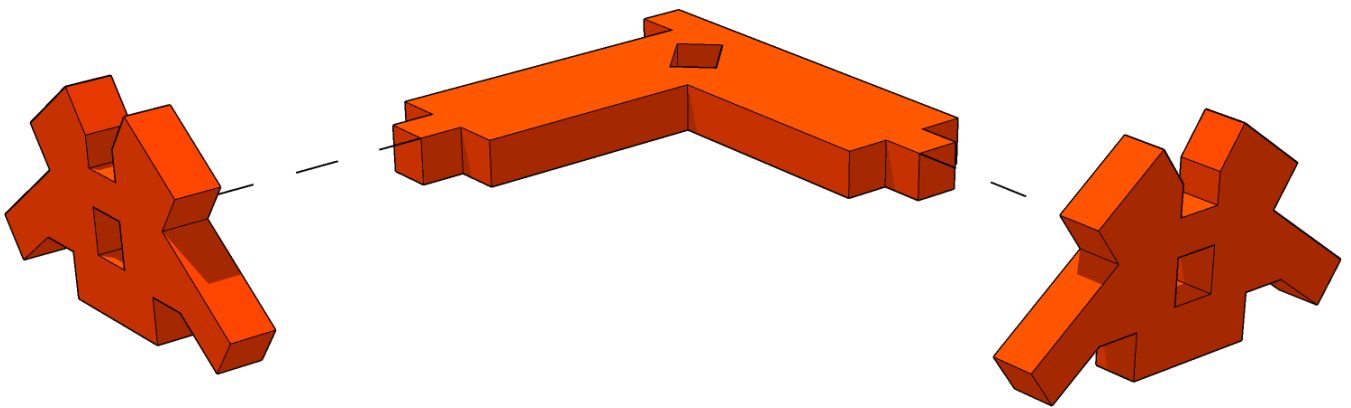




TABLETOP SCENICS

TTSCW-EES-100
Toshi:
Courtyard Walls

99

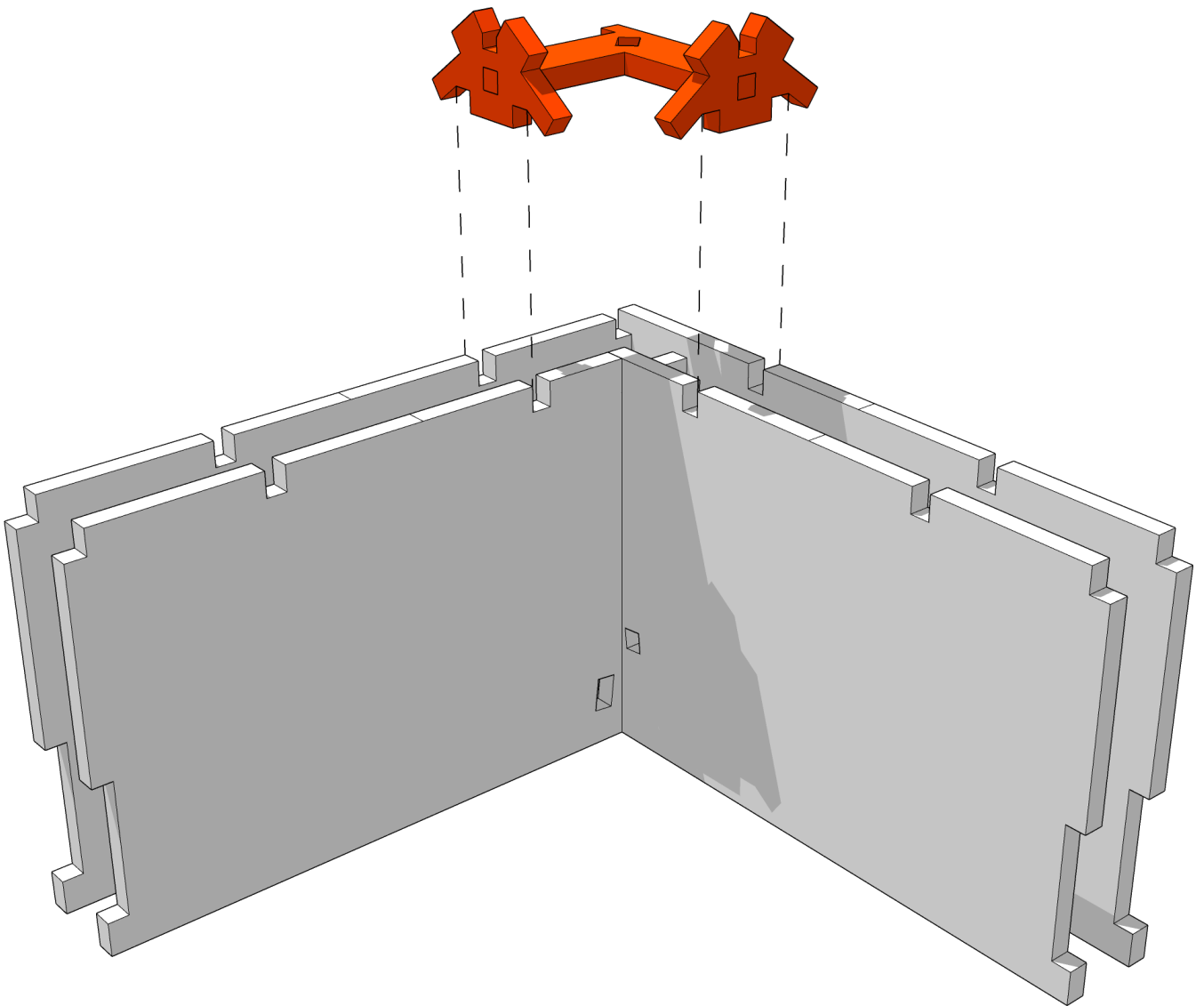




TABLETOP SCENICS

100

TTSCW-EES-100
Toshi:
Courtyard Walls

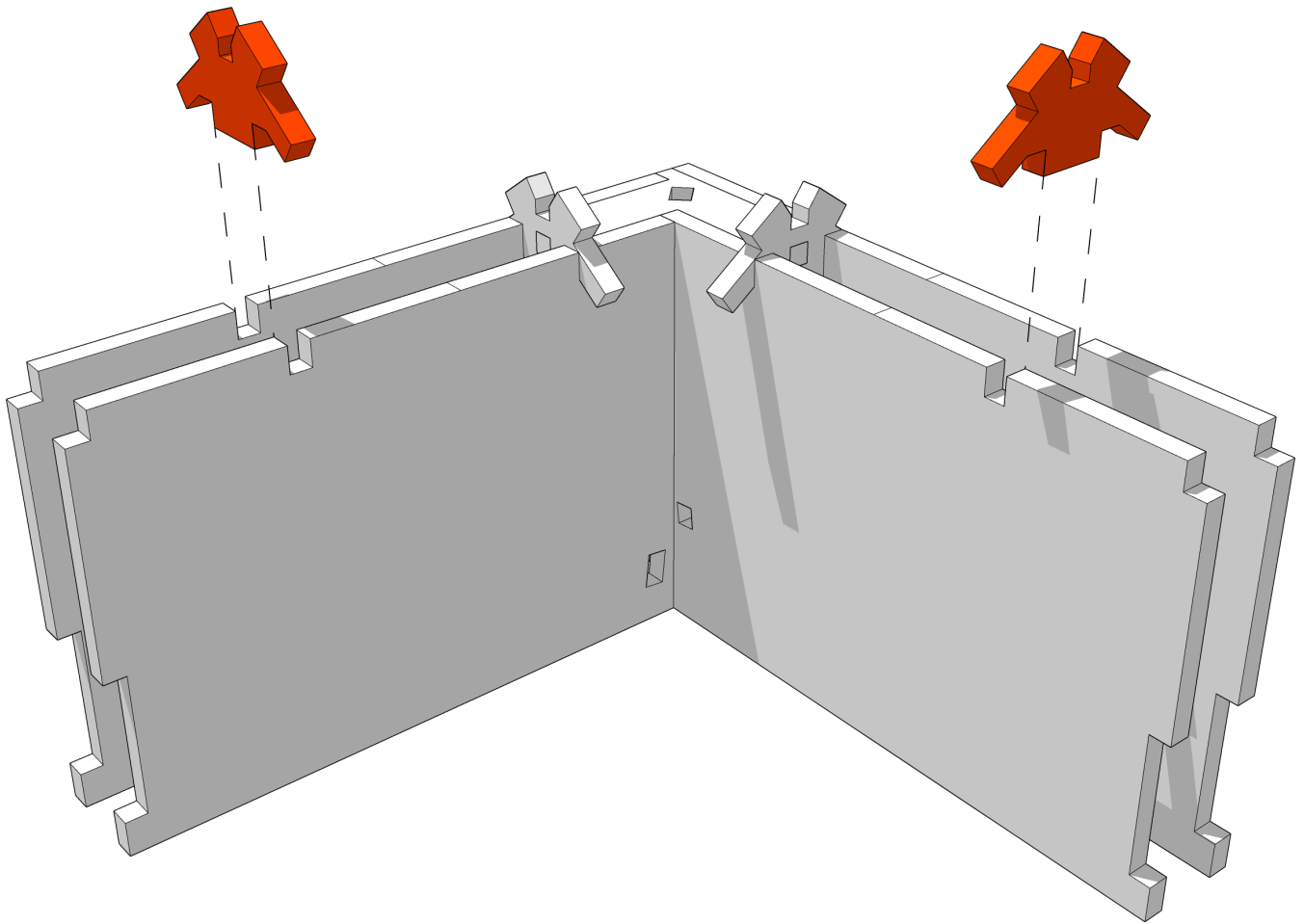




TABLETOP SCENICS

TTSCW-EES-100
Toshi:
Courtyard Walls

101

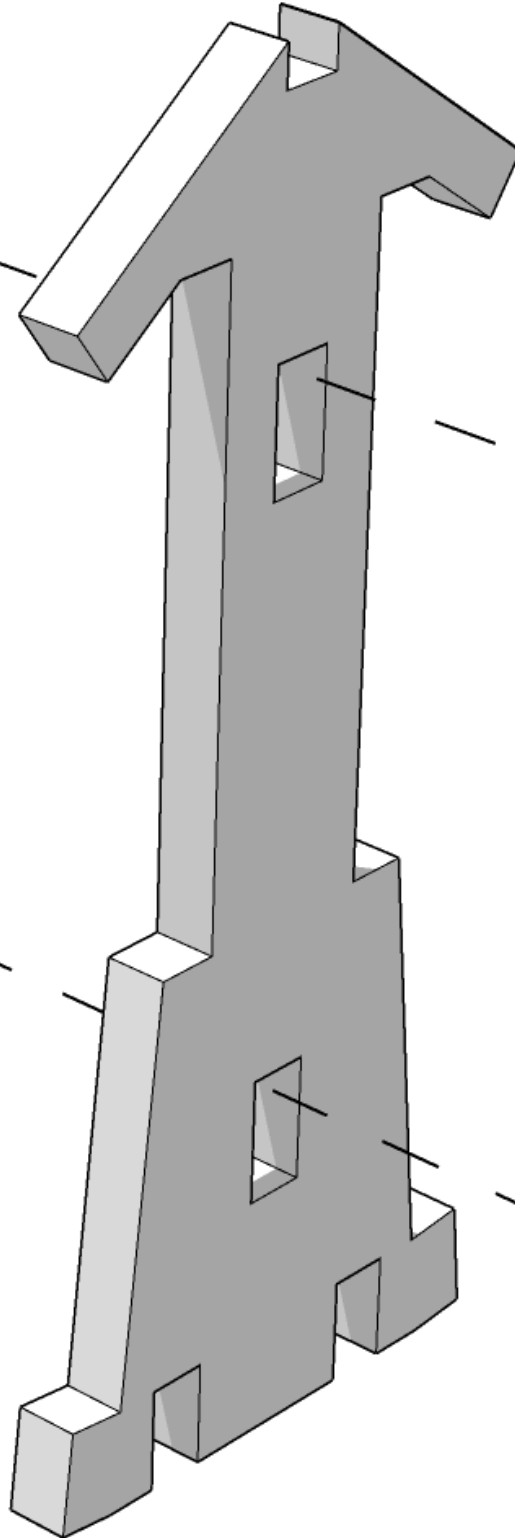
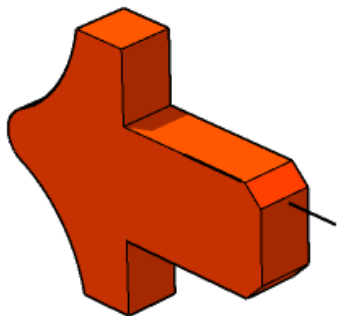
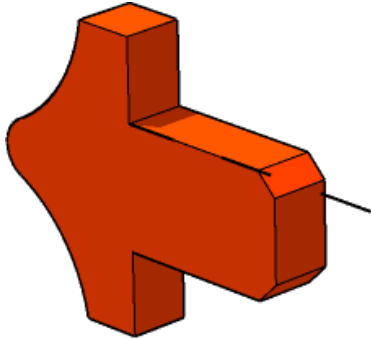




TABLETOP SCENICS

TTSCW-EES-100
Toshi:
Courtyard Walls

102

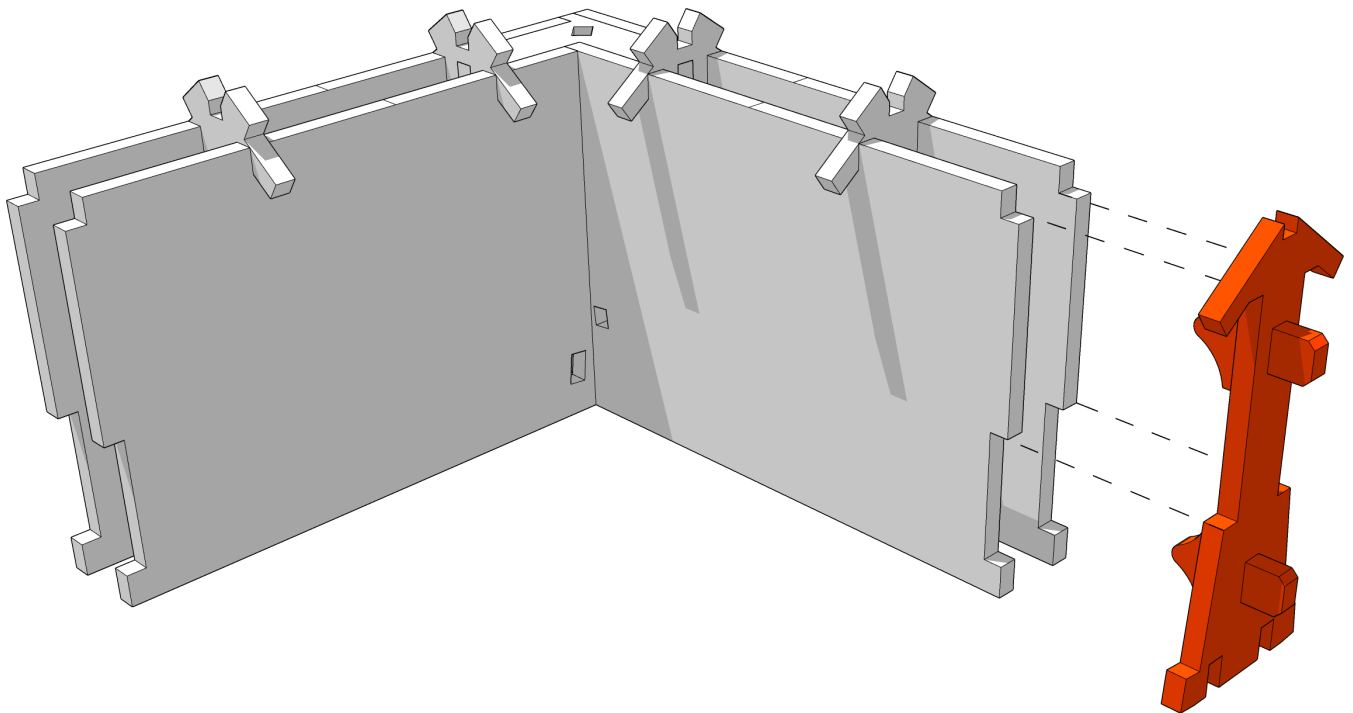




TABLETOP SCENICS

TTSCW-EES-100
Toshi:
Courtyard Walls

103



Check positioning, highlighted part must be placed onto this wall section



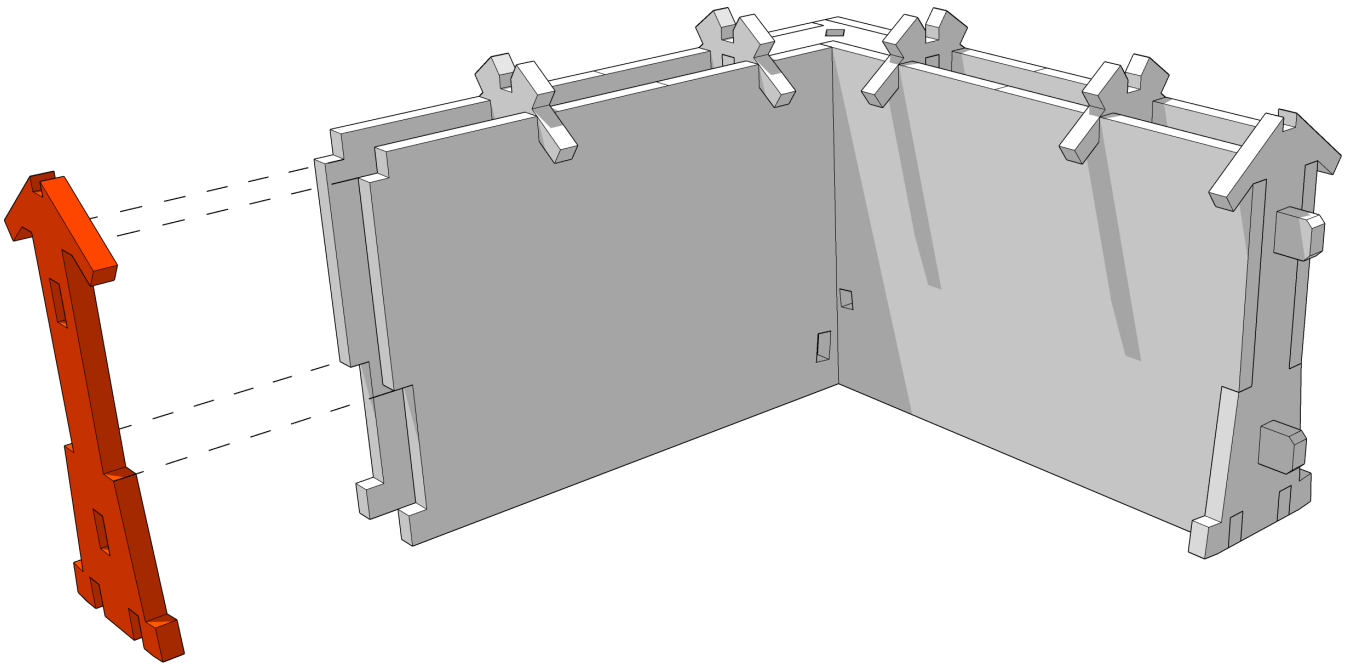
 **TTCOMBAT**



TABLETOP SCENICS

TTSCW-EES-100
Toshi:
Courtyard Walls

104

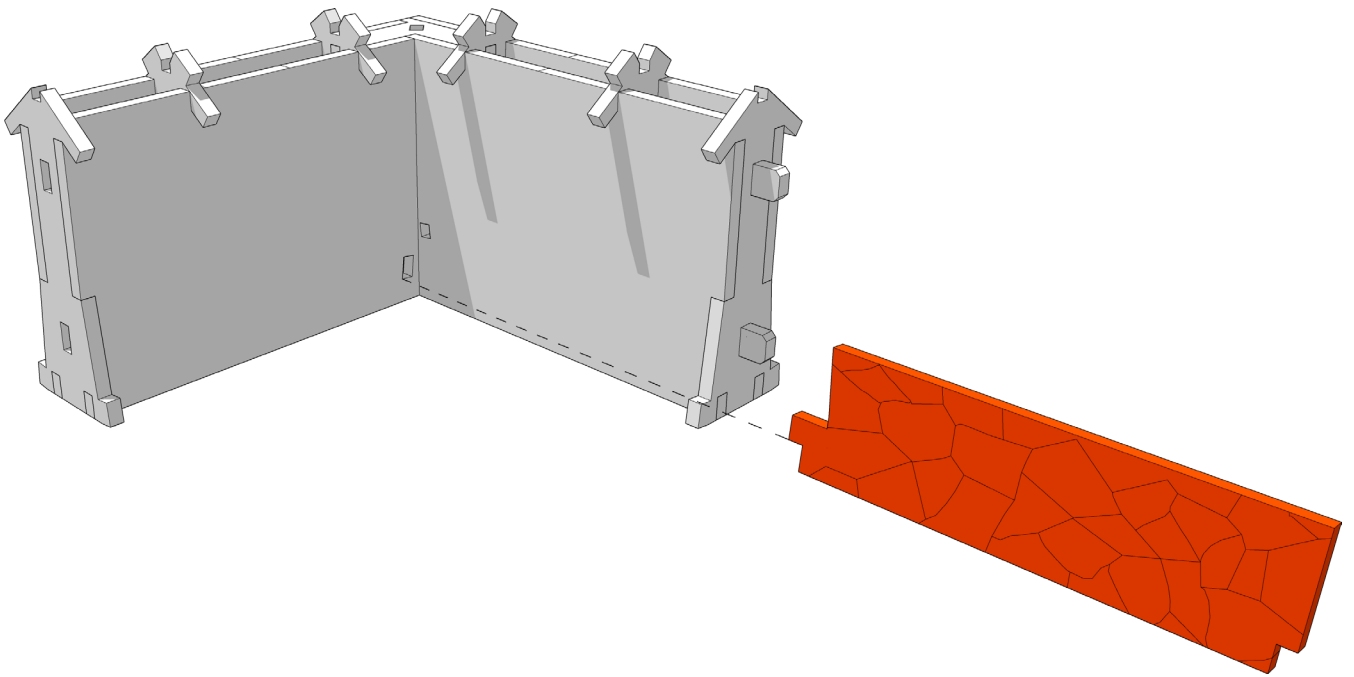




TABLETOP SCENICS

105

TTSCW-EES-100
Toshi:
Courtyard Walls

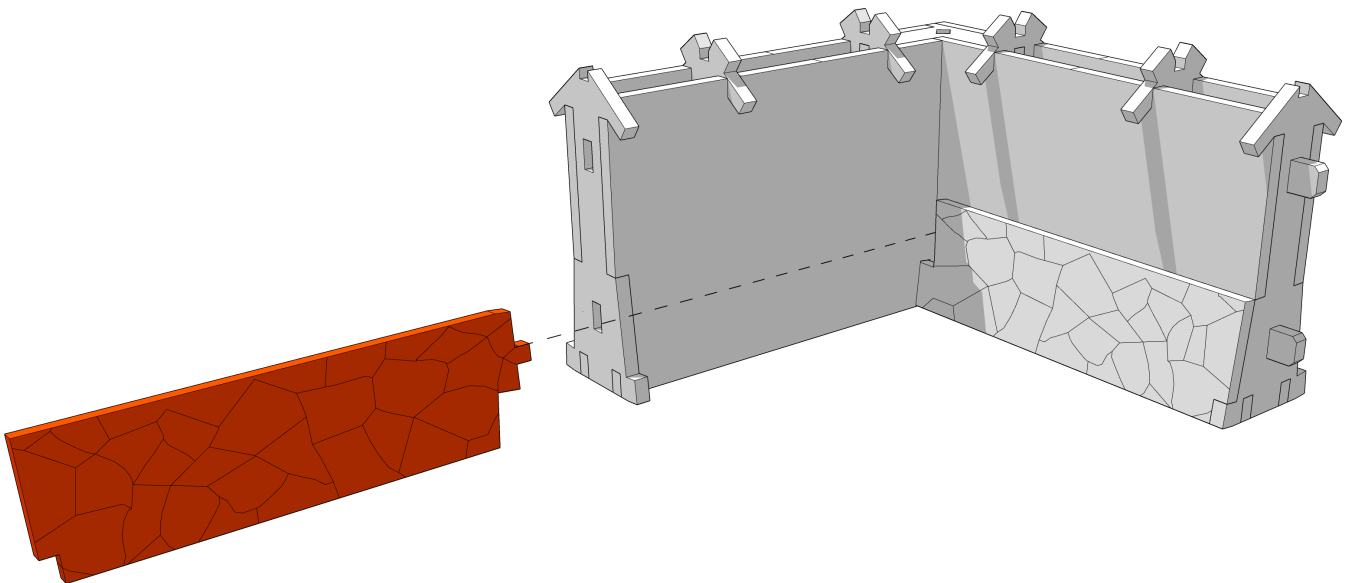




TABLETOP SCENICS

TTSCW-EES-100
Toshi:
Courtyard Walls

106

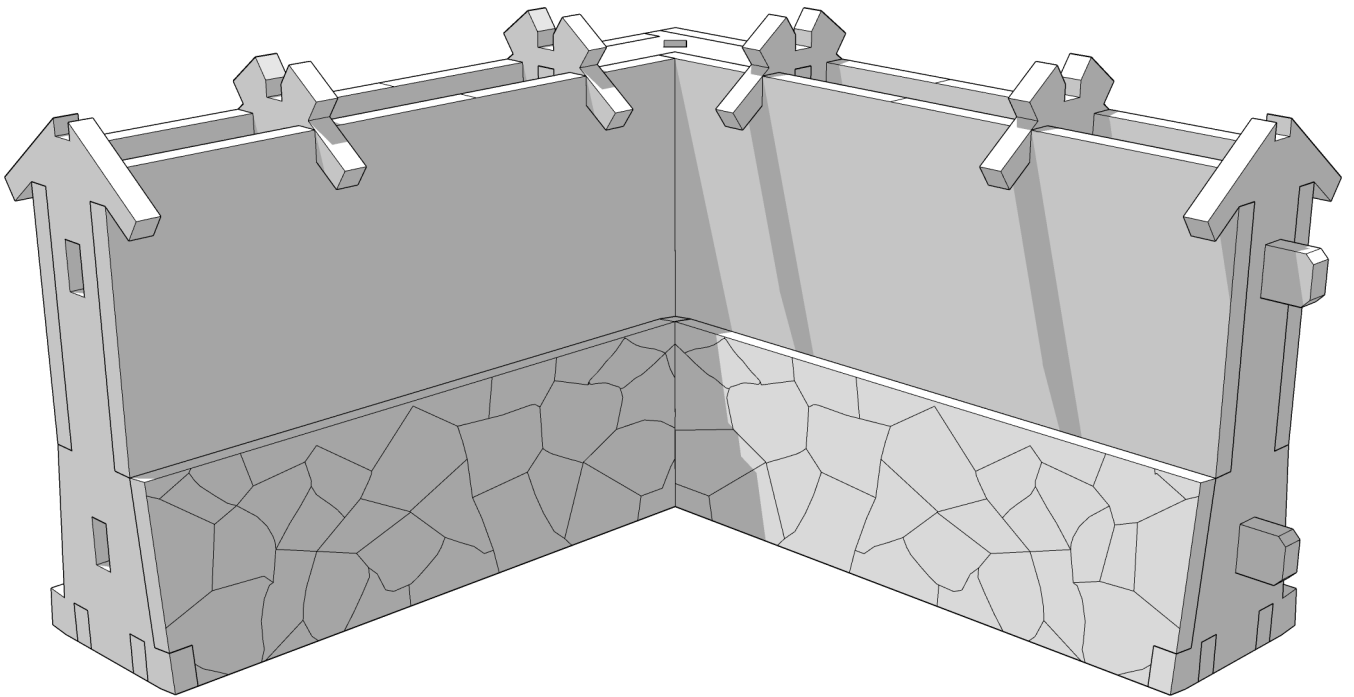




TABLETOP SCENICS

TTSCW-EES-100
Toshi:
Courtyard Walls

107

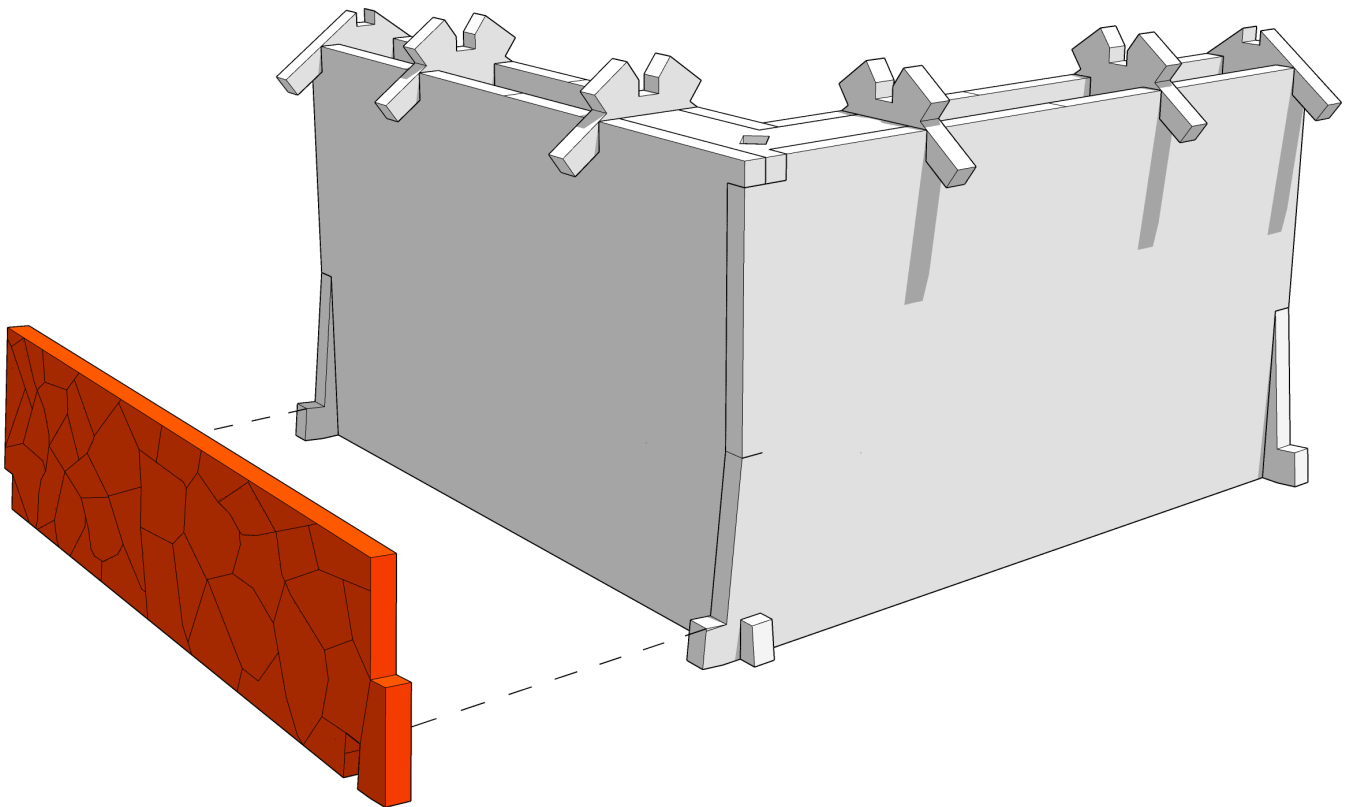




TABLETOP SCENICS

TTSCW-EES-100
Toshi:
Courtyard Walls

108

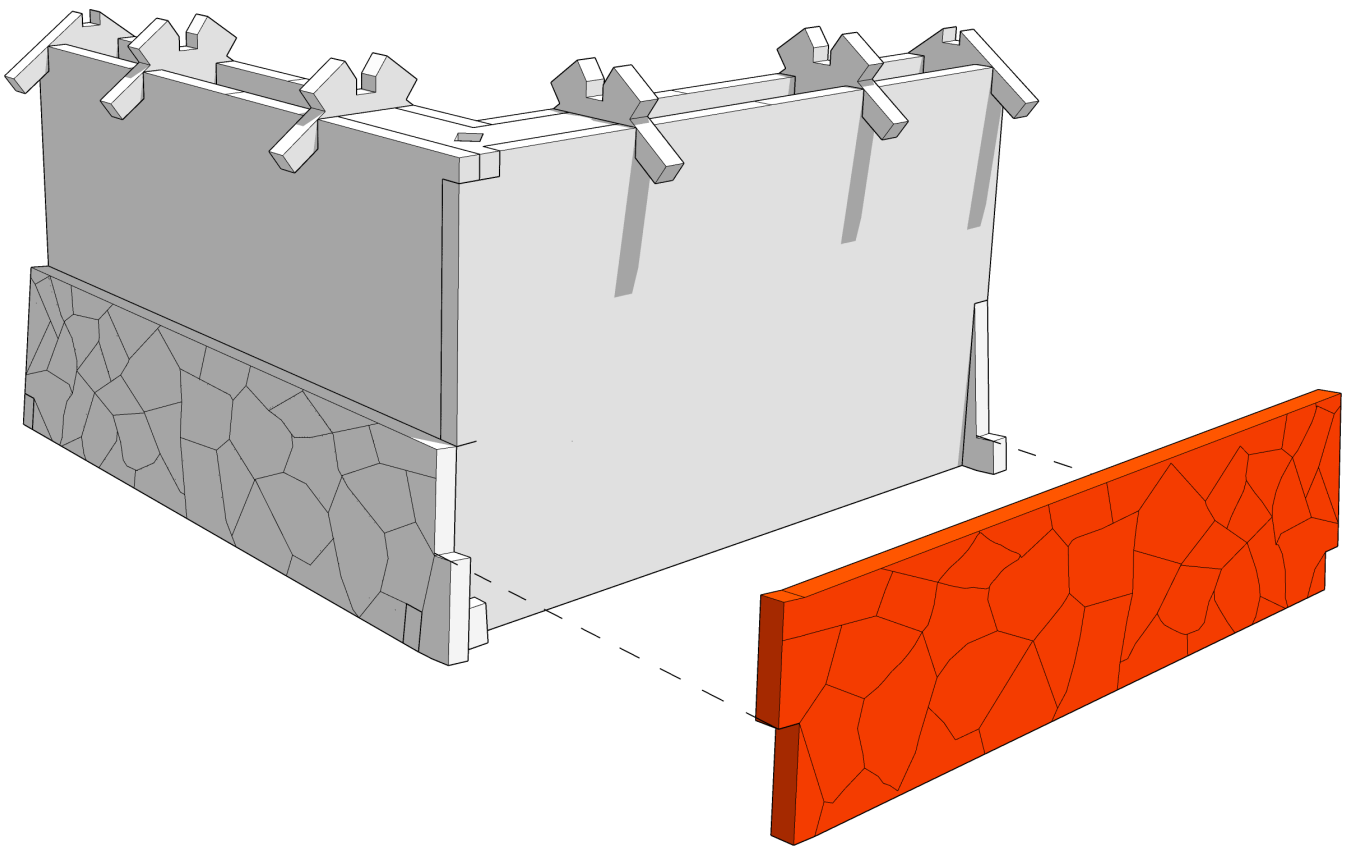




TABLETOP SCENICS

TTSCW-EES-100
Toshi:
Courtyard Walls

109

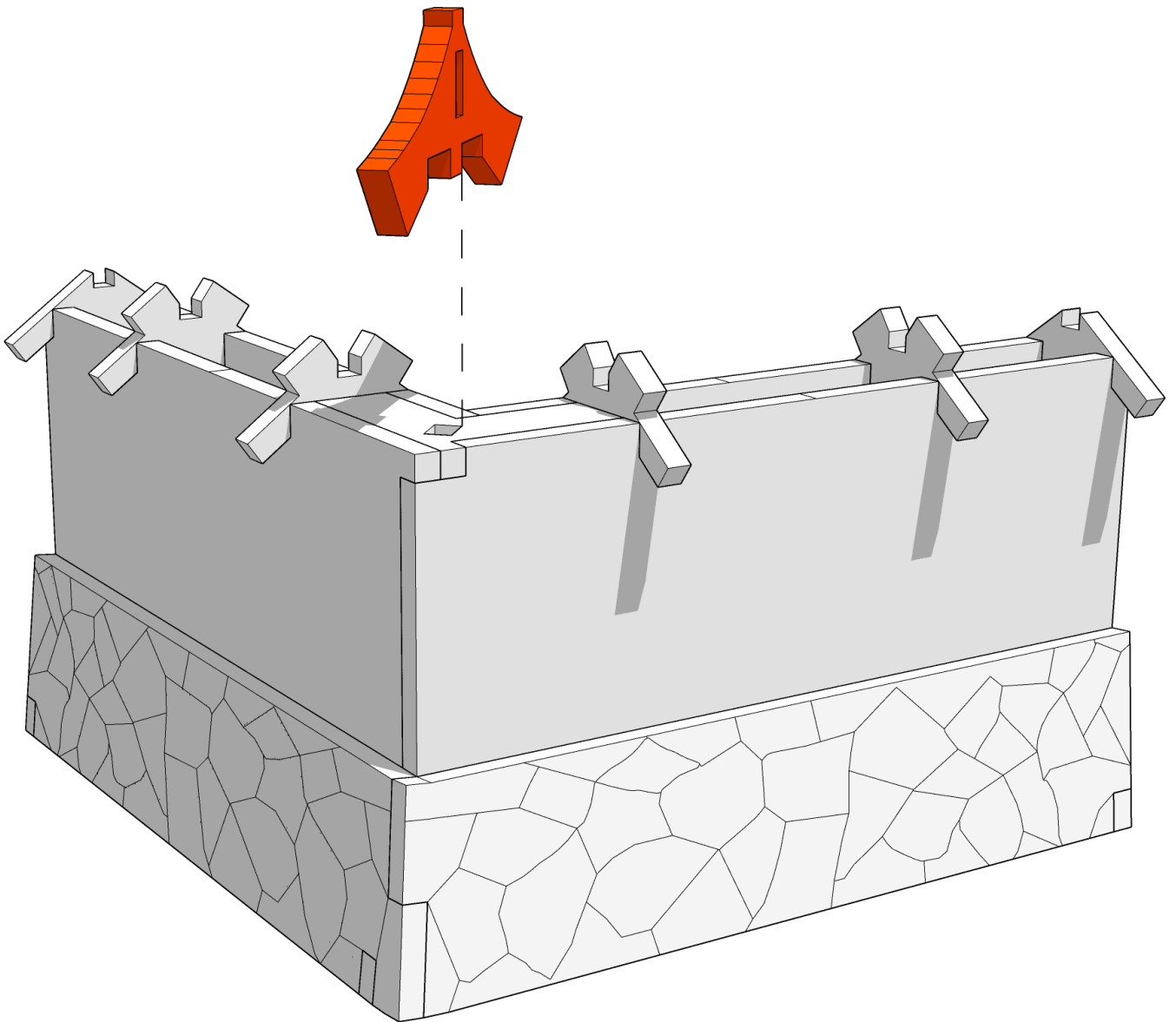




TABLETOP SCENICS

TTSCW-EES-100
Toshi:
Courtyard Walls

110

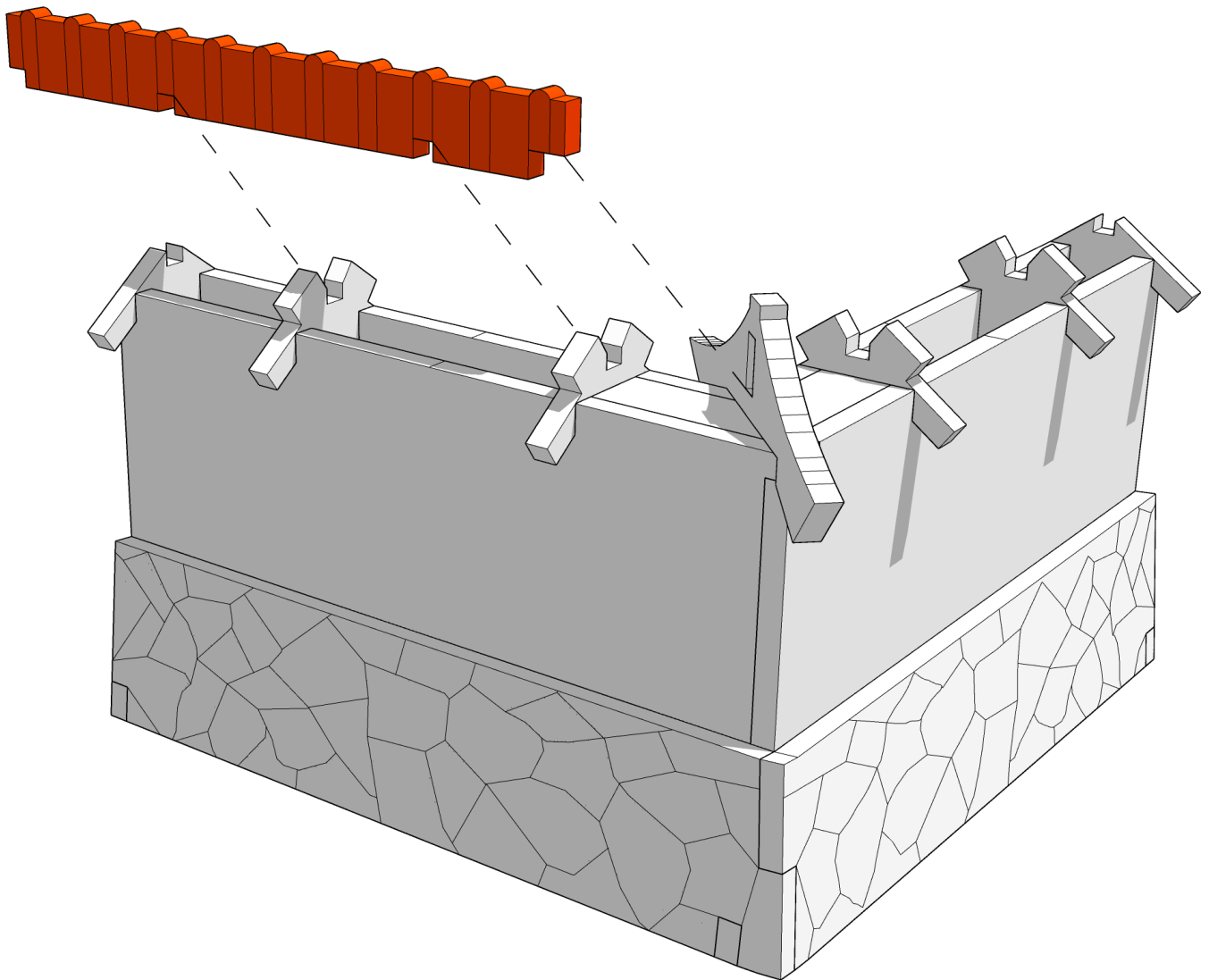




TABLETOP SCENICS

TTSCW-EES-100
Toshi:
Courtyard Walls

111



Highlighted part slots into the piece from the previous step and onto the wall cross sections.



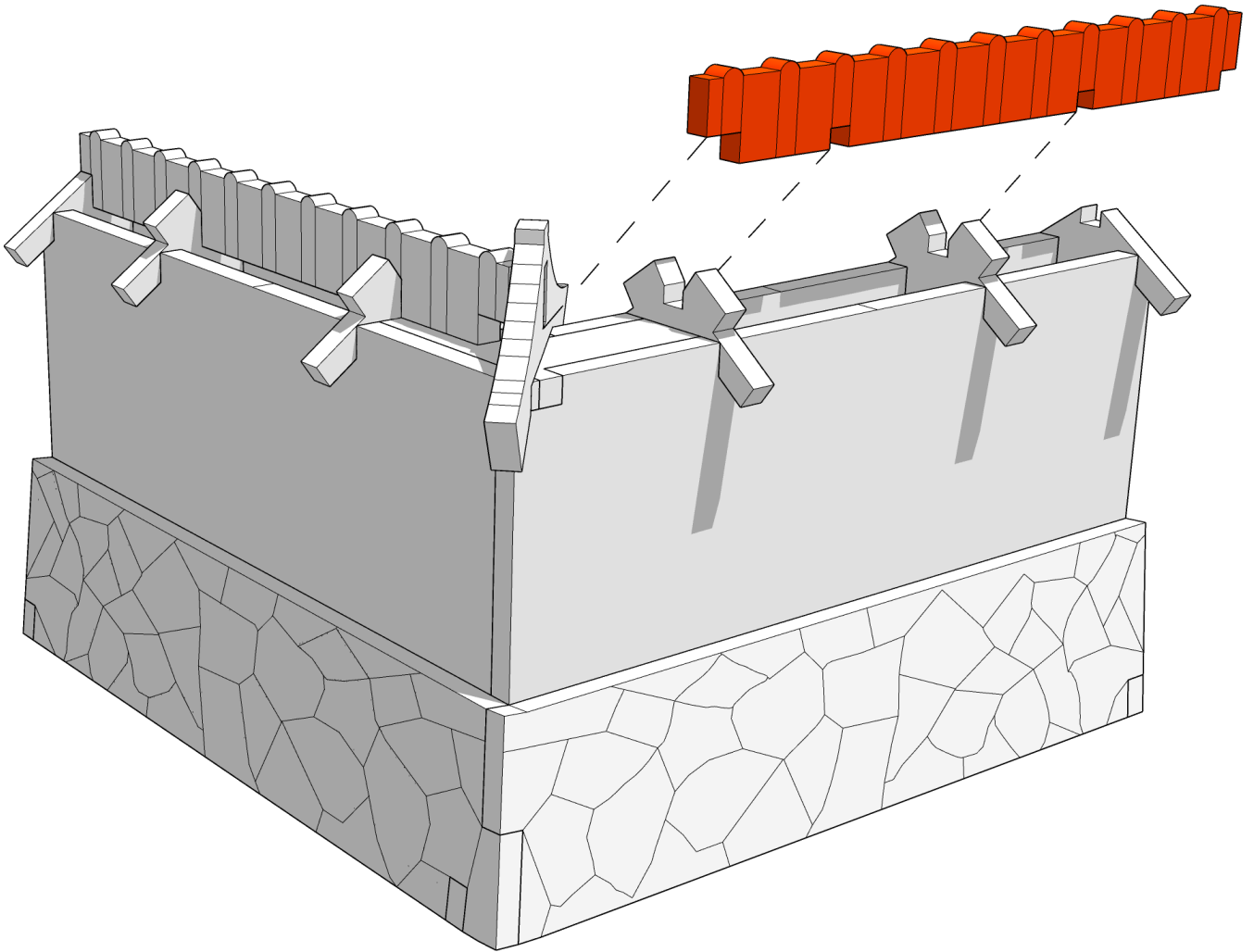
 **TTCOMBAT**



TABLETOP SCENICS

TTSCW-EES-100
Toshi:
Courtyard Walls

112



Highlighted part slots into the piece from the previous step and onto the wall cross sections.



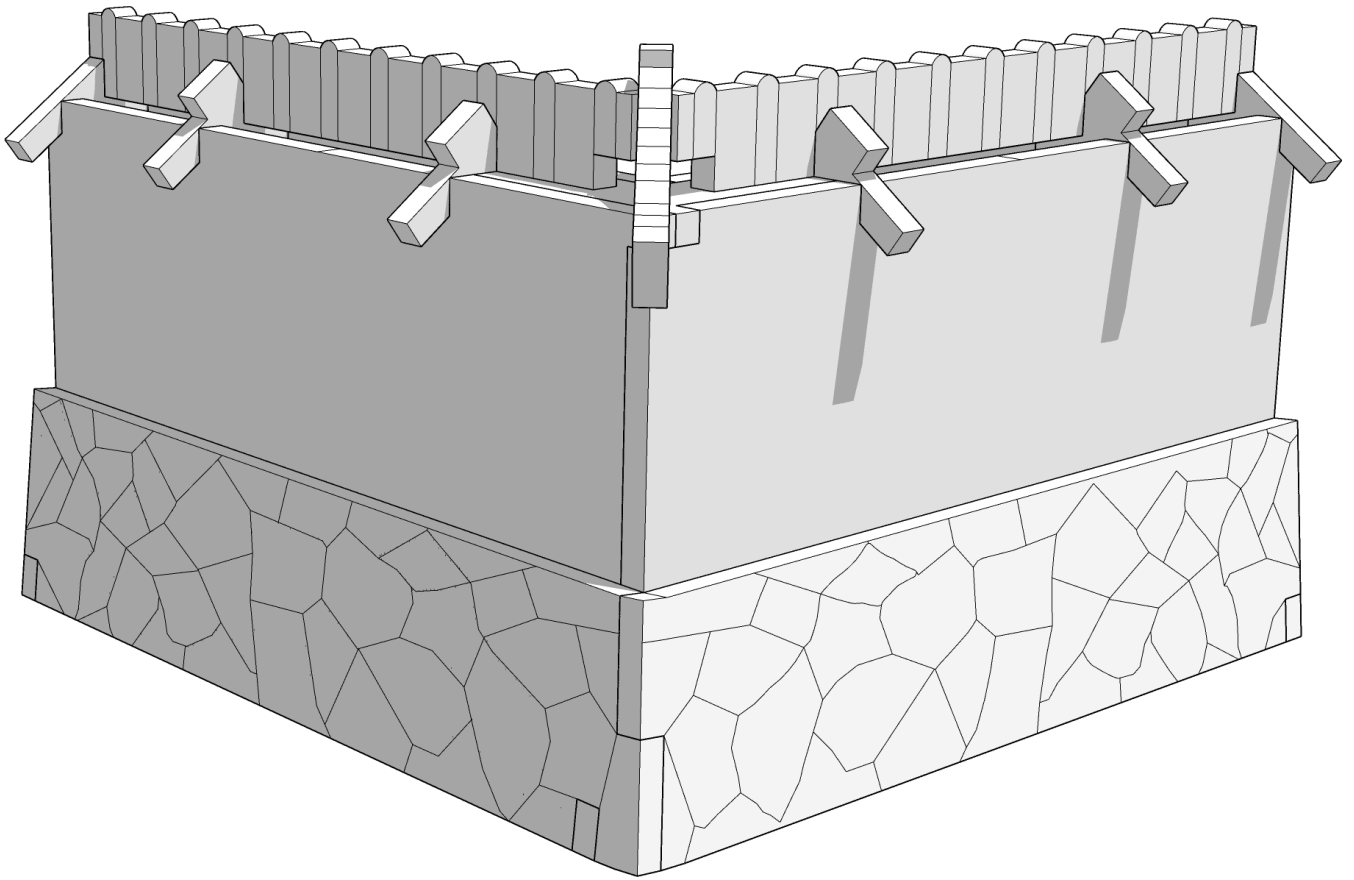
 **TTCOMBAT**



TABLETOP SCENICS

TTSCW-EES-100
Toshi:
Courtyard Walls

113

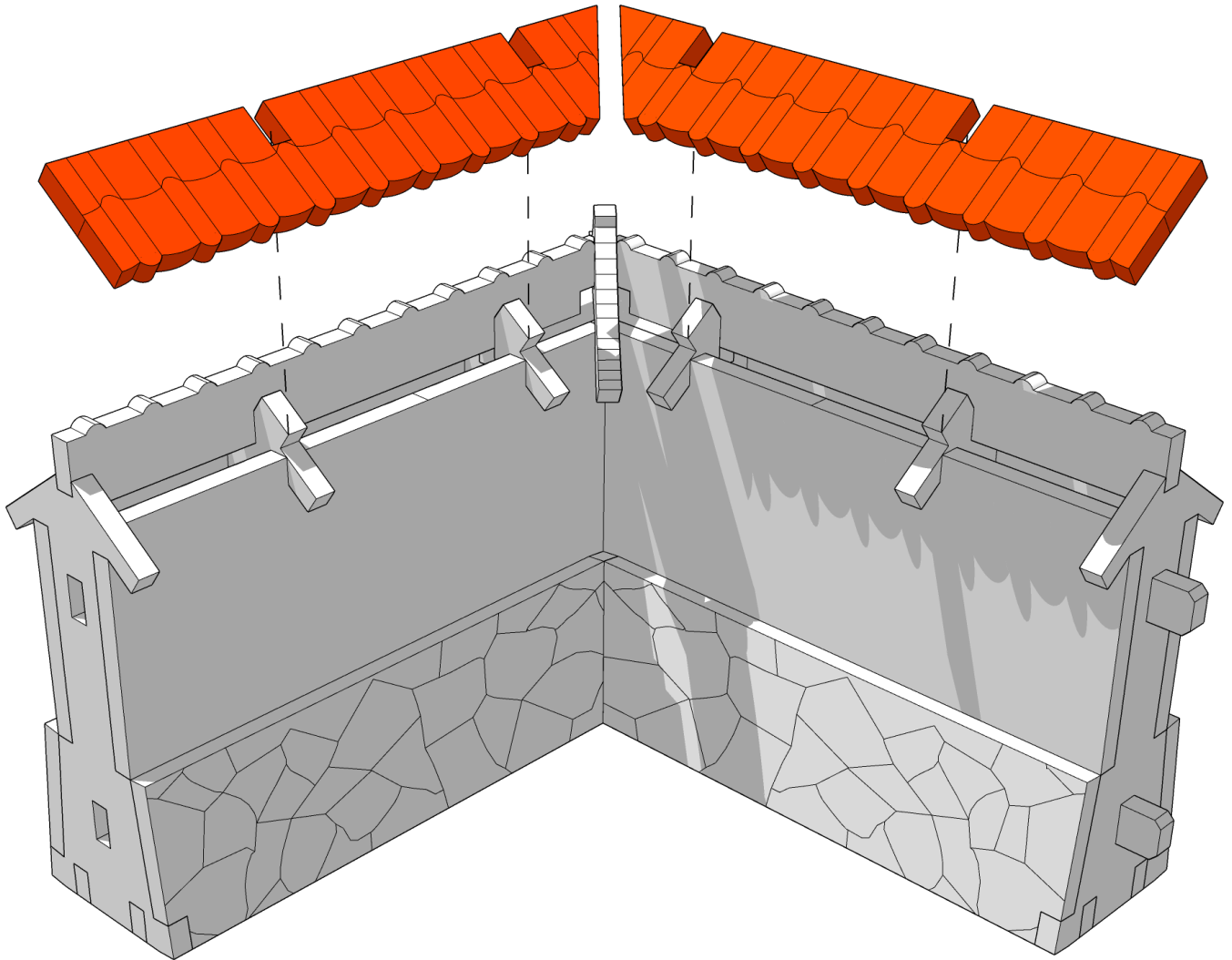




TABLETOP SCENICS

TTSCW-EES-100
Toshi:
Courtyard Walls

114

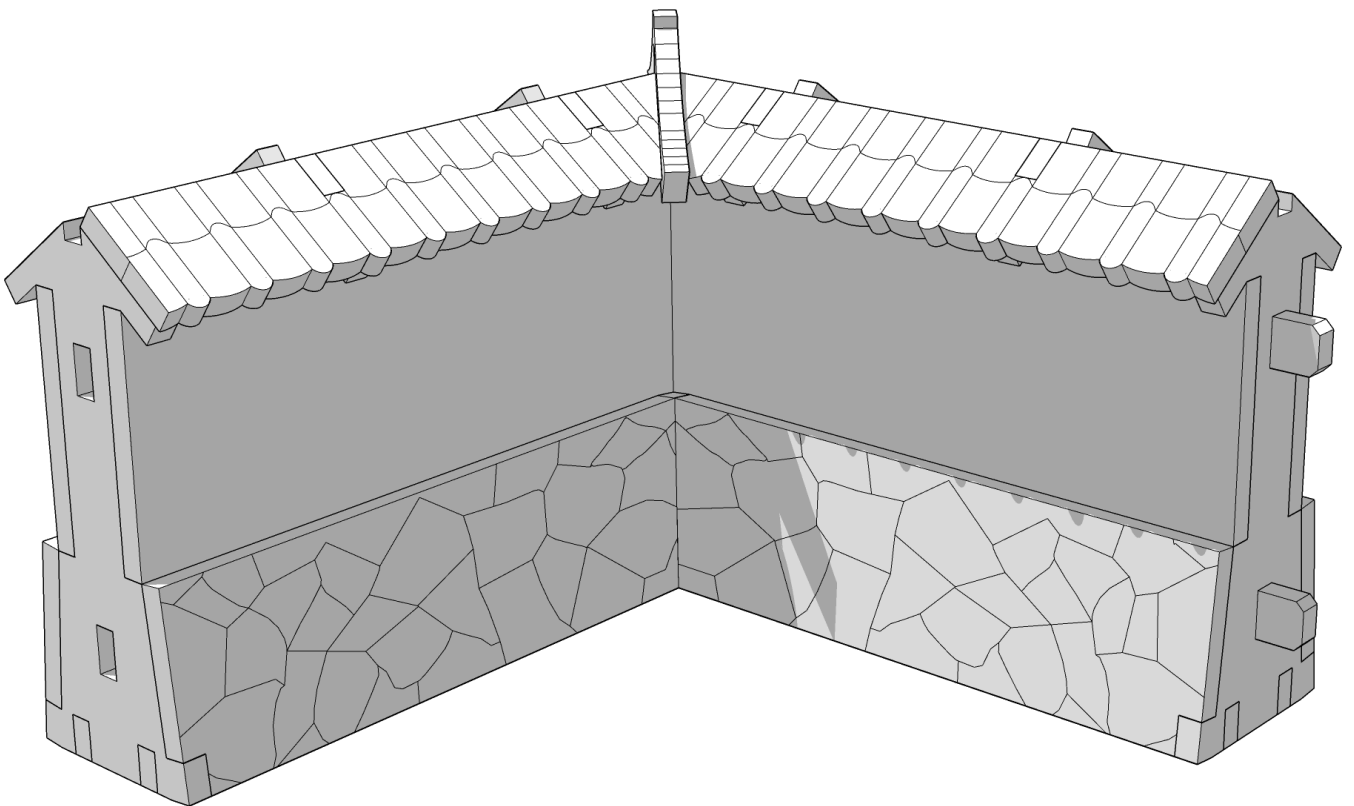




TABLETOP SCENICS

TTSCW-EES-100
Toshi:
Courtyard Walls

115

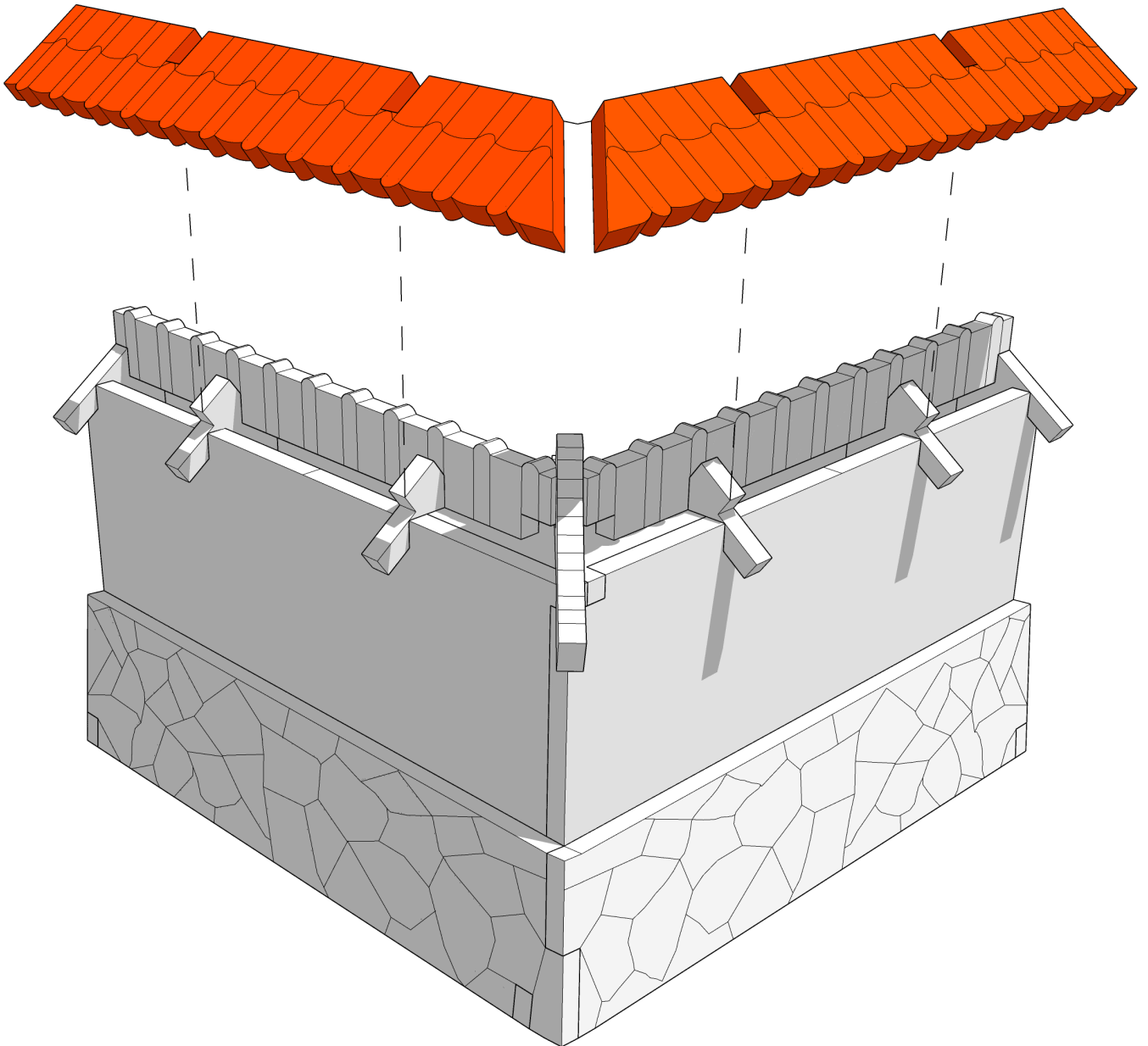




TABLETOP SCENICS

TTSCW-EES-100
Toshi:
Courtyard Walls

116

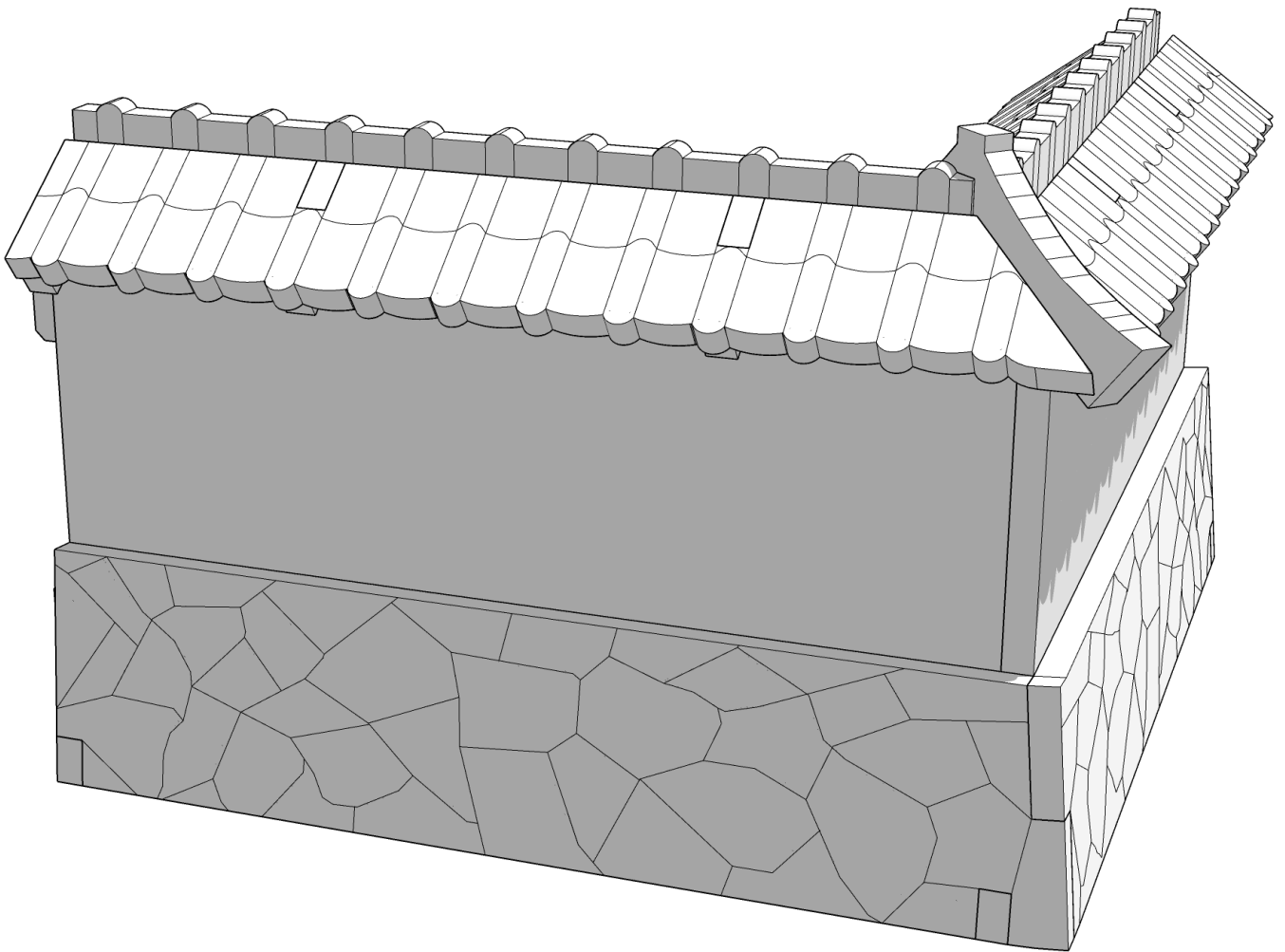




TABLETOP SCENICS

TTSCW-EES-100
Toshi:
Courtyard Walls

117



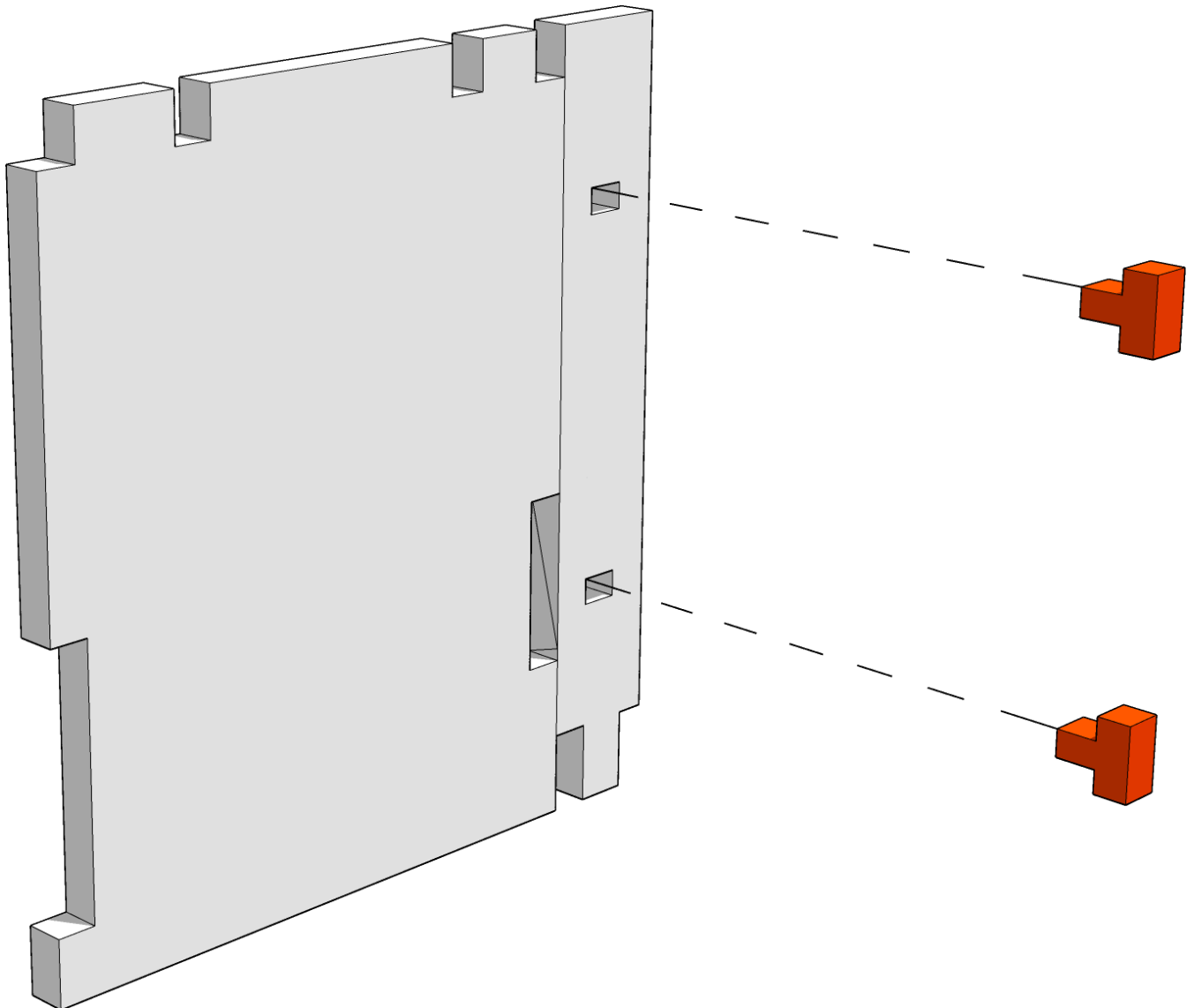
x2



TABLETOP SCENICS

TTSCW-EES-100
Toshi:
Courtyard Walls

118

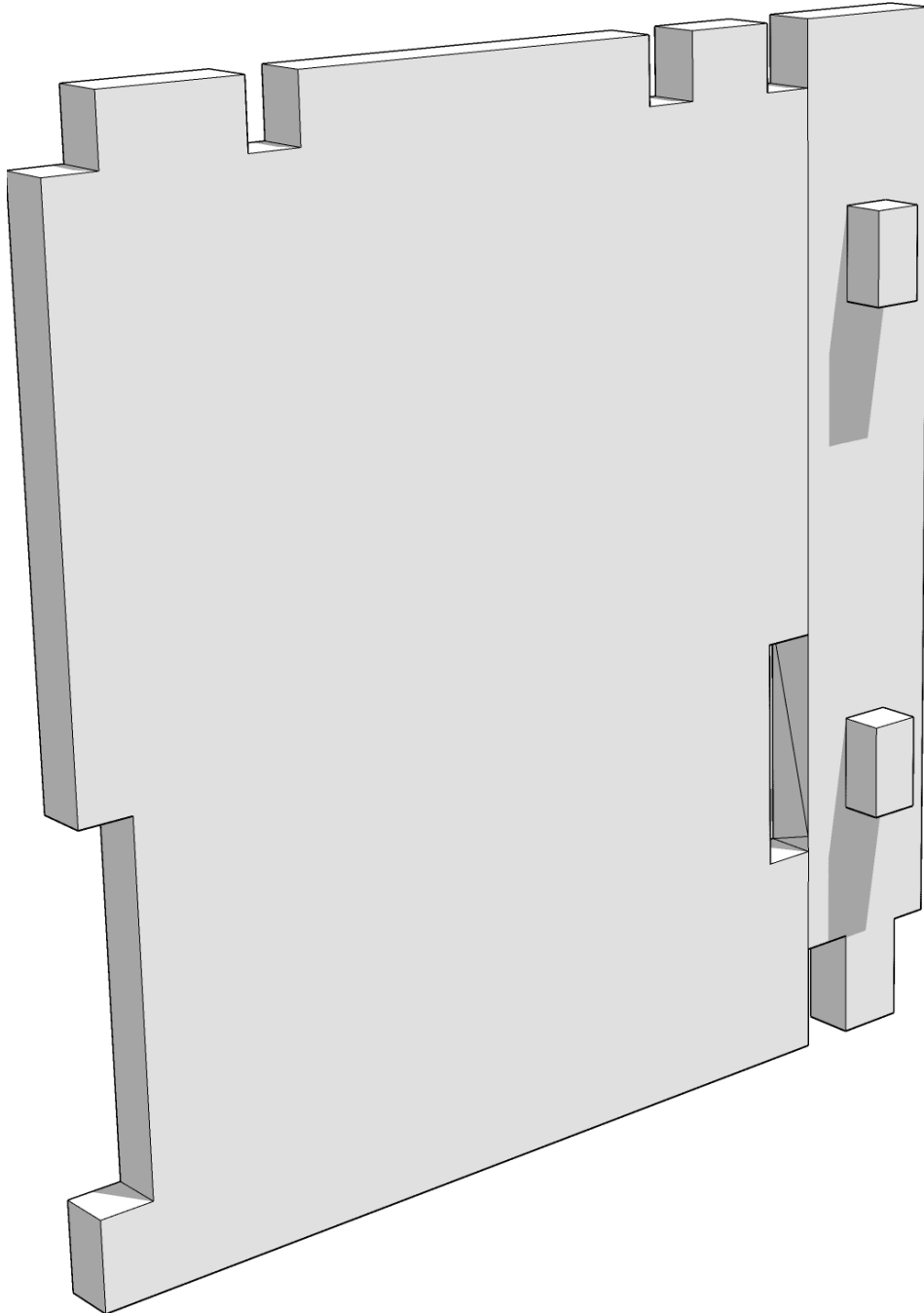




TABLETOP SCENICS

TTSCW-EES-100
Toshi:
Courtyard Walls

119



x4

All 4 will be opposites/mirrors of each other but are the same shape and design

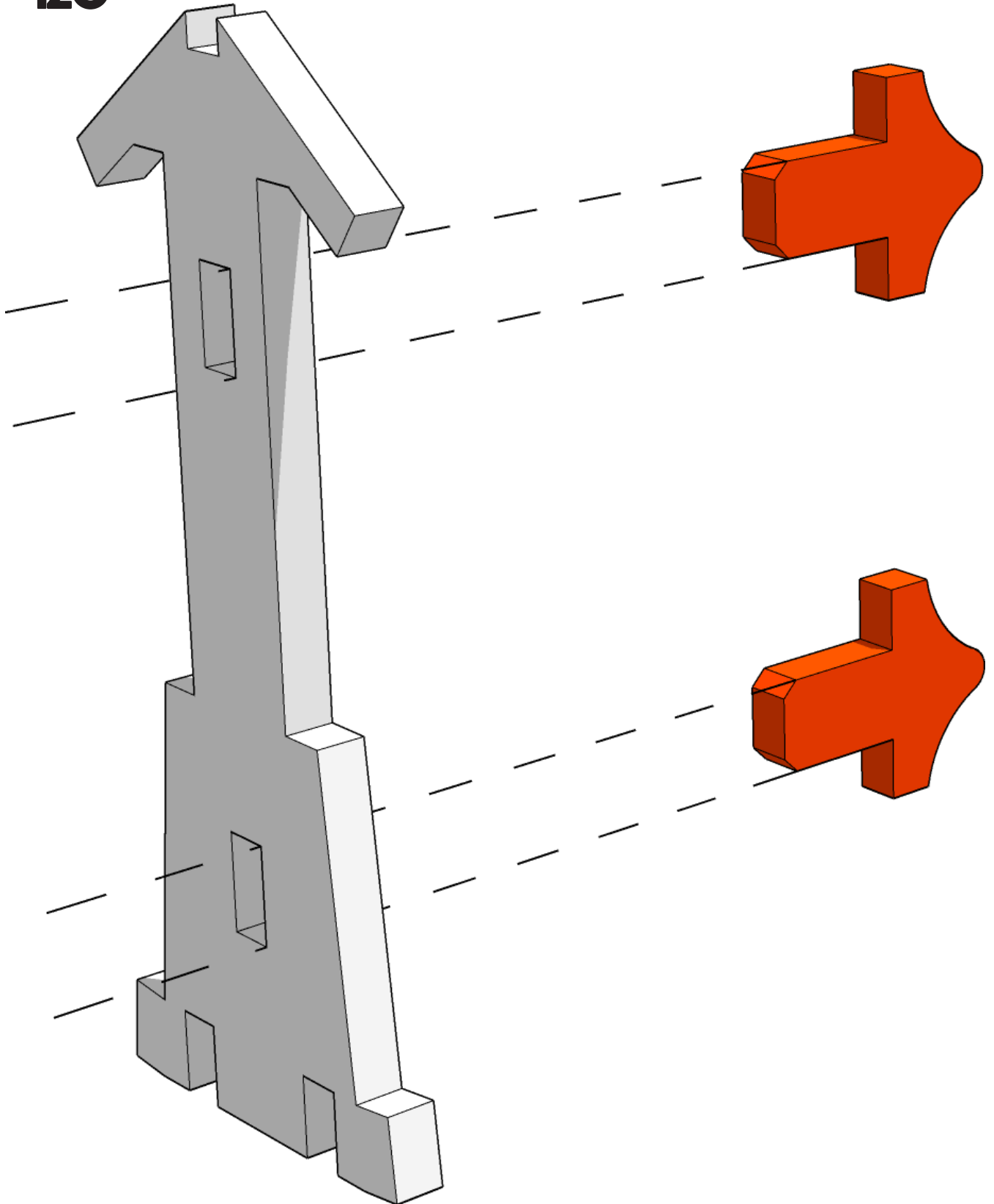




TABLETOP SCENICS

TTSCW-EES-100
Toshi:
Courtyard Walls

120

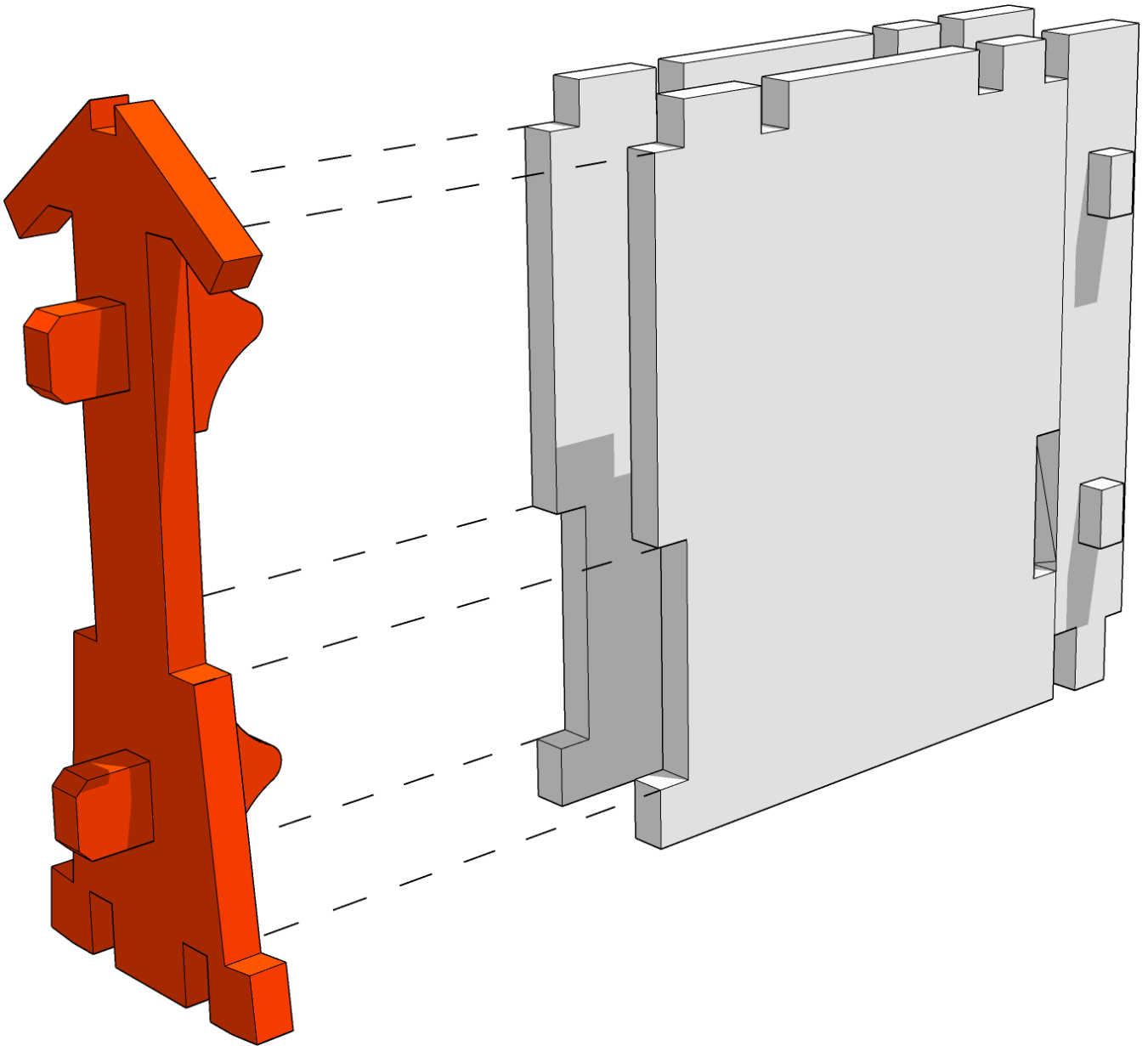




TABLETOP SCENICS

TTSCW-EES-100
Toshi:
Courtyard Walls

121



The two white walls are from pg119. You will need the reverse of the forward facing wall for the rear. The little detail pieces should face outwards on both sides



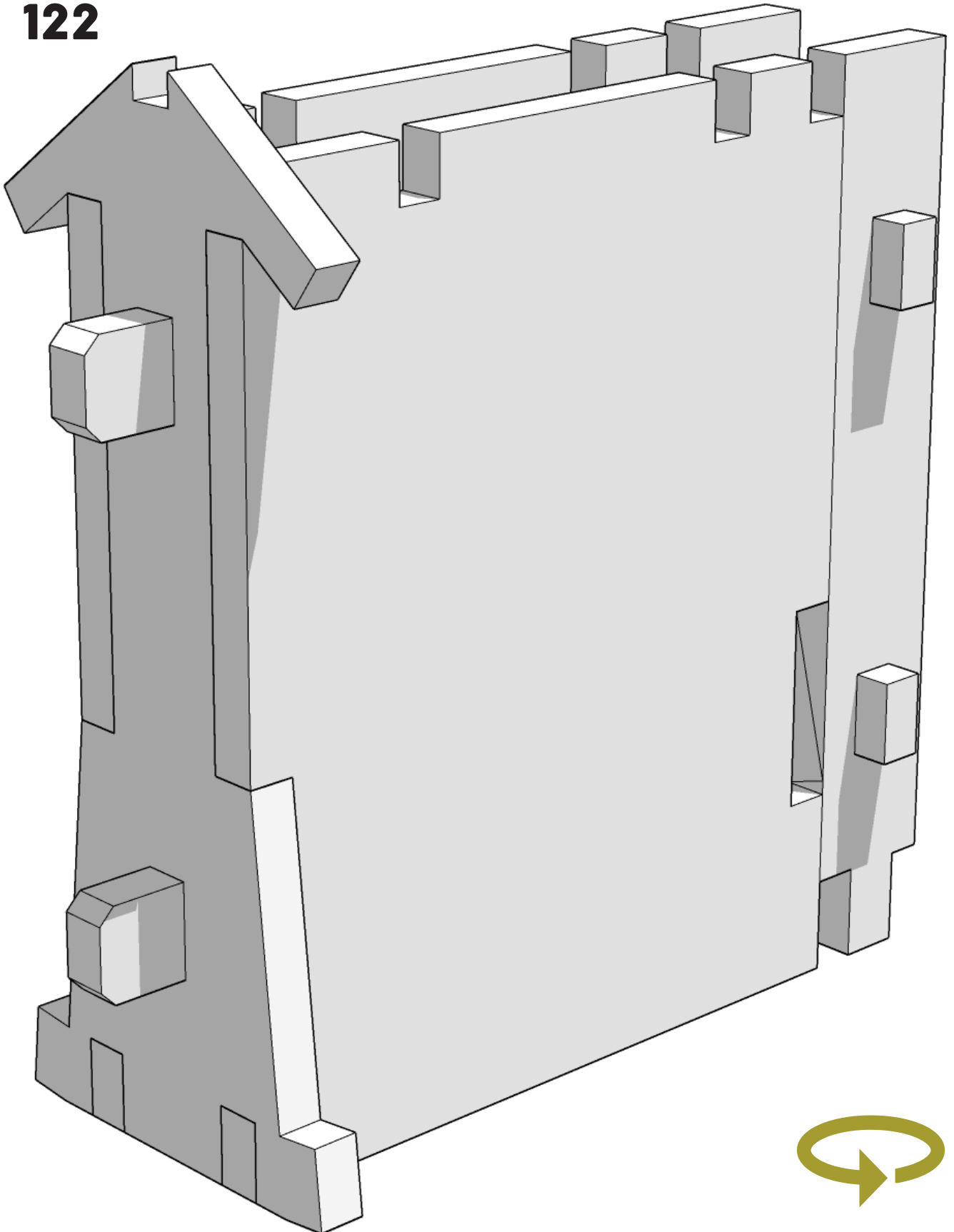
 **TTCOMBAT**



TABLETOP SCENICS

TTSCW-EES-100
Toshi:
Courtyard Walls

122

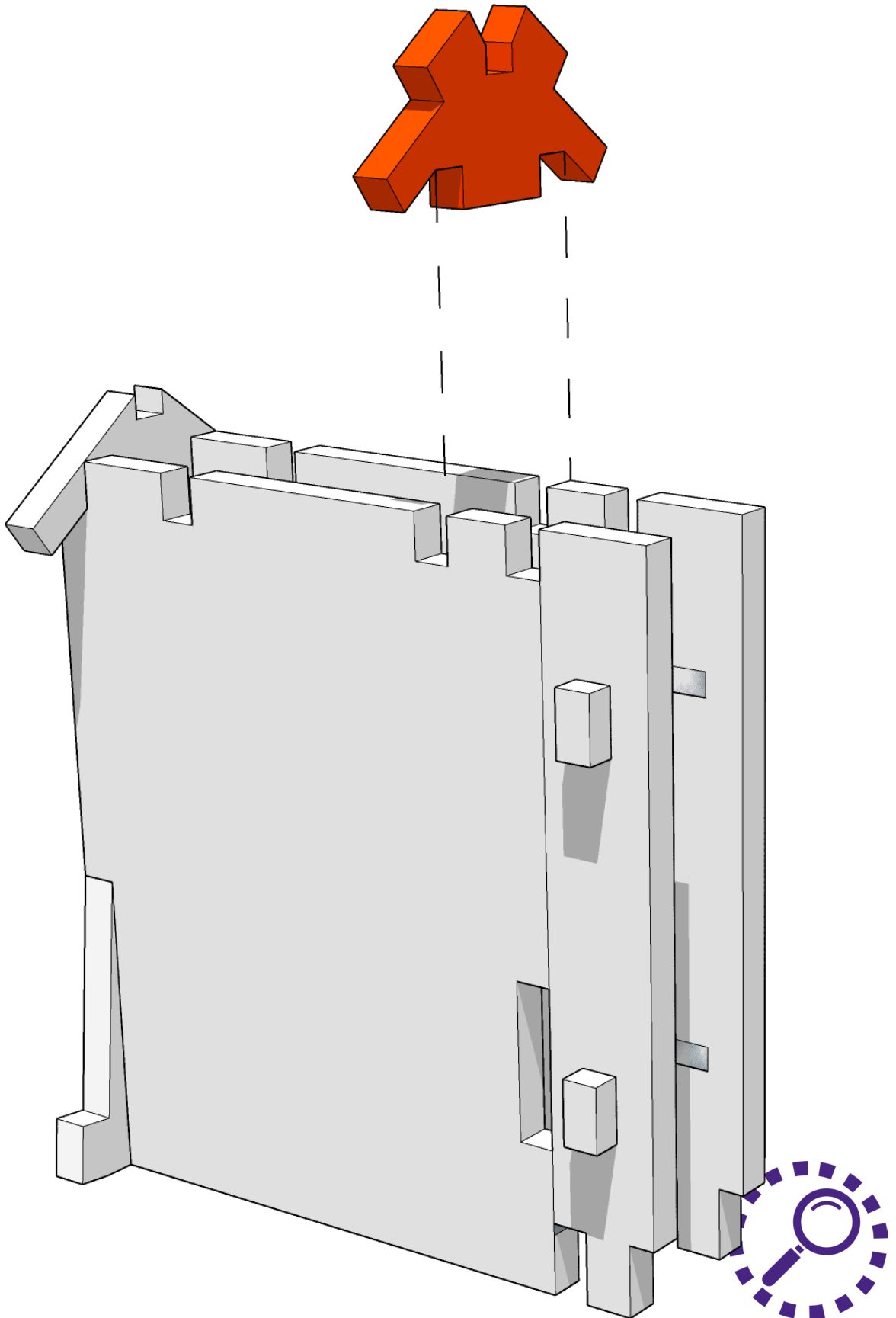




TABLETOP SCENICS

TTSCW-EES-100
Toshi:
Courtyard Walls

123



Highlighted part goes into the middle slots

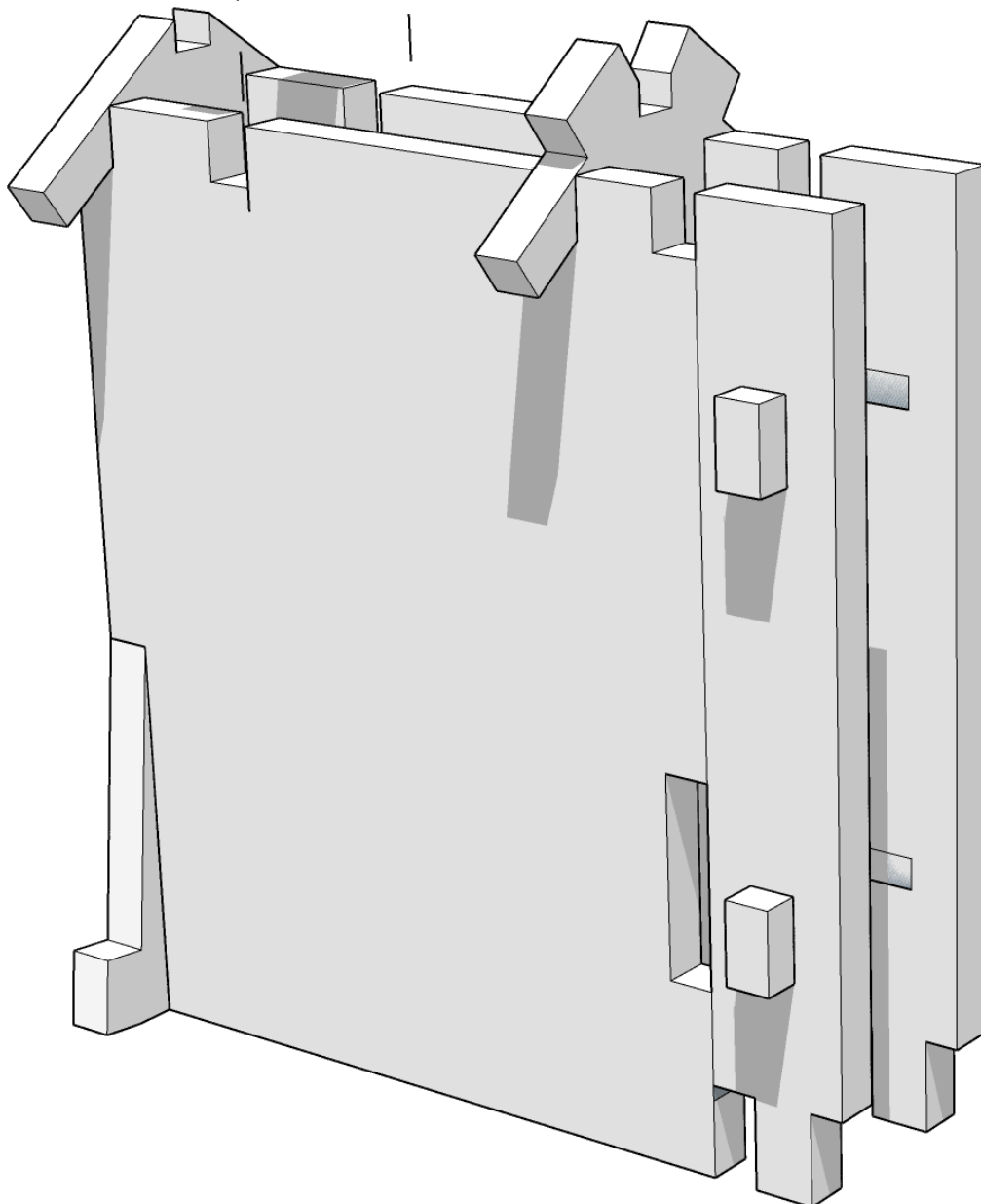
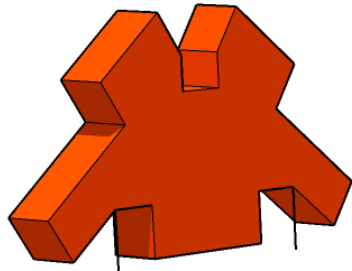




TABLETOP SCENICS

TTSCW-EES-100
Toshi:
Courtyard Walls

124

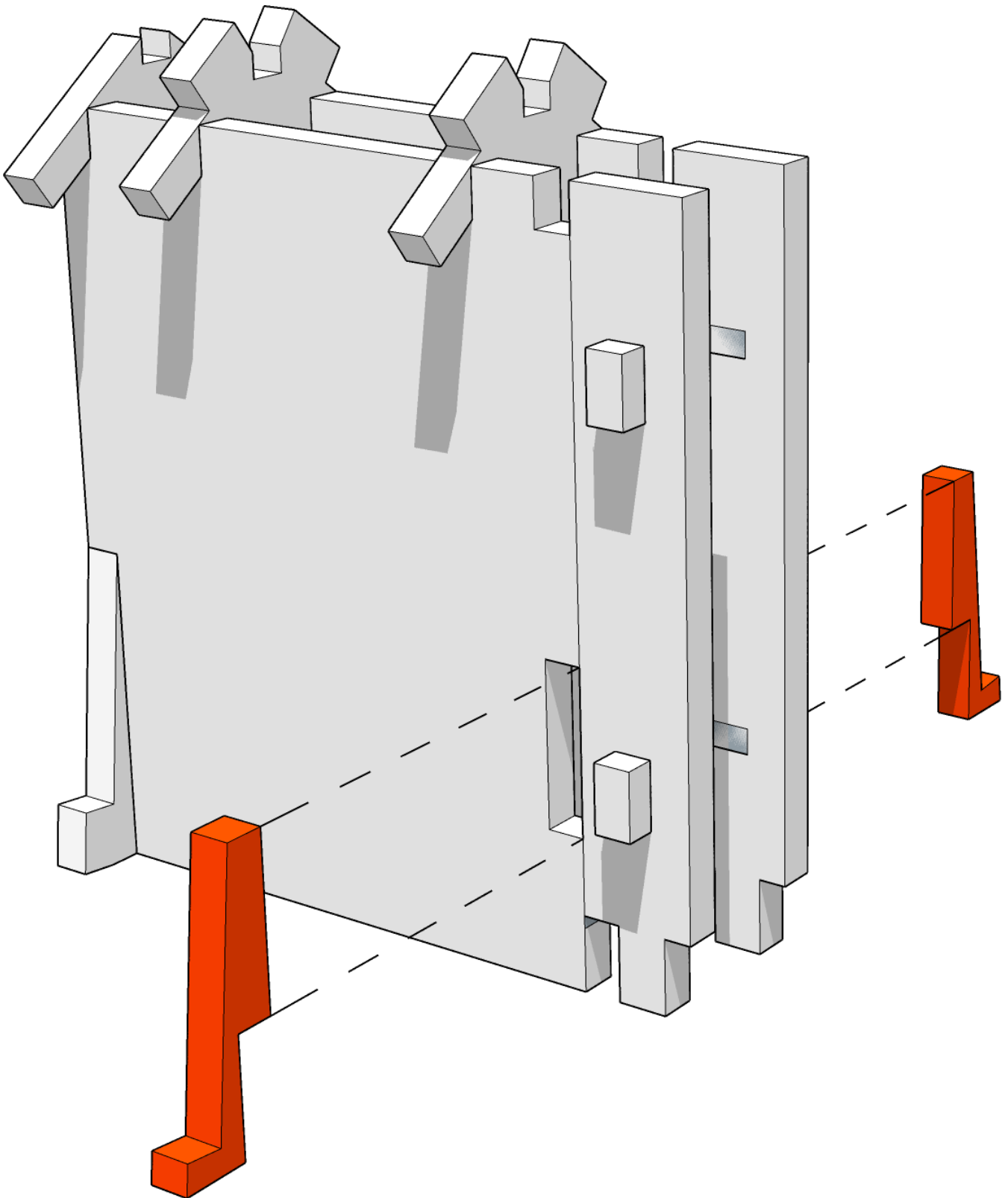




TABLETOP SCENICS

TTSCW-EES-100
Toshi:
Courtyard Walls

125

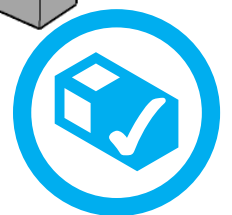
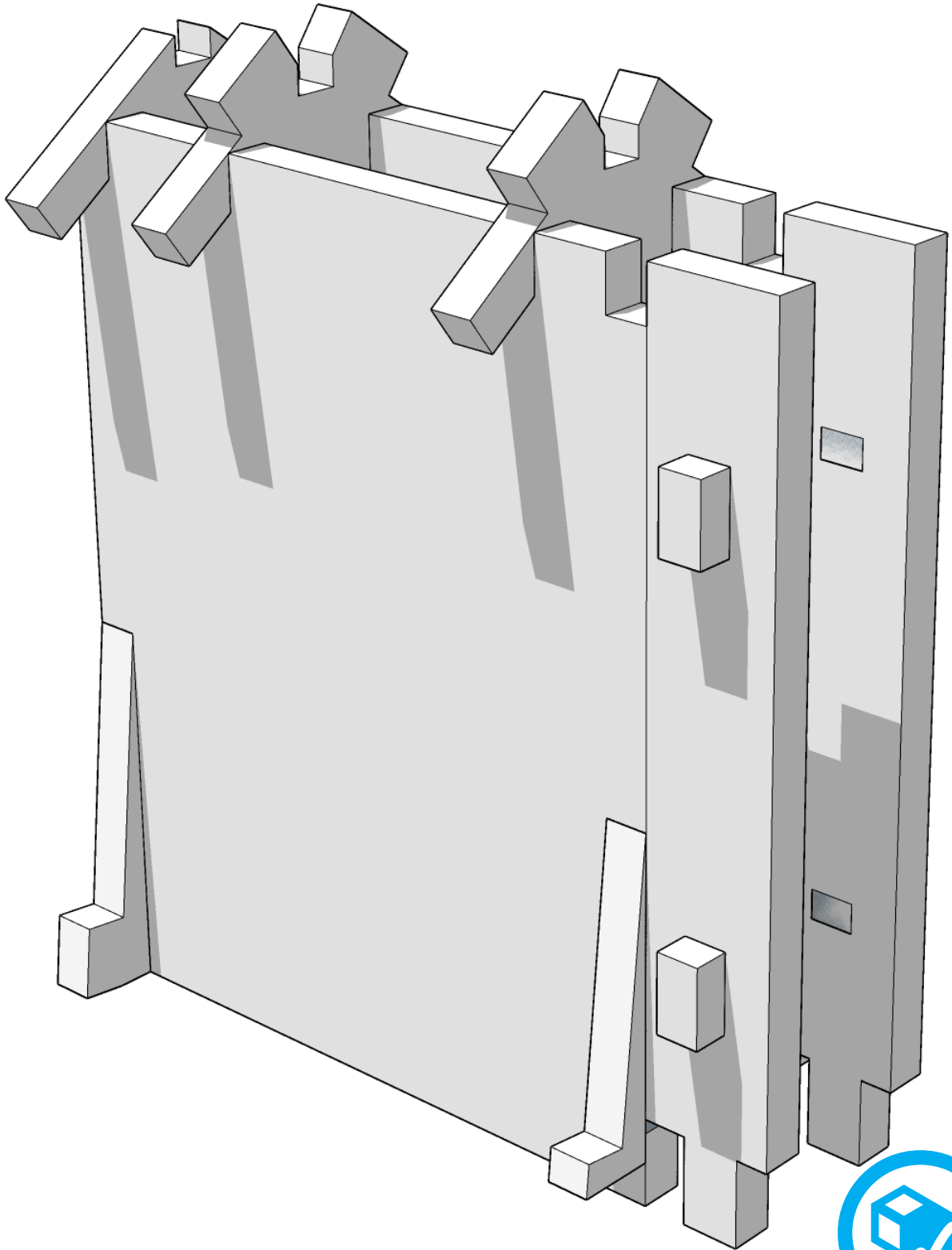




TABLETOP SCENICS

TTSCW-EES-100
Toshi:
Courtyard Walls

126

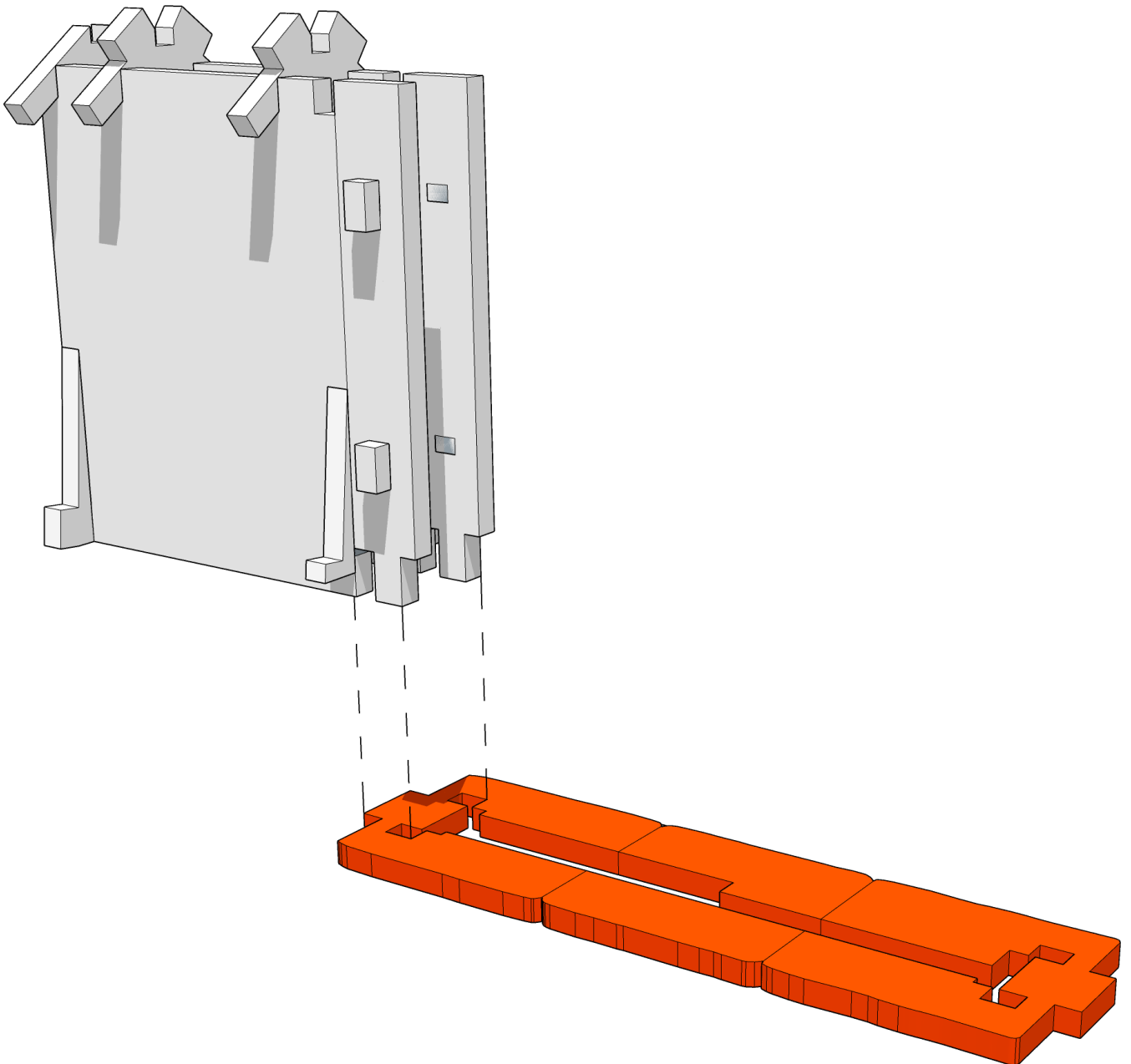




TABLETOP SCENICS

TTSCW-EES-100
Toshi:
Courtyard Walls

127



Position/rotation of highlighted part must match as shown



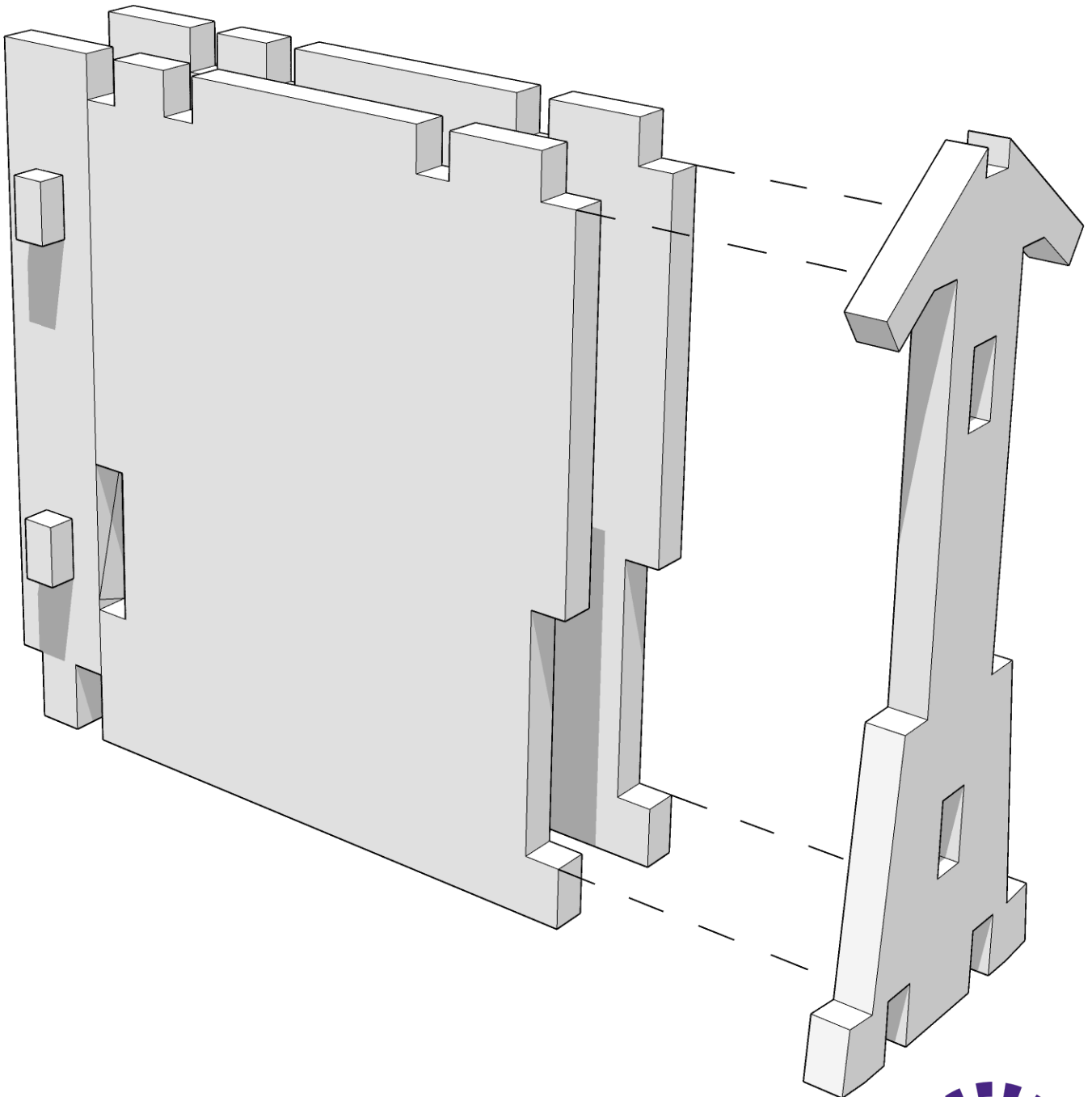
 **TTCOMBAT**



TABLETOP SCENICS

TTSCW-EES-100
Toshi:
Courtyard Walls

128



Two white walls are mirrors of each other and have the small detail bits facing outwards



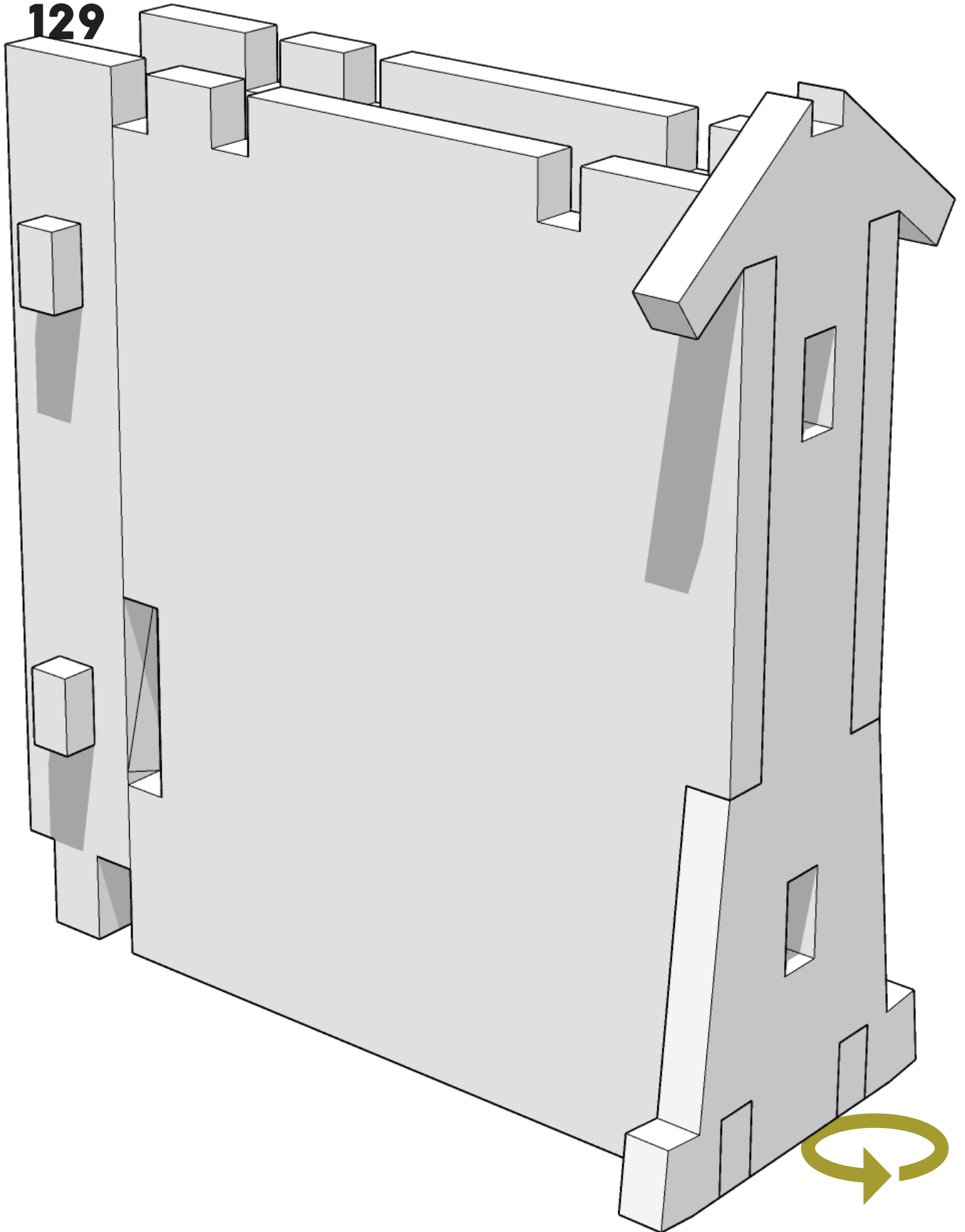
 **TTCOMBAT**



TABLETOP SCENICS

TTSCW-EES-100
Toshi:
Courtyard Walls

129

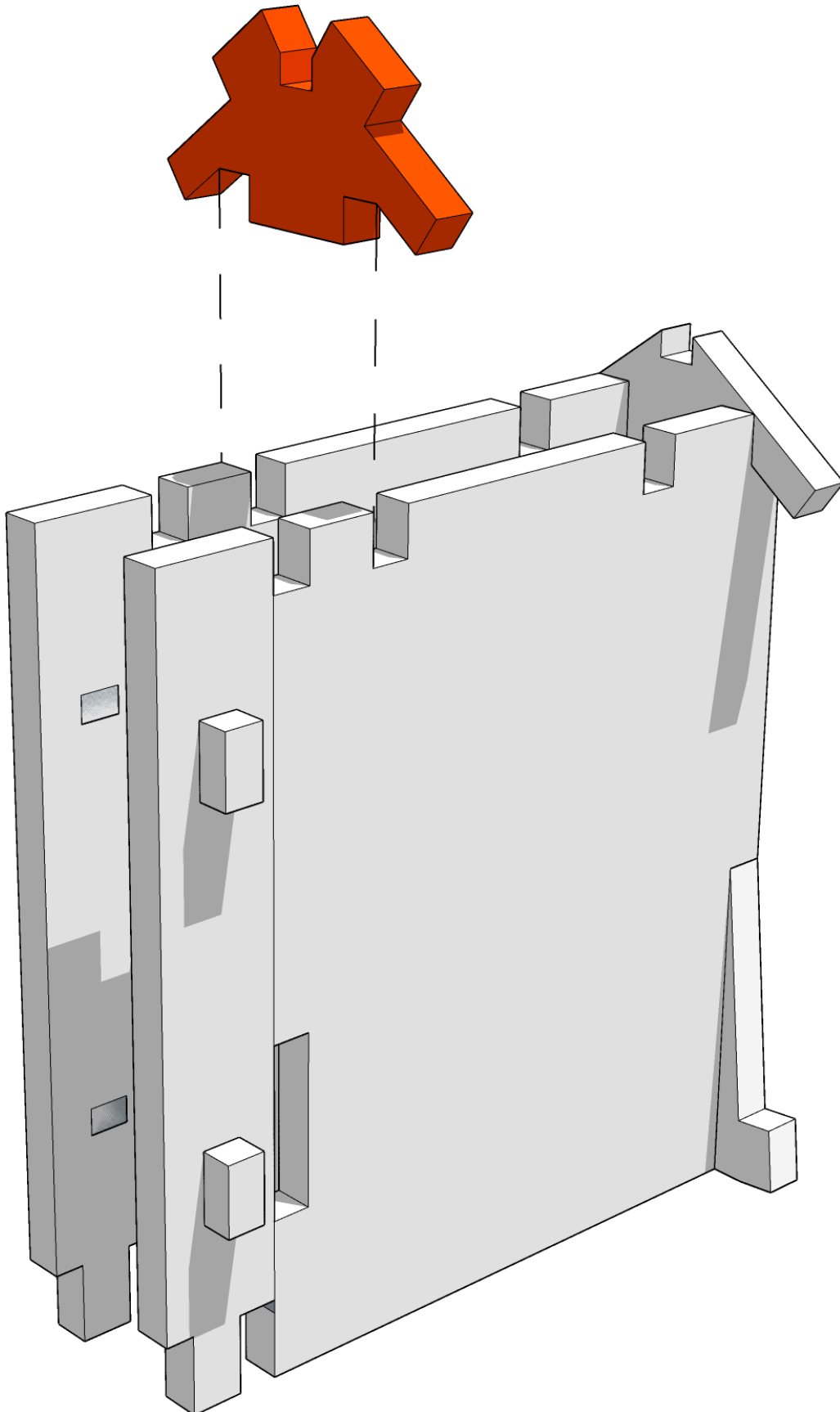




TABLETOP SCENICS

TTSCW-EES-100
Toshi:
Courtyard Walls

130

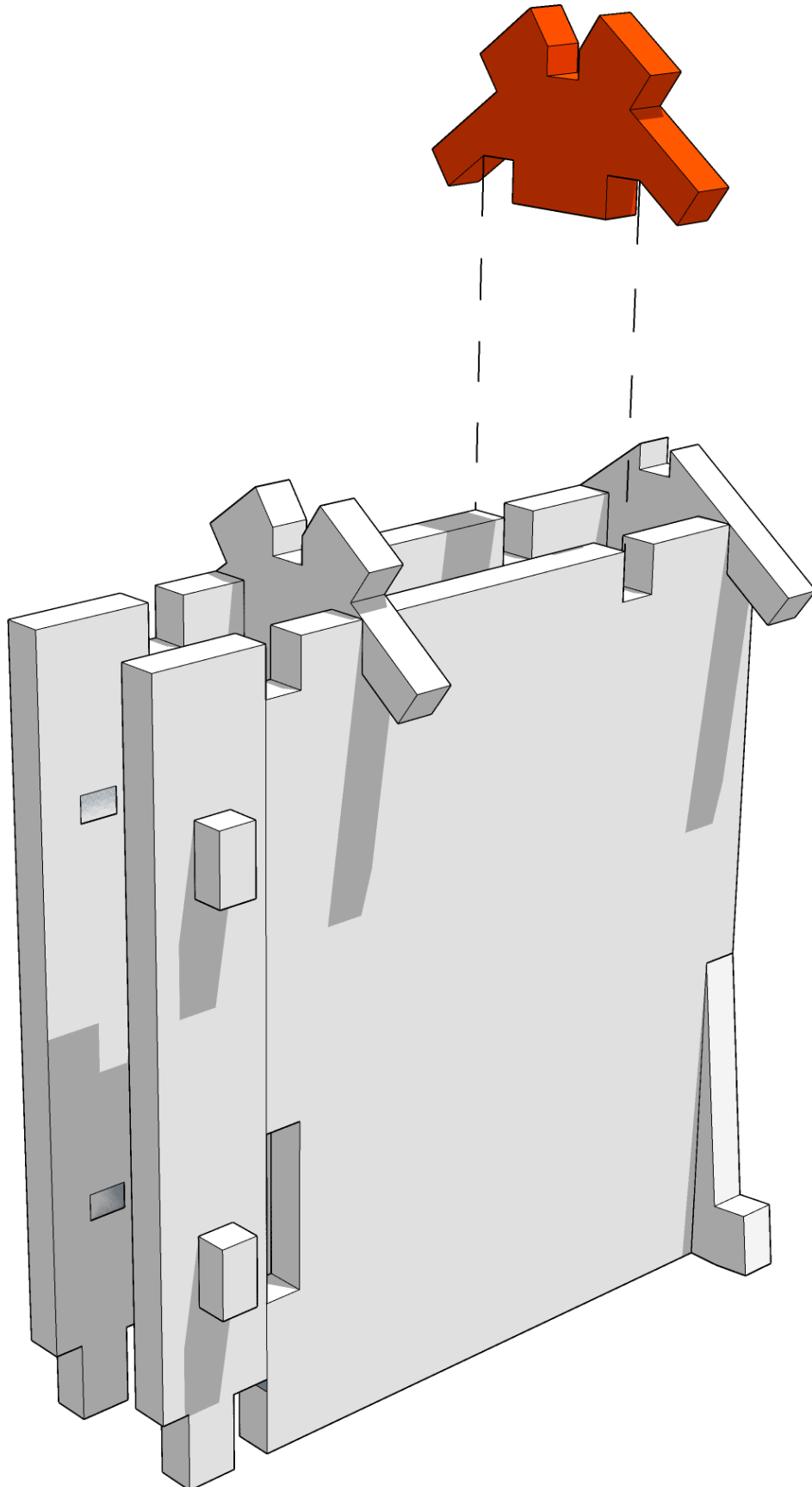




TABLETOP SCENICS

TTSCW-EES-100
Toshi:
Courtyard Walls

131

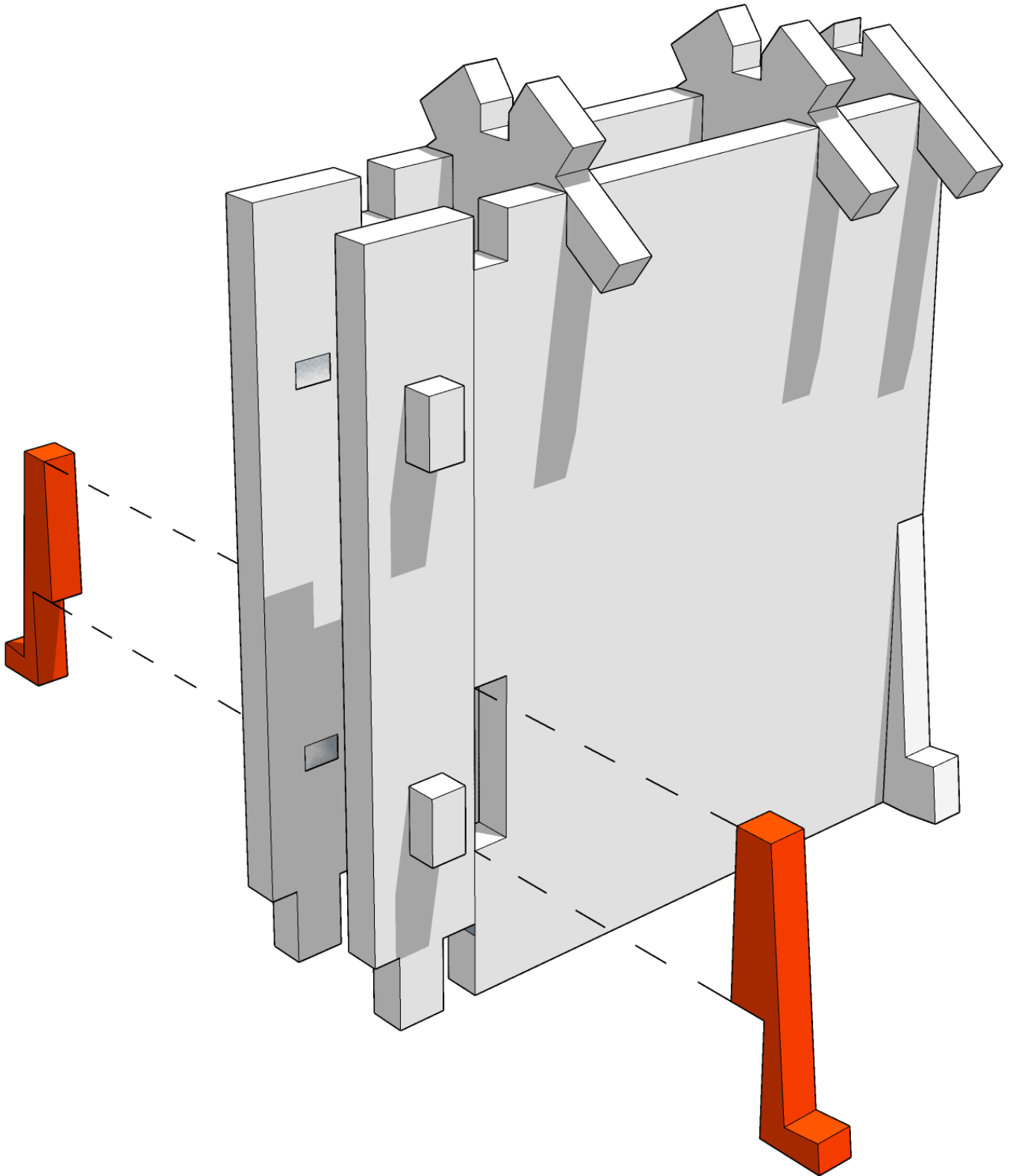




TABLETOP SCENICS

TTSCW-EES-100
Toshi:
Courtyard Walls

132

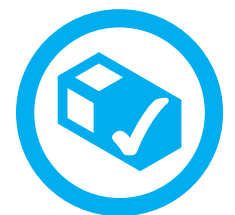
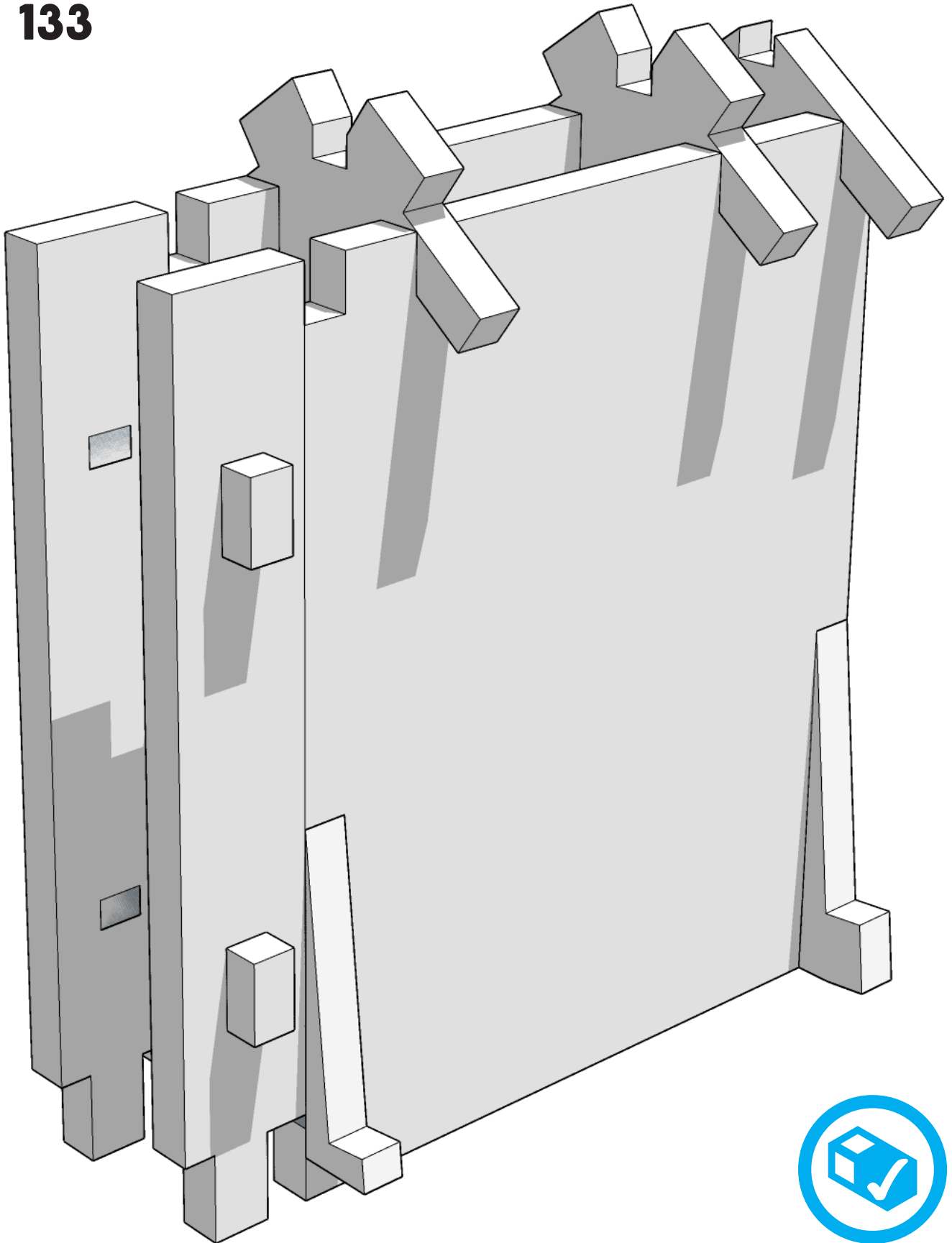




TABLETOP SCENICS

TTSCW-EES-100
Toshi:
Courtyard Walls

133

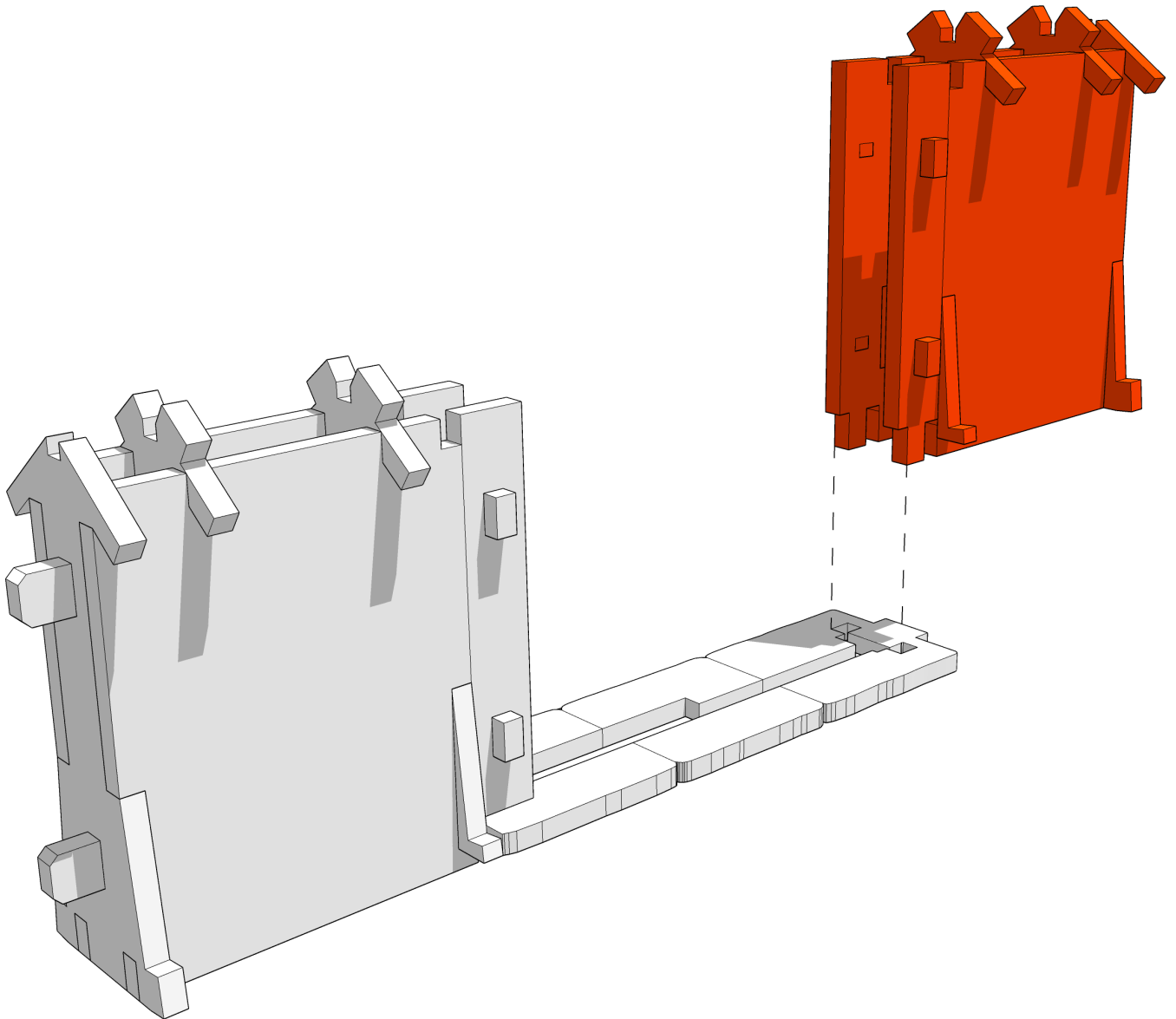




TABLETOP SCENICS

134

TTSCW-EES-100
Toshi:
Courtyard Walls

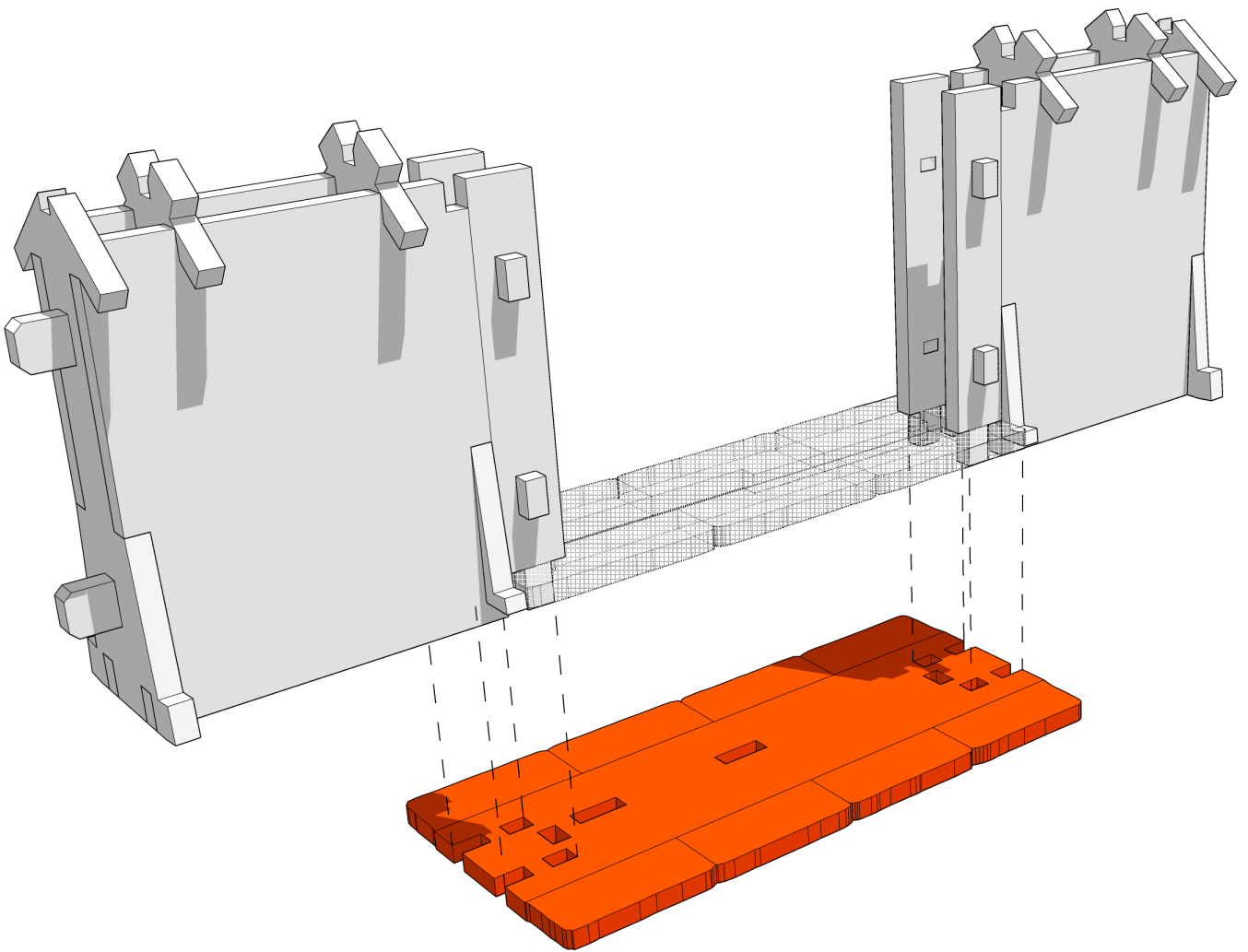




TABLETOP SCENICS

TTSCW-EES-100
Toshi:
Courtyard Walls

135



Position/Rotation of the highlighted part **MUST** match



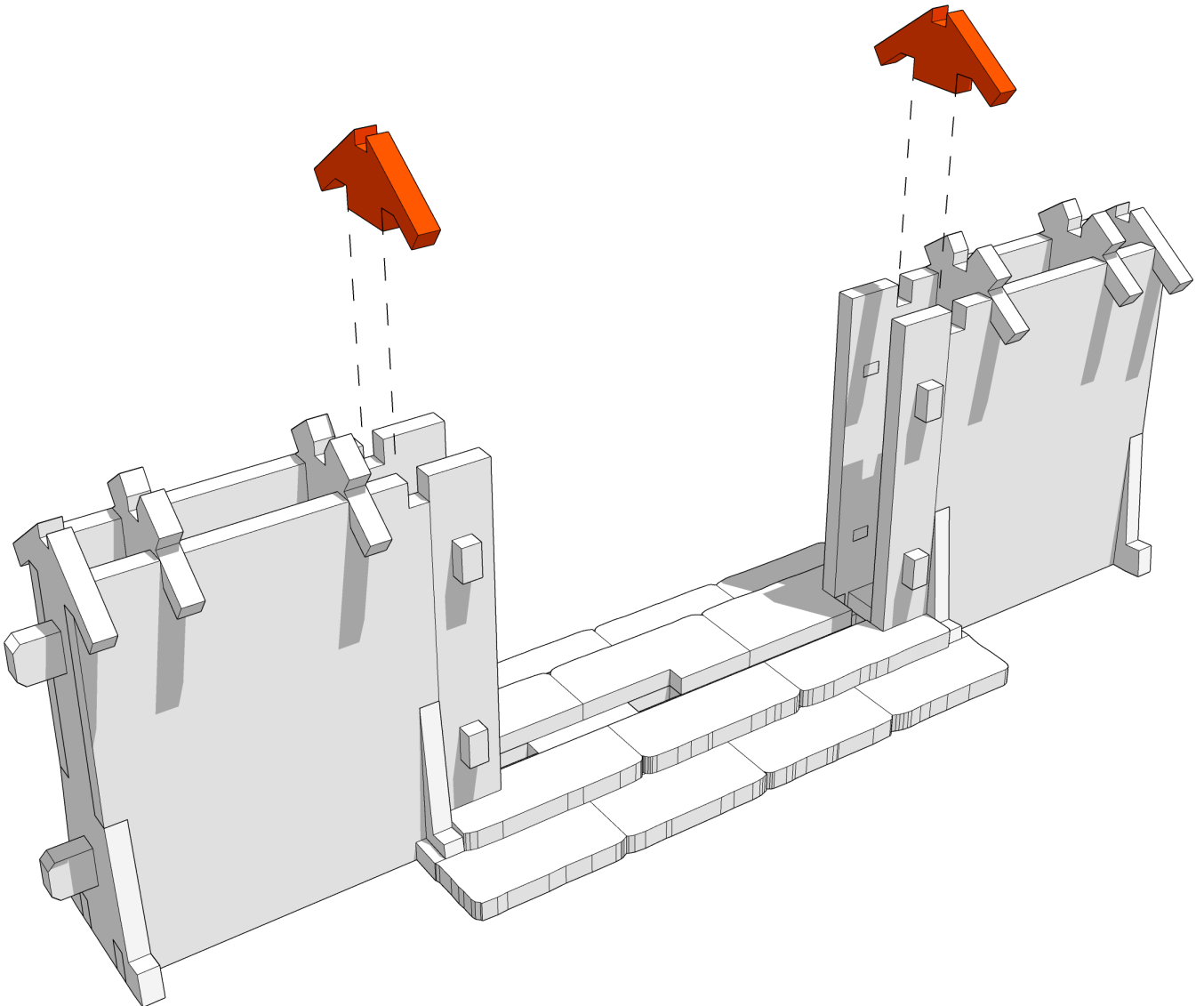
 **TTCOMBAT**



TABLETOP SCENICS

TTSCW-EES-100
Toshi:
Courtyard Walls

136

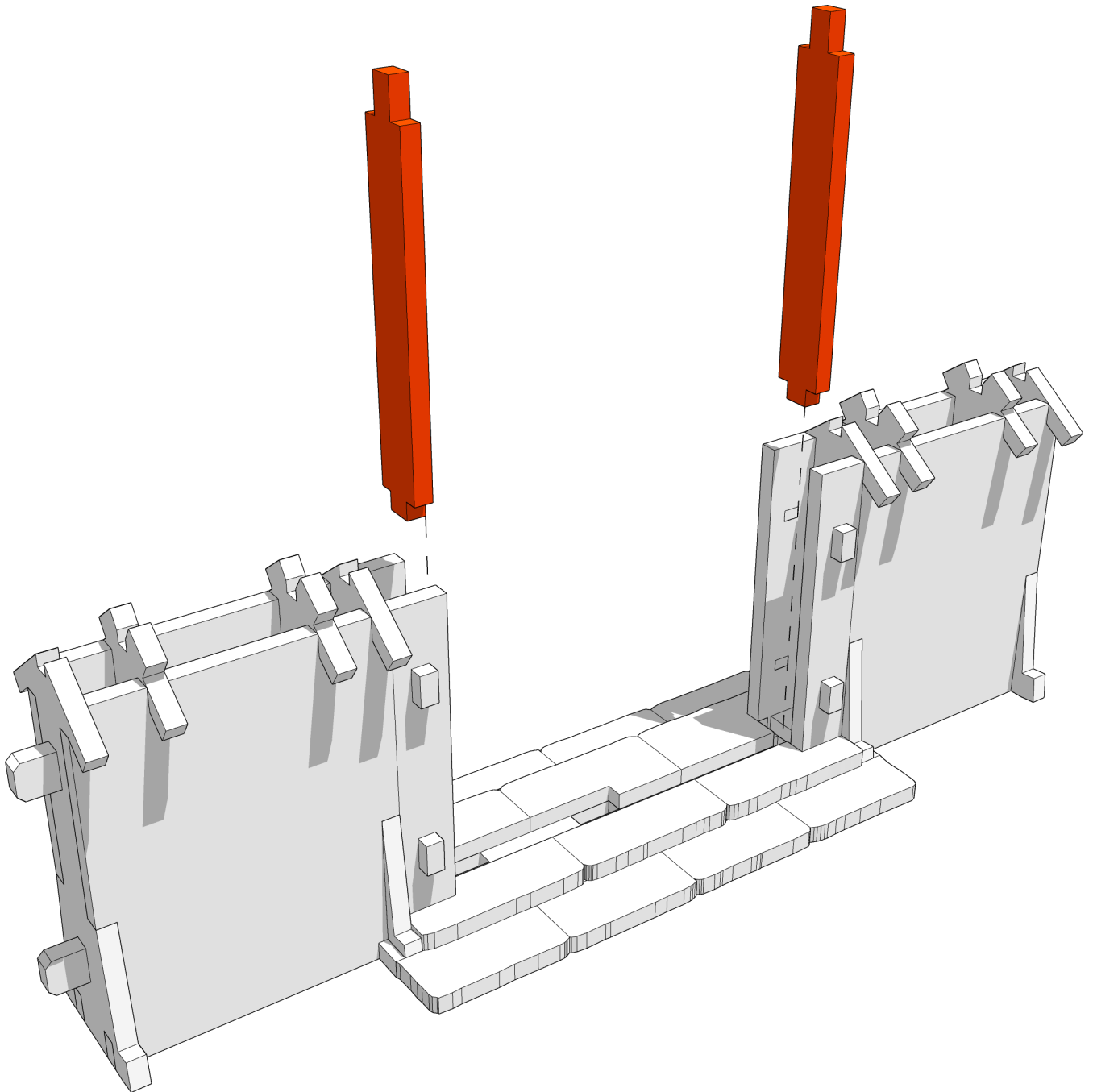




TABLETOP SCENICS

TTSCW-EES-100
Toshi:
Courtyard Walls

137

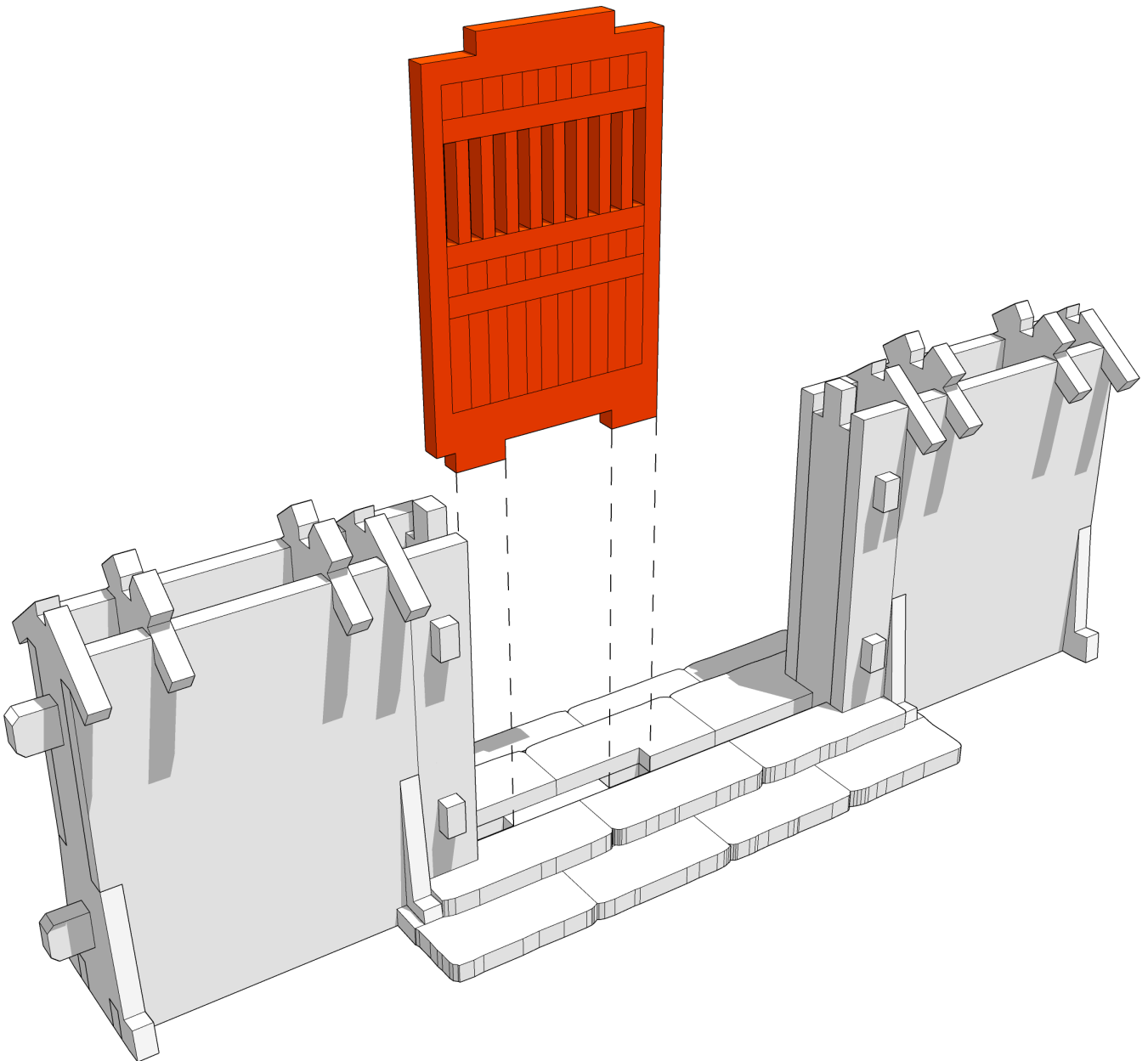




TABLETOP SCENICS

TTSCW-EES-100
Toshi:
Courtyard Walls

138

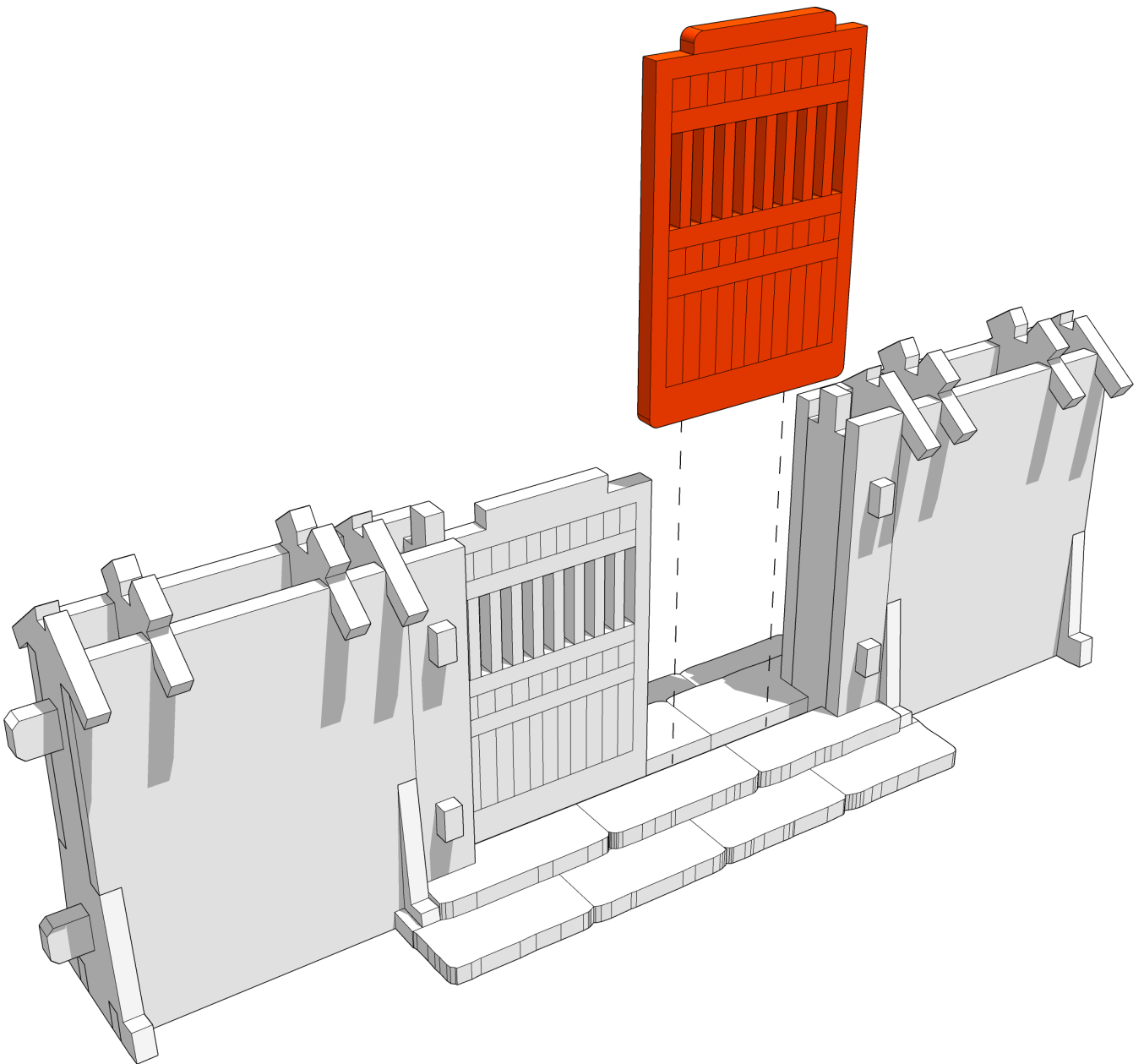




TABLETOP SCENICS

TTSCW-EES-100
Toshi:
Courtyard Walls

139



This door doesnt require gluing, so it can slide instead

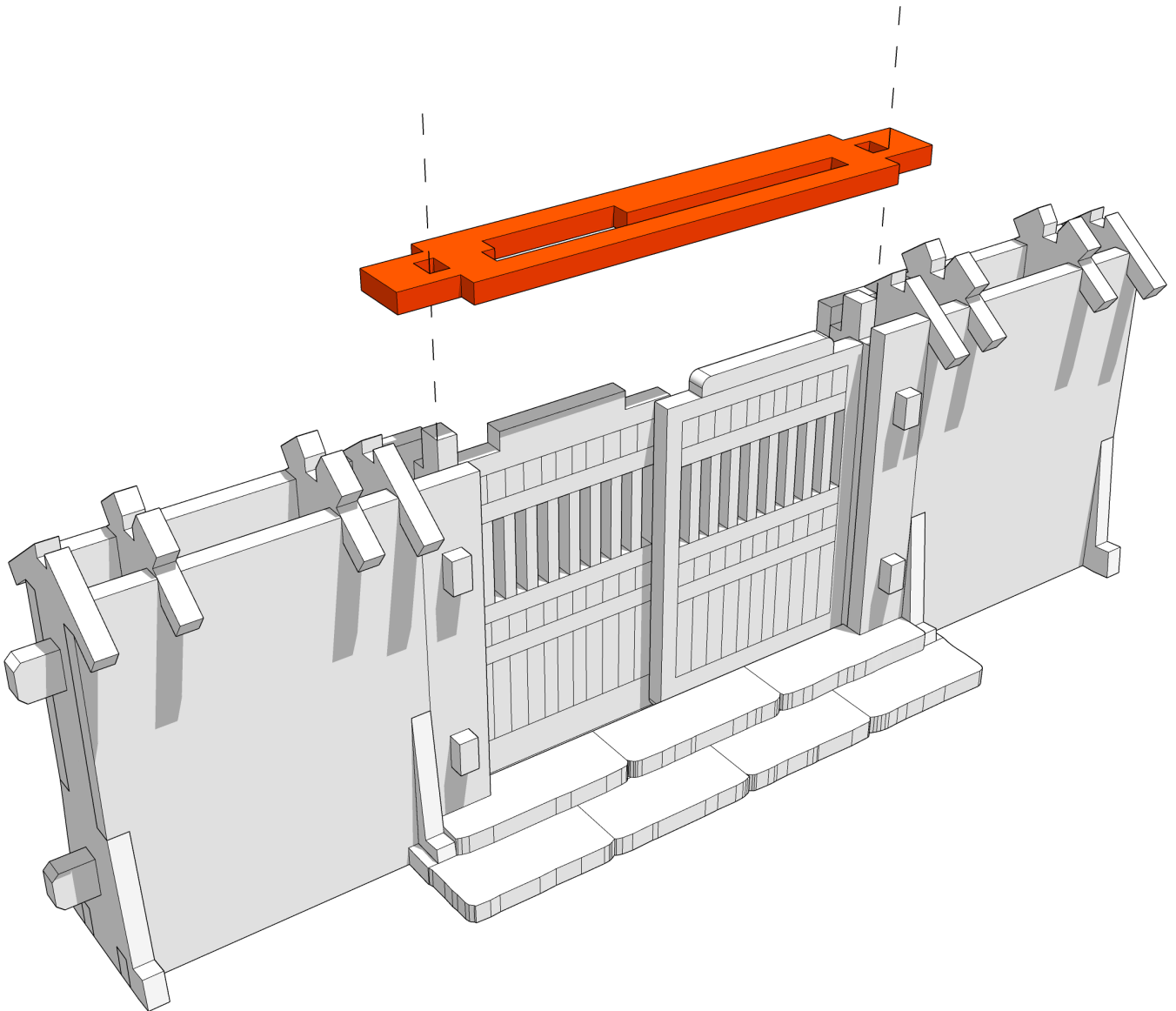




TABLETOP SCENICS

140

TTSCW-EES-100
Toshi:
Courtyard Walls



Only glue the back of the static door (left) and tabs on the wall. Any glue in the long channel will stop the door from sliding



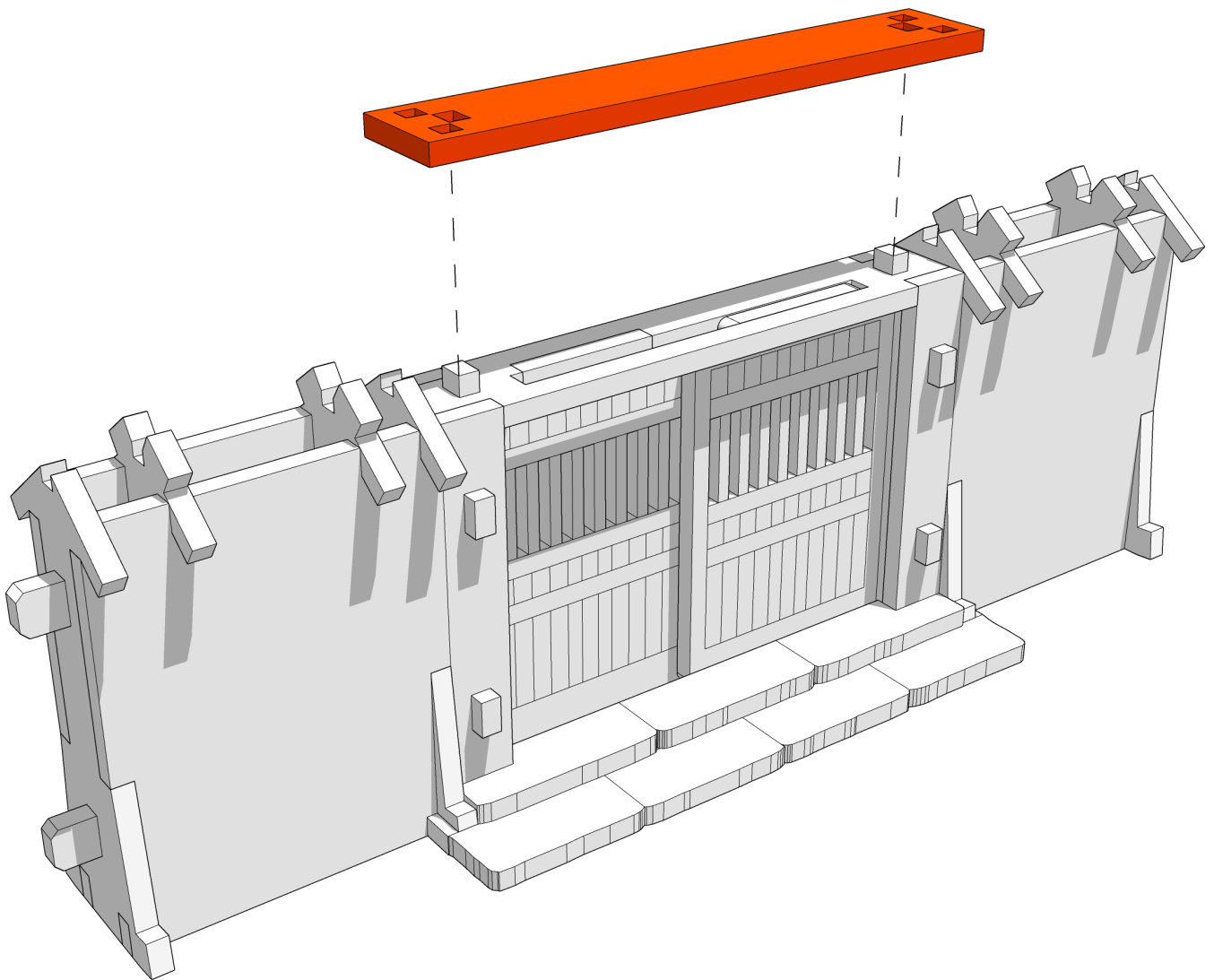
 **TTCOMBAT**



TABLETOP SCENICS

TTSCW-EES-100
Toshi:
Courtyard Walls

141



Keep glue clear from the door slide channel. Any glue will stop the door from sliding



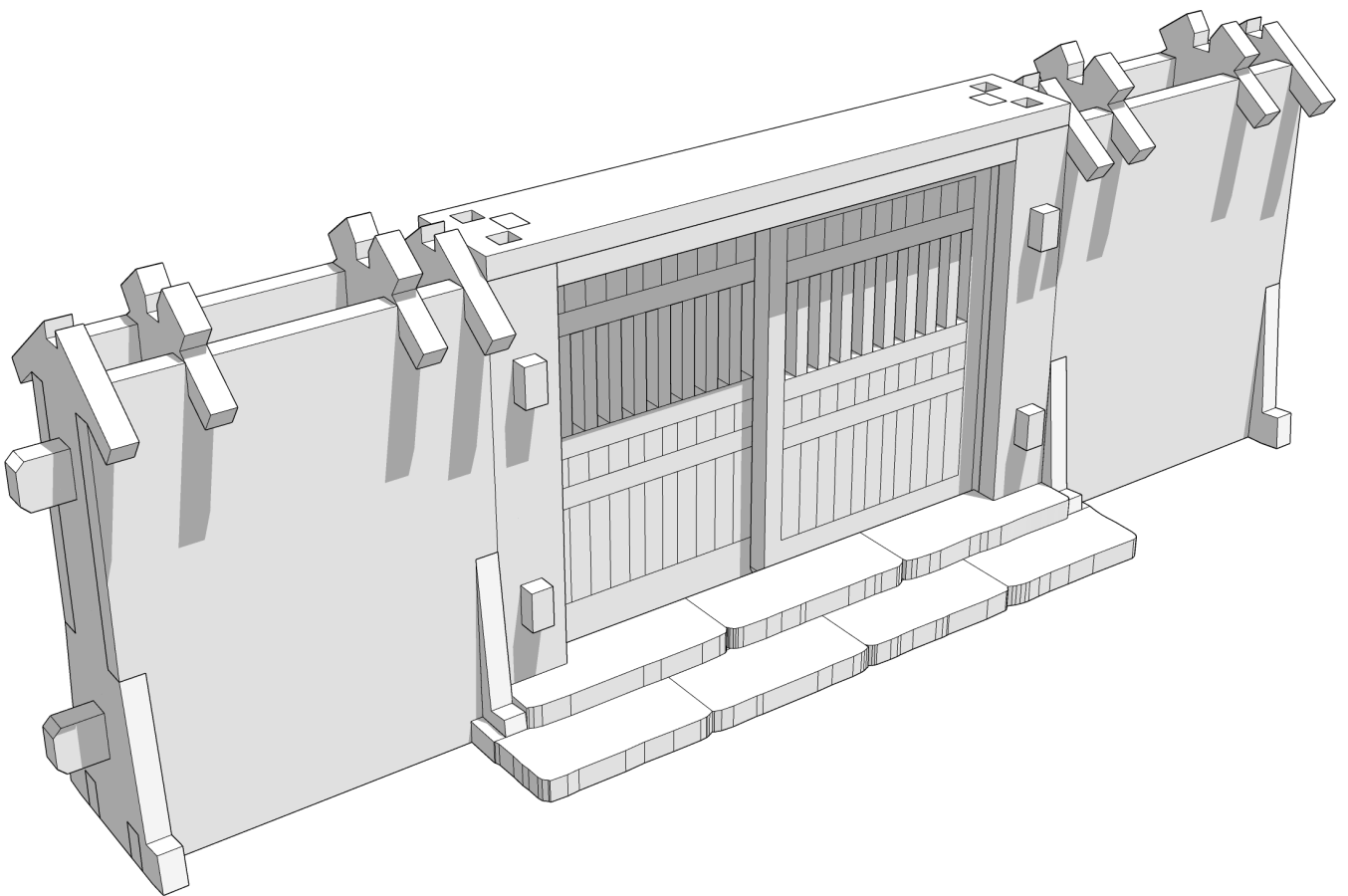
 **TTCOMBAT**



TABLETOP SCENICS

TTSCW-EES-100
Toshi:
Courtyard Walls

142

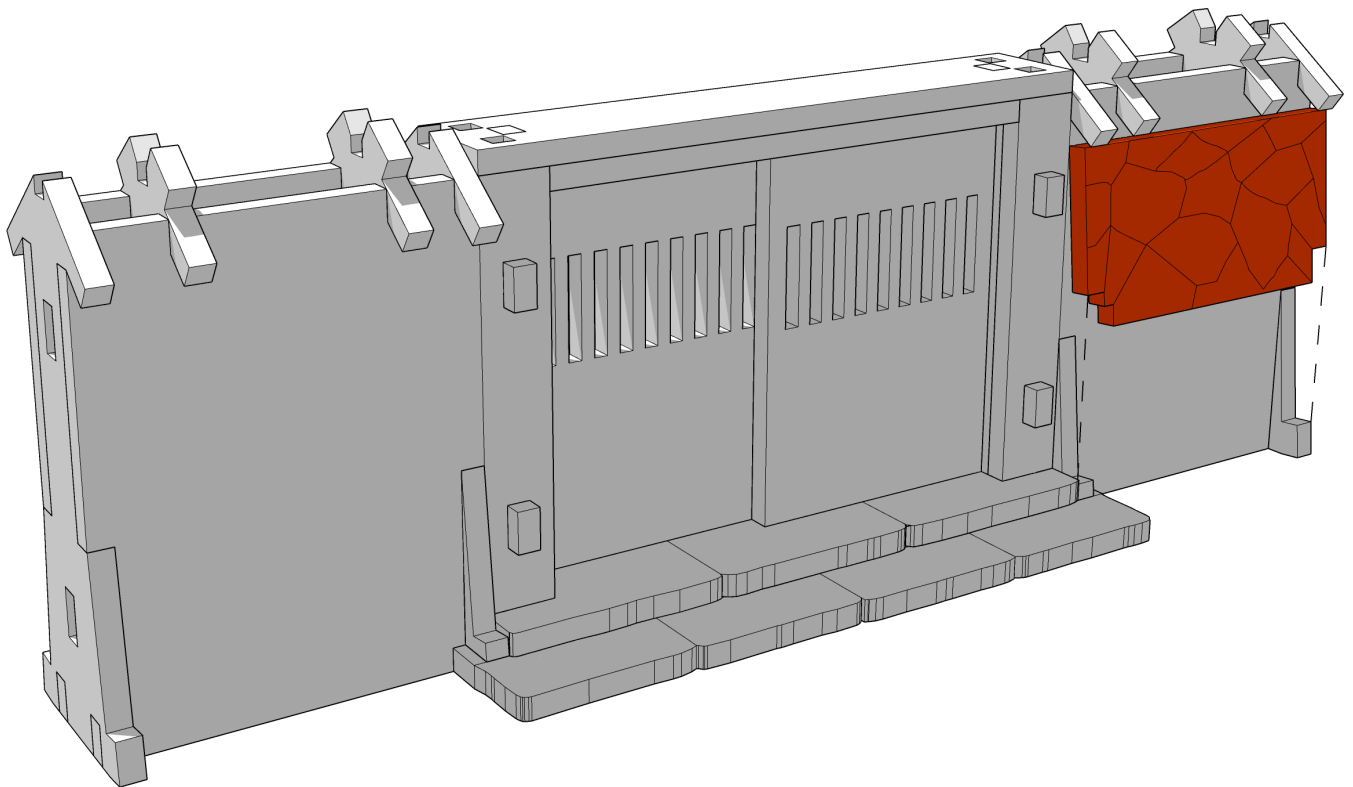




TABLETOP SCENICS

TTSCW-EES-100
Toshi:
Courtyard Walls

143



Match the detailing of the highlighted piece



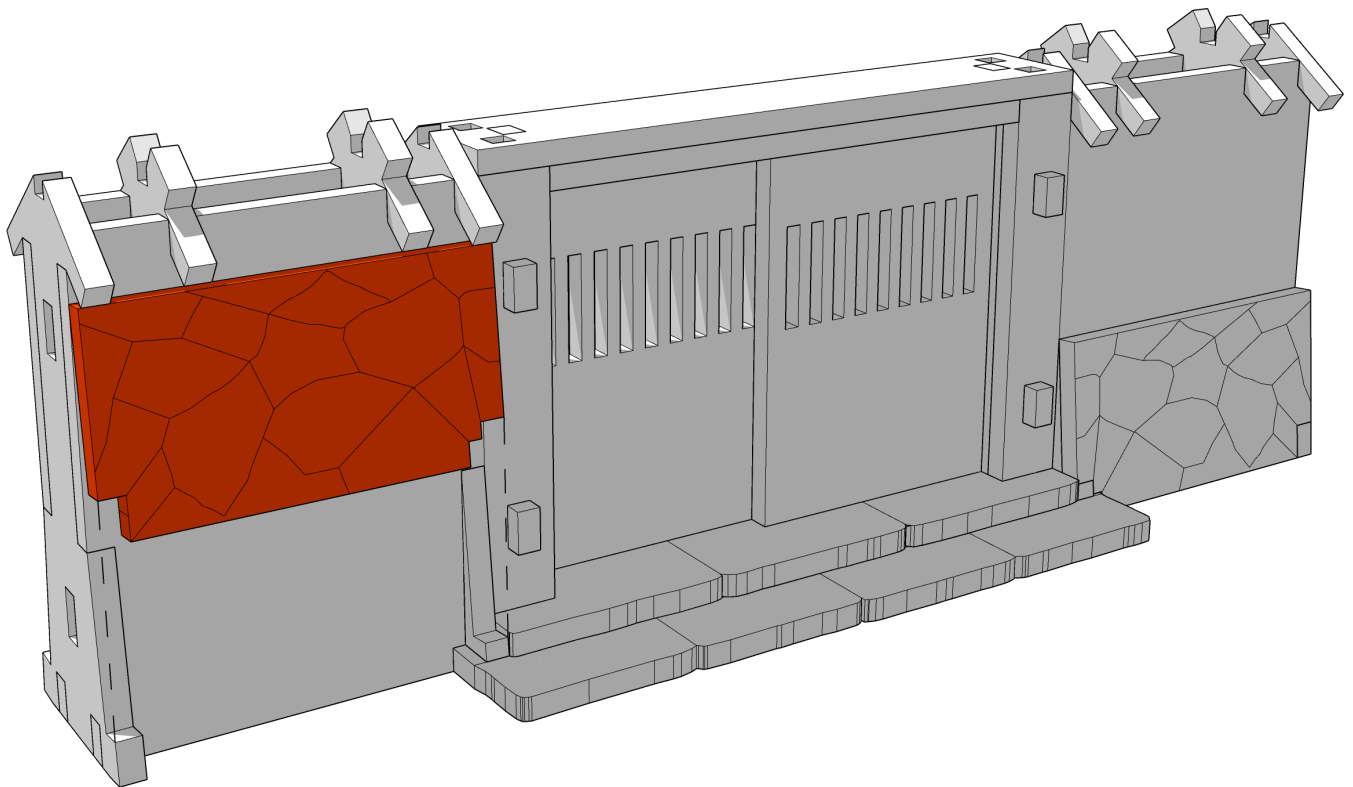
 **TTCOMBAT**



TABLETOP SCENICS

TTSCW-EES-100
Toshi:
Courtyard Walls

144



Match the detailing of the highlighted piece



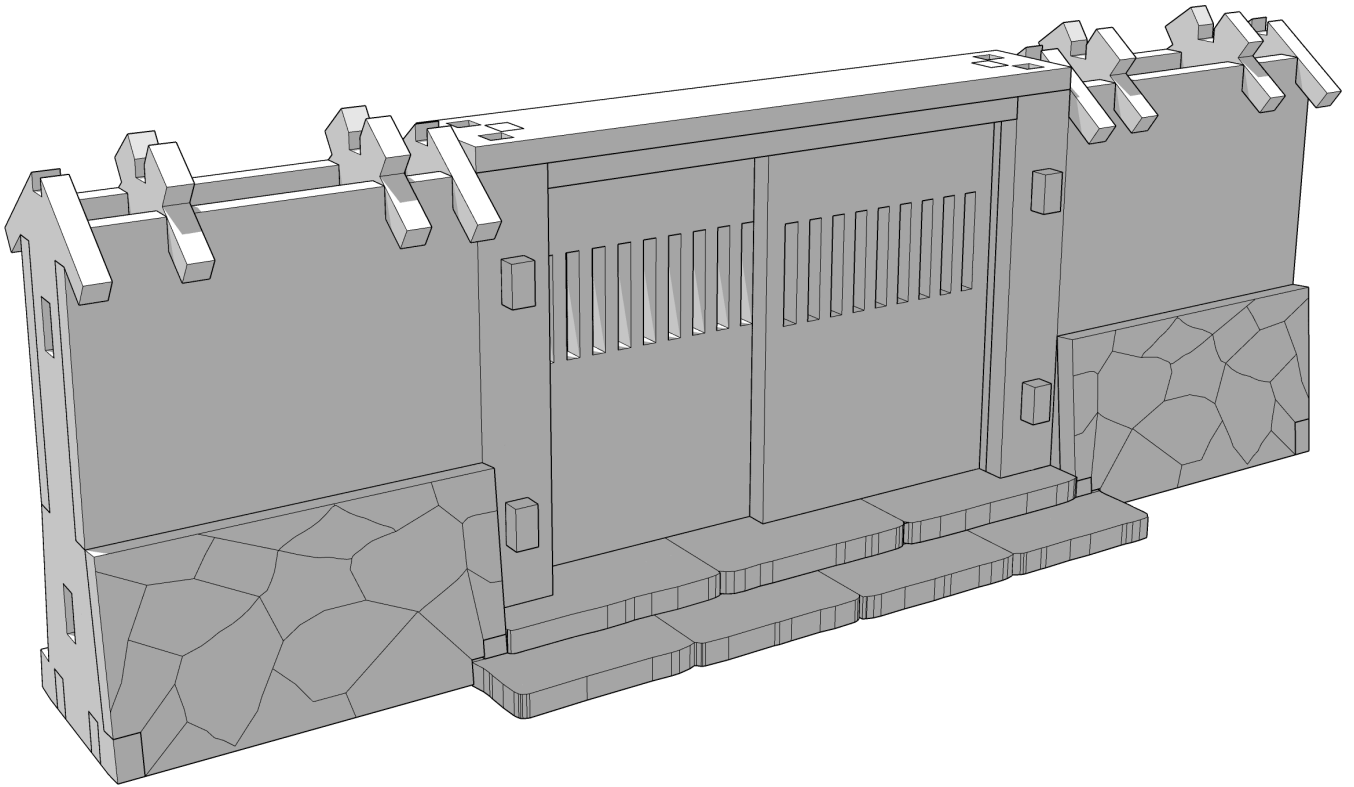
 **TTCOMBAT**



TABLETOP SCENICS

TTSCW-EES-100
Toshi:
Courtyard Walls

145

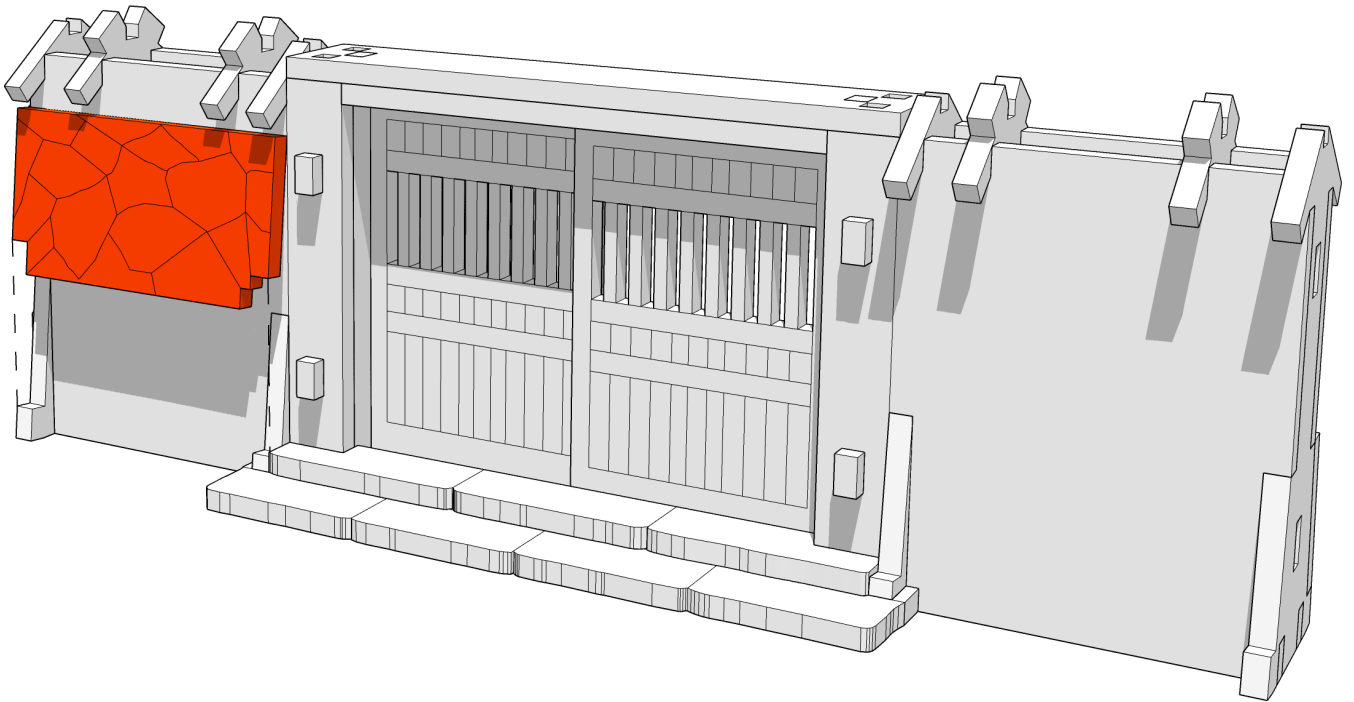




TABLETOP SCENICS

146

TTSCW-EES-100
Toshi:
Courtyard Walls



Match the detailing of the highlighted piece



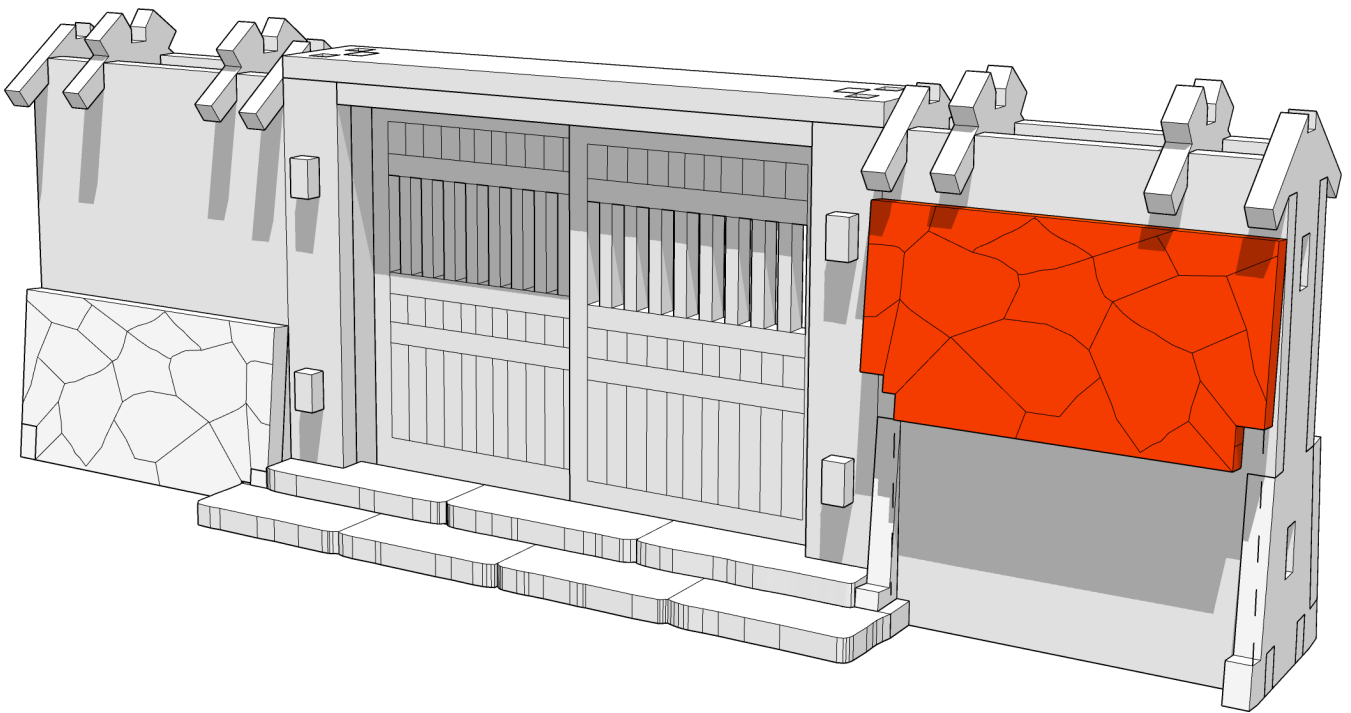
 **TTCOMBAT**



TABLETOP SCENICS

TTSCW-EES-100
Toshi:
Courtyard Walls

147



Match the detailing of the highlighted piece



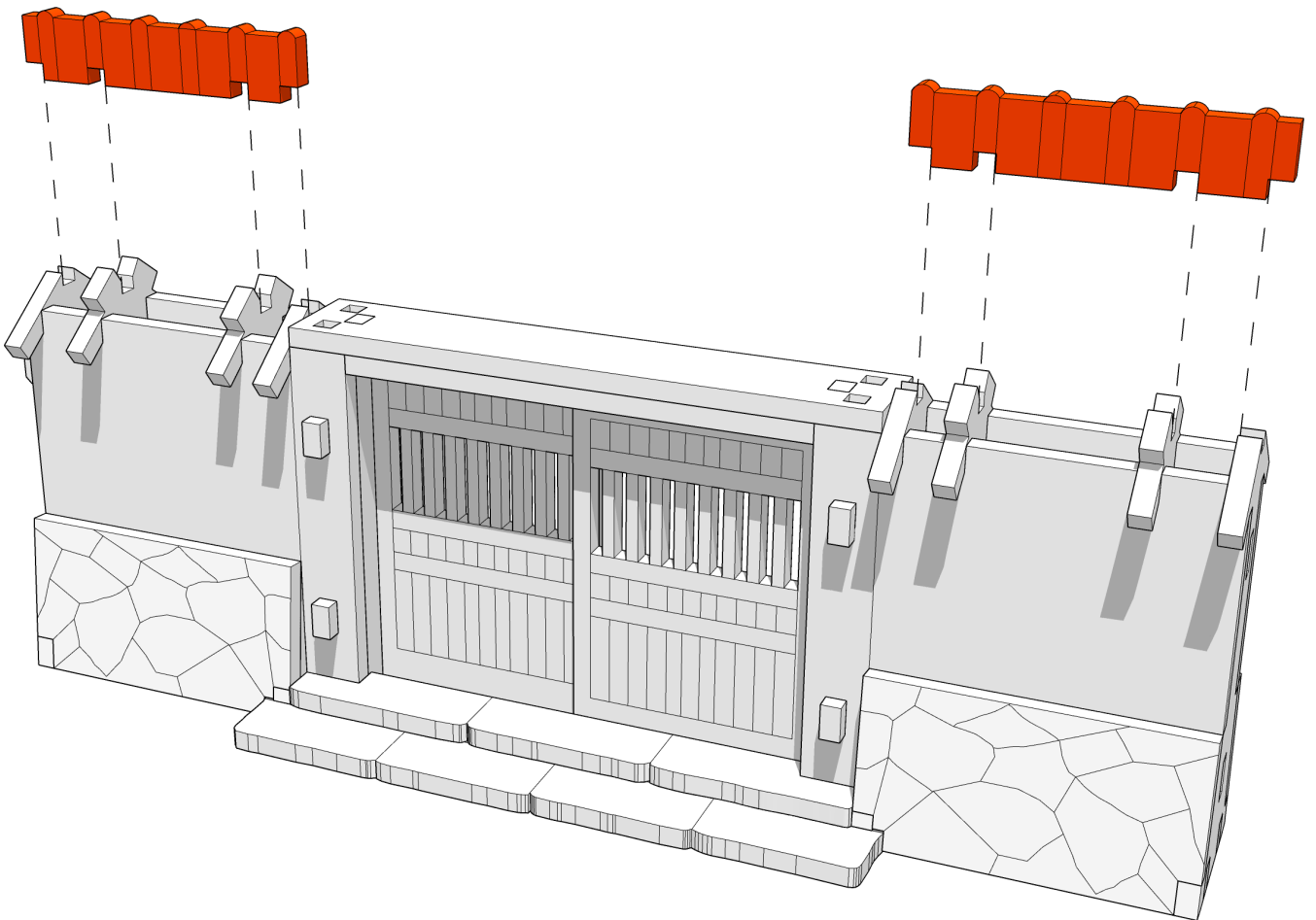
 **TTCOMBAT**



TABLETOP SCENICS

TTSCW-EES-100
Toshi:
Courtyard Walls

148

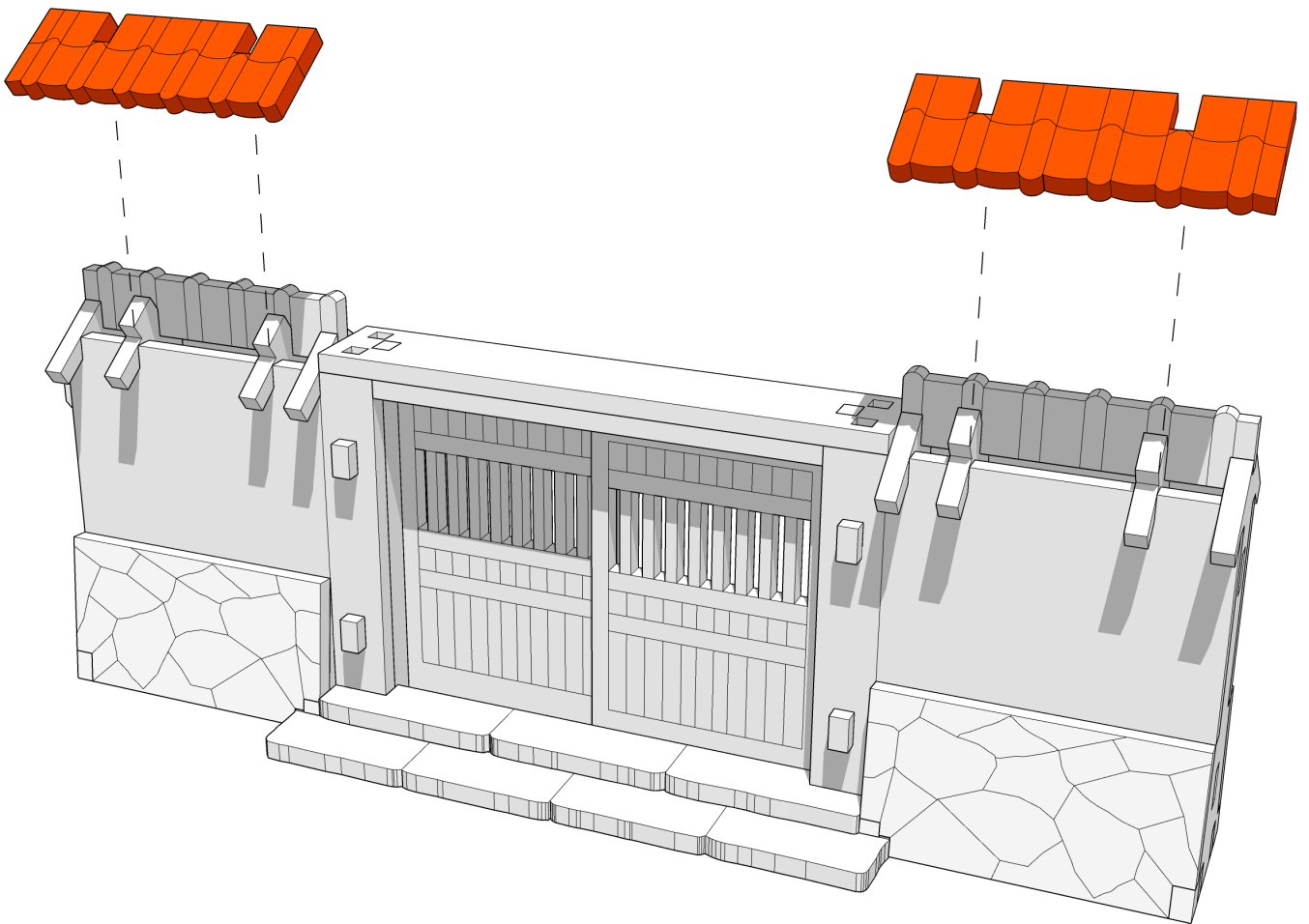




TABLETOP SCENICS

TTSCW-EES-100
Toshi:
Courtyard Walls

149

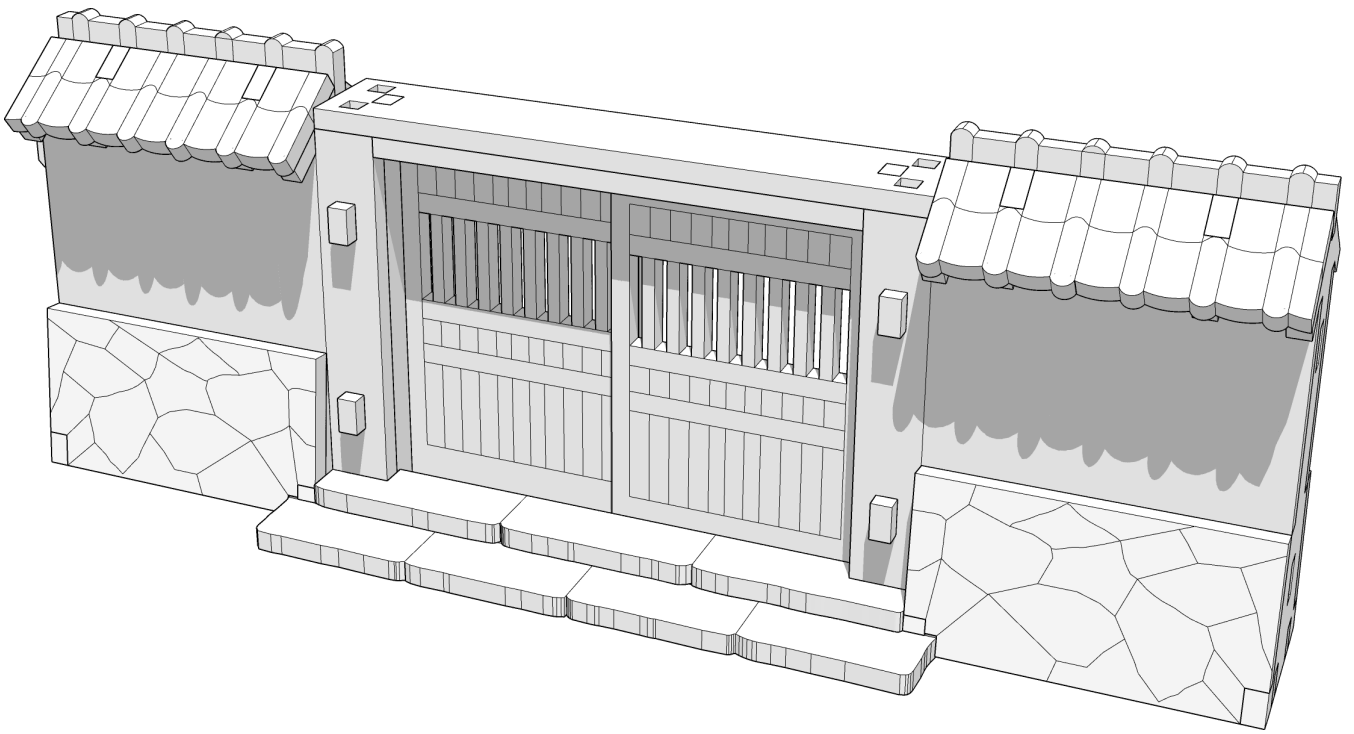




TABLETOP SCENICS

TTSCW-EES-100
Toshi:
Courtyard Walls

150

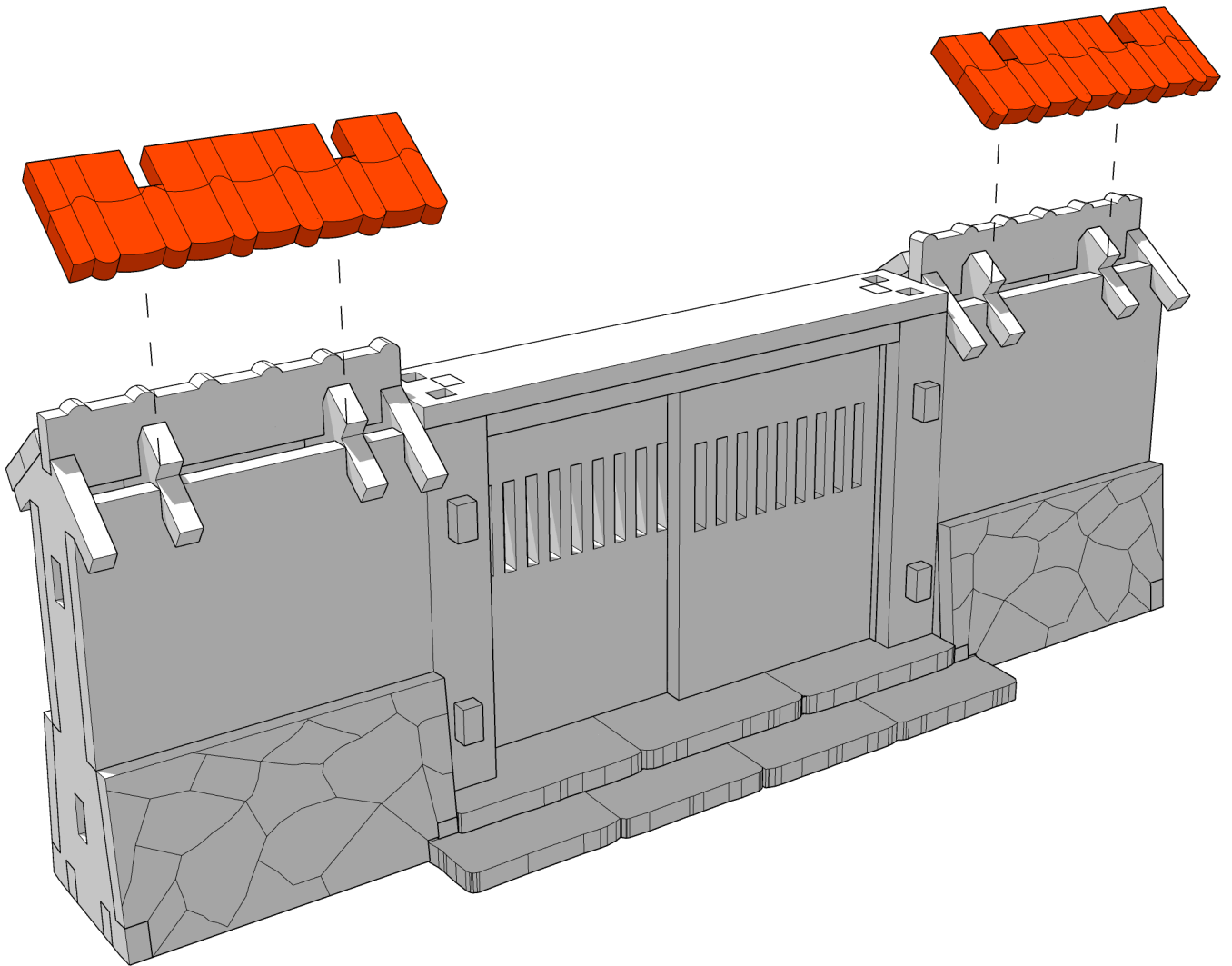




TABLETOP SCENICS

TTSCW-EES-100
Toshi:
Courtyard Walls

151

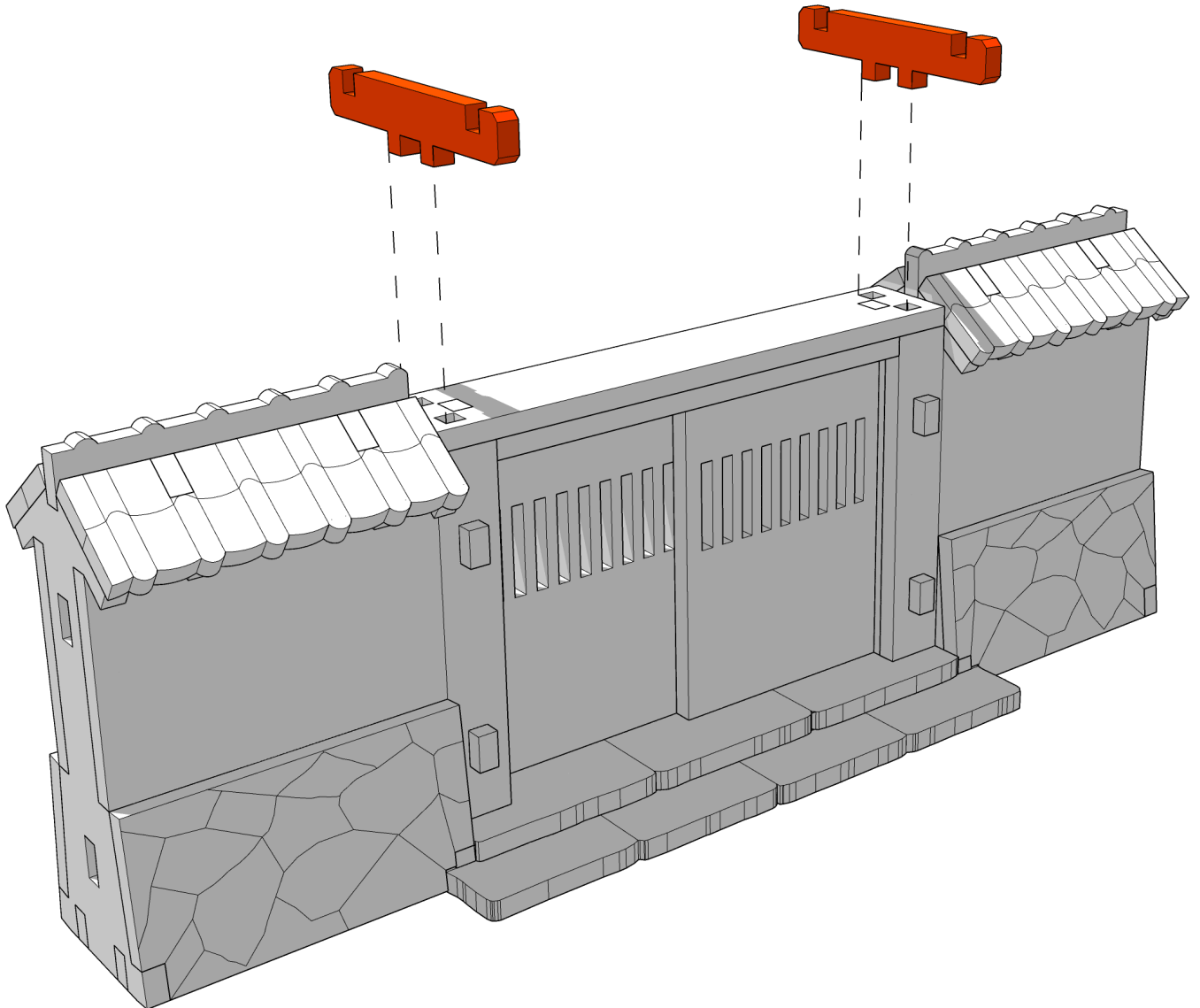




TABLETOP SCENICS

152

TTSCW-EES-100
Toshi:
Courtyard Walls

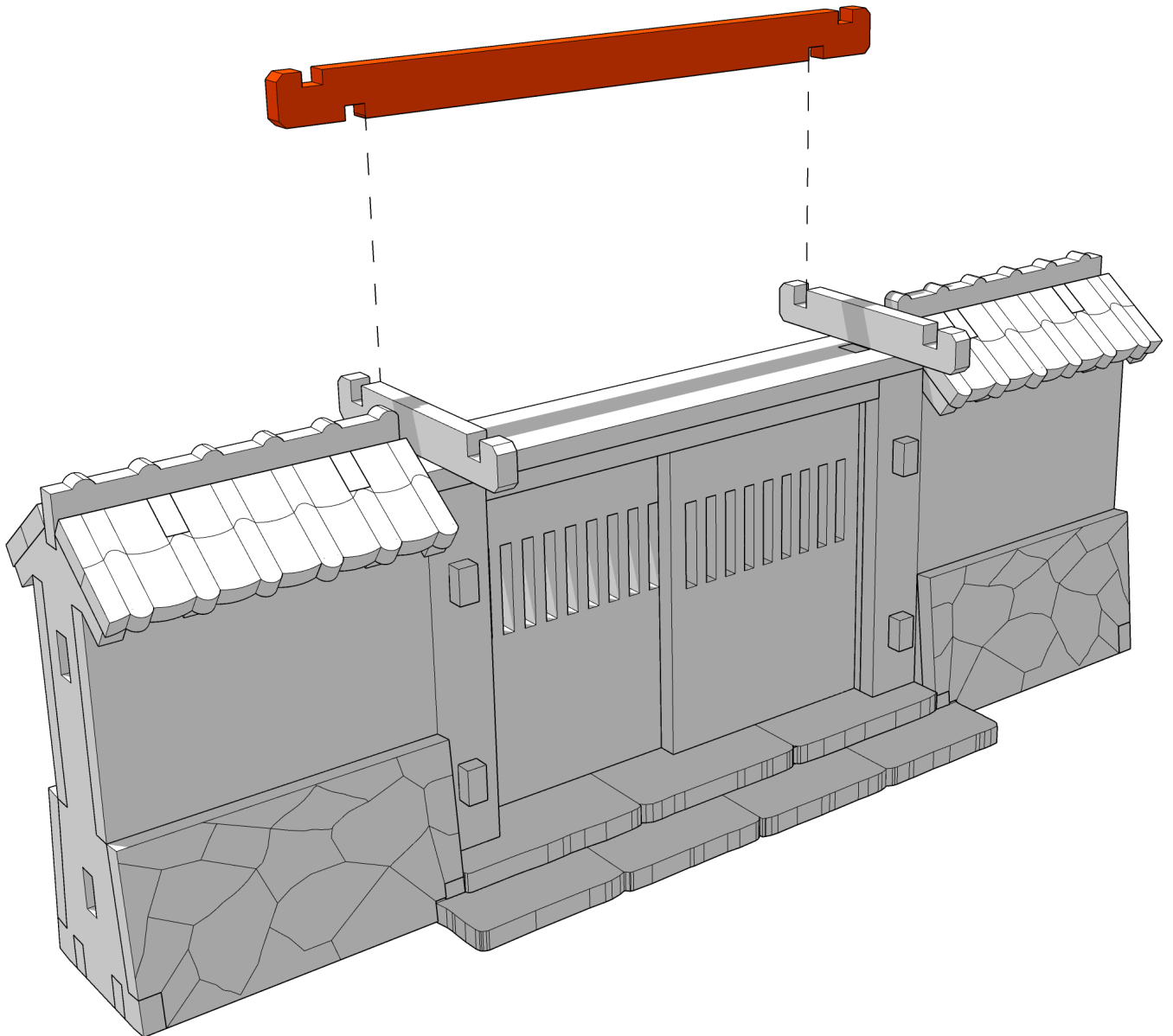


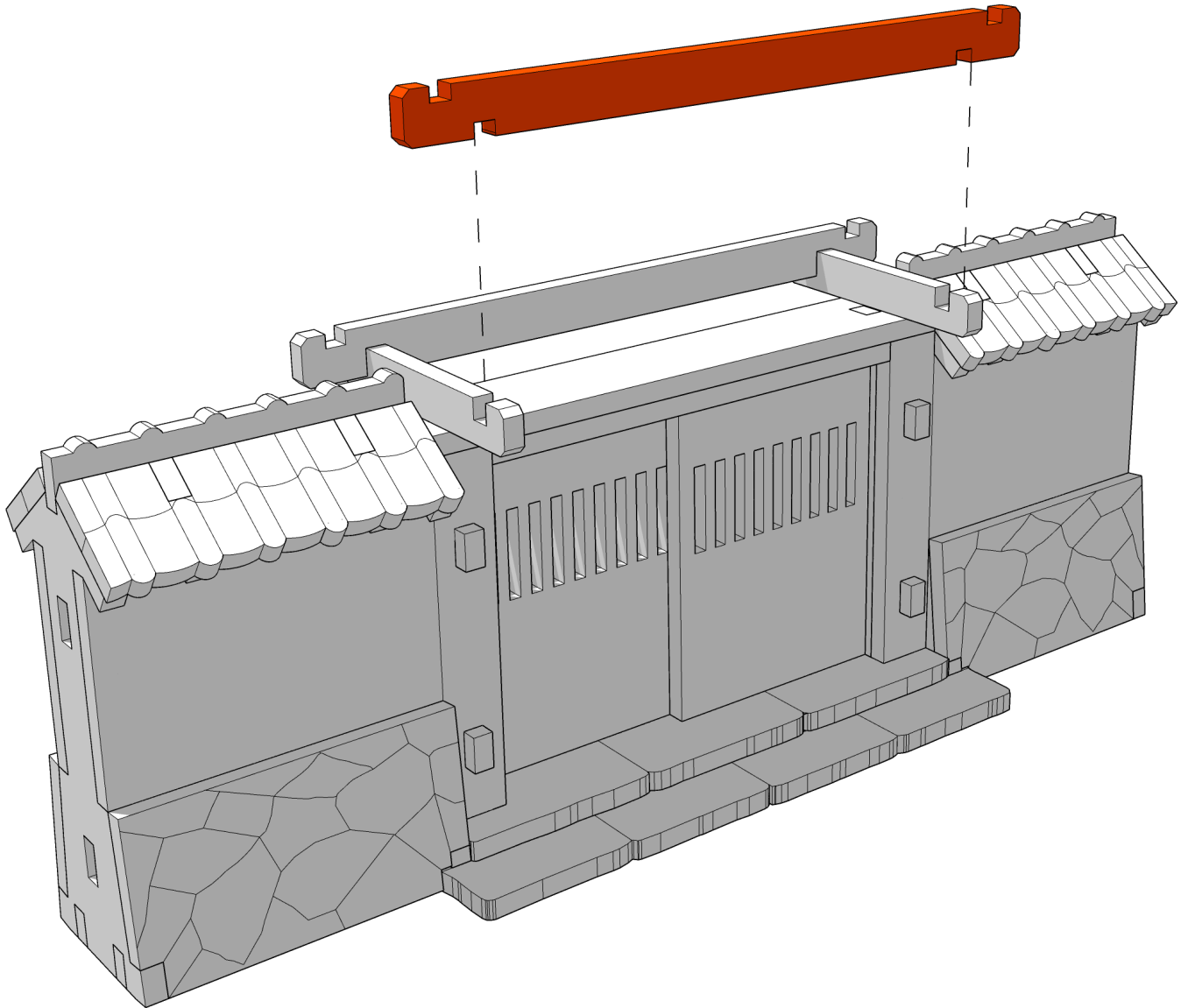


TABLETOP SCENICS

153

TTSCW-EES-100
Toshi:
Courtyard Walls



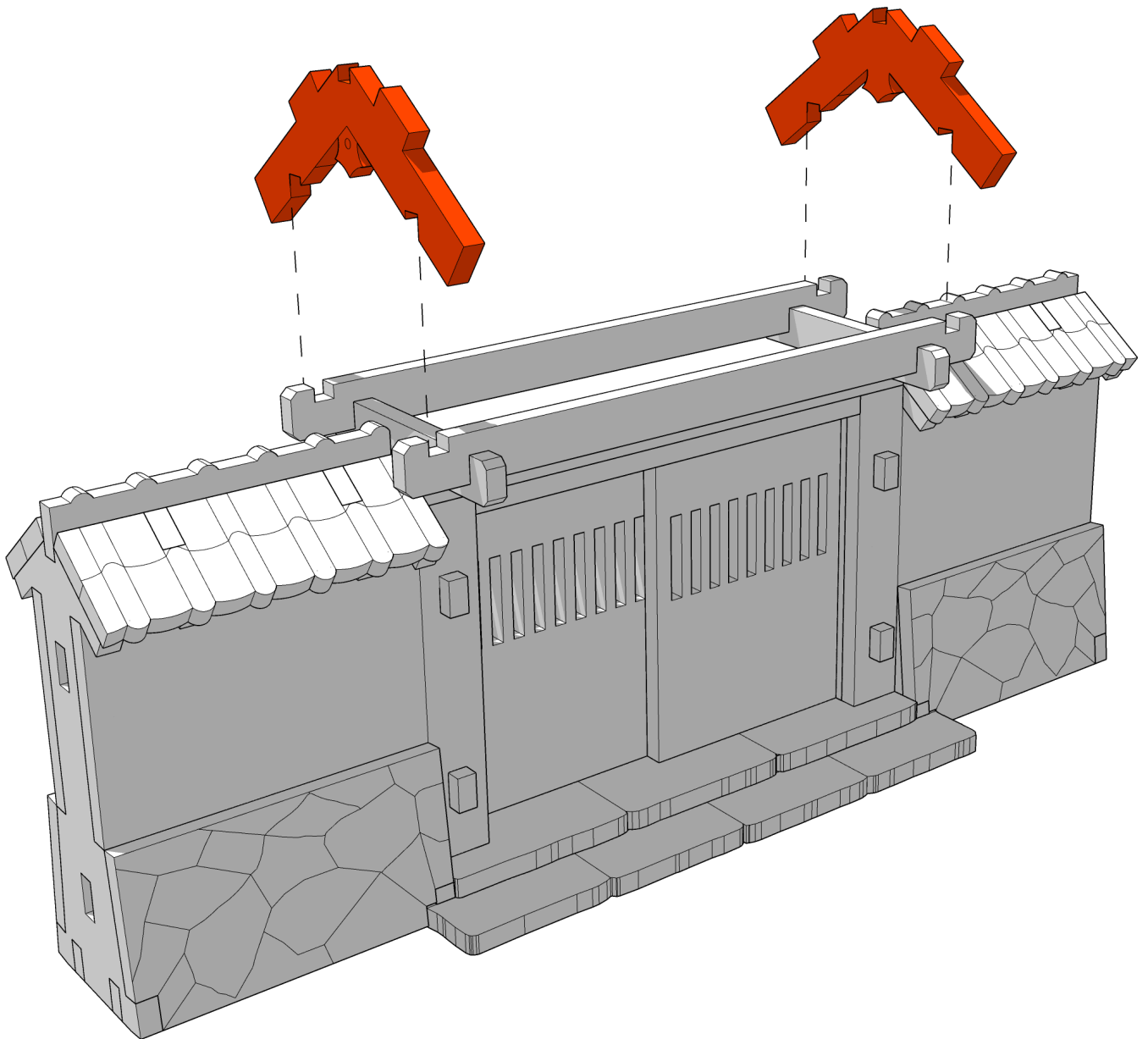




TABLETOP SCENICS

TTSCW-EES-100
Toshi:
Courtyard Walls

155

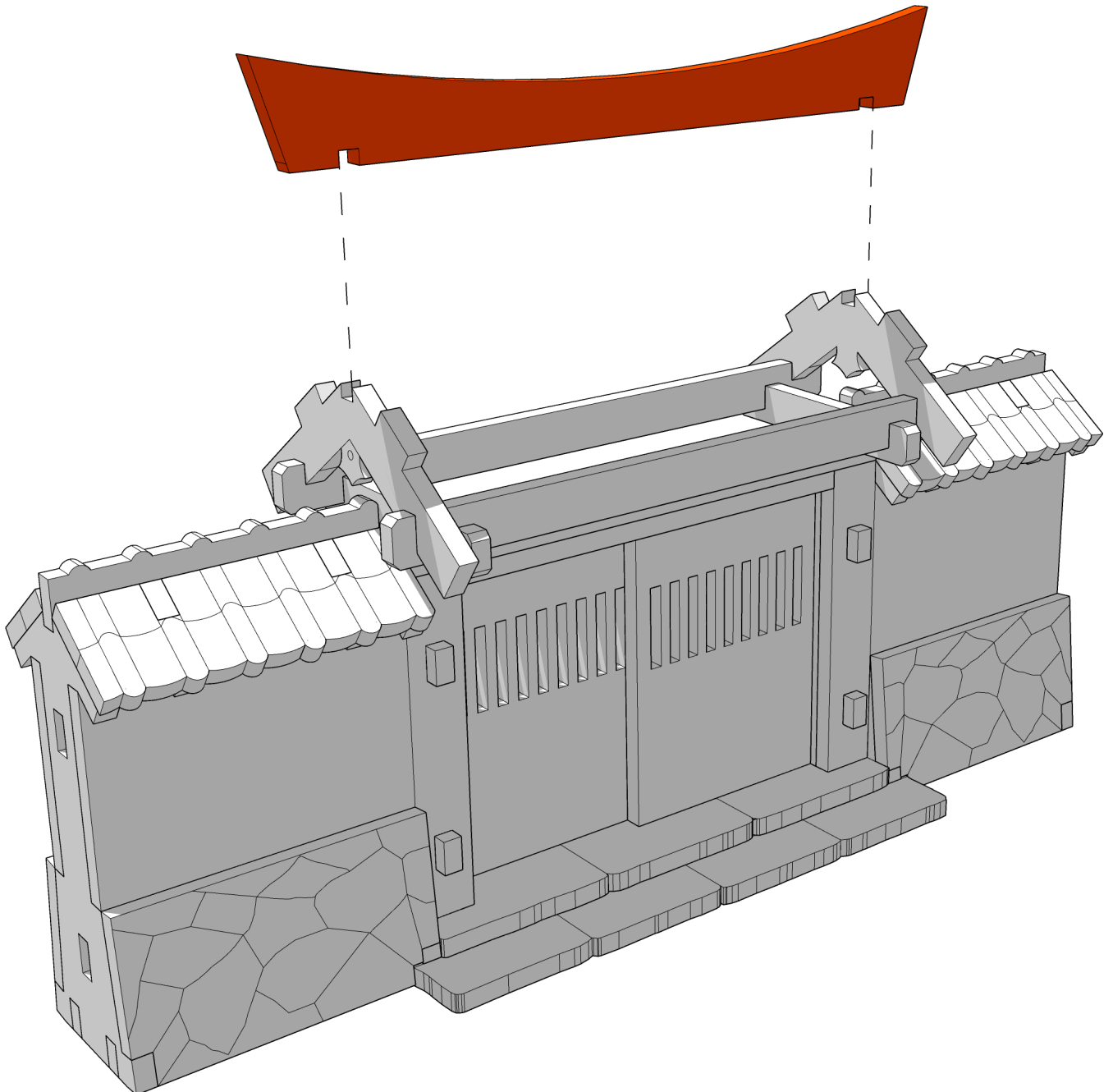




TABLETOP SCENICS

TTSCW-EES-100
Toshi:
Courtyard Walls

156

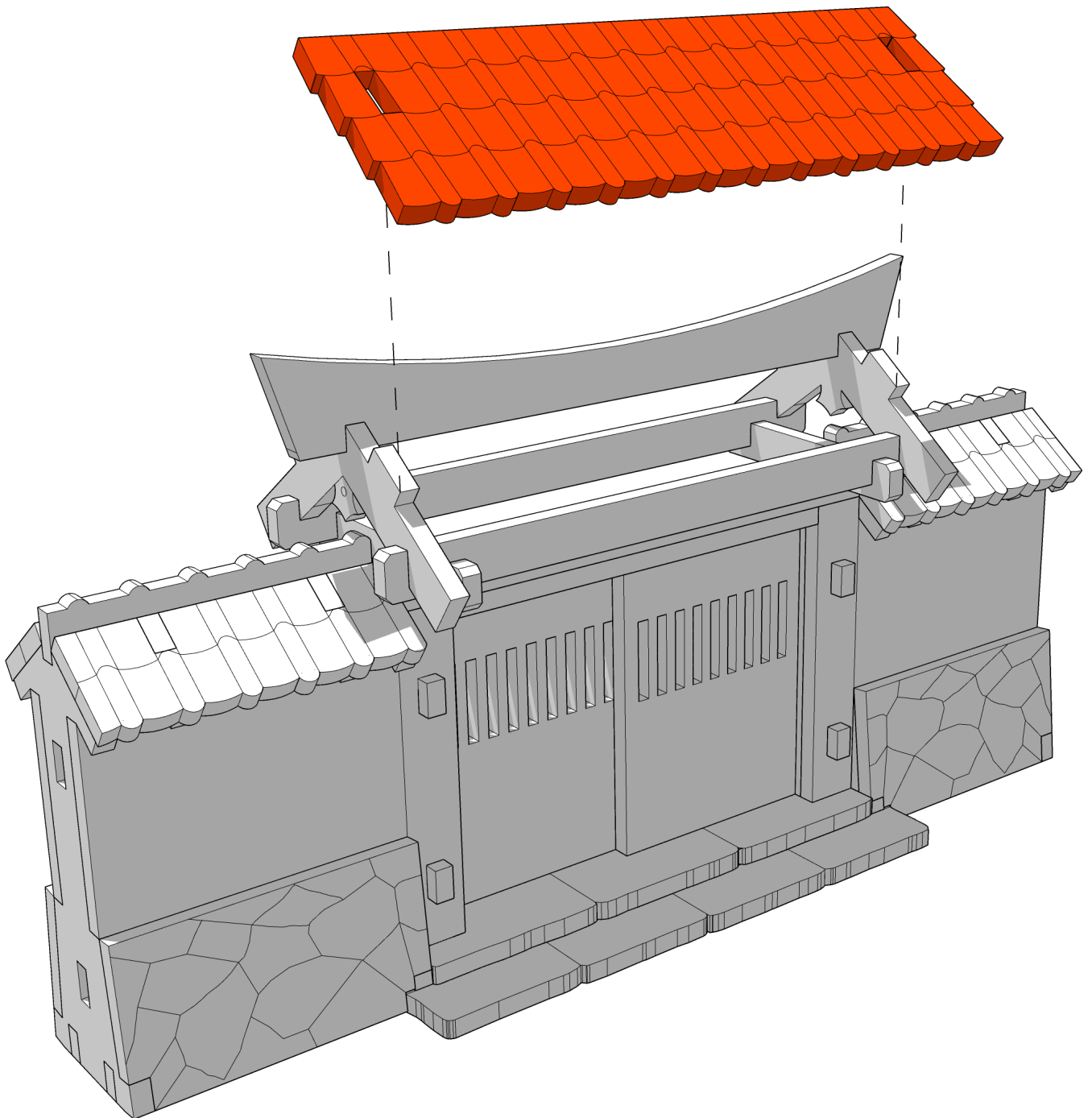




TABLETOP SCENICS

TTSCW-EES-100
Toshi:
Courtyard Walls

157

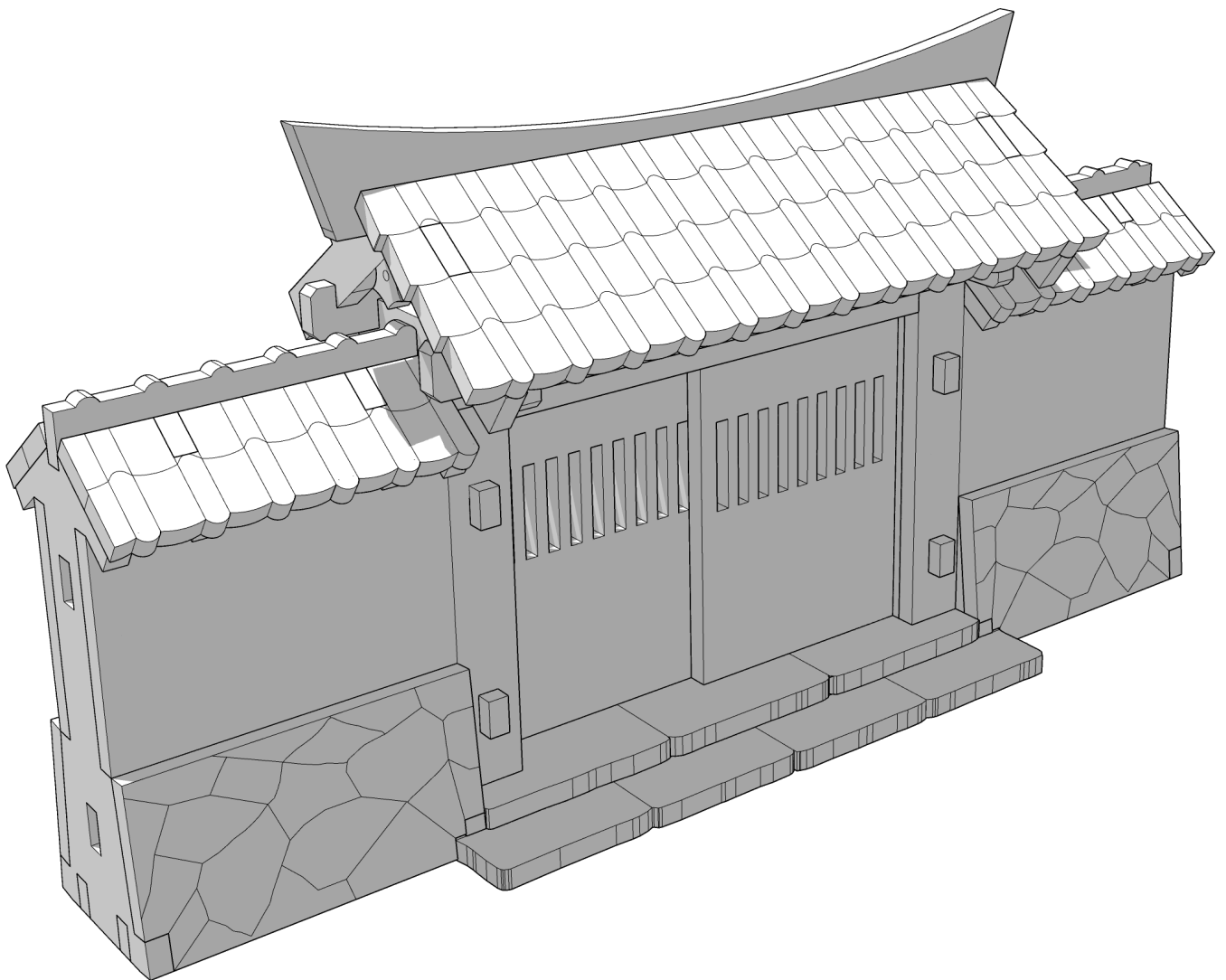




TABLETOP SCENICS

TTSCW-EES-100
Toshi:
Courtyard Walls

158

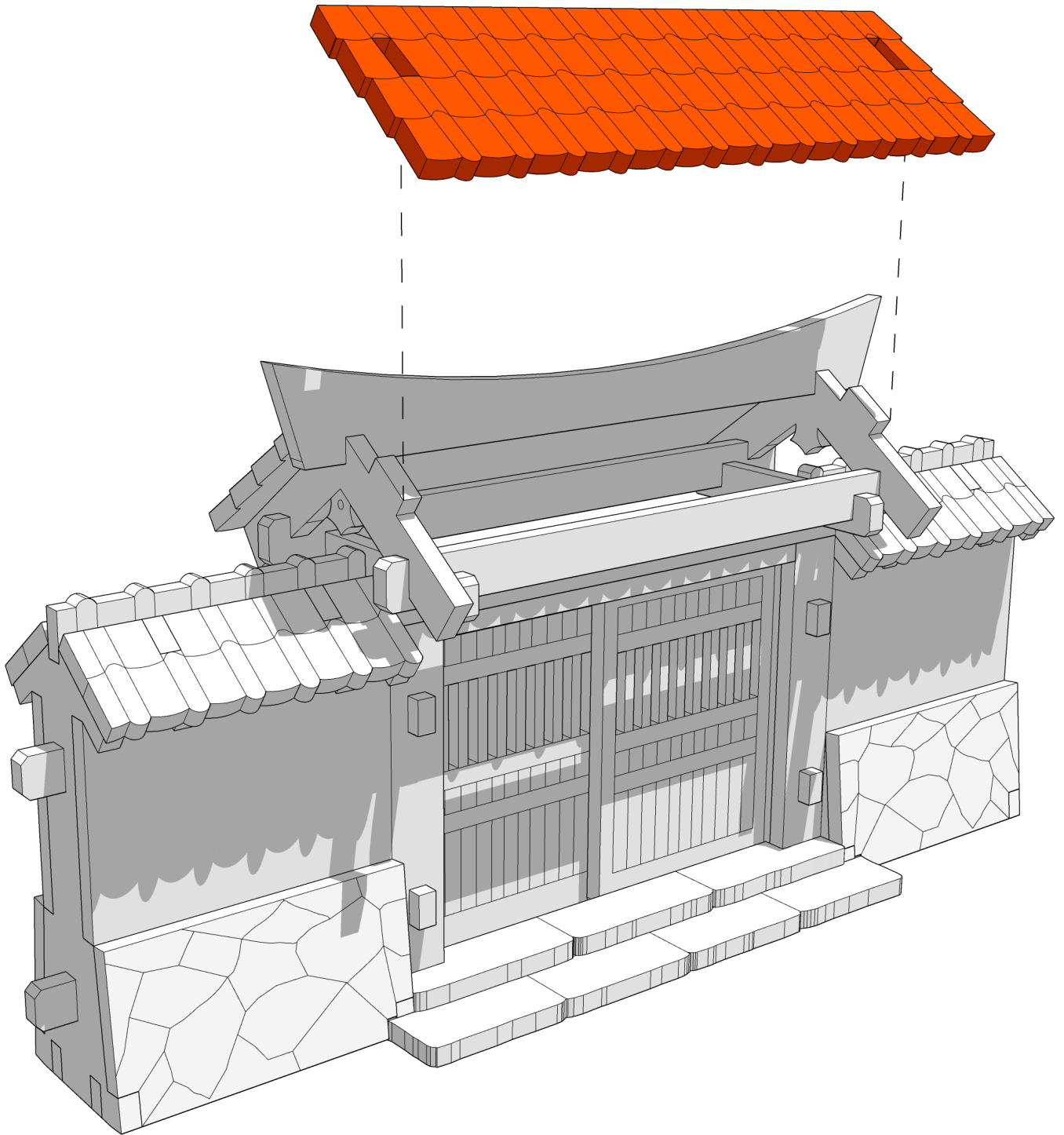




TABLETOP SCENICS

TTSCW-EES-100
Toshi:
Courtyard Walls

159

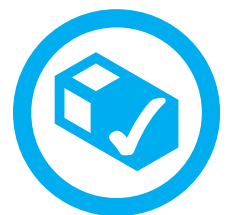
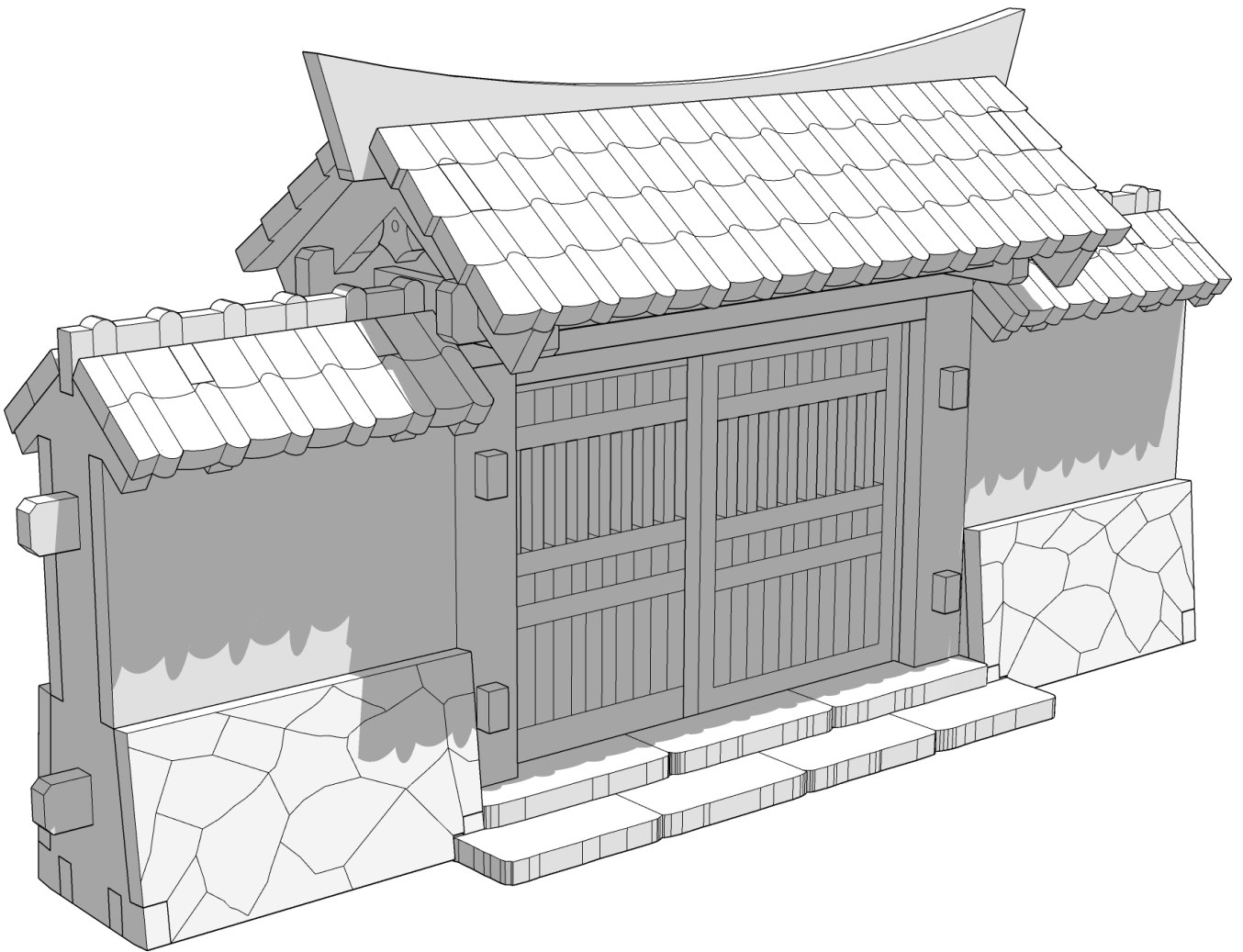




TABLETOP SCENICS

160

TTSCW-EES-100
Toshi:
Courtyard Walls



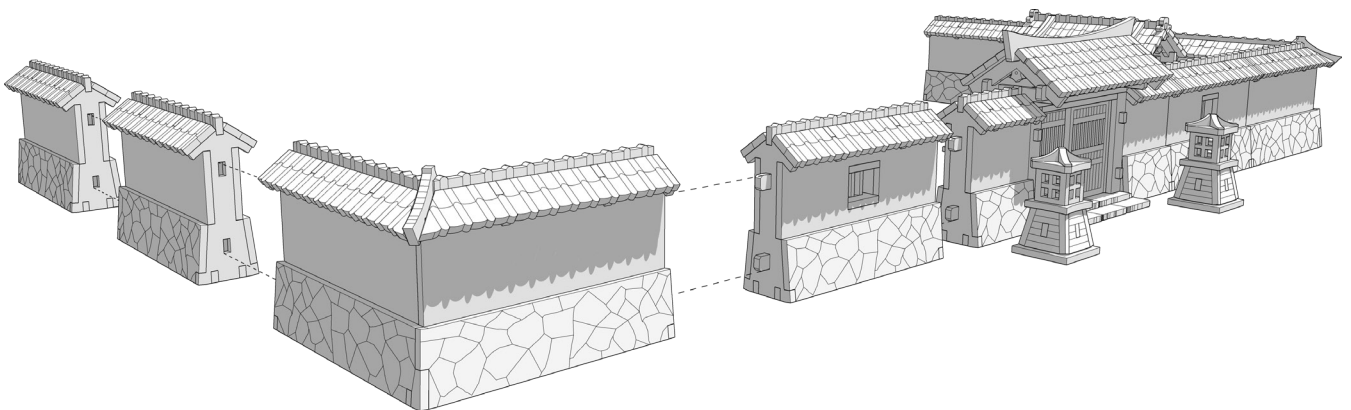
 TTCOMBAT



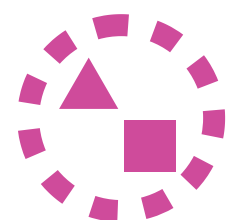
TABLETOP SCENICS

TTSCW-EES-100
Toshi:
Courtyard Walls

161



Layout of the walls is optional as is glueing them together. For storage its recommended to not glue together. Some of the connectors may need filing to fit



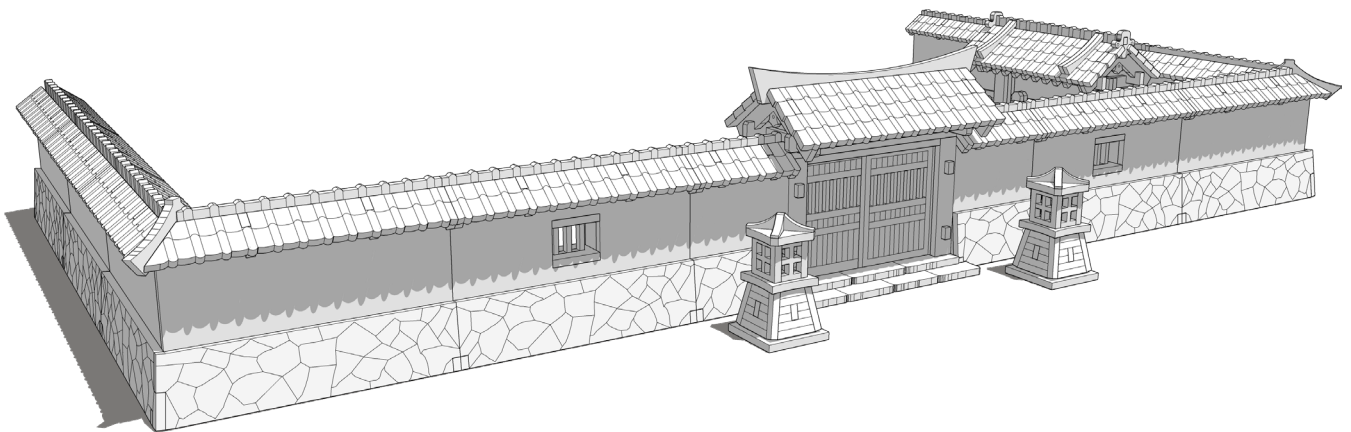
 **TTCOMBAT**



TABLETOP SCENICS

TTSCW-EES-100
Toshi:
Courtyard Walls

162



 **TTCOMBAT**