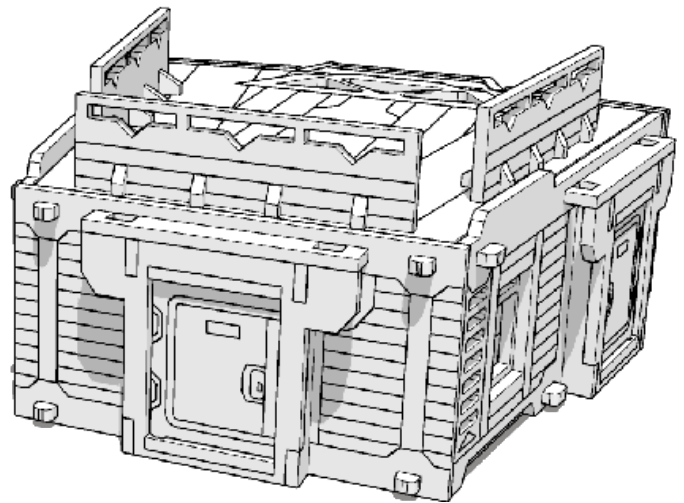
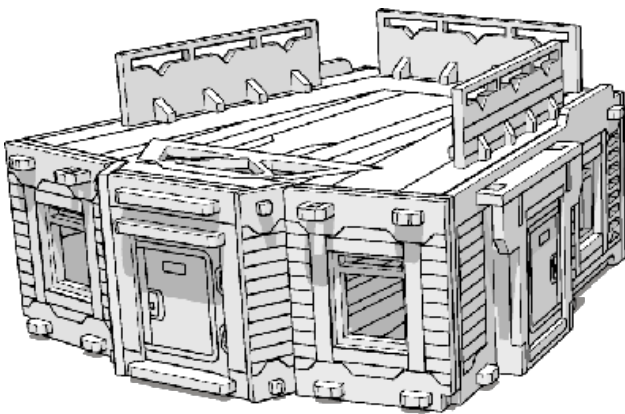




**TABLETOP
SCENICS**

**TTSCW-SFU-129
Cashstacks: Demi Block**



 **TTCOMBAT**



TABLETOP SCENICS

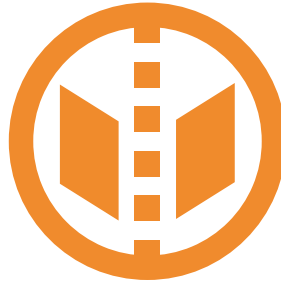
TTSCW-SFU-129
Cashstacks: Demi Block

2

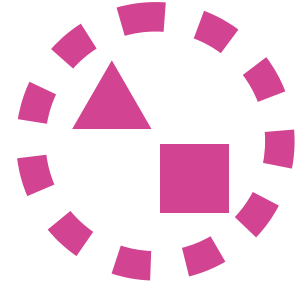
These are a series of icons that may be used throughout the instructions to help your assembly.
If in doubt, scroll ahead to confirm.



Do not glue this part



Carefully score and
fold this part



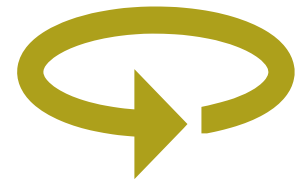
This part - or its placement is
completely optional



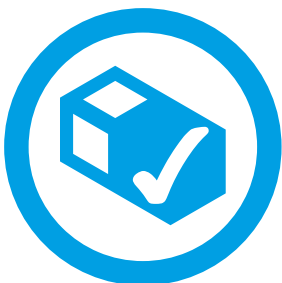
Look closely at this step -
The process order or part
used, may be specific



Repeat making this part
the specified number
of times



The next instruction step
will be the same assembly
so far, but from a different
angle



Sub-assembly complete.
This smaller construction
is ready to add to the
main kit



Assembly Complete! There
could be more optional
parts - check to the very end
of instructions



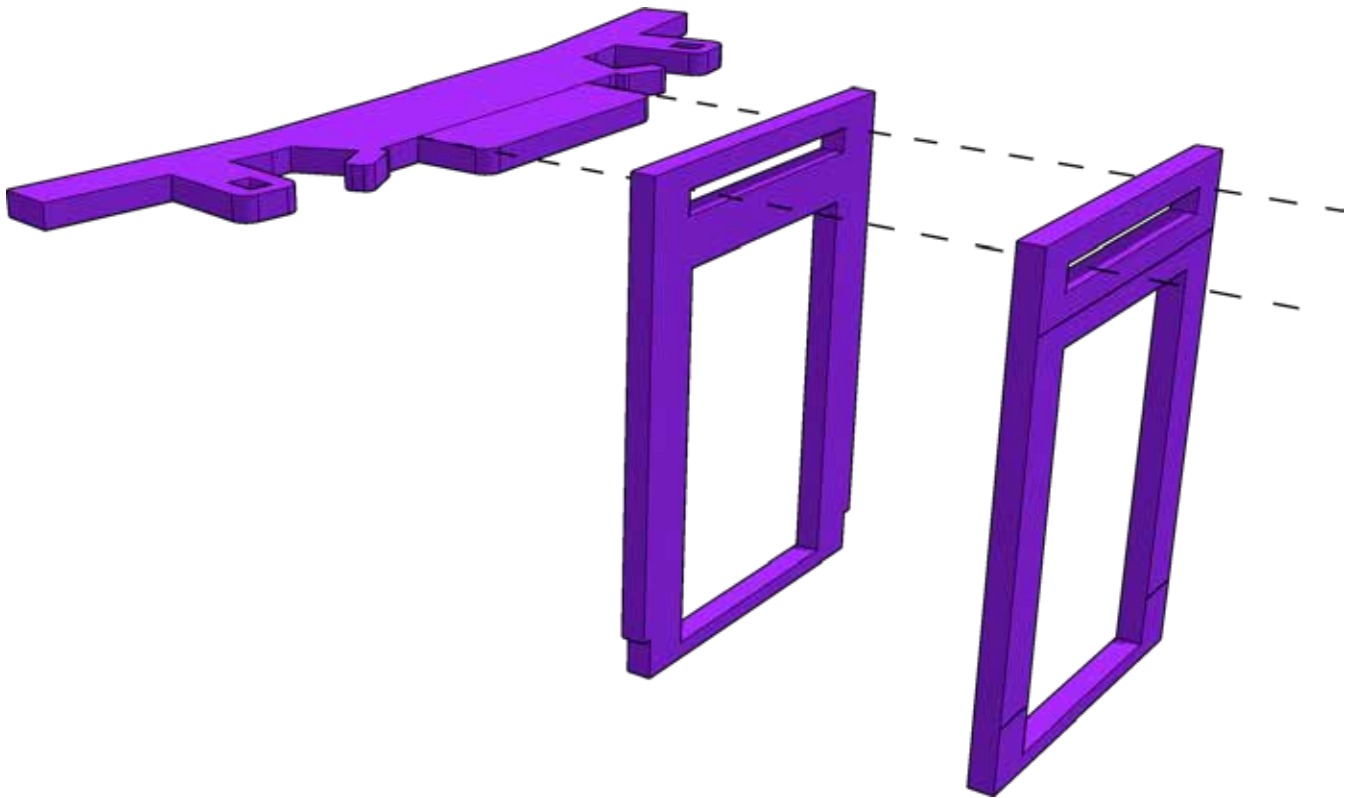
FRAGILE: DO NOT BEND.
“Bendy wood” is designed to
curve around a designed
frame only.



TABLETOP SCENICS

TTSCW-SFU-129
Cashstacks: Demi Block

3

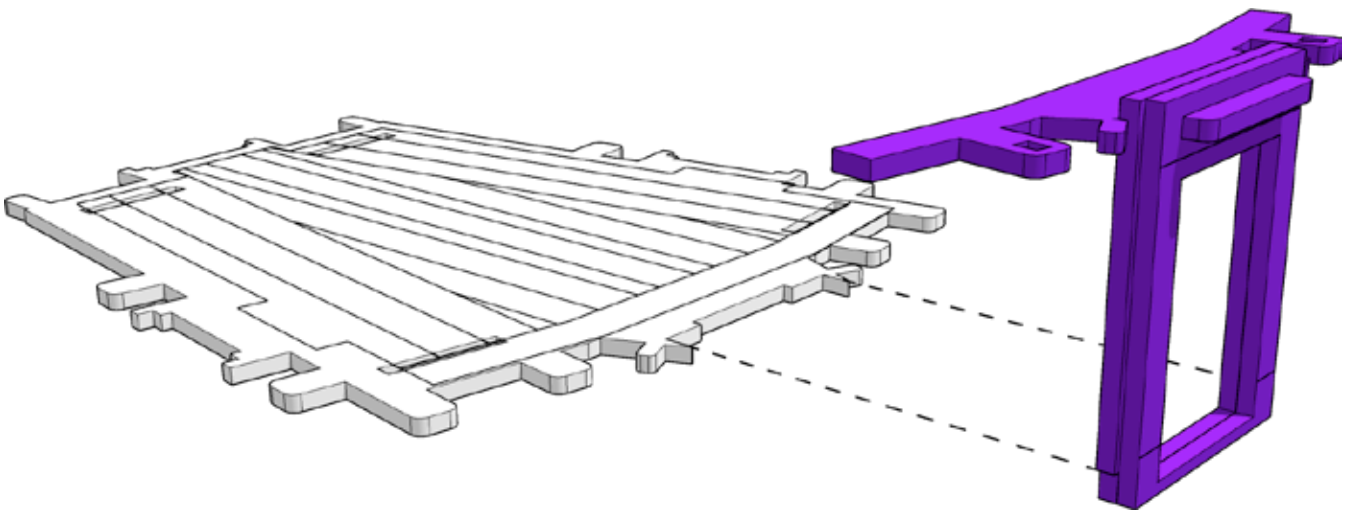




TABLETOP SCENICS

TTSCW-SFU-129
Cashstacks: Demi Block

4

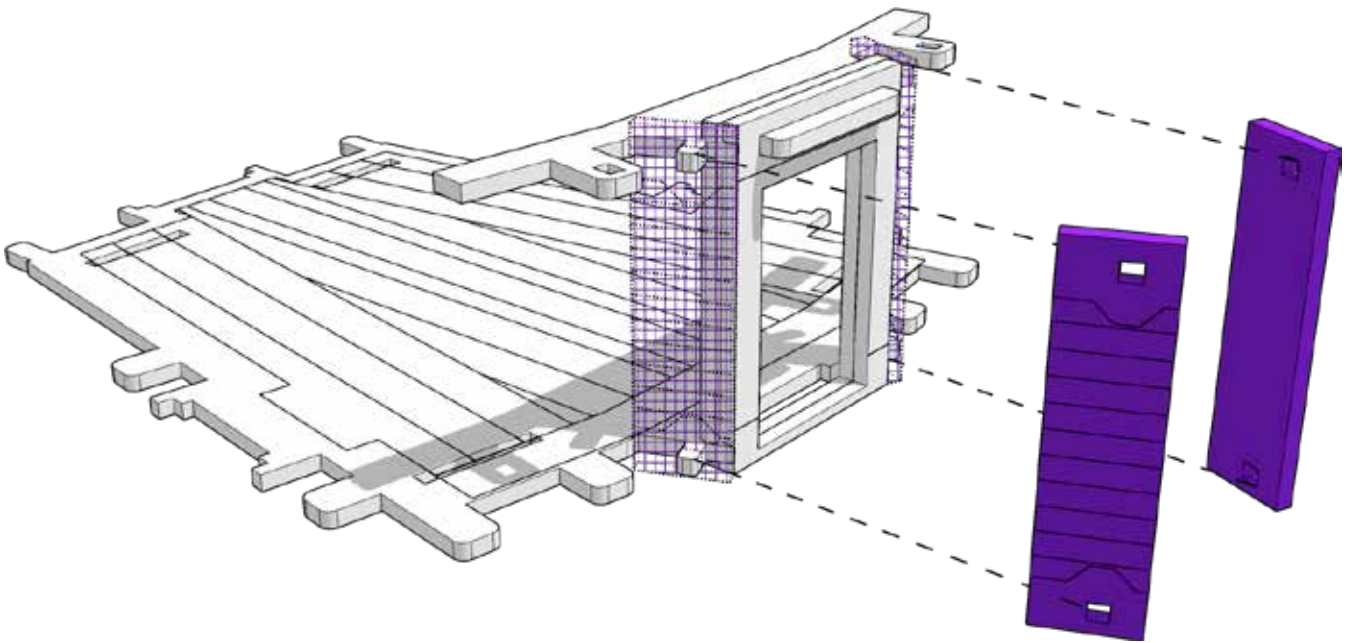




TABLETOP SCENICS

TTSCW-SFU-129
Cashstacks: Demi Block

5

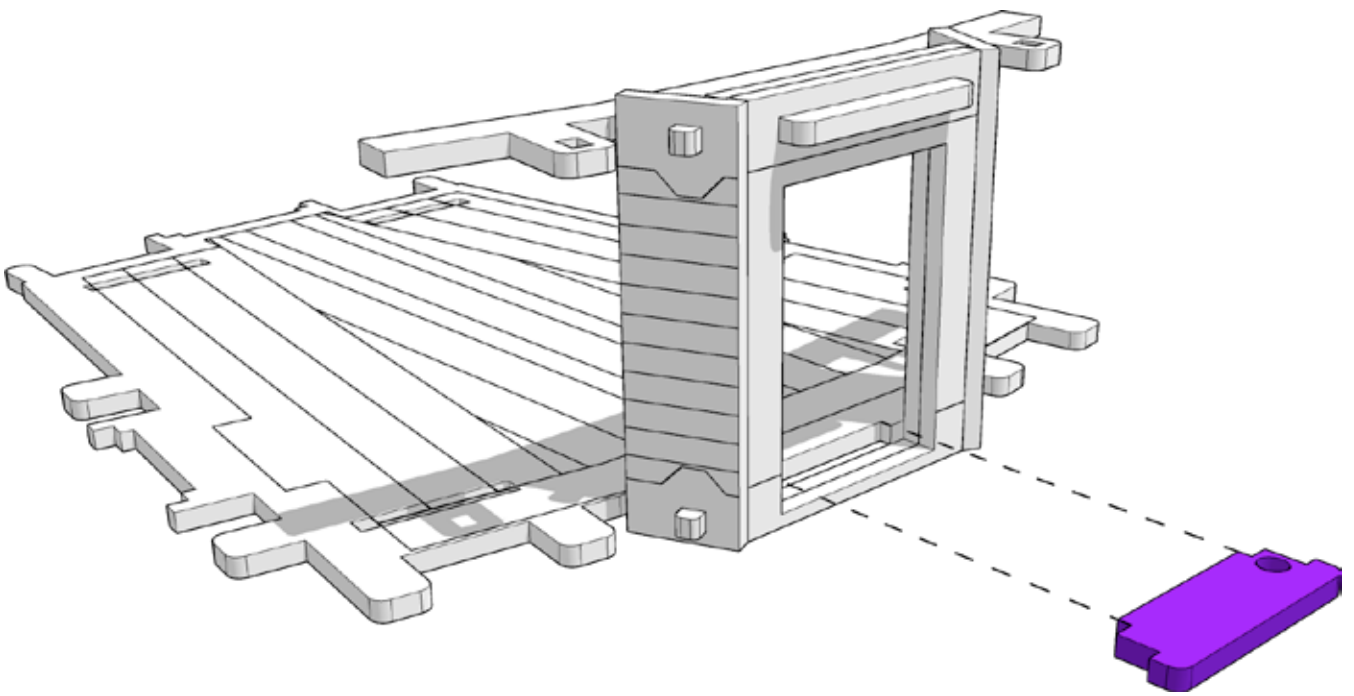




TABLETOP SCENICS

TTSCW-SFU-129
Cashstacks: Demi Block

6

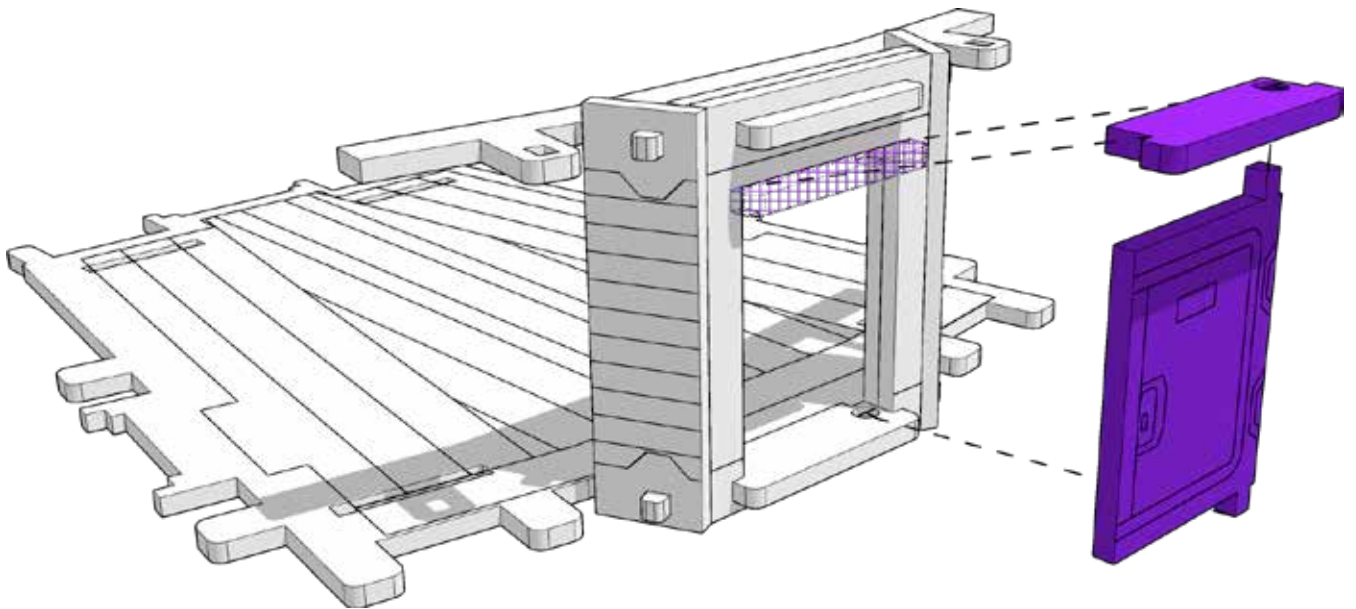




TABLETOP SCENICS

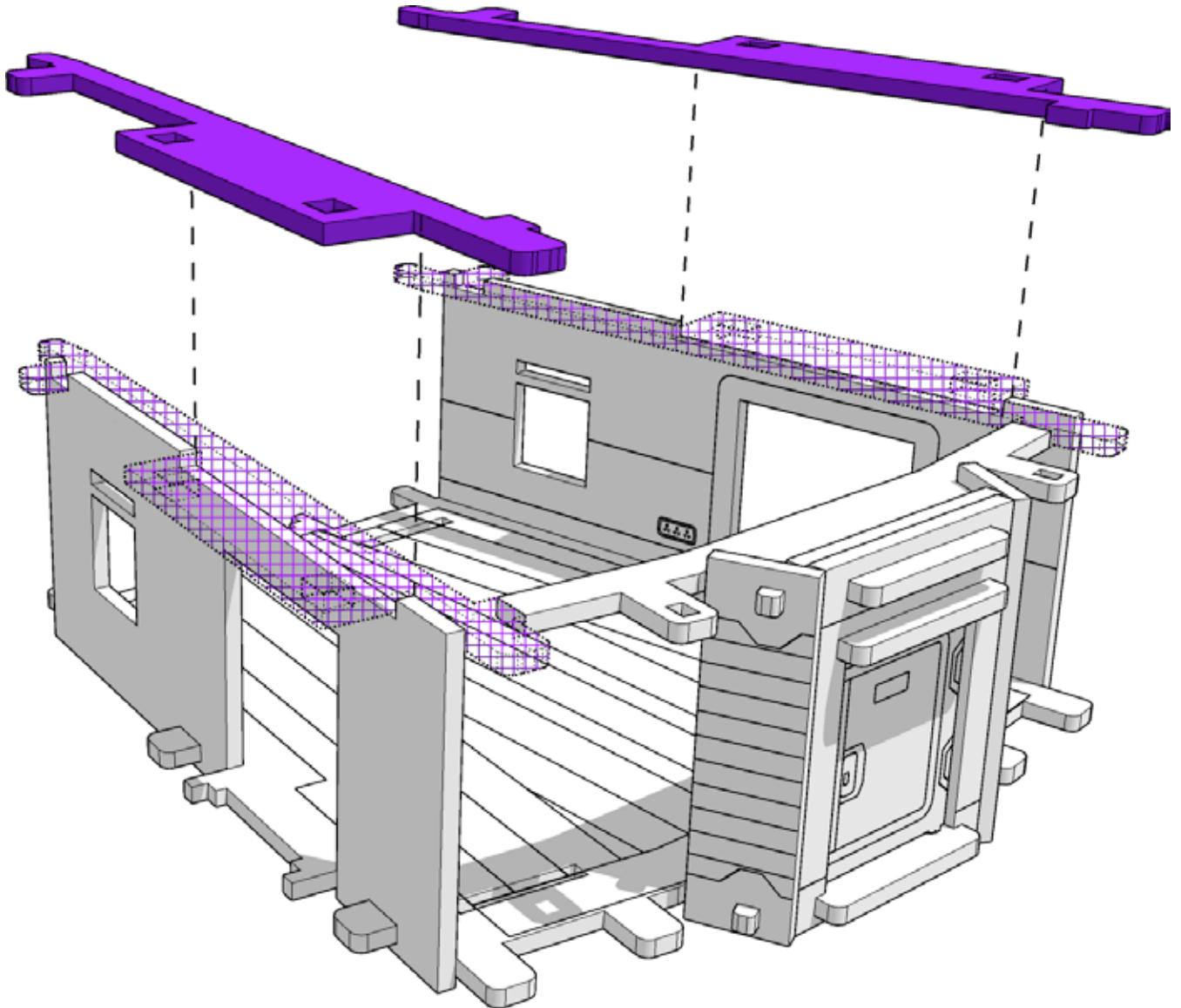
TTSCW-SFU-129
Cashstacks: Demi Block

7





8

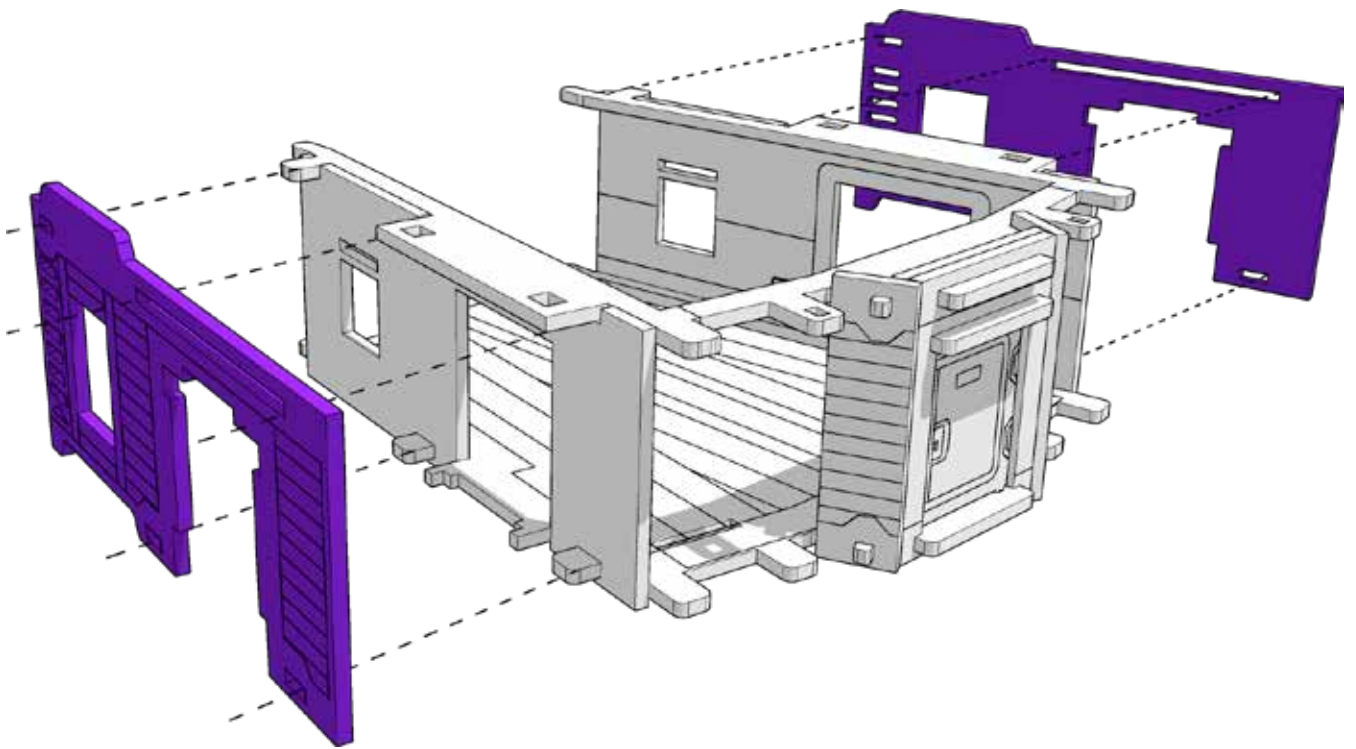




TABLETOP SCENICS

TTSCW-SFU-129
Cashstacks: Demi Block

9

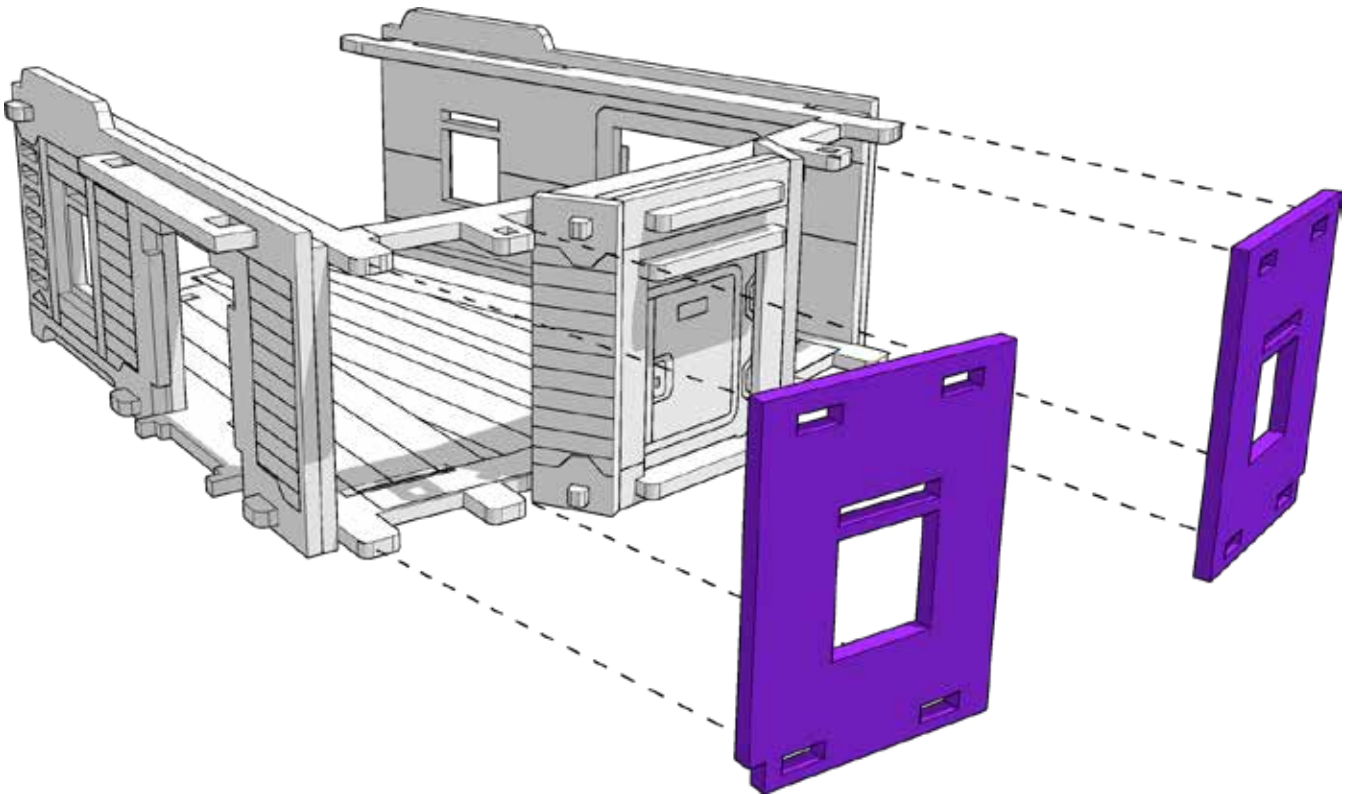




TABLETOP SCENICS

TTSCW-SFU-129
Cashstacks: Demi Block

10

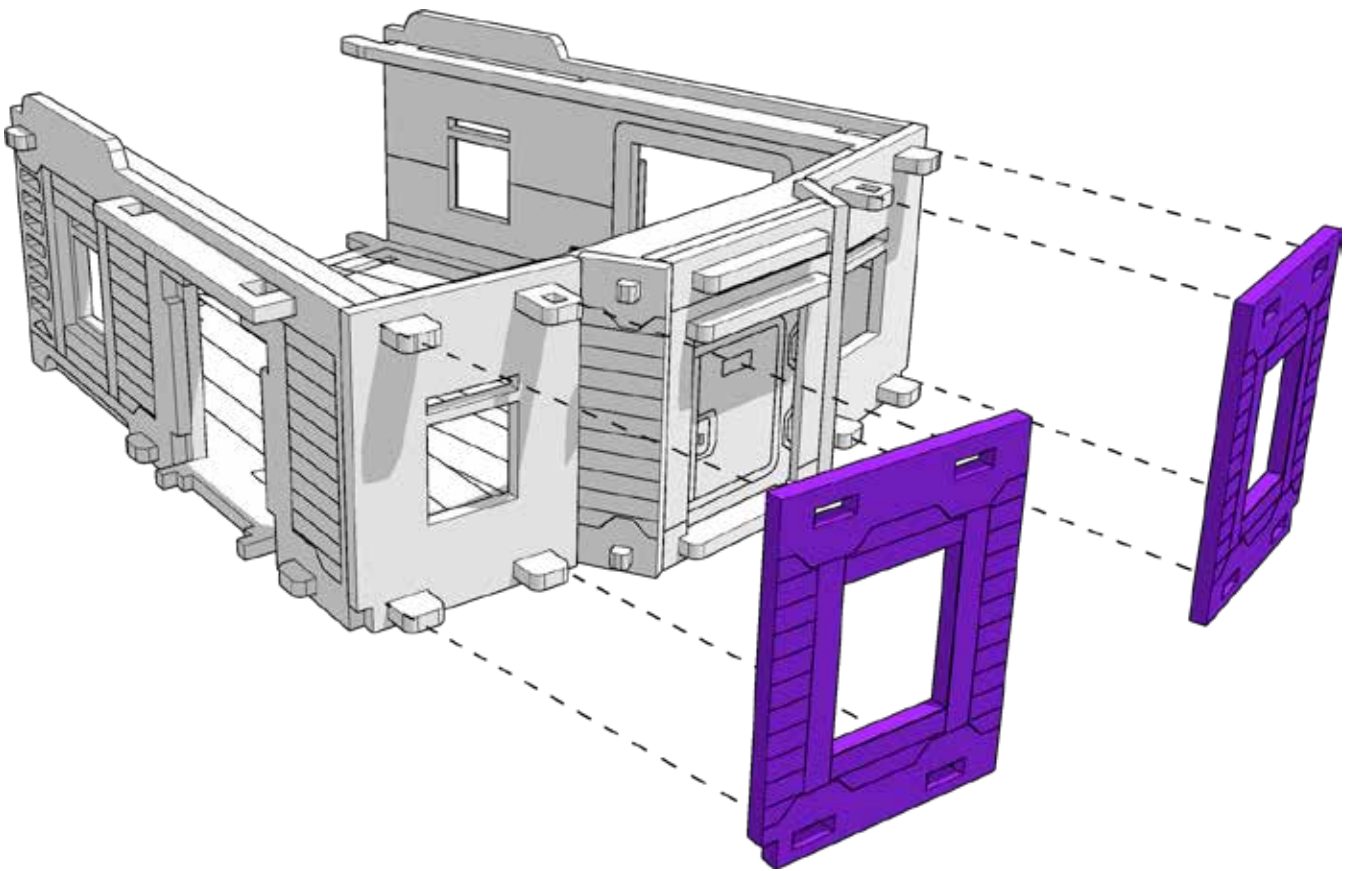




TABLETOP SCENICS

TTSCW-SFU-129
Cashstacks: Demi Block

11

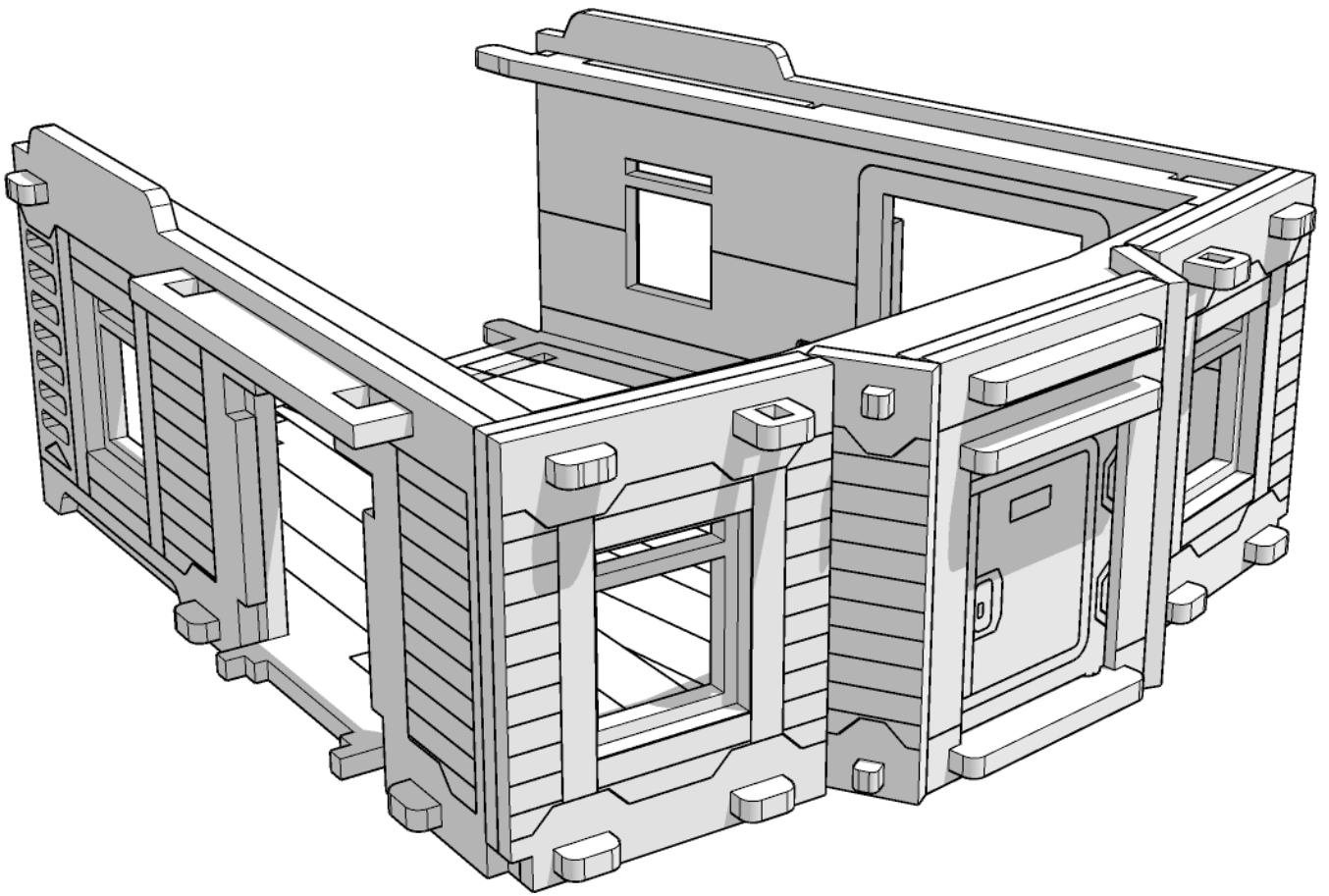




TABLETOP SCENICS

TTSCW-SFU-129
Cashstacks: Demi Block

12

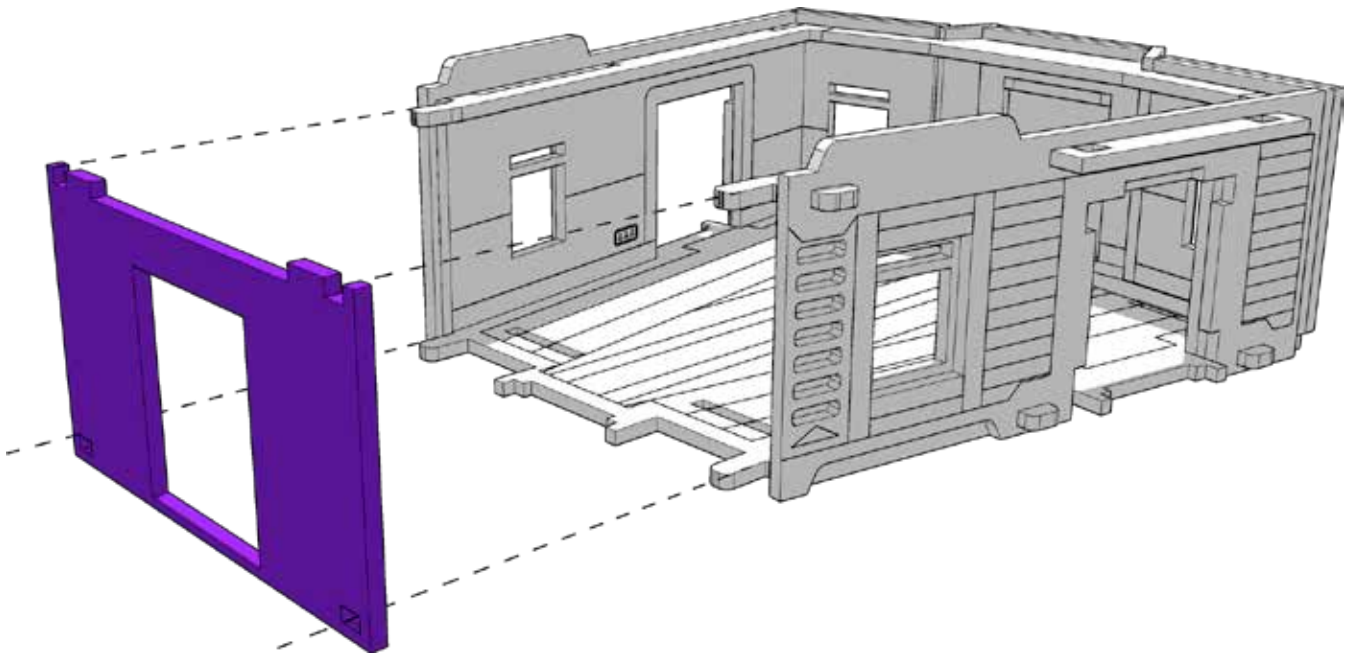




TABLETOP SCENICS

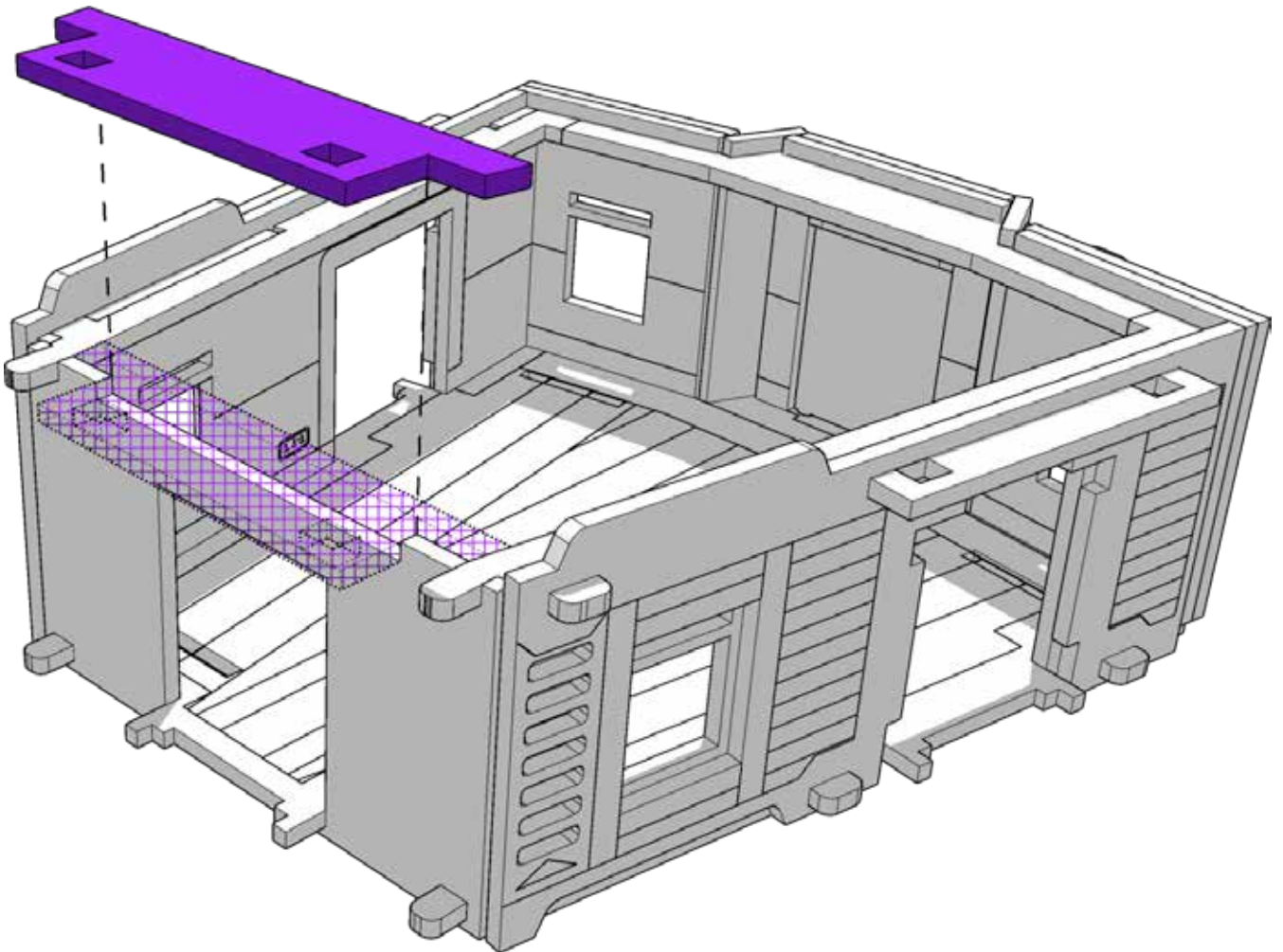
TTSCW-SFU-129
Cashstacks: Demi Block

13





14

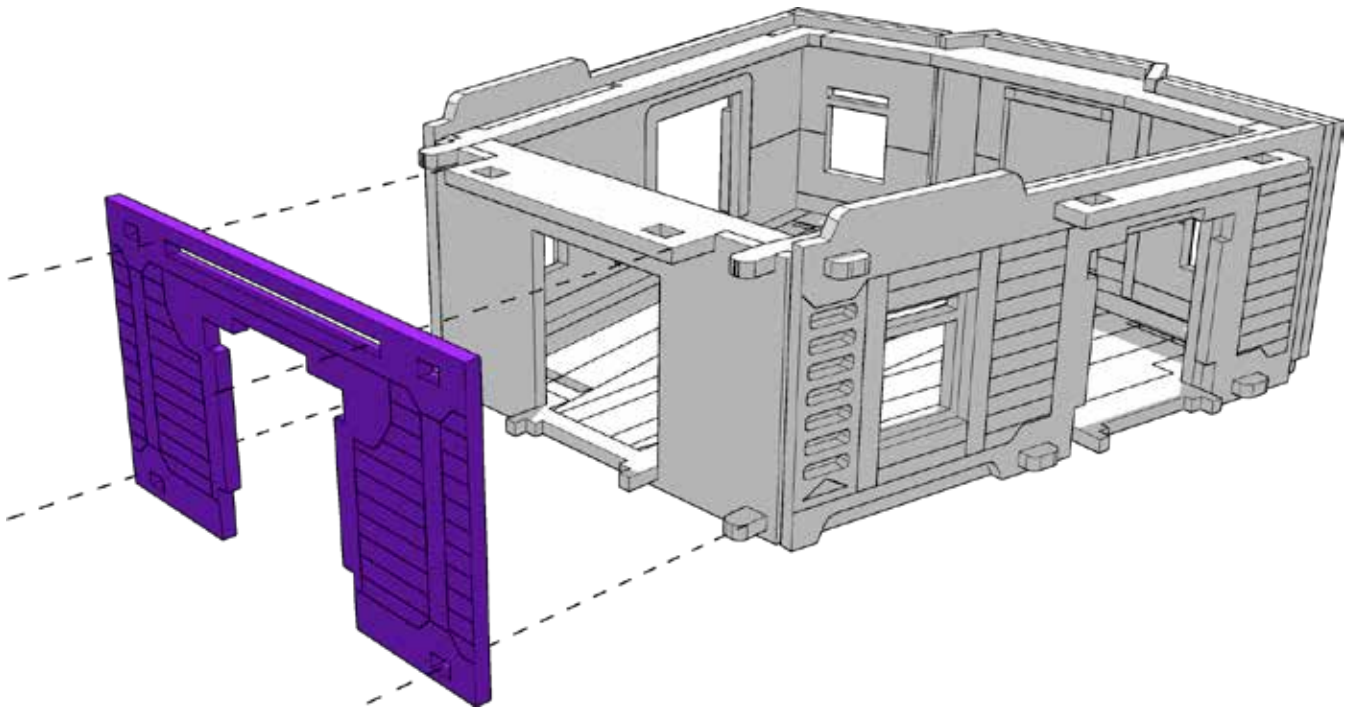




TABLETOP SCENICS

TTSCW-SFU-129
Cashstacks: Demi Block

15

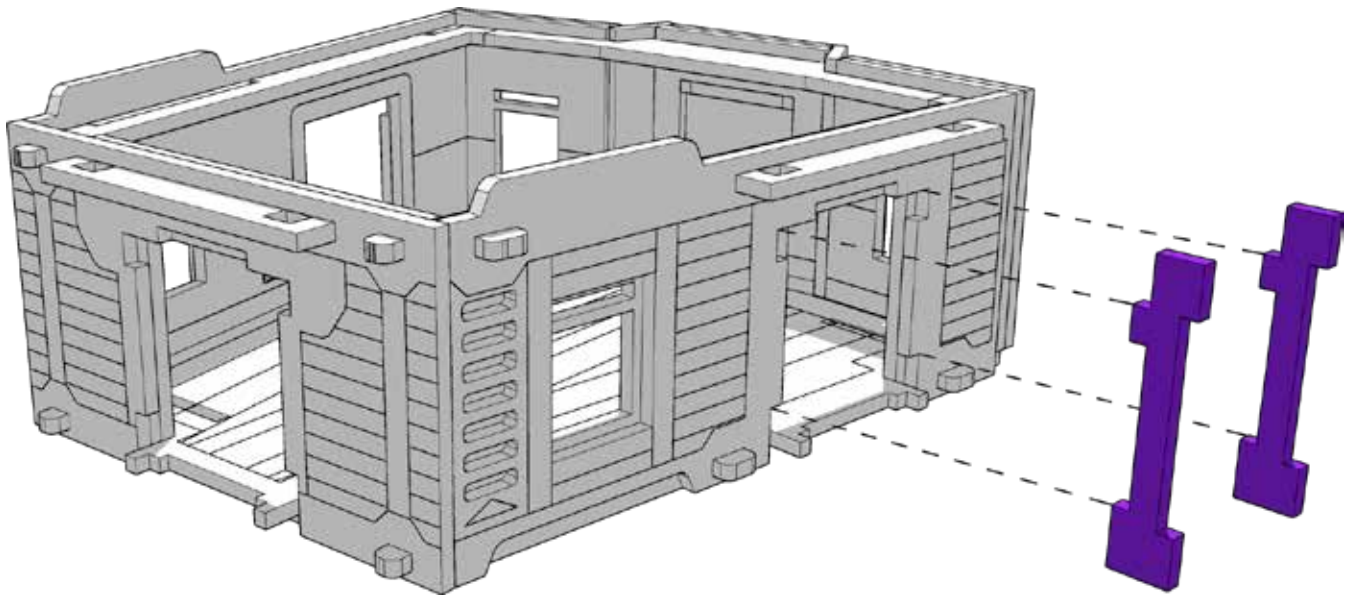




TABLETOP SCENICS

TTSCW-SFU-129
Cashstacks: Demi Block

16

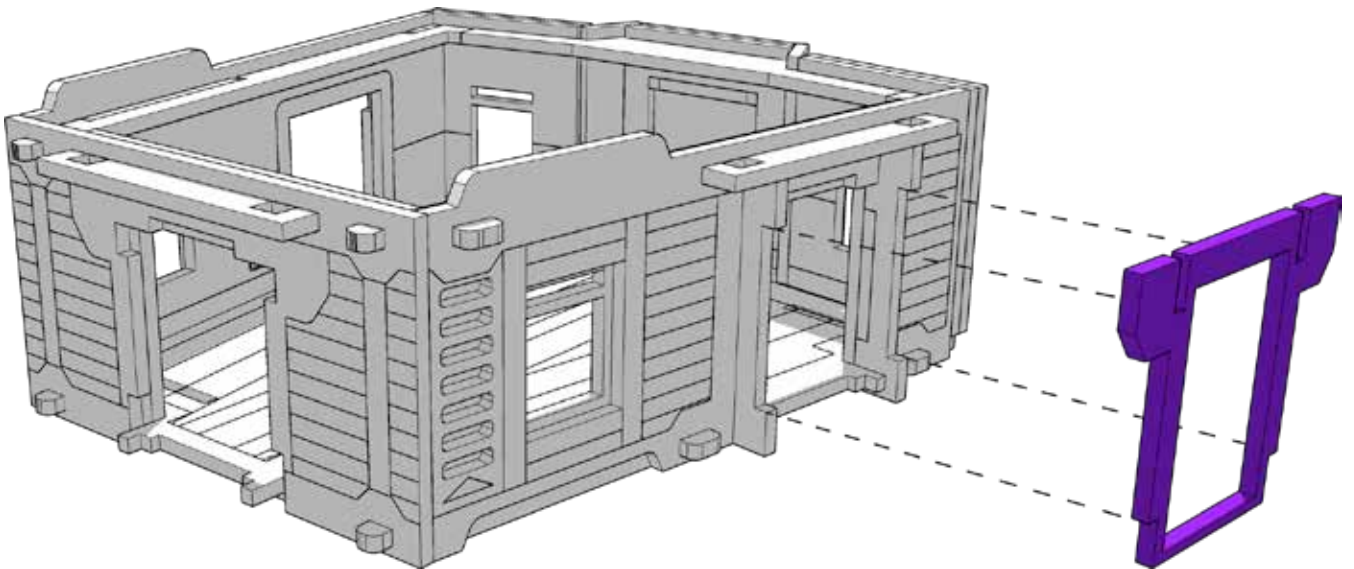




TABLETOP SCENICS

TTSCW-SFU-129
Cashstacks: Demi Block

17

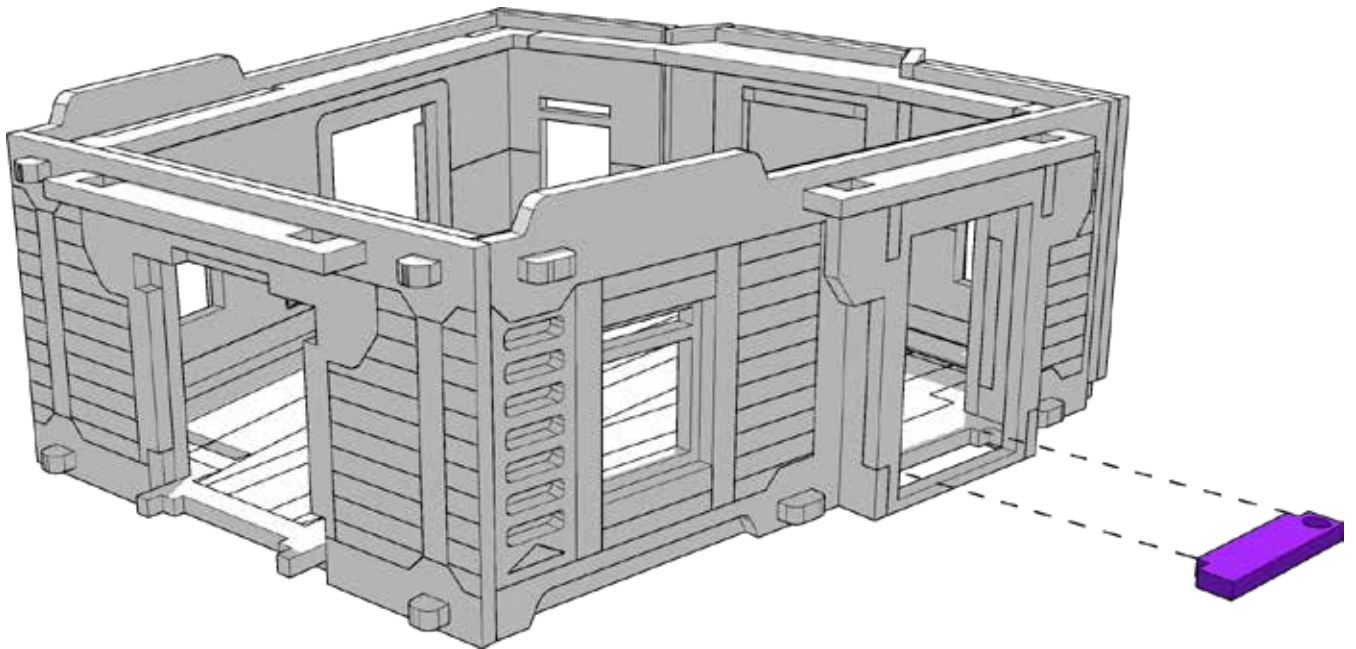




TABLETOP SCENICS

TTSCW-SFU-129
Cashstacks: Demi Block

18

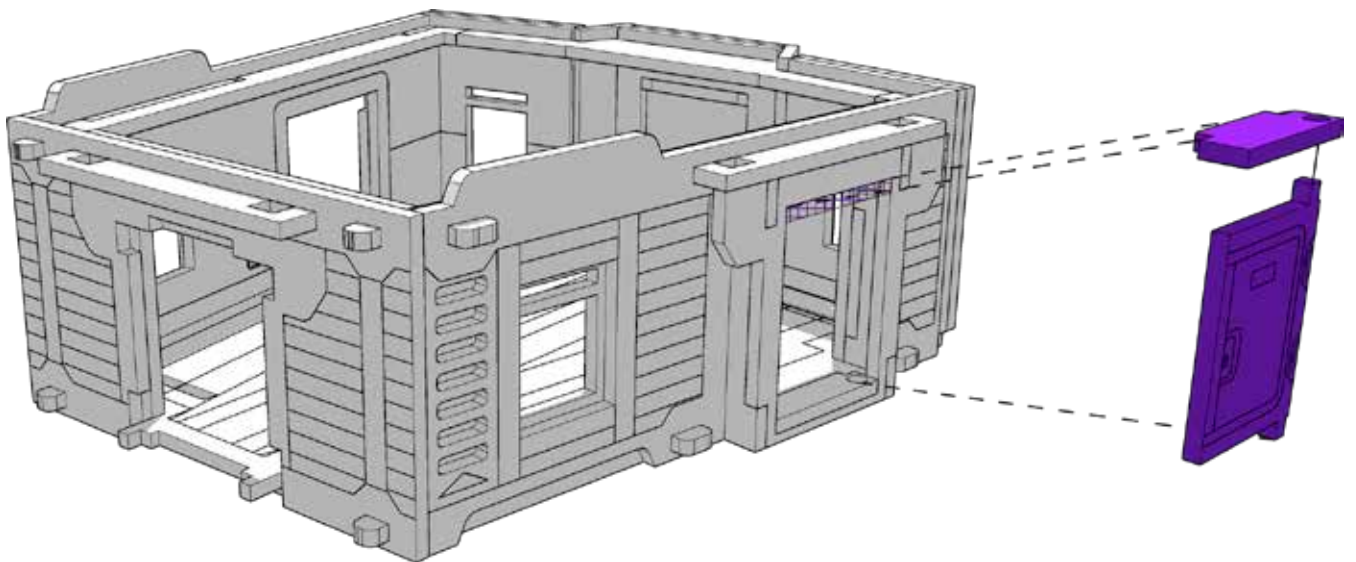




TABLETOP SCENICS

TTSCW-SFU-129
Cashstacks: Demi Block

19



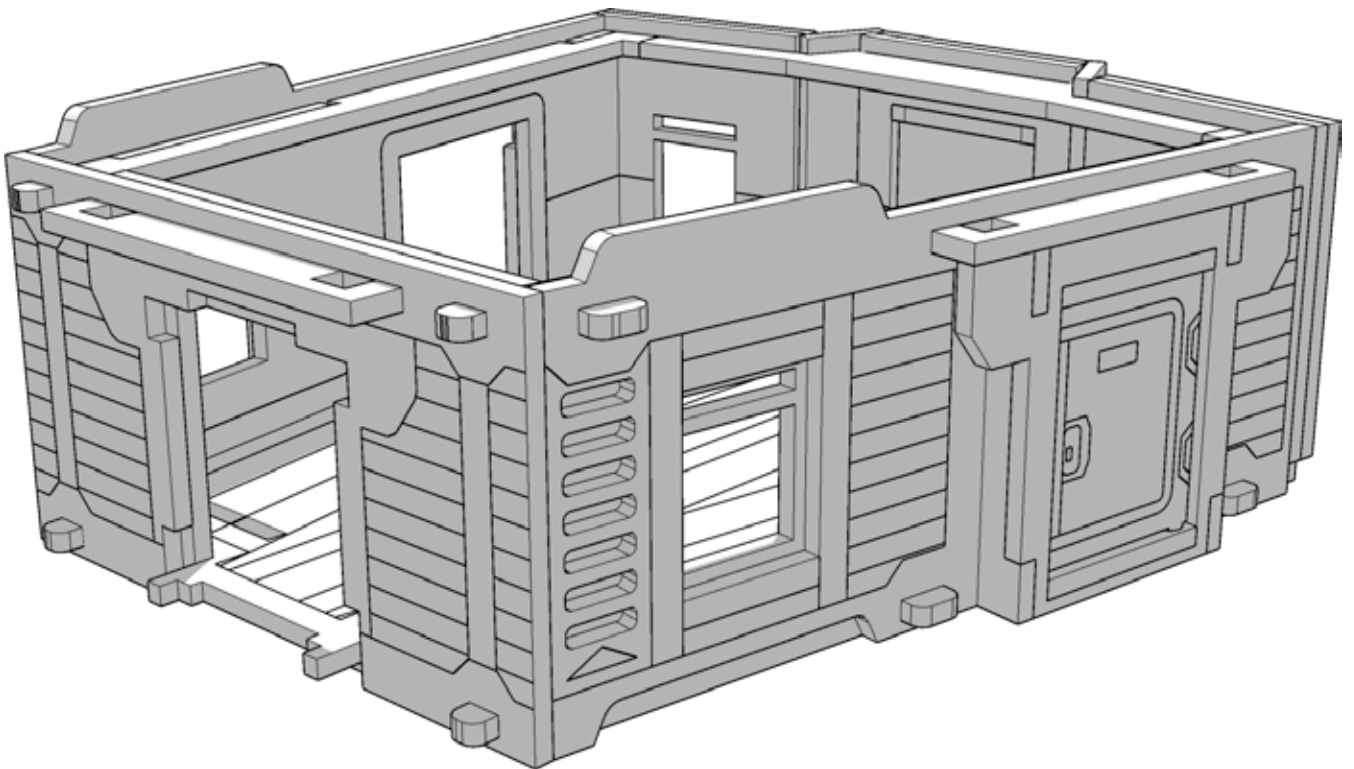
DO NOT GLUE the door in place.
It sits freely in the two holes



TABLETOP SCENICS

20

TTSCW-SFU-129
Cashstacks: Demi Block

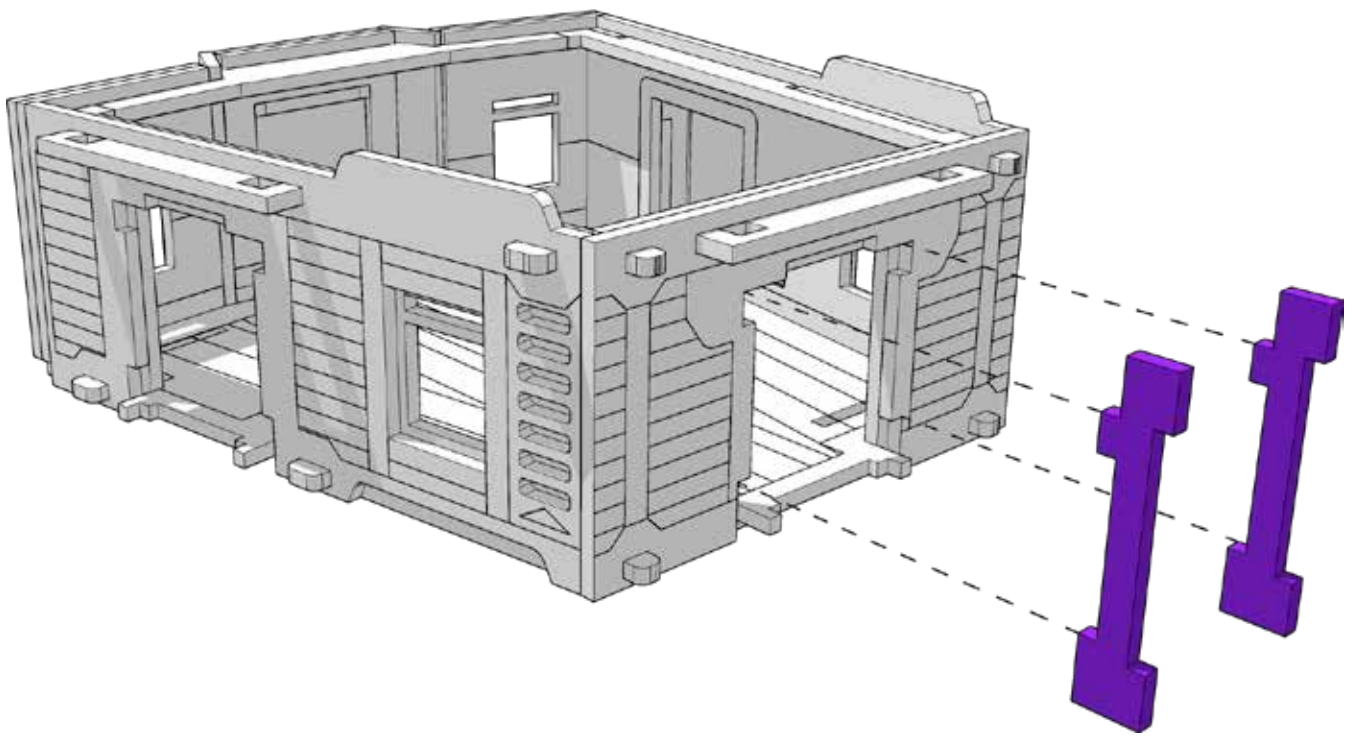




TABLETOP SCENICS

TTSCW-SFU-129
Cashstacks: Demi Block

21

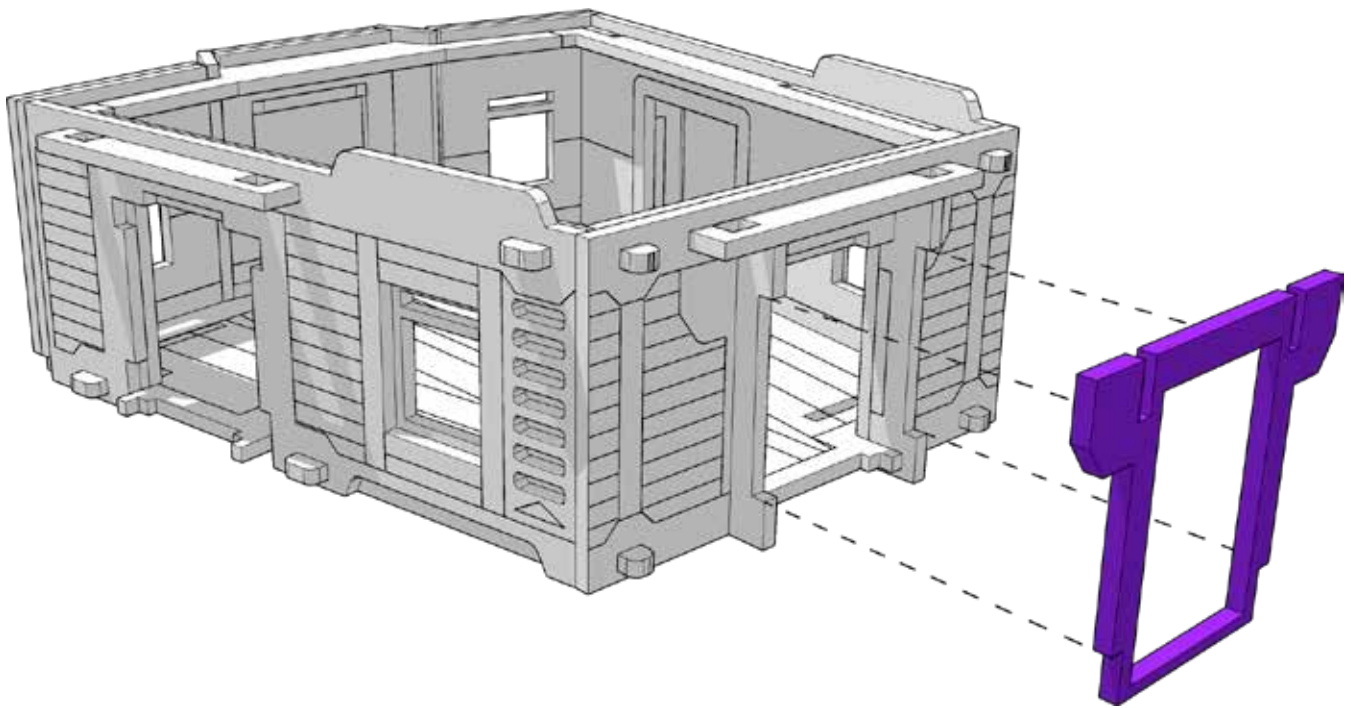




TABLETOP SCENICS

TTSCW-SFU-129
Cashstacks: Demi Block

22

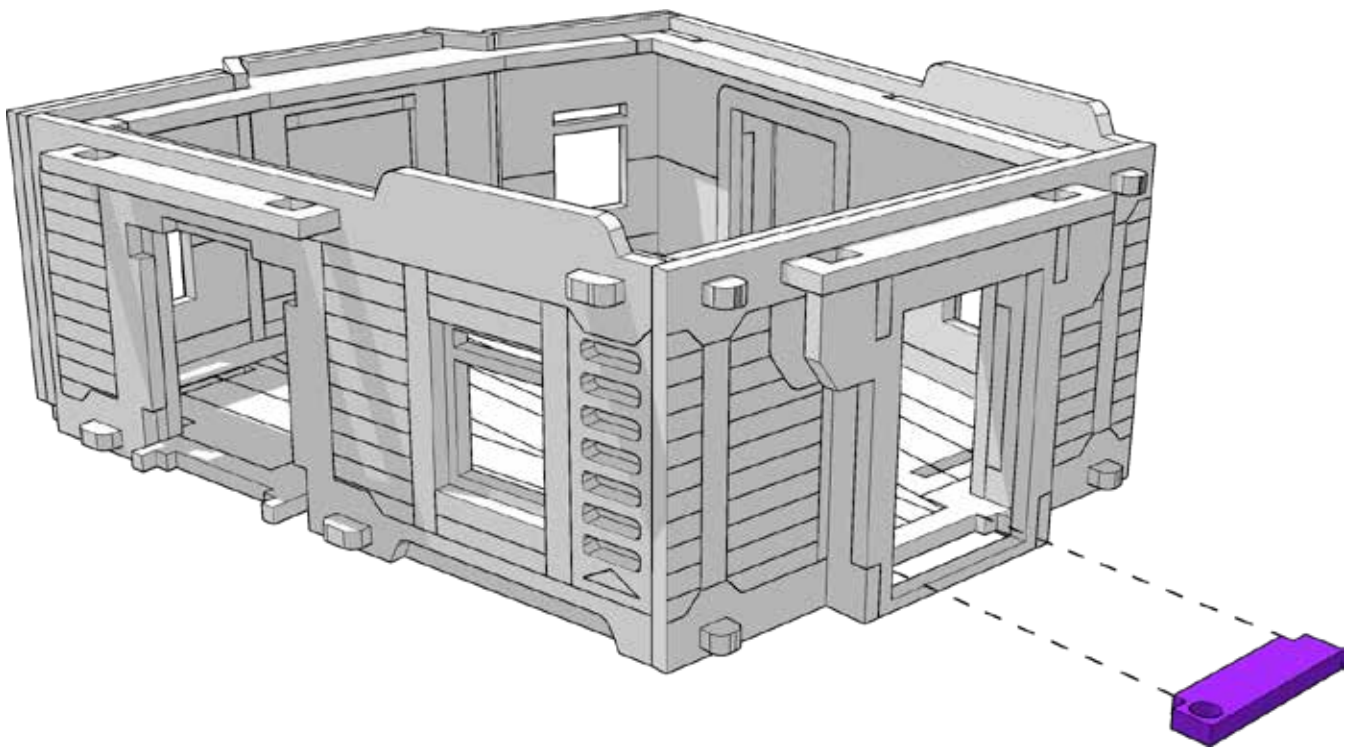




TABLETOP SCENICS

TTSCW-SFU-129
Cashstacks: Demi Block

23

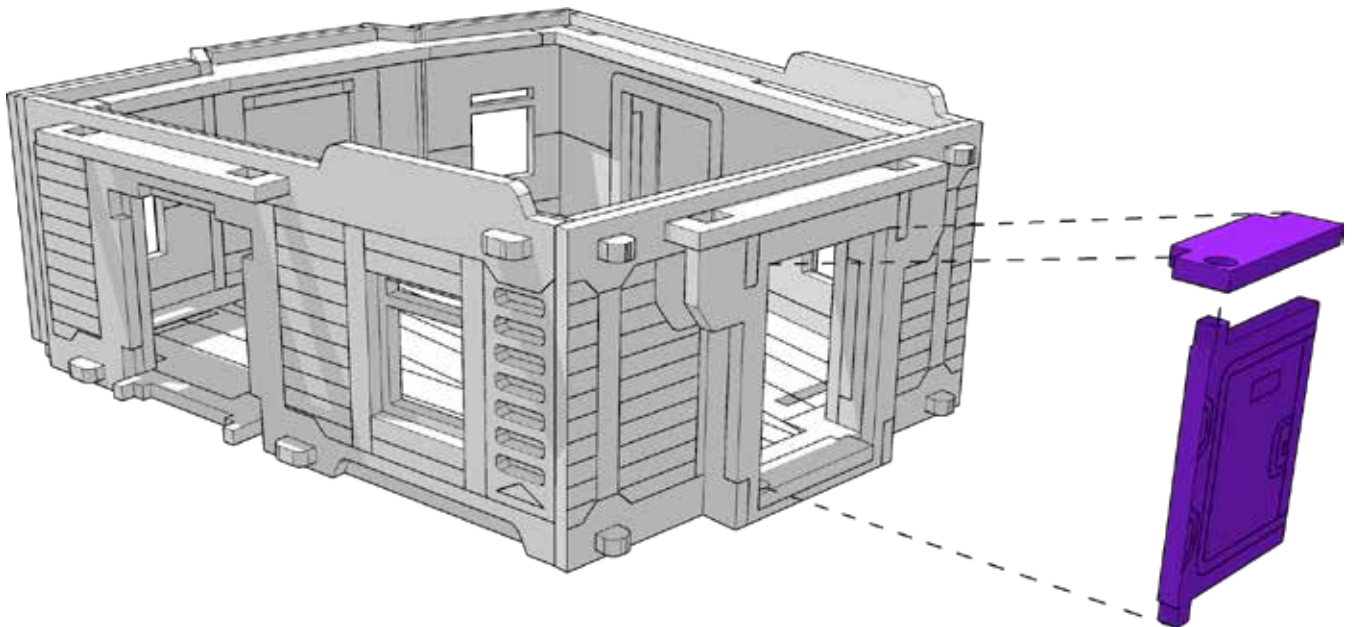




TABLETOP SCENICS

TTSCW-SFU-129
Cashstacks: Demi Block

24



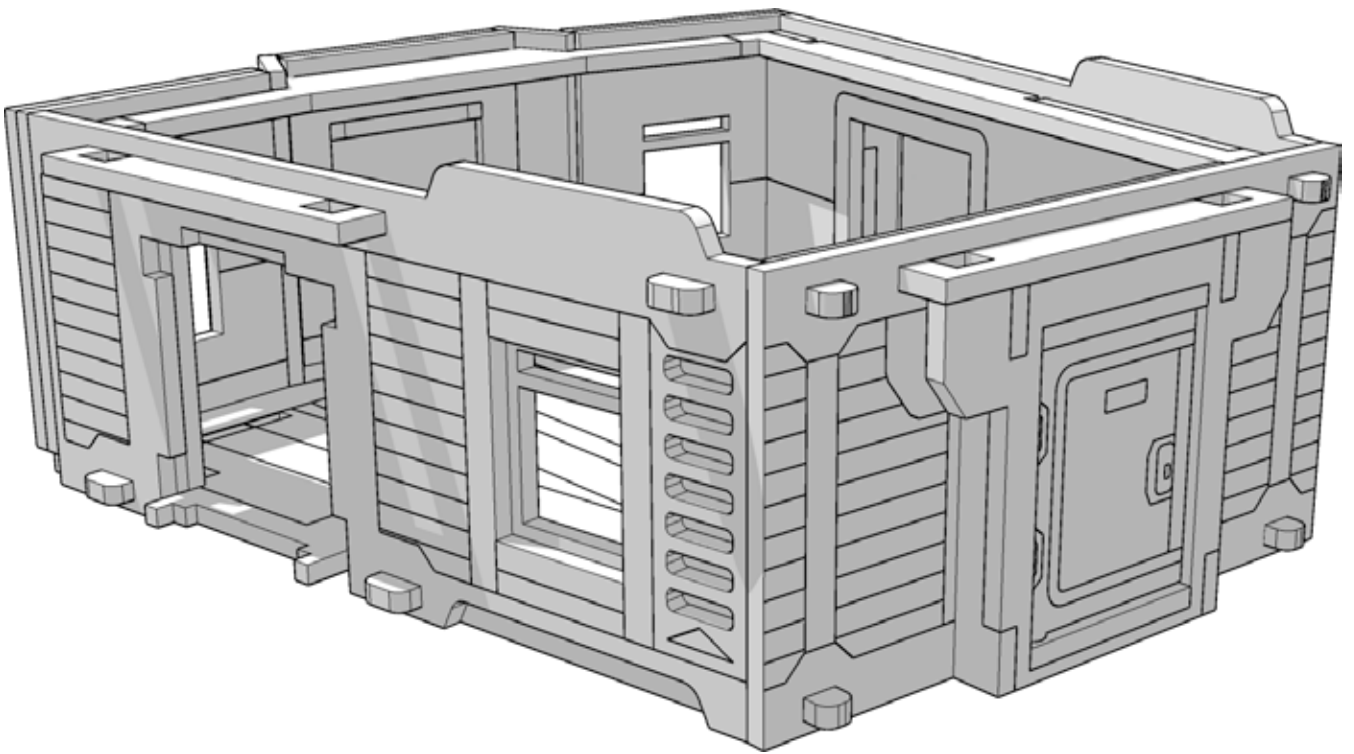
DO NOT GLUE the door in place.
It sits freely in the two holes



TABLETOP SCENICS

TTSCW-SFU-129
Cashstacks: Demi Block

25

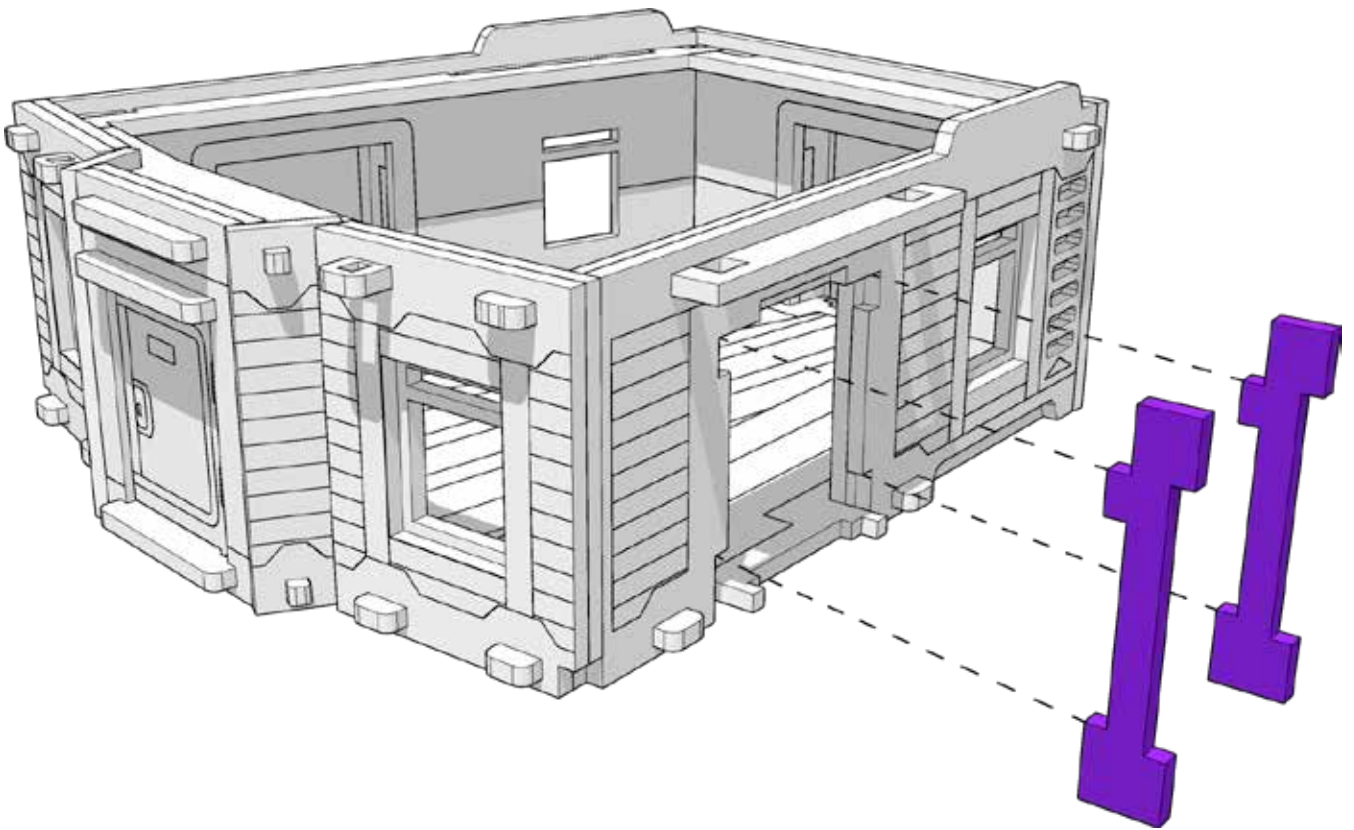




TABLETOP SCENICS

TTSCW-SFU-129
Cashstacks: Demi Block

26

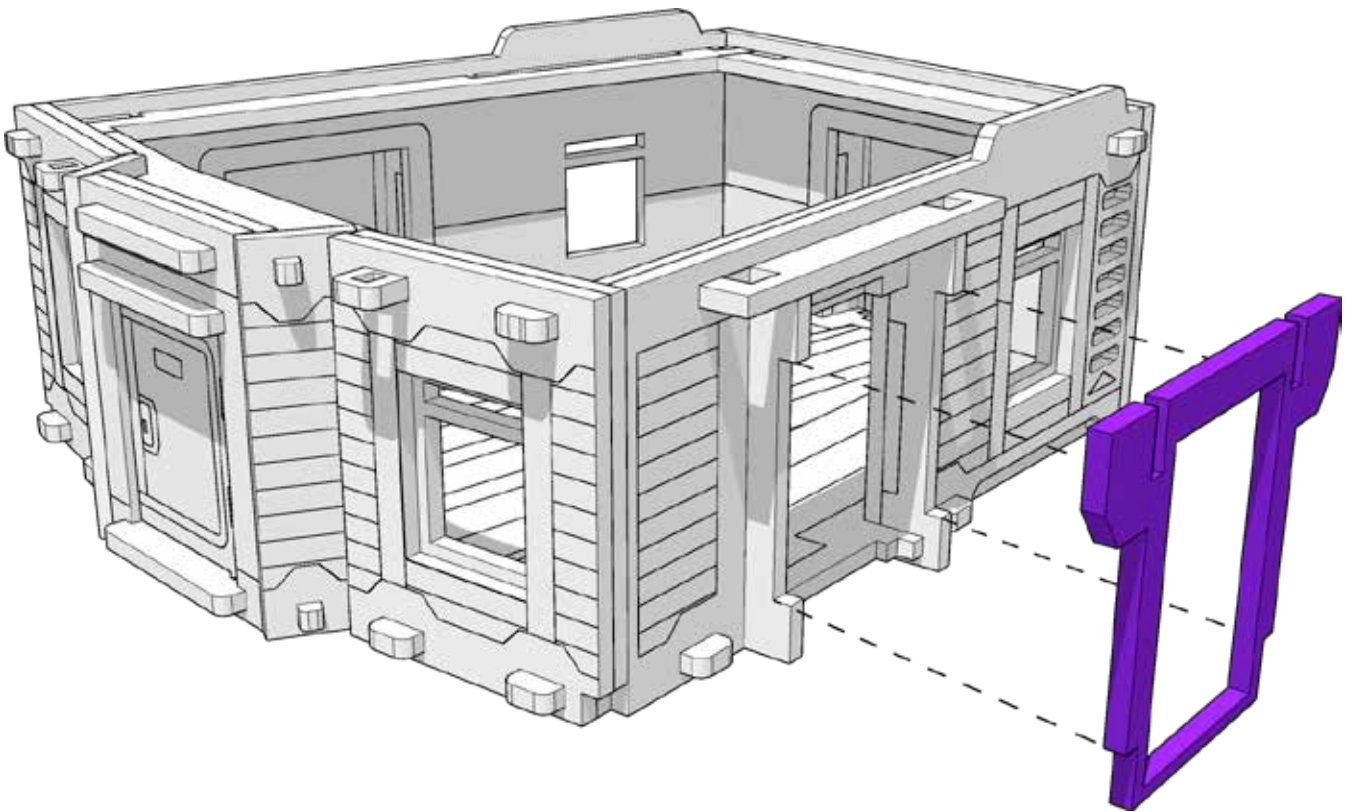




TABLETOP SCENICS

TTSCW-SFU-129
Cashstacks: Demi Block

27

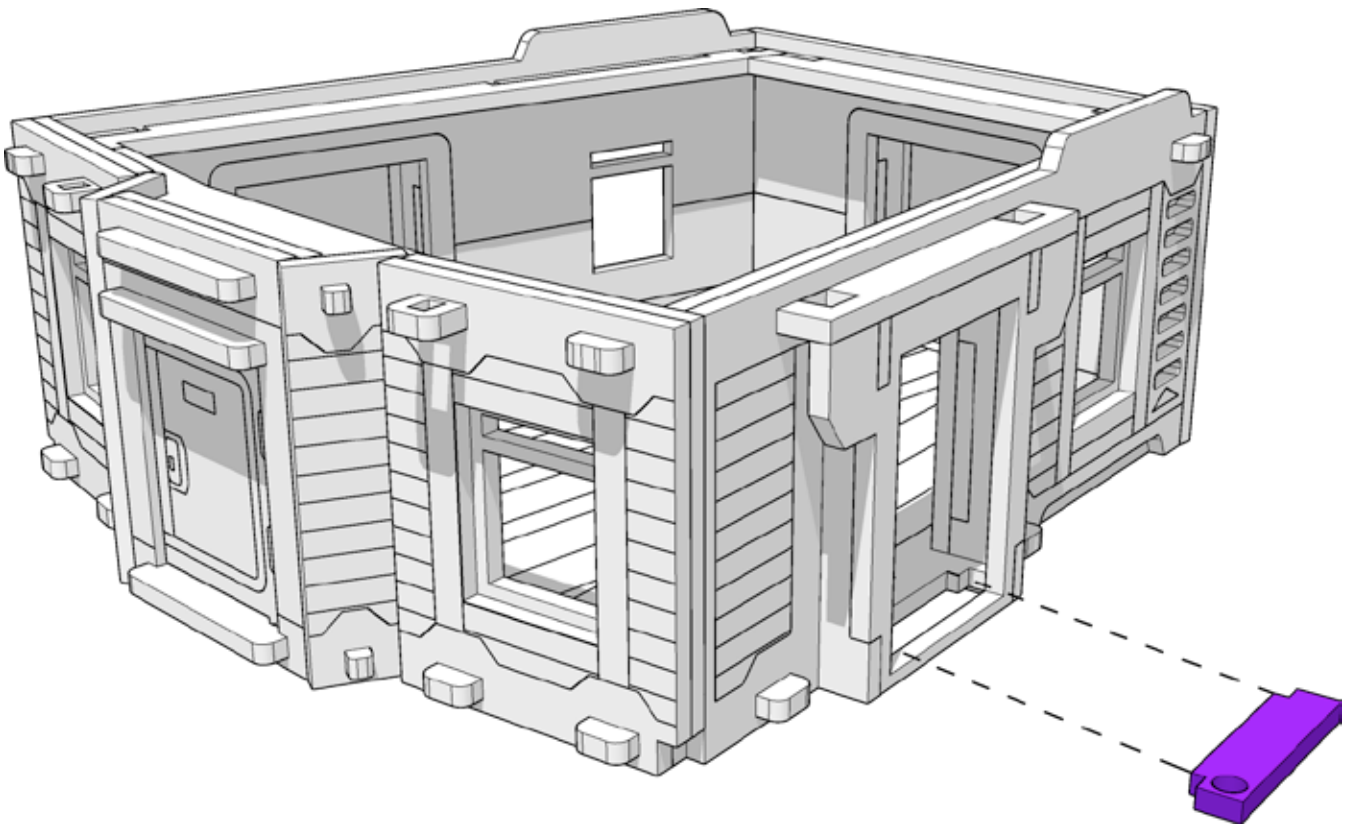




TABLETOP SCENICS

TTSCW-SFU-129
Cashstacks: Demi Block

28

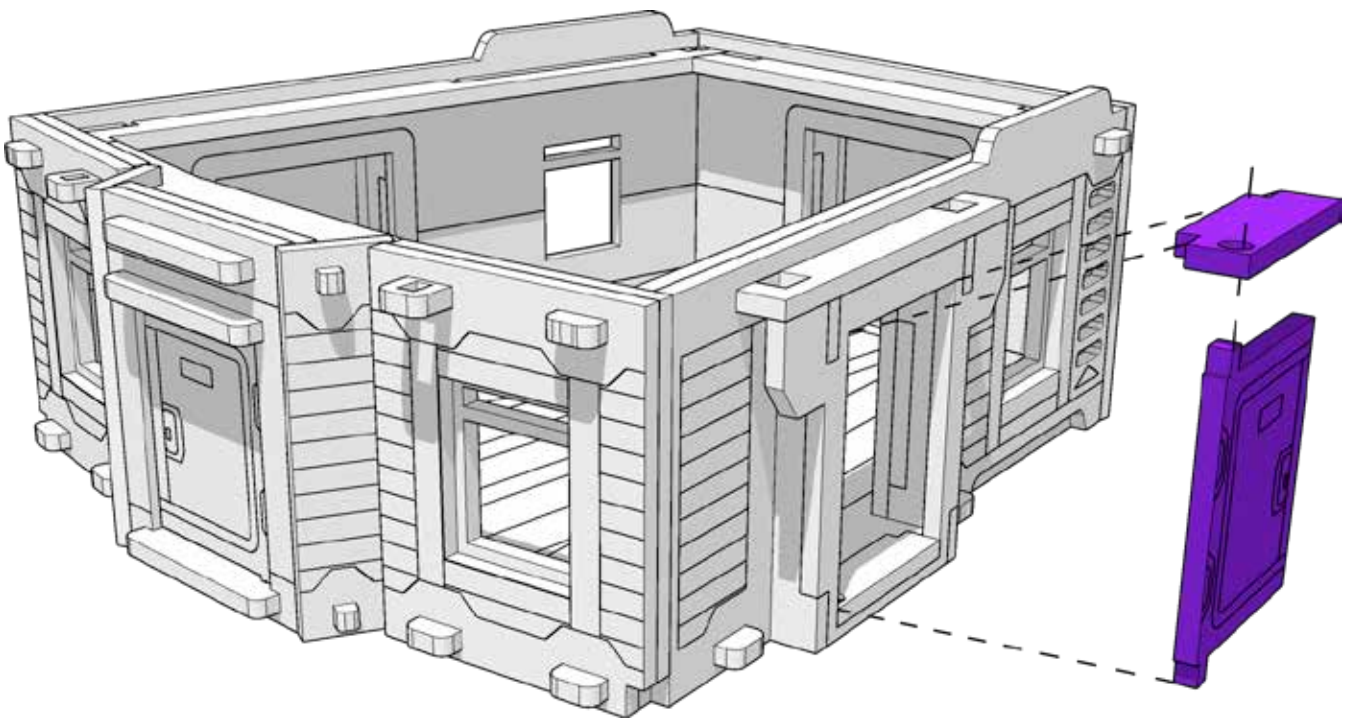




TABLETOP SCENICS

TTSCW-SFU-129
Cashstacks: Demi Block

29



DO NOT GLUE the door in place.
It sits freely in the two holes

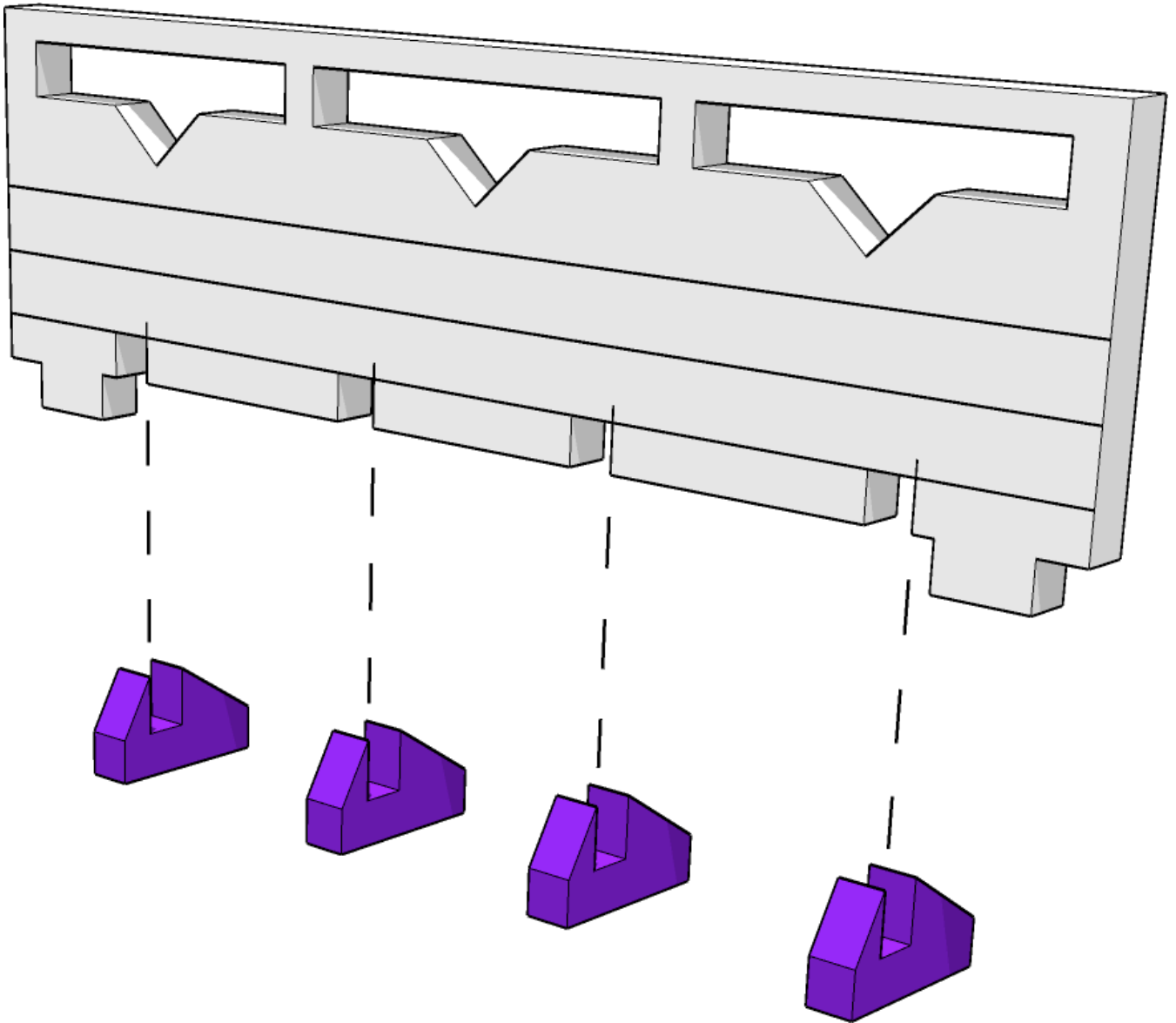




TABLETOP SCENICS

TTSCW-SFU-129
Cashstacks: Demi Block

30

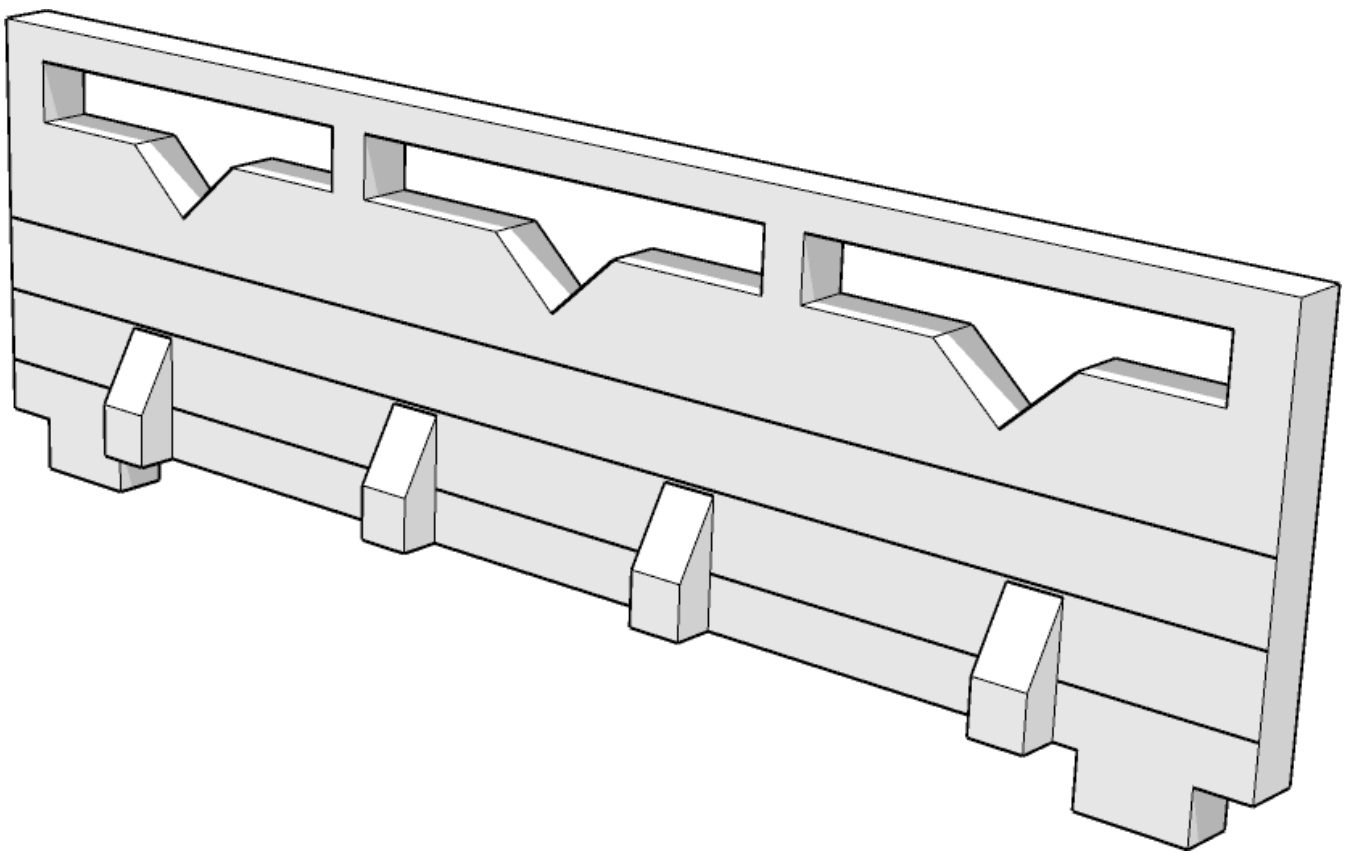




TABLETOP SCENICS

TTSCW-SFU-129
Cashstacks: Demi Block

31



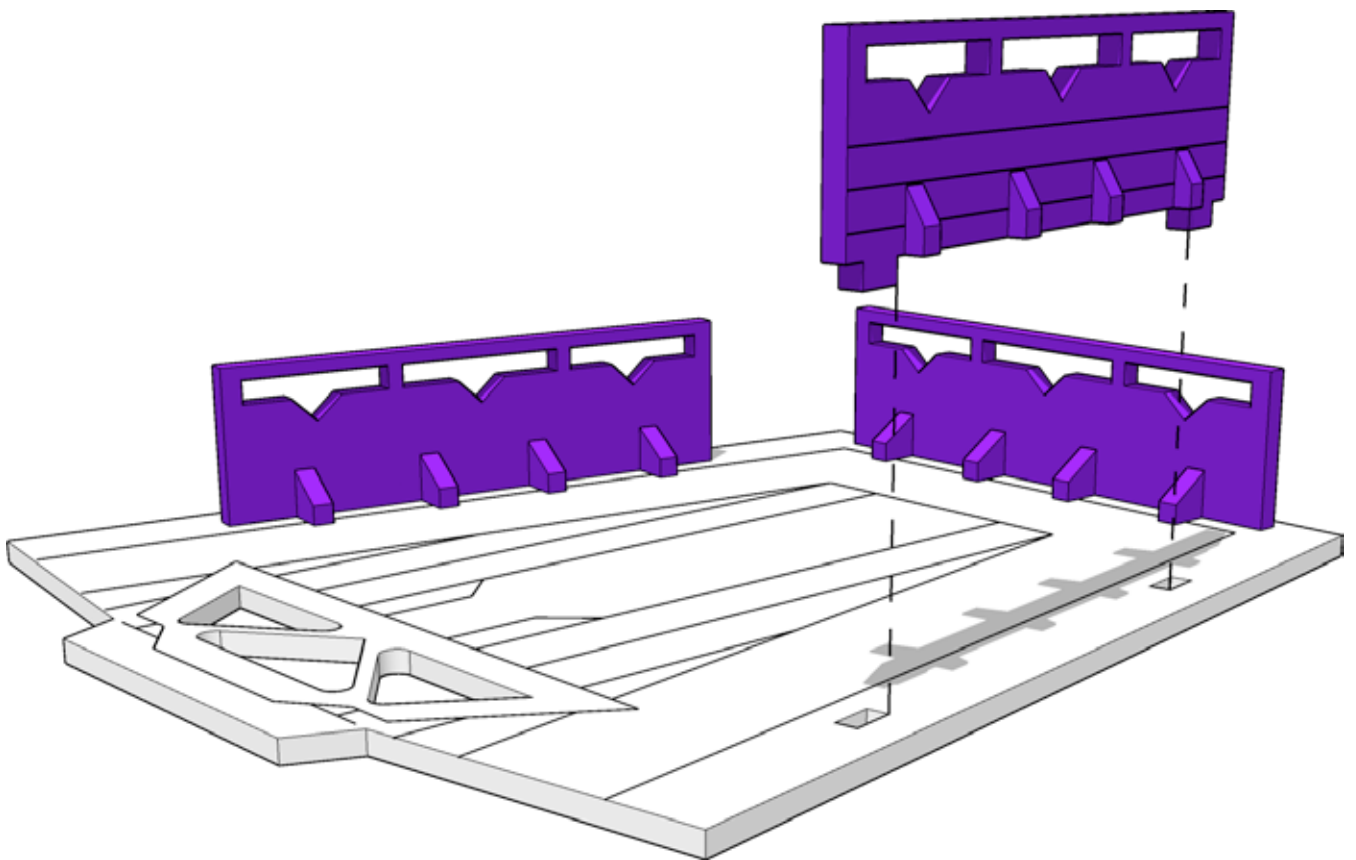
x3



TABLETOP SCENICS

TTSCW-SFU-129
Cashstacks: Demi Block

32

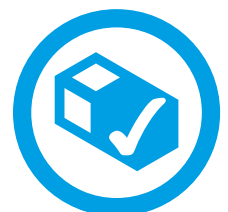
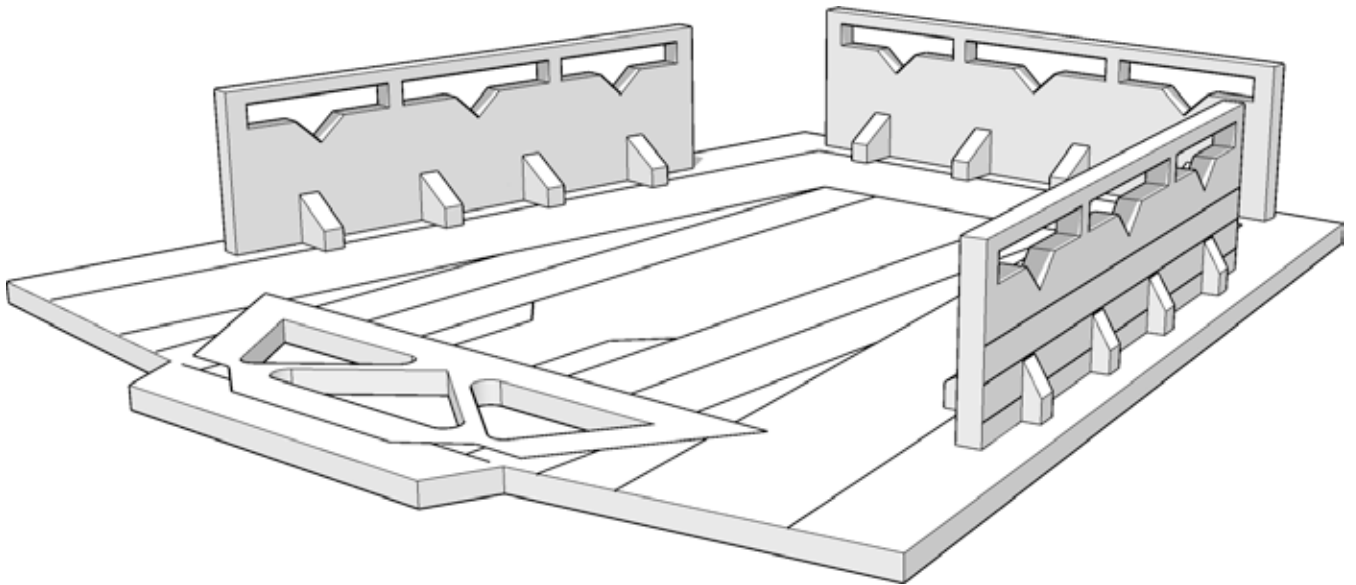




TABLETOP SCENICS

TTSCW-SFU-129
Cashstacks: Demi Block

33

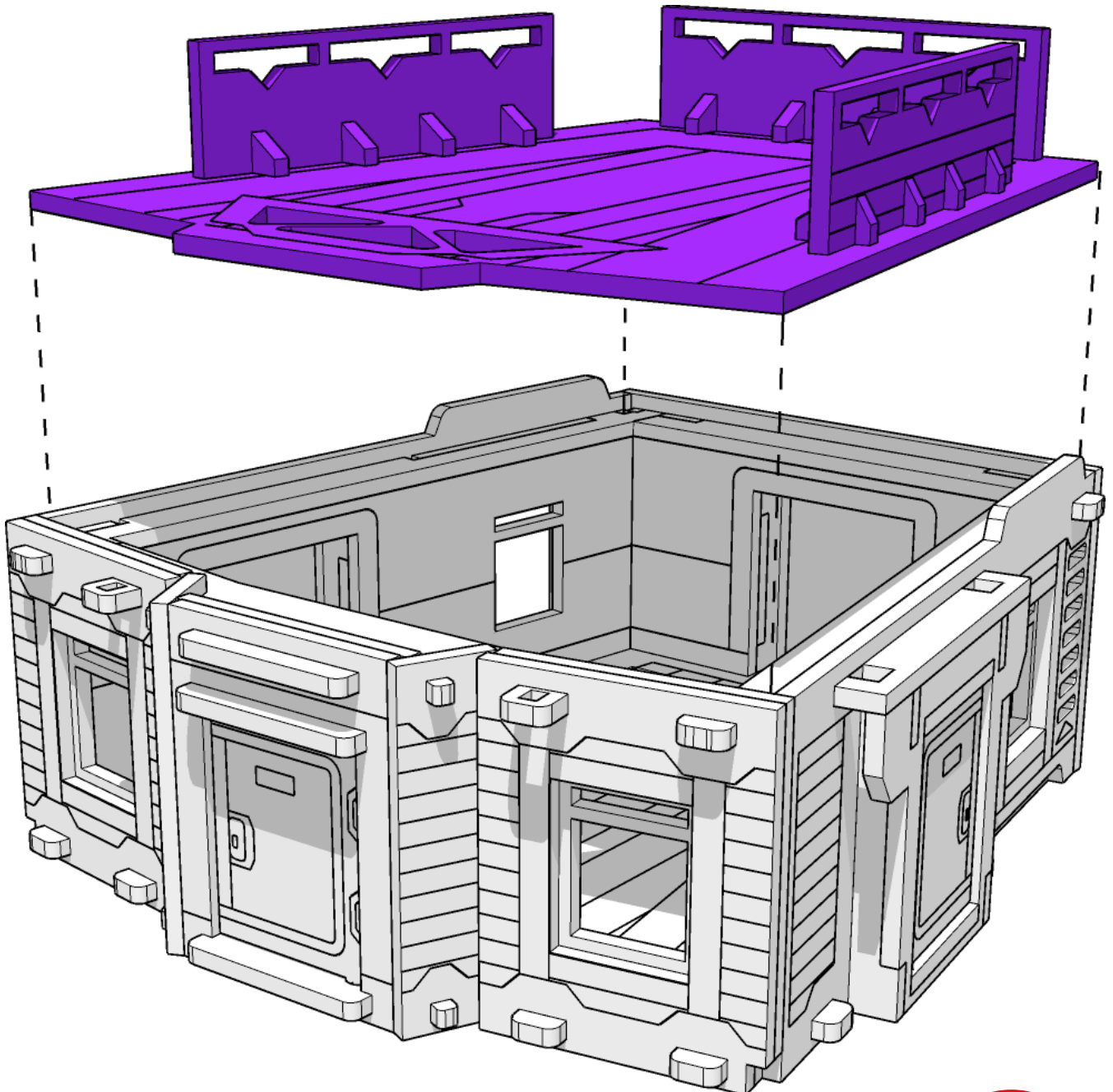




TABLETOP SCENICS

TTSCW-SFU-129
Cashstacks: Demi Block

34

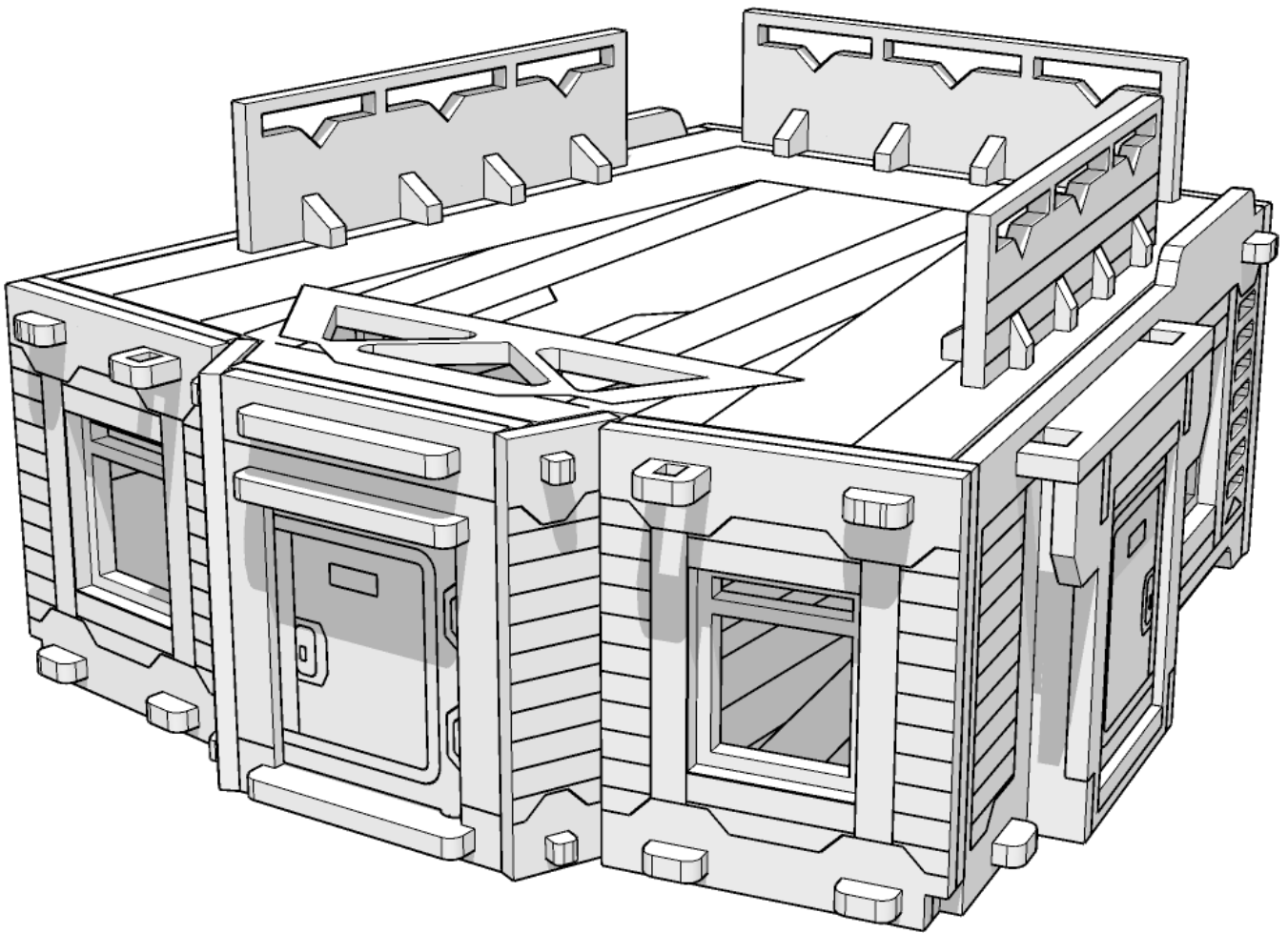




TABLETOP SCENICS

TTSCW-SFU-129
Cashstacks: Demi Block

35



x2



TABLETOP SCENICS

TTSCW-SFU-129
Cashstacks: Demi Block

36

