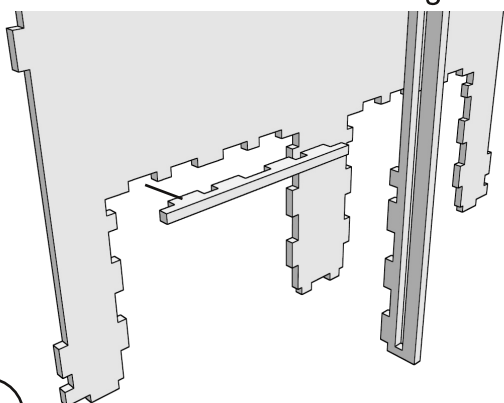
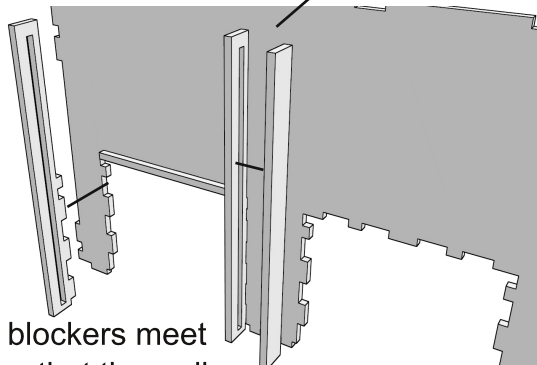


1 Start by constructing the garage door frame on the inside of the long walls

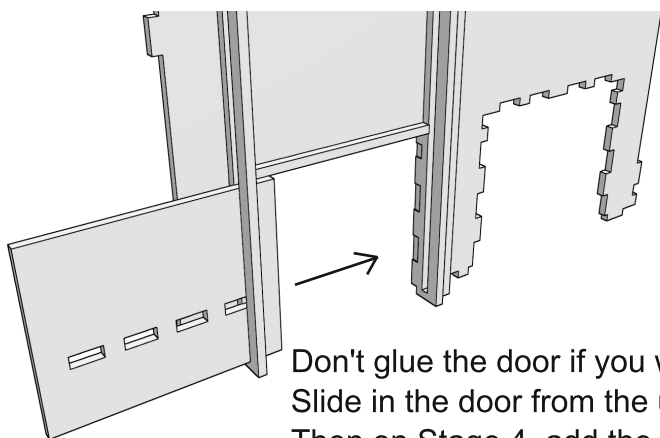


2



Ensure the blockers meet at the top, so that the walls will fit into the floor section

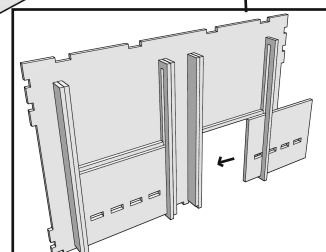
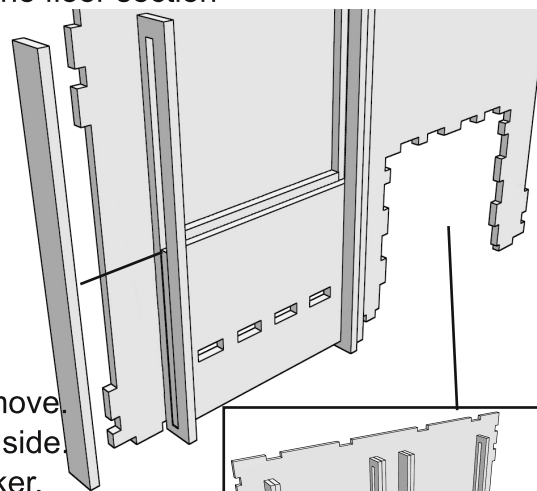
3



Don't glue the door if you want it to move. Slide in the door from the unblocked side. Then on Stage 4, add the other blocker. Repeat this process for all Garage doors.

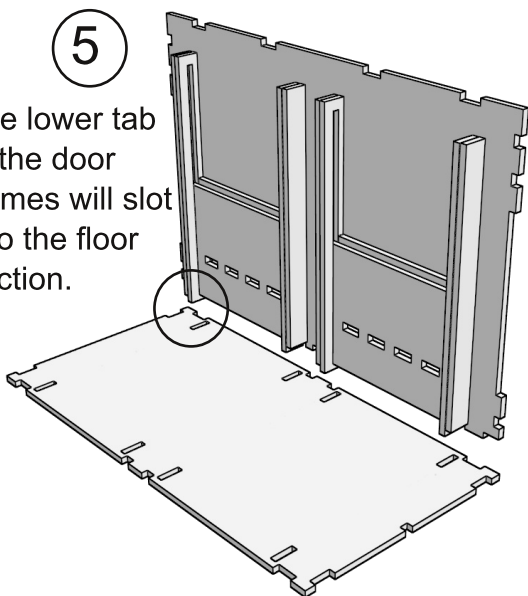
Make sure you leave the blocker on the far side to last, so that you are able to slide in the door. Be careful not to glue the doors.

4



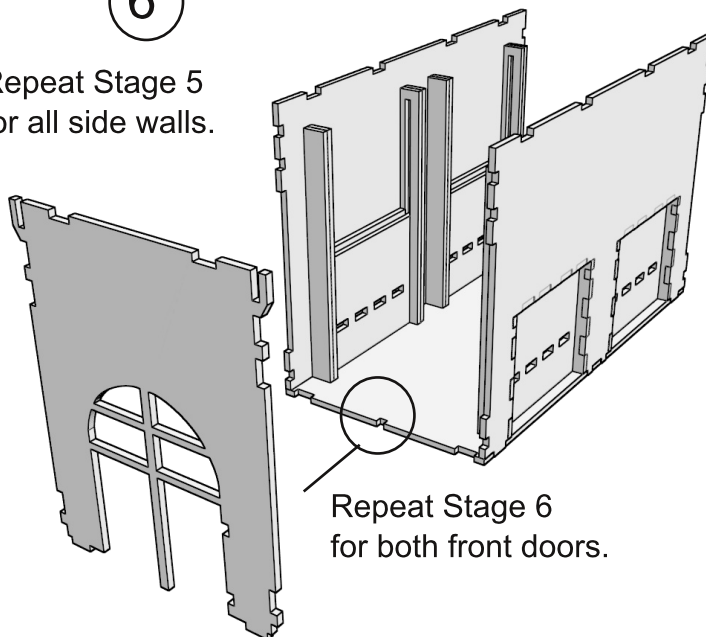
5

The lower tab of the door frames will slot into the floor section.



6

Repeat Stage 5 for all side walls.

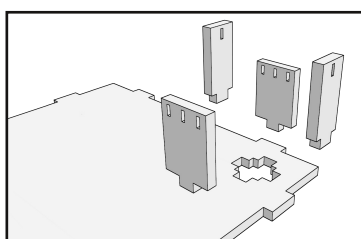
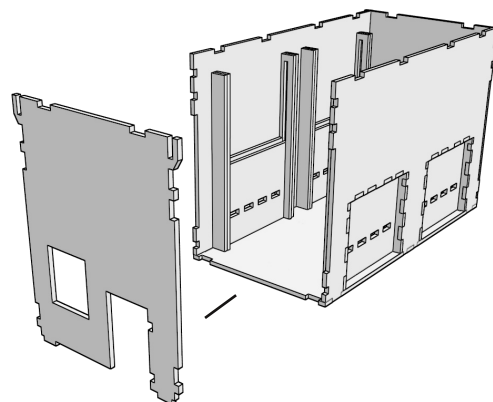
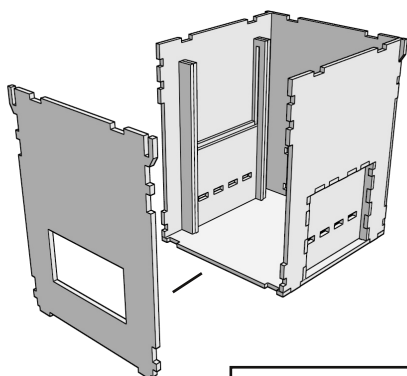


Repeat Stage 6 for both front doors.

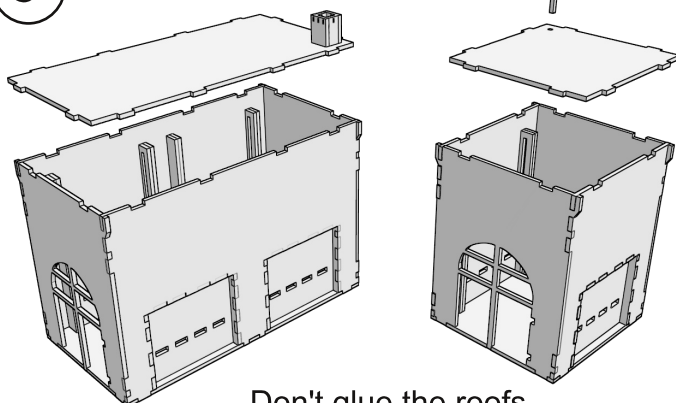
Warning : This product is not a toy. Contains small parts. Not suitable for children under 14 years

Items in this pack are copyright TTCOMBAT

7

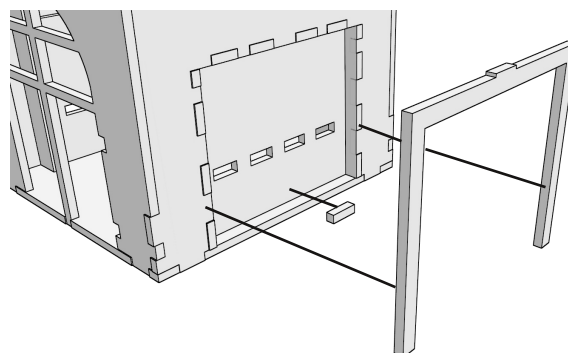


8



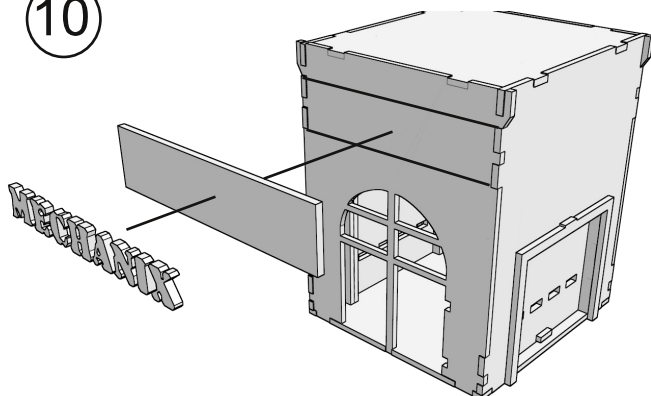
Don't glue the roofs.
Use the chimneys
as handles to open.

9



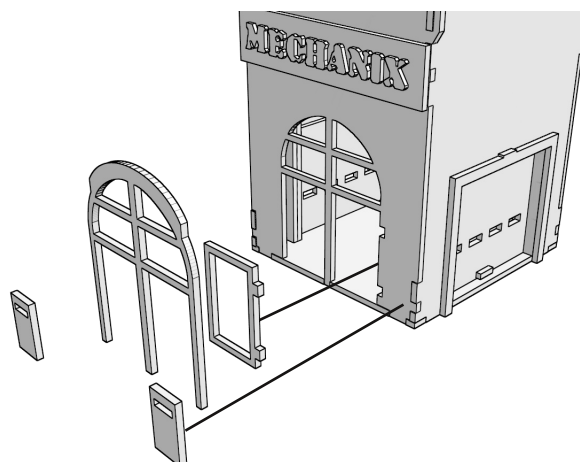
Repeat Stage 9 for all Garage door frames and handles. There is a guideline box for the handles. Use the handles to open the doors.

10



11

There are guidelines for the bins.

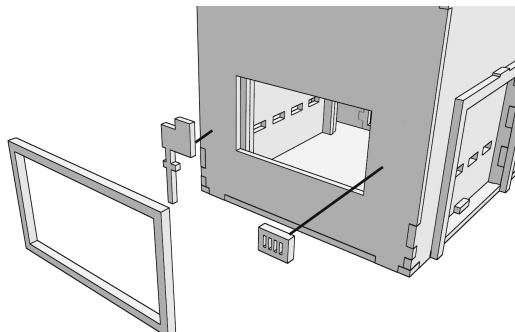


Warning : This product is not a toy.
Contains small parts. Not suitable for
children under 14 years

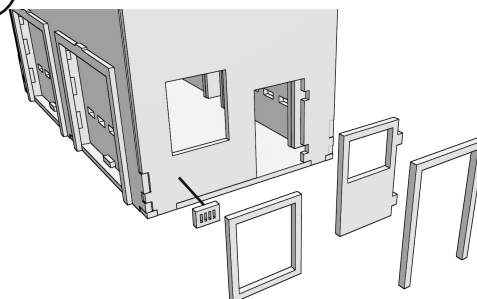
Items in this pack are copyright TTCombat

There are guidelines for the vents and gas meter box.

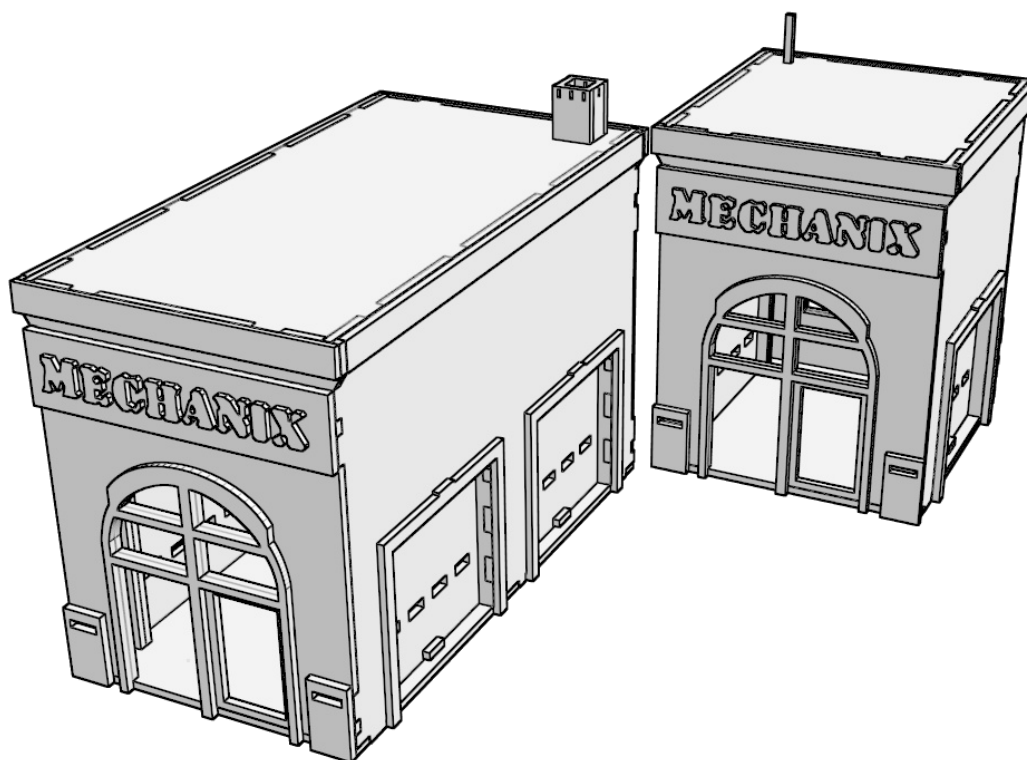
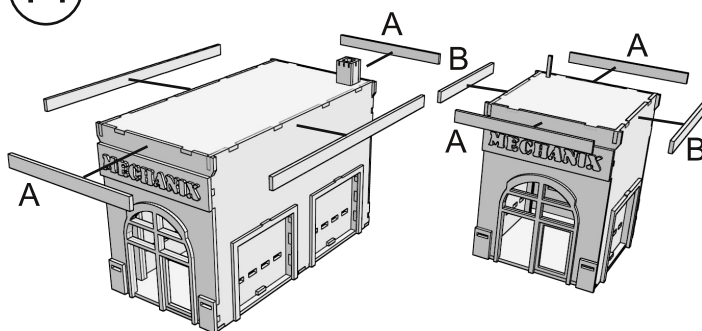
12



13



14



Warning : This product is not a toy.
Contains small parts. Not suitable for
children under 14 years

Items in this pack are copyright TTCombat