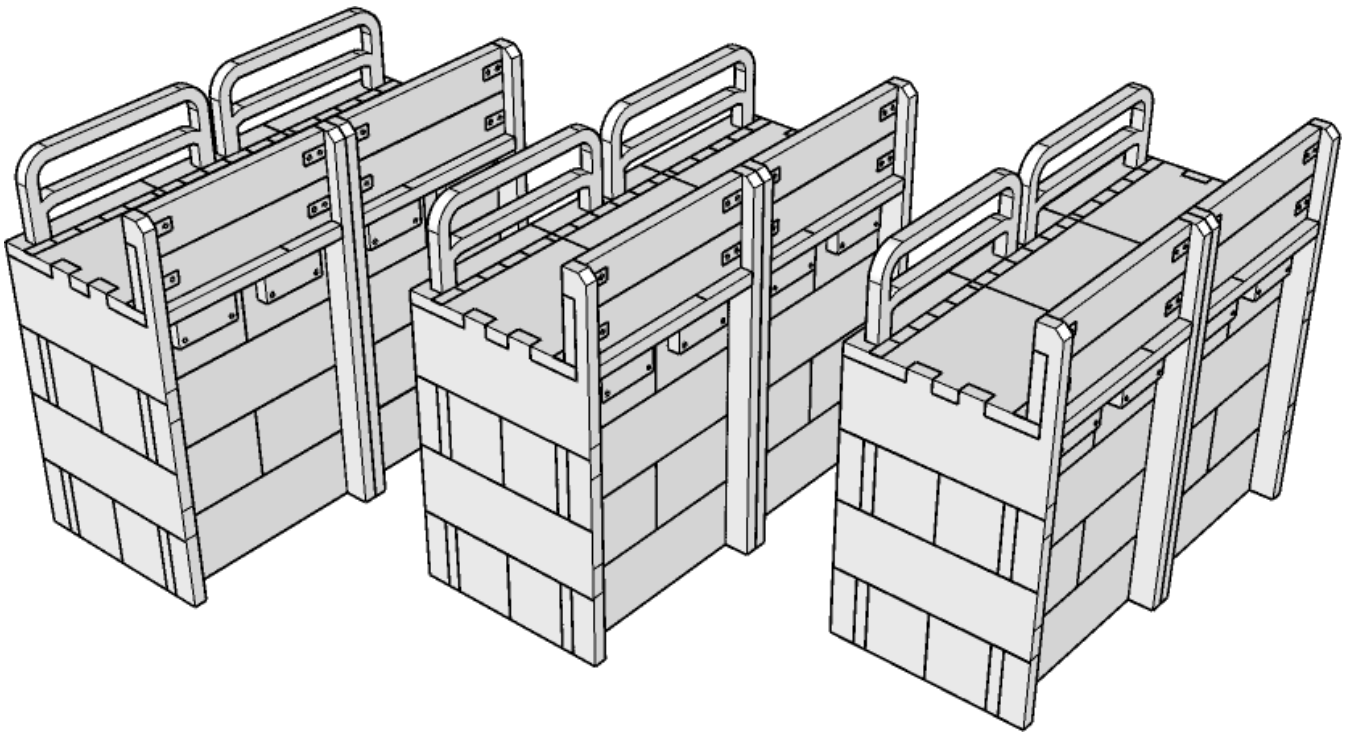




**TABLETOP
SCENICS**

**TTSCW-DCS-159
PCPD: Wall Sections**

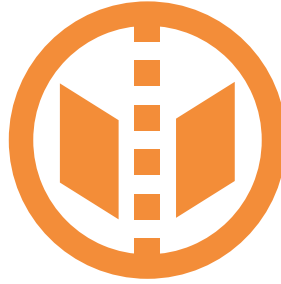




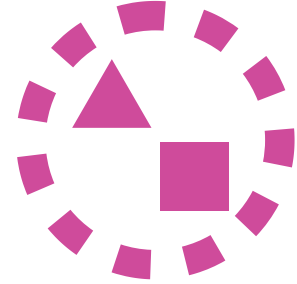
These are a series of icons that may be used throughout the instructions to help your assembly. If in doubt, scroll ahead to confirm.



Do not glue



Carefully score
and fold



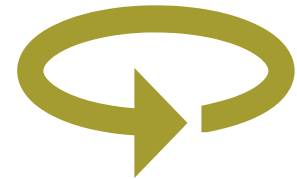
This part or its placement
is completely optional



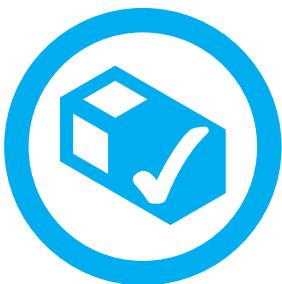
Look closely at this step.
The process order or part
used, may be specific



Repeat making this
part for the specified
number of times



The next instruction step
will be the same
assembly but from
a different angle



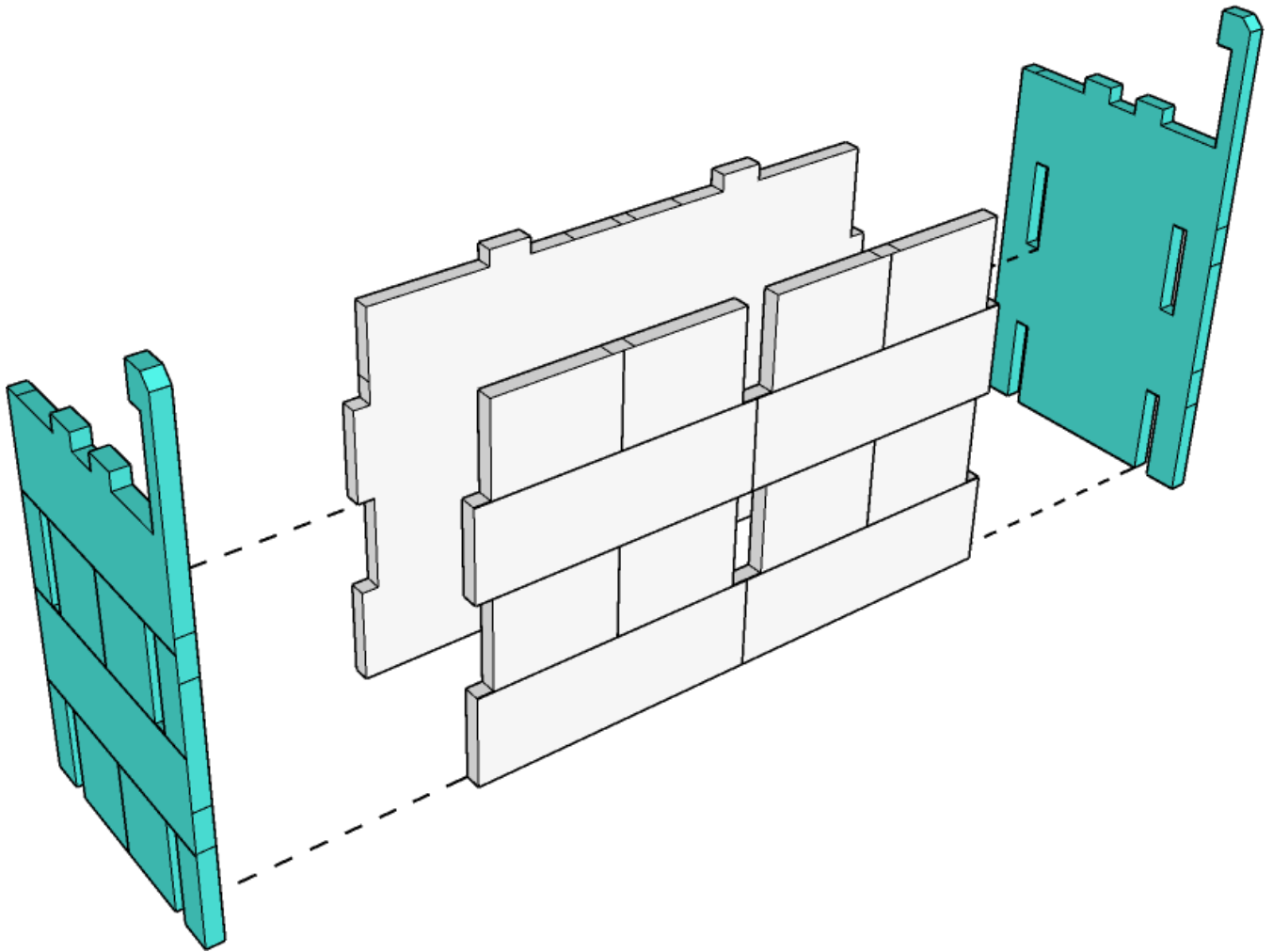
Sub-assembly complete.
This smaller construction
is ready to add to the
main kit

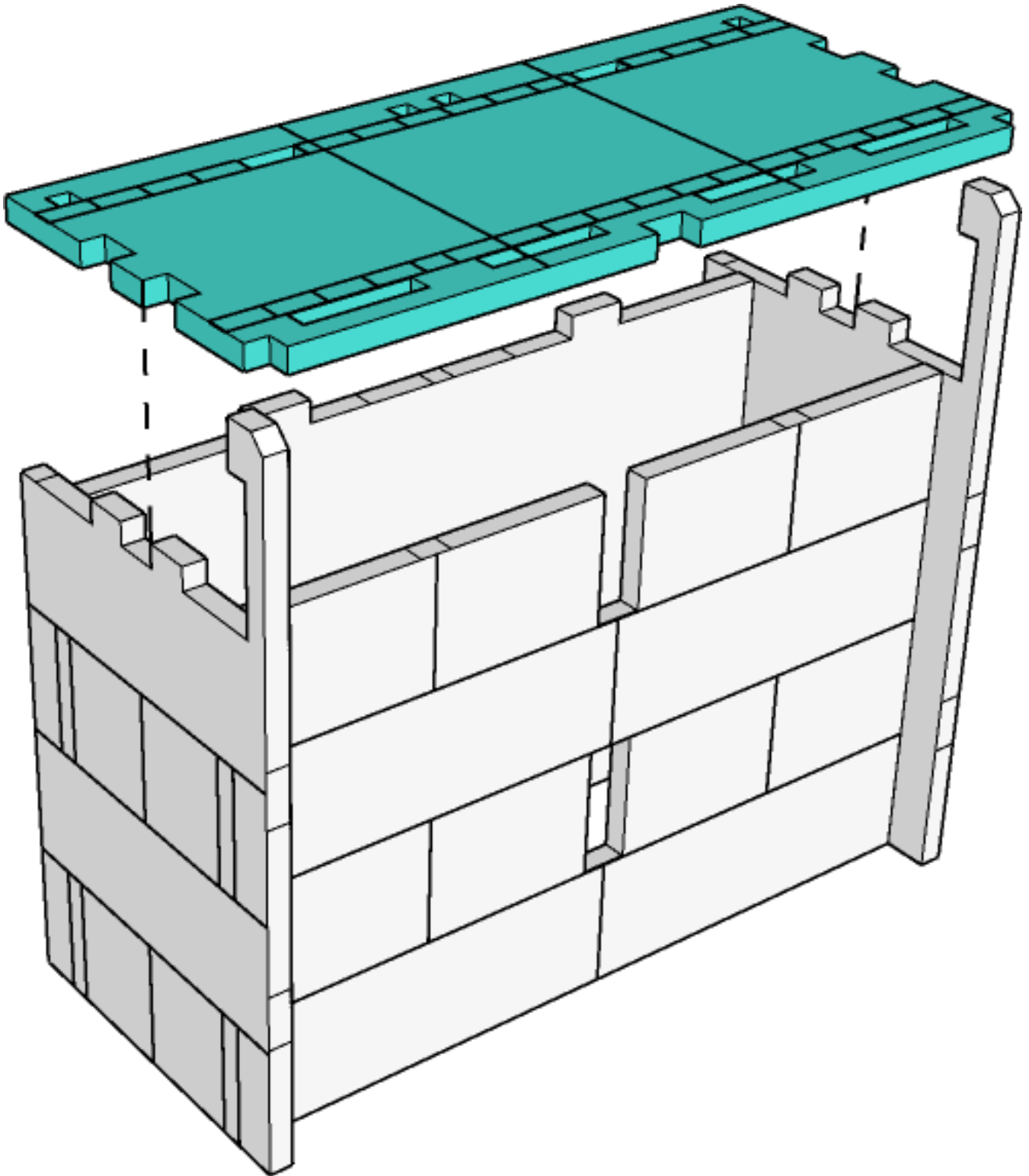


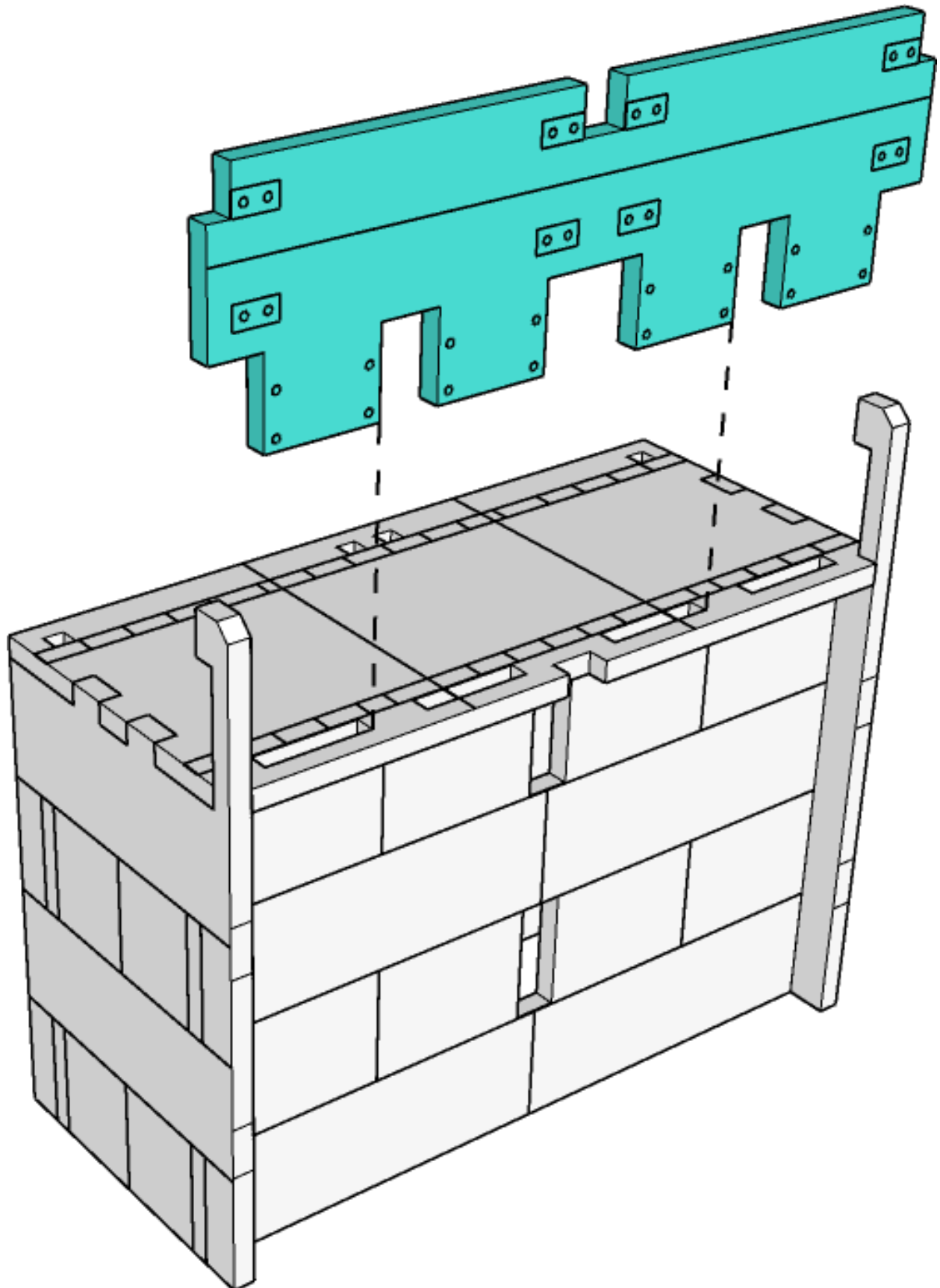
Assembly Complete!
There may be more
optional parts so check
to the very end
of the instructions



FRAGILE: DO NOT BEND.
"Bendy wood" is designed
to curve around
a designed frame only.



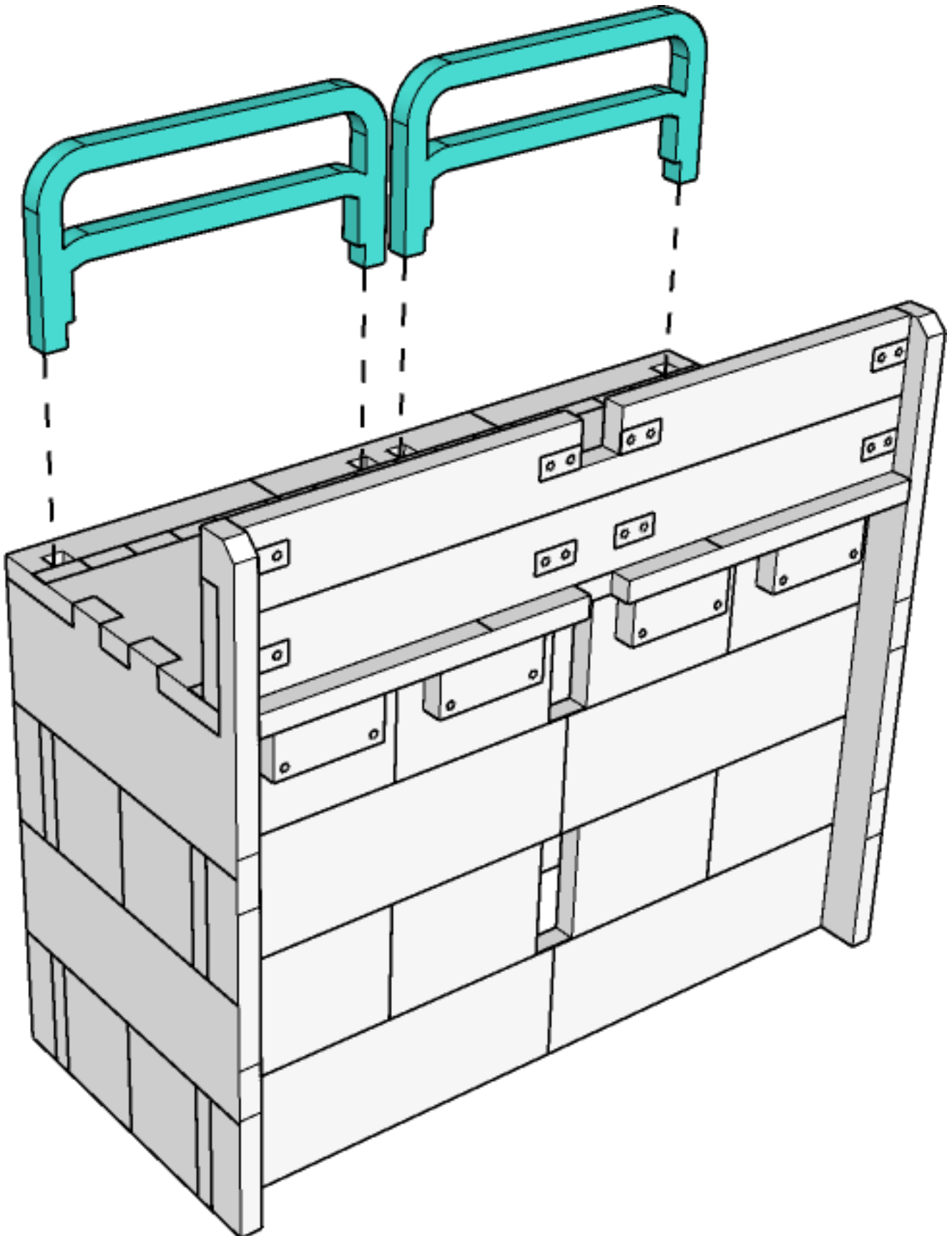




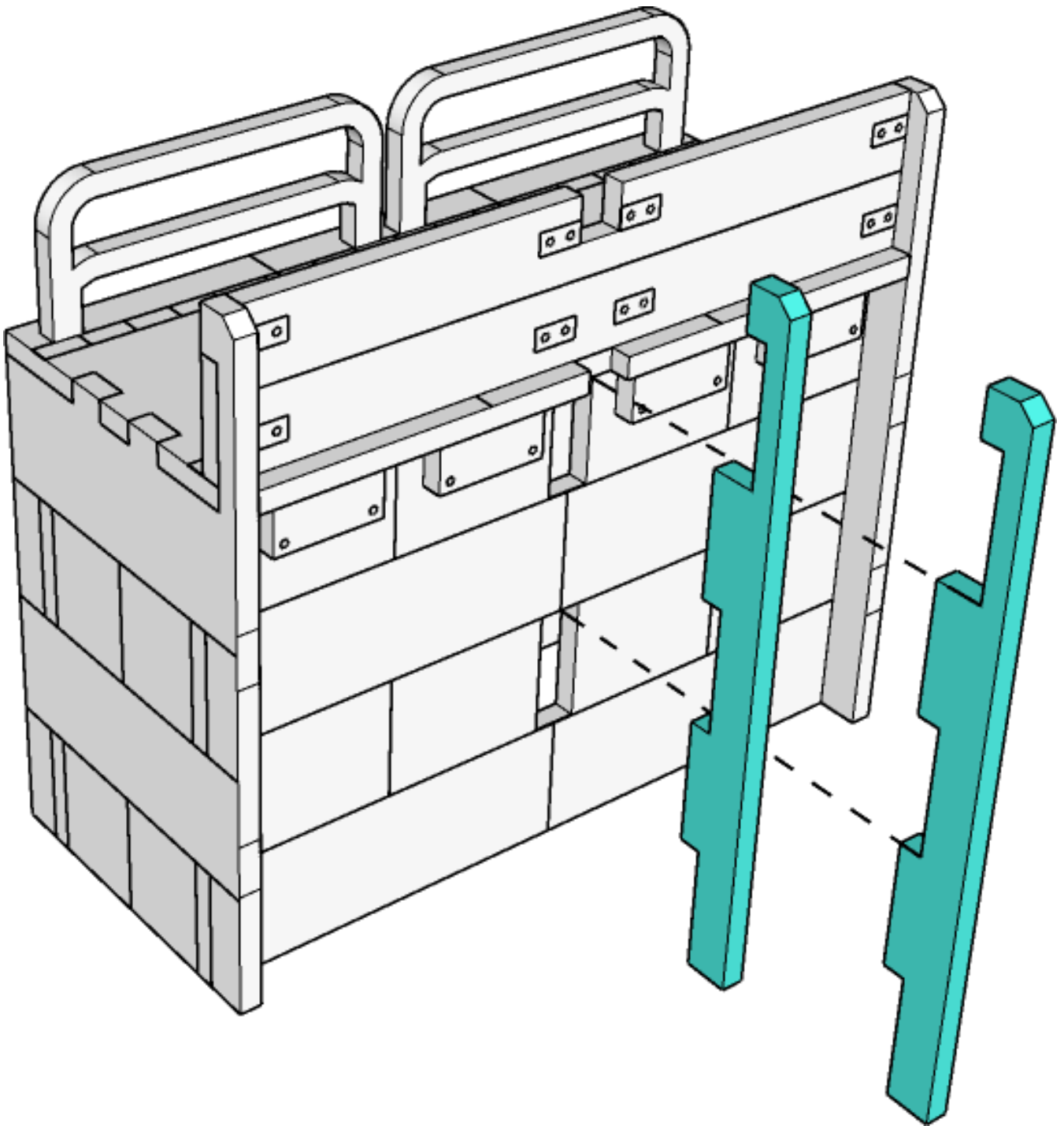


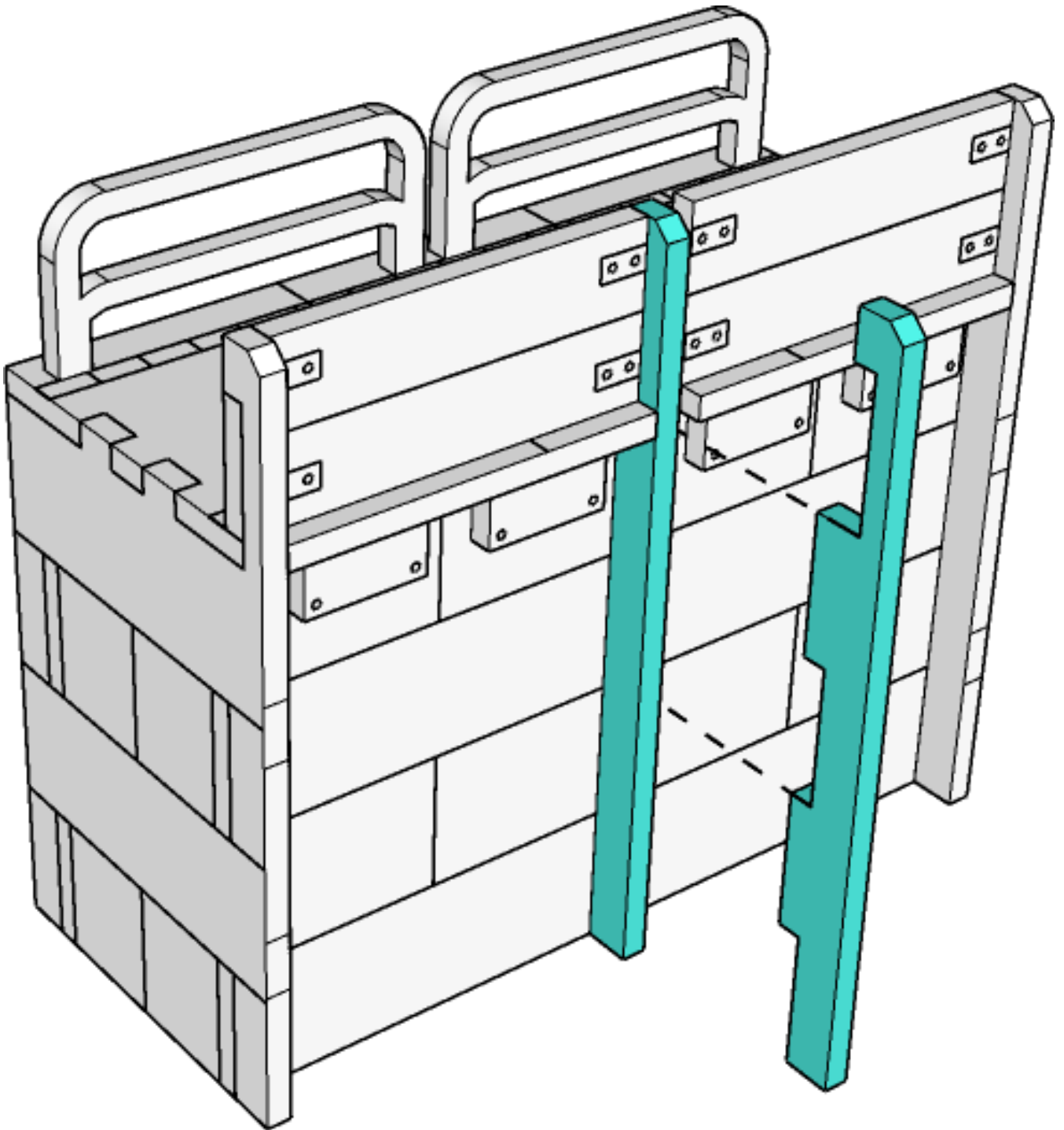
TABLETOP
SCENICS

TTSCW-DCS-159
PCPD: Wall Sections



6







**TABLETOP
SCENICS**

**TTSCW-DCS-159
PCPD: Wall Sections**

