

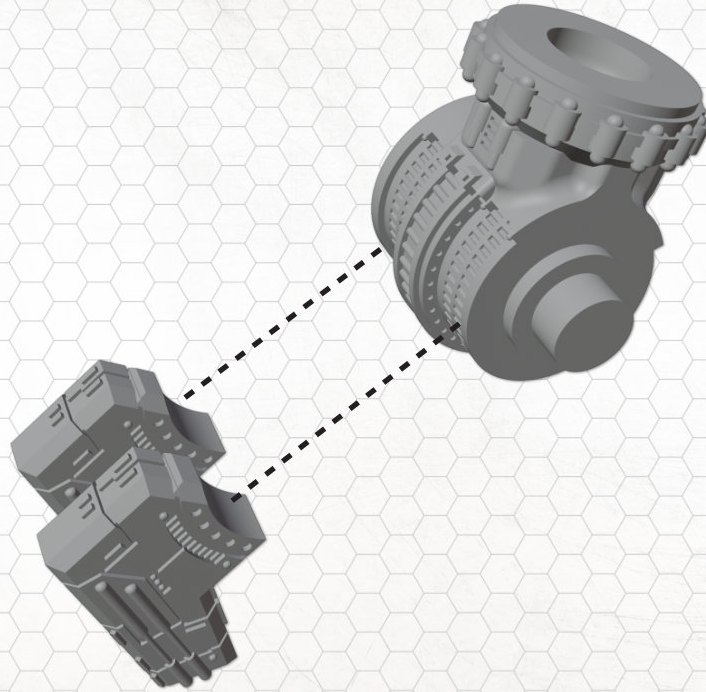


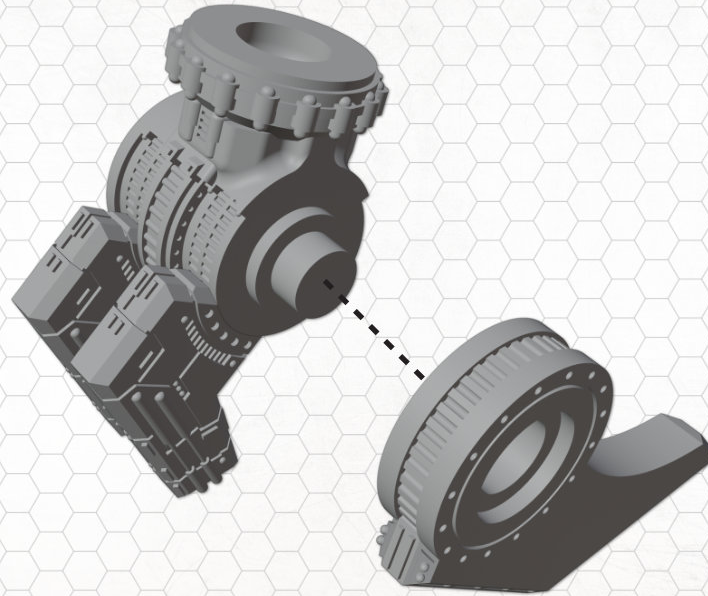


# DROPZONE

COMMANDER

## RESISTANCE BEHEMOTH



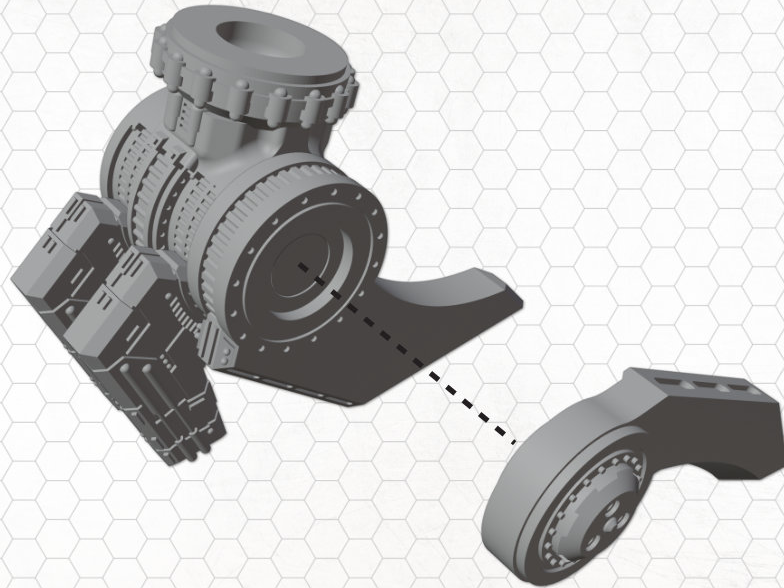




# DROPZONE

COMMANDER

## RESISTANCE BEHEMOTH

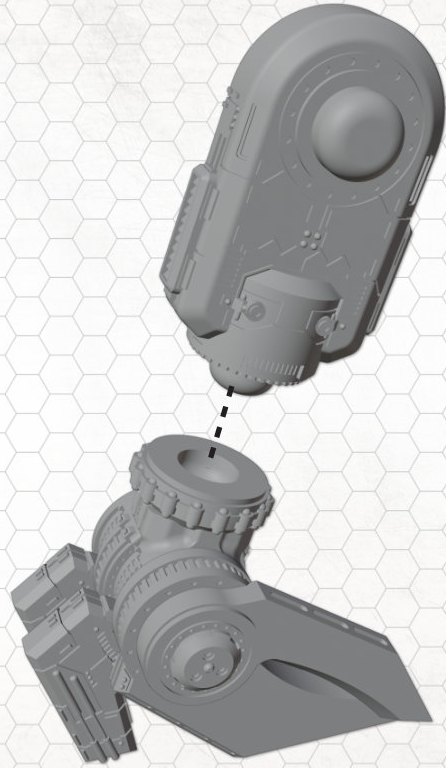


# DROPZONE

COMMANDER

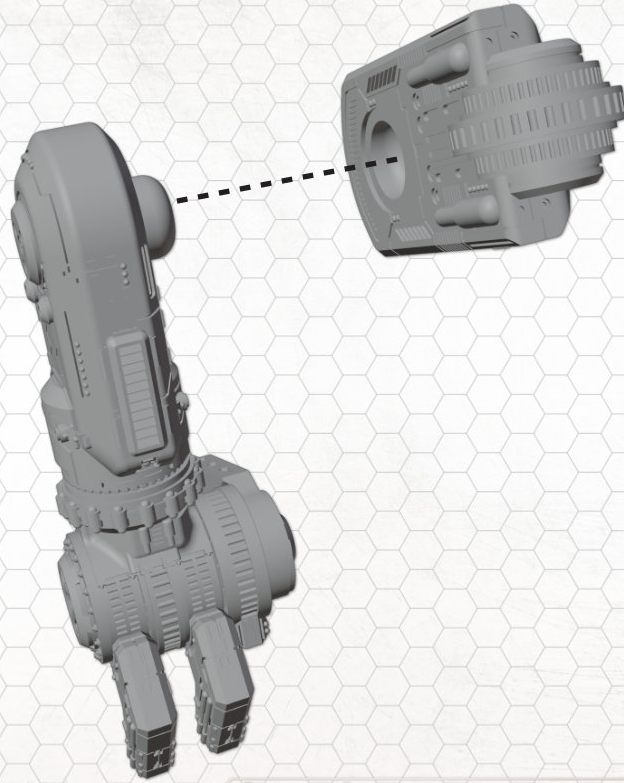
## RESISTANCE

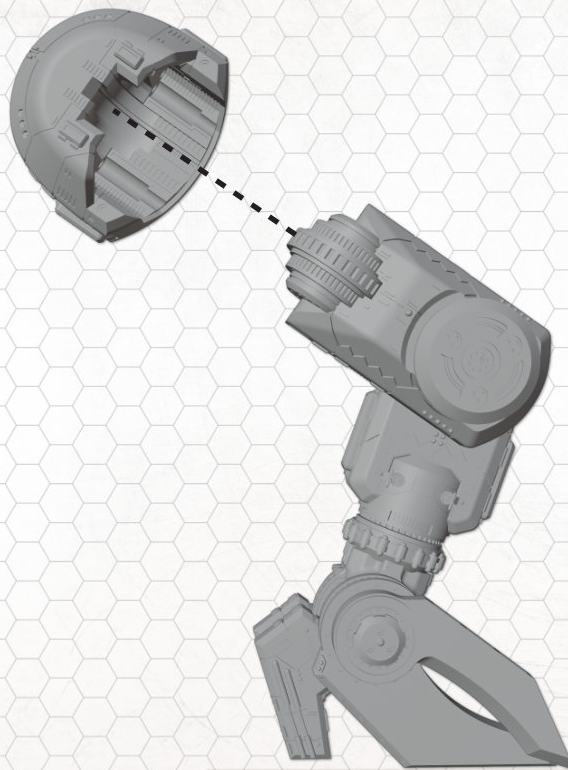
### BEHEMOTH



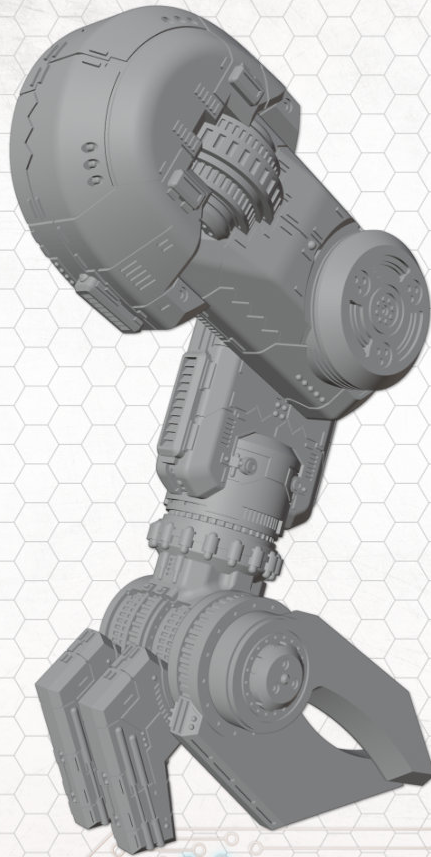


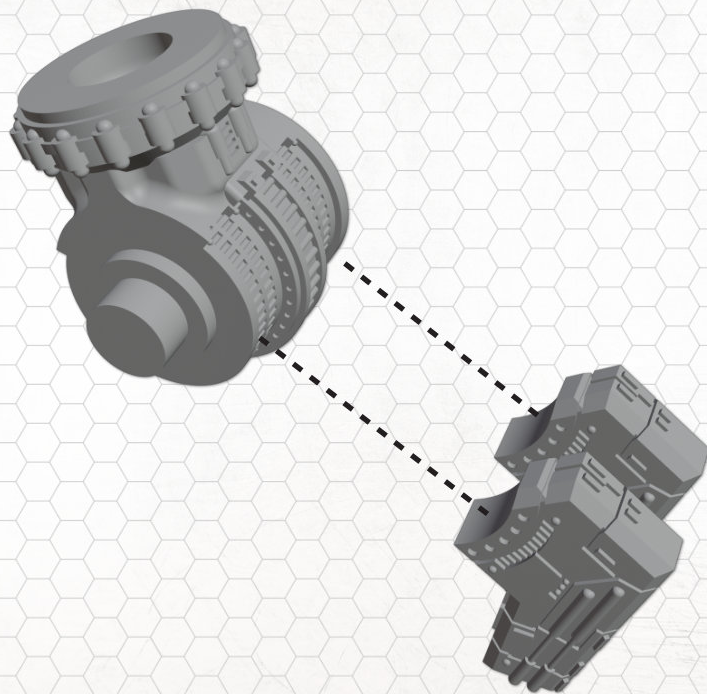
**DROPZONE**  
COMMANDER  
**RESISTANCE**  
**BEHEMOTH**



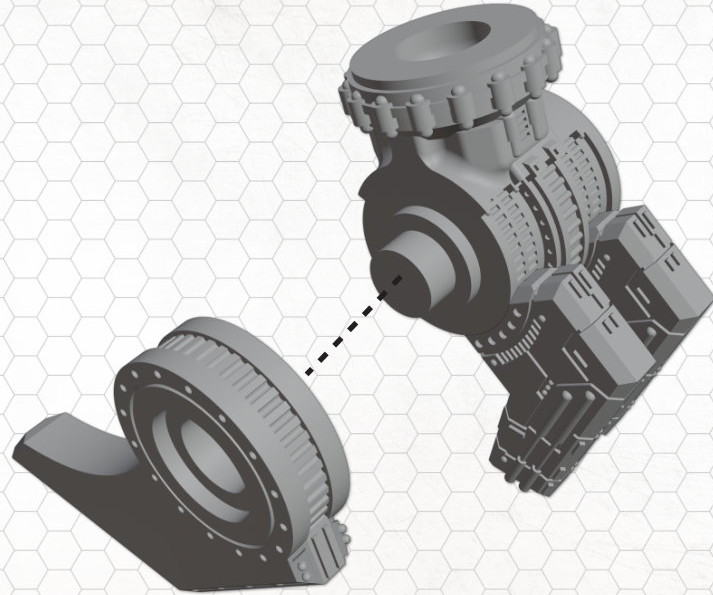


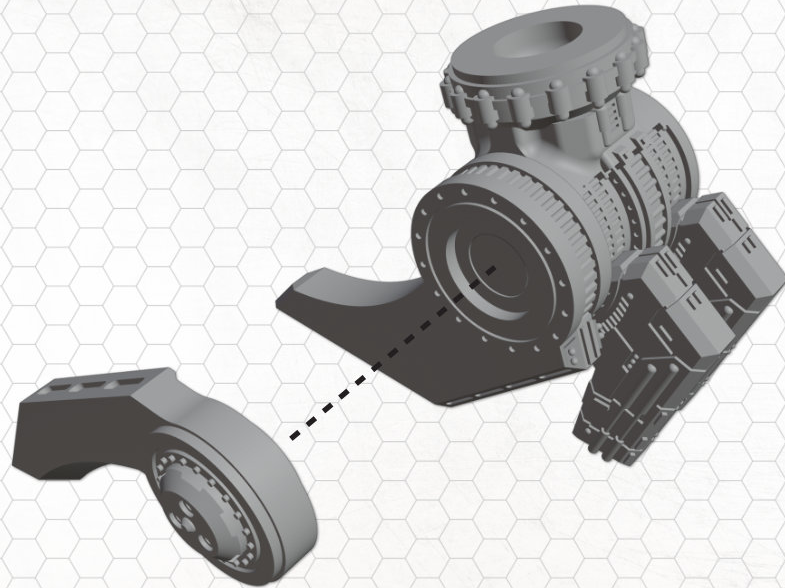




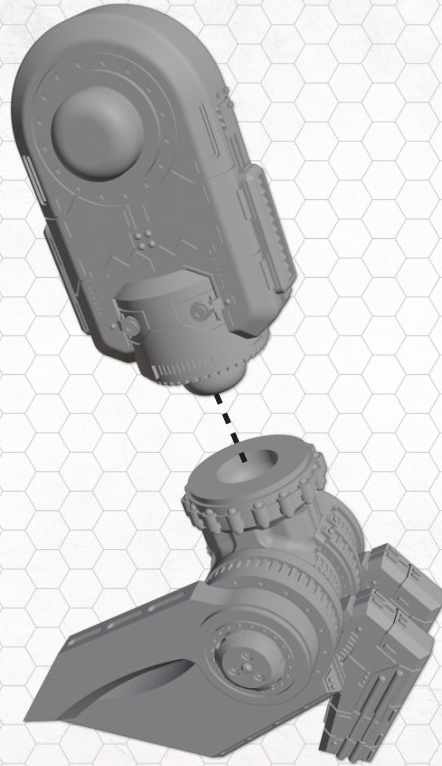






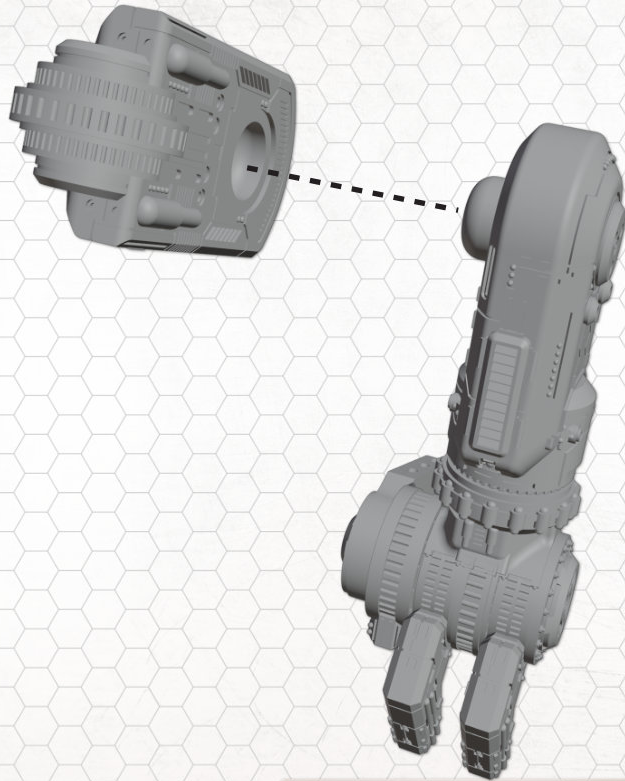




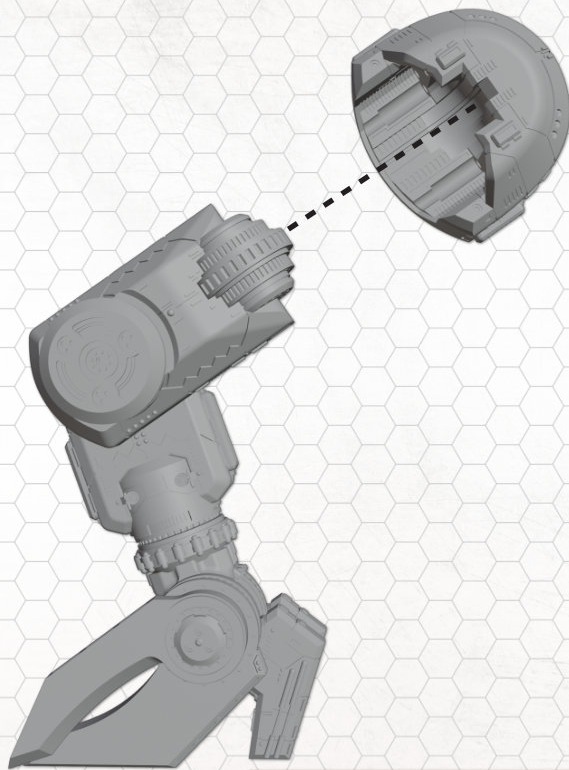


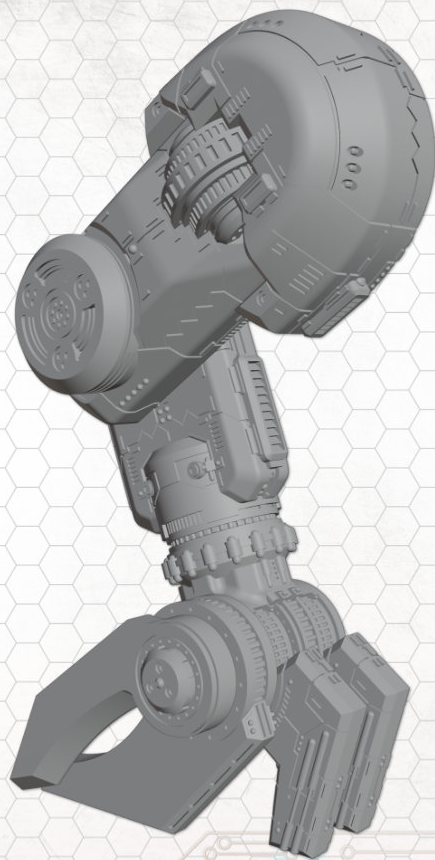
**DROPZONE**  
C O M M A N D E R

**RESISTANCE**  
**BEHEMOTH**





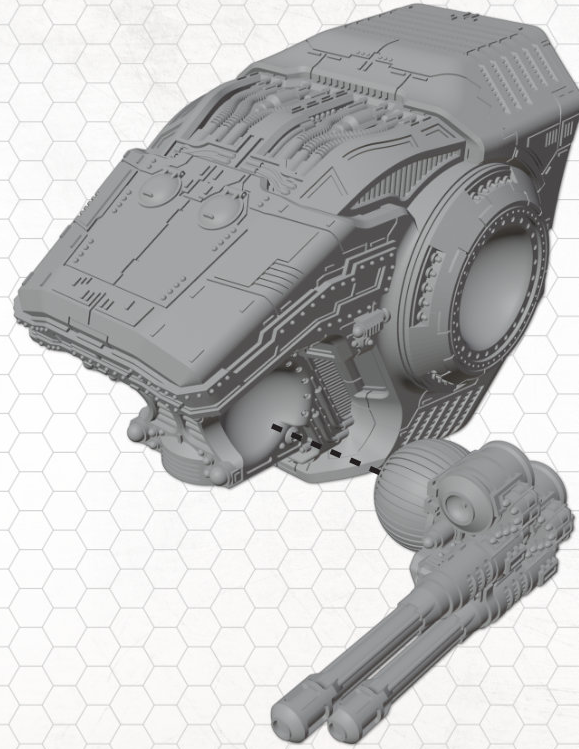


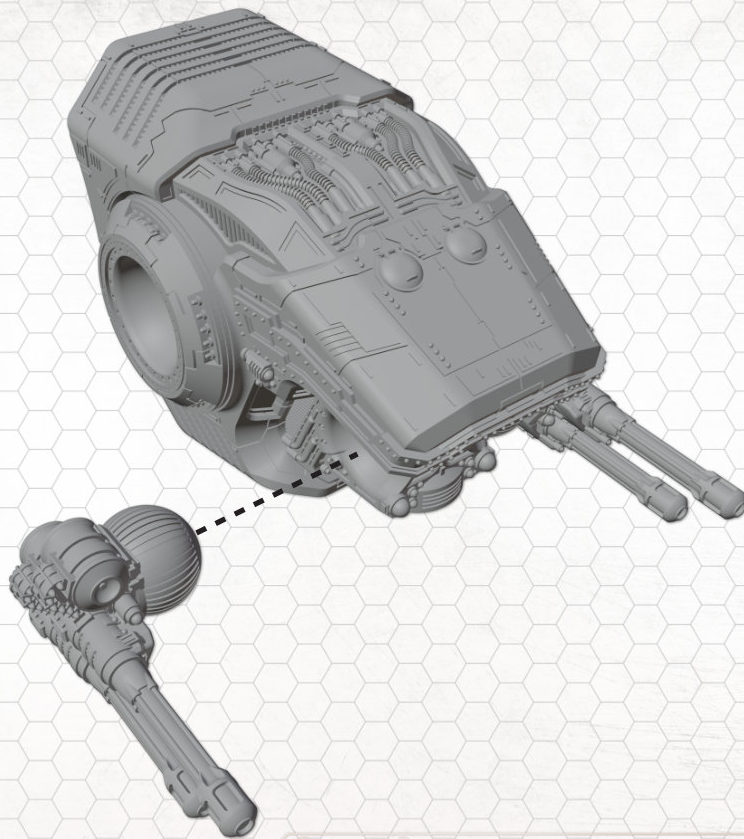


x2

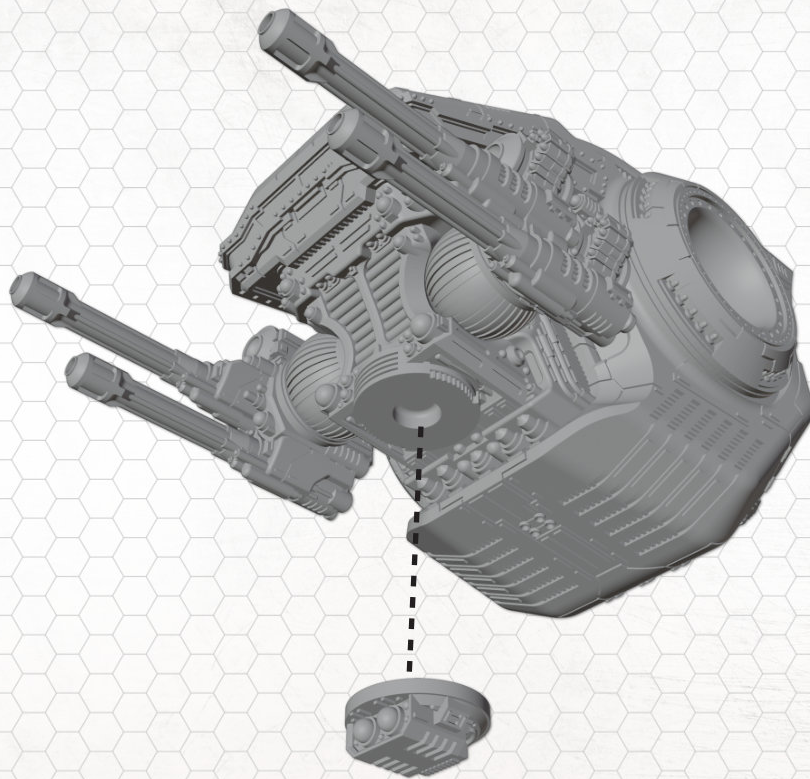


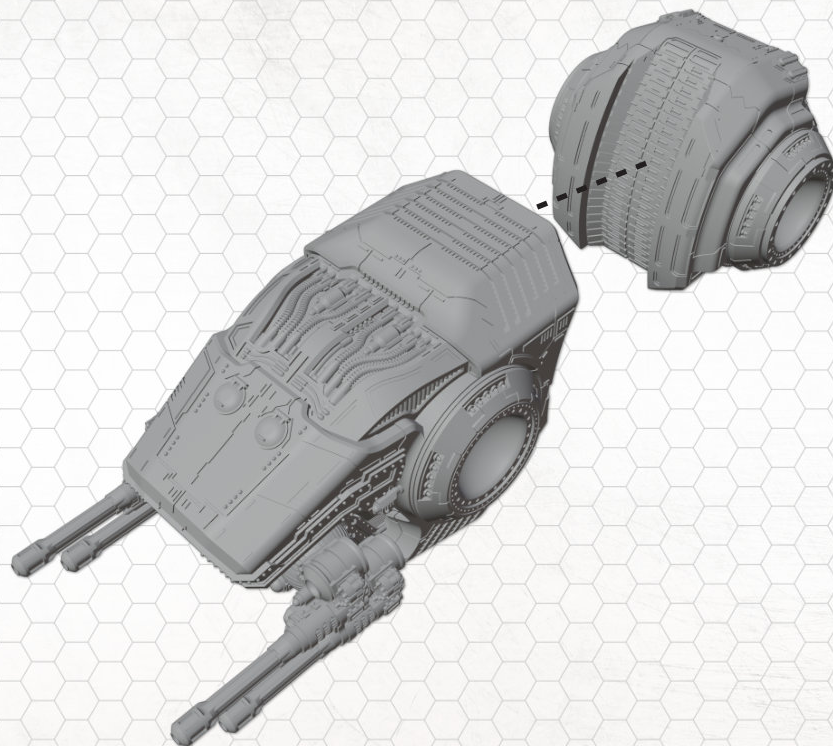




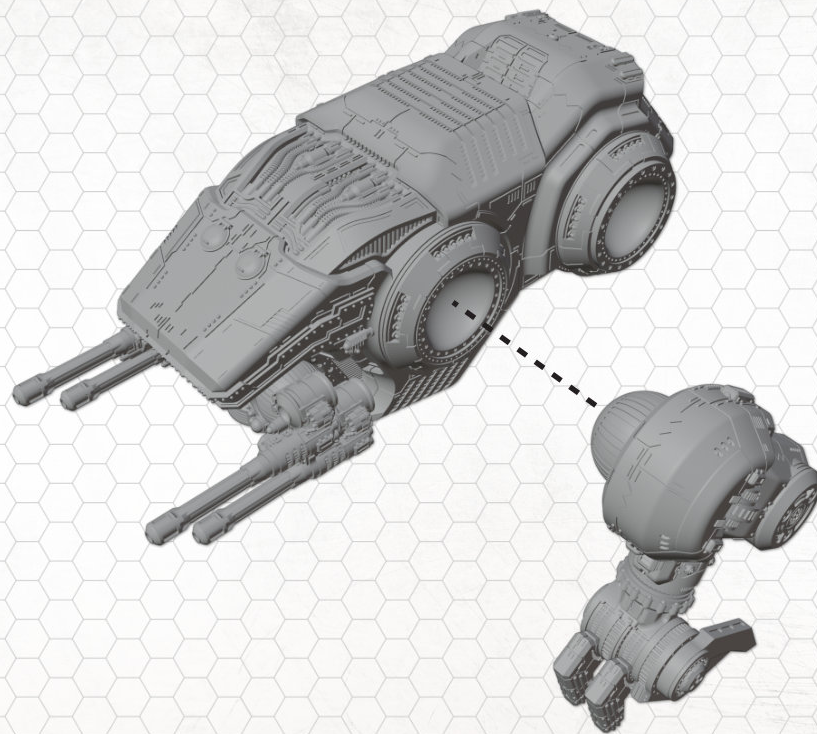


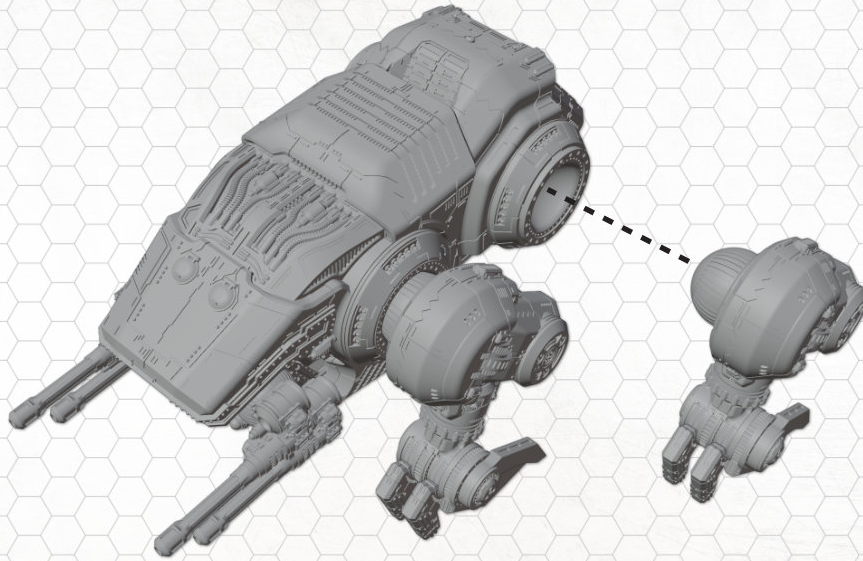




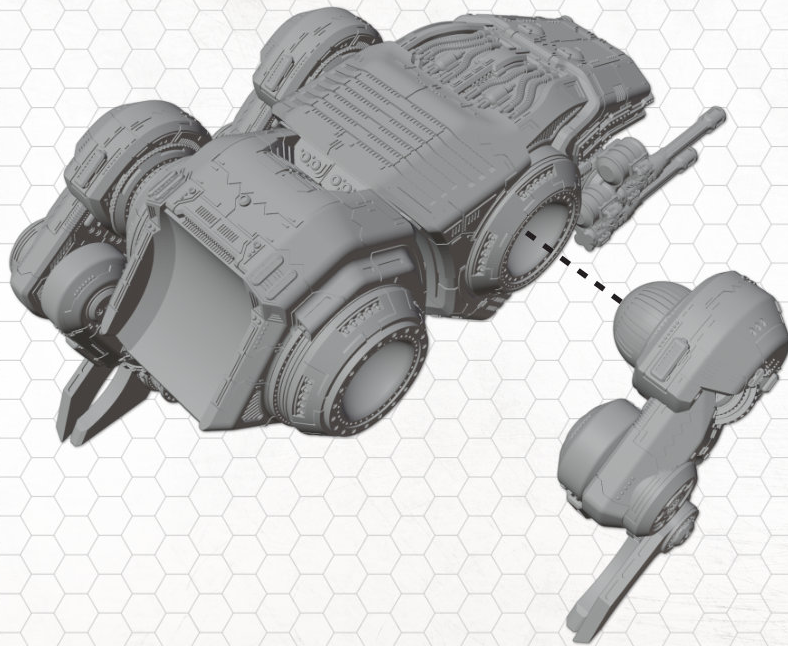


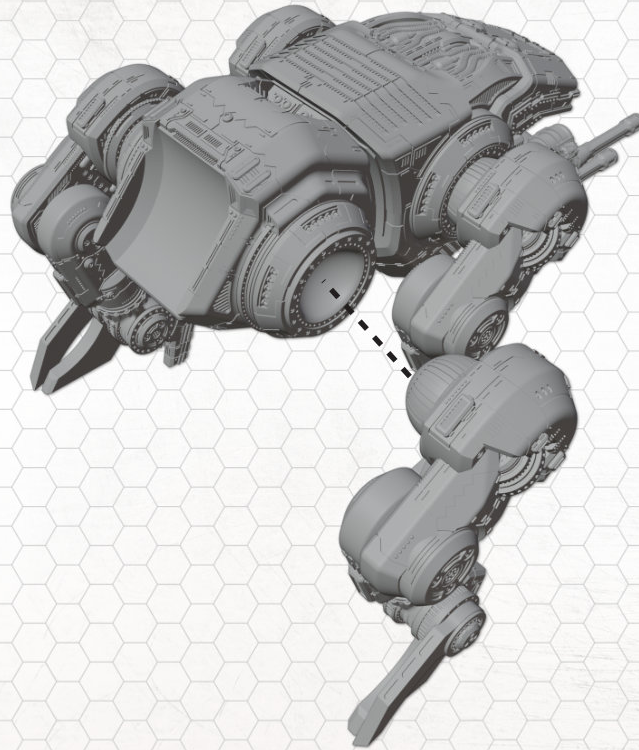




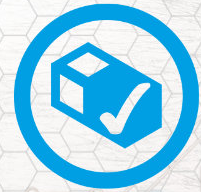
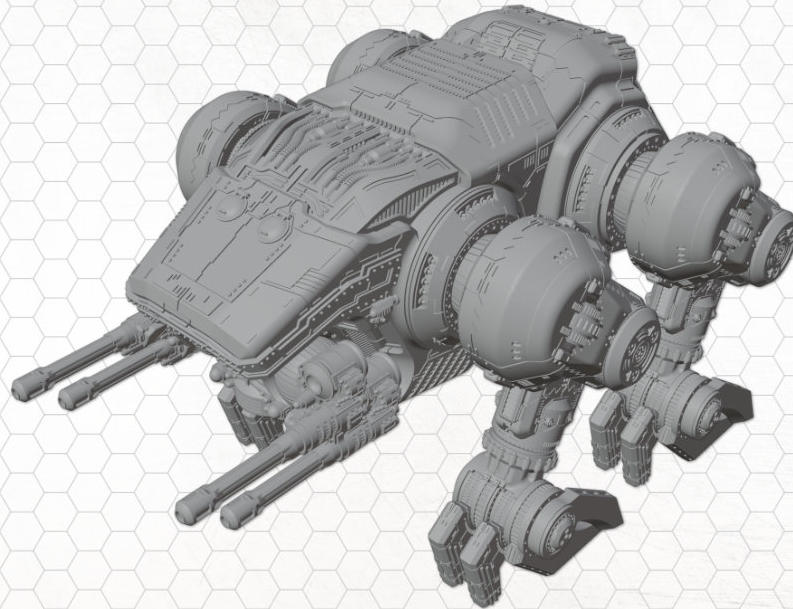




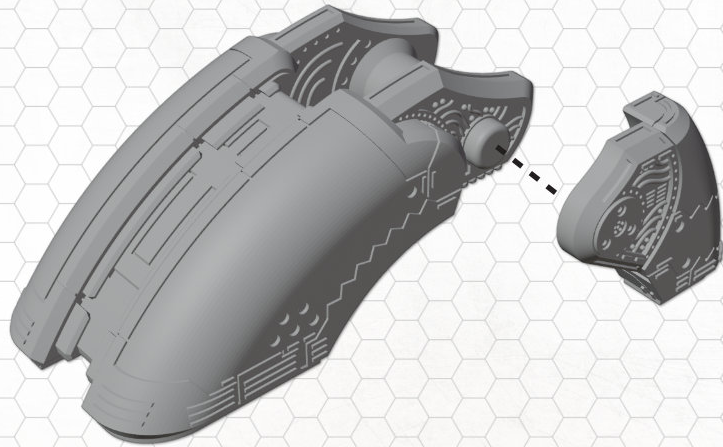




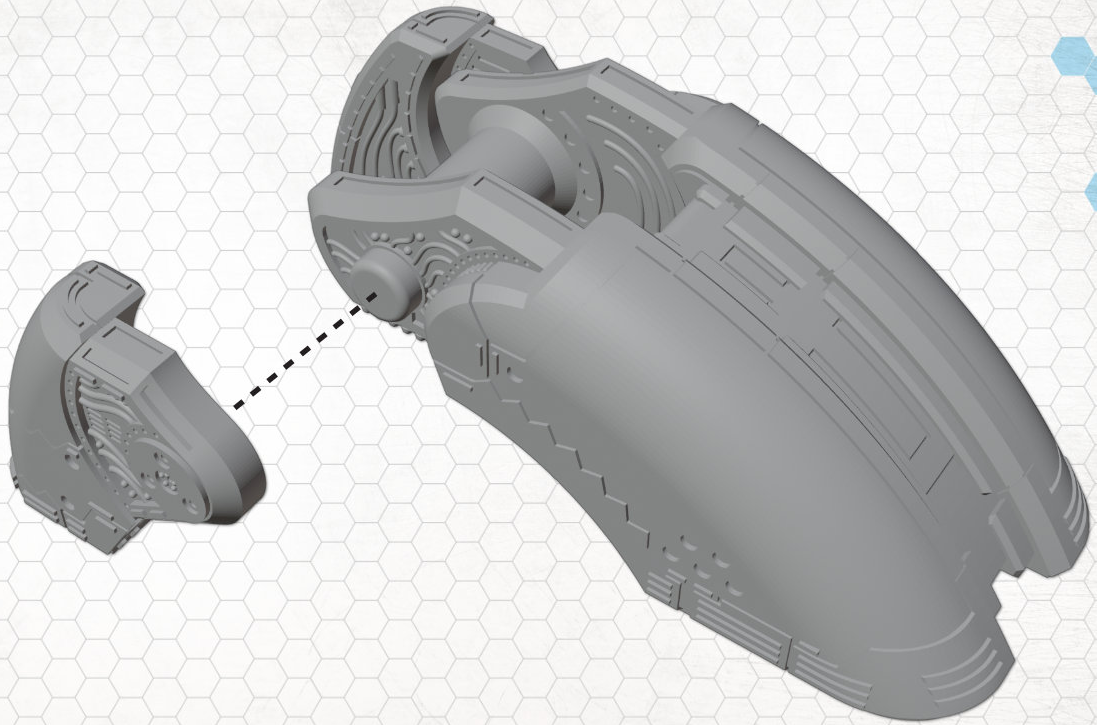


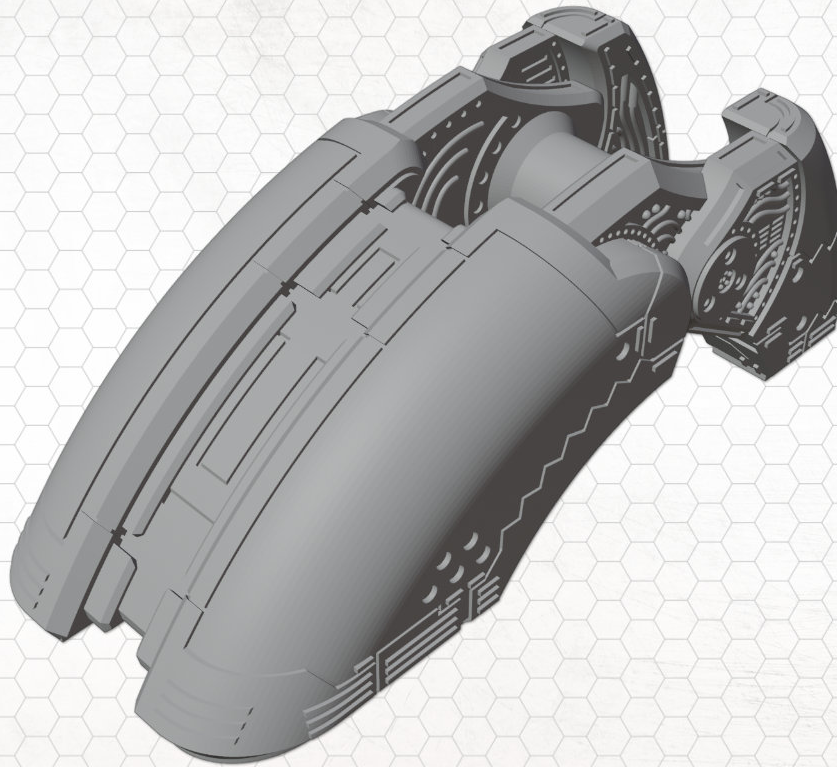


**DROPZONE**  
COMMANDER  
**RESISTANCE**  
**BEHEMOTH**

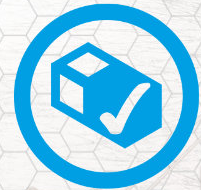




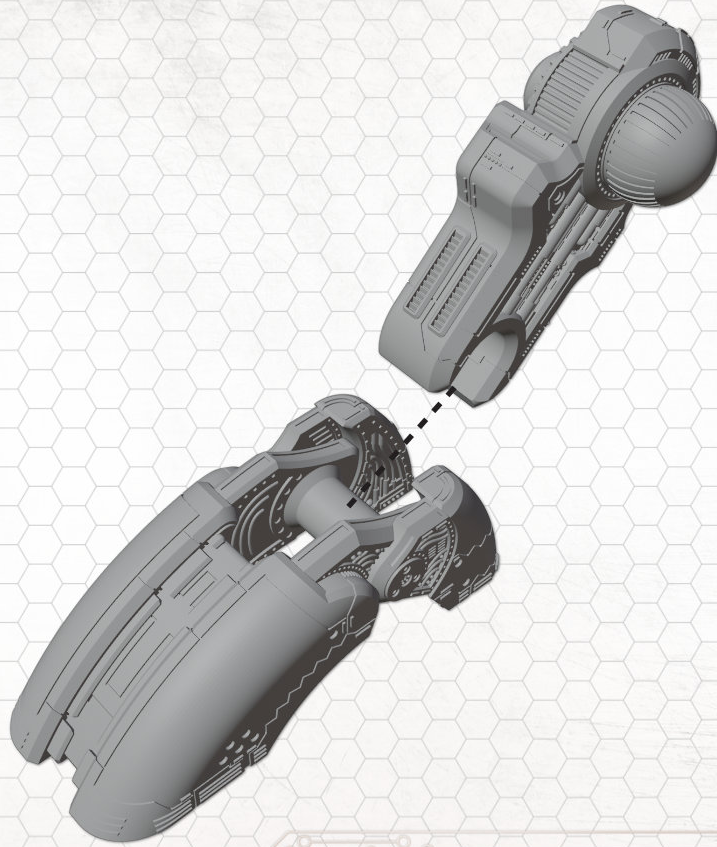


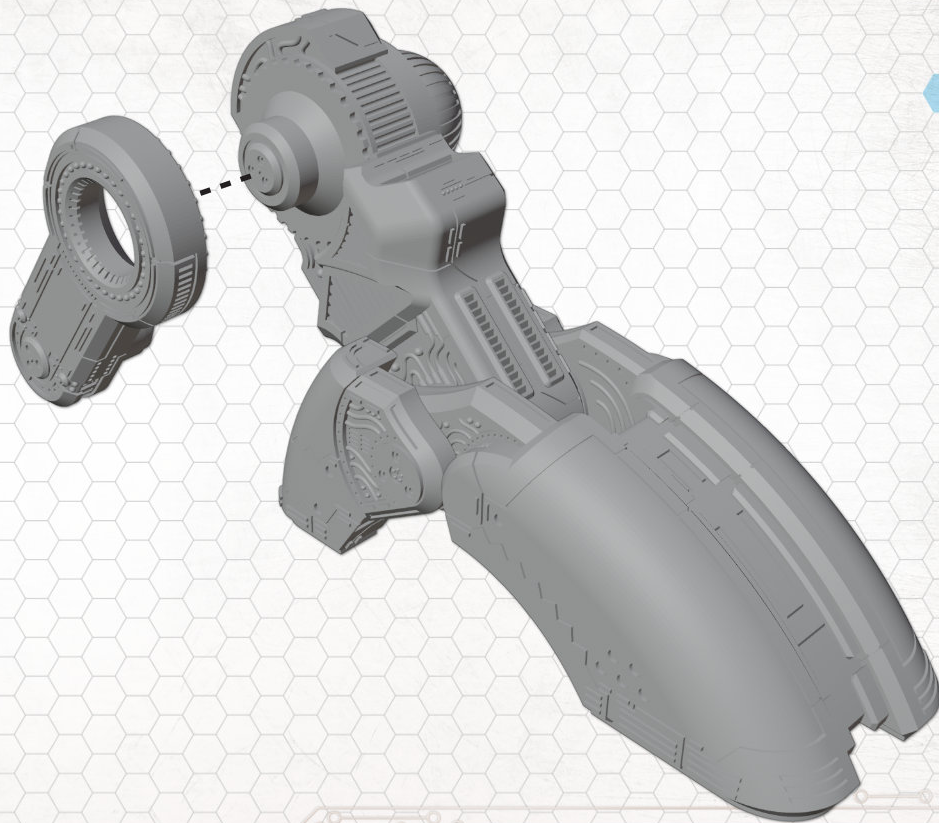


x2

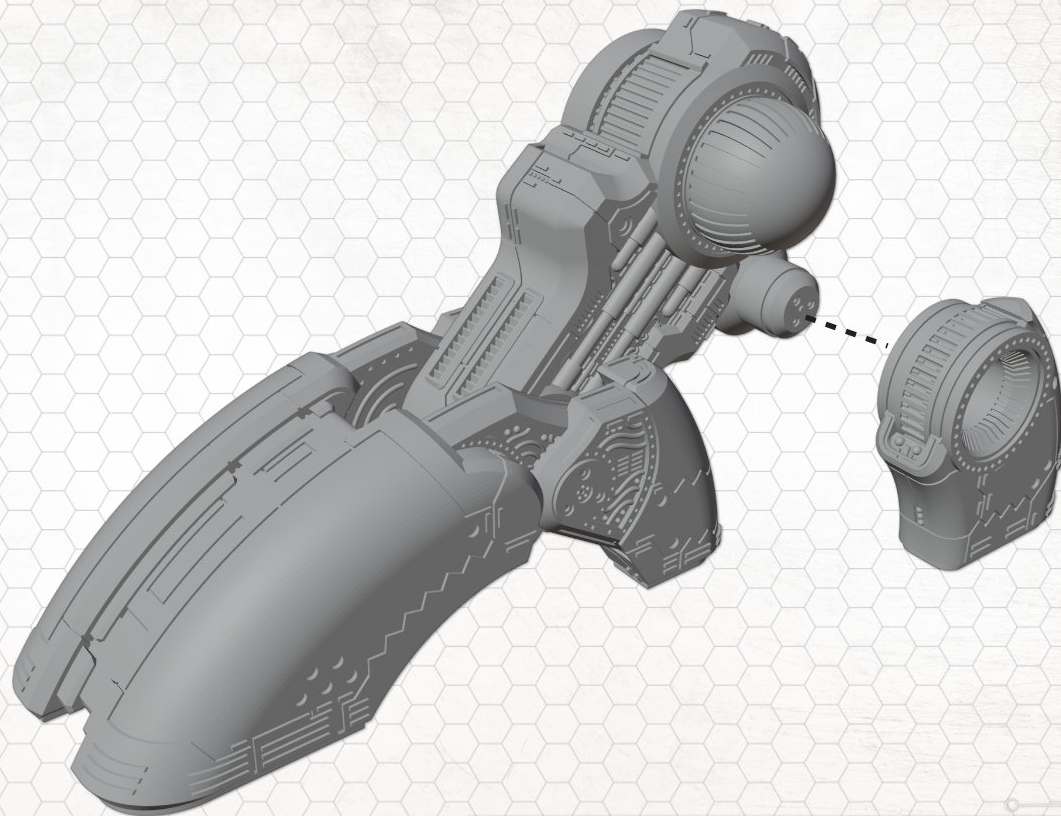


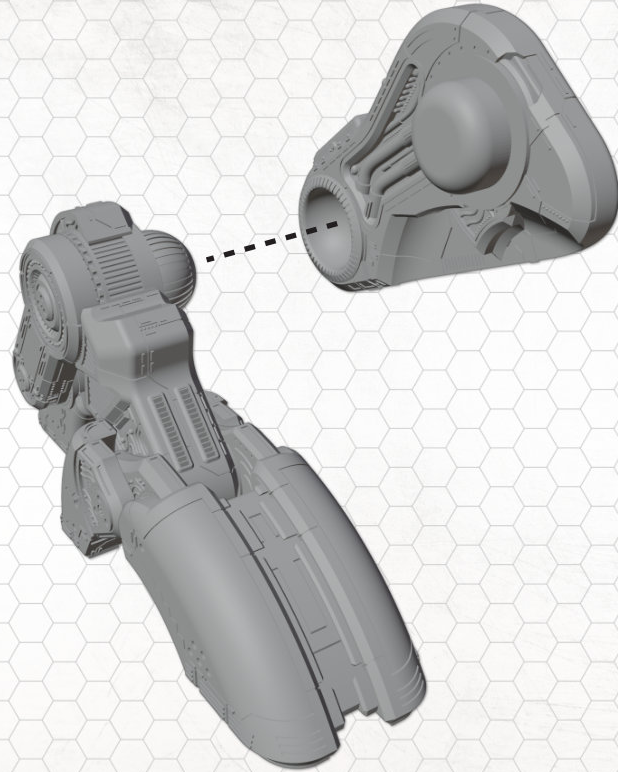










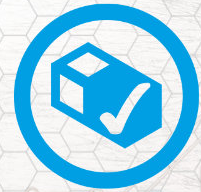




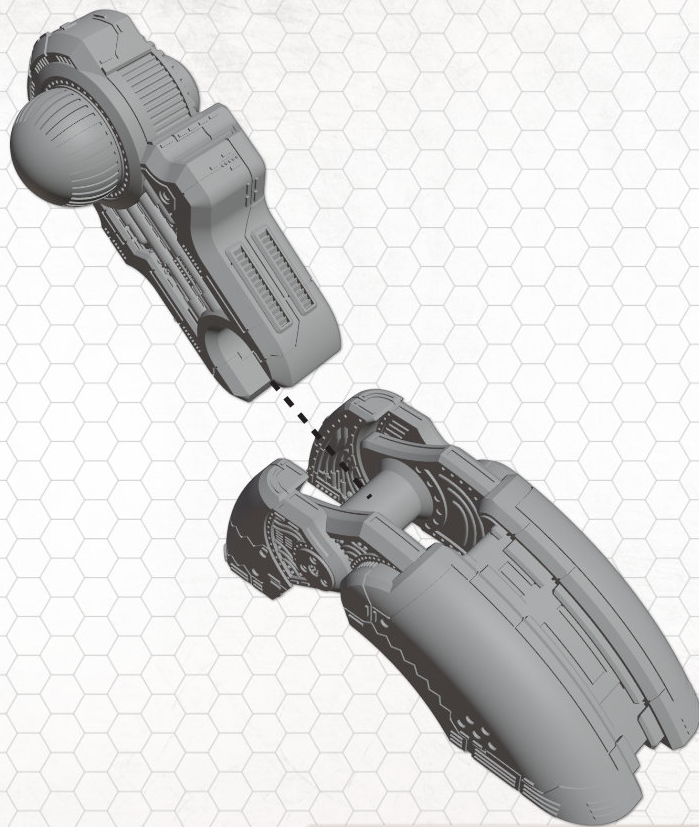


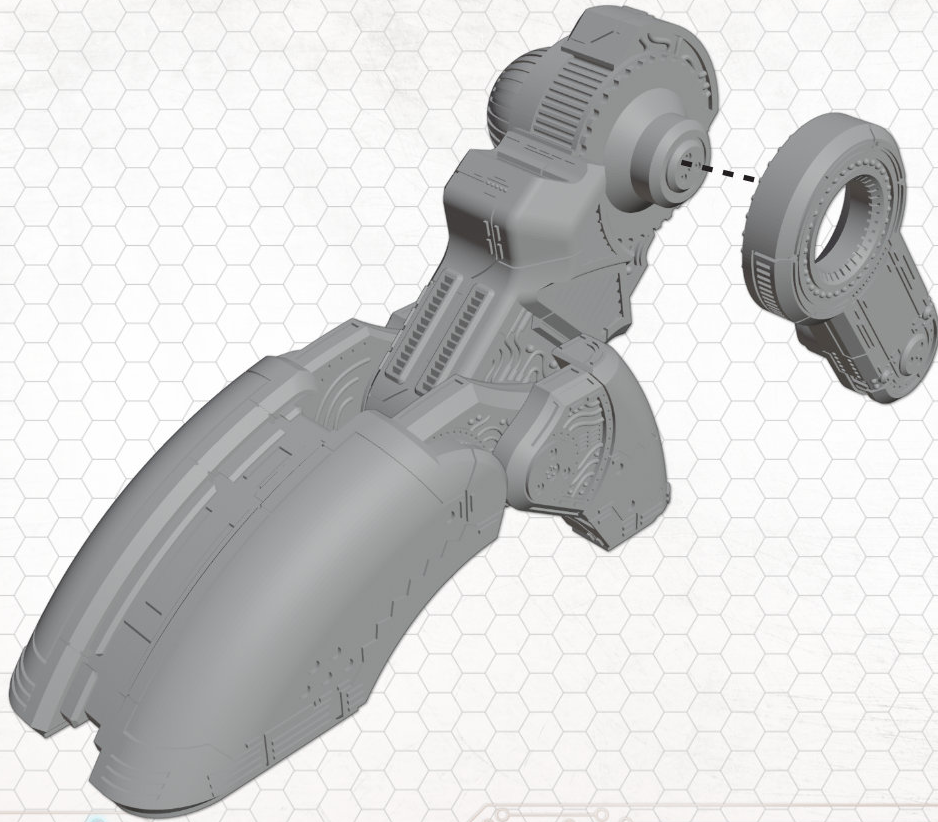
**DROPZONE**  
COMMANDER

RESISTANCE  
BEHEMOTH

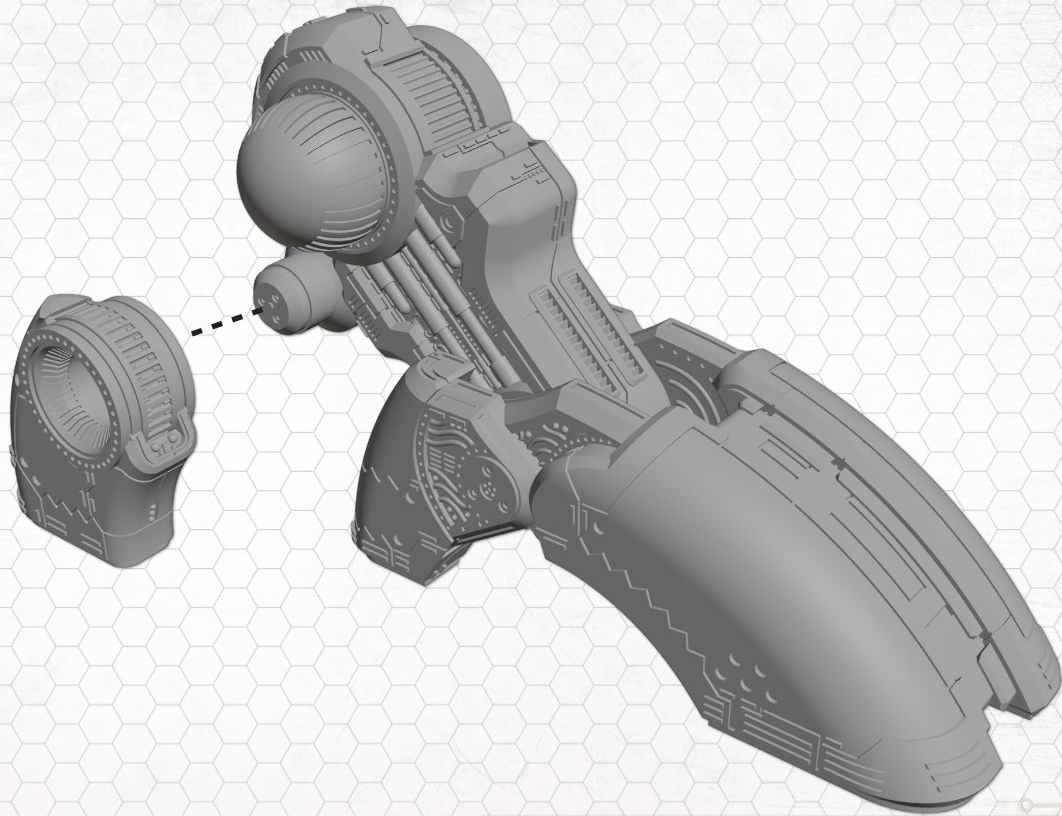


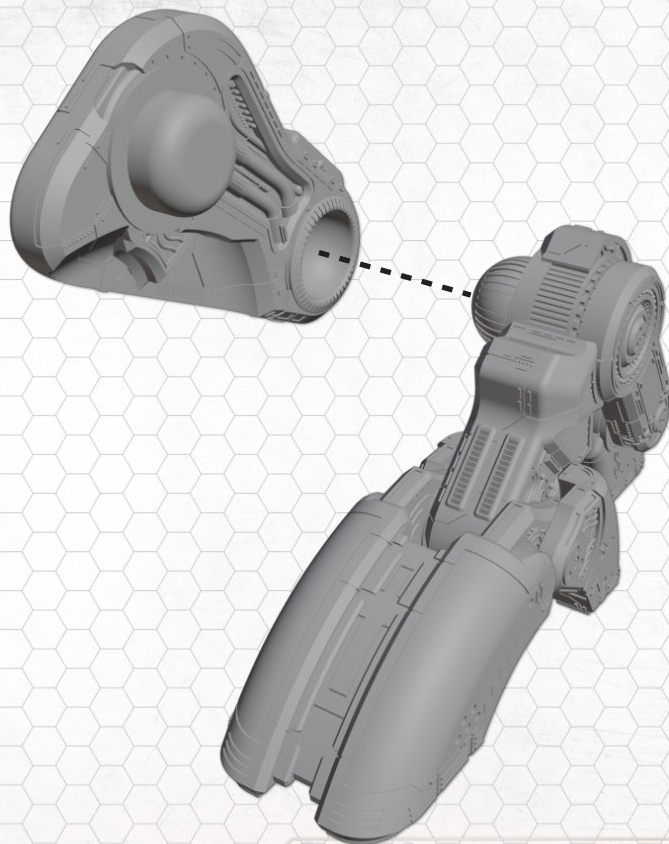






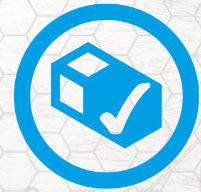




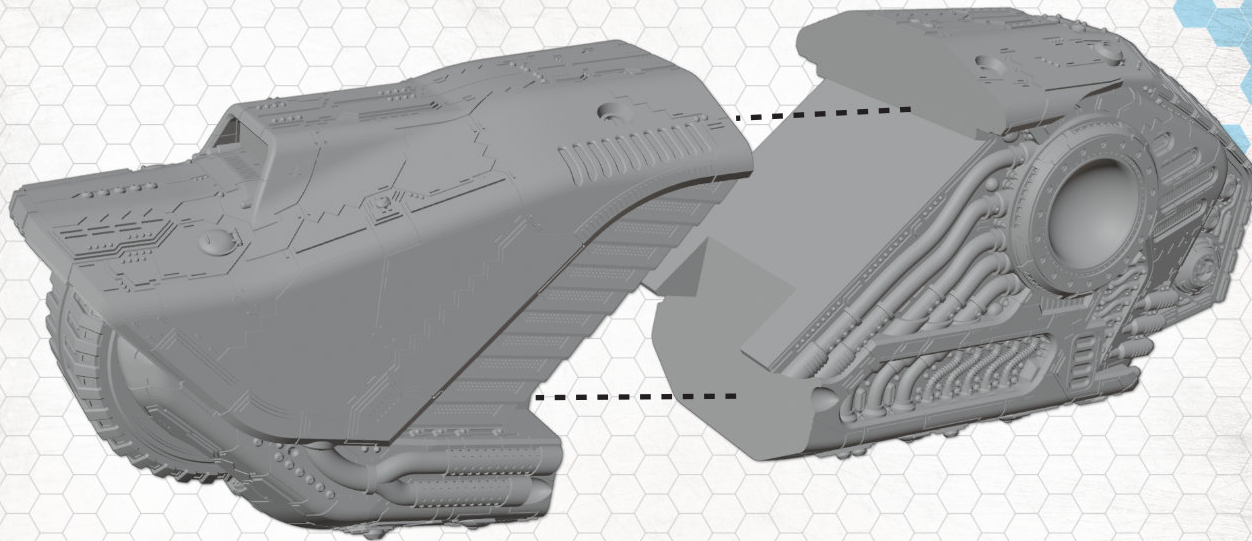


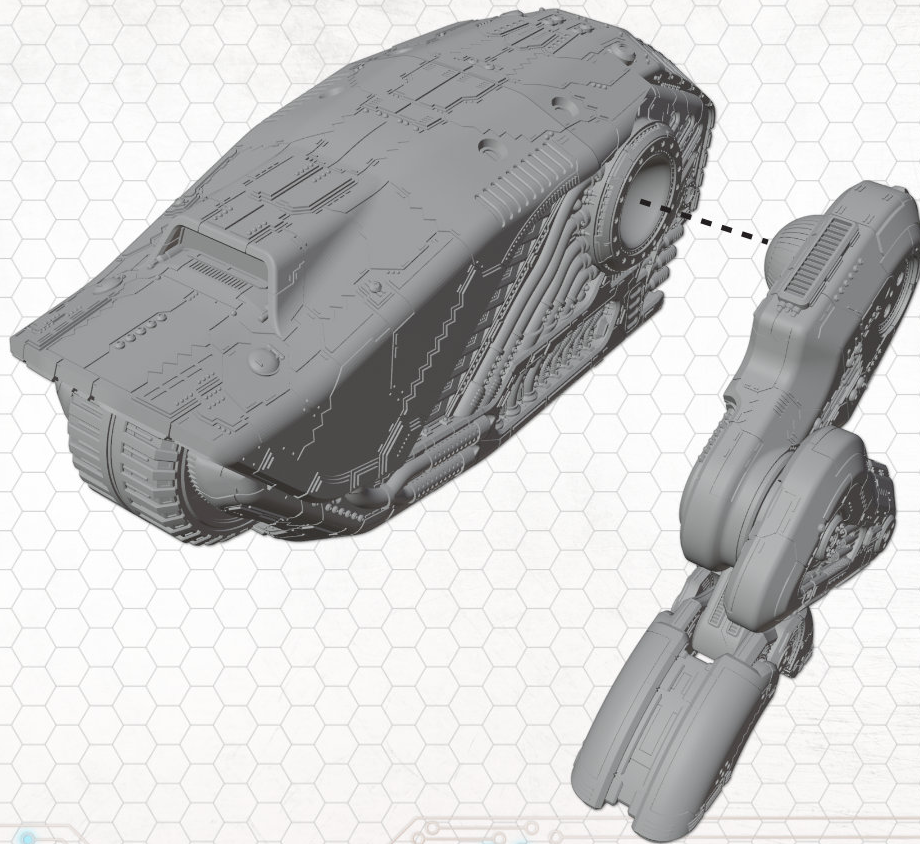




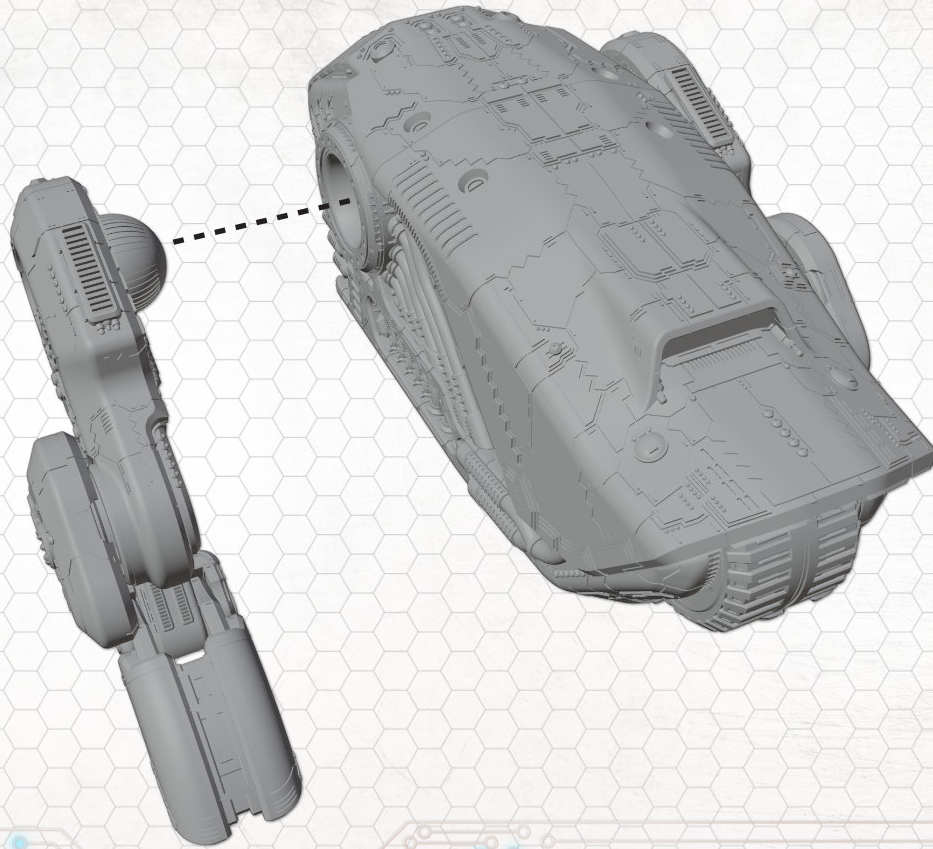


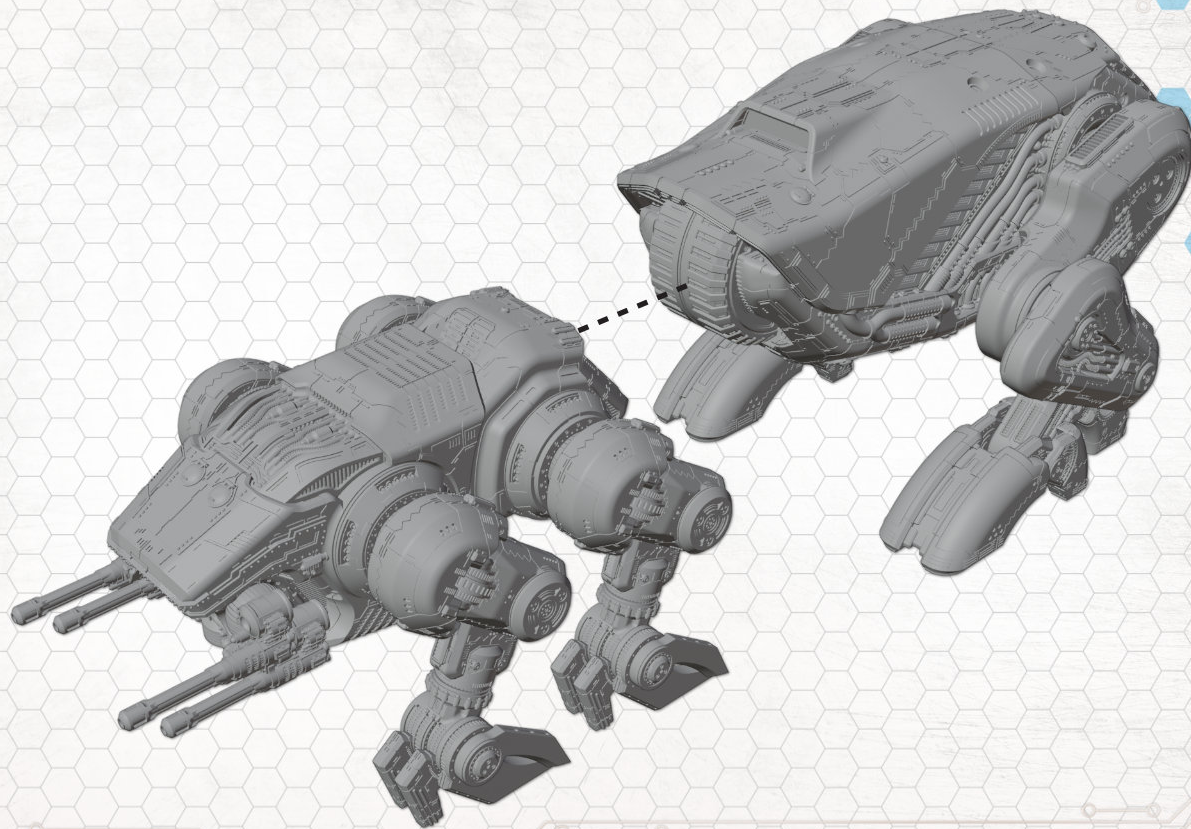






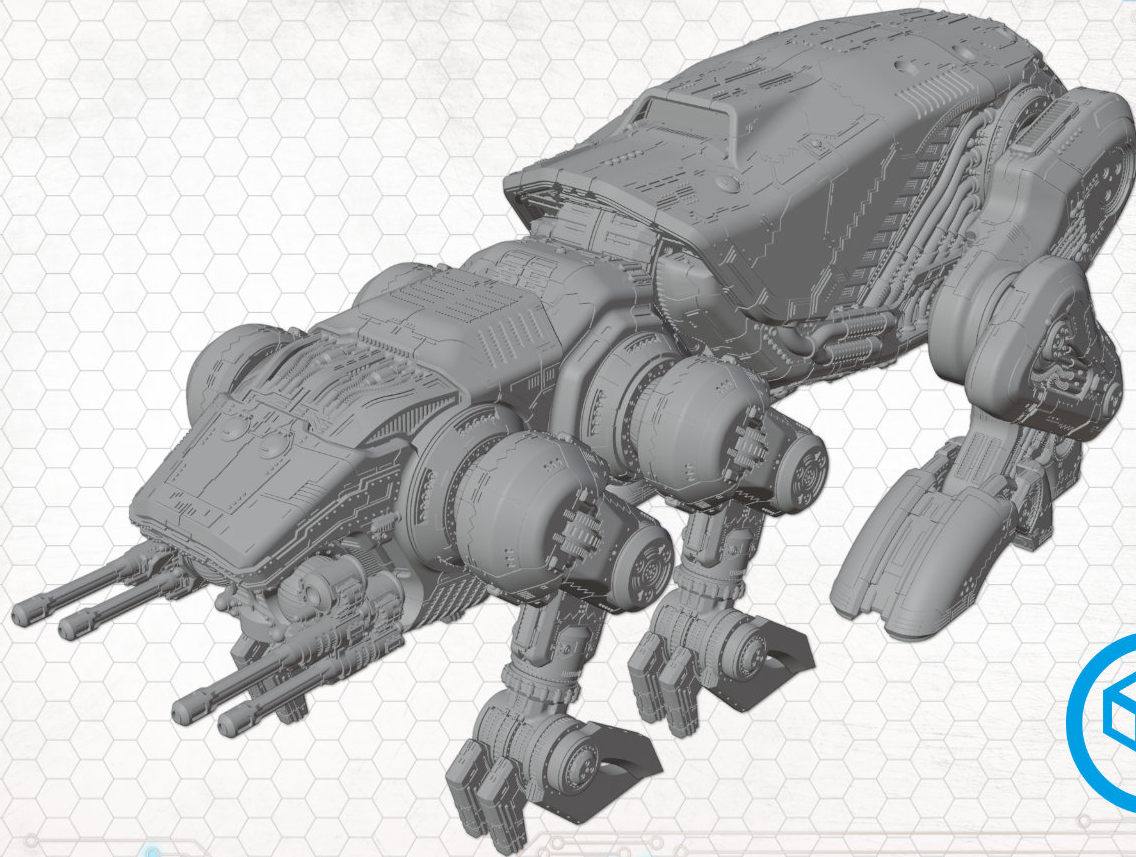




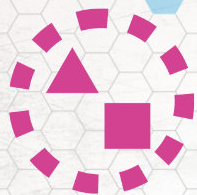




## RESISTANCE BEHEMOTH



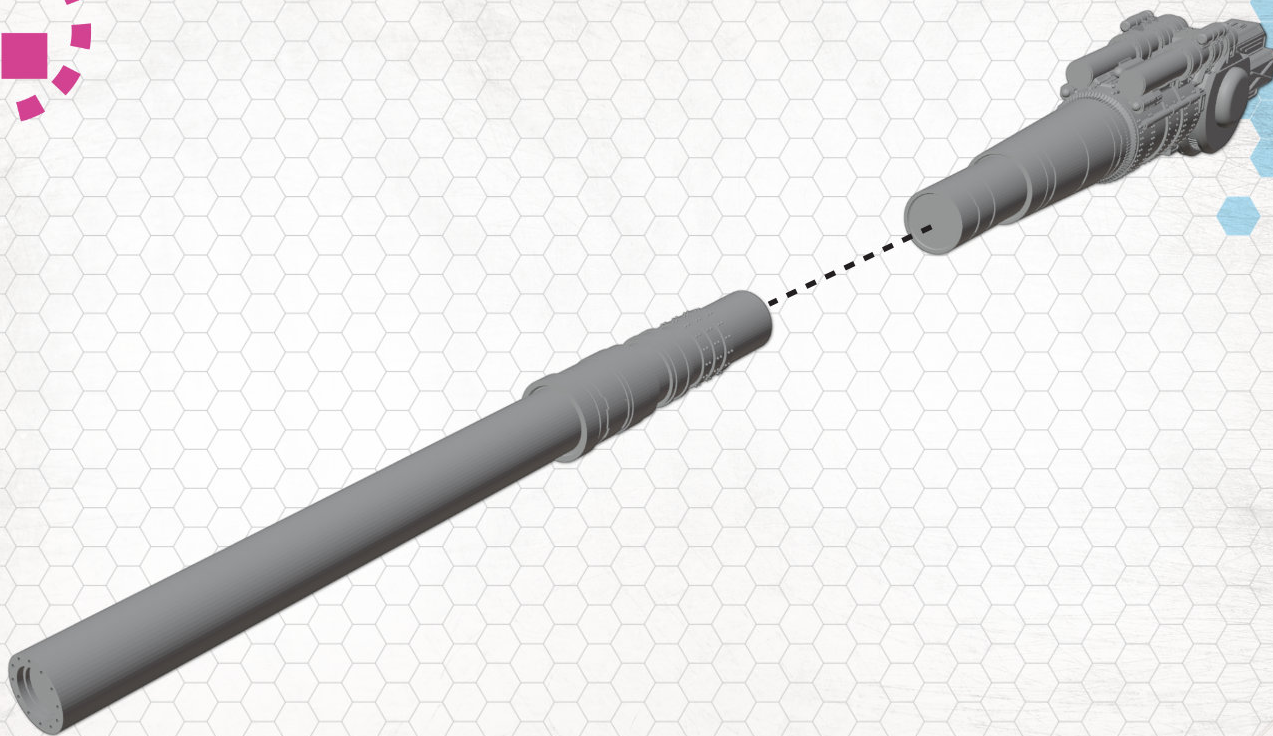
# JUGGERNAUT



**DROPZONE**

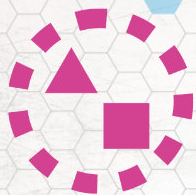
COMMANDER

RESISTANCE  
BEHEMOTH





# JUGGERNAUT



# DROPZONE

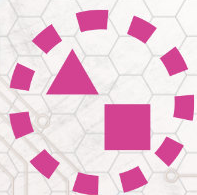
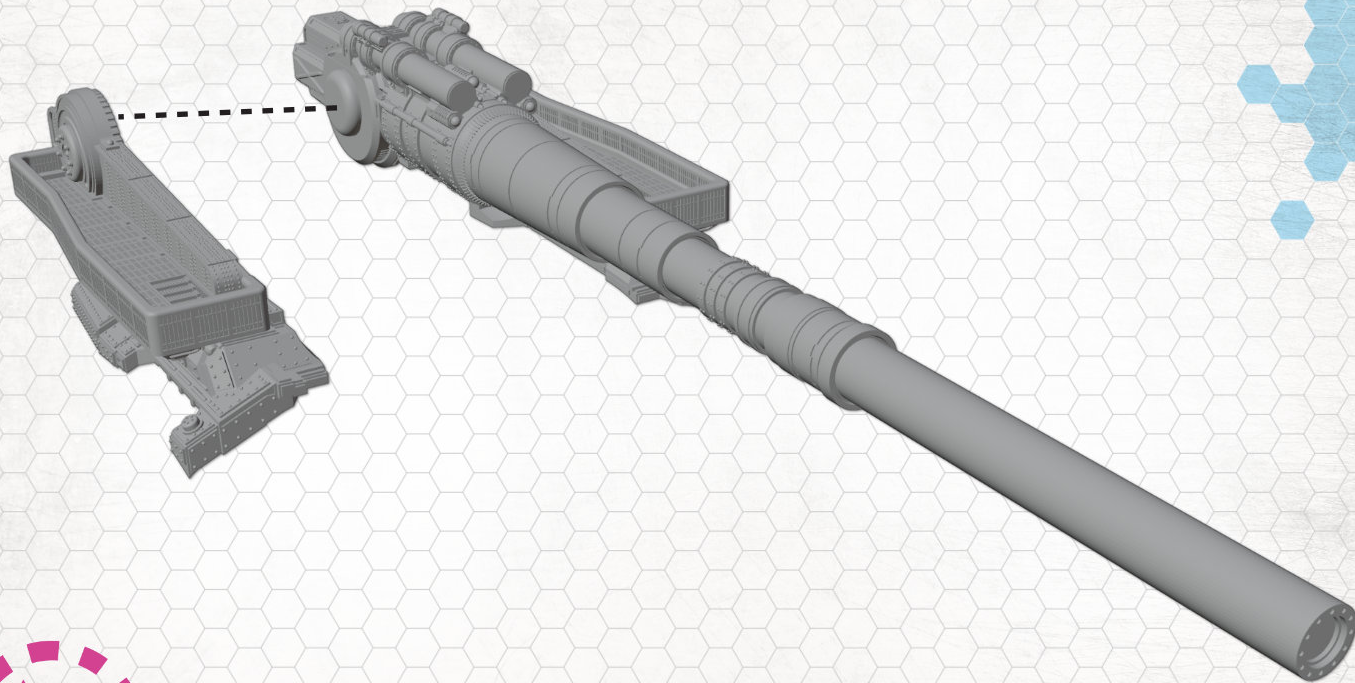
COMMANDER

## RESISTANCE BEHEMOTH



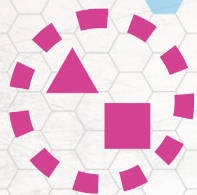
# JUGGERNAUT

**DROPZONE**  
COMMANDER  
RESISTANCE  
BEHEMOTH





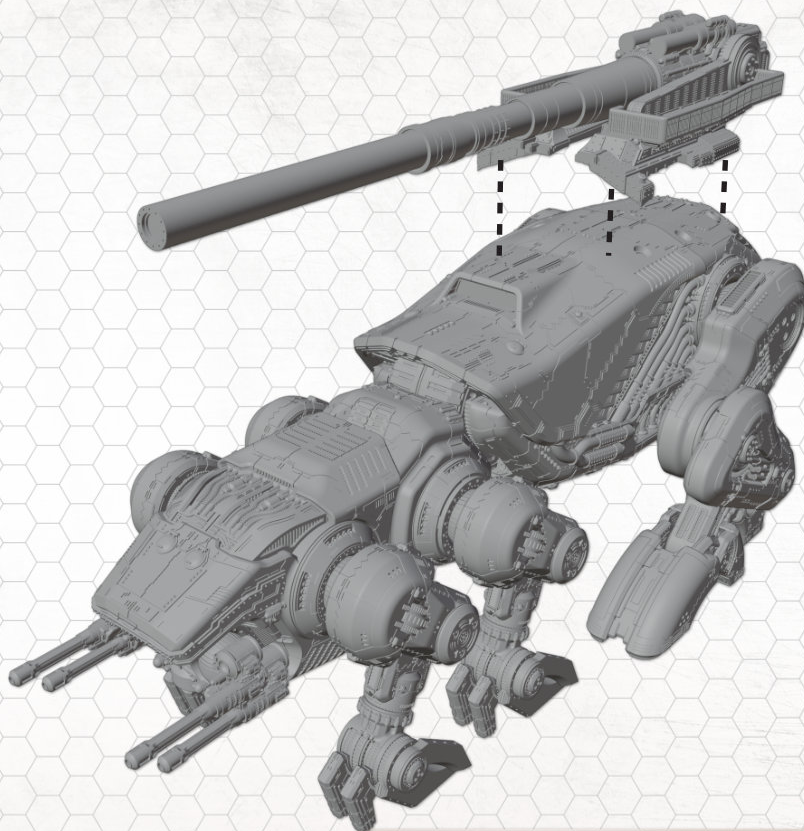
# JUGGERNAUT



**DROPZONE**

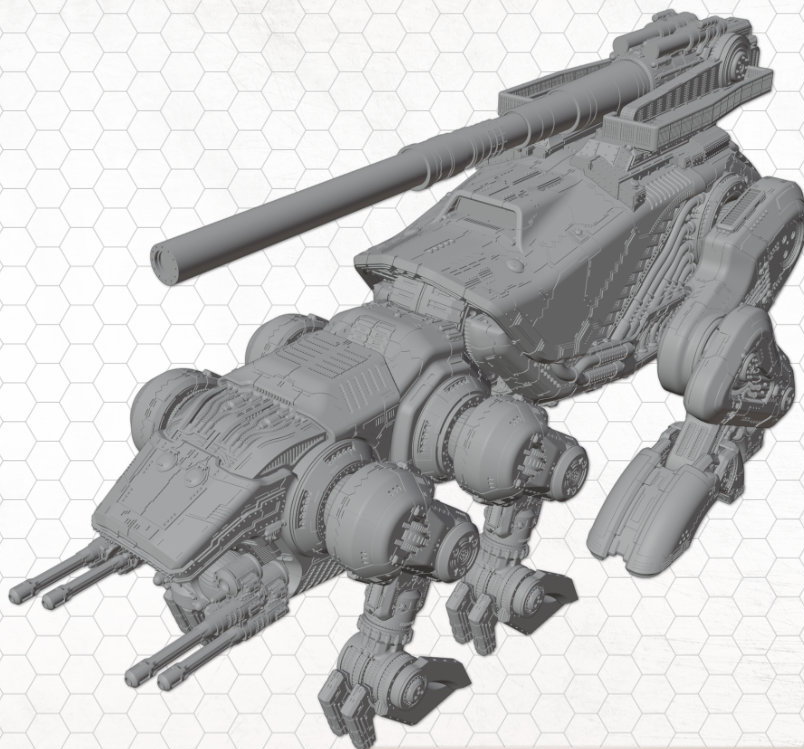
COMMANDER

RESISTANCE  
BEHEMOTH



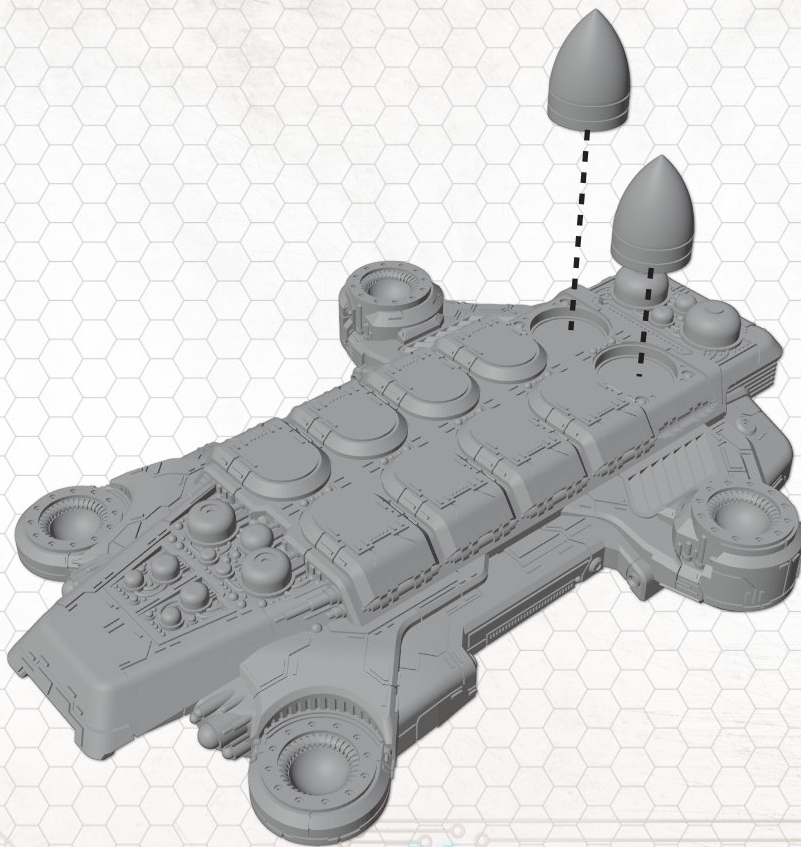
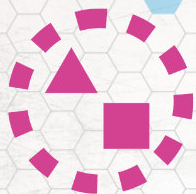
# JUGGERNAUT

**DROPZONE**  
COMMANDER  
RESISTANCE  
BEHEMOTH

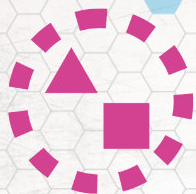




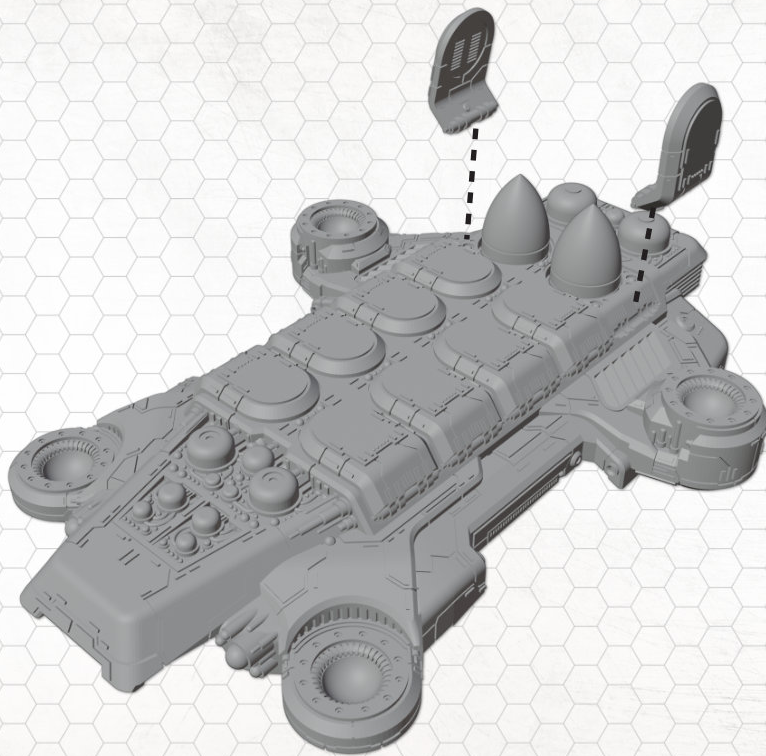
# COLOSSUS



# COLOSSUS

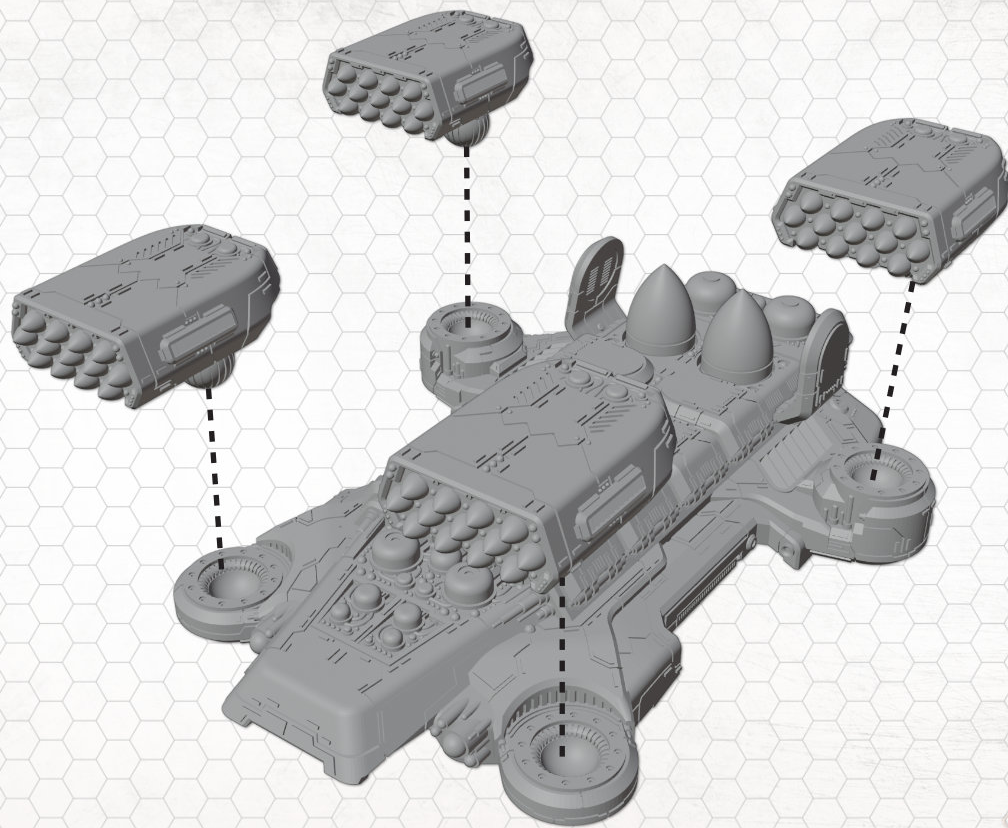
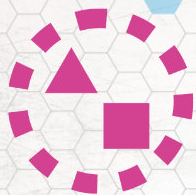


**DROPZONE**  
COMMANDER  
**RESISTANCE**  
**BEHEMOTH**

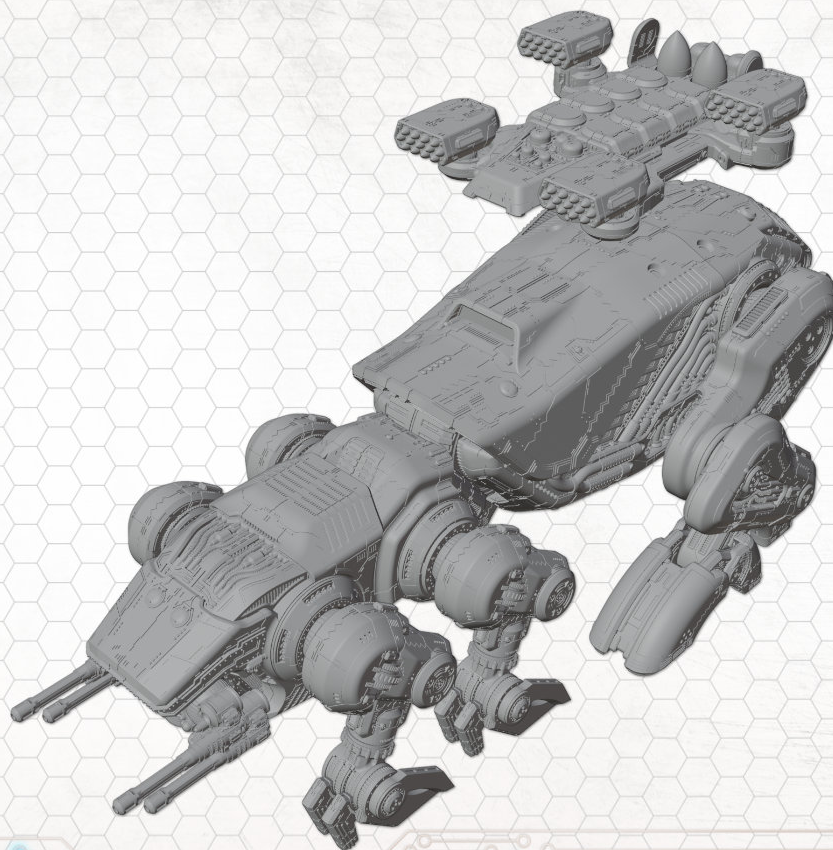




# COLOSSUS



# COLOSSUS



**DROPZONE**  
COMMANDER  
RESISTANCE  
BEHEMOTH



# COLOSSUS

**DROPZONE**

COMMANDER

RESISTANCE  
BEHEMOTH

