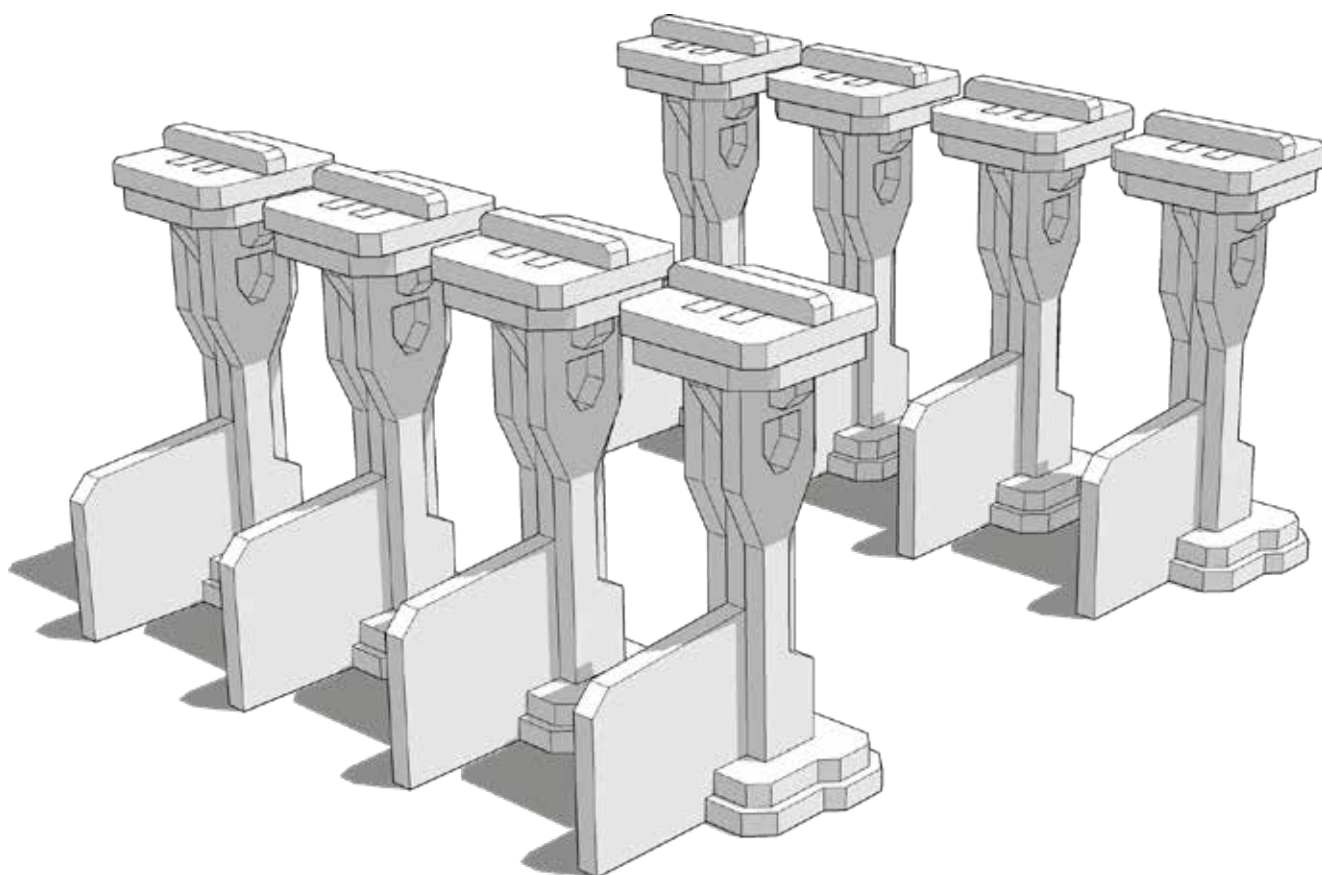




**TABLETOP
SCENICS**

TTSCW-SFU-132
Cashstack:
Block legs



 **TTCOMBAT**



TABLETOP SCENICS

TTSCW-SFU-132
Cashstack:
Block legs

2

These are a series of icons that may be used throughout the instructions to help your assembly.
If in doubt, scroll ahead to confirm.



Do not glue this part



Carefully score and
fold this part



This part - or its placement is
completely optional



Look closely at this step -
The process order or part
used, may be specific



Repeat making this part
the specified number
of times



The next instruction step
will be the same assembly
so far, but from a different
angle



Sub-assembly complete.
This smaller construction
is ready to add to the
main kit



Assembly Complete! There
could be more optional
parts - check to the very end
of instructions



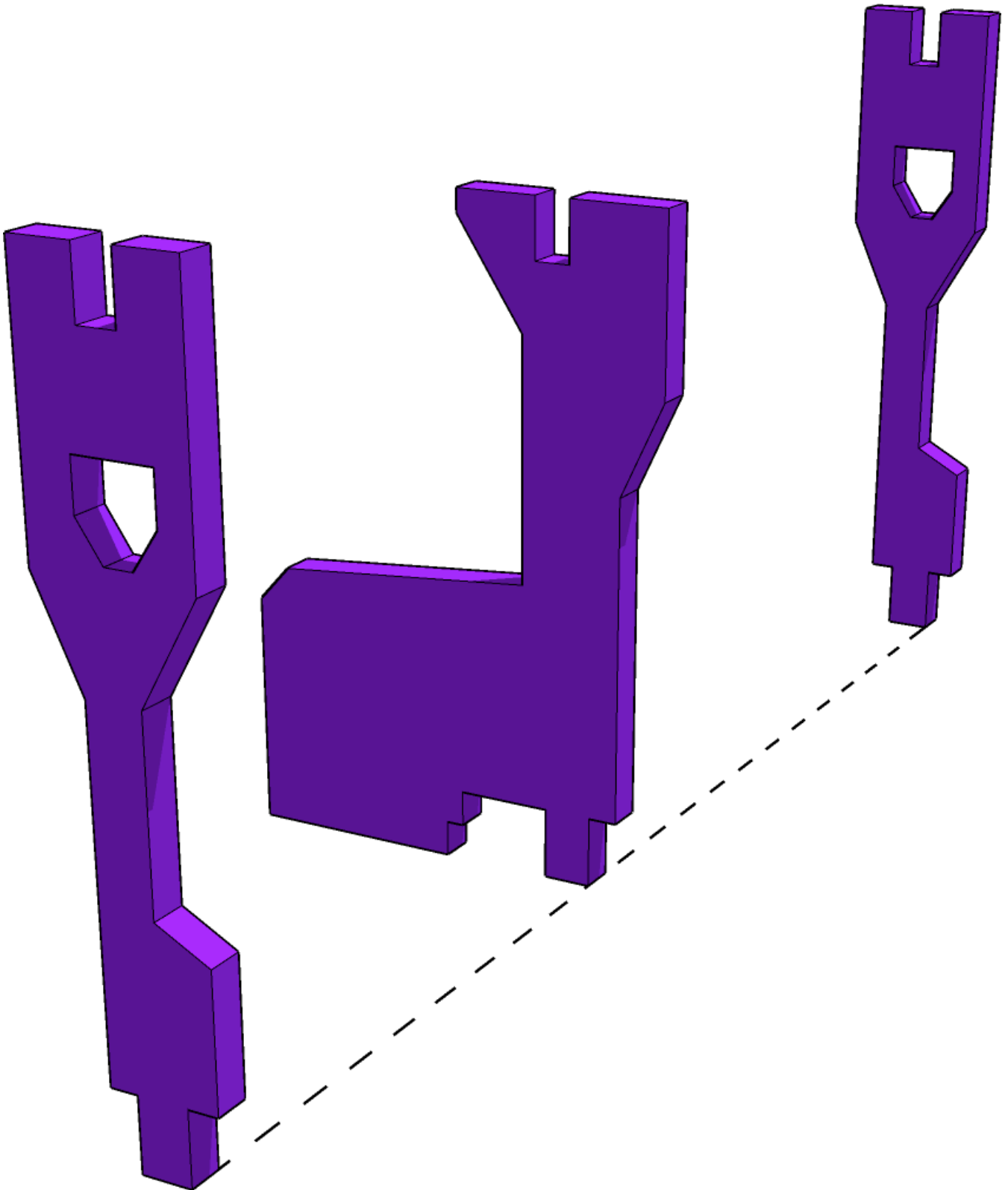
FRAGILE: DO NOT BEND.
“Bendy wood” is designed to
curve around a designed
frame only.



TABLETOP SCENICS

TTSCW-SFU-132
Cashstack:
Block legs

3

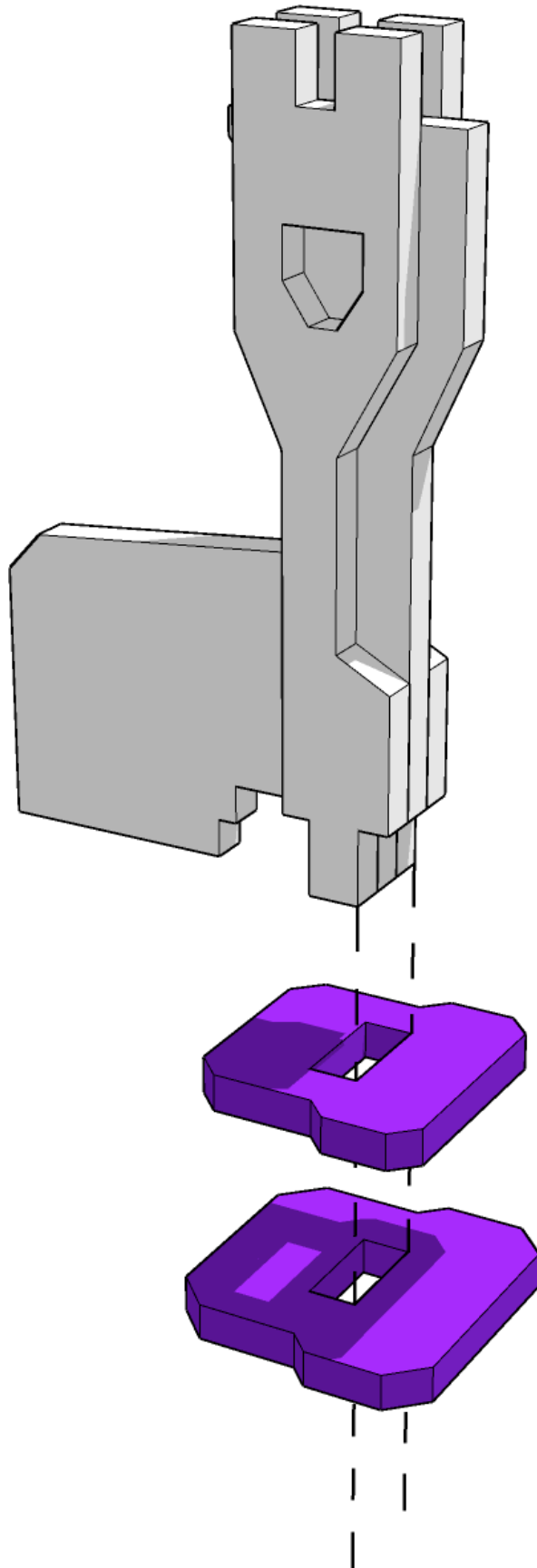




TABLETOP SCENICS

TTSCW-SFU-132
Cashstack:
Block legs

4

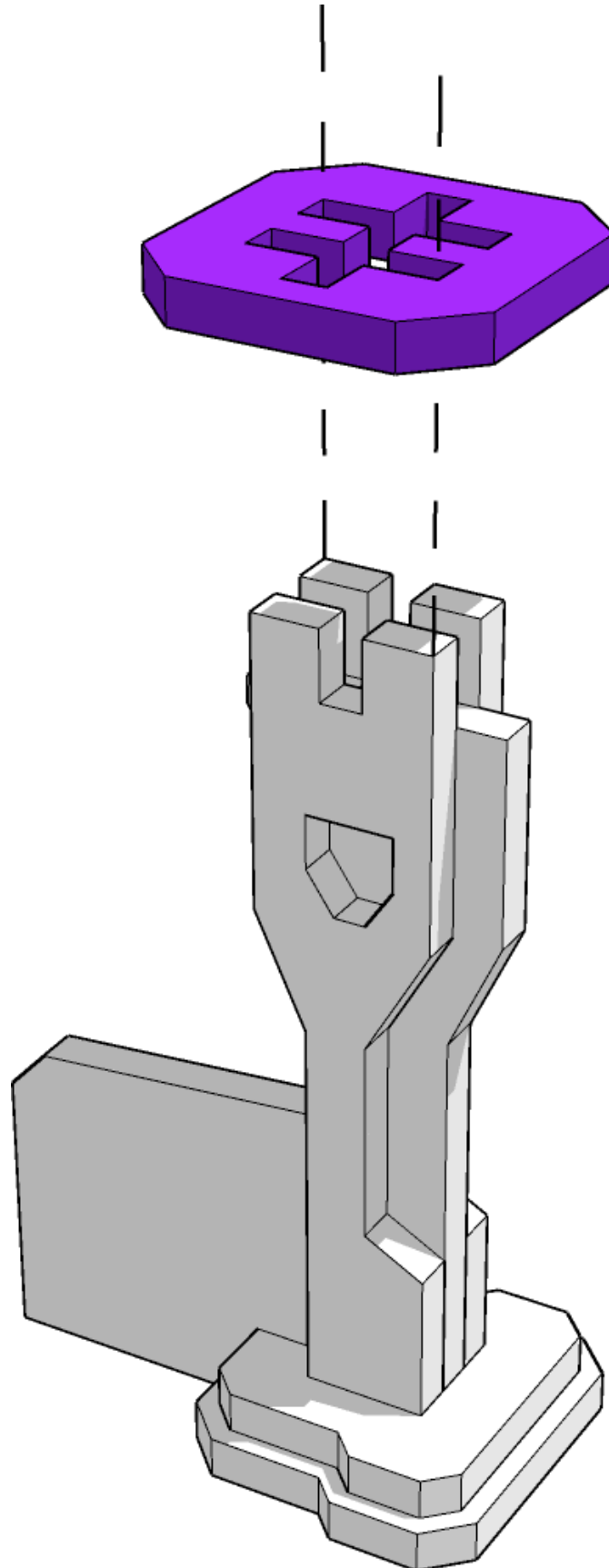




TABLETOP SCENICS

TTSCW-SFU-132
Cashstack:
Block legs

5

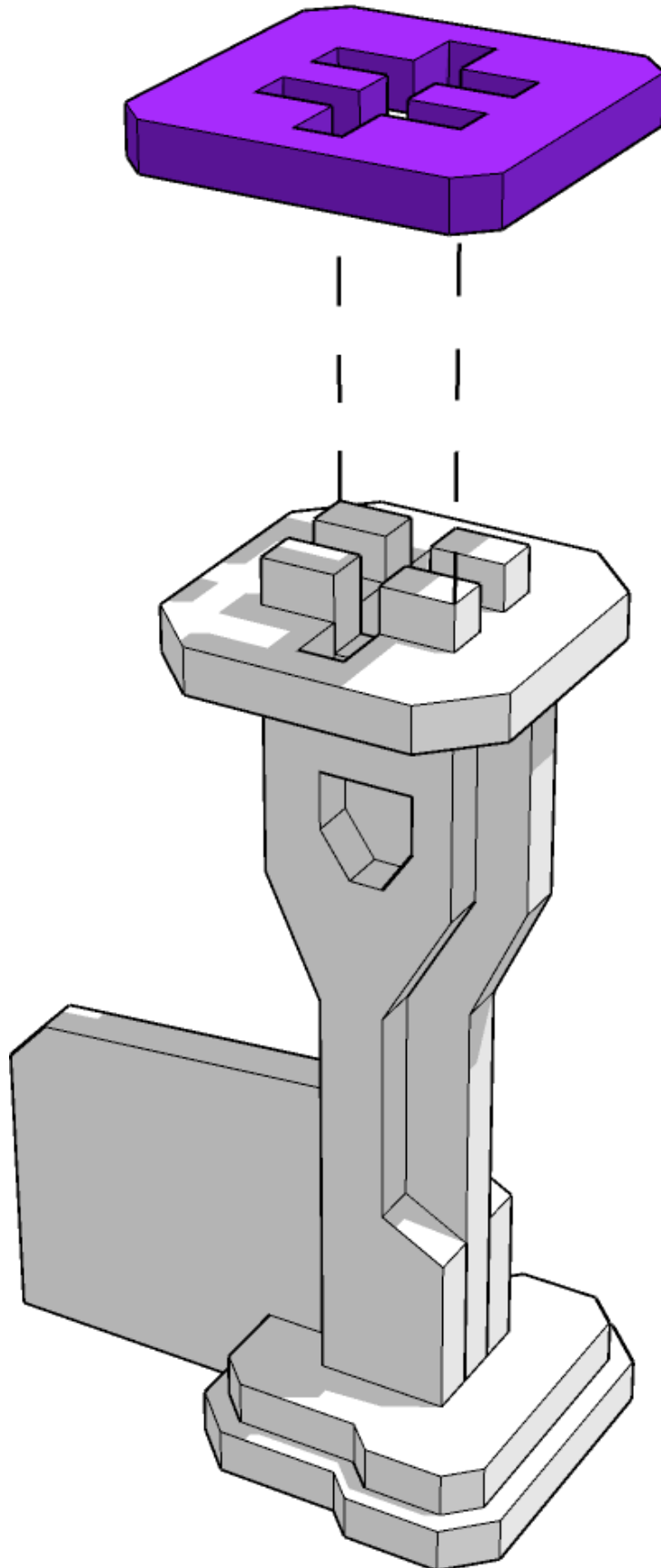




TABLETOP SCENICS

TTSCW-SFU-132
Cashstack:
Block legs

6

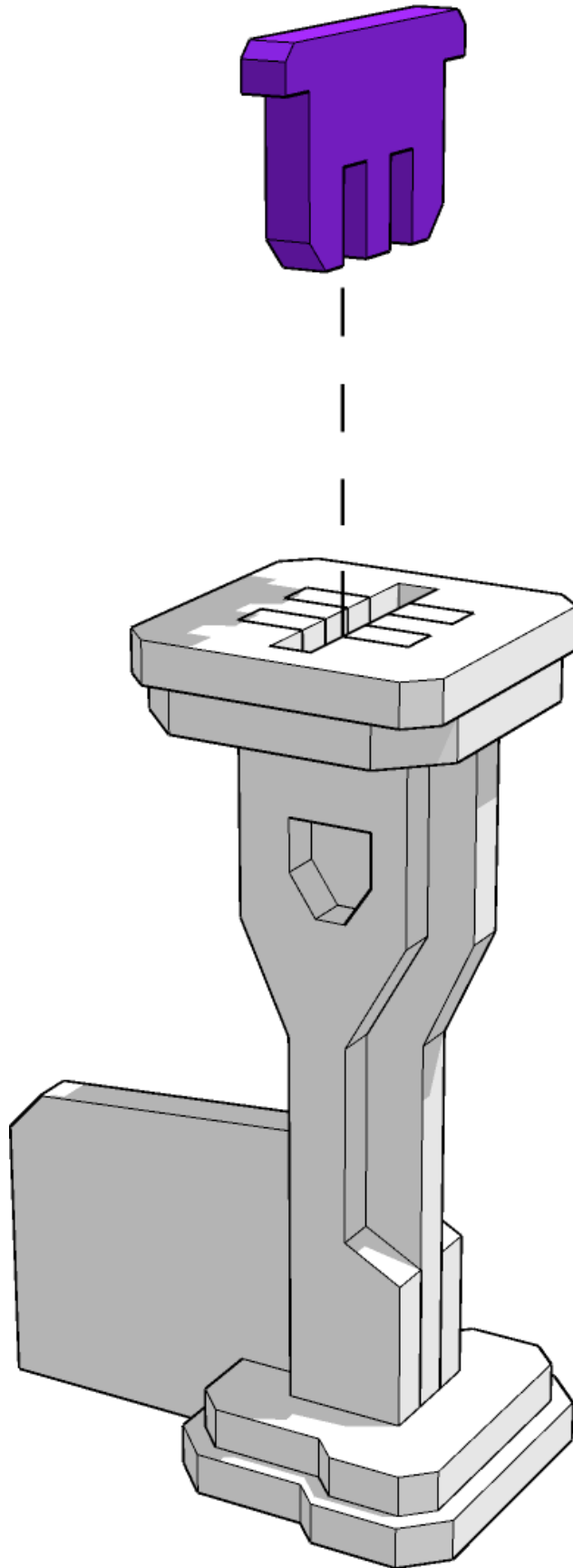




TABLETOP SCENICS

TTSCW-SFU-132
Cashstack:
Block legs

7

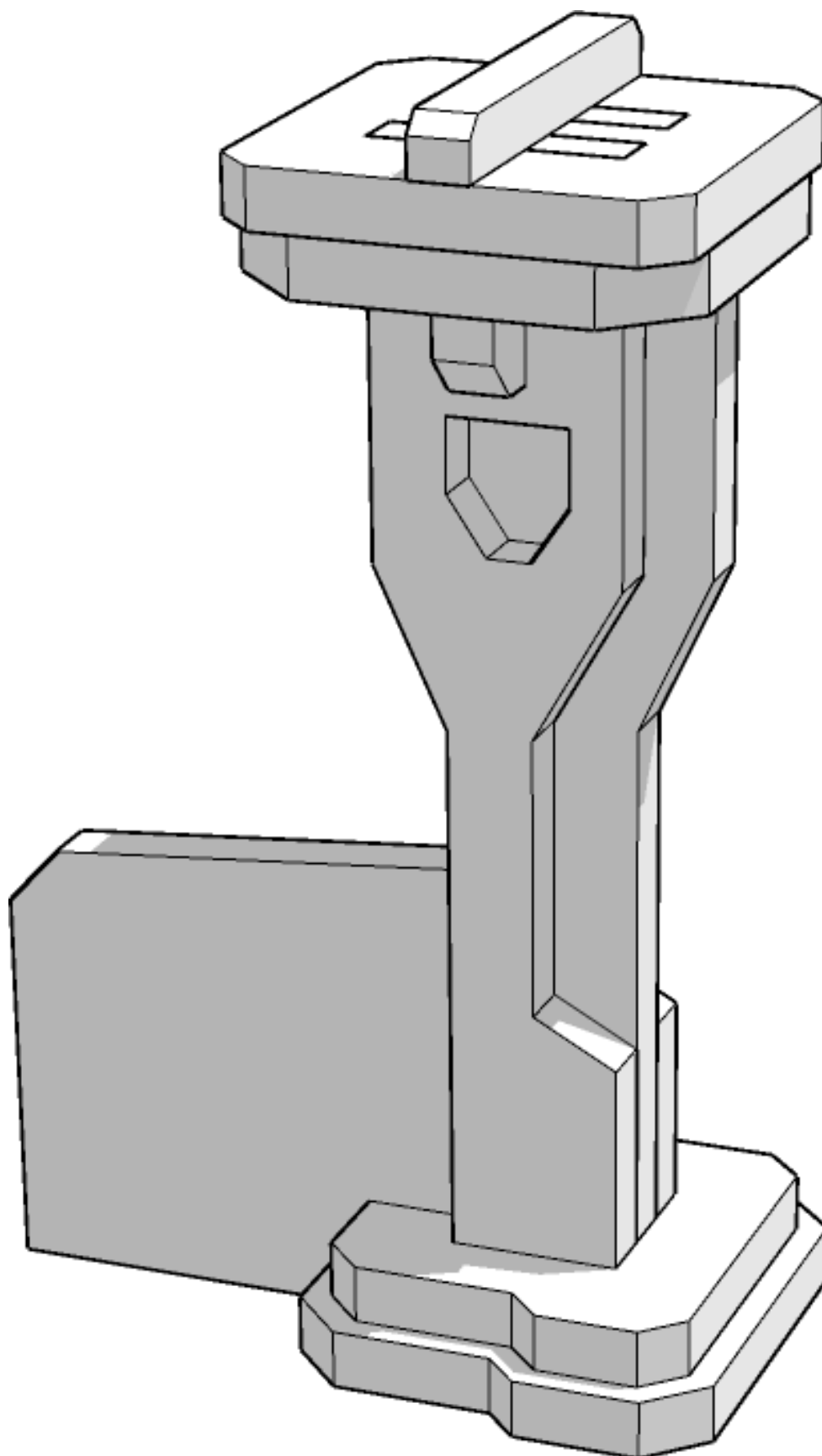




TABLETOP SCENICS

TTSCW-SFU-132
Cashstack:
Block legs

8

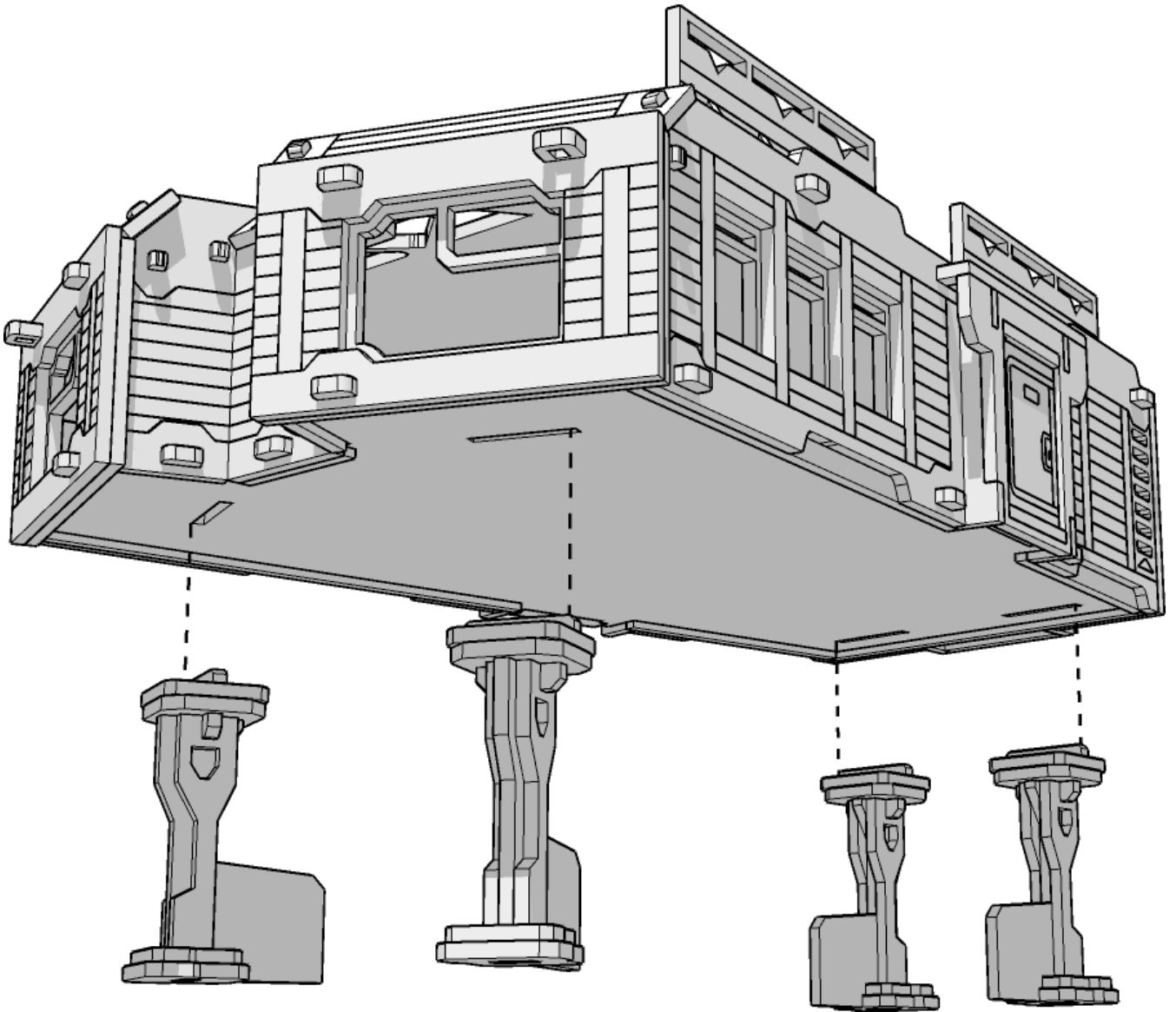




TABLETOP SCENICS

TTSCW-SFU-132
Cashstack:
Block legs

9

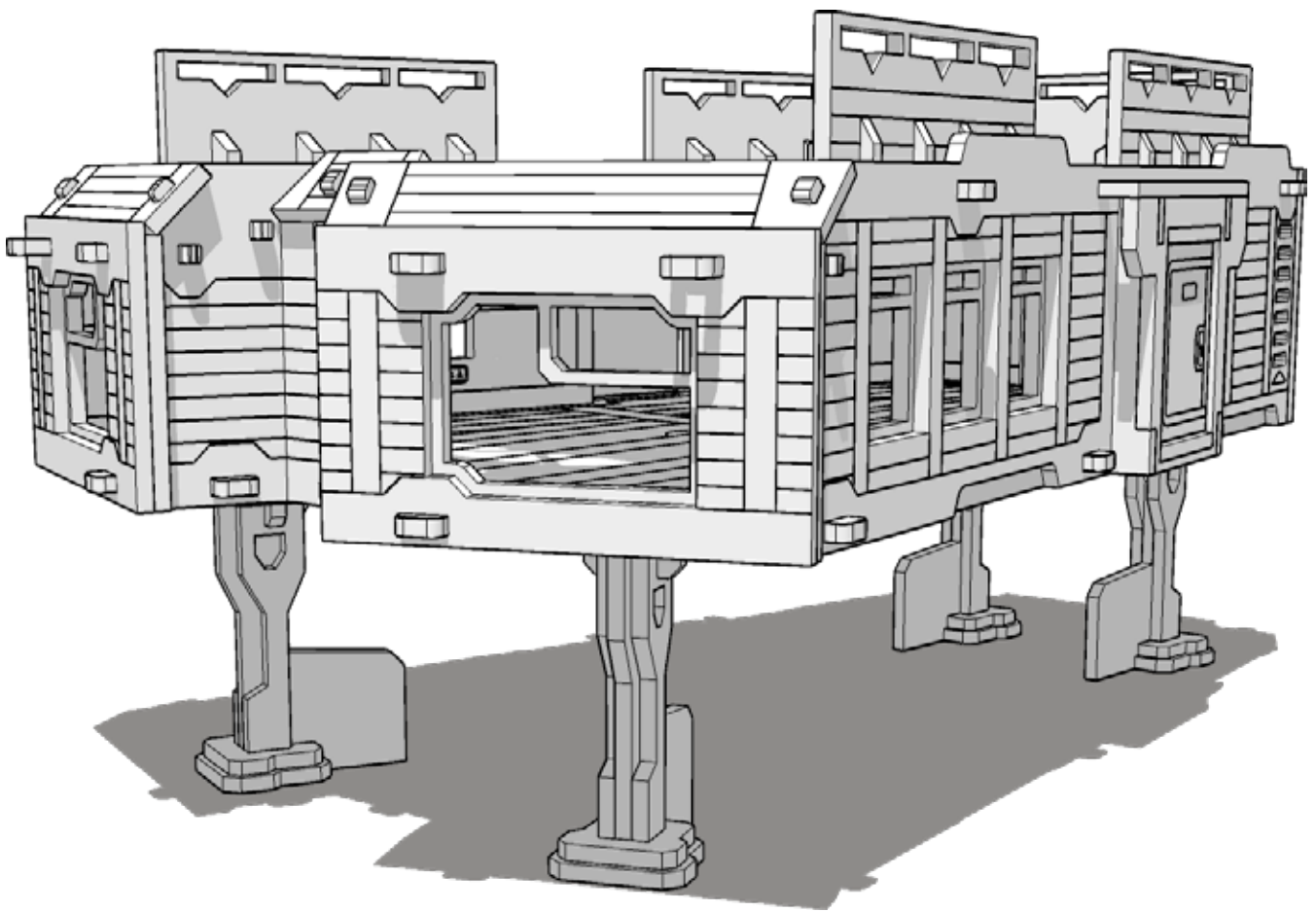




TABLETOP SCENICS

TTSCW-SFU-132
Cashstack:
Block legs

10



Legs can be used on large or demi block
Recommended to not glue into place to allow for alternative layouts

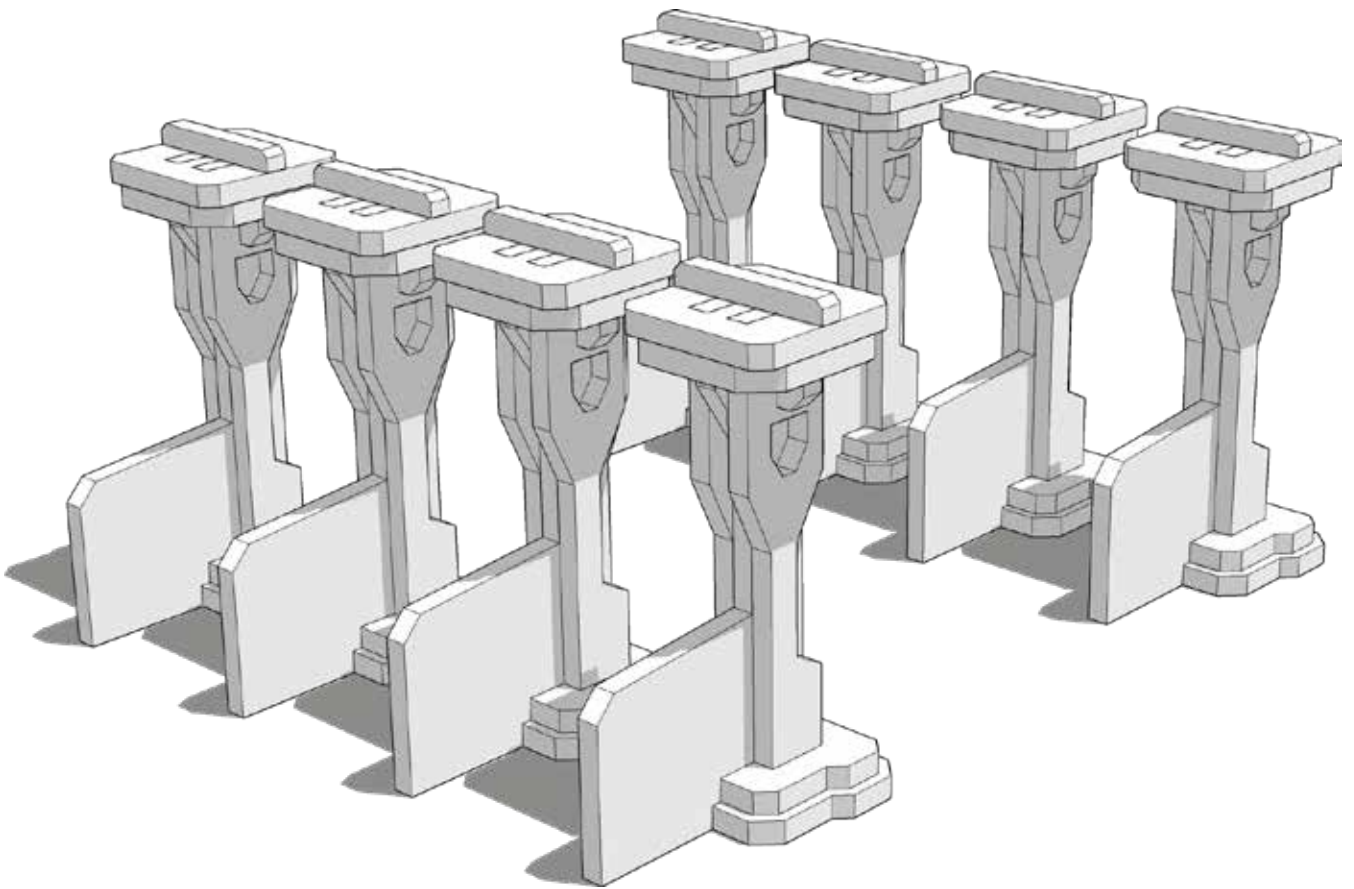




TABLETOP SCENICS

TTSCW-SFU-132
Cashstack:
Block legs

11



 **TTCOMBAT**