

**QUANTUM MEDIUM SERIES**

**Pull Out Kitchen Faucet**

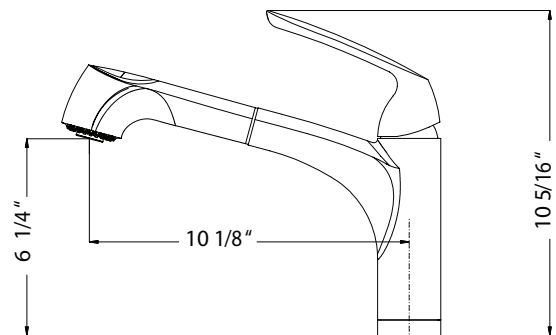
**Model** QUP0-2000-PC : Polished Chrome  
 QUP0-2000-BN : Brushed Nickel  
 QUP0-2000-OB : Oil Rubbed Bronze



QUP0-2000

**FEATURES**

- Solid brass body construction
- Lightweight pull out dual function spray/stream handspray
- Easy clean removable Aerator
- Extendable hose reaches all edges of sink and beyond. 20+ inches
- Ergonomic Ultrasmooth topmount handle
- Ceramic Disc Cartridge - Lifetime Warranty
- Available in 3 finish options
- Oversized deck mounting locknut for ease of installation
- Hybrid stainless steel and nylon hoses for increased durability and flexibility
- All HamatUSA faucets are ICC certified to meet or exceed US State and Federal plumbing codes and low lead safety standards
- Limited Lifetime Warranty



**AVAILABLE FINISHES**

HAMATUSA has a wide range of finish options, utilizing various technologies: fully automated polishing and brushing plating line, electrostatic powder coating line, and PVD capabilities that allow for a vast range of different finishes such as metallic, brass, pewter, copper and practically any other finish possible.



Polished Chrome



Brushed Nickel



Oil Rubbed Bronze

Project/Job name \_\_\_\_\_

Architect/Engineer \_\_\_\_\_

Contractor \_\_\_\_\_

Model \_\_\_\_\_ Q'ty \_\_\_\_\_

Notes \_\_\_\_\_