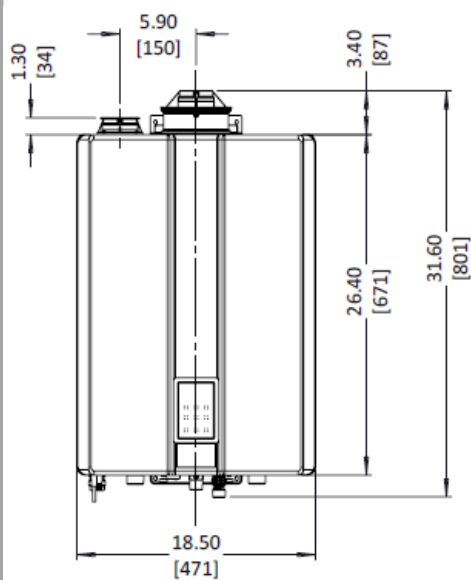




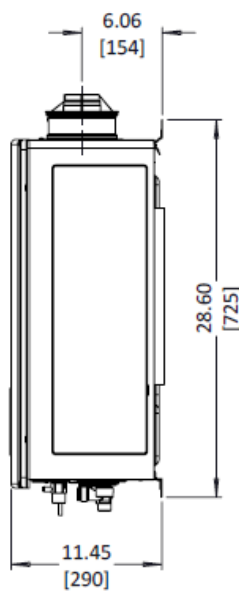
DIMENSIONS

Measurements: in. (mm)

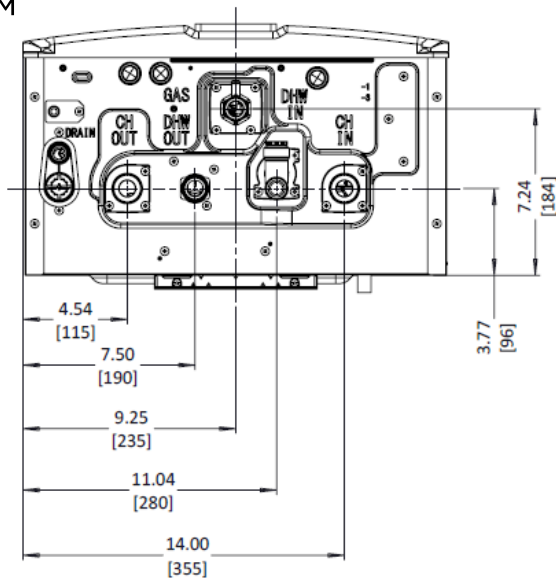
FRONT



SIDE



BOTTOM



CONDENSING WALL-MOUNTED, GAS-FIRED COMBI BOILER (CENTRAL HEATING AND DOMESTIC HOT WATER)

Models	i060C, i090C, i120C
Appliance	Wall-Mounted, Gas-Fired Combi Boiler
Installation	Indoor
Gas Type	Natural Gas (or Propane with included field conversion kit)
Standard Features	<ul style="list-style-type: none"> • Factory Installed Pump • Outdoor Reset Control System with Sensor • Simultaneous DHW and Heating Capability • Built-in DHW Plate Heat Exchanger • Modulating Stainless Steel Mesh Burner • Stainless Steel Water Tube Heat Exchanger • Direct Vent Sealed Combustion • Approved for Room Air and Closet Installations

Included with Boiler Purchase	<ul style="list-style-type: none"> • Propane Field Conversion Kit • Wall Mounting Bracket • CH Pressure Relief Valve (30 PSI) • Outdoor Temperature Sensor • Integrated Vent Adapter for 2 in. PVC, PP and 3 in. x 5 in. Concentric Venting • Documentation: Installation and Operation Manual, User Manual, and Technical Data Sheet
--------------------------------------	---

Accessories	Primary-Secondary Heating Kit (PN: 807000212), Condensate Neutralizer (PN: 804000074), ScaleCutter (PN: 103000038), DHW Isolation Valve Kit (PN: MIVK-T-LW), and Temperature Controller (PN: MC-601)
--------------------	---

Venting Options	<ul style="list-style-type: none"> • Direct Vent (Concentric and Twin Pipe) • Room Air • Ubbink Flex Vent • Materials: Polypropylene, Stainless Steel, PVC, CPVC <p>Refer to the "Rinnai I-Series Boiler Installation and Operation Manual" for approved venting.</p>
------------------------	---

Maximum Equivalent Vent Lengths

Concentric, Twin Pipe, and Room Air:

Vent Sizes	<ul style="list-style-type: none"> • 2 in. PVC • 2 in. (60 mm) PP • 2 in. x 4 in. Concentric 	<ul style="list-style-type: none"> • 3 in. PVC • 3 in. (80 mm) PP • 3 in. x 5 in. Concentric
Maximum Vent Lengths	65 ft (20 m)	150 ft (46 m)

Ubbink Flex:

Vent Sizes	2 in. PP
Maximum Vent Lengths	50 ft (15 m)

45° elbow equivalent to 3 ft (1 m). 90° elbow equivalent to 6 ft (2 m).



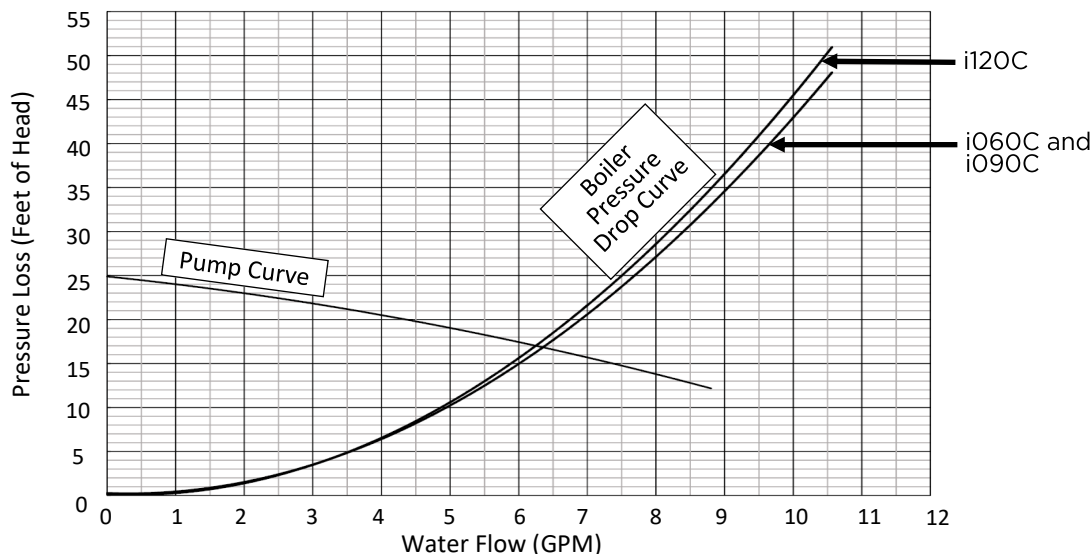
CERTIFIED TO ANSI Z21.13 – CSA 4.9

TECHNICAL SPECIFICATIONS

Model		i060C	i090C	i120C
Dimensions - w, h, d	Unit	18.5 in. x 26.4 in. x 10.9 in. (471 mm x 671 mm x 276 mm)		
	Shipping	21.7 in. x 33.5 in. x 14.6 in. (552 mm x 852 mm x 370 mm)		
Weight	Unit	73.0 lb (33 kg)		76.1 lb (34.5 kg)
	Shipping	79.4 lb (36 kg)		82.7 lb (37.5 kg)
Appliance Type		Wall-Mounted, Gas-Fired Combi Boiler		
Installation Type		Indoor		
Ignition System		Direct Electronic Ignition		
Heat Exchanger Surface Area		9.3 sq ft		10.9 sq ft
Gas Consumption (Btu/hr)	Minimum	15,000		
	Maximum (CH)	60,000	90,000	120,000
	Maximum (DHW)	160,000		
Heating Capacity		57,000	84,000	112,000
DHW Specification	Minimum Activation Flow Rate	0.4 GPM (1.5 L/min)		
	Minimum Operation Flow Rate	0.26 GPM (1.0 L/min)		
	Maximum Flow Rate	7.9 GPM (30 L/min)		9.8 GPM (37 L/min)
	Flow Rate at 70°F (39°C) rise	4.1 GPM (15 L/min)		5.1 GPM (19 L/min)
Temperature Setting	CH	(Minimum - Maximum) 104°F - 180°F (40°C - 82°C)		
	DHW	(Minimum - Maximum) 98°F - 140°F (37°C - 60°C)		
Water Content	CH	0.75 gal		0.88 gal
	DHW	0.05 gal		
Water Pressure	CH	Minimum: 13 PSI (90 kPa) Maximum: 45 PSI (310 kPa) Recommended: 17-26 PSI (117-180 kPa)		
	Pressure Relief Valve for CH (included with system)	30 PSI (207 kPa)		
	DHW	Minimum: 10 PSI (69 kPa) / Maximum: 150 PSI (1,034 kPa) (Recommend 10-80 PSI for maximum performance)		
Grundfos Pump Model		Grundfos UPS 15-78		
Sound Level		CH: 42 dB(A) DHW: 44 dB(A)		CH: 42 dB(A) DHW: 47 dB(A)
Electrical Data	Normal (CH)	144 W	158 W	158 W
	Normal (DHW)	174 W	174 W	194 W
	Standby	4 W		
	Max Current	6 Amps		
	Fuse	10 Amps x 2		
Gas Supply Pressure ¹	NG	3.5 in. - 10.5 in. W.C. (0.87 - 2.61 kPa)		
	Propane	8.0 in. - 13.5 in. W.C. (1.99 - 3.36 kPa)		
Electric Connections		AC 120 Volts, 60 Hz		
Heating Turndown Ratio (NG and Propane)		4.0:1	6.0:1	8.0:1
DHW Turndown Ratio (NG and Propane)		10.7:1	10.7:1	13.3:1
AFUE		95.1	95.9	95.5
Certifications		ANSI Z21.13, CSA 4.9, ASME		

¹ The maximum gas supply pressure must not exceed the value specified by the manufacturer.

PRESSURE DROP AND WATER FLOW CURVE



FEATURES

■ Faster, Easier Installation

- Compact and lightweight design
- Convenient mounting bracket
- NPT threads for connection points
- More flexible venting options
- Simple control setup and commissioning
- DHW mixing valve not required by manufacturer

■ Clearances

- Top: 2 in. (51 mm)*
 - Bottom: 12 in. (305 mm)
 - Front: 6 in. (152 mm)**
 - Back: 0 in.
 - Sides: 2 in. (51 mm)
 - Vent Adapter and Components: 0 in.
- * 6 in. (152 mm) for closet installations.
** Clearance for servicing is 24 in. (610 mm) in front of boiler.

■ Warranty

Residential:

- Heat Exchanger: 12 Years
- All Other Parts/Components: 2 Years
- Labor: 1 Year

Commercial:

- Heat Exchanger: 5 Years
- All Other Parts/Components: 2 Years
- Labor: 1 Year

■ Important

- Boiler is required to be installed with primary/secondary hydraulic separation.

DHW = Domestic Hot Water
CH = Central Heating
PRV = Pressure Relief Valve

Rinnai America Corporation
103 International Drive, Peachtree City, GA 30269
1-800-621-9419
rinnai.us
©2019 Rinnai America Corporation. Rinnai America Corporation continually updates materials, and as such, content is subject to change without notice. Local, state, provincial, federal and national fuel gas codes must be adhered to prior to and upon installation.