

**NOTICE TO INSTALLER: Instructions must remain with installation.**

FM3281  
0920  
Supersedes  
NEW

Trusted. Tested. Tough®

Product information presented here reflects conditions at time of publication. Consult factory regarding discrepancies or inconsistencies.



**60 Hz**

[www.zoellerpumps.com](http://www.zoellerpumps.com)

Register your  
Zoeller Pump Company  
Product on our website:  
<http://reg.zoellerpumps.com/>

**QWIK JON® CHOICE 200 SYSTEM  
INSTALLATION INSTRUCTIONS  
PREINSTALLATION CHECKLIST**

DATE INSTALLED:
MODEL NUMBER:

1. Inspect all materials. Occasionally, products are damaged during shipment. If the unit is damaged, contact your dealer before using. **DO NOT** remove the test plugs from the pump.
2. Carefully read all the literature provided to familiarize yourself with specific details regarding installation and use. These materials should be retained for future reference.



**WARNING**

SEE BELOW FOR LIST OF WARNINGS

1. To reduce the risk of electrical shock, a properly grounded receptacle or control box must be installed in accordance with the governing codes. Never remove ground pin from plug.
2. Make certain that the ground fault interrupter protected receptacle or control box is within the reach of the pump's power supply cord. **DO NOT USE AN EXTENSION CORD.** Extension cords that are too long or too light do not deliver sufficient voltage to the pump motor, and they could present a safety hazard if the insulation were to become damaged or the connection end were to fall into a damp or wet area.
3. Make sure the pump's electrical supply circuit is equipped with fuses or circuit breakers of proper capacity. A separate branch circuit is recommended, sized according to the governing electrical codes for the current shown on the pump name plate.
4. **Testing for ground.** As a safety measure, each electrical outlet should be checked for ground using an Underwriters Laboratory Listed circuit analyzer which will indicate if the power, neutral and ground wires are correctly connected to your outlet. If they are not, call a qualified licensed electrician.
5. **FOR YOUR PROTECTION, ALWAYS DISCONNECT PUMP FROM ITS POWER SOURCE BEFORE HANDLING.** If pump is wired direct, de-energize the circuit at the control box. **DO NOT, UNDER ANY CIRCUMSTANCES, REMOVE THE GROUND PIN.** Wear insulated protective shoes and do not stand in water. Certain plug types may include a 3-prong ground plug to help protect against electrical shock. A properly grounded 3-prong receptacle or control box must be installed in accordance with governing codes.
6. Installation and servicing of the pump's electrical circuits and hardware should only be performed by a qualified licensed electrician.
7. Installation and maintenance of this appliance is not intended for persons (including children) with reduced physical, sensory or mental capabilities, or lack of experience or knowledge, unless they have been given supervision or instruction concerning use of the appliance by a person responsible for their safety.
8. **Risk of electrical shock.** Do not remove power supply cord and strain relief or connect conduit directly to the pump. If the supply cable is damaged, it must be replaced by an authorized Zoeller Representative.
9. Pump contains oil which becomes pressurized and hot when operating. Allow 2-1/2 hours after disconnecting before attempting service.
10. Pump is not intended for potable water due to possible contamination by oil contained in the pump.
11. **Risk of electrical shock.** These pumps have not been investigated for use in swimming pools and marine areas.
12. Prop65 Warning for California residents: Cancer and Reproductive Harm - [www.P65Warnings.ca.gov](http://www.P65Warnings.ca.gov).

**SAFETY INSTRUCTIONS**

**TO AVOID SERIOUS OR FATAL PERSONAL INJURY OR MAJOR PROPERTY DAMAGE, READ AND FOLLOW ALL SAFETY INSTRUCTIONS IN THIS MANUAL AND ON THE PUMP.**

**THIS MANUAL IS INTENDED TO ASSIST IN THE INSTALLATION AND OPERATION OF THIS UNIT AND MUST BE KEPT WITH THE PUMP.**



This is a **SAFETY ALERT SYMBOL.** Symbol on the pump or in the manual, look for one of the following signal words and be alert to the potential for personal injury or property damage.



**WARNING** Warns of hazards that **CAN** cause serious personal injury, death or major property damage.



**CAUTION** Warns of hazards that **CAN** cause personal injury or property damage.



Warns of electrical shock hazards that can cause serious personal injury, death or major property damage.



Identifies any terminal which is intended for connection to an external conductor for protection against electrical shock in case of a fault, or the terminal of a protective earth (ground) electrode.



Read operator's manual.

**THOROUGHLY REVIEW ALL INSTRUCTIONS AND WARNINGS PRIOR TO PERFORMING ANY WORK ON THIS PUMP. MAINTAIN ALL SAFETY DECALS.**

**REFER TO WARRANTY ON PAGE 2.**

P/N 084934

## **⚠ CAUTION**

### SEE BELOW FOR LIST OF CAUTIONS

1. This unit is not designed to handle any material other than human waste and toilet paper. The list of items that should not be used with this system includes, but is not limited to: feminine sanitary products, condoms, cotton balls and swabs, baby wipes, paper towels, etc.
2. Check to be sure your power source is adequate to handle the amperage requirements of the motor as indicated on the pump or unit I.D. tag.
3. All plumbing (discharge and carbon filter vent) must be installed to meet local codes. **Unit must be vented. Do not use an automatic plumbing vent device.**
4. Maximum operating temperature must not exceed 104 °F (40 °C).
5. Do not use cleaning products containing bleach in the toilet tank, toilet or attached fixtures as they will degrade the pump seals.
6. **This product is designed for use with one toilet only.**
7. Conductor color coding: Type 1 - Line (Brown), Neutral (Blue), Ground (Yellow / Green). Type 2 - Line (Black), Neutral (White), Ground (Green).
8. Prop65 Warning for California residents: Cancer and Reproductive Harm-[www.P65Warnings.ca.gov](http://www.P65Warnings.ca.gov).

## **⚠ NOTES**

### SEE BELOW FOR LIST OF NOTES

1. Repair and service should be performed by a Zoeller Authorized Service and Warranty Center. (Consult Factory.)
2. NOTE: Recommended for installations up to 20' (6 m) total dynamic head. Consult Factory if installation is above 15' (5 m) vertical height in 1" (DN25). The macerator pump is designed for use in Qwik Jon® Choice units only. It is not designed for use in any other application.
3. Pumps with the "cCSAus" mark and/or the "US" mark are tested to UL Standard UL778. Pumps with the "cCSAus" mark are certified to CSA Standard C22.2 No.108.
4. All fixtures connecting to the system must be on the same floor level.

## **LIMITED WARRANTY**

Manufacturer warrants, to the purchaser and subsequent owner during the warranty period, every new product to be free from defects in material and workmanship under normal use and service, when properly used and maintained, for a period of one year from date of purchase by the end user, or 18 months from date of original manufacture of the product, whichever comes first. Parts that fail within the warranty period, one year from date of purchase by the end user, or 18 months from the date of original manufacture of the product, whichever comes first, that inspections determine to be defective in material or workmanship, will be repaired, replaced or remanufactured at Manufacturer's option, provided however, that by so doing we will not be obligated to replace an entire assembly, the entire mechanism or the complete unit. No allowance will be made for shipping charges, damages, labor or other charges that may occur due to product failure, repair or replacement.

This warranty does not apply to and there shall be no warranty for any material or product that has been disassembled without prior approval of Manufacturer, subjected to misuse, misapplication, neglect, alteration, accident or uncontrolled weather event; that has not been installed, operated or maintained in accordance with Manufacturer's installation instructions; that has been exposed to outside substances including but not limited to the following: sand, gravel, cement, mud,

tar, hydrocarbons, hydrocarbon derivatives (oil, gasoline, solvents, etc.), or other abrasive or corrosive substances, wash towels or any other abusive entity, etc. in all pumping applications. The warranty set out in the paragraph above is in lieu of all other warranties expressed or implied; and we do not authorize any representative or other person to assume for us any other liability in connection with our products.

Contact authorized distributors to obtain any needed repair or replacement of part(s) or additional information pertaining to our warranty.

**MANUFACTURER EXPRESSLY DISCLAIMS LIABILITY FOR SPECIAL, CONSEQUENTIAL OR INCIDENTAL DAMAGES OR BREACH OF EXPRESSED OR IMPLIED WARRANTY; AND ANY IMPLIED WARRANTY OF FITNESS FOR A PARTICULAR PURPOSE AND OF MERCHANTABILITY SHALL BE LIMITED TO THE DURATION OF THE EXPRESSED WARRANTY.**

Some jurisdictions do not allow limitations on the duration of an implied warranty, so the above limitation may not apply to you. Some jurisdictions do not allow the exclusion or limitation of incidental or consequential damages, so the above limitation or exclusion may not apply to you.

This warranty gives you specific legal rights and you may also have other rights which vary from jurisdiction to jurisdiction.

**In instances where property damages are incurred as a result of an alleged product failure, the property owner must retain possession of the product for investigation purpose.**

## **HELPFUL HINTS FOR EASY INSTALLATION**

1. Read all instructions before beginning installation.
2. Be sure the floor is level within 1/8" (3 mm).
3. Install vent pipe seal with flange side of seal on the outside of lid.
4. Use soapy water to lubricate all seals to aid installation.
5. Install rubber coupling/union in vent line to aid disassembly.
6. Do not over torque toilet mounting screws.
7. Do not use an automatic plumbing vent device.
8. Obtain model number and date code, and record information in the space provided on the front of this manual. Refer to this information when calling the factory. Register your product online using the Product Registration information provided on ZT0450\_Ec.

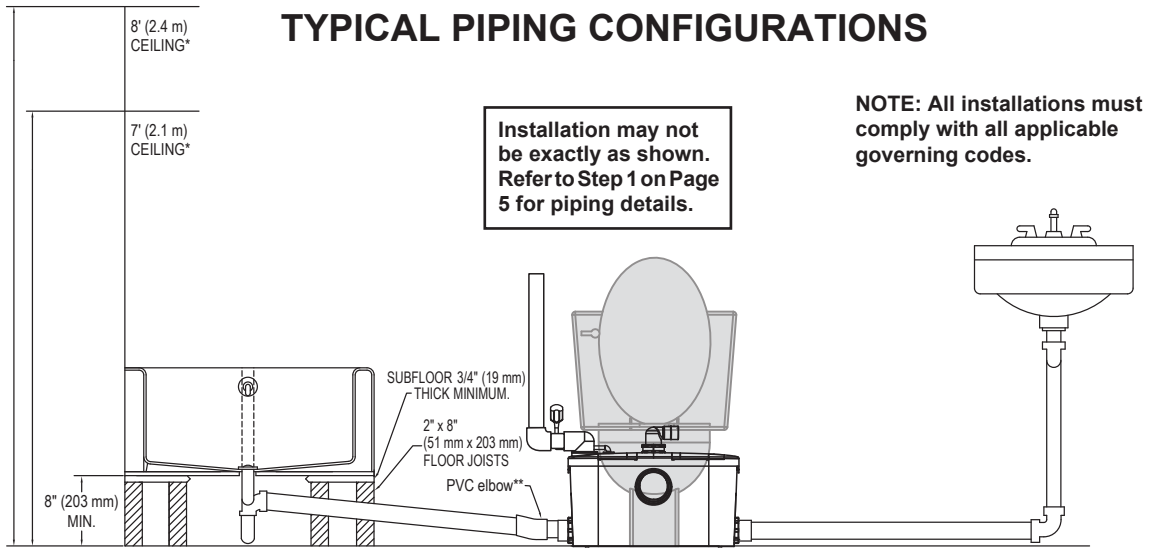
## **DO'S AND DON'T'S FOR INSTALLING A UNIT**

1. DO read all installation material with the unit.
2. DO inspect unit for any visible damage caused by shipping. Contact dealer if unit appears to be damaged.

## **DO'S AND DON'T'S, *continued***

3. DO clean all visible debris from the unit.
4. DO always lift the unit by the built-in handles.
5. DO always disconnect pump from power source before handling. DO always connect to a separately protected and properly grounded ground fault protected circuit. DO NOT ever cut, splice or damage power cord. DO NOT carry or lift pump by its power cord. DO NOT use an extension cord.
6. DO install a ball or gate valve and a union in the discharge line downstream of the check valve.
7. DO test pump immediately after installation to be sure that the system is working properly.
8. DO review all applicable local and national codes and verify that the installation conforms to each of them.
9. We DO NOT recommend this product be connected to utilities other than those found in a normal bathroom application. Washing machines and dishwashers are examples of equipment that we DO NOT recommend.
10. DO inspect and test system for proper operations at least every 3 months.

# TYPICAL PIPING CONFIGURATIONS

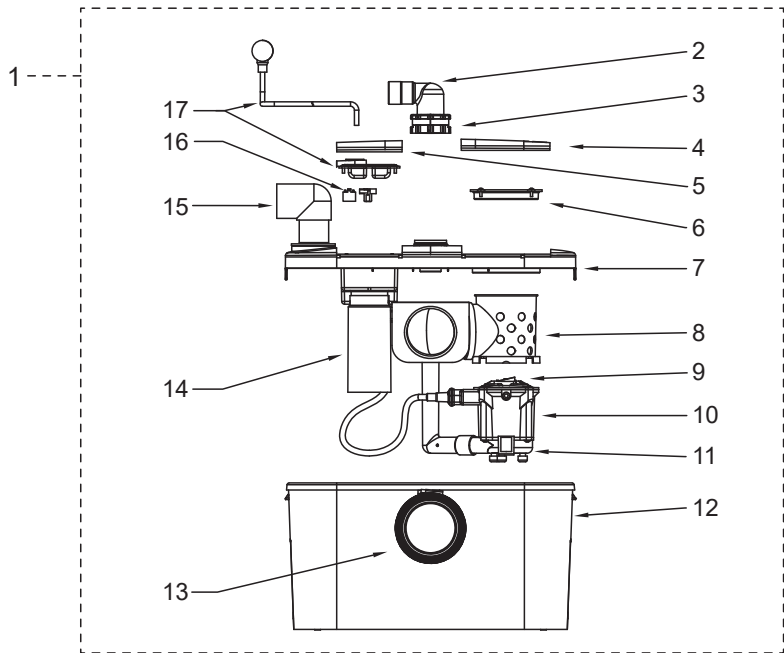


Installation may not be exactly as shown. Refer to Step 1 on Page 5 for piping details.

NOTE: All installations must comply with all applicable governing codes.

\*Ceiling heights shown for reference only.  
\*\*Option: hose with clamp.

## SERVICE PARTS



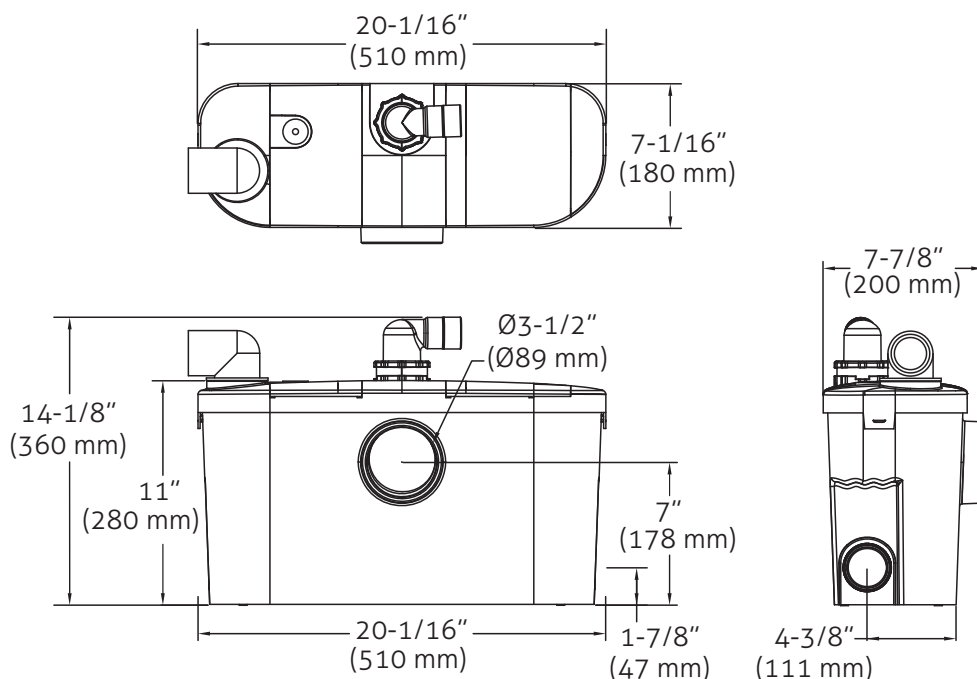
Item	Description	Repair Kit or Part Number
1	Qwik Jon® Choice Sewage Removal System	200-0006
2	Outlet Pipe Assembly Repair Kit	084839
3	Check Valve Assembly Repair Kit	084854
4	Decorative Cover of the Pump Repair Kit	084855
5	Decorative Cover of the Junction Box Repair Kit	084856
6	Pump Repair Cover Repair Kit	084846
7	Tank Cover Repair Kit	084847
8	Filter Basket and Inlet Elbow Pipe Repair Kit	084848
9	Cutter Set Repair Kit	084844
10	Pump, Discharge Elbow Pipe, and Volute Repair Kit	084852
11	Volute, Discharge Elbow Pipe, Foot Pads, Securing Pads, and Screws Repair Kit	084850
12	Tank Repair Kit	084853
13	Bellow Repair Kit	084840
14	Float Repair Kit	084841
15	Fitting PVC 1.5" 90D Street El/Spigot x Socket Repair Kit	017364
16	Capacitor and Circuit Board Repair Kit	084859
17	Junction Box Lid Repair Kit	084860

## TROUBLESHOOTING

CONDITION	POSSIBLE CAUSE	REMEDY
A. PUMP WILL NOT START OR RUN.	Low voltage, open circuit, failed capacitor.	Have a qualified electrician check the circuit.
	Impeller bound and cutter bound.	Contact a Zoeller Authorized Service and Warranty Center.
	Motor or wiring shorted.	
	Debris on float switch.	Remove debris.
B. PUMP WILL NOT SHUT OFF OR RUNS TOO LONG BEFORE WATER IS PUMPED.	Debris under float.	Remove debris from around float.
	Faulty float switch	Contact a Zoeller Authorized Service and Warranty Center.
	Pump is air locked.	Make sure vent hole in discharge pipe is clear.
	Waste material has accumulated blocking flow of material to pump intake.	Hold flush handle down on toilet for 15 seconds. If unit will not clear, unplug and wait for 30 minutes. Plug unit back in and repeat. If unit still will not turn off, it will need to be opened and the debris removed.
C. PUMP OPERATES BUT DELIVERS LITTLE OR NO WATER	Debris around intake.	Clean area around intake.
	Blockage in discharge pipe.	Remove pipe and flush out debris.
	Low or incorrect voltage.	Have a qualified electrician check house wiring.
	Damaged Impeller.	Contact a Zoeller Authorized Service and Warranty Center.
	Incorrect float adjustment.	Contact Product Support Department.
	Pump is air locked.	Make sure vent hole in discharge pipe is clear.
	Vertical lift too high.	Change discharge piping or contact Product Support Department.

If the above checklist does not solve the problem, consult the Zoeller Product Support Department. Do not attempt to service or otherwise disassemble pump. Care of finish: soap and water is all that is recommended for cleaning the outside of the tank. Other cleaning products may cause discoloration and scratching.

## DIMENSIONS



# QWIK JON® CHOICE QUICK REFERENCE GUIDE

## STEP 1

## LOCATION SELECTION

Plan your new installation carefully.

**Floor:** The floor should be structurally sound and level within 1/8" (3 mm). If the floor is not level, use hydraulic cement or similar material to level to the floor.

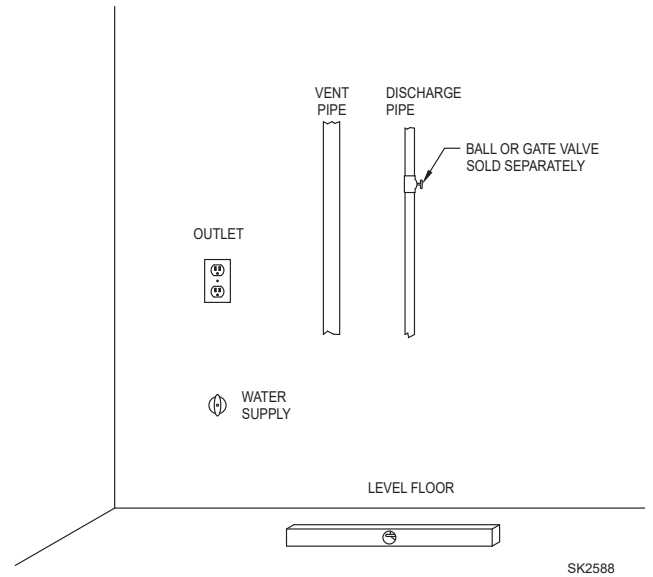
**Water:** A water supply will be needed to operate the toilet. Usually a 1/2" (DN15) line with a shut-off valve is sufficient.

**Electrical:** A receptacle of the appropriate voltage will be needed to supply electrical power to the pump.

**Sewage:** Access to a sewage line is required. The Qwik Jon® Choice requires a 1" (DN25) (or 3/4" [DN20] if local code allows it) sewage discharge line to connect to an existing sewage line. A ball or gate valve should be installed in the discharge line.

**Vent:** Access to a vent pipe is required in some markets. The use of a mechanical vent system is NOT recommended as the toilet will not flush.

**NOTE:** If a built-in installation is to be used, locate the pump unit in an area that will allow access to the pump and switch.



## QWIK JON® CHOICE MODEL 200



## WARNING

1. Always disconnect power source before attempting to install, service, or maintain the system.
2. Never handle a pump with wet hands or when standing on wet or damp surface or in water. Fatal electrical shock could occur.

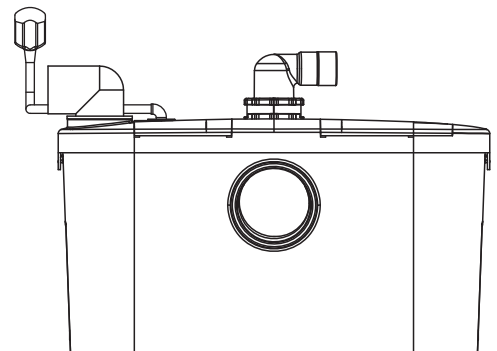
## STEP 2

## LEVELING OF PUMP UNIT

**CAUTION** Do not use wooden shims to level the pump unit!

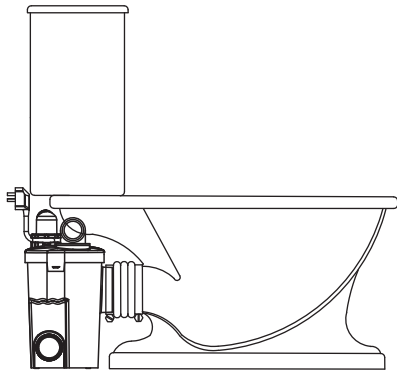
**CAUTION** Ensure that nails, screws or other sharp objects do not puncture the pump unit!

Level the pump unit to within 1/8" (3 mm) using hydraulic cement or similar material.



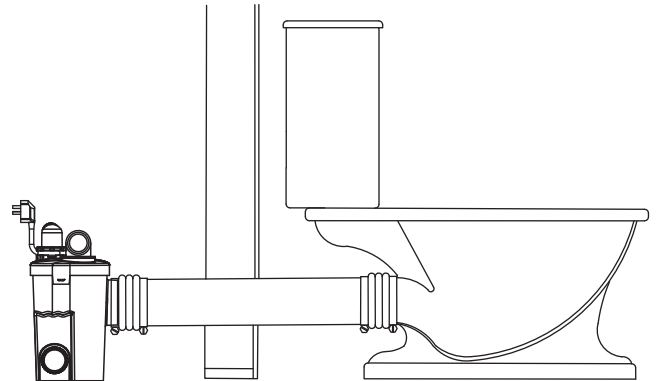
**(STAND-ALONE INSTALLATION)**

- 1) Position the pump unit a minimum of 1/8" (3 mm) from the wall with the inlet facing away from the wall. Attach the bellows to the inlet using the worm drive clamp provided.
- 2) Place the toilet in front of pump unit aligning the discharge of the toilet with the inlet of the pump unit. Make sure that the bellows will bridge the gap adequately for final installation. The toilet tank should be a minimum of 1/2" (13 mm) from the wall.
- 3) Lightly mark the locations of the pump unit, toilet and closet bolt locations on the floor. Lightly mark the wall with the height of the pump unit and the bottom and sides of the toilet tank to ensure against interference from pipe runs later.
- 4) Remove the toilet from the pump unit and set it aside.

**(BEHIND THE WALL INSTALLATION)**

- 1) Installing the pump unit behind a wall will require an extension kit (P/N 10-2123) sold separately.
- 2) Place the toilet assembly a minimum of 1/2" (13 mm) from the wall and mark the closet bolt locations on the floor.
- 3) Measure the appropriate length of 3-1/2" Schedule 40 PVC pipe provided with the extension kit and cut it to length. See sketch below.
- 4) Set toilet aside.

**⚠ CAUTION** Toilet assembly is top heavy. Take special precautions to ensure that toilet does not tip over and break.



Connect the rear discharge toilet to the front inlet of the Qwik Jon® Choice via hose clamps. Ensure the connections are according to local, regional, and state codes.



## STEP 4

## PIPING

- 1) Cut and dry-fit the pipe and fittings as required for 1" (DN25) diameter discharge pipe (may be reduced to 3/4" [DN20] diameter if local code allows it.)
- 2) While dry-fitting the discharge pipe, position and mark the location of the pump unit discharge fitting.
- 3) Cut and dry-fit 1-1/2" (DN40) vent pipe as required to ensure that the vent pipe does not interfere with other components. Make the connection to the pump unit with the provided street elbow. A 2" x 1" 90° discharge fitting has been provided.

**CAUTION** Proper venting is required.

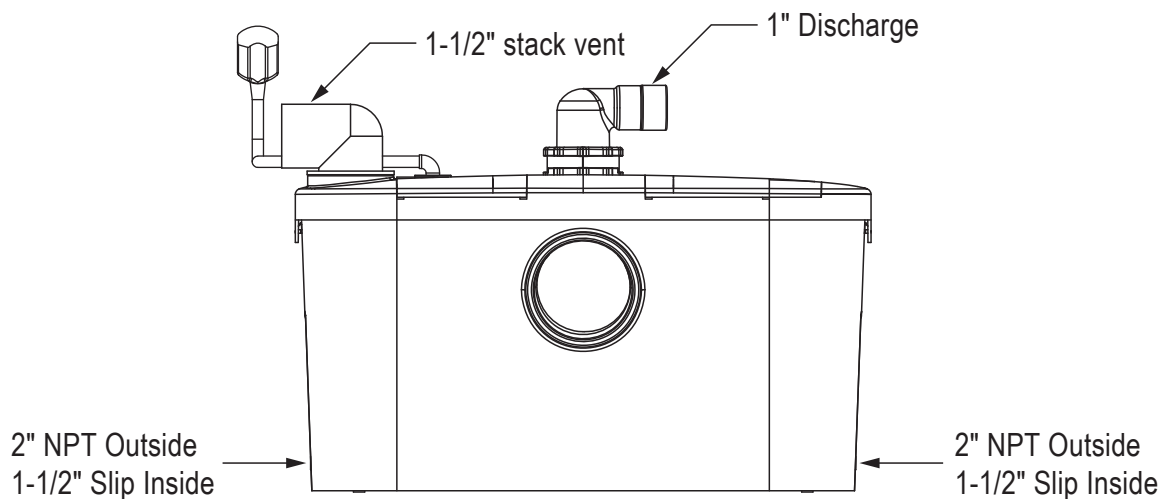
- 4) Temporarily set the toilet in place to check that there is no piping interference. Remove the toilet and set it aside.
- 5) Clean, prime and solvent weld the discharge piping and pump unit discharge fitting.

**CAUTION** When applying solvent weld to discharge fitting, ensure that none gets into the check valve assembly. Pay close attention to the proper alignment of the discharge fitting previously marked.

- 6) For markets requiring a pipe vent, clean and solvent weld the vent piping as required for proper venting.
- 7) Optional carbon filter vent:  
For markets where a carbon filter vent is allowed, please replace the carbon filter periodically to keep ventilation functioning properly.

**Note:** Adding other bathroom fixtures - The Qwik Jon® Choice is designed to accept additional bathroom fixtures utilizing the two side inlets. These inlets can be attached via the 2" MPT (outside diameter) or the 1-1/2" (DN40) slip (inside diameter). These inlets must have the inner portion drilled out using a 1-3/4" (44 mm) hole saw. This is to ensure there is no leakage problems from inlets not in use. When utilizing side inlets, install a check valve on the incoming line.

**CAUTION** Once the side inlet opening has been drilled out, remove burrs and rough edges to avoid the potential for clogging.



Connect the desired inlet pipe from other fixtures to the side inlet(s) of the Qwik Jon® Choice. A hole needs to be cut in the side inlet.



Connect the discharge pipe to the top of the Qwik Jon® Choice.





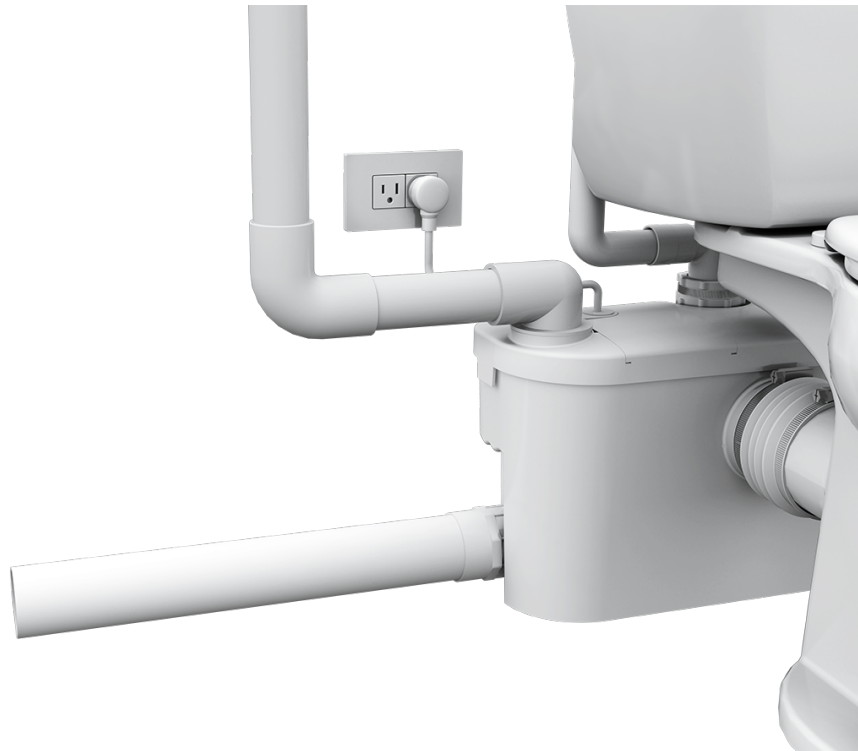
Connect all inlet piping and the vent pipe to the Qwik Jon® Choice if desired



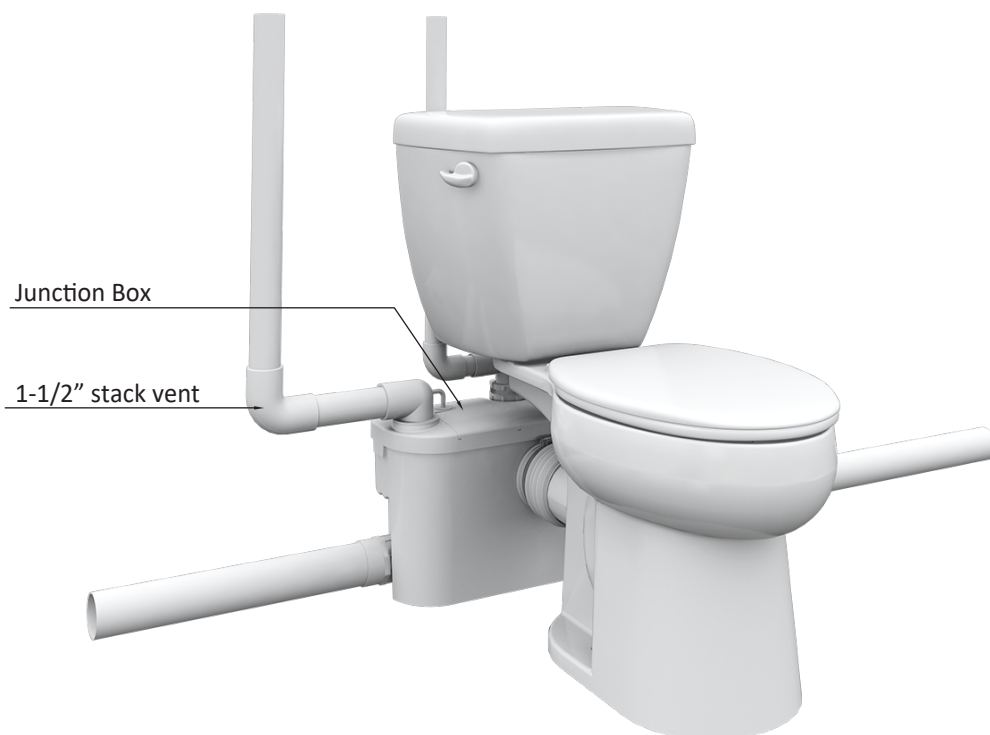
## STEP 5

## POWER

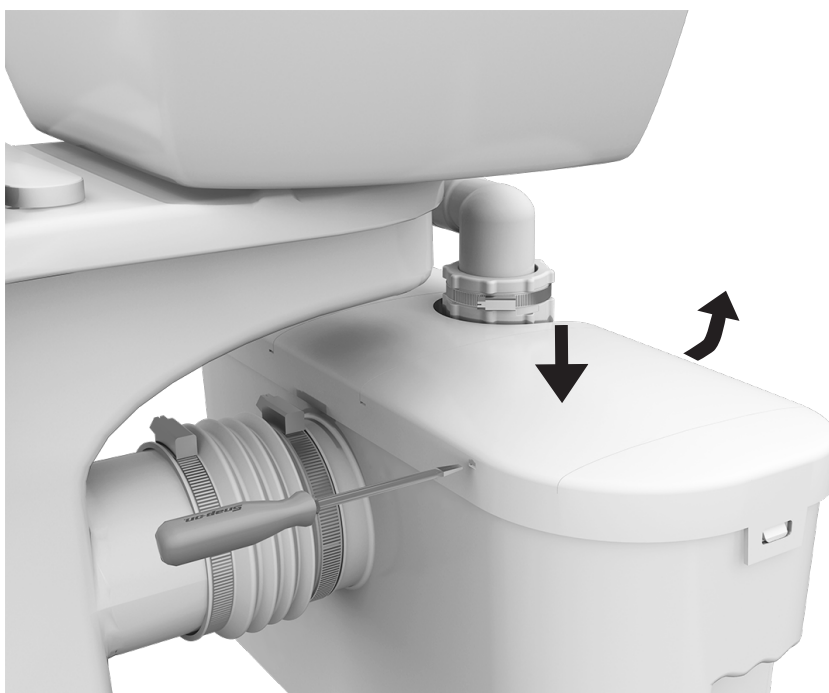
Plug the power cord into a wall socket to provide power to the unit.



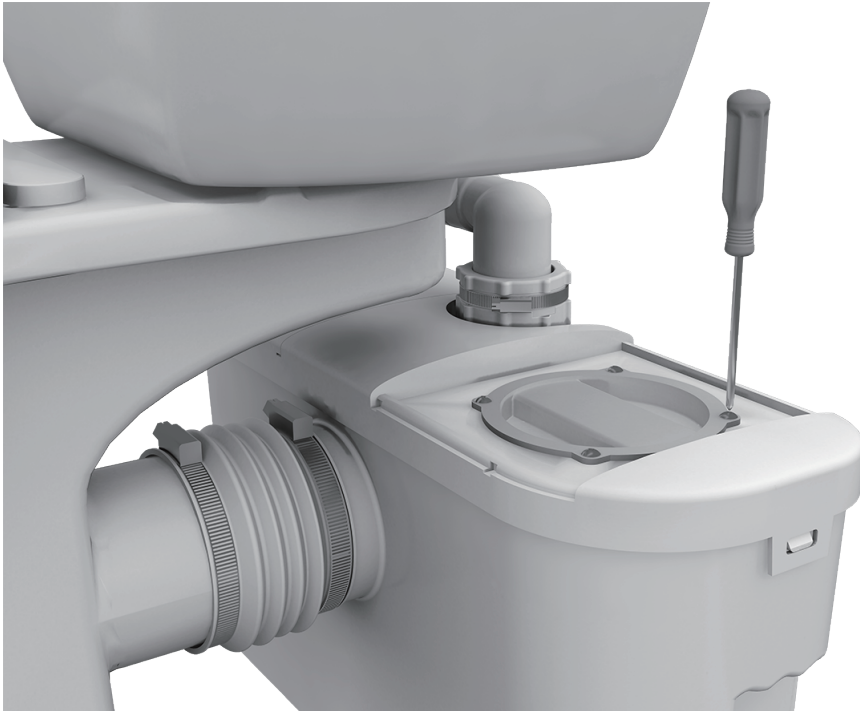
**WARNING -** Mechanical and Electrical Hazard. **Disconnect power** prior to maintenance or opening. This equipment is only to be serviced and maintained by a qualified professional.



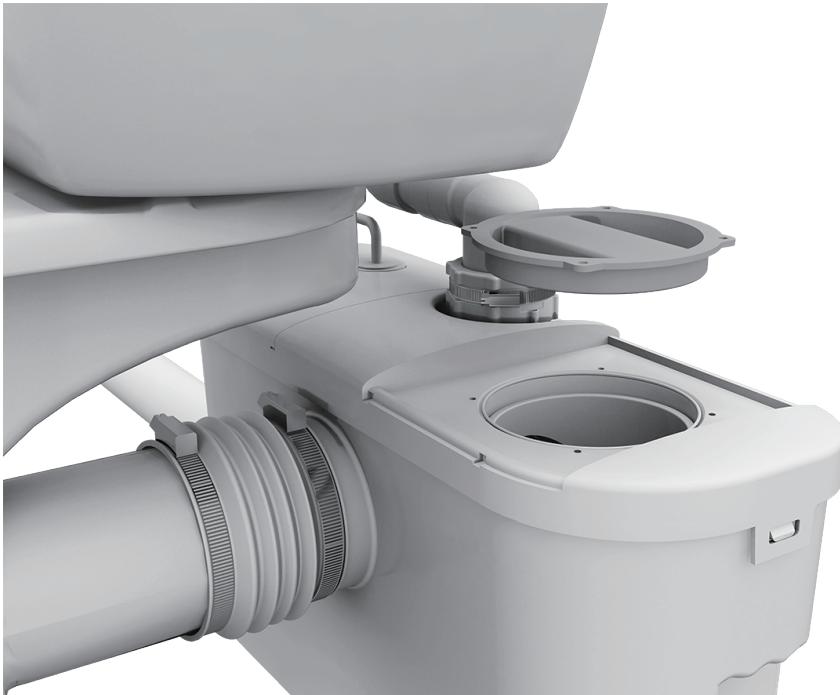
Pry the decorative cover open with a screw driver.  
Or press down on the center of the decorative cover and lift the side up.



Unscrew the protective lid of the macerating basket with a screw driver.



Open the macerating basket by removing the protective lid.

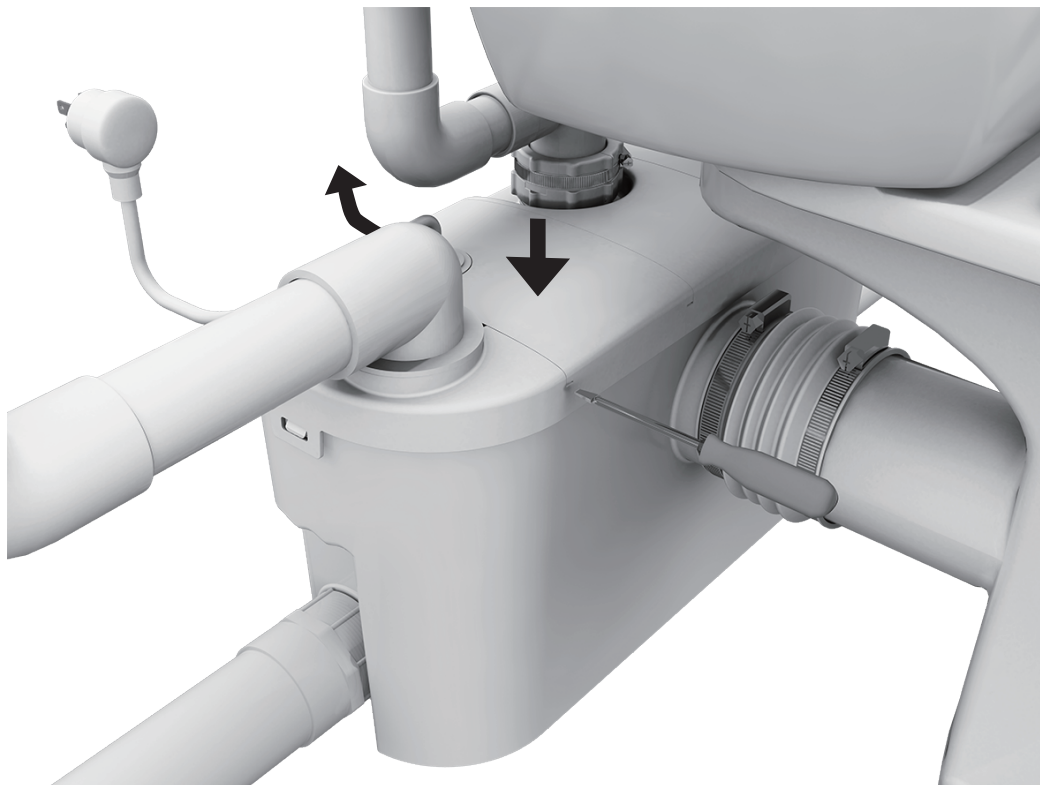


**DANGER** - Mechanical Hazard. Integrated cutting system with sharp edges.  
Do not reach into macerating tank or basket – injury can occur.  
Use tools such as needle nose pliers to retrieve debris in the macerating basket.

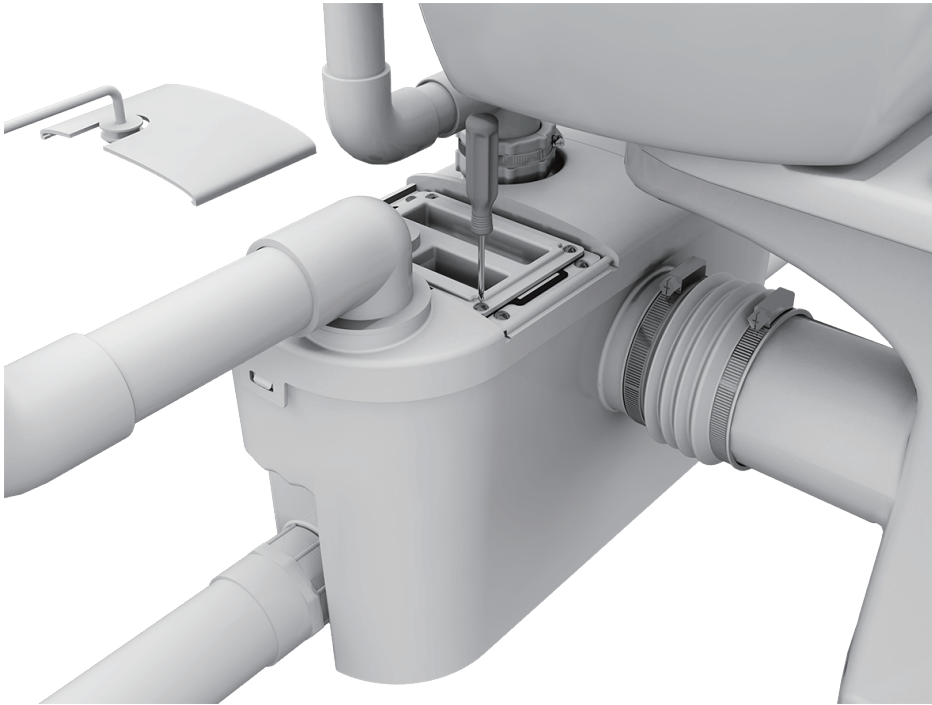


#### ACCESSING THE JUNCTION BOX

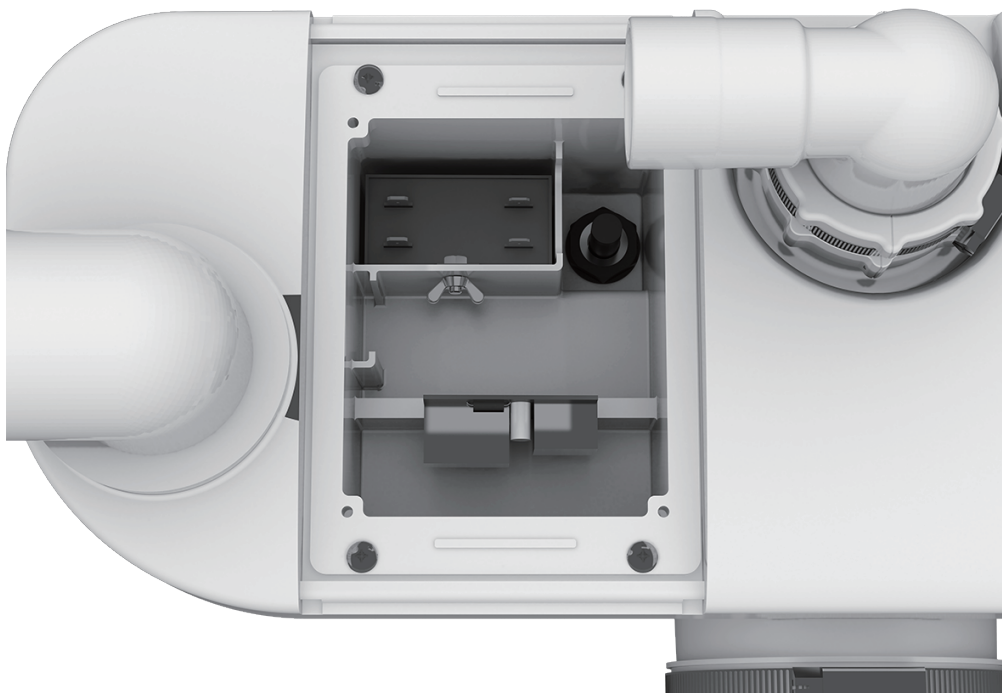
Pry the decorative cover open with a screw driver.  
Or press down on the center of the decorative cover and lift the side up.

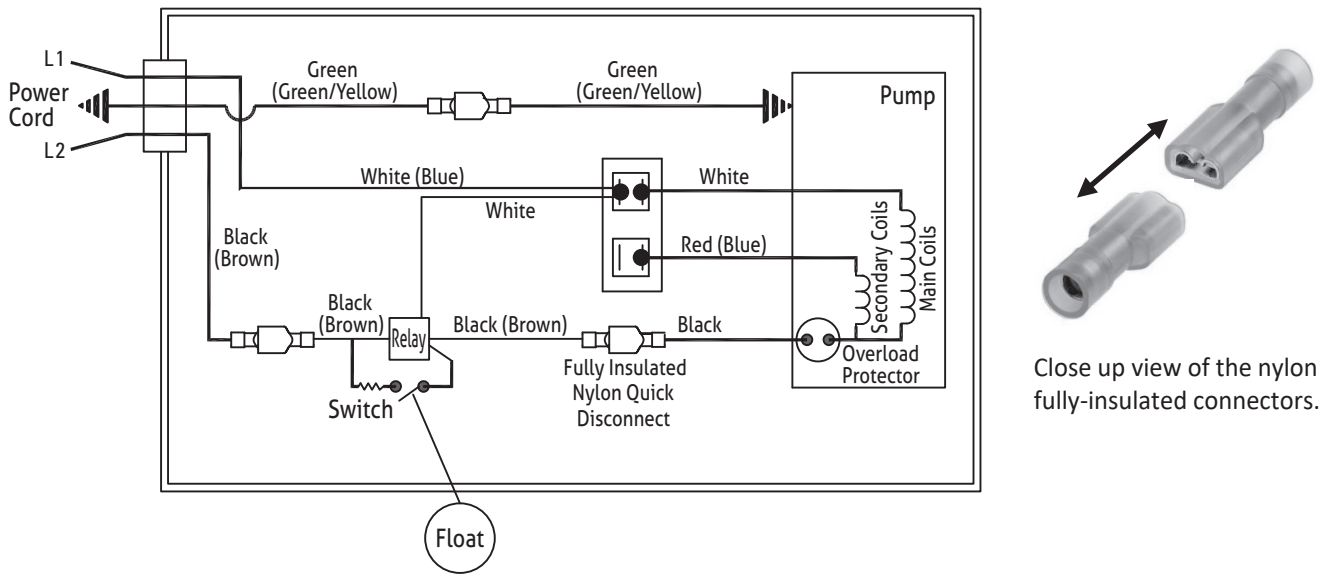


Unscrew the lid of the junction box with a screw driver for access to the capacitor and float switch.

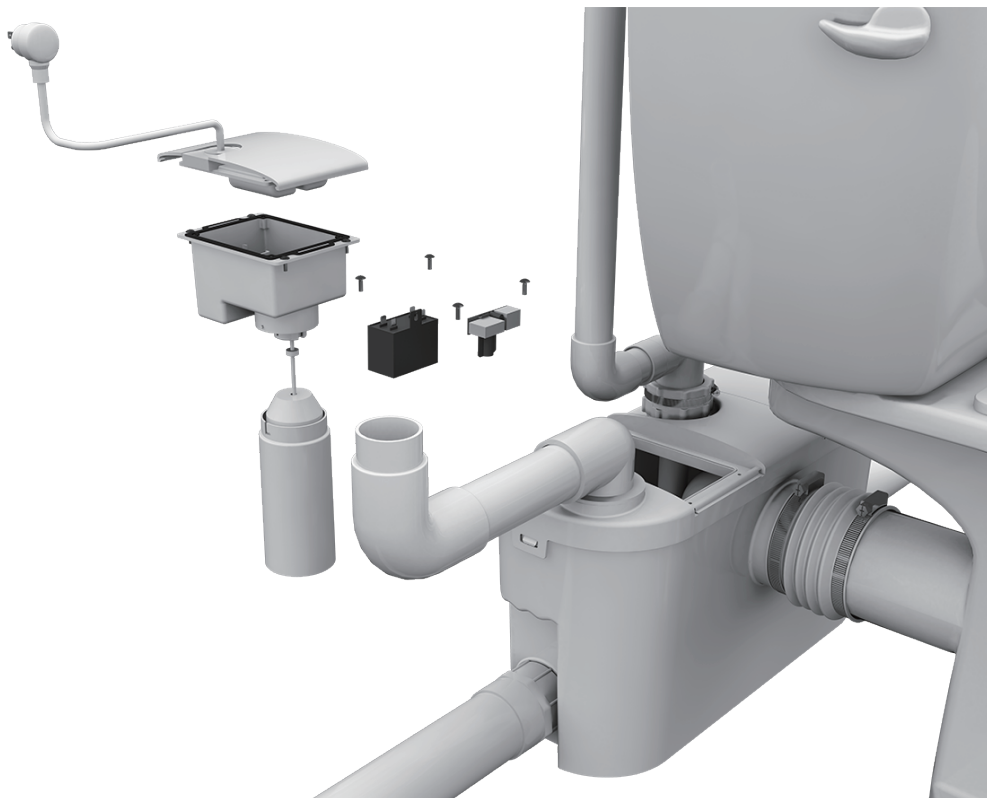


The junction box can be accessed to replace the capacitor or troubleshoot the system.



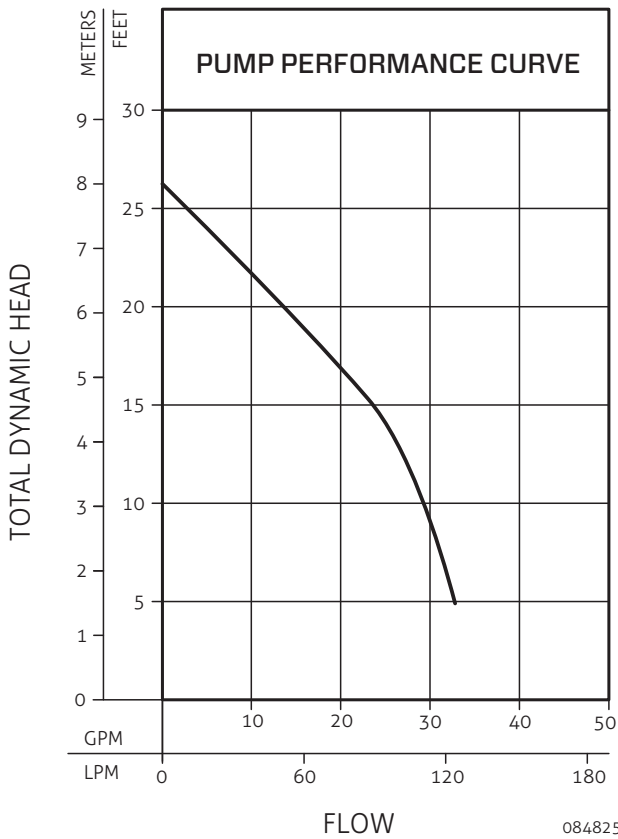
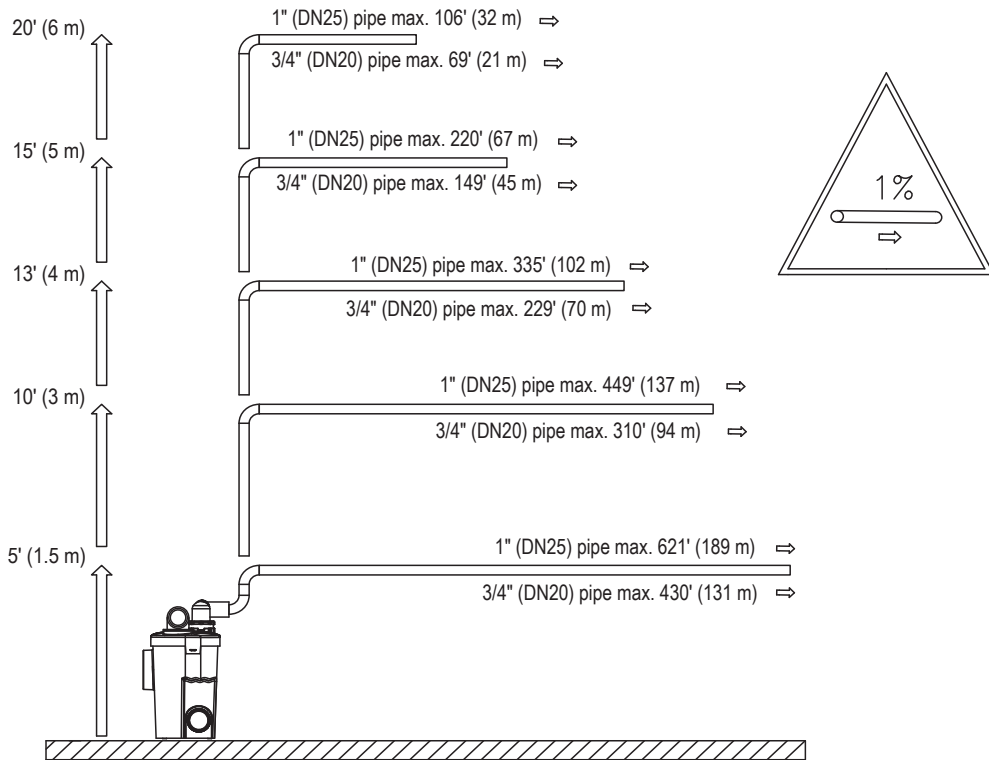


The junction box can be further removed by unscrewing the top screws for access to the float switch sleeve and tank internal.



# STEP 7

# Pump Performance



TOTAL DYNAMIC HEAD/FLOW			
Feet	Meters	Gallons /min	Liters /min
5	1.5	33.0	124.6
10	3.0	29.6	112.0
15	4.6	23.1	87.6
20	6.1	14.3	54.0
Shut-off Head:		26.25ft (8 m)	

**REMARQUE DESTINÉE À L'INSTALLATEUR :**  
**Les instructions doivent être conservées sur le lieu de l'installation.**

FM3281F

Trusted. Tested. Tough®

Les informations relatives aux produits présentées de la publication. Consulter le site de fabrication pour toute disparité ou incohérence.



**60 Hz**

[www.zoellerpumps.com](http://www.zoellerpumps.com)

Enregistrez votre produit  
Zoeller Pump Company  
sur notre site Web :  
<http://reg.zoellerpumps.com/>

**SYSTÈME QWIK JON® CHOICE 200**  
**INSTRUCTIONS D'INSTALLATION ET LISTE DE**  
**VÉRIFICATION DE PRÉINSTALLATION**

DATE D'INSTALLATION :

NUMÉRO DE MODÈLE :

1. Inspecter tous les matériaux. Les produits sont parfois endommagés pendant le transport. Si l'unité est endommagée, contacter le revendeur avant de l'utiliser. **NE PAS ENLEVER** les prises de test de la pompe.
2. Lire attentivement toute la documentation fournie afin de se familiariser avec les particularités de l'installation et de l'utilisation. La conserver pour une utilisation future.



**AVERTISSEMENT**

**CONSULTER CI-DESSOUS LA LISTE DES AVERTISSEMENTS**

1. Pour réduire le risque de décharge électrique, un réceptacle ou boîtier de commande mis à la terre adéquatement doit être installé conformément aux codes nationaux de l'électricité. Ne jamais retirer la broche de mise à la terre de la fiche.
2. S'assurer que la prise ou que le boîtier de commande protégé par un disjoncteur de fuite à la terre est à portée du cordon d'alimentation de la pompe. **NE PAS UTILISER DE RALLONGE ÉLECTRIQUE.** Les rallonges trop longues ou trop légères ne fournissent pas une tension suffisante au moteur de la pompe et pourraient présenter un risque d'accident si l'isolant est endommagé ou si l'extrémité de la connexion tombe dans un endroit humide ou mouillé.
3. S'assurer que le circuit d'alimentation électrique de la pompe est doté de fusibles ou de disjoncteurs de la bonne intensité. Il est conseillé d'utiliser un circuit de dérivation distinct dont les dimensions sont conformes aux codes de l'électricité en vigueur pour le courant indiqué sur la plaque signalétique de la pompe.
4. **Essai de mise à la terre.** Par mesure de sécurité, la mise à la terre de chaque prise électrique doit être vérifiée à l'aide d'un analyseur de circuit certifié UL (Underwriters Laboratory) qui indique si le câble d'alimentation, le conducteur neutre et le conducteur de terre sont reliés correctement à la prise. S'ils ne le sont pas, faire appel à un électricien agréé.
5. **POUR UNE QUESTION DE SÉCURITÉ, TOUJOURS DÉBRANCHER LA POMPE DE LA SOURCE D'ALIMENTATION AVANT DE LA MANIPULER.** Si la pompe est raccordée directement, mettre le circuit hors tension au boîtier de commande. **N'ENLEVER EN AUCUN CAS LA BROCHE DE MISE À LA TERRE.** Porter des chaussures de protection à semelles isolantes et ne pas se tenir dans l'eau. Certains types de prises peuvent comporter une fiche à trois broches avec mise à la terre pour aider à protéger contre les décharges électriques. Une prise de courant ou un boîtier de commande à trois broches mis à la terre adéquatement doit être installé conformément aux codes en vigueur.
6. L'installation et l'entretien des circuits électriques et du matériel de la pompe ne doivent être effectués que par un électricien agréé.
7. L'installation et l'entretien de cet équipement ne doivent pas être effectués par des personnes (notamment des enfants) dont les capacités physiques, sensorielles ou mentales sont réduites, ou dont l'expérience ou les connaissances sont insuffisantes, sauf si elles sont supervisées ou guidées quant à l'utilisation de l'équipement par une personne responsable de leur sécurité.
8. **Risque de décharge électrique.** Ne pas retirer le cordon d'alimentation électrique et le réducteur de tension ni brancher le conduit directement à la pompe. Un câble d'alimentation endommagé doit être remplacé par un représentant autorisé par Zoeller.

9. La pompe contient de l'huile qui devient chaude et pressurisée pendant l'utilisation. Attendre deux heures et demie après le débranchement avant d'effectuer l'entretien.
10. Cette pompe n'a pas été conçue pour l'eau potable en raison de sa contamination potentielle par l'huile qu'elle contient.
11. **Risque de décharge électrique.** L'utilisation possible de ces pompes dans les piscines et les zones marines n'a pas été étudiée.
12. Proposition 65- Avertissement aux résidents de Californie : Cancer et anomalies de la reproduction- [www.P65Warnings.ca.gov](http://www.P65Warnings.ca.gov).

**INSTRUCTIONS DE SÉCURITÉ**

**POUR ÉVITER TOUTE BLESSURE GRAVE OU MORTELLE OU TOUT DOMMAGE MATÉRIEL IMPORTANT, LIRE ET RESPECTER TOUTES LES CONSIGNES DE SÉCURITÉ CONTENUES DANS CE MANUEL ET SUR LA POMPE.**

**CE MANUEL A ÉTÉ CONÇU POUR AIDER À L'INSTALLATION ET AU FONCTIONNEMENT DE CET APPAREIL ET IL DOIT ÊTRE CONSERVÉ AVEC LA POMPE.**



Ceci est un **SYMBOLE D'AVERTISSEMENT.**

Lorsque ce symbole apparaît sur la pompe ou dans le manuel, repérer les mots indiquant un danger et faire preuve de vigilance quant au risque de dommage corporel ou matériel.



Met en garde contre les risques **POUVANT** causer la mort ou des dommages corporels ou matériels importants.



Met en garde contre les risques **POUVANT** causer des dommages corporels ou matériels.



Met en garde contre les risques de décharge électrique pouvant causer la mort ou des dommages corporels ou matériels importants.



Identifie toute borne conçue pour un raccordement à un conducteur externe afin d'assurer une protection contre les décharges électriques en cas de défaillance ou la borne d'une électrode d'un conducteur de protection (terre).



Lire le manuel de l'opérateur.

**AVANT D'EFFECTUER DES TRAVAUX SUR CETTE POMPE, LIRE ATTENTIVEMENT TOUTES LES INSTRUCTIONS ET TOUS LES AVERTISSEMENTS.**  
**CONSERVER TOUS LES AUTOCOLLANTS DE SÉCURITÉ.**

**SE RÉFÉRER À LA PAGE 2 DE LA GARANTIE.**



## **ATTENTION**

### **VOIR CI-DESSOUS LA LISTE DES AVERTISSEMENTS**

1. Cette unité n'est pas conçue pour traiter d'autres matières que les déchets humains et le papier hygiénique. La liste des objets qui ne doivent pas être utilisés avec ce système comprend, sans s'y limiter, les éléments suivants: les produits sanitaires féminins, les préservatifs, les tampons d'ouate, les cotons-tiges, les lingettes pour bébés, les essuie-tout, etc.
2. S'assurer que la source d'alimentation est suffisante pour répondre aux exigences d'intensité du moteur, comme indiqué sur l'étiquette d'identification de la pompe ou de l'unité.
3. Toute la plomberie (évacuation et évent du filtre à charbon) doit être installée conformément aux codes locaux. **L'unité doit être ventilée. Ne pas utiliser un évent de plomberie automatique.**
4. La température maximale de fonctionnement ne doit pas excéder 40 °C (104 °F).
5. Ne pas utiliser de produits de nettoyage contenant de l'eau de Javel dans le réservoir des toilettes, dans la cuvette ou dans les accessoires, car ils détérioreraient les joints de la pompe.
6. **Ce produit est conçu pour être utilisé avec une seule toilette.**

7. Codage couleur des conducteurs : Type 1 – ligne (brun), neutre (bleu), terre (jaune/vert). Type 2 – ligne (noir), neutre (blanc), terre (vert).
8. Avertissement en vertu de la Proposition 65 à l'intention des résidents de la Californie : Cancer et troubles de reproduction – [www.P65Warnings.ca.gov](http://www.P65Warnings.ca.gov).

## **REMARQUES**

### **VOIR CI-DESSOUS LA LISTE DES REMARQUES**

1. Les réparations et l'entretien doivent être effectués uniquement par un centre d'entretien et de garantie autorisé. (Consulter le site de fabrication.)
2. REMARQUE : Recommandé pour des installations d'une hauteur dynamique totale d'au plus 6 m (20 pi). Consultez le site de fabrication si la hauteur verticale de l'installation excède 5 m (15 pi) de tuyau DN25 (2,54 cm [1 po]). La pompe de macération est conçue pour être utilisée dans les unités Qwik Jon® Choice uniquement. Elle n'est conçue pour aucune autre utilisation.
3. Les pompes portant la mention « cCSAus » ou « US » sont testées selon la norme UL778. Les pompes portant la mention « cCSAus » sont conformes à la norme CSA C22.2 n° 108.
4. Tous les raccordements au système doivent se situer au même niveau.

## **GARANTIE LIMITÉE**

Le fabricant garantit, à l'acheteur et aux propriétaires subséquents au cours de la période de la garantie, que chaque nouveau produit ne présente aucun défaut matériel ou de main-d'œuvre dans des conditions normales d'utilisation et d'entretien, lorsque l'utilisation et l'entretien sont appropriés, pendant une période d'une année à compter de la date d'achat par l'utilisateur final ou pendant les 18 mois qui suivent la date de fabrication d'origine du produit, selon la première éventualité. Les pièces défectueuses au cours de la période de garantie, soit un an à compter de la date d'achat par l'utilisateur final ou 18 mois à compter de la date de fabrication d'origine, selon la première éventualité, dont les inspections permettent d'identifier les défauts matériels ou de main-d'œuvre, seront réparées, remplacées ou réusinées, au choix du fabricant, à condition, toutefois, que, ce faisant, nous ne soyons pas dans l'obligation de remplacer l'assemblage entier, le mécanisme entier ou l'unité complète. Aucune disposition ne sera prise pour les frais d'expédition, les dommages, la main-d'œuvre ou les autres frais pouvant découler de la défaillance, de la réparation ou du remplacement du produit.

Cette garantie ne s'applique pas à, et il n'existera aucune garantie pour, tout matériau ou produit qui aurait été démonté sans une approbation préalable du fabricant, soumis à une mauvaise utilisation, à une négligence, à une altération, à un accident ou à un événement climatique non contrôlé; qui n'aurait pas été installé, utilisé ou entretenu conformément aux instructions d'installation du fabricant; qui aurait été exposé à des substances extérieures dont, sans s'y limiter, les suivantes : sable, gravier, ciment, boue, goudron, hydrocarbures, dérivés

d'hydrocarbures (huile, essence, solvants, etc.) ou autres substances abrasives ou corrosives, serviettes de toilette ou toute autre entité nuisible, etc., et ce, dans toutes les utilisations de pompage. La garantie établie dans le paragraphe ci-dessus remplace toute autre garantie expresse ou implicite et nous n'autorisons aucun représentant ou aucune autre personne à prendre la responsabilité à notre place en lien avec nos produits.

Contactez les distributeurs agréés pour obtenir toute réparation ou tout remplacement nécessaire de pièce(s) ou des renseignements supplémentaires relatifs à notre garantie.

**LE FABRICANT DÉCLINE EXPRESSÉMENT TOUTE RESPONSABILITÉ EN CAS DE DOMMAGES ACCIDENTELS, CONSÉCUTIFS OU ACCESSOIRES RÉSULTANT DE L'INEXÉCUTION D'UNE GARANTIE EXPRESSE OU IMPLICITE; ET TOUTE GARANTIE DE CONVENANCE PRÉCISE ET DE QUALITÉ MARCHANDE SERA LIMITÉE À LA DURÉE DE LA GARANTIE EXPRESSE.**

Certains territoires ne permettent pas les limitations sur la durée de la garantie implicite et la restriction ci-dessus peut donc ne pas s'appliquer à vous. Certains territoires ne permettent pas l'exclusion ou la restriction des dommages accidentels ou consécutifs et la restriction ou l'exclusion ci-dessus peut donc ne pas s'appliquer à vous.

La garantie vous accorde des droits juridiques précis et vous pouvez également jouir d'autres droits qui varient d'un territoire à un autre.

**Dans les cas où des dommages découlent de la défaillance alléguée d'une pompe, le propriétaire doit conserver la pompe à des fins d'enquête.**

### **ASTUCES PRATIQUES POUR UNE INSTALLATION FACILE**

1. Lire toutes les instructions avant de commencer l'installation.
2. S'assurer que le sol est de niveau; différence d'au plus 1/8 po (3 mm).
3. Installer le joint du tuyau d'évent avec le côté bride du joint sur l'extérieur du couvercle.
4. Lubrifier tous les joints avec de l'eau savonneuse afin de faciliter l'installation.
5. Installer un raccord en caoutchouc dans la conduite d'évent pour faciliter le démontage.
6. Ne pas trop serrer les vis de fixation de la toilette.
7. Ne pas utiliser un évent de plomberie automatique.
8. Obtenir le numéro de modèle et le code de date et noter les informations dans l'espace prévu à cet effet au début de ce manuel. Se référer à ces informations lors de l'appel au site de fabrication.

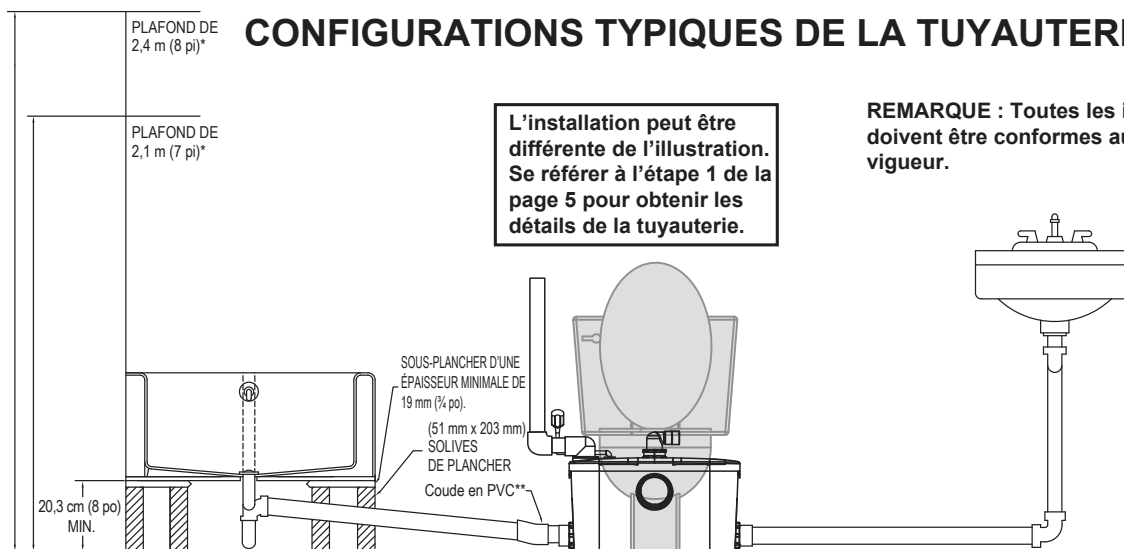
### **CHOSSES À FAIRE ET À NE PAS FAIRE POUR L'INSTALLATION D'UNE UNITÉ**

1. LIRE tout le matériel d'installation fourni avec la pompe.
2. VÉRIFIER l'unité afin de s'assurer qu'elle n'a pas été visiblement endommagée pendant le transport.

### **CHOSSES À FAIRE ET À NE PAS FAIRE, suite**

- Contactez le revendeur si l'unité semble endommagée.
3. NETTOYER tous les débris visibles de l'unité.
4. SOULEVER toujours l'appareil par les poignées intégrées.
5. Toujours DÉBRANCHER la pompe de la source d'alimentation avant de la manipuler. Toujours la BRANCHER sur un circuit protégé distinct adéquatement mis à la terre. NE PAS couper, épisser ou endommager le cordon d'alimentation. NE PAS transporter ni soulever la pompe par son cordon d'alimentation. NE PAS utiliser de rallonge électrique.
6. INSTALLER un clapet à bille ou un robinet-vanne et un raccord dans le tuyau d'évacuation en aval du clapet antiretour.
7. TESTER la pompe immédiatement après l'installation pour s'assurer que le système fonctionne correctement.
8. EXAMINER tous les codes locaux et nationaux et vérifier que l'installation y est conforme.
9. Nous NE RECOMMANDONS PAS de raccorder ce produit à des installations autres que celles d'une salle de bains normale. Les machines à laver et les lave-vaisselle sont des exemples d'équipements que nous NE RECOMMANDONS PAS.
10. TESTER le système pour vérifier son bon fonctionnement au moins tous les trois mois.

## CONFIGURATIONS TYPQUES DE LA TUYAUTERIE



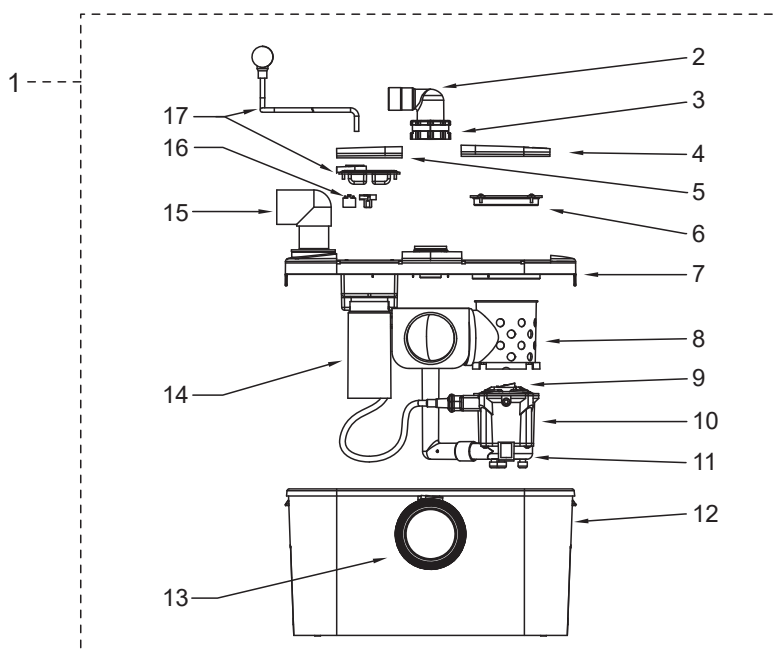
L'installation peut être différente de l'illustration. Se référer à l'étape 1 de la page 5 pour obtenir les détails de la tuyauterie.

REMARQUE : Toutes les installations doivent être conformes aux codes en vigueur.

\*Les hauteurs des plafonds sont fournies à titre indicatif.

\*\*En option : tuyau avec collier.

## PIÈCES D'ENTRETIEN



Article	Description	Trousse de réparation ou numéro de pièce
1	Système d'évacuation des eaux usées Qwik Jon® Choice	200-0006
2	Trousse de réparation de l'assemblage du tuyau de sortie	084839
3	Trousse de réparation de l'assemblage du clapet antiretour	084854
4	Trousse de réparation du couvercle décoratif de la pompe	084855
5	Trousse de réparation pour couvercle décoratif de la boîte de raccordement	084856
6	Trousse de réparation du couvercle de réparation de la pompe	084846
7	Trousse de réparation du couvercle du réservoir	084847
8	Trousse de réparation du panier-filtre et du coude du tuyau d'admission	084848
9	Trousse de réparation du jeu de couteaux	084844
10	Trousse de réparation de la pompe, du coude du tuyau d'évacuation et de la volute	084852
11	Trousse de réparation de la volute, du coude du tuyau d'évacuation, des talons de surélévation, des tampons de fixation et des vis	084850
12	Trousse de réparation du réservoir	084853
13	Trousse de réparation du soufflet	084840
14	Trousse de réparation du flotteur	084841
15	Trousse de réparation raccord PVC 1.5 "90D Street El / Spigot x Socket	017364
16	Trousse de réparation de condensateurs et de cartes de circuits imprimés	084859
17	Trousse de réparation du boîtier de raccordement	084860

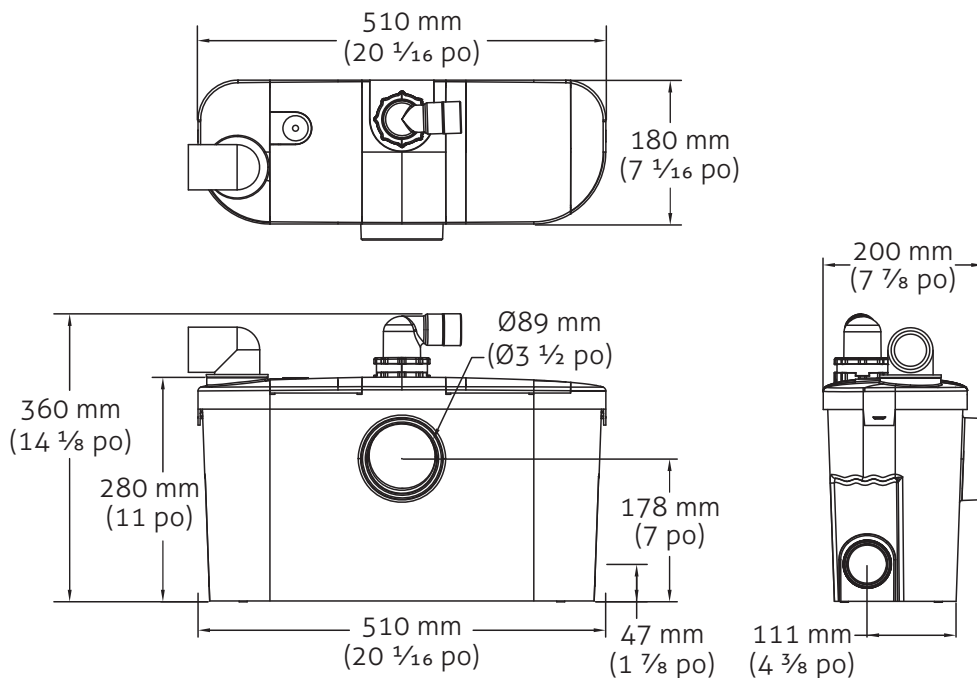
## DÉPANNAGE

ÉTAT	CAUSE POSSIBLE	SOLUTION
A. LA POMPE NE DÉMARRE PAS OU NE FONCTIONNE PAS.	Tension basse, circuit ouvert, condensateur défectueux.	Demander à un électricien qualifié de vérifier le circuit.
	Impulseur engorgé et couteau bloqué.	Contacter un centre d'entretien et de garantie agréé Zoeller.
	Court-circuit du moteur ou du câblage.	
	Débris sur l'interrupteur à flotteur.	Retirer les débris.
B. LA POMPE NE S'ARRÊTE PAS OU FONCTIONNE TROP LONGTEMPS AVANT QUE L'EAU SOIT POMPÉE.	Débris sous le flotteur.	Retirer les débris des alentours du flotteur.
	Interrupteur à flotteur défectueux.	Contacter un centre d'entretien et de garantie agréé Zoeller.
	La pompe a un blocage d'air.	S'assurer que le trou d'évent dans le tuyau d'évacuation est dégagé.
	Des déchets se sont accumulés, bloquant le flux de matières vers l'entrée de la pompe.	Maintenir la poignée de la chasse d'eau de la toilette baissée pendant 15 secondes. Si l'appareil ne se dégage pas, le débrancher et attendre 30 minutes. Rebrancher l'appareil et recommencer. Si l'appareil ne s'éteint toujours pas, il faudra l'ouvrir et retirer les débris.
C. LA POMPE FONCTIONNE, MAIS DÉPLACE PEU OU PAS D'EAU.	Débris autour de la prise d'eau.	Nettoyer la zone autour de la prise d'eau.
	Obstruction dans le tuyau d'évacuation.	Enlever le tuyau et rincer les débris.
	Mauvaise tension ou tension faible.	Demander à un électricien qualifié de vérifier le câblage de la maison.
	Impulseur endommagé.	Contacter un centre d'entretien et de garantie agréé Zoeller.
	Mauvais réglage du flotteur.	Contacter le service du soutien technique.
	La pompe a un blocage d'air.	S'assurer que le trou d'évent dans le tuyau d'évacuation est dégagé.
	Soulèvement vertical trop élevé.	Changer la tuyauterie de l'évacuation ou contacter le service du soutien technique.

Si la liste de vérification ci-dessus ne permet pas de résoudre le problème, consulter le service du soutien technique de Zoeller. Ne pas tenter d'effectuer l'entretien ni de démonter la pompe.

Entretien de la finition : il est recommandé de n'utiliser que du savon et de l'eau pour nettoyer l'extérieur du réservoir. D'autres produits de nettoyage pourraient provoquer une décoloration et des rayures.

## DIMENSIONS



## ÉTAPE 1

## CHOIX DE L'EMPLACEMENT POUR L'INSTALLATION

### Planifier soigneusement la nouvelle installation.

**Sol :** Le sol doit être structurellement solide et de niveau avec une différence d'au plus 3 mm ( $\frac{1}{8}$  po). Si le sol n'est pas de niveau, le niveler à l'aide de ciment hydraulique ou d'un matériau similaire.

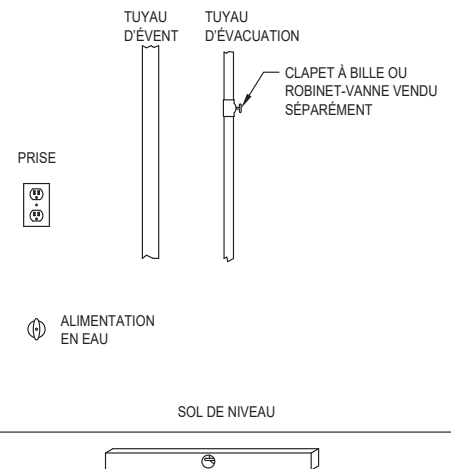
**Eau :** Une alimentation en eau est nécessaire pour faire fonctionner la toilette. En général, un tuyau de 2,54 cm ( $\frac{1}{2}$  po) [DN15] muni d'une vanne d'arrêt est suffisant.

**Électricité :** Une prise de courant de la tension appropriée est nécessaire pour alimenter la pompe en électricité.

**Eaux usées :** L'accès à une canalisation d'égout est obligatoire. Le système Qwik Jon® Choice nécessite un tuyau d'évacuation des eaux usées de 2,54 cm (1 po) [DN25] (ou de 1,91 cm ( $\frac{3}{4}$  po) [DN20] si le code local le permet) pour se raccorder à une canalisation d'égout existante. Un clapet à bille ou un robinet-vanne doit être installé dans le tuyau d'évacuation.

**Évent :** Un accès à un tuyau d'évent est nécessaire dans certains marchés. Un système d'évent mécanique n'est PAS recommandé, car la toilette ne se videra pas.

**REMARQUE :** Si une installation intégrée doit être utilisée, placer l'unité de pompe dans une zone qui permet l'accès à la pompe et au commutateur.



SK2588

## QWIK JON® CHOICE MODÈLE 200



### AVERTISSEMENT

1. Toujours débrancher la source d'alimentation avant d'essayer d'installer, de réparer ou d'entretenir le système.
2. Ne jamais manipuler une pompe avec les mains mouillées ou en présence d'une surface mouillée ou humide, ou d'eau.

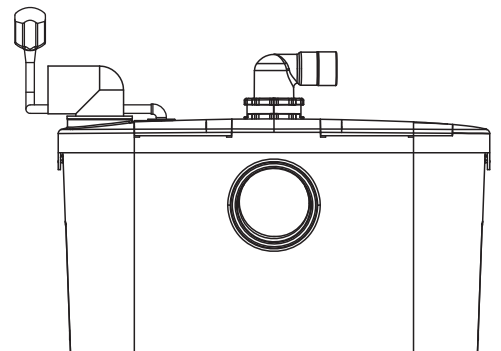
## ÉTAPE 2

## MISE À NIVEAU DE L'UNITÉ DE POMPE

**ATTENTION** Ne pas utiliser de cales en bois pour mettre de niveau l'unité de pompe!

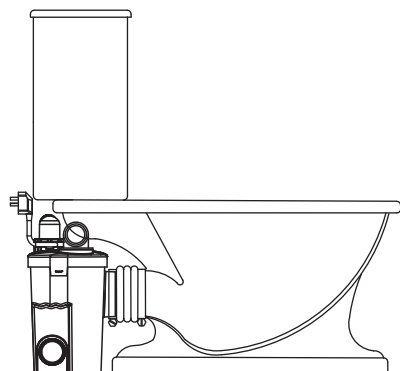
**ATTENTION** S'assurer que les clous, les vis ou d'autres objets tranchants ne perforent pas la pompe!

Niveler l'unité de pompage avec un jeu d'au plus 3 mm ( $\frac{1}{8}$  po) au moyen de ciment hydraulique ou d'un matériau similaire.



## (INSTALLATION AUTONOME)

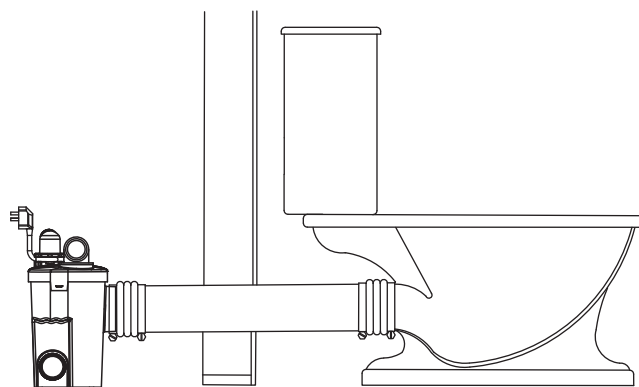
- 1) Placer l'unité de pompage à au moins 3 mm ( $\frac{1}{8}$  po) du mur, l'orifice d'entrée étant orienté à l'opposé du mur. Fixer le soufflet à l'orifice d'entrée à l'aide du collier de serrage fourni.
- 2) Placer la toilette devant l'unité de pompage en alignant le tuyau d'évacuation de la toilette avec l'orifice d'entrée de l'unité de pompage. S'assurer que le soufflet comble l'écart de manière adéquate pour l'installation. Le réservoir de la toilette doit se trouver à au moins 13 mm ( $\frac{1}{2}$  po) du mur.
- 3) Marquer légèrement les emplacements de l'unité de pompage, de la toilette et des boulons maintien au sol. Marquer légèrement le mur avec la hauteur de l'unité de pompage et le fond ainsi que les côtés du réservoir de la toilette afin d'éviter les interférences des tuyaux qui seront installés plus tard.
- 4) Retirer la toilette de l'unité de pompage et la mettre de côté.



## (INSTALLATION DERRIÈRE LE MUR)

- 1) L'installation de l'unité de pompage derrière un mur exige un nécessaire de rallonge (numéro de pièce 10-2123) vendu séparément.
- 2) Placer l'ensemble de toilette à au moins 13 mm ( $\frac{1}{2}$  po) du mur et marquer l'emplacement des boulons de maintien au sol.
- 3) Mesurer la longueur appropriée du tuyau en PVC de série 40 de 8,89 cm ( $3\frac{1}{2}$  po) fourni avec le nécessaire de rallonge et le couper à la longueur voulue.
- 4) Voir le schéma ci-dessous.

**⚠ ATTENTION** L'ensemble de toilette est très lourd. Prendre des précautions particulières pour s'assurer que la toilette ne se renverse pas et ne se casse pas.



Raccorder la toilette à évacuation arrière à l'orifice d'entrée avant du Qwik Jon® Choice au moyen de colliers de serrage. S'assurer que les raccords sont conformes aux codes locaux, régionaux et nationaux.



- 1) Couper et ajuster à sec les tuyaux et les raccords comme requis pour le tuyau d'évacuation d'un diamètre de 2,54 cm (1 po) [DN25] (qui peut être réduit à un diamètre de 1,91 cm (¾ po) [DN20] si le code local le permet).
- 2) Lors de l'ajustement à sec du tuyau d'évacuation, positionner le raccord d'évacuation de l'unité de pompage et marquer son emplacement.
- 3) Couper et ajuster à sec le tuyau d'évent DN40 de 3,81 cm (1 ½ po) selon les besoins pour s'assurer que le tuyau d'évent n'interfère pas avec les autres composants. Faire le raccordement à l'unité de pompage avec le coude mâle-femelle fourni. Un raccord d'évacuation à 90° de 5,08 cm x 2,54 cm (2 po x 1 po) a été fourni.

**⚠ ATTENTION** Une ventilation adéquate est nécessaire.

- 4) Mettre temporairement la toilette en place pour vérifier qu'il n'y a pas d'interférence avec la tuyauterie. Retirer la toilette et la mettre de côté.
- 5) Nettoyer, amorcer et souder au solvant les tuyaux d'évacuation et l'évacuation de l'unité de pompage raccord.

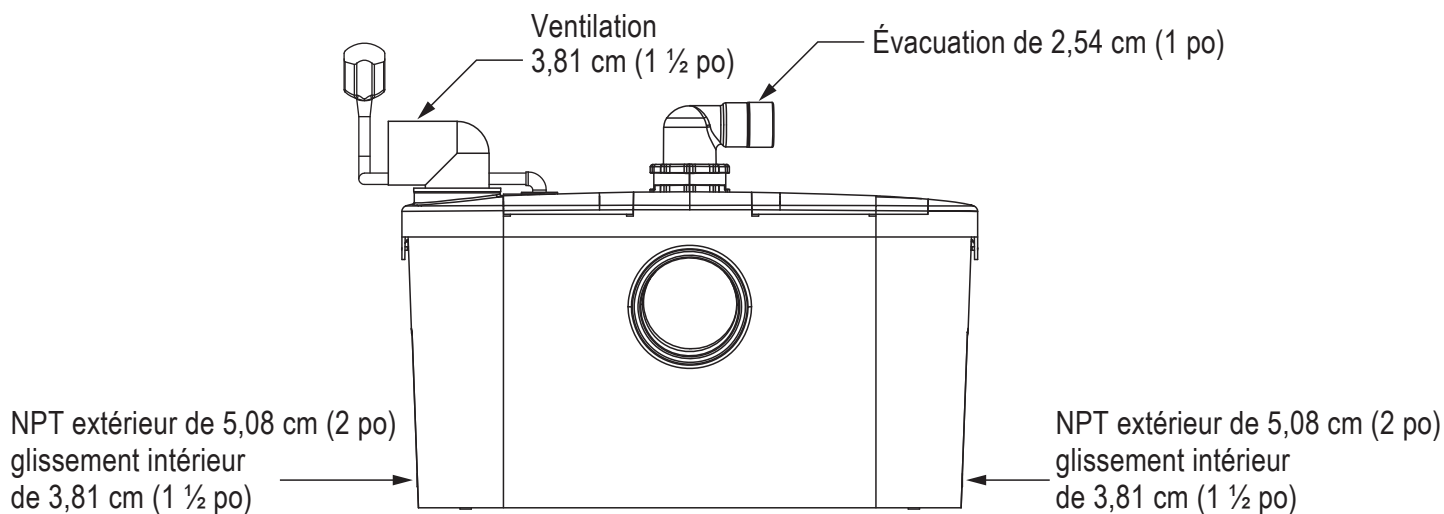
**⚠ ATTENTION** Lors de l'application de la soudure au solvant pour la conduite d'évacuation, s'assurer qu'aucune ne pénètre dans l'assemblage du clapet antiretour. Faire bien attention à l'alignement précis du tuyau d'évacuation préalablement marqué.

6) Pour les marchés nécessitant un évent, nettoyer et souder au solvant la tuyauterie d'évent comme il se doit pour assurer une bonne ventilation.

7) Évent pour filtre à charbon optionnel :  
Pour les marchés où un évent de filtre à charbon est autorisé, veuillez remplacer périodiquement le filtre à charbon pour que la ventilation fonctionne correctement.

**Remarque :** Ajout d'autres équipements de salle de bains – Le système Qwik Jon® Choice est conçu pour fonctionner avec des équipements de salle de bains supplémentaires au moyen des deux orifices d'entrée latéraux. Ces entrées peuvent être fixées via le NPT de 5,08 cm (2 po) (diamètre extérieur) ou le glissement 3,81 cm (1 ½ po) (DN40) (diamètre intérieur). Ces entrées doivent avoir la portion intérieure percée à l'aide d'une scie cloche 44 mm (1 ¾ po). Cela permet de s'assurer qu'il n'y a pas de problèmes de fuite des entrées inutilisées. Lorsque vous utilisez des entrées latérales, installez un clapet anti-retour sur la ligne d'entrée.

**⚠ ATTENTION** Une fois que l'ouverture d'entrée latérale a été percée, retirer les bavures et les bords rugueux pour éviter le risque d'obstruction.



Raccorder le tuyau d'entrée provenant d'un autre appareil sanitaire à l'entrée latérale ou aux entrées latérales du système Qwik Jon® Choice. Un trou doit être percé dans l'entrée latérale.



Raccorder le tuyau d'évacuation au sommet du système Qwik Jon® Choice.



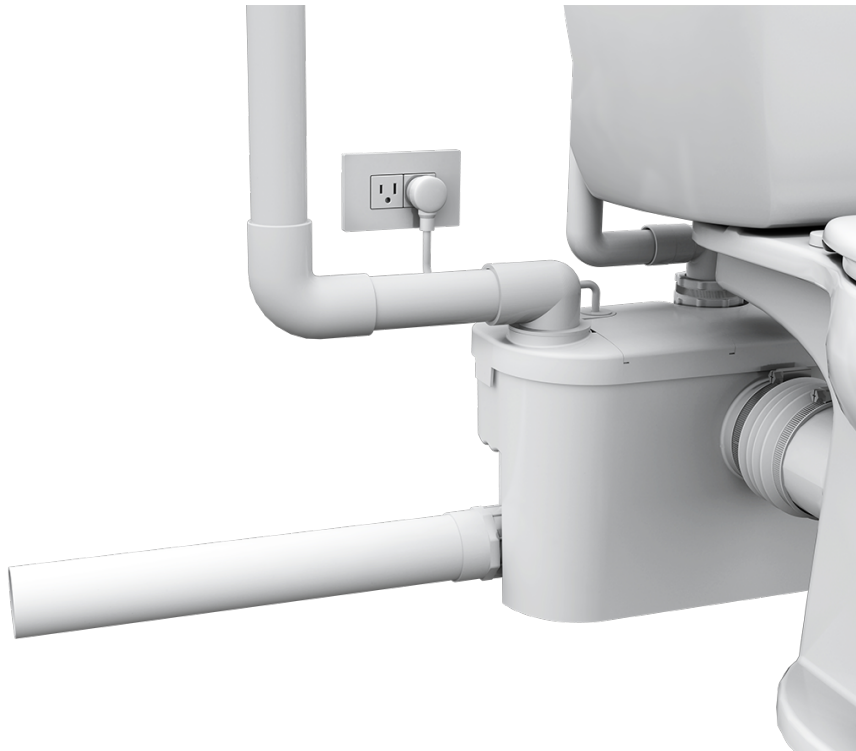
Raccorder toute la tuyauterie d'entrée et le tuyau d'évent au système Qwik Jon® Choice si vous le souhaitez



## ÉTAPE 5

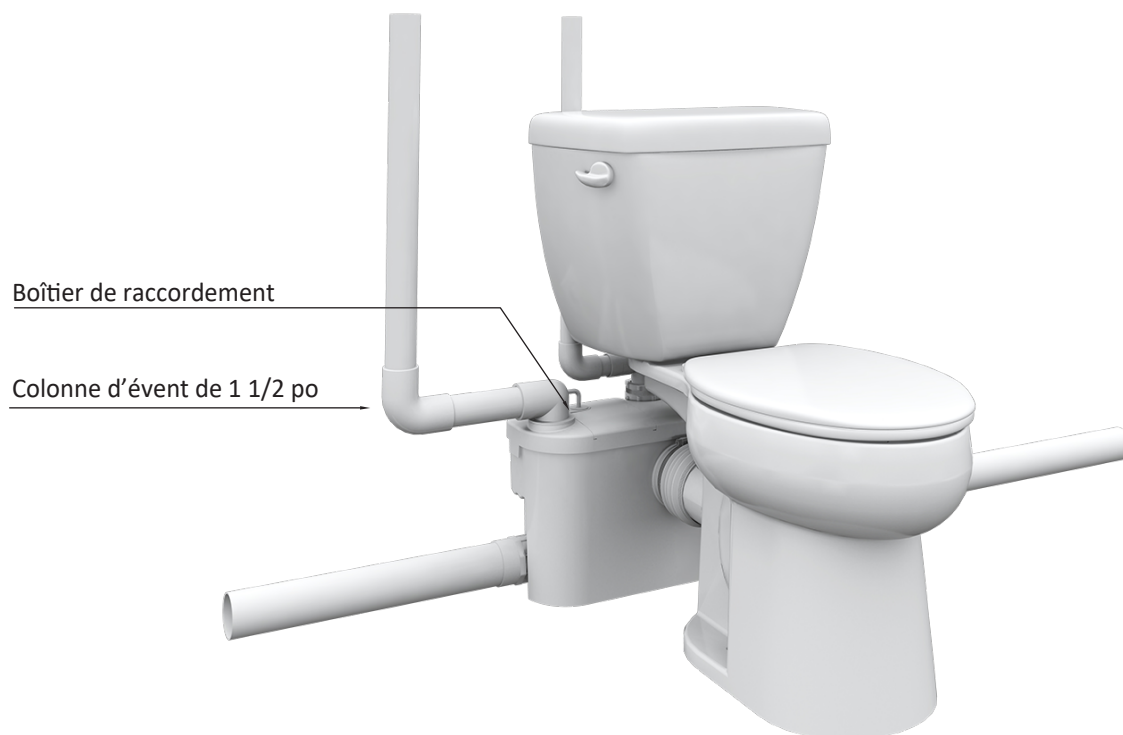
## ALIMENTATION

Brancher le cordon d'alimentation dans une prise murale pour alimenter l'appareil.

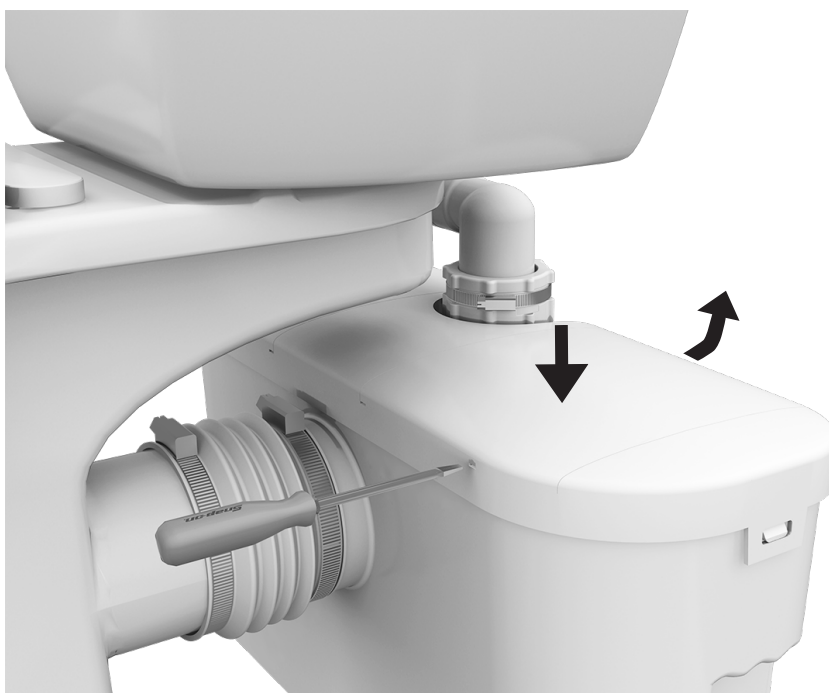




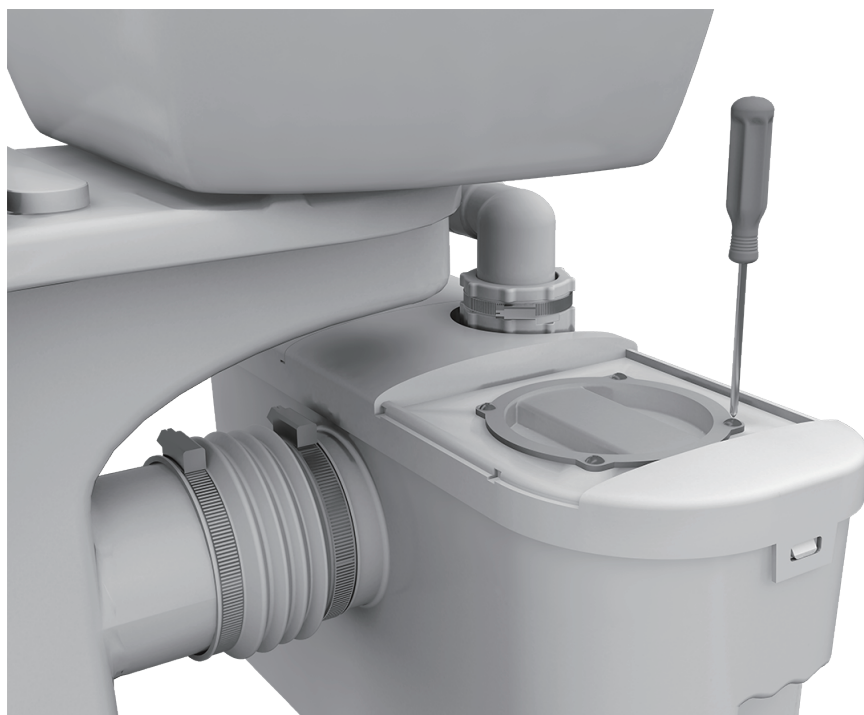
**AVERTISSEMENT** – Risque mécanique et électrique. Débrancher l'alimentation électrique avant de procéder à l'entretien ou l'ouverture. Cet équipement ne doit être réparé et entretenu que par un professionnel qualifié.



Ouvrir le couvercle décoratif à l'aide d'un tournevis.  
Ou appuyer sur le centre du couvercle décoratif et soulever le côté.



Dévisser le couvercle de protection du panier de macération à l'aide d'un tournevis.



Ouvrir le panier de macération en retirant le couvercle de protection.

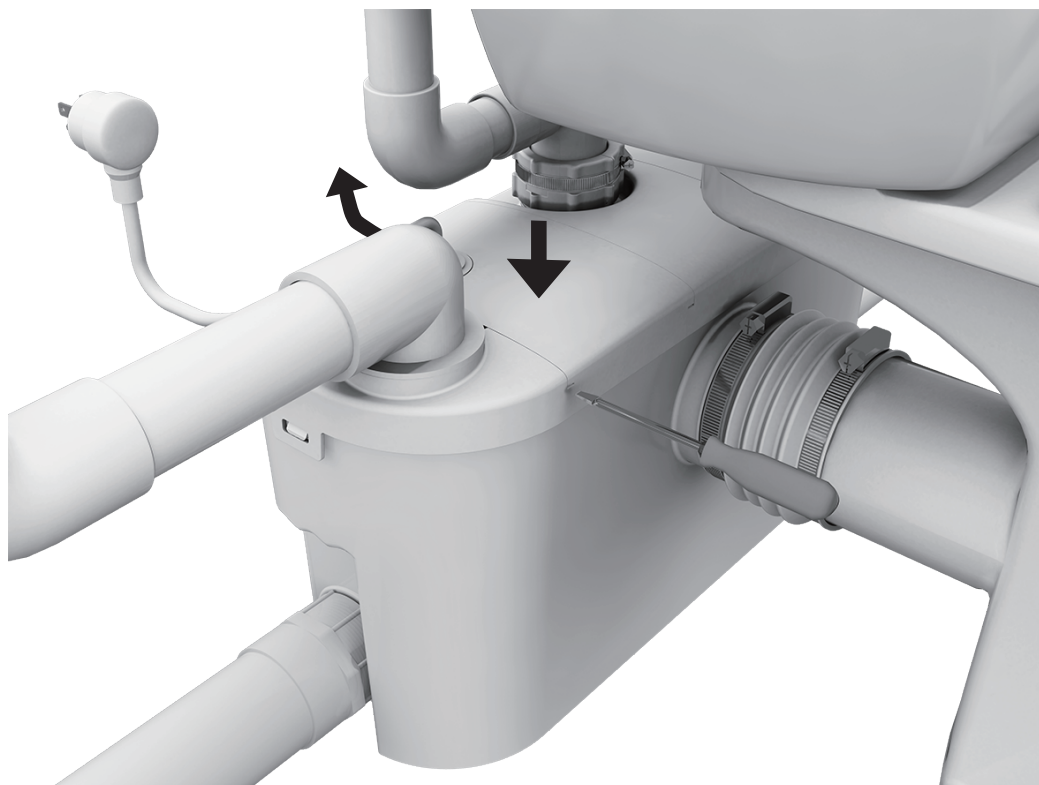


**DANGER –** Risque mécanique. Système de coupe intégré avec bords tranchants.  
Ne pas mettre la main dans la cuve ou le panier de macération – des blessures peuvent survenir.  
Utiliser des outils tels que des pinces à bec effilé pour récupérer les débris dans le panier de macération.

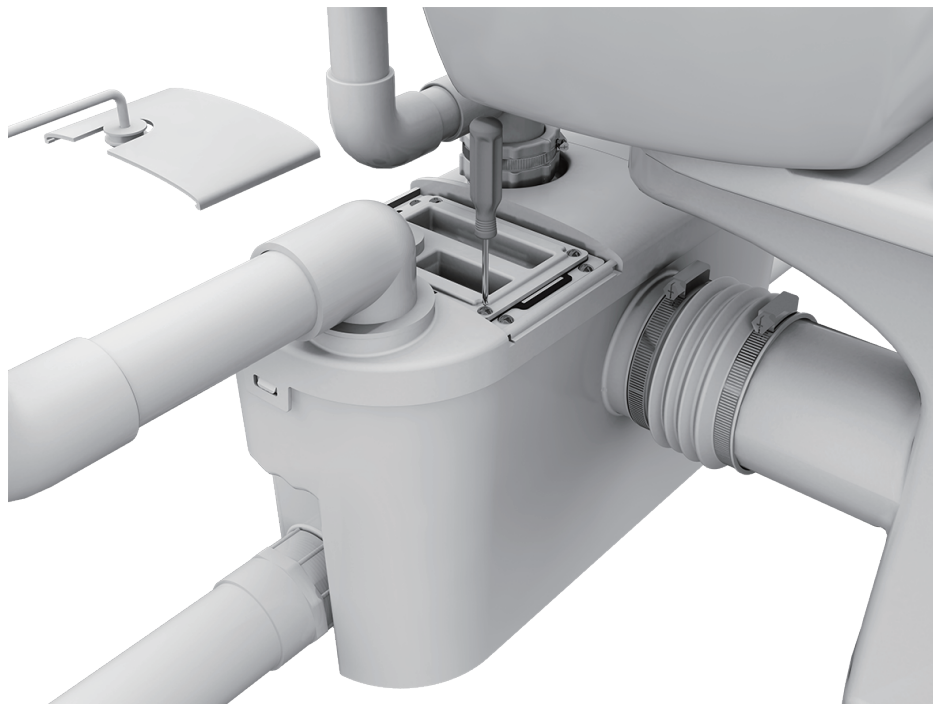


#### ACCÈS AU BOÎTIER DE RACCORDEMENT

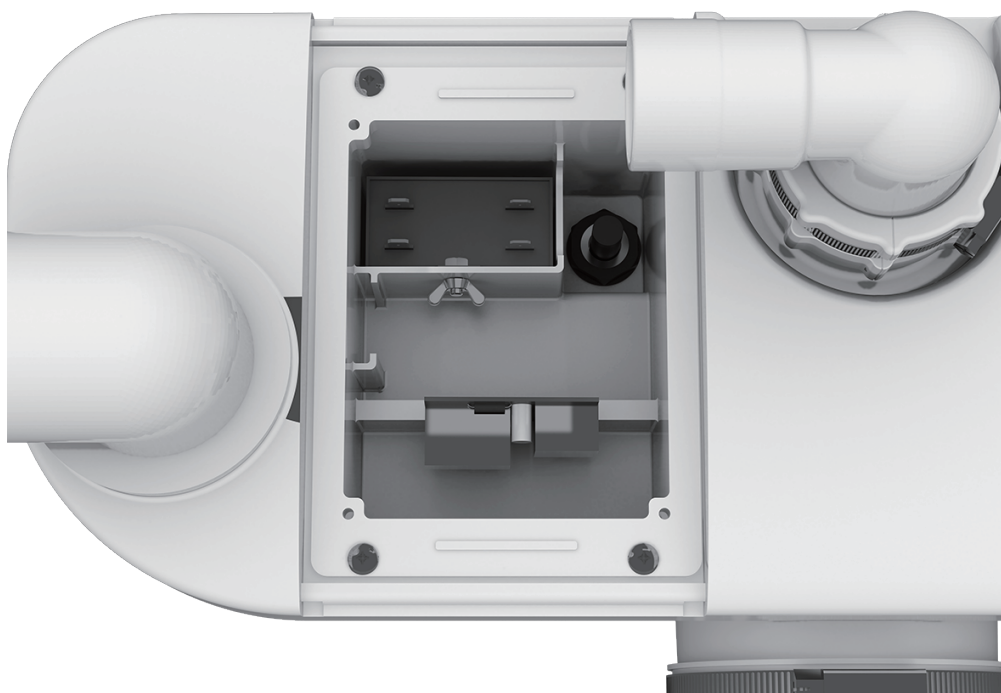
Ouvrir le couvercle décoratif à l'aide d'un tournevis.  
Ou appuyer sur le centre du couvercle décoratif et soulever le côté.

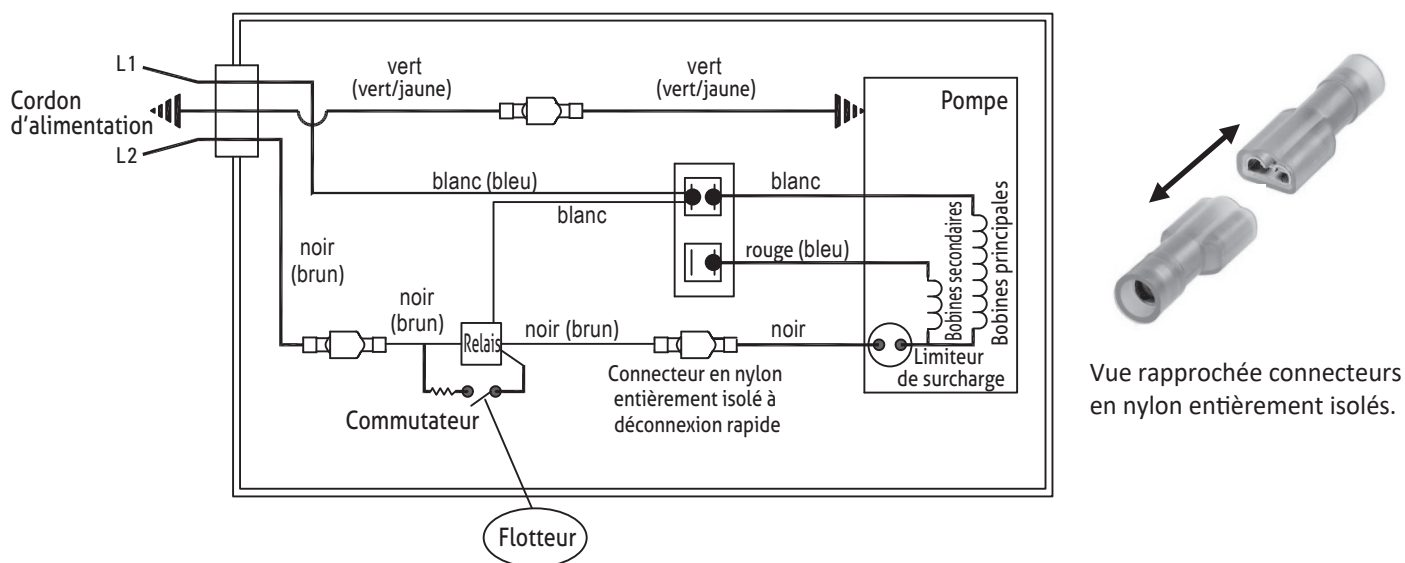


Dévisser le couvercle de la boîte de raccordement à l'aide d'un tournevis pour accéder au condensateur et à l'interrupteur à flotteur.

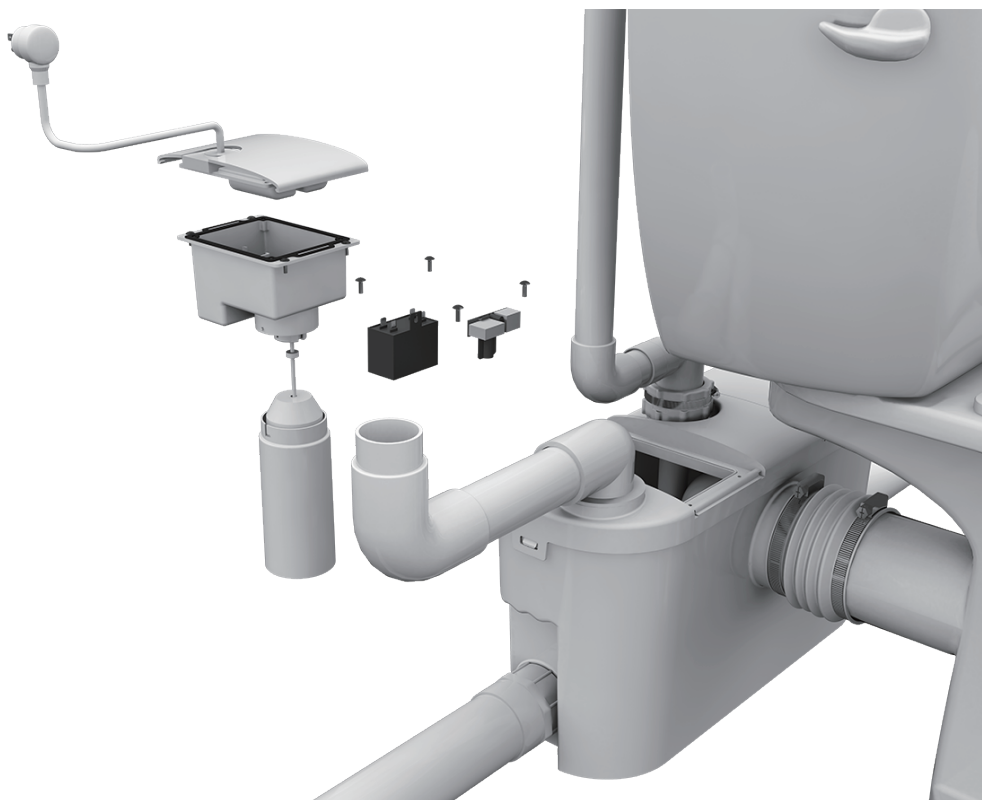


On peut accéder à la boîte de raccordement pour remplacer le condensateur ou pour dépanner le système.



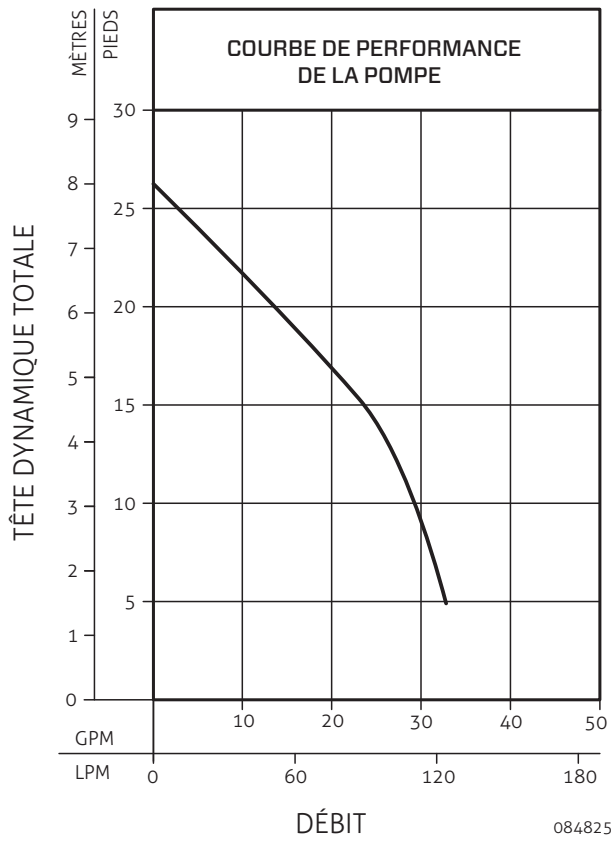
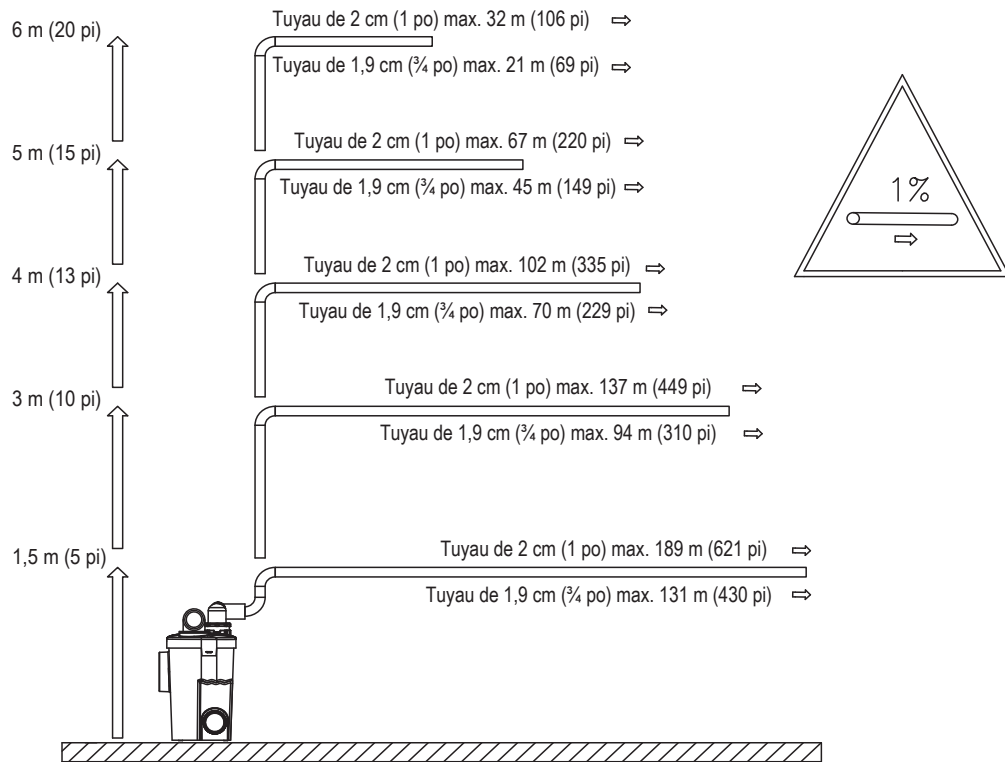


Ensuite, la boîte de raccordement peut être retirée en dévissant les vis supérieures pour accéder au manchon de l'interrupteur à flotteur et à l'intérieur du réservoir.



# ÉTAPE 7

# Performance de la pompe



TÊTE / DÉBIT DYNAMIQUE TOTAL			
Pieds	Mètres	Gallons /min	Litres /min
5	1,5	33,0	124,6
10	3,0	29,6	112,0
15	4,6	23,1	87,6
20	6,1	14,3	54,0
Hauteur à débit neutre :		8 m (26,25 pi)	

084825

Trusted. Tested. Tough®

La información sobre el producto presentado aquí refleja las condiciones al momento de la publicación. Consulte con la fábrica si hay discrepancias o incongruencias.



**60 Hz**

[www.zoellerpumps.com](http://www.zoellerpumps.com)

Register your  
Zoeller Pump Company  
Product on our website:  
<http://reg.zoellerpumps.com/>

**SISTEMA QWIK JON® CHOICE 200**  
**INSTRUCCIONES DE INSTALACIÓN**  
**LISTA DE VERIFICACIÓN PARA**  
**ANTES DE INSTALAR**

FECHA DE INSTALACIÓN:

NÚMERO DE MODELO:

1. Inspeccione todos los materiales. A veces, los productos se dañan durante el envío. Si la unidad está dañada, comuníquese con su distribuidor antes de usarla. **NO** quite los tapones de prueba de la bomba.
2. Lea detenidamente los documentos que se adjuntan para familiarizarse con los detalles específicos respecto a la instalación y el uso. Estos materiales deben conservarse como referencia futura.



**ADVERTENCIA**

**VEA ABAJO LA LISTA DE PRECAUCIONES**

1. Para reducir el riesgo de descarga eléctrica, deben instalarse un receptáculo o caja de control debidamente puestos a tierra según los códigos vigentes. Nunca desconecte el conector de tierra del enchufe.
2. Asegúrese de que el receptáculo o la caja de control protegidos por interruptor con detección de falla a tierra estén al alcance del cable de alimentación eléctrica de la bomba. **NO USE NINGÚN CABLE DE EXTENSIÓN.** Los cables de extensión que son demasiado largos o demasiado livianos no suministran suficiente voltaje al motor de la bomba, y podrían presentar un riesgo de seguridad si el aislamiento se dañara o el extremo de la conexión cayera en un área húmeda o mojada.
3. Asegúrese de que el circuito de suministro eléctrico de la bomba esté equipado con fusibles o disyuntores de capacidad adecuada. Se recomienda un circuito ramal aparte, con las especificaciones de acuerdo con los códigos eléctricos vigentes para la corriente que se muestra en la placa de identificación de la bomba.
4. **Pruebas de tierra.** Como medida de seguridad, cada toma de corriente eléctrica debe ser revisada en cuanto a tierra usando un analizador de circuito de la lista de Underwriters Laboratory, que indicará si los cables de alimentación, neutro y tierra están conectados correctamente a la toma de corriente.
5. **PARA SU PROTECCIÓN, DESCONECTE SIEMPRE LA BOMBA DE SU FUENTE DE ALIMENTACIÓN ANTES DE MANIPULARLA.** Si la bomba tiene cableado directo, desconecte el circuito en la caja de control. **BAJO NINGUNA CIRCUNSTANCIA quite el conector de tierra.** Use calzado con suela de protección aislante y no se pare en el agua. Algunos tipos de enchufes pueden incluir un enchufe con conexión a tierra de 3 clavijas para ayudar a proteger contra las descargas eléctricas. Deben instalarse un receptáculo de 3 clavijas o caja de control debidamente puestos a tierra según los códigos vigentes. Si no lo están, llame a un electricista calificado certificado.
6. La instalación y el mantenimiento de los circuitos eléctricos y el hardware de la bomba solo deben ser realizados por un electricista calificado certificado. Si no lo están, llame a un electricista calificado certificado.
7. La instalación y mantenimiento de este aparato no está dirigida a personas (incluidos niños) con problemas físicos, sensoriales ni mentales, ni que carezcan de experiencia y conocimientos, a menos que hayan recibido la supervisión o instrucciones sobre el uso del equipo por parte de una persona responsable de su seguridad.
8. **Riesgo de descarga eléctrica.** No quite el cable de alimentación eléctrica o el pasacables ni conecte un conducto directamente a la bomba. Si el cable de alimentación está dañado, debe ser reemplazado por un representante autorizado de Zoeller.

9. La bomba contiene aceite, el cual se presuriza y calienta durante la operación. Espere 2-1/2 horas después de desconectar antes de intentar el servicio.
10. La bomba no es apta para agua potable debido a la posible contaminación por el aceite que contiene la bomba.
11. Riesgo de descarga eléctrica. El uso de estas bombas en piscinas y en zonas marinas no ha sido investigado.
12. Advertencia para residentes de California sobre la Prop65: Cáncer y daños reproductivos- [www.P65Warnings.ca.gov](http://www.P65Warnings.ca.gov).

**INSTRUCCIONES DE SEGURIDAD**

**PARA EVITAR LESIONES PERSONALES GRAVES O FATALES O DAÑOS IMPORTANTES A LA PROPIEDAD, LEA Y CUMPLA TODAS LAS INSTRUCCIONES DE SEGURIDAD DE ESTE MANUAL Y DE LA BOMBA.**

**ESTE MANUAL TIENE POR OBJETIVO AYUDAR EN LA INSTALACIÓN Y OPERACIÓN DE ESTA UNIDAD Y DEBE PERMANECER JUNTO A ELLA.**



Este símbolo significa una **ALERTA DE SEGURIDAD.** Si ve este símbolo en la bomba o el manual, busque una de las siguientes palabras de advertencia y póngase sobre aviso de posibles lesiones personales o daños a la propiedad.



**ADVERTENCIA** Advierte de peligros que **PUEDEN** ocasionar graves lesiones personales, la muerte o daños importantes a la propiedad.



**PRECAUCIÓN** Advierte de peligros que **PUEDEN** ocasionar lesiones personales o daños a la propiedad.



Advierte de peligros de descargas eléctricas que podrían ocasionar graves lesiones personales, la muerte o daños importantes a la propiedad.



Identifica cualquier terminal destinado a la conexión a un conductor externo para protección contra descargas eléctricas en caso de falla, o el terminal de un electrodo protector de tierra (tierra).



Lea el manual del operador.

**REVISE A FONDO TODAS LAS INSTRUCCIONES Y ADVERTENCIAS ANTES DE LLEVAR A CABO CUALQUIER TRABAJO CON LA BOMBA. MANTENGA TODAS LAS CALCOMANÍAS DE SEGURIDAD.**

**CONSULTAR LA GARANTÍA EN LA PÁGINA 2.**

P/N 084934

## **⚠ PRECAUCIÓN**

### **VEA A CONTINUACIÓN LA LISTA DE PRECAUCIONES**

1. Esta unidad no está diseñada para manejar ningún otro material que no sean desechos humanos y papel higiénico. La lista de elementos que no se deben utilizar con este sistema incluye, entre otros: productos de higiene femenina, preservativos, bolas e hisopos de algodón, toallitas para bebé, toallas de papel, etc.
2. Compruebe que la fuente de alimentación sea capaz de resistir el amperaje que exige el motor, como se indica en la etiqueta de identificación de la bomba o la unidad.
3. Todas las redes de tuberías (tuberías de descarga y filtro de ventilación de carbono) deben instalarse conforme a los códigos locales. **La unidad debe estar ventilada. No use una ventilación automática de redes de tuberías.**
4. La temperatura de funcionamiento máxima no debe sobrepasar los 40 °C (104 °F).
5. No utilice productos de limpieza que contengan lejía en el tanque del inodoro, el inodoro o en los accesorios conectados ya que degradarán los sellos de la bomba.
6. **Este producto está diseñado para usar únicamente con un inodoro.**
7. Codificación de color de los conductores: Tipo 1 - Fase (marrón), neutro (azul), de tierra (amarillo/verde) Tipo 2 - Fase (negro), neutro (blanco), de

tierra (verde)

8. Advertencia para residentes de California sobre la Prop. 65: Cáncer y daños reproductivos- [www.P65Warnings.ca.gov](http://www.P65Warnings.ca.gov).  
<http://www.P65Warnings.ca.gov/>

## **⚠ NOTAS**

### **VEA A CONTINUACIÓN LA LISTA DE NOTAS**

1. La reparación y el servicio deben ser realizados únicamente por un centro autorizado de servicio y garantía. (Consulte a la fábrica).
2. NOTA: Recomendada para instalaciones de hasta 6 m (20') de carga dinámica total. Consulte a la fábrica si la instalación queda por encima de 5 m (15') de altura vertical con tuberías DN25 (1"). La bomba maceradora está diseñada para ser usada únicamente en las unidades Qwik Jon® Choice. No fue diseñada para ningún otro uso.
3. Las bombas con la marca "cCSAus" y/o con la marca "US" se prueban conforme a la norma UL778 de UL. Las bombas con la marca "cCSAus" están certificadas conforme a la norma CSA C22.2 N.º 108.
4. Todos los accesorios que se conectan al sistema deben estar al mismo nivel de piso.

## **GARANTÍA LIMITADA**

Mientras dure el período de garantía, el Fabricante garantiza al comprador, y al subsiguiente propietario, que los productos nuevos no tendrán defectos de material ni mano de obra por el uso y reparación normales, siempre que se usen y mantengan debidamente, en el curso de un año a partir de la fecha de compra del usuario final o de 18 meses a partir de la fecha de fabricación del producto, lo que ocurra primero. Las piezas que fallen dentro del período de garantía, un año a partir de la fecha de compra o 18 meses a partir de la fecha original de fabricación del producto, lo que ocurra primero, y la inspección delimita que presentan defectos de material o mano de obra serán reemplazadas, reparadas o vueltas a fabricar a opción del Fabricante, no obstante, a condición de que, al hacerlo, no estaremos obligados a reemplazar ningún ensamblaje completo, ningún mecanismo entero ni la unidad íntegra. No se hará ningún descuento a los cargos de envío, daños, mano de obra ni a los demás gastos que puedan surgir debido al fallo del producto, su reparación o reemplazo.

Esta garantía no se aplica, y no habrá tampoco garantía alguna, en caso de que se desensamble cualquier material o producto sin aprobación previa del Fabricante, que sea objeto de mal uso, mal manejo, negligencia, alteración, accidente o desastre natural incontrolable; que no se instale, opere y mantenga conforme a las instrucciones del Fabricante; que se exponga a otras sustancias incluyendo, entre otras, las siguientes: arena, gravilla, cemento, lodo, alquitrán, derivados de hidrocarburos (aceite,

gasolina, solventes, etc.) u otras sustancias corrosivas o abrasivas, toallas de lavado o cualquier otro ente abusivo, etc. en todas las aplicaciones de bombeo. La garantía expresa en el párrafo anterior sustituye a las demás garantías explícitas o implícitas y no autorizamos a ningún representante ni a ninguna otra persona a asumir ninguna responsabilidad en relación con nuestros productos.

Comuníquese con distribuidores autorizados para cualquier reparación o reemplazo de piezas que necesite o para obtener más información con respecto a nuestra garantía.

**EL FABRICANTE RENUNCIA EXPRESAMENTE A TODA RESPONSABILIDAD POR DAÑOS ESPECIALES, EMERGENTES O INCIDENTALES O EL INCUMPLIMIENTO DE LA GARANTÍA EXPLÍCITA O IMPLÍCITA, Y TODA GARANTÍA IMPLÍCITA DE ADECUACIÓN A UN FIN EN PARTICULAR Y/O COMERCIALIZACIÓN TENDRÁ QUE LIMITARSE A LA DURACIÓN DE LA GARANTÍA EXPRESA.**

Algunas jurisdicciones no permiten limitaciones a la duración de ninguna garantía implícita, de modo que es posible que la limitación anterior no sea pertinente en su caso. Algunas jurisdicciones no permiten la exclusión ni la limitación de daños incidentales o emergentes, de modo que es posible que la limitación o exclusión anterior no sea pertinente en su caso.

Esta garantía le otorga derechos legales específicos y también puede tener otros derechos que varían de una jurisdicción a otra.

**En los casos en que ocurran daños como consecuencia de un supuesto fallo de la bomba, el propietario debe conservar la bomba con fines de investigación.**

## **CONSEJOS ÚTILES PARA UNA INSTALACIÓN FÁCIL QUÉ HACER Y QUÉ NO HACER, continuación**

1. Lea todas las instrucciones antes de empezar la instalación.
2. Asegúrese de que el piso esté nivelado dentro de los 3 mm (1/8").
3. Instale el sello de la tubería de ventilación con el lado de la brida del sello en la parte exterior de la tapa.
4. Utilice agua jabonosa para lubricar todos los sellos para ayudar a la instalación.
5. Instale el acople de goma/unión en la tubería de ventilación para ayudar al desarmado.
6. No apriete demasiado los tornillos de montaje del inodoro.
7. No use un dispositivo automático de ventilación de redes de tuberías.
8. Obtenga el número de modelo y el código de fecha, y registre la información en el espacio provisto en la parte frontal de este manual. Consulte esta información cuando llame a la fábrica.

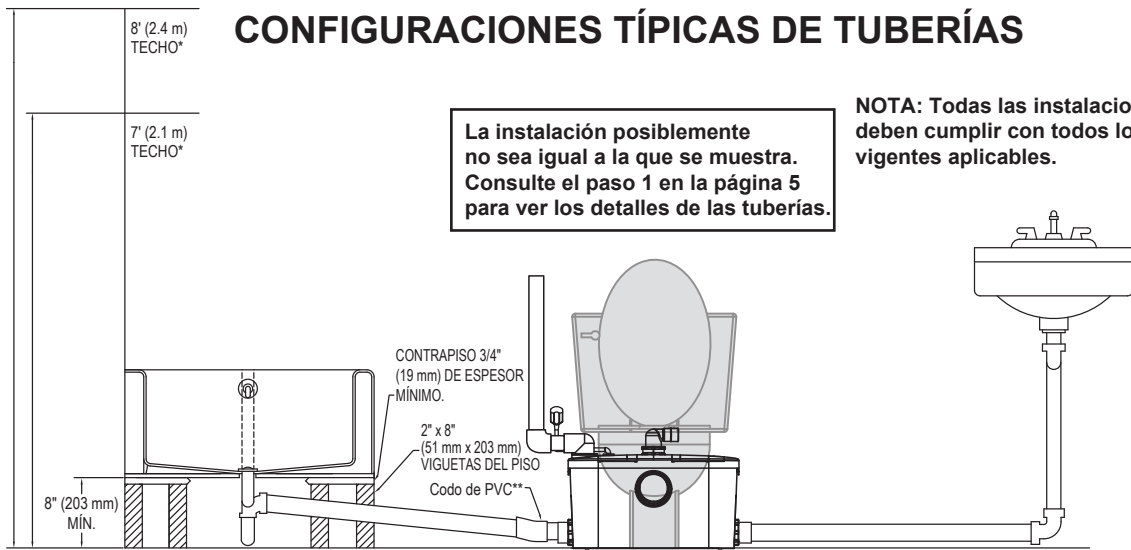
### **QUÉ HACER Y QUÉ NO HACER CUANDO SE INSTALA UNA UNIDAD**

1. LEA detenidamente todo el material de instalación incluido con la unidad.
2. INSPECCIONE la unidad para verificar si hay algún daño visible causado durante el envío.  
Contacte al distribuidor si la unidad parece estar dañada.

3. LIMPIE toda la suciedad visible en la unidad.
4. SIEMPRE levante la unidad por las manijas integradas.
5. DESCONECTE siempre la bomba de su fuente de alimentación antes de manipularla. CONÉCTELA siempre a un circuito separado protegido y debidamente conectado a tierra. NO corte, empalme o dañe nunca el cable de alimentación. NO cargue o levante la bomba por el cable de alimentación. NO use ningún cable de extensión.
6. INSTALE una válvula de bola o de paso y una unión en la línea de descarga posterior a la válvula de retención.
7. PRUEBE la bomba inmediatamente después de la instalación para asegurarse de que el sistema funciona correctamente.
8. REVISE cuidadosamente todos los códigos locales y nacionales aplicables y verifique que la instalación cumpla con cada uno de ellos.
9. Las lavadoras y lavaplatos son ejemplos de equipos que NO recomendamos.
10. INSPECCIONE y pruebe el sistema para asegurarse de que funciona correctamente al menos cada 3 meses.



# CONFIGURACIONES TÍPICAS DE TUBERÍAS



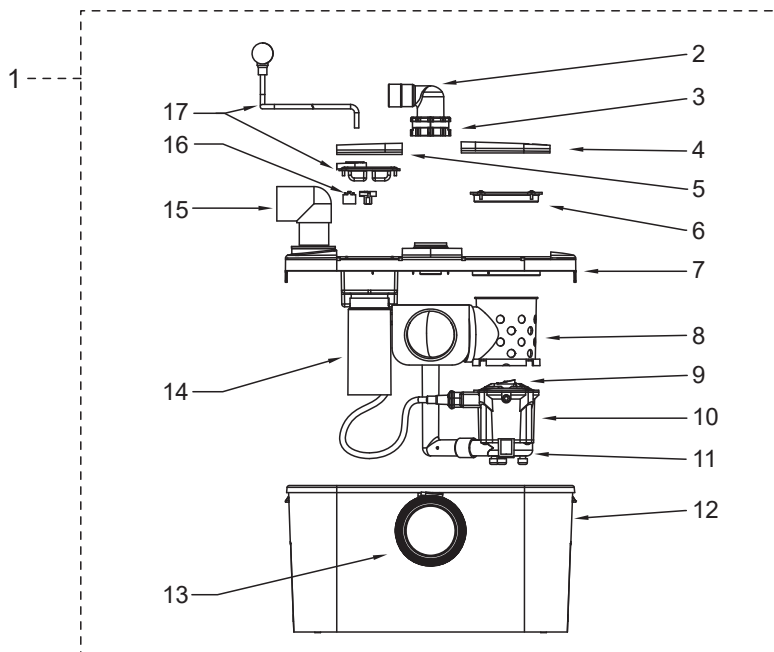
La instalación posiblemente no sea igual a la que se muestra. Consulte el paso 1 en la página 5 para ver los detalles de las tuberías.

NOTA: Todas las instalaciones deben cumplir con todos los códigos vigentes aplicables.

\*\*Las alturas de techo que se muestran son solo para referencia.

\*\*Opción: manguera con abrazadera.

## PIEZAS DE REPUESTO



Componente	Descripción	Juego de reparación o número de pieza
1	Sistema de extracción de aguas negras Qwik Jon®Choice	200-0006
2	Juego de reparación del ensamblaje de la tubería de salida	084839
3	Juego de reparación del ensamblaje de la válvula de retención	084854
4	Juego de reparación de la cubierta decorativa de la bomba	084855
5	Juego de reparación de la cubierta decorativa de la caja de conexión	084856
6	Juego de reparación de la cubierta de la bomba	084846
7	Juego de reparación de la cubierta del tanque	084847
8	Juego de reparación del cesto de filtro y del codo de la tubería de entrada	084848
9	Juego de reparación del juego del cortador	084844
10	Juego de reparación de la bomba, codo de tubería de descarga y espiral	084852
11	Juego de reparación de espiral, codo de tubería de descarga, almohadillas de patas, almohadillas de seguridad y tornillos	084850
12	Juego de reparación del tanque	084853
13	Juego de reparación del fuelle	084840
14	Juego de reparación del flotador	084841
15	Montaje de PVC 1.5"90D Street El / Spigot x Kit de reparación de enchufe	017364
16	Juego de reparación del condensador y placa del circuito	084859
17	Junction Box Repair Kit	084860

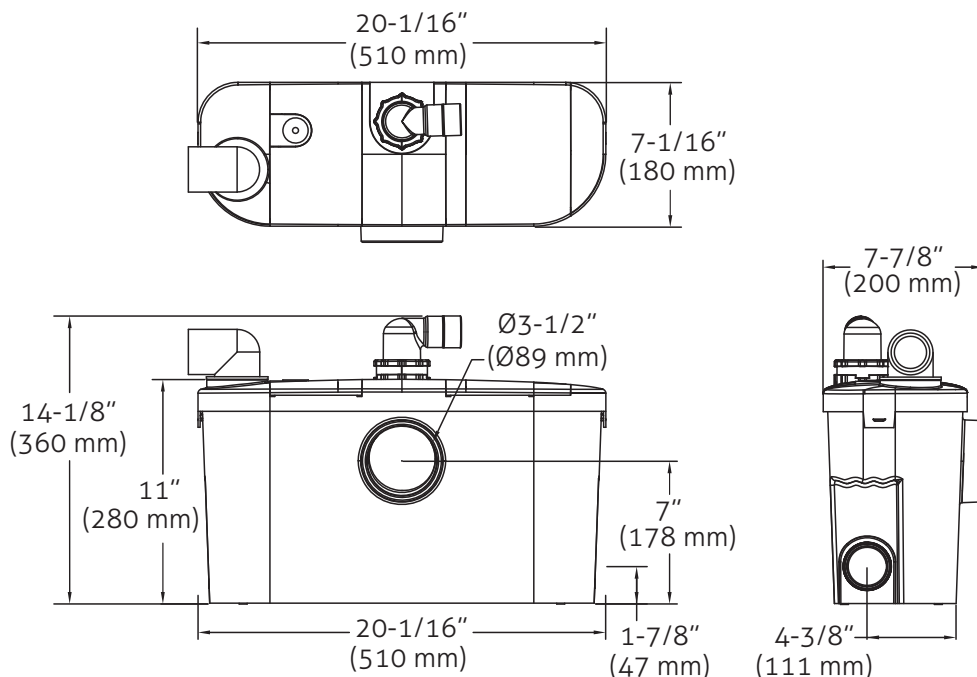
## SOLUCIÓN DE PROBLEMAS

CONDICIÓN	CAUSA POSIBLE	SOLUCIÓN
A. LA BOMBA NO ARRANCA O NO TRABAJA.	Bajo voltaje, circuito abierto, condensador defectuoso.	Pídale a un electricista calificado que revise el circuito.
	Impulsor y cortador atascados.	Comuníquese con un centro autorizado de servicio y garantía de Zoeller.
	Motor o cableado en cortocircuito.	
	Suciedad en el interruptor de flotador.	Elimine la suciedad.
B. LA BOMBA NO SE APAGA O TRABAJA DURANTE MUCHO TIEMPO ANTES DE BOMBEAR EL AGUA.	Suciedad bajo el flotador.	Eliminar la suciedad del flotador y alrededor del mismo.
	Interruptor del flotador defectuoso	Comuníquese con un centro autorizado de servicio y garantía de Zoeller.
	La bomba está bloqueada por aire.	Asegúrese de que el orificio de ventilación en la tubería de descarga esté limpio.
	Se ha acumulado material de desecho, lo que bloquea el flujo del material hacia la entrada de la bomba.	Mantenga hacia abajo la palanca del tanque del inodoro durante 15 segundos. Si la unidad no se limpia, desenchufe y espere 30 minutos. Enchufe nuevamente la unidad y repita. Si la unidad todavía no se apaga, deberá abrirla y eliminar la suciedad.
C. LA BOMBA TRABAJA PERO SACA MUY POCAGUA O NADA	Hay suciedad alrededor de la entrada.	Limpie el área alrededor de la entrada.
	Obstrucción en la tubería de descarga.	Retire la tubería y lave la suciedad.
	Voltaje bajo o incorrecto.	Pídale a un electricista calificado que revise los cables de la caja.
	Impulsor dañado.	Comuníquese con un centro autorizado de servicio y garantía de Zoeller.
	Ajuste incorrecto del flotador.	Comuníquese con el departamento de apoyo al producto.
	La bomba está bloqueada por aire.	Asegúrese de que el orificio de ventilación en la tubería de descarga esté limpio.
	Elevación vertical demasiado alta.	Cambie la tubería de descarga o comuníquese con el departamento de apoyo al producto.

Si la lista de verificación anterior no resuelve el problema, consulte al departamento de apoyo al producto de Zoeller a través. No intente reparar ni desarmar la bomba usted mismo.

Cuidado del acabado: todo lo que se recomienda para limpiar la parte exterior del tanque es agua y jabón. Otros productos de limpieza podrían provocar decoloración y arañazos.

### DIMENSIONES



## PASO1

## SELECCIÓN DE UBICACIÓN

**Planifique con cuidado su nueva instalación.**

**Piso:** el piso debe ser estructuralmente firme y estar nivelado dentro de los 1/8" (3 mm). Si el piso no está nivelado, utilice cemento hidráulico o un material similar para nivelarlo.

**Agua:** se necesitará un suministro de agua para que funcione el inodoro.

Por lo general, es suficiente una línea DN15 (1/2") con una válvula de cierre

**Electricidad:** se necesitará un receptáculo de voltaje adecuado para suministrar energía eléctrica a la bomba.

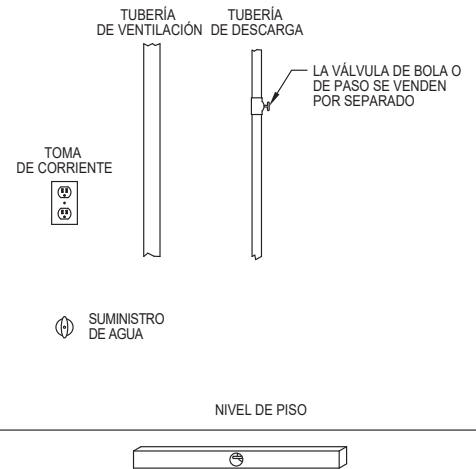
**Aguas negras:** se requiere acceso a una línea de aguas negras.

Qwik Jon® Choice requiere una línea de descarga de aguas negras DN25 (1") (o DN20 [3/4"] si el código local lo permite) para conectarse a una línea de aguas negras existente. Se debe instalar una válvula de bola o de paso en la línea de descarga.

**Ventilación:** en ciertos mercados se requiere acceso a una tubería de ventilación. NO se recomienda el uso de un sistema de ventilación mecánica ya que el inodoro no se descargará

**Filtro de ventilación de carbono opcional:** reemplace el filtro de carbono periódicamente. NO se recomienda el uso de un sistema de ventilación mecánica ya que el inodoro no se descargará

**NOTA:** Si se va a utilizar una instalación empotrada, ubique la bomba en un área que permita acceso a la bomba y al interruptor.



## QWIK JON® CHOICE MODELO 200



### ADVERTENCIA

1. Desconecte siempre la fuente de alimentación antes de instalar, reparar o realizar el mantenimiento del servicio.
2. No manipule nunca la bomba con las manos mojadas o cuando esté parado sobre una superficie mojada, húmeda o con agua. Puede ocurrir una descarga eléctrica mortal.

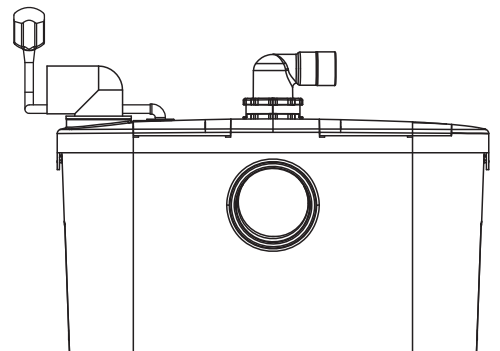
## PASO2

## NIVELACIÓN DE LA BOMBA

**PRECAUCIÓN** ¡No utilice cuñas de madera para nivelar la bomba!

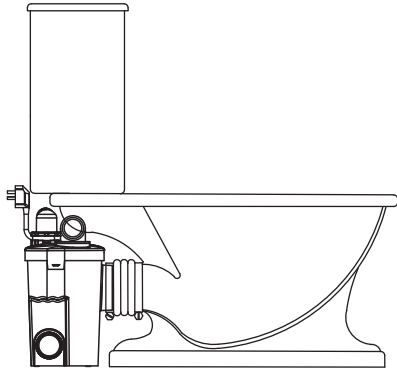
**PRECAUCIÓN** ¡Asegúrese de que los clavos, tornillos u otros objetos afilados no perforen la bomba!

Nivele la bomba en 1/8" (3 mm) utilizando cemento hidráulico o un material similar.



**(INSTALACIÓN INDEPENDIENTE)**

- 1) Posicionar la unidad a una distancia mínima de 1/8" (3 mm) de la pared, estando la entrada del equipo alejada de la pared. Conectar el fuelle a la entrada usando la abrazadera de tornillo sin fin provista.
- 2) Colocar el inodoro frente a la unidad de bombeo alineando la descarga del inodoro con la entrada de la unidad. Asegúrese de que el fuelle cubra todo el espacio de manera correcta en la instalación. El tanque del inodoro deberá estar a una distancia mínima de 1/2" (13mm) de la pared.
- 3) Marque ligeramente las ubicaciones de la bomba, el inodoro y los tornillos de anclaje en el piso. Marque ligeramente la pared con la altura de la bomba y la parte inferior y los laterales del tanque del inodoro para asegurarse de que no haya luego interferencias por los recorridos de las tuberías.
- 4) Quite el inodoro de la bomba y déjelo a un lado.

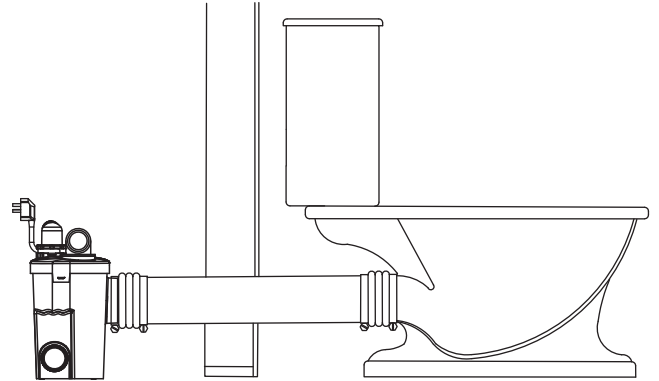
**(INSTALACIÓN DETRÁS DE LA PARED)**

- 1) Para instalar la bomba detrás de una pared se necesitará un juego de extensión (N/P 10-2123) que se vende por separado.
- 2) Ubique el montaje del inodoro a una distancia mínima de 1/2" (13 mm) de la pared y marque la ubicación de los tornillos de anclaje en el piso.
- 3) Mida la distancia adecuada de la tubería cedula 40 PVC de 3 1/2" provista con el juego de extensión y córtela a medida. Vea el croquis a continuación.
- 4) Deje el inodoro a un lado.

**⚠ PRECAUCIÓN**

El montaje del inodoro es muy pesado.

Tome precauciones especiales para asegurarse de que el inodoro no se vuelque y se rompa.



Conecte la tubería de descarga trasera del inodoro a la entrada frontal del Qwik Jon<sup>®</sup> Choice con abrazaderas de manguera. Asegúrese que las conexiones se realicen siguiendo los códigos locales, regionales y estatales.



- 1) Corte y ajuste en seco la tubería y los conectores como se requiere para una tubería de 1" (DN25) de diámetro de descarga (puede ser reducido a ¾" (DN20) de diámetro si los códigos locales lo permiten).
- 2) Al ajustar la tubería de descarga en seco, se debe establecer y marcar la ubicación del conector de descarga.
- 3) Corte y ajuste en seco la tubería de ventilación DN40 (1½") según se requiera para asegurar que la tubería de ventilación no interfiere con otros componentes. Realice la conexión con la bomba con el codo macho-hembra provisto. Se ha proporcionado un conector de descarga de 2" x 1" de 90°.

**⚠ PRECAUCIÓN** Se necesita ventilación adecuada.

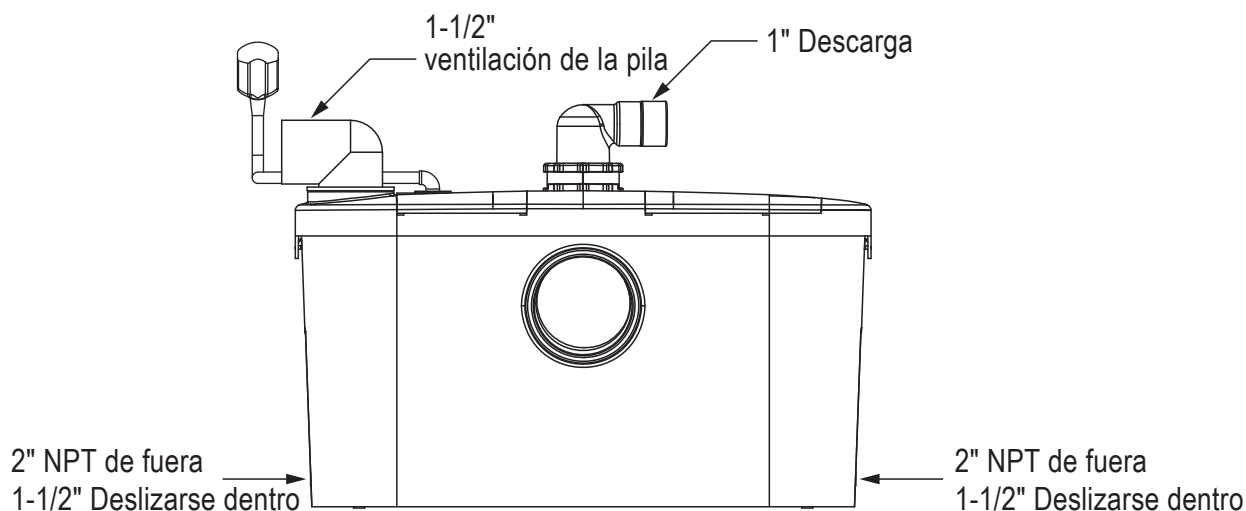
- 4) Coloque temporalmente el inodoro en su lugar para verificar que no hay interferencias con las tuberías. Quite el inodoro y déjelo a un lado.
- 5) Limpie, cebe y suelde en frío la tubería de descarga y el conector de descarga de la bomba

**⚠ PRECAUCIÓN** Al aplicar soldadura en frío al conector de descarga, asegúrese de que no entra nada en el conjunto de válvula de retención. Preste mucha atención a la correcta alineación del conector de descarga marcado previamente.

- 6) Para mercados que requieren una tubería de ventilación, limpiar y soldar en frío la tubería de ventilación según se requiera para una ventilación apropiada.
- 7) Filtro de ventilación de carbono opcional:  
Para mercados donde se permite un filtro de ventilación de carbono, reemplace el filtro de carbono periódicamente para que la ventilación funcione de manera adecuada.

**Nota:** Agregar otros accesorios de baño - El Qwik Jon® Choice está diseñado para aceptar accesorios de baño adicionales a través de las dos entradas laterales. Estas entradas se pueden unir mediante el MPT de 2" (diámetro exterior) o el deslizamiento de 1-1/2" (DN40) (diámetro interior). Estas entradas deben tener el orificio interior perforado con una sierra de perforación de 1-3/4" (44 mm). Esto es para garantizar que no haya problemas de fugas de entradas que no estén seguras. Cuando utilice entradas laterales, instale una válvula de retención en la entrada línea.

**⚠ PRECAUCIÓN** Una vez que se haya perforado la abertura de entrada lateral, elimine las rebabas y los bordes ásperos para evitar la posibilidad de obstrucciones.



Conecte los tubos de entrada deseados de otros accesorios a las entradas laterales del Qwik Jon® Choice. Hay que hacer un agujero en la entrada lateral.



Conecte la tubería de descarga a la parte superior del Qwik Jon® Choice.



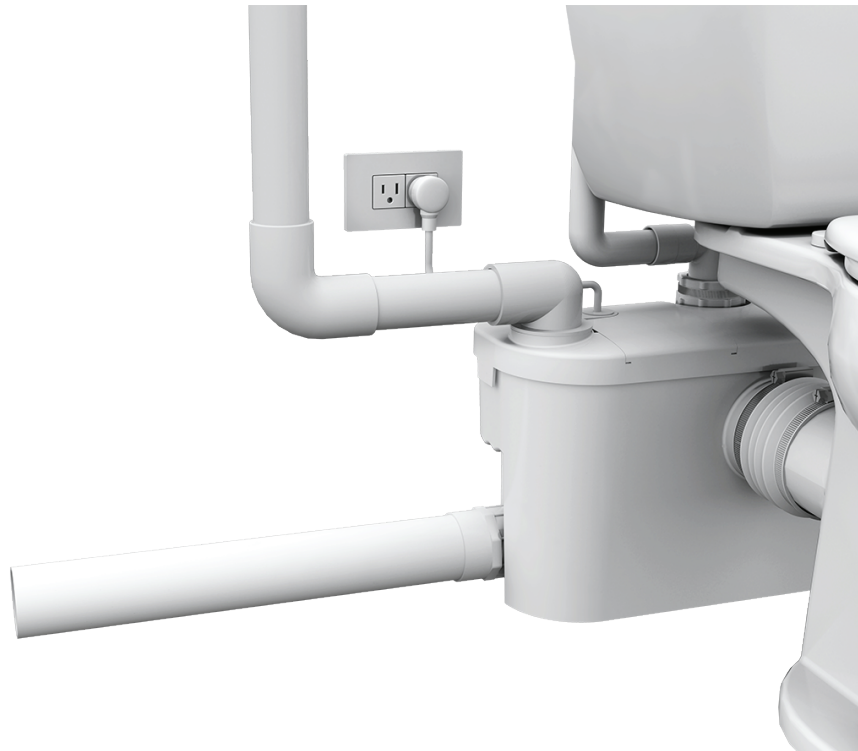
Si lo prefiere, conecte todas las tuberías de entrada al Qwik Jon® Choice



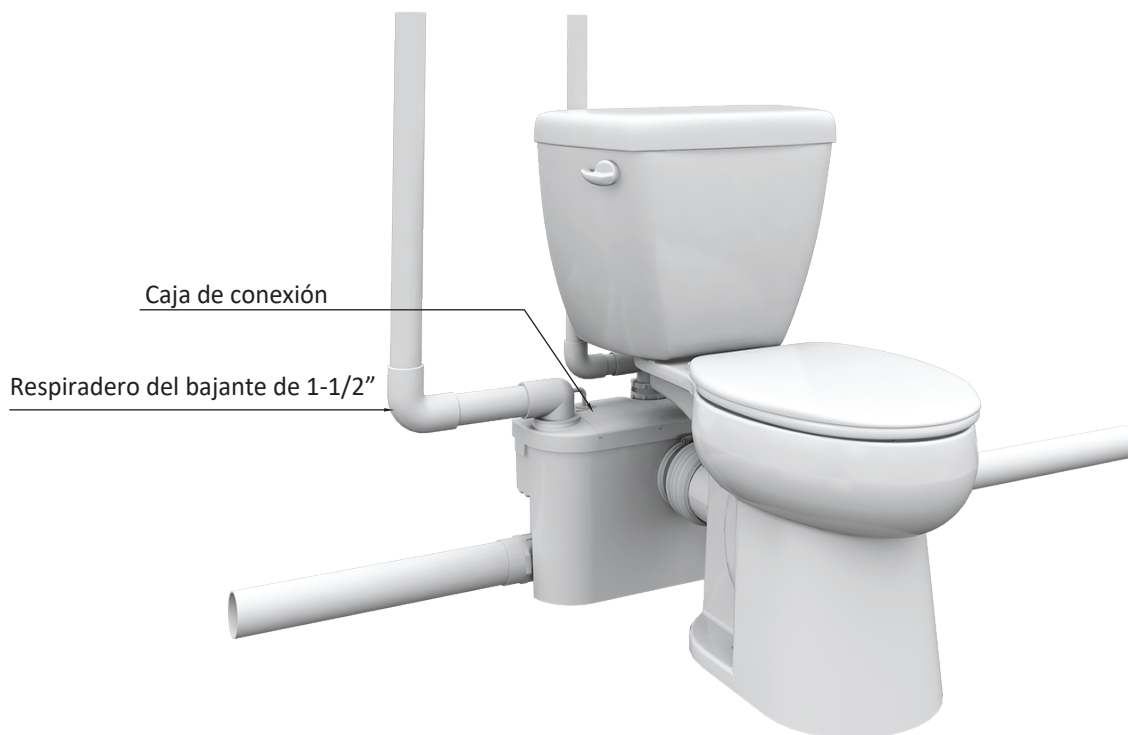
## PASO 5

## ENERGÍA

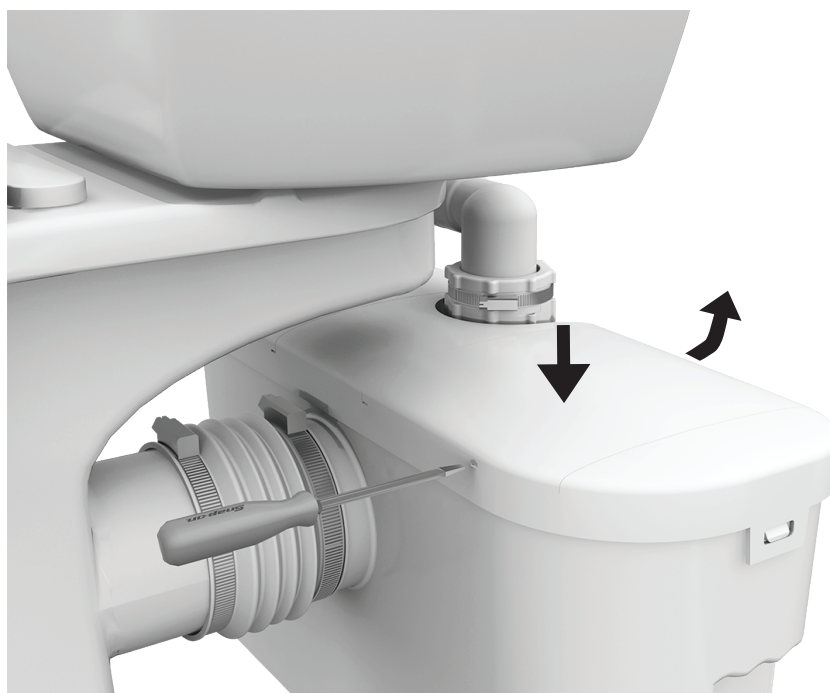
Conecte el cable de alimentación a un enchufe de pared para energizar la unidad.



**ADVERTENCIA -** Peligro mecánico y eléctrico. Desconecte de la fuente de energía eléctrica antes de manipular el equipo para inspección o mantenimiento.  
Este equipo solo debe ser inspeccionado y realizarse el mantenimiento por un profesional calificado.

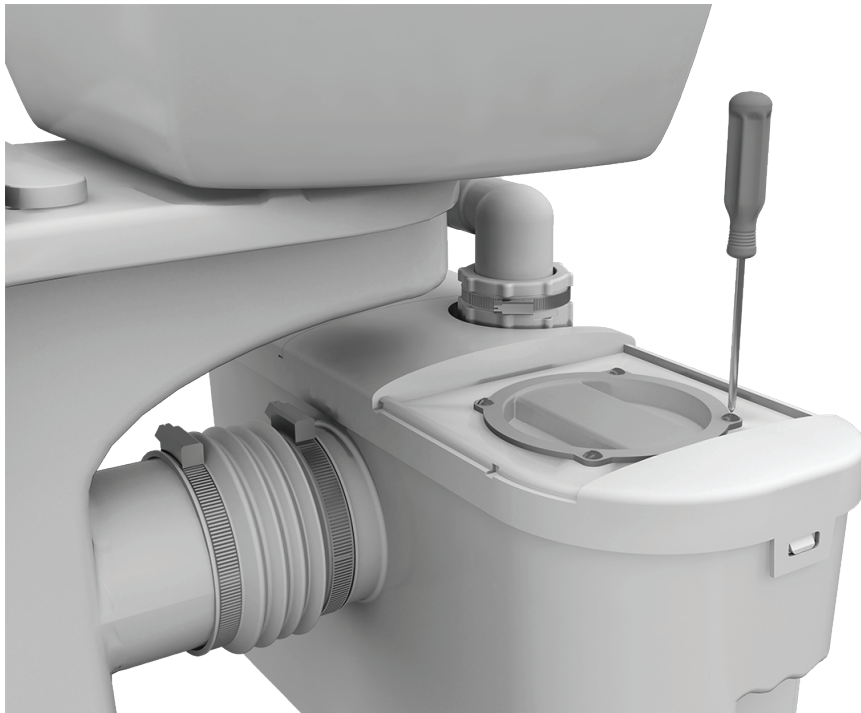


Afloje la cubierta decorativa para abrirla con un destornillador.  
O presione hacia abajo en el centro de la cubierta decorativa y levante el costado.





Desenrosque la tapa protectora de la cesta de maceración con un destornillador.



Abra la cesta de maceración quitando la tapa protectora.

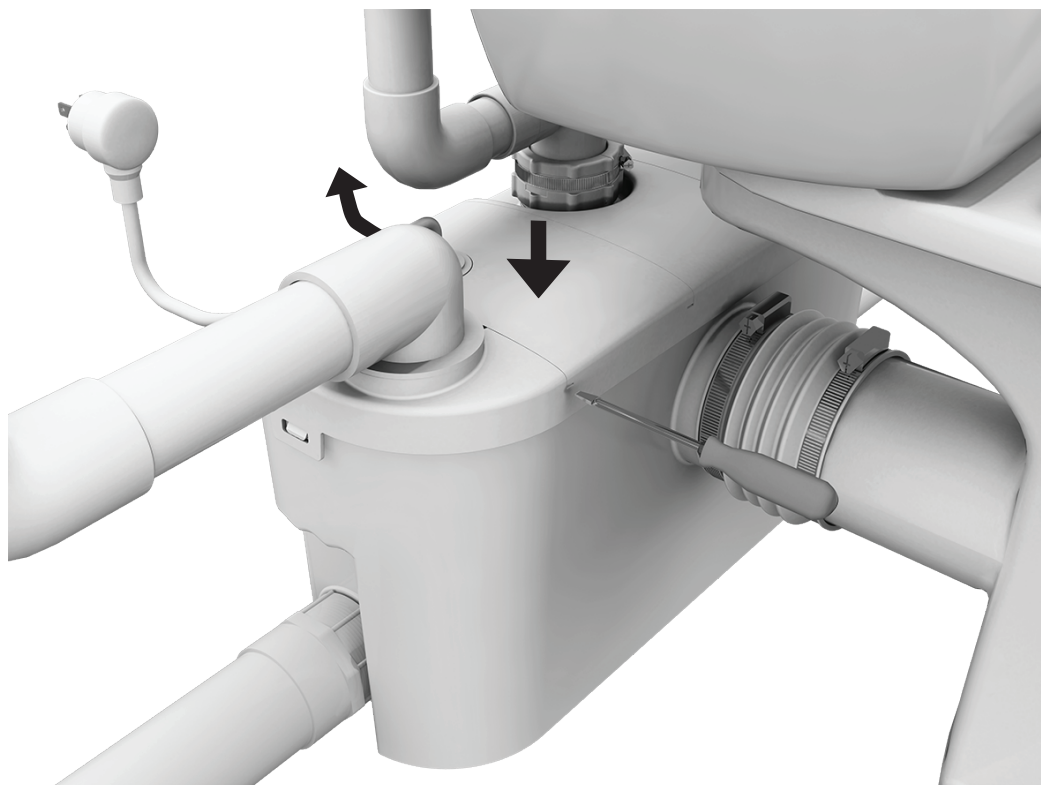


**PELIGRO** - Riesgo mecánico. Sistema de corte integrado con bordes afilados.  
No meta la mano dentro de la cesta o el tanque de maceración, se puede lastimar.  
Utilice herramientas como pinzas de punta de aguja para quitar la suciedad de la cesta de maceración.

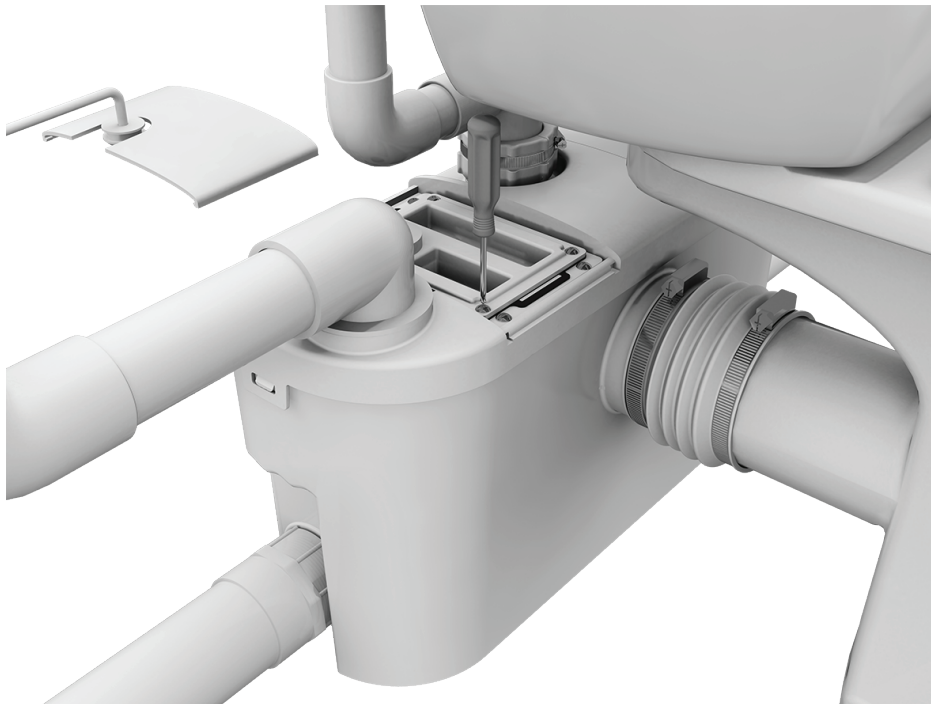


#### ACCESO A LA CAJA DE CONEXIÓN

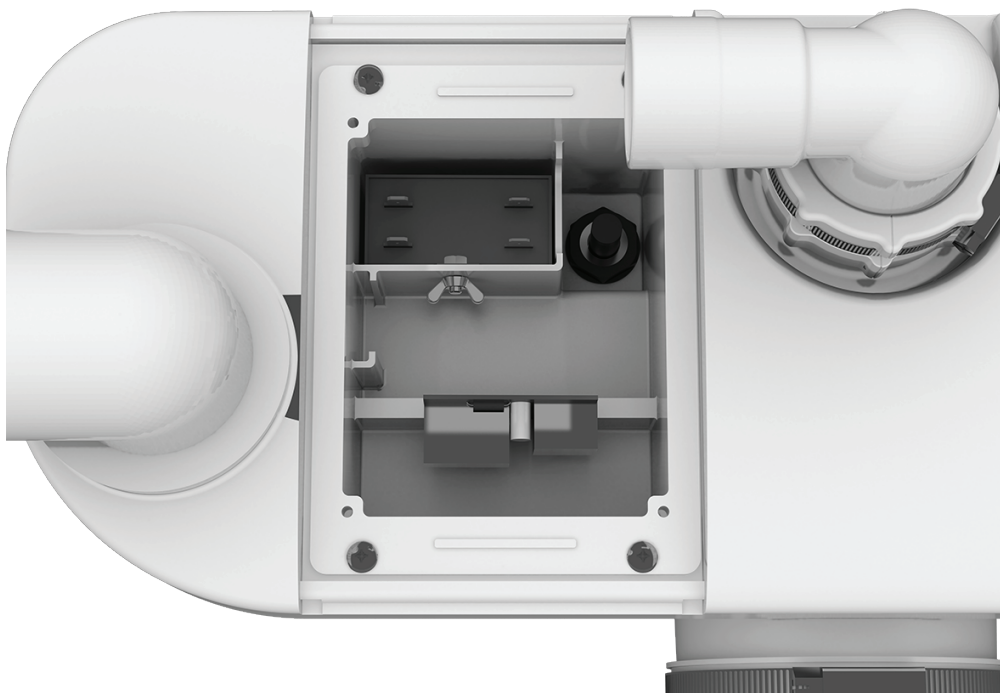
Afloje la cubierta decorativa para abrirla con un destornillador.  
O presione hacia abajo en el centro de la cubierta decorativa y levante el costado.

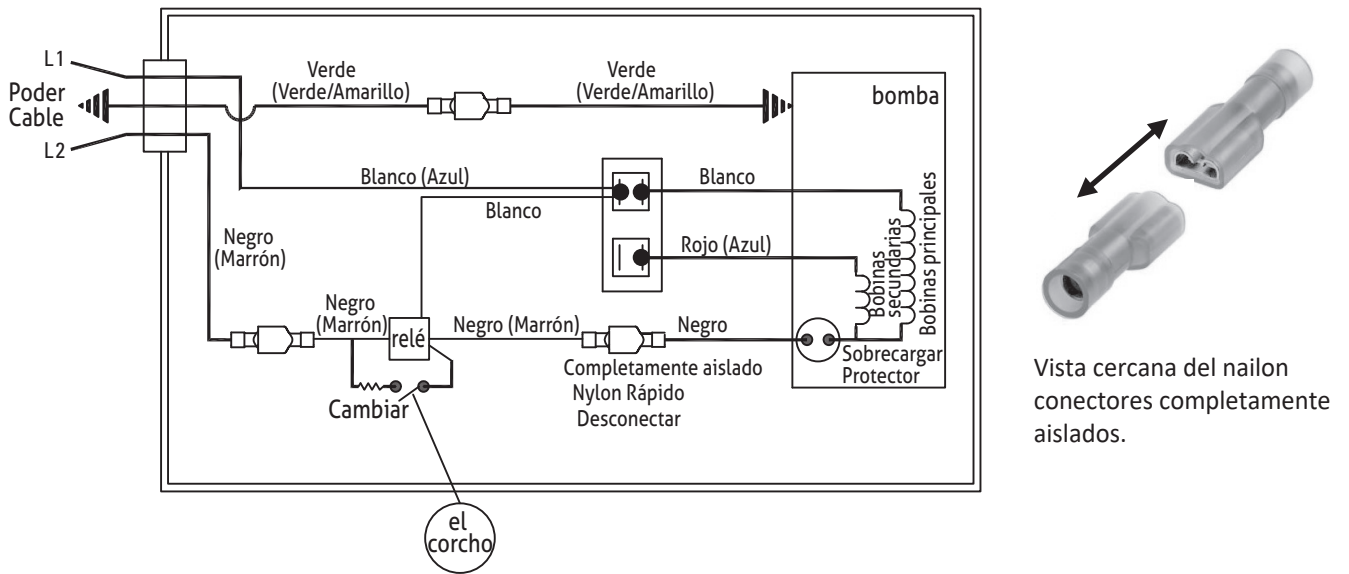


Desenrosque la tapa de la caja de conexión con un destornillador para acceder al condensador y al interruptor de flotador.

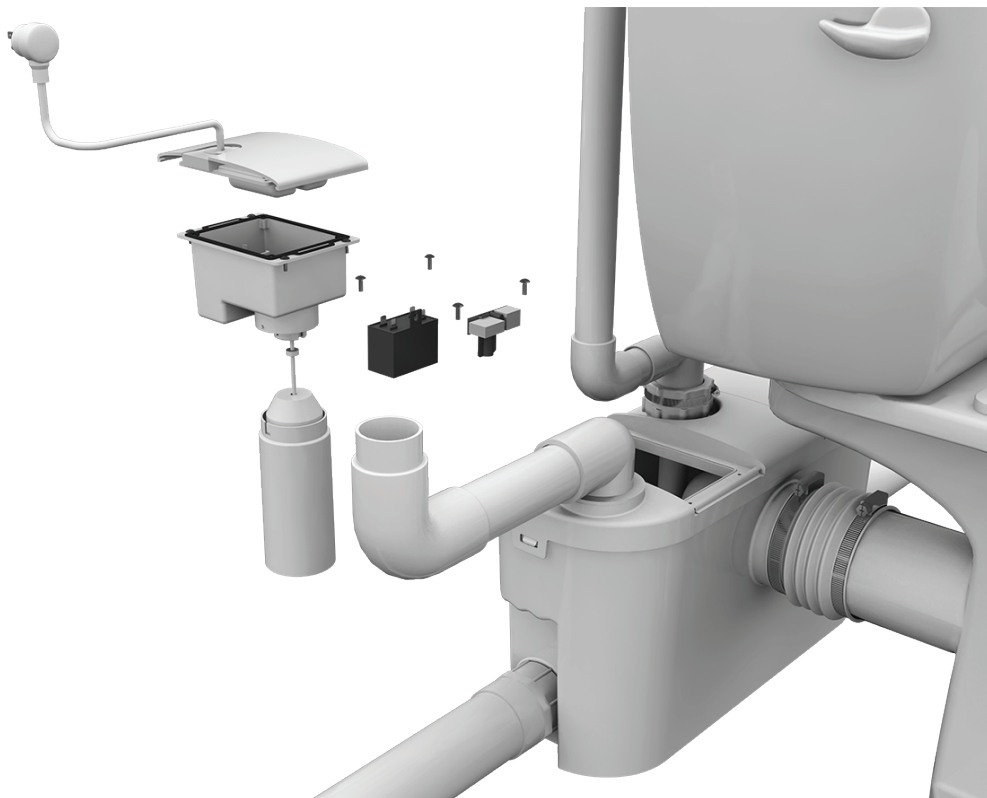


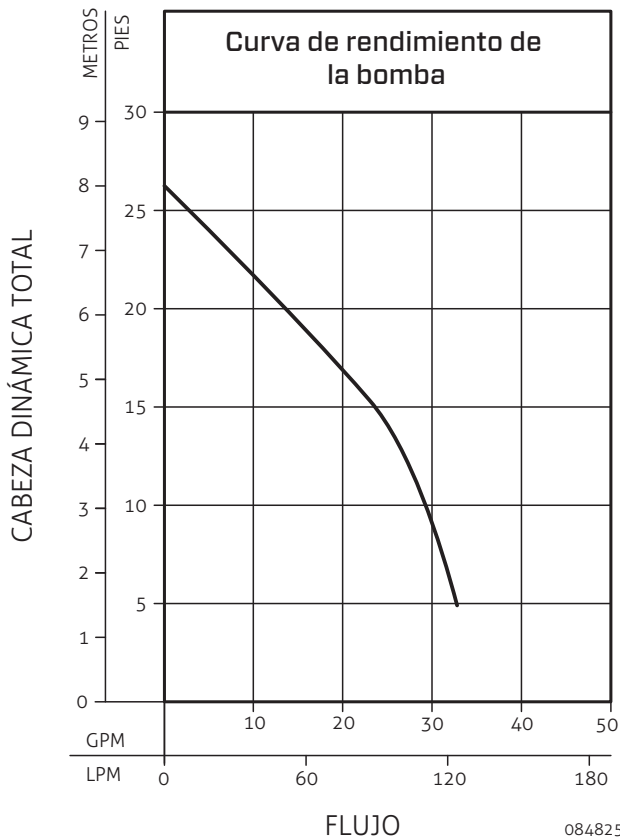
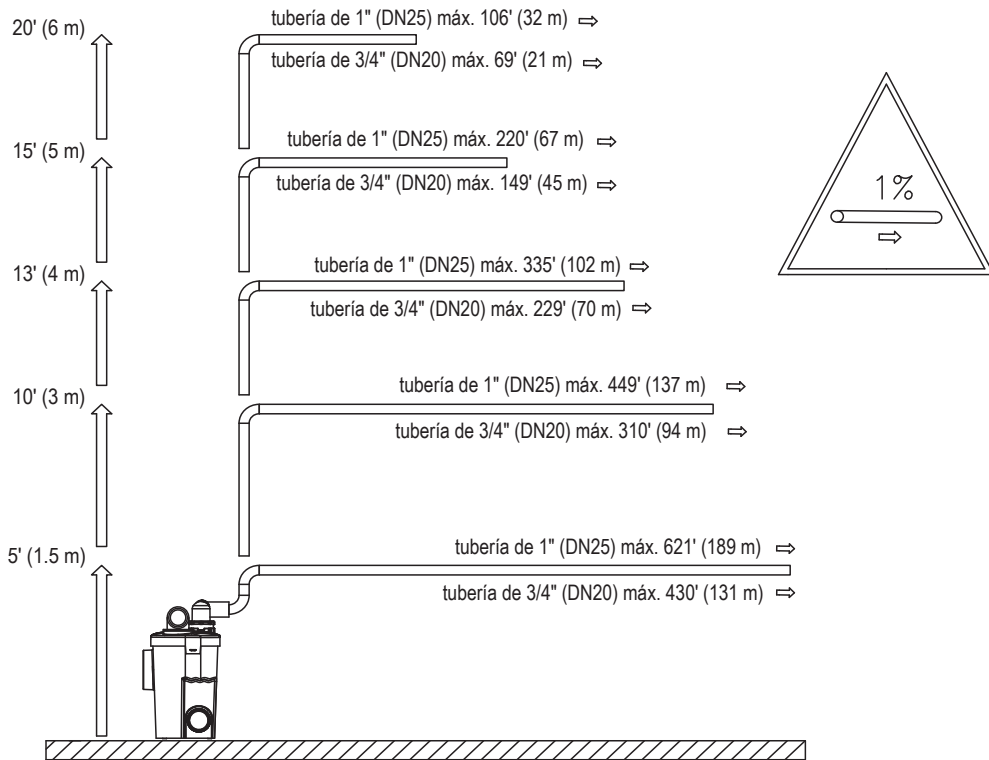
Se puede acceder a la caja de conexión para reemplazar el condensador o arreglar el sistema.





Se puede retirar aun más la caja de conexión al desenroscar los tornillos superiores para tener acceso al manguito del interruptor de flotador y la parte interna del tanque.





CABEZA DINÁMICA TOTAL/FLUJO			
Pies	Metros	Galones /minuto	Litros /minuto
5	1.5	33.0	124.6
10	3.0	29.6	112.0
15	4.6	23.1	87.6
20	6.1	14.3	54.0
Cabeza de cierre:		26.25pies (8 m)	