

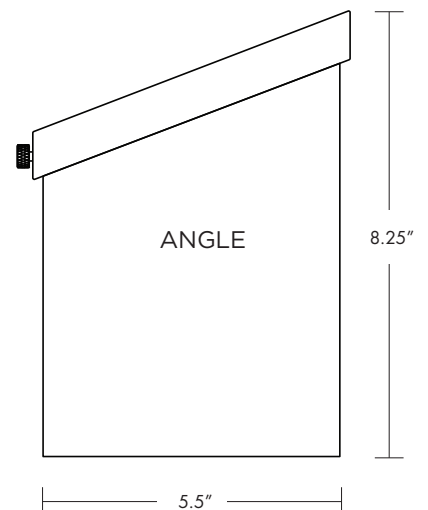
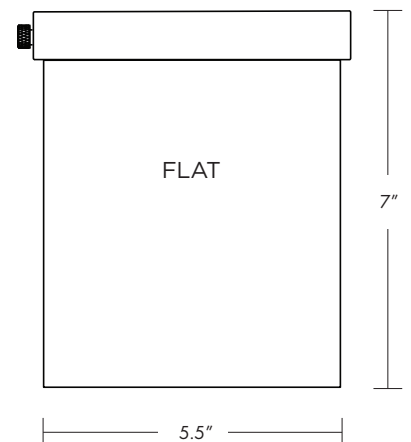
# YOSEMITE PAR36 Well Light

## DESCRIPTION

The Yosemite Well Light comes in two glass top variations: flat or angled. Both the flat and angled top come in a black finish. The Yosemite is fitted for any of our PAR36 lamps and really comes to life with the Chameleon PAR36 for RGBW applications.

### YOSEMITE WELL LIGHT

Use	<b>Well Lighting &amp; Underground Up Lighting</b>	
Finish	Top: <b>Blackened Brass</b> Body: <b>Composite</b>	
Includes	<b>Heavy-Duty Stainless Steel Adjustable Gimbal, LightingShrink Professional Crimp and Heat Shrink Cable Connector</b>	
Order With Lamp	<b>PAR36, 7W, 2700K, 30°</b>	YOSEMITE-WL-PAR36-FLAT YOSEMITE-WL-PAR36-ANGLE
Order Without Lamp	<b>Fits Chameleon PAR36, PAR36</b>	YOSEMITE-WL-PAR36-FLAT-NL YOSEMITE-WL-PAR36-ANGLE-NL





**YOSEMITE-WL-PAR36-FLAT**

#### **INSTALLING THE LAMP**

1. Loosen the thumbscrew on the lens cap and remove the lens cap and the stainless steel gimbal from inside the Yosemite.
2. Install the lamp and snap it into the gimbal.
3. Return the gimbal to the Yosemite.
4. Place the lens cap and tighten the thumbscrew to protect from debris.

#### **INSTALLING THE FIXTURE**

1. Dig a hole in the ground approximately 12" wide by 14" deep.
2. Connect the power cable to the fixture, leaving 2 feet of wire coiled in the bottom of the fixture for future service.
3. Pour 8" of pea gravel in the hole.
4. Place the fixture in the center of the hole.
5. Add more pea gravel to fill the hole 1" before the fixture lip. This allows for proper drainage around the fixture.
6. Place the specified lens assembly on the top of the fixture and tighten the set screw. Use the specified lens in all applications to protect from debris.
7. Apply glass wax on top of the lens to protect against standing water.