

TEE WALL WASHER

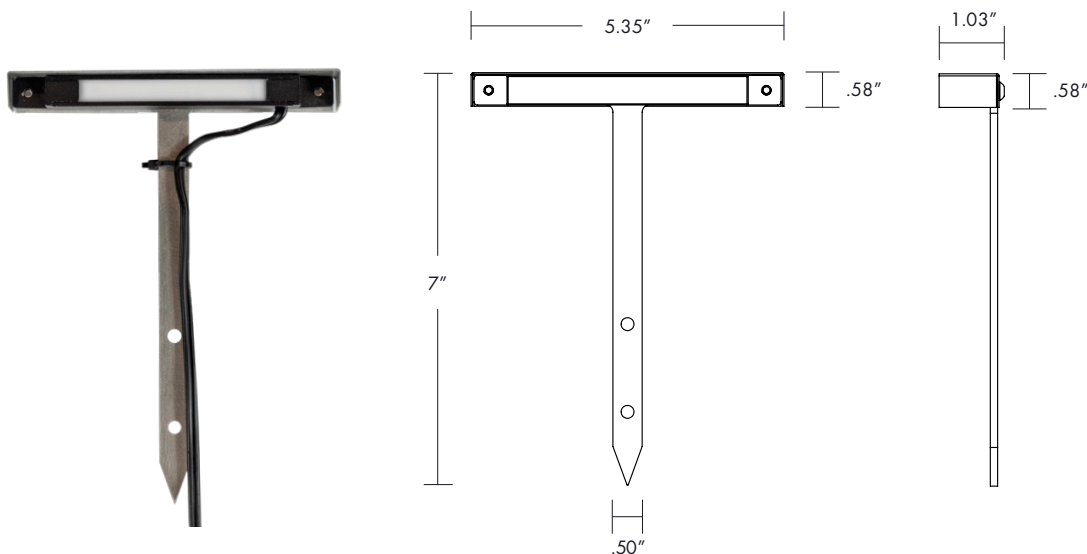


DESCRIPTION

The Tee Wall Washer Light comes complete with a one-piece stainless-steel ground stake, glare shield and integrated LED. For ease of installation, the power cable comes zip tied to the ground stake. Dimmable with Brilliance Dimmer and most magnetic transformers. Light source UL Certified E511083.

TEE WALL WASHER

Use	Up Lighting/Back Lighting & Grazing Low Profile Pathway Lighting
Finish	Brass, Copper, or Brass w/ Black Cerakote®
Includes	LightingShrink Professional Crimp and Heat Shrink Cable Connector
Integrated Lamp	<p>Small Light Bar - 1.5W, 2700K, 110 Lumens, CRI 85, IP65, 8-15VAC, 1.67VA, 5 year warranty</p> <p>TEE-WALL-WASHER-2700-COPPER TEE-WALL-WASHER-2700-BRASS TEE-WALL-WASHER-2700-BRASS-BLK</p> <hr/> <p>Small Light Bar - 1.5W, 3000K, 110 Lumens, CRI 85, IP65, 8-15VAC, 1.67VA, 5 year warranty</p> <p>TEE-WALL-WASHER-3000-COPPER TEE-WALL-WASHER-3000-BRASS TEE-WALL-WASHER-3000-BRASS-BLK</p>



Brass



Copper



Brass+ Black Cerakote®

INSTALLING THE FIXTURE

1. Dig a hole in the ground approximately 1" wide by 4" deep.
2. Insert the built-in stake into the hole and aim the fixture in the preferred direction and angle.
3. For soft soil, gently push the stake into the ground.
4. Lay the power cable from the fixture into the existing cable trench and use the LightingShrink cable connector to join the fixture cable to the main cable.