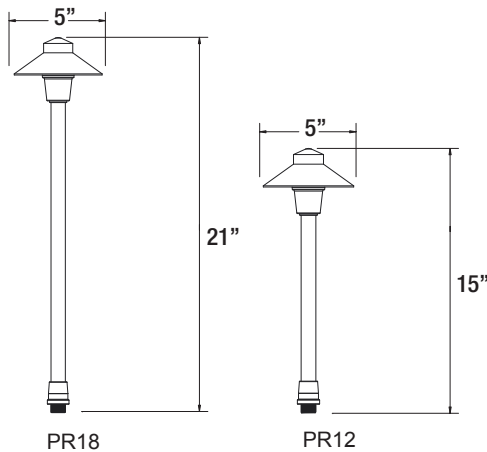
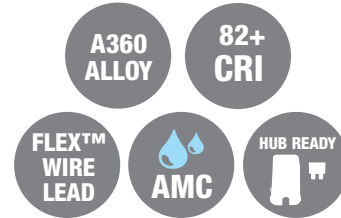


PRODUCT SPECIFICATIONS

PROJECT:	
MODEL #:	
LAMP(S):	
NOTES:	



Specifications:

- Marine grade A360 alloy construction
- High temperature silicone o-rings
- 1' FLEX™ Auxiliary wire lead
- 15' direct burial cable
- AMC - Anti-Moisture Connections
- 2W max. LED lamp / 20W max. halogen
- Available in 12" and 18" stem lengths
- Bronze finish
- E-Shield™ coating process
- Composite stake with brass threaded insert
- Limited 10 year warranty

Light Distribution Cones:

N/A



UL 2108:2004 R12.07
CSA C22.2.9.0-96 (R2006)

Unique Lighting Systems® reserves the right to modify the design and/or construction of the fixture shown without further notification.

© Unique Lighting Systems® • 5825 Jasmine Street, Riverside, CA 92504 • Customer Service - 800.955.4831 • Order Services - 800.654.1882

www.uniquelighting.com



Fixtures

Part Number

PR12-NL-BK
PR12-NL-BZ
PR12-NL-TT
PR12-L227-BK
PR12-L227-BZ
PR12-L227-TT
PR18-NL-BK
PR18-NL-BZ
PR18-NL-TT
PR18-L227-BK
PR18-L227-BZ
PR18-L227-TT

Description

PROTON 12, ALLOY, NL, BK
PROTON 12, ALLOY, NL, BZ
PROTON 12, ALLOY, NL, TT
PROTON 12, ALLOY, LED227K, BK
PROTON 12, ALLOY, LED227K, BZ
PROTON 12, ALLOY, LED227K, TT
PROTON 18, ALLOY, NL, BK
PROTON 18, ALLOY, NL, BZ
PROTON 18, ALLOY, NL, TT
PROTON 18, ALLOY, LED227K, BK
PROTON 18, ALLOY, LED227K, BZ
PROTON 18, ALLOY, LED227K, TT

Accessories

Part Number

PART-BZ

Description

Particle Dome Mounting Base

Finishes

Standard Finish

BZ - Bronze
BK- -Black
TT - Tucson Tan