

## Installation Manual

7264000G

# 8" Basin Extension for Pro-Series Systems

## Models

### X8

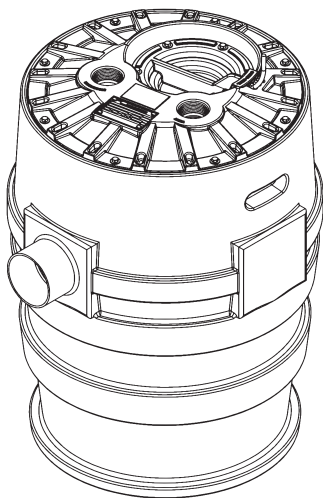
*For P370 and P380 Systems*

### X8-D

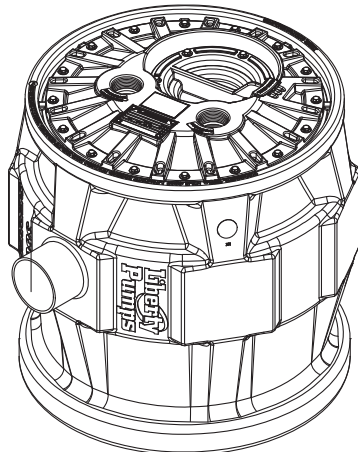
*For P680 Systems*

## Features

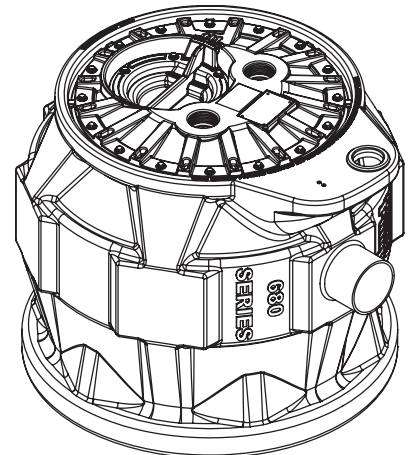
- 8" Molded Extension
- Rubber Gasket Seal
- Sixteen Stainless Steel Studs and Flange Nuts
- Discharge Pipe Extenders



**P370**



**P380**



**P680**

## X8 and X8-D Extension Installation

Before installing the X8 or X8-D basin extension, the pump and cover must be removed from an assembled PRO system.

1. Remove the small access cover which is secured by 6 fasteners.
2. Remove the QuickTree® (float rod and floats) from the basin by lifting the unit out of its holder.
3. Unscrew the fasteners securing the main cover to the tank. In order to remove the main cover, it must be separated from the PVC discharge pipe. This can be done by rotating the cover back and forth while pulling upward.

### Re-assembly:

1. The short length of pipe and the coupling must be “glued” to the current discharge pipe(s).
2. Place the pump(s) with pipe into the basin and position it within the torque stops. (The torque stops are the three round pockets located at the bottom of the basin.) Each leg of the pump should be inside one of the pockets.
3. Install the threaded stainless steel studs in tank (finger-tight) until they bottom out in the threaded inserts. Standard systems use 8 studs; XL systems require 16 for proper sealing.
4. The rubber gasket seal can now be placed over the studs and seated onto the tank’s rim.
  - 4a. For 8 bolt systems, it is highly recommended that the installer apply liberal amounts of sealant (such as silicone) on both sides of the rubber gasket seal surface to ensure proper sealing.
5. Lower the extension over the studs until it is firmly seated on the rubber gasket seal.
6. Install the stainless steel flange nuts on the studs and torque to 40 in-lbs. **IMPORTANT: Do not over tighten.**
7. Re-attach the main cover. To facilitate assembly, the PVC pipe should be wetted with soapy water and inserted into the rubber seal under the cover. The cover can be twisted back and forth while pushing down until the cover meets the extension. Re-attach the cover with the same screws that were removed. **Note:** XL-systems will have 16 screws.
8. A new, longer QuickTree rod is provided with the X8/X8-D extension. Remove the floats from the original QuickTree rod by loosening the screw on the clamp. For systems with an optional alarm, two floats need to be removed.
9. Re-attach the float(s) to the new, longer QuickTree rod referencing Figure 3 or Figure 5 (according to system). **IMPORTANT: It is critical that the tether length remains the same after re-installation. The tether length is the cord distance from the clamp to the top of the float ball.**
10. The QuickTree rod has four “flat” sections. The upper two are used in a P380/680-Series system and the lower two positions are used in a P370 system. The lowest float is the pump control float; the highest is the alarm float (if system is equipped with the alarm option).

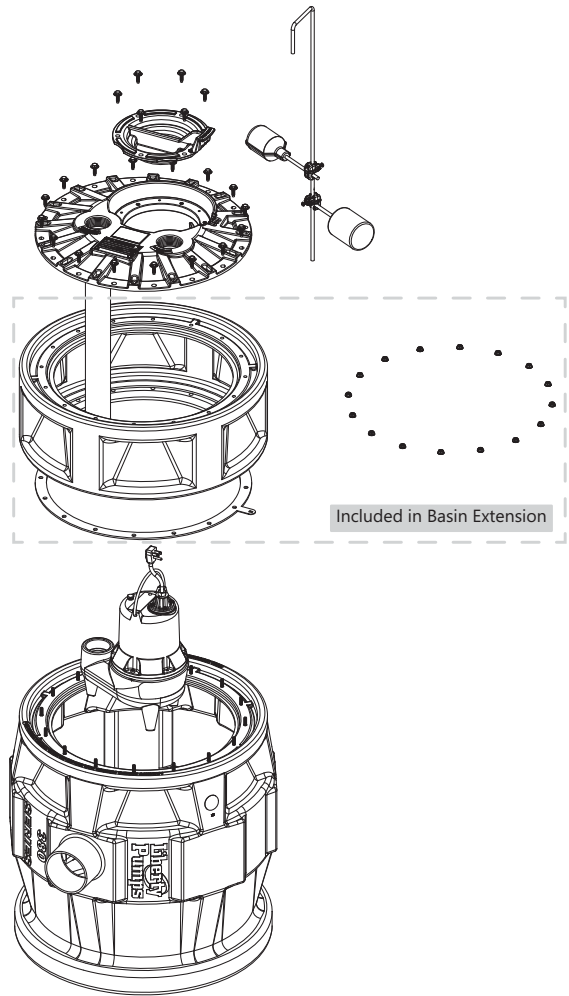


Figure 1

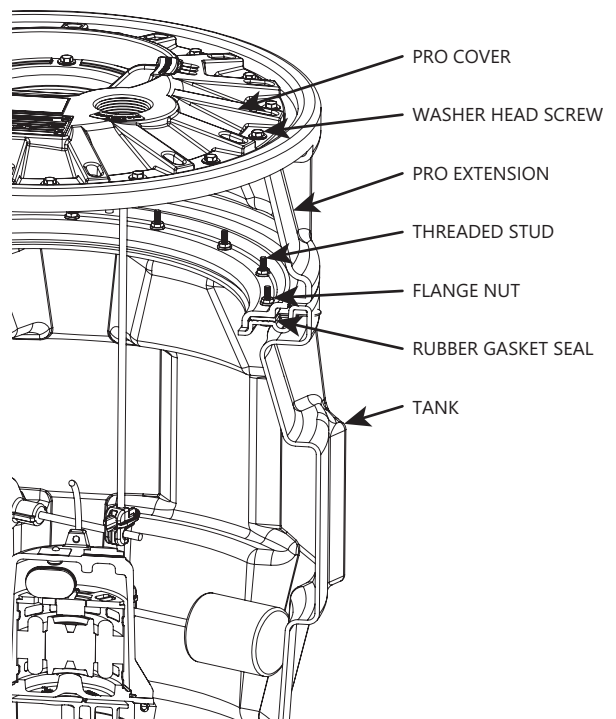


Figure 2

# Pro380 and 680 Systems

## QuickTree (Float Tree) and Pipe Instructions

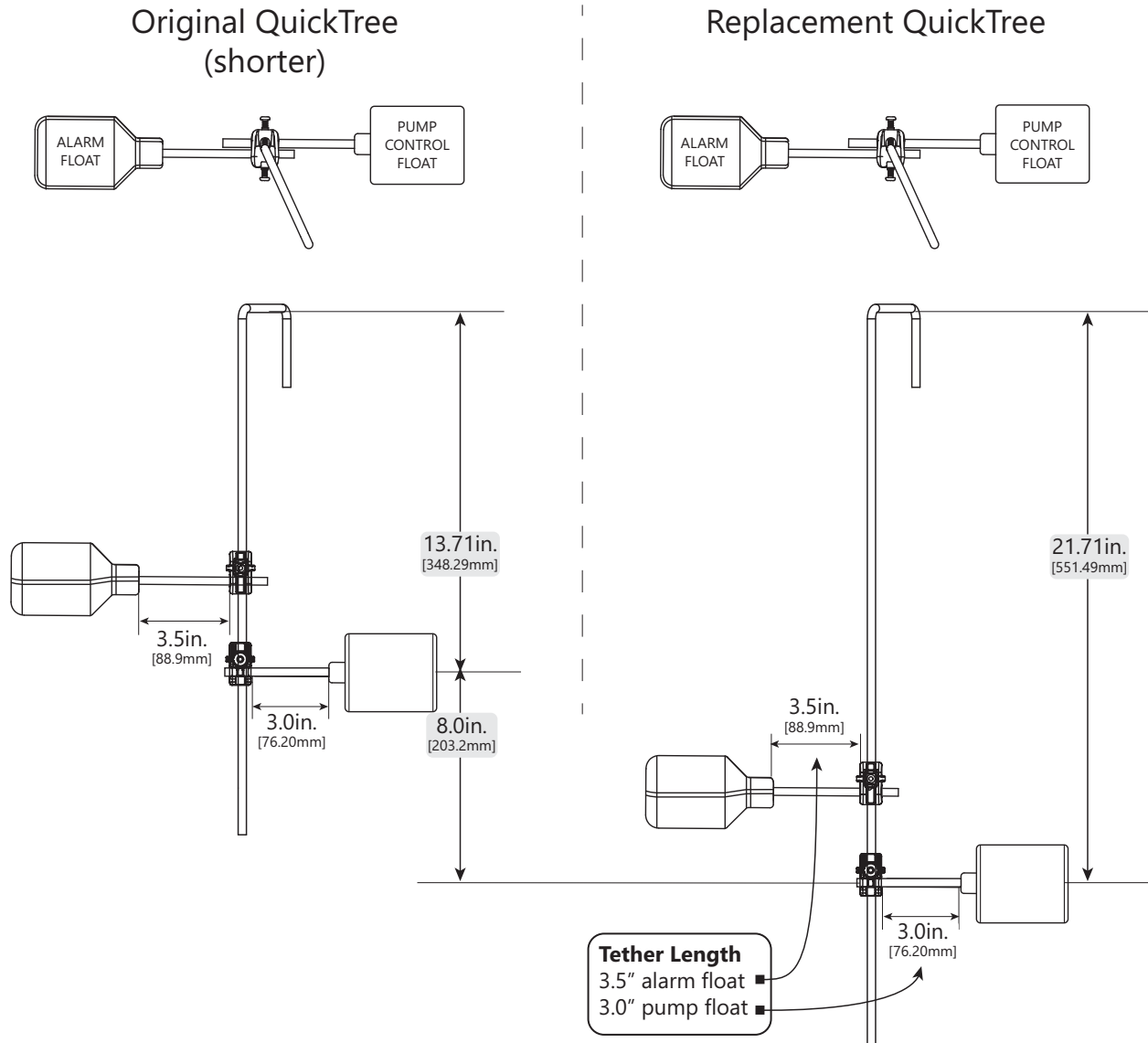


Figure 3

### New Discharge Pipe Configuration

The new length of pipe required is 25-3/8", which is 8" longer than the one in the system. The Model X8/X8-D includes a coupling and short length of pipe that must be "glued" to the existing discharge pipe; X8-D contains two extensions.

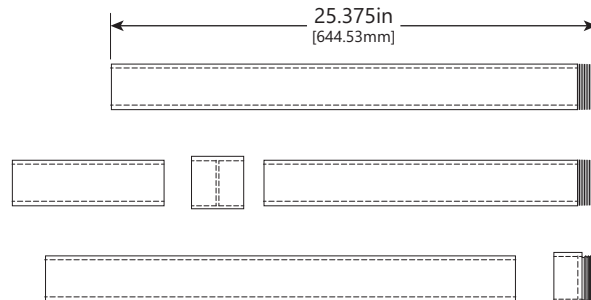


Figure 4

# Pro370 Systems

## QuickTree (Float Tree) and Pipe Instructions

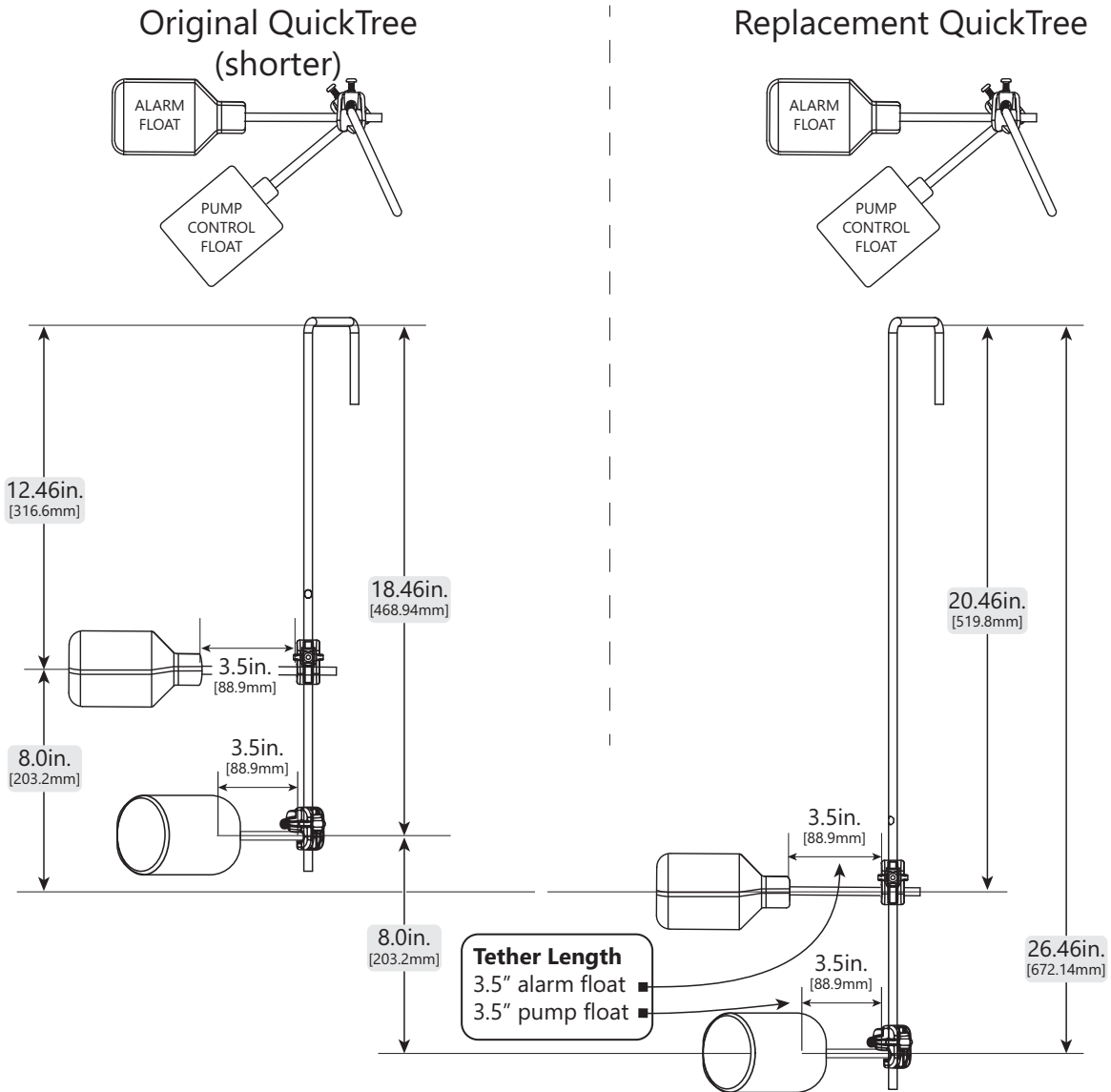


Figure 5

### New Discharge Pipe Configuration

The new length of pipe required is 31-5/8", which is 8" longer than the one in the system. The Model X8 includes a coupling and short length of pipe that must be "glued" to the existing discharge pipe.

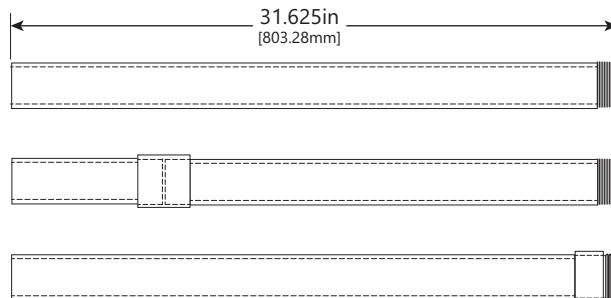


Figure 6