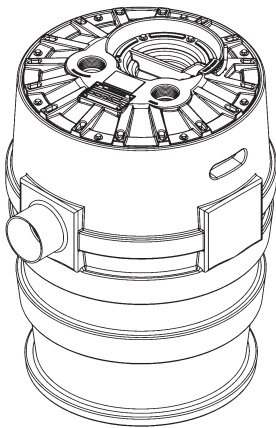


## Installation Manual

7225000H

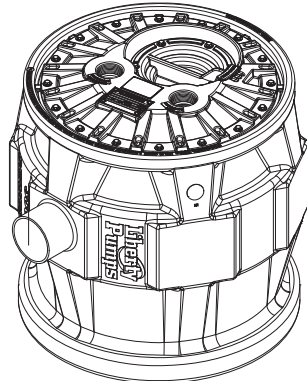
# Simplex Sewage/Grinder Systems

## Models



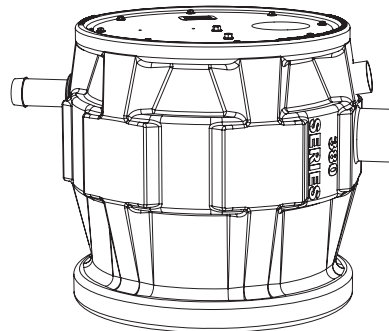
**Pro370-Series  
Sewage System**

Vertical Discharge  
21"D x 30"H  
41 Gallon System



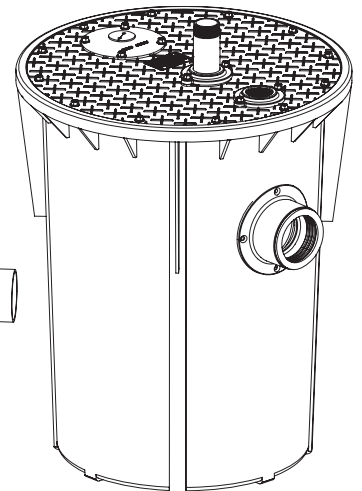
**Pro380-Series  
Sewage System  
ProVore® 380-Series  
Grinder System**

Vertical Discharge  
24"D x 24"H  
41 Gallon System



**Pro380-Series  
Sewage System  
ProVore® 380-Series  
Grinder System**

Side Discharge  
24"D x 24"H  
41 Gallon System







**700-Series  
Sewage System  
ProVore® 700-Series  
Grinder System**

Vertical Discharge  
24"D x 36"H  
70 Gallon System

# Contents

<i>Safety Precautions</i> .....	3
<i>Introduction</i> .....	4
<i>In-Ground Installation of Basins</i> .....	4
<i>Basin Dimensional Data</i> .....	5
<i>Installation and Connections</i> .....	6
<i>QuickTree and 370/380-Series Access Cover</i> .....	7
<i>700-Series Access Cover</i> .....	8
<i>Electrical Service and Operation</i> .....	8
<i>Supplemental Installation Instructions</i> .....	10
<i>Maintenance and Troubleshooting</i> .....	11
<i>Warranty</i> .....	12

## Safety Guidelines

	This safety alert symbol is used in the manual and on the pump to alert of potential risk for serious injury or death.
	This safety alert symbol identifies <b>risk of electric shock</b> . It is accompanied with an instruction intended to minimize potential risk of electric shock.
	This safety alert symbol identifies <b>risk of fire</b> . It is accompanied with an instruction intended to minimize potential risk of fire.
	This safety alert symbol identifies <b>risk of serious injury or death</b> . It is accompanied with an instruction intended to minimize potential risk of injury or death.
<b>DANGER</b>	Warns of hazards, which if not avoided, <b>will</b> result in serious injury or death.
<b>WARNING</b>	Warns of hazards, which if not avoided, <b>could</b> result in serious injury or death.
<b>CAUTION</b>	Warns of hazards, which if not avoided, could result in minor or moderate injury.
<b>NOTICE</b>	Signals an important instruction related to the pump. Failure to follow these instructions could result in pump failure or property damage.

<b>WARNING</b>	<b>Read every supplied manual before using pump system. Follow all the safety instructions in manual(s) and on the pump. Failure to do so could result in serious injury or death.</b>
<b>NOTICE</b>	<b>Installer: manual must remain with owner or system operator/maintainer.</b>
<p>Keep this manual handy for future reference.</p> <p>For replacement manual, visit <a href="http://libertypumps.com">libertypumps.com</a>, or contact Liberty Pumps at 1-800-543-2550.</p> <p>Retain dated sales receipt for warranty.</p>	<p>Record information from pump nameplate:</p> <p>Pump Model #: _____</p> <p>Pump Serial #: _____</p> <p>Manufacture Date: _____</p> <p>Install Date: _____</p>

## Safety Precautions

---

### **⚠️ WARNING** **RISK OF ELECTRIC SHOCK**

---

- Accidental contact with electrically live parts, items, fluid, or water can cause serious injury or death.
- Always disconnect pump(s) from power source(s) before handling or making any adjustments to either the pump(s), the pump system, or the control panel.
- All installation and maintenance of pumps, controls, protection devices, and general wiring shall be done by qualified personnel.
- All electrical and safety practices shall be in accordance with the National Electrical Code<sup>®</sup>, the Occupational Safety and Health Administration, or applicable local codes and ordinances.
- Do not remove cord and strain relief, and do not connect conduit to pump.
- Pump shall be properly grounded using its supplied grounding conductor. Do not bypass grounding wires or remove ground prong from attachment plugs. Failure to properly ground the pump system can cause all metal portions of the pump and its surroundings to become energized.
- Do not handle or unplug the pump with wet hands, when standing on damp surface, or in water unless wearing Personal Protective Equipment.
- Always wear dielectric rubber boots and other applicable Personal Protective Equipment (PPE) when water is on the floor and an energized pump system must be serviced, as submerged electrical connections can energize the water. Do not enter the water if the water level is higher than the PPE protection or if the PPE is not watertight.
- Do not lift or carry a pump or a float assembly by its power cord. This will damage the power cord, and could expose the electrically live wires inside the power cord.
- The electrical power supply shall be located within the length limitations of the pump power cord, and for below grade installations, it shall be at least 4 ft (1.22 m) above floor level.
- Do not use this product in applications where human contact with the pumped fluid is common (such as swimming pools, fountains, marine areas, etc.).
- Protect the power cord from the environment. Unprotected power and switch cords can allow water to wick through ends into pump or switch housings, causing surroundings to become energized.

### **⚠️ WARNING** **RISK OF FIRE**

---

- Do not use an extension cord to power the product. Extension cords can overload both the product and extension cord supply wires. Overloaded wires will get very hot and can catch on fire.
- This product requires a separate, properly fused and grounded branch circuit, sized for the voltage and amperage requirements of the pump, as noted on the nameplate. Overloaded branch circuit wires will get very hot and can catch on fire.

- Do not use this product with or near flammable or explosive fluids such as gasoline, fuel oil, kerosene, etc. If rotating elements inside pump strike any foreign object, sparks may occur. Sparks could ignite flammable liquids.
- These pumps are not to be installed in locations classified as hazardous in accordance with the National Electric Code<sup>®</sup>, ANSI/NFPA 70.
- Sewage and effluent systems produce and may contain flammable and explosive gases. Prevent introduction of foreign objects into basin as sparks could ignite these gases. Use caution using tools and do not use electronic devices or have live, exposed electrical circuits in or around basins, open covers and vents.

### **⚠️ WARNING** **RISK OF SERIOUS INJURY OR DEATH**

---

- Do not modify the pump/pump system in any way. Modifications may affect seals, change the electrical loading of the pump, or damage the pump and its components.
- All pump/pump system installations shall be in compliance with all applicable Federal, State, and Local codes and ordinances.
- Do not allow children to play with the pump system.
- Do not allow any person who is unqualified, to have contact with this pump system. Any person who is unaware of the dangers of this pump system, or has not read this manual, can easily be injured by the pump system.
- In 208–230 V installations, one side on the line going to the pump is always “hot”, whether the float switch is on or off. To avoid hazards, install a double pole disconnect near the pump installation.
- Vent basin in accordance with local code. Proper venting of sewer gases alleviates poisonous gas buildup and reduces the risk of explosion and fire from these flammable gases.
- Wear adequate Personal Protective Equipment when working on pumps or piping that have been exposed to wastewater. Sump and sewage pumps often handle materials which can transmit illness or disease upon contact with skin and other tissues.
- Do not enter a pump basin after it has been used. Sewage and effluent can emit several gases which are poisonous.
- Do not remove any tags or labels from the pump or its cord.
- Keep clear of suction and discharge openings. To prevent injury, never insert fingers into pump while it is connected to a power source.
- Do not use this product with flammable, explosive, or corrosive fluids. Do not use in a flammable and/or explosive atmosphere as serious injury or death could result.
- California Proposition 65 Warning: This product contains chemicals known to the State of California to cause cancer, birth defects, or other reproductive harm. For more information, go to [www.p65warnings.ca.gov](http://www.p65warnings.ca.gov).

### **NOTICE**

- ◆ Do not use pumps with fluid over 140°F (60°C). Operating the pump in fluid above this temperature can overheat the pump, resulting in pump failure. Maximum continuous duty fluid temperature is 104°F (40°C).

- ◆ Do not use pump system with mud, sand, cement, hydrocarbons, grease, or chemicals. Pump and system components can be damaged from these items causing product malfunction or failure. Additionally, flooding can occur if these items jam the impeller or piping.
- ◆ Do not run dry.
- ◆ The Uniform Plumbing Code® states that sewage systems shall have an audio and visual alarm that signals a malfunction of the system, to reduce the potential for property damage.
- ◆ Do not exert heavy pressure or run heavy equipment on the backfill material as this could cause the tank to collapse.
- ◆ Do not overtighten bolts.
- ◆ Do not position the pump float directly under the inlet from drain tile or in the direct path of any incoming water.

## Introduction

Before installation, read the following instructions carefully. Each pump is individually factory tested to ensure proper performance. Closely following these instructions will eliminate potential operating problems, assuring years of trouble-free service.

**ProVore® grinder systems** easily handle solids and sewage waste found in typical residential applications. Their unique cutter system grinds difficult wastes and then pumps it through a 1-1/2" or 2" discharge line. The ProVore 380-Series system is supplied with a 2" discharge outlet. Do not increase this pipe size above 2" as adequate flow rates may not be achieved for proper operation. Discharge sizes may be reduced to 1-1/2" or 1-1/4". Consult Liberty Pumps for proper pipe and system sizing.

**Pro-Series systems** come with an integral control system with alarm and QuickTree®. Pump and alarm floats are pre-set on the QuickTree system at proper operating levels. Do not adjust floats. The QuickTree system is located under a separate access cover for ease of maintenance and service. Floats for both pump activation and alarm are mounted on a stainless steel tree (rod), separate from the pump. There is no need to disconnect plumbing or remove the pump to inspect service or replace floats. QuickTree floats are preset at the factory for optimum operating levels and should not be adjusted.

**Pro-Series systems** also feature a clear disposable construction cover designed to protect the system during rough-in and masonry work. The protective cover should remain in place until finish plumbing; however, it can be removed and reinstalled if required. The cover is snapped into the threaded ports of the discharge and vent. To remove the clear cover, simply pull upward disengaging it from the discharge and vent holes.

Was current system sized by a professional? Minimum fluid flows are required in sewage applications. Consult Liberty Pumps for proper pump sizing prior to installation.

## In-Ground Installation of Basins

- A. Excavation:** Excavate the hole as small as possible, with a minimum recommended 8" diametrical clearance around the tank. Never place the basin directly in contact with rocks or other sharp objects. Place only fine, 1/8" to 3/4" pea gravel or 1/8" to 1/2" washed, crushed stone as bedding between the basin and the hole walls. Do not use sand or native soil as backfill. ***Properly compact underneath the basin to provide a solid, level base that can support the weight of the filled basin.*** It is recommended that the top lip of the basin be level with the finished floor.
- B. Initial Backfill:** Only fine, 1/8" to 3/4" pea gravel or 1/8" to 1/2" washed, crushed stone should be used around the bottom of the basin to hold it in place. Do not use sand or native soil as backfill. Make the inlet connection as required for particular basin.
- C. Inlet Connection:** **Pro-Series** basins have a 4" inlet molded to the side of the tank. This inlet is sized to accept a 4" no-hub type coupling. **700-series** basins use a hub with a 4" seal for inlet connection. Connect the gravity drainage line from the fixtures to this hub.
- D. Final Backfill:** Large rocks, clods, and foreign objects should be kept out of the backfill material. Only fine, 1/4" to 3/4" pea gravel, or 1/8" to 1/2" washed, crushed stone is recommended. Do not use sand or native soil as backfill. Mound the backfill slightly and allow for natural settling. Provide access to the basin cover for maintenance and service.

### **NOTICE**

- ◆ Do not exert heavy pressure or run heavy equipment on the backfill material as this could cause the tank to collapse.



# Basin Dimensional Data

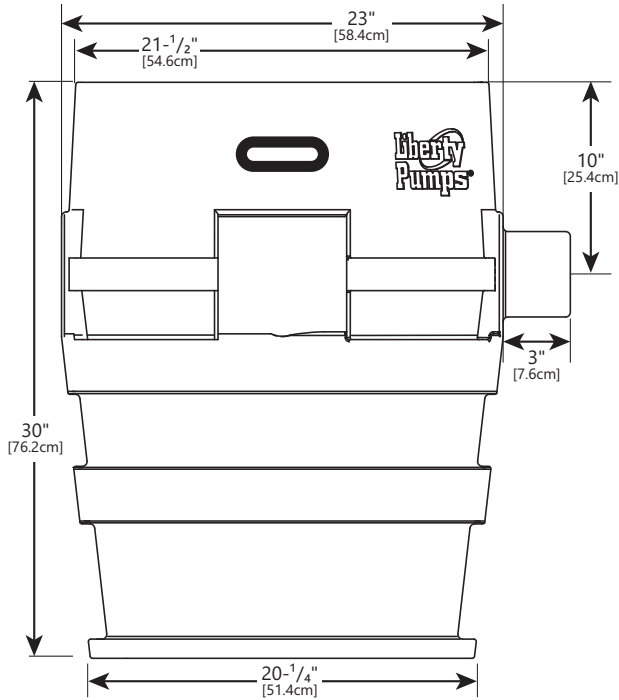


Figure 1. 370-Series Basin Dimensions

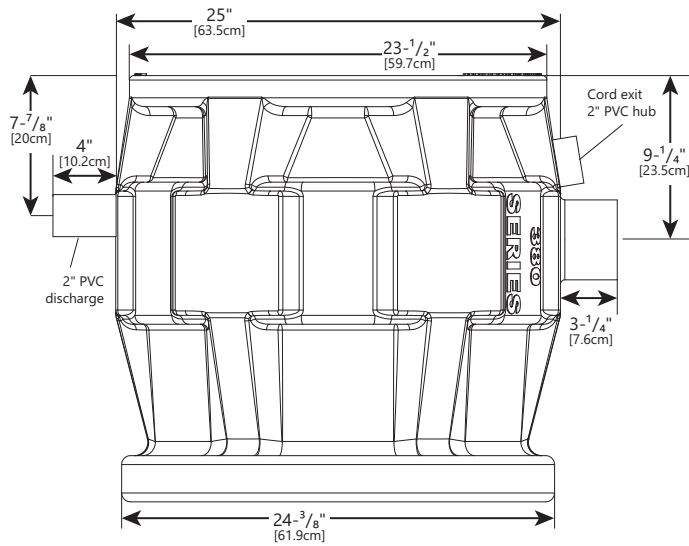


Figure 2. Side Discharge 380-Series Basin Dimensions

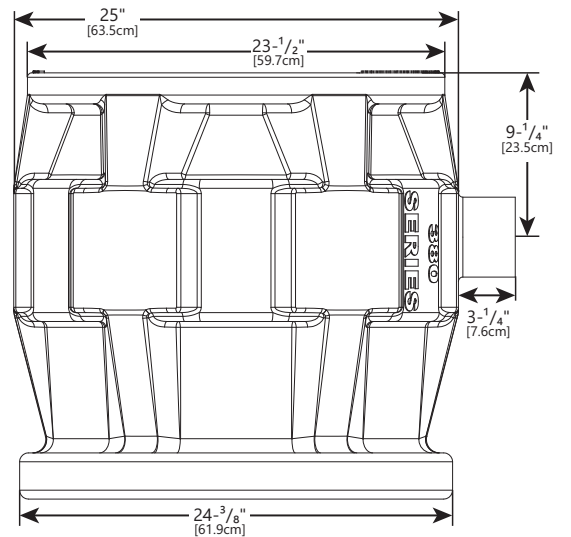


Figure 3. Vertical Discharge 380-Series Basin Dimensions

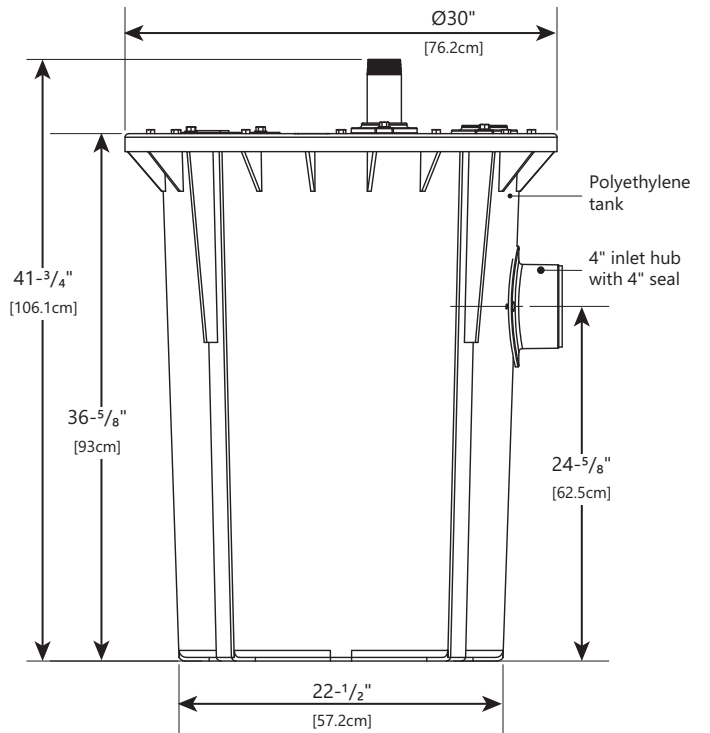


Figure 4. 700-Series Basin Dimensions

## Installation and Connections

- A. Discharge:** Using an adapter, connect the discharge pipe to the threaded 2" or 3" port provided on the cover (or the 2" PVC nipple used on side discharge models).

**IMPORTANT: Do not reduce the discharge pipe size below that which is provided on the pump.** Sewage pumps should not be smaller than 2". In some applications, it may be necessary to increase the pipe size to reduce friction losses. Contact Liberty Pumps with questions regarding proper pipe sizes and flow rates.

Install the remaining discharge line. In vertical discharge applications, a union should be installed just above the cover to facilitate pump removal if necessary (side discharge applications are equipped with an in-basin union).

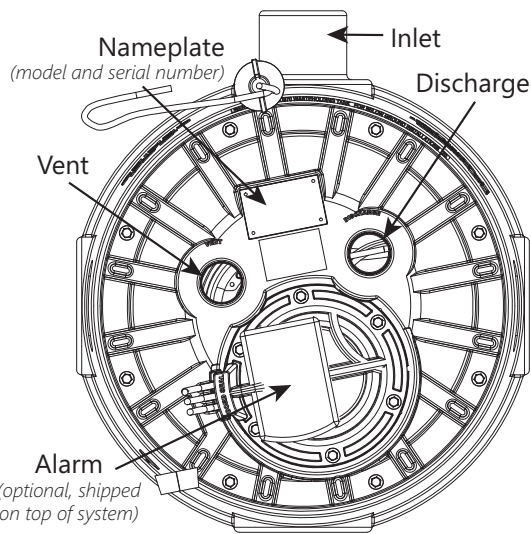


Figure 5. 370-Series Cover

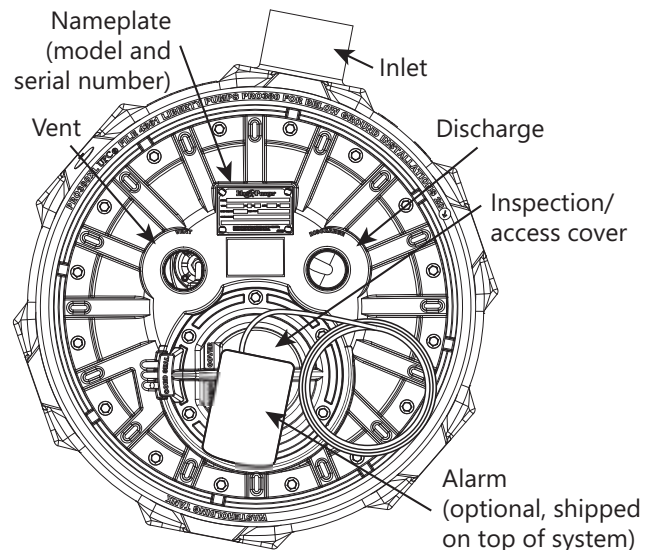


Figure 7. Vertical Discharge 380-Series Cover

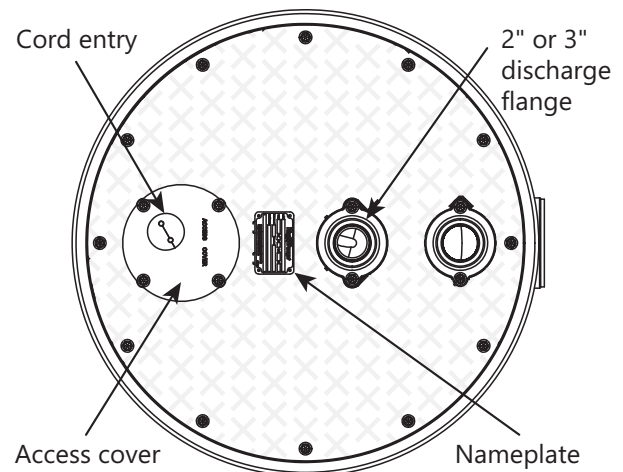


Figure 8. 700-Series Cover

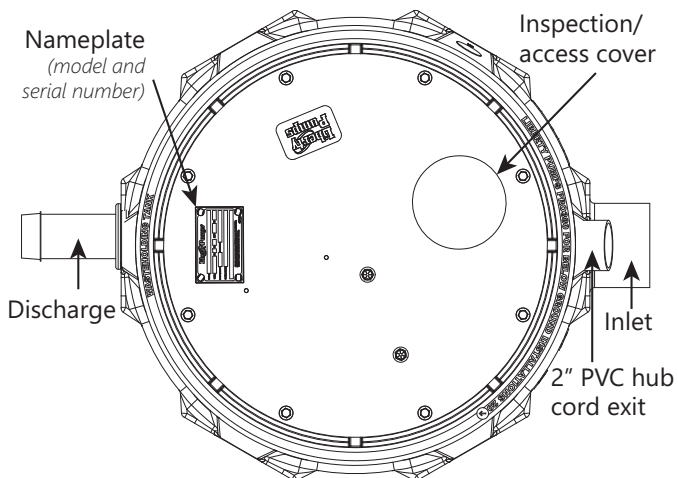


Figure 6. Side Discharge 380-Series Cover

In both vertical and side discharge models, a check valve is recommended after the union to prevent the backflow of liquid after each pumping cycle. A gate or ball valve should follow the check valve to allow periodic cleaning of the check valve or removal of the pump. The remainder of the discharge line should be as short as possible with a minimum number of turns, to minimize friction head loss. Do not restrict the discharge below 2" in sewage applications. Larger pipe sizes may be required to eliminate friction head loss over long runs. Contact Liberty Pumps or other qualified person if there are questions regarding proper pipe size and flow rates.

Figure 9 shows a typical installation. Variations may apply to actual installation.

## QuickTree and 370/380-Series Access Cover

Liberty Pumps' Pro370 systems and vertical discharge 380-Series systems feature QuickTree technology. Floats for both pump activation and alarm (if equipped) are mounted on the QuickTree, separate from the pump.

The QuickTree float system uses a stainless steel mounting rod (tree) and specially designed cord clamping brackets to affix the pump float and (optional) alarm float in the system. **All floats are preset at the factory at optimum operating levels and should not be adjusted.** Field adjusting floats may cause improper activation or turn-off of the pump and optional alarm.

**QuickTree removal and float inspection:** The QuickTree system is located under the separate access cover to help ease inspection, service, and replacement of a float. To inspect the float(s), simply unbolt the access cover and lift out the QuickTree assembly from its holder. There is no need to disconnect plumbing or remove the pump. Vertical discharge systems feature a manual pump (with no switch attached directly to the pump). Operation of the pump is accomplished by the QuickTree system. Side discharge 380-Series systems are equipped with an automatic pump.

**Re-inserting the QuickTree:** After service or inspection of the floats, re-insert the QuickTree into its holder. Cords from the pump, float switch, and optional alarm need to be properly sealed as described in the Integrated Cord Seal System section.

**Integrated Cord Seal System:** It is important that cords from the pump motor, float switch, and optional alarm float are sealed in the specially designed rubber sealing channels under the access cover. Proper sealing is required to keep sewer gas from leaking from the system. Place the cords securely in the rubber channels as shown in Figure 11 [left], being careful to remove excessive cord "slack" from inside the system.

**IMPORTANT:** Three cord channels are provided. For systems without the alarm option, only two channels are used and the third must be "plugged" with an attached rubber plug seal. See Figure 11 [right]. If the alarm cord is present, all three channels will be used. All rubber cover gaskets are permanently attached and do not require replacement.

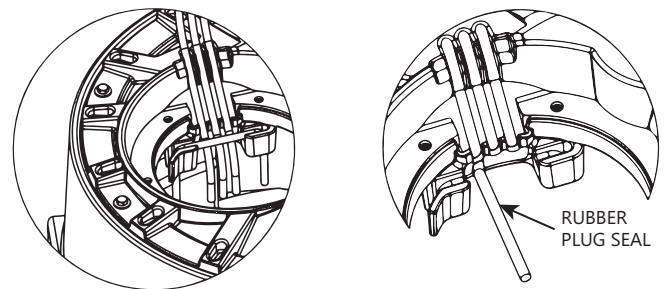


Figure 11. Proper Cord Sealing Behind QuickTree Rod

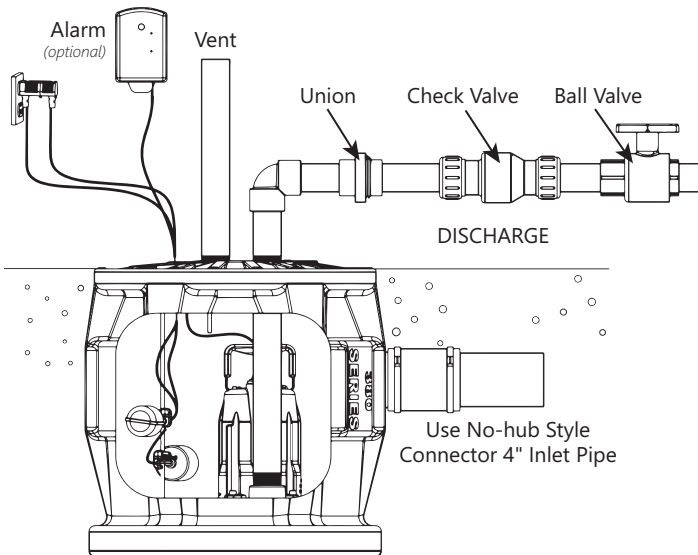


Figure 9. Typical Installation (Pro380-Series shown)

- B. Vent:** On vertical discharge Pro370 and 380-Series models, a threaded 2" or 3" connection is provided on top of the cover. The vent must be piped to the existing building vent, or extended outside on its own standpipe. On both side and vertical discharge systems, the vent size should be in accordance with applicable codes, but not less than the discharge size. See Figure 10 an example of venting through the inlet pipe as an alternative solution.

On 380-Series side discharge models, venting is accomplished through the inlet.

**Note:** Pro-Series systems shipped with steel pipe option have a rubber grommet seal on the discharge instead of female NPT connections.

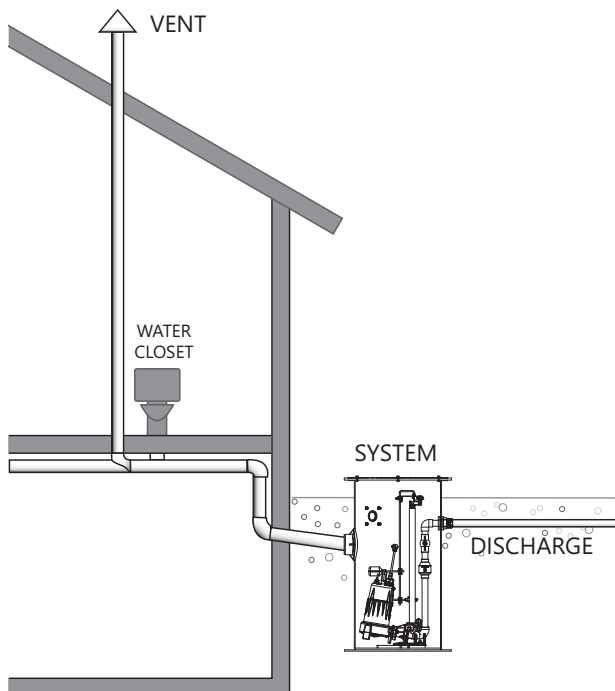


Figure 10. Example Venting-Alternative Method

## QuickTree Settings for Vertical Discharge Pro370 and Pro380-Series Systems

Table 1. Tether Length (Switch Position to Clamp)

Rod Position	Pro370-Series		Pro380-Series	
	Alarm Float	Control Float	Alarm Float	Control Float
1			3.5"	
2	3.5"			
3				3.0"
4		3.5"		

When servicing the QuickTree, place the switch cord into the trough or channel and then slip the stainless steel rod through the clamp. Tighten the screw with a Phillips screwdriver, being careful not to overtighten. Flats have been stamped on the rod to designate float position, and the screw should be tightened onto the flat. The tether length is the amount of cord between the clamp and float.

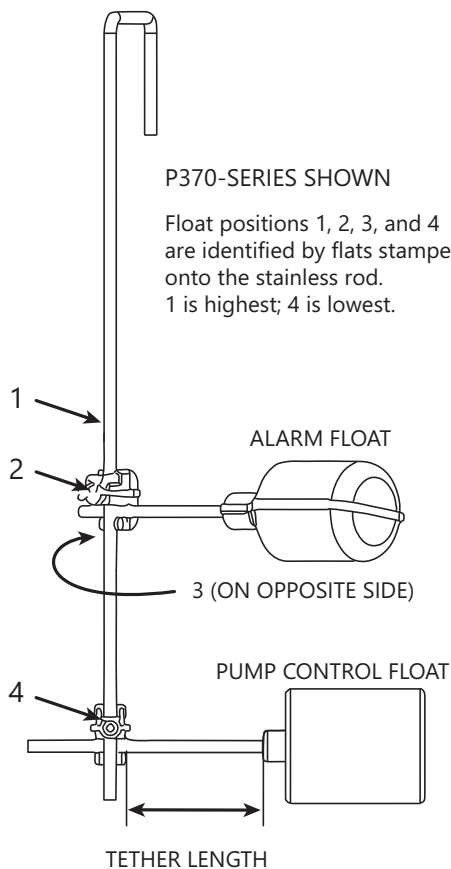


Figure 12. QuickTree Example Settings

## 700-Series Access Cover

The 700-Series cover contains access to the float and alarm cord entry/exit seals. Refer to Figure 8 for these locations.

## Electrical Service and Operation

### **⚠️ WARNING** ⚡ **RISK OF ELECTRIC SHOCK**

- Always disconnect pump(s) from power source(s) before handling or making any adjustments to either the pump(s), the pump system, or the control panel.
- All installation and maintenance of pumps, controls, protection devices, and general wiring shall be done by qualified personnel.
- Do not remove cord and strain relief, and do not connect conduit to pump.
- Pump shall be properly grounded using its supplied grounding conductor. Do not bypass grounding wires or remove ground prong from attachment plugs. Failure to properly ground the pump system can cause all metal portions of the pump and its surroundings to become energized.
- Do not handle or unplug the pump with wet hands, when standing on damp surface, or in water unless wearing Personal Protective Equipment.
- Do not lift or carry a pump or a float assembly by its power cord. This will damage the power cord, and could expose the electrically live wires inside the power cord.
- The electrical power supply shall be located within the length limitations of the pump power cord, and for below grade installations, it shall be at least 4 ft (1.22 m) above floor level.
- Protect the power cord from the environment. Unprotected power and switch cords can allow water to wick through ends into pump or switch housings, causing surroundings to become energized.

### **⚠️ WARNING** ⚡ **RISK OF FIRE**

- Do not use an extension cord to power the product. Extension cords can overload both the product and extension cord supply wires. Overloaded wires will get very hot and can catch on fire.
- This product requires a separate, properly fused and grounded branch circuit, sized for the voltage and amperage requirements of the pump, as noted on the nameplate. Overloaded branch circuit wires will get very hot and can catch on fire.
- Do not use this product with or near flammable or explosive fluids such as gasoline, fuel oil, kerosene, etc. If rotating elements inside pump strike any foreign object, sparks may occur. Sparks could ignite flammable liquids.
- Sewage and effluent systems produce and may contain flammable and explosive gases. Prevent introduction of foreign objects into basin as sparks could ignite these gases. Use caution using tools and do not use electronic devices or have live, exposed electrical circuits in or around basins, open covers and vents.
- These pumps are not to be installed in locations classified as hazardous in accordance with the National Electric Code<sup>®</sup>, ANSI/NFPA 70.

**⚠️ WARNING** ⚡ **RISK OF SERIOUS INJURY OR DEATH**

- Do not modify the pump/pump system in any way. Modifications may affect seals, change the electrical loading of the pump, or damage the pump and its components.
- All pump/pump system installations shall be in compliance with all applicable Federal, State, and Local codes and ordinances.
- Vent basin in accordance with local code. Proper venting of sewer gases alleviates poisonous gas buildup and reduces the risk of explosion and fire from these flammable gases.
- Wear adequate Personal Protective Equipment when working on pumps or piping that have been exposed to wastewater. Sump and sewage pumps often handle materials which can transmit illness or disease upon contact with skin and other tissues.
- Do not remove any tags or labels from the pump or its cord.
- Keep clear of suction and discharge openings. To prevent injury, never insert fingers into pump while it is connected to a power source.

**All Pro370 and vertical discharge 380-Series models** come factory-equipped with the float switch mounted on the QuickTree assembly. These models come with two cords—one to the float switch and the other to the pump motor. The switch cord has a series (piggyback) plug enabling the pump (motor) cord to be plugged into the back of it (Figure 13). The purpose of this design is to allow manual operation of the pump.

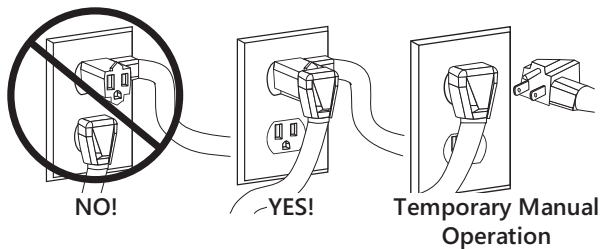


Figure 13. Piggyback Plug Installation

**For automatic operation**, the two cords should be interconnected and plugged into a separately fused, grounded outlet of proper amp capacity for the selected pump model. Both cords are equipped with 3-prong plugs and must be plugged into a properly grounded 3-wire receptacle. **DO NOT REMOVE THE GROUND PRONGS.**

**For manual operation**, or in the event of switch failure, the pump cord can be separated and plugged into the electrical outlet directly, bypassing the switch. 208–230V single phase pumps should only be operated without the float switch by using the circuit breaker or panel disconnect. Do not let the pump run dry.

If the pump is to be wired directly into a control device or junction box, and it is necessary to remove the plugs, have a certified electrician do the wiring in accordance with the National Electric Code and applicable local codes. See Figure 14 for typical direct wire installation of single phase, automatic pumps.

**⚠️ WARNING** ⚡ **RISK OF SERIOUS INJURY OR DEATH**

- In 208–230 V installations, one side on the line going to the pump is always “hot”, whether the float switch is on or off. To avoid hazards, install a double pole disconnect near the pump installation.

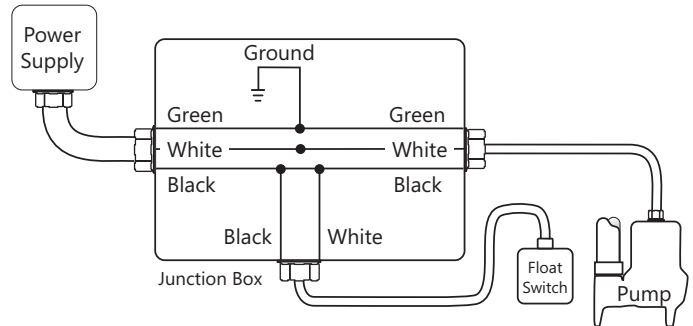


Figure 14. Direct Wiring of 115V or 208–230V, 1PH, Auto Pumps



## Supplemental Installation Instructions

### PRO370XL/PRO380XL-Series 10' Stack Test Basins

XL-Series sewage ejector basins are designed to withstand the 10' stack test required by some municipalities. Proper installation of the specified cover flange is essential to ensure that the test is met. Strict adherence to these instructions is required. Under no circumstances should the cover be installed in a manner inconsistent with these instructions.

#### Types of Systems

XL-Series Basins are available as fully assembled systems complete with pump and discharge piping, as basin and cover assembly kits with no pump or plumbing, and as basins only. Follow the instructions below, as required, to correspond to the specific type of system.

#### Basin Installation

1. For all systems, refer to the primary instructions as supplied with this ejector system or basin for excavating the pit, plumbing connections, and backfilling.
2. If the top of the basin is below grade, an access riser (model ARC18) is required. The maximum burial depth is 18" with respect to the top of the basin. Consult Liberty Pumps at 1-800-543-2550 or a local distributor for more information on ARC Series Access Risers.

#### Installing the Pump in the XL-Series Basin or XL Basin and Cover Assembly Kit

1. Liberty Pumps XL-Series Basins, purchased separately, will require the appropriate 16-bolt Pro-Series cover assembly to make an effectively sealed ejector system. Contact Liberty Pumps customer service for the proper cover for the application.
2. Size the length of the discharge piping to reach from the discharge of the pump to be within the discharge pipe socket with integral lip seal on the underside of the Pro-Series cover. Liberty Pumps sewage pumps will use threaded-one-end (TOE) nipples of 23.75" length for Pro370XL-Series Basins, or 17.50" long for 380XL-Series Basins. Install the pipe into the threaded discharge of the pump.
3. Lower the pump into the basin, fitting the pump legs into the torque stops.
4. Insert power cord for the pump—and the piggyback switch cord, if so equipped—through the underside of the inspection cover hole and position cover over pipe nipple while aligning the bolt holes. Use sixteen 1/4-20 UNC bolts and washers to secure cover to the basin. Tighten bolts to 40 inch-pounds. **Do not overtighten bolts.** The soft, integral gasket will conform to the top of the tank. The bolts may be re-torqued up to 60 inch-pounds to seal any leaks that may occur during a 10' stack test. Additionally, a small amount of RTV silicone sealant may be used should the gasket or inserts be damaged.

5. Liberty Pumps recommends the use of manual type pumps and the appropriate Liberty Pumps QuickTree Switch Kit for mounting of pump control and alarm floats. Contact customer service for ordering information. Install the QuickTree Kit per the instructions included. Liberty Pumps automatic type pumps with piggyback float switches may also be used. Lay the power cable and switch cable in the grooves in the inspection cover recess as shown in the primary instructions as included with this system. Attach the inspection cover to the main cover using supplied bolts and washers. Tighten the bolts furthest away from the power cord grooves first, torquing to 40 inch-pounds. **Do not overtighten bolts.** The soft, integral gasket will conform to the top of the cover and power cords. The bolts may be re-torqued up to 60 inch-pounds to seal any leaks that may occur during a 10' stack test. Additionally, a small amount of RTV silicone sealant may be used should the gasket or inserts be damaged.



Pro370XL and Pro380XL Series Basins IAPMO listed, # 4361



## Maintenance and Troubleshooting

### **⚠️ WARNING** **RISK OF ELECTRIC SHOCK**

- Always disconnect pump(s) from power source(s) before handling or making any adjustments to either the pump(s), the pump system, or the control panel.

Table 2. Troubleshooting Matrix

Problem	Possible Cause	Corrective Action
Pump will not run.	Blown fuse or other interruption of power; improper voltage.	Check that the unit is securely plugged in. Have an electrician check all wiring for proper connections and adequate voltage and capacity.
	Switch is unable to move to the "turn on" position due to interference with the side of basin or other obstruction.	Position the pump or switch so that it has adequate clearance for free operation.
	Insufficient liquid level.	Verify the liquid level is allowed to rise enough to activate switch(es).
	Defective switch.	Remove and replace switch.
Pump will not turn off.	Switch(es) unable to move to the "turn off" position due to interference with the side of basin or other obstacle.	Position the pump or switch so that it has adequate clearance for free operation.
	Defective switch.	Remove and replace switch.
Pump runs or hums, but does not pump.	Discharge is blocked or restricted.	Check the discharge line for foreign material, including ice if the discharge line passes through or into cold areas.
	Check valve is stuck closed or installed backwards.	Remove check valve(s) and examine for freedom of operation and proper installation.
	Gate or ball valve is closed.	Open gate or ball valve.
	Total lift is beyond pump's capability.	Try to route piping to a lower level. If not possible, a larger pump may be required. Consult Liberty Pumps.
	Pump impeller is jammed or volute casing is plugged.	*Remove the pump from the basin. Detach the pump base and clean the area around the impeller. Reassemble and reinstall.
Pump runs periodically when fixtures are not in use.	Check valve was not installed, is stuck open, or is leaking.	Remove check valve(s) and examine for freedom of operation and proper installation.
	Fixtures are leaking.	Repair fixtures as required to eliminate leakage.
Pump operates noisily.	Foreign objects in the impeller cavity.	*Remove the pump from the basin. Detach the pump base and clean the area around the impeller. Reassemble and reinstall.
	Broken impeller.	Consult Liberty Pumps for information regarding replacement of impeller.
	Worn bearings.	Return pump to Liberty Pumps or authorized repair station for repair.
	Piping attachments to building are too rigid.	Replace a portion of the discharge line with rubber hose or connector.

**\*NOTE:** Liberty Pumps, Inc. assumes no responsibility for damage or injury due to disassembly in the field. Disassembly, other than at Liberty Pumps or its authorized service centers, automatically voids warranty.

## **Warranty**

---

### ***Liberty Pumps Wholesale Products Limited Warranty***

Liberty Pumps, Inc. warrants that Liberty Pumps wholesale products are free from all factory defects in material and workmanship for a period of three (3) years from the date of purchase (excluding batteries). The date of purchase shall be determined by a dated sales receipt noting the model and serial number of the pump. The dated sales receipt must accompany the returned pump if the date of return is more than three years from the date of manufacture noted on the pump nameplate.

The manufacturer's sole obligation under this Warranty shall be limited to the repair or replacement of any parts found by the manufacturer to be defective, provided the part or assembly is returned freight prepaid to the manufacturer or its authorized service center, and provided that none of the following warranty-voiding characteristics are evident:

The manufacturer shall not be liable under this Warranty if the product has not been properly installed, operated, or maintained per manufacturer instructions; if it has been disassembled, modified, abused, or tampered with; if the electrical cord has been cut, damaged, or spliced; if the pump discharge has been reduced in size; if the pump has been used in water temperatures above the advertised rating; if the pump has been used in water containing sand, lime, cement, gravel, or other abrasives; if the product has been used to pump chemicals, grease, or hydrocarbons; if a non-submersible motor has been subjected to moisture; or if the label bearing the model and serial number has been removed.

Liberty Pumps, Inc. shall not be liable for any loss, damage, or expenses resulting from installation or use of its products, or for indirect, incidental, and consequential damages, including costs of removal, reinstallation or transportation.

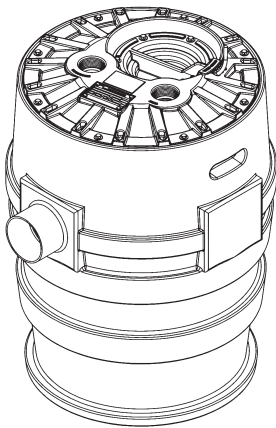
**There is no other express warranty. All implied warranties, including those of merchantability and fitness for a particular purpose, are limited to three years from the date of purchase. This Warranty contains the exclusive remedy of the purchaser, and, where permitted, liability for consequential or incidental damages under any and all warranties are excluded.**



7000 Apple Tree Avenue  
Bergen, NY 14416  
ph: 800-543-2550  
fax: 585-494-1839  
[www.libertypumps.com](http://www.libertypumps.com)

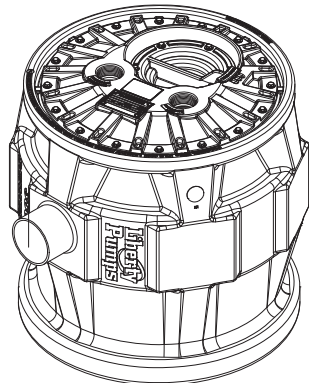
# Sistemas trituradores/de alcantarillado simplex

## Modelos



**Sistema de  
alcantarillado serie  
Pro370**

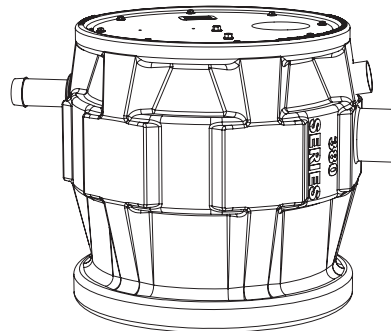
Descarga vertical  
53.34 cm de diámetro x  
76.2 cm de altura  
(21 x 30 pulg.)  
Sistema de 41 galones



**Sistema de  
alcantarillado serie  
Pro380**

**Sistema triturador  
ProVore® serie 380**

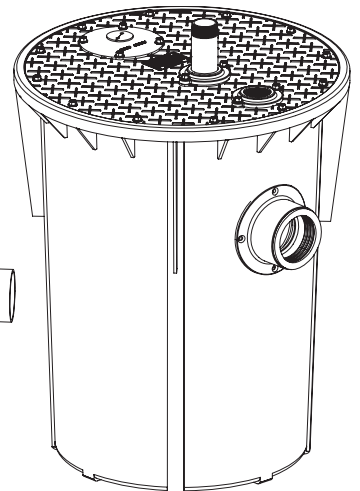
Descarga vertical  
60.96 cm de diámetro x  
60.96 cm de altura  
(24 x 24 pulg.)  
Sistema de 41 galones



**Sistema de  
alcantarillado serie  
Pro380**

**Sistema triturador  
ProVore® serie 380**

Descarga lateral  
53.34 cm de diámetro x  
60.96 cm de altura  
(24 x 24 pulg.)  
Sistema de 41 galones



**Sistema de  
alcantarillado serie  
700**





**Sistema triturador  
ProVore® serie 700**

Descarga vertical  
60.96 cm de diámetro x  
91.44 cm de altura  
(24 x 36 pulg.)  
Sistema de 70 galones

# Contenido

<i>Medidas de seguridad</i> .....	3
<i>Introducción</i> .....	4
<i>Instalación en el suelo de las cubetas</i> .....	4
<i>Datos dimensionales de la cubeta</i> .....	5
<i>Instalación y conexiones</i> .....	6
<i>Cubierta de acceso QuickTree series 370/380</i> .....	7
<i>Cubierta de acceso serie 700</i> .....	8
<i>Servicio eléctrico y operación</i> .....	8
<i>Instrucciones de instalación suplementarias</i> .....	10
<i>Mantenimiento y solución de problemas</i> .....	11
<i>Garantía</i> .....	12

## Reglas de seguridad

	Este símbolo de alerta de seguridad se usa en el manual y en la bomba para alertar sobre el riesgo potencial de lesiones graves o la muerte.
	Este símbolo de alerta de seguridad identifica el <b>riesgo de descarga eléctrica</b> . Se acompaña con una instrucción destinada a minimizar el riesgo potencial de descarga eléctrica.
	Este símbolo de alerta de seguridad identifica el <b>riesgo de incendio</b> . Se acompaña con una instrucción destinada a minimizar el riesgo potencial de incendio.
	Este símbolo de alerta de seguridad identifica el <b>riesgo de lesiones graves o la muerte</b> . Se acompaña con una instrucción destinada a minimizar el riesgo potencial de lesión o muerte.
<b>PELIGRO</b>	Advierte sobre peligros que, si no se evitan, <b>provocarán</b> lesiones graves o la muerte.
<b>ADVERTENCIA</b>	Advierte sobre los peligros que, si no se evitan, <b>pueden provocar</b> lesiones graves o la muerte.
<b>ATENCIÓN</b>	Advierte sobre peligros que, si no se evitan, pueden ocasionar lesiones leves o moderadas.
<b>AVISO</b>	Señala una instrucción importante relacionada con la bomba. El incumplimiento de estas instrucciones puede ocasionar fallas en la bomba o daños a la propiedad.

<b>ADVERTENCIA</b>	<b>Lea todos los manuales suministrados antes de usar el sistema de bomba. Siga todas las instrucciones de seguridad de los manuales y de la bomba. De lo contrario, podrían producirse lesiones graves o la muerte.</b>
<b>AVISO</b>	<b>Instalador: el manual debe permanecer con el propietario o el operador/encargado del sistema.</b>
Mantenga este manual a mano para futuras referencias. Para obtener un manual de reemplazo, visite <a href="http://libertypumps.com">libertypumps.com</a> , o comuníquese con Liberty Pumps al 1-800-543-2550. Conserve el recibo de venta fechado para la garantía.	<p>Registre la información de la placa de identificación de la bomba:</p> <p>N.º de modelo de la bomba: _____</p> <p>N.º de serie de la bomba: _____</p> <p>Fecha de fabricación: _____</p> <p>Fecha de instalación: _____</p>

## Medidas de seguridad

### **ADVERTENCIA** **RIESGO DE SHOCK ELÉCTRICO**

- El contacto accidental con partes, elementos, fluido o agua bajo tensión puede causar lesiones graves o la muerte.
- Desconecte siempre las bombas de las fuentes de alimentación antes de manipular o realizar cualquier ajuste en las bombas, el sistema de bomba o el panel de control.
- Toda la instalación y el mantenimiento de bombas, controles, dispositivos de protección y cableado general deben ser realizados por personal calificado.
- Todas las prácticas eléctricas y de seguridad deben realizarse según el National Electrical Code<sup>®</sup>, la Administración de Seguridad y Salud Ocupacional, o los códigos y las ordenanzas locales aplicables.
- No quite el cable y el alivio de tensión, y no conecte el conducto a la bomba.
- La bomba debe estar correctamente conectada a tierra utilizando el conductor de conexión a tierra suministrado. No puentee los cables de conexión a tierra ni quite la conexión a tierra de los enchufes. Si el sistema de la bomba no se conecta a tierra correctamente, se pueden energizar todas las partes metálicas de la bomba y sus alrededores.
- No manipule ni desenchufe la bomba con las manos mojadas, mientras esté de pie sobre una superficie húmeda o en agua, a menos que use el equipo de protección personal.
- Siempre use botas de goma dieléctrica y otros equipos de protección personal (EPP) aplicables cuando haya agua en el piso y se deba revisar un sistema de bomba energizado, ya que las conexiones eléctricas sumergidas pueden energizar el agua. No ingrese en el agua si el nivel es más alto que la protección del EPP o si el equipo no es hermético.
- No levante ni transporte una bomba o un conjunto de flotador por el lado del cable de alimentación. Esto dañará el cable de alimentación y podría exponer los hilos bajo tensión dentro del cable.
- El suministro de energía eléctrica se debe ubicar dentro de las limitaciones de longitud del cable de alimentación de la bomba, y para las instalaciones por debajo del nivel del suelo, debe ser de al menos 4 pies (1.22 m) por encima del nivel del suelo.
- No utilice este producto en aplicaciones donde el contacto humano con el fluido bombeado sea común (como piscinas, fuentes, áreas marinas, etc.).
- Proteja el cable de alimentación del medio ambiente. Los cables de alimentación y de interruptor desprotegidos pueden permitir que el agua se filtre a través de los extremos en la bomba o en la carcasa del interruptor y, de esta forma, energizar el entorno.

### **ADVERTENCIA** **RIESGO DE FUEGO**

- No use un cable de extensión para alimentar el producto. Los cables de extensión pueden sobrecargar tanto el producto como los hilos de suministro del cable de extensión. Los hilos sobrecargados se pueden calentar mucho y prenderse fuego.

- Este producto requiere un circuito derivado separado, con fusibles adecuados y conectado a tierra, dimensionado para los requisitos de voltaje y amperaje de la bomba, como se indica en la placa de identificación. Los cables de circuitos derivados sobrecargados se pueden calentar mucho y prenderse fuego.
- No utilice este producto con líquidos inflamables o explosivos como gasolina, aceite combustible, queroseno, etc., como así tampoco en sus cercanías. Si los elementos giratorios dentro de la bomba golpean cualquier objeto extraño, pueden producirse chispas. Las chispas podrían encender líquidos inflamables.
- Estas bombas no deben instalarse en ubicaciones clasificadas como peligrosas de acuerdo con el National Electric Code<sup>®</sup>, ANSI/NFPA 70.
- Los sistemas de alcantarillado y efluentes producen y pueden contener gases inflamables y explosivos. Evite la introducción de objetos extraños en la cubeta ya que las chispas podrían encender estos gases. Tenga cuidado al usar herramientas y no use dispositivos electrónicos o tenga circuitos eléctricos vivos y expuestos en o alrededor de cuencas, cubiertas abiertas y respiraderos.

### **ADVERTENCIA** **RIESGO DE MUERTE**

- No modifique el sistema de bomba/la bomba de ninguna manera. Las modificaciones pueden afectar los sellos, cambiar la carga eléctrica de la bomba, o dañar la bomba y sus componentes.
- Todas las instalaciones del sistema de bomba/la bomba deberán cumplir con todos los códigos y las ordenanzas federales, estatales y locales aplicables.
- No permita que los niños jueguen con el sistema de bomba.
- No permita que ninguna persona no calificada tenga contacto con este sistema de bomba. Cualquier persona que no tenga conocimiento de los peligros de este sistema de bomba o que no haya leído este manual, puede resultar fácilmente lesionada.
- En las instalaciones de 208-230 V, un lado de la línea que va a la bomba siempre está "caliente", independientemente de si el interruptor de flotador está encendido o apagado. Para evitar riesgos, instale una desconexión de doble polo cerca de la instalación de la bomba.
- Cuenca de ventilación de acuerdo con el código local. La ventilación adecuada de los gases de alcantarilla alivia la acumulación de gas venenoso y reduce el riesgo de explosión y fuego de estos gases inflamables.
- Use equipo de protección personal adecuado cuando trabaje en bombas o tuberías que hayan estado expuestas a aguas residuales. Las bombas de sumidero y de aguas residuales a menudo manipulan materiales que pueden transmitir enfermedades al contacto con la piel y otros tejidos.
- No ingrese en un tanque de bombeo después de que se ha utilizado. Las aguas residuales y los efluentes pueden emitir varios gases venenosos.
- No quite etiquetas de la bomba ni del cable.
- Manténgase alejado de las aberturas de succión y descarga. Para evitar lesiones, nunca inserte los dedos en la bomba mientras está conectada a una fuente de alimentación.

- No use este producto con fluidos inflamables, explosivos o corrosivos. No lo use en una atmósfera inflamable o explosiva, ya que podría ocasionar lesiones graves o la muerte.
- Advertencia de la Propuesta 65 de California: Este producto contiene productos químicos que el estado de California sabe que causan cáncer, defectos de nacimiento u otros daños reproductivos. Para obtener más información, vaya a [www.p65warnings.ca.gov](http://www.p65warnings.ca.gov).

#### **AVISO**

- ◆ No utilice estas bombas con líquido a más de 140°F (60°C). Si lo hiciera, puede sobrecalentar la bomba y provocar una falla. La temperatura máxima del líquido en funcionamiento continuo es de 104°F (40°C).
- ◆ No utilice el sistema de bomba con lodo, arena, cemento, hidrocarburos, grasa o productos químicos. Los componentes de la bomba y del sistema podrían dañarse, y provocar un mal funcionamiento o una falla del producto. Además, puede producirse una inundación si estos materiales atascan el impulsor o la tubería.
- ◆ No utilice el sistema en seco.
- ◆ El Código uniforme de plomería (Uniform Plumbing Code®) establece que los sistemas de desagüe deben tener una alarma auditiva y visual que indique un mal funcionamiento del sistema para reducir el riesgo de daños materiales.
- ◆ No ejerza una presión excesiva ni trabaje con equipos pesados sobre el material de relleno, ya que podría colapsar el tanque.
- ◆ No apriete demasiado los pernos.
- ◆ No coloque el flotador de la bomba directamente debajo del punto de admisión del tubo de desagüe o en el recorrido directo del agua entrante.

## **Introducción**

Antes de la instalación, lea atentamente las siguientes instrucciones. Cada bomba se prueba individualmente en fábrica para garantizar un rendimiento adecuado. Si se respetan estas instrucciones, se evitarán posibles problemas operativos y se asegurará años de funcionamiento sin problemas.

**Los sistemas trituradores ProVore®** se encargan fácilmente de sólidos y desechos de aguas residuales que se encuentran en aplicaciones residenciales típicas. Su exclusivo sistema de corte tritura desechos difíciles y luego los bombea a través de una línea de descarga de 1-1/2" o 2". El sistema ProVore serie 380 se suministra con una salida de descarga de 2". No aumente este tamaño de tubería por encima de 2" ya que es posible que no se logren tasas de flujo adecuadas para una operación adecuada.

Los tamaños de descarga pueden reducirse a 1-1/2" o 1-1/4". Consulte a Liberty Pumps para conocer el tamaño correcto de la tubería y del sistema.

**Los sistemas Pro-Series** incluyen un sistema de control integral con alarma y QuickTree®. Los flotadores de la bomba y de la alarma están preconfigurados en el sistema QuickTree a niveles de funcionamiento adecuados. No ajuste los flotadores. El sistema QuickTree está ubicado debajo de una cubierta de acceso independiente para facilitar el mantenimiento y el servicio. Los flotadores para la activación de la bomba y la alarma están

montados en un árbol de acero inoxidable (varilla), separados de la bomba. No es necesario desconectar la tubería ni retirar la bomba para inspeccionar el servicio o reemplazar los flotadores. Los flotadores QuickTree vienen preconfigurados de fábrica para obtener niveles operativos óptimos y no deben ajustarse.

**Los sistemas Pro-Series** también cuentan con una cubierta de construcción desechable y transparente diseñada para proteger el sistema durante el trabajo preliminar y de albañilería. La cubierta protectora debe permanecer en su lugar hasta terminar la plomería; sin embargo, se puede quitar y reinstalar si es necesario. La cubierta se encaja en los puertos roscados de la descarga y la ventilación. Para quitar la cubierta transparente, simplemente tire hacia arriba desenganchándola de los orificios de descarga y ventilación.

¿El sistema actual fue medido por un profesional? Se requieren flujos mínimos de fluido en aplicaciones de alcantarillado. Consulte a Liberty Pumps para conocer el tamaño correcto de la bomba antes de la instalación.

## **Instalación en el suelo de las cubetas**

- Excavación:** excave el orificio lo más pequeño posible, con una separación mínima recomendada de 8" de diámetro alrededor del tanque. Nunca coloque la cubeta en contacto directo con rocas u otros objetos punzantes. Coloque solo gravilla fina de 1/8" a 3/4" o piedra triturada lavada de 1/8" a 1/2" como lecho entre la cubeta y las paredes del orificio. No utilice arena o tierra del lugar como relleno. Realice una adecuada compactación debajo de la cubeta para proporcionar una base sólida y nivelada que pueda soportar el peso de la cubeta llena. Se recomienda que el borde superior de la cubeta esté nivelado con el piso terminado.
- Relleno inicial:** Solo gravilla fina de 1/8" a 3/4" o de 1/8" a 1/2" lavada, se debe usar piedra triturada alrededor de la parte inferior de la cubeta para mantenerla en su lugar. No utilice arena o tierra del lugar como relleno. Haga la conexión de entrada según se requiera para esa cubeta en particular.
- Conexión de entrada:** las cubetas Pro-Series tienen una entrada de 4" moldeada al costado del tanque. Esta entrada está dimensionada para aceptar un acoplamiento de tipo sin cubo de 4". Las cubetas serie 700 utilizan un cubo con un sello de 4" para la conexión de entrada.  
Conecte el tubo de desagüe por gravedad desde los accesorios a este cubo.
- Relleno final:** rocas grandes, terrones y objetos extraños deben mantenerse fuera del material de relleno. Se recomienda solo gravilla fina de 1/4" a 3/4" o piedra triturada lavada de 1/8" a 1/2". No utilice arena o tierra del lugar como relleno. Monte el relleno ligeramente y permite la sedimentación natural. Proporcione acceso a la cubierta de la cubeta para mantenimiento y servicio.

#### **AVISO**

- ◆ No ejerza una presión excesiva ni trabaje con equipos pesados sobre el material de relleno, ya que podría colapsar el tanque.



## Datos dimensionales de la cubeta

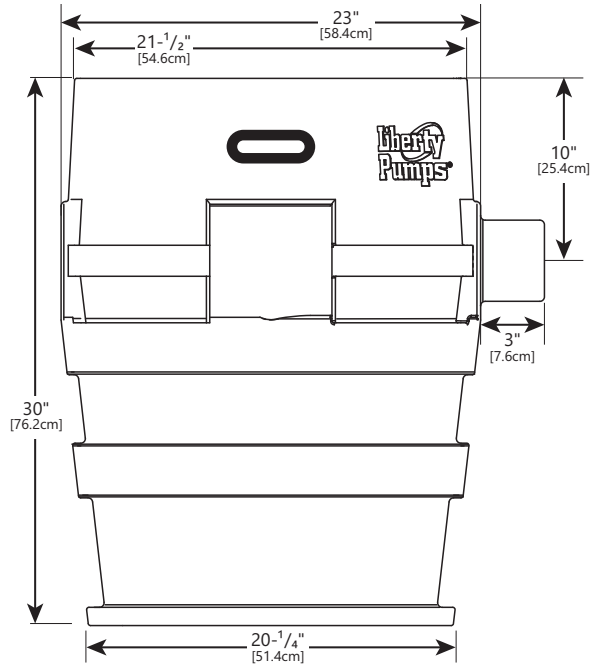


Figura 1. Dimensiones de la cubeta serie 370

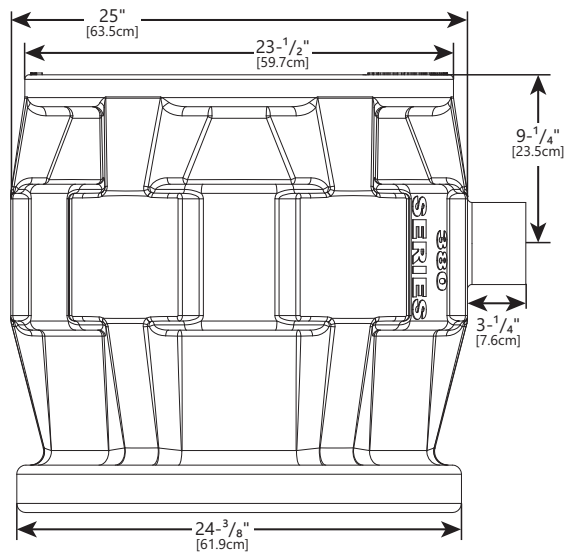


Figura 3. Dimensiones de la cubeta serie 380 de descarga vertical

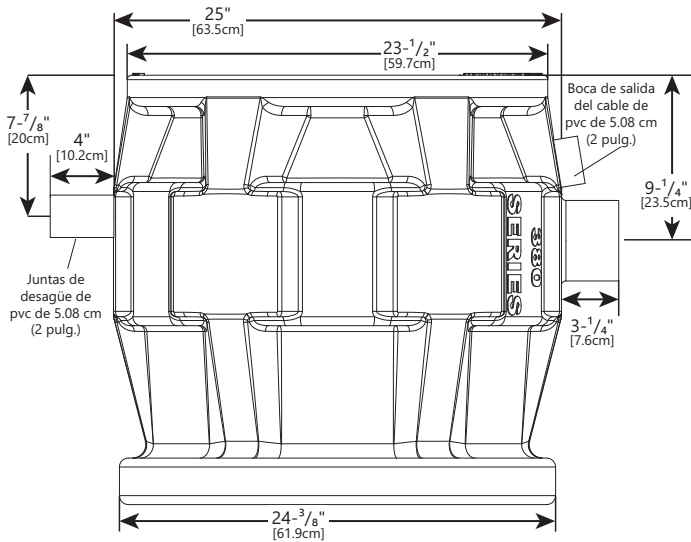


Figura 2. Dimensiones de la cubeta serie 380 de descarga lateral

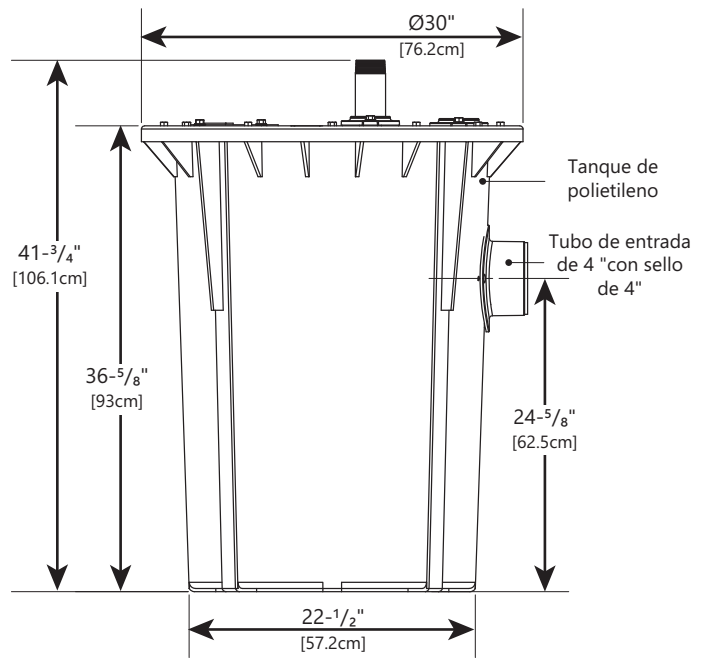


Figura 4. Dimensiones de la cubeta serie 700

## Instalación y conexiones

- A. **Descarga:** con un adaptador, conecte la tubería de descarga al puerto roscado de 2" o 3" provisto en la cubierta (o la boquilla de PVC de 2" usada en los modelos de descarga lateral).

**No reduzca el tamaño de la tubería de descarga por debajo de la que se proporciona en la bomba.** Las bombas de aguas residuales no deben ser más pequeñas de 2". En algunas aplicaciones, puede ser necesario aumentar el tamaño de la tubería para reducir las pérdidas por fricción. Póngase en contacto con Liberty Pumps si tiene preguntas sobre los tamaños y caudales de tubería adecuados.

Instale la tubería de desagüe restante. En aplicaciones de descarga vertical, se debe instalar una unión justo arriba de la cubierta para facilitar la extracción de la bomba si es necesario (las aplicaciones de descarga lateral están equipadas con una unión en la cubeta).

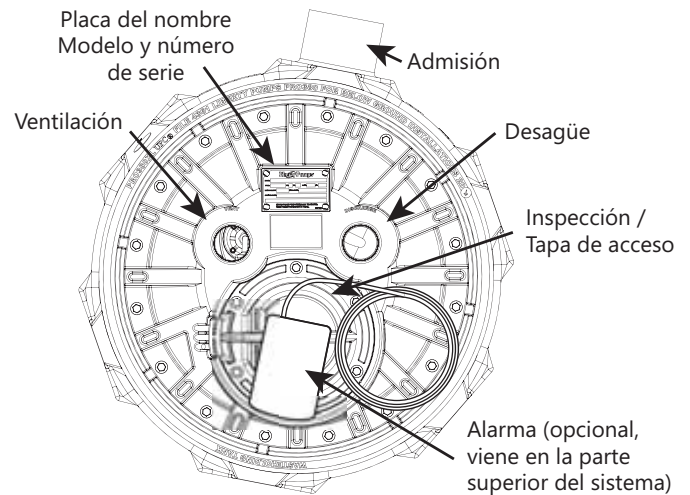


Figura 7. Cubierta de descarga vertical serie 380

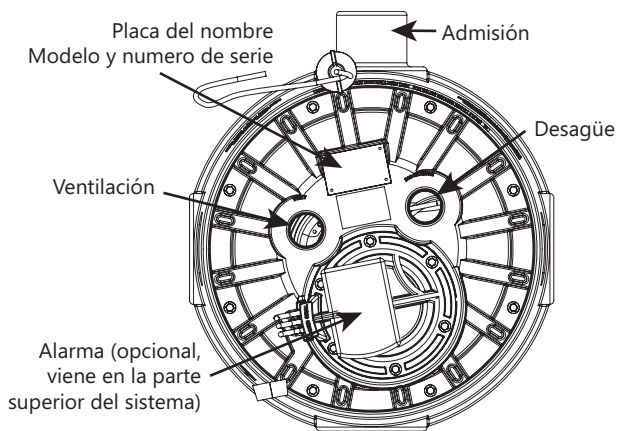


Figura 5. Cubierta serie 370

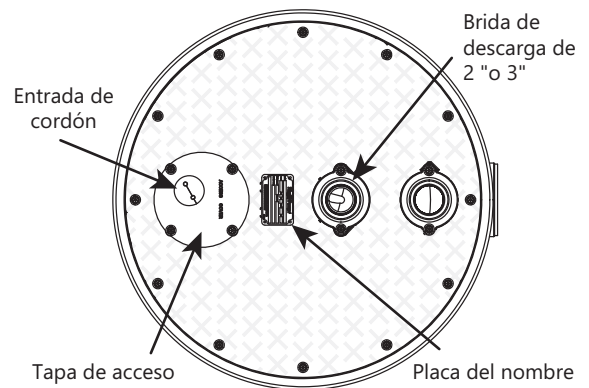


Figura 8. Cubierta serie 700

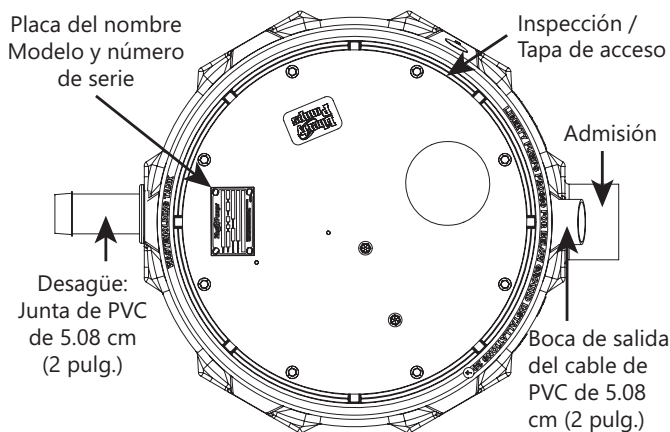


Figura 6. Cubierta de descarga lateral serie 380

En los modelos de descarga vertical y lateral, se recomienda una válvula de retención después de la unión para evitar el refluo del líquido después de cada ciclo de bombeo. Una válvula de compuerta o de bola debe seguir la válvula de retención para permitir la limpieza periódica de la válvula de retención o la extracción de la bomba. El resto del tubo de desagüe debe ser lo más corto posible con un número mínimo de vueltas, para reducir la pérdida del cabezal de fricción. No restrinja la descarga por debajo de 2" en aplicaciones de alcantarillado. Se pueden requerir tamaños de tubería más grandes para eliminar la pérdida de la cabeza de fricción en recorridos largos. Póngase en contacto con Liberty Pumps u otra persona calificada si tiene alguna pregunta sobre el tamaño adecuado de la tubería y el caudal. La Figura 9 muestra una instalación típica. Puede variar respecto de la instalación real.

## Cubierta de acceso QuickTree series 370/380

Los sistemas Pro370 de Liberty Pumps y los sistemas verticales serie 380 ofrecen la tecnología QuickTree. Los flotadores para la activación y alarma de la bomba (si está equipado) están montados en el QuickTree, separados de la bomba.

El sistema de flotación QuickTree utiliza una varilla de montaje de acero inoxidable (árbol) y abrazaderas de sujeción de cable especialmente diseñadas para fijar el flotador de la bomba y el flotador de alarma (opcional) en el sistema. **Todos los flotadores están preajustados en fábrica a niveles operativos óptimos y no deben ajustarse.** Los flotadores de ajuste en el campo pueden provocar una activación o apagado incorrecto de la bomba y una alarma opcional.

Inspección de flotación y extracción QuickTree: el sistema QuickTree se encuentra debajo de la cubierta de acceso separada para ayudar a facilitar la inspección, el servicio y el reemplazo de un flotador. Para inspeccionar el(los) flotador(es), simplemente destrabe la cubierta de acceso y levante el ensamblaje QuickTree de su soporte. No hay necesidad de desconectar la tubería o quitar la bomba. Los sistemas verticales de descarga cuentan con una bomba manual (sin interruptor conectado directamente a la bomba). La operación de la bomba se realiza mediante el sistema QuickTree. Los sistemas serie 380 de descarga lateral están equipados con una bomba automática.

**Reinserción del QuickTree:** después del servicio o la inspección de los flotadores, vuelva a insertar el QuickTree en su soporte. Los cordones de la bomba, el interruptor de flotador y la alarma opcional deben sellarse correctamente como se describe en la sección del sistema de sello de cable integrado.

**Sistema de sello de cable integrado:** Es importante que los cables del motor de la bomba, el interruptor de flotador y el flotador de alarma opcional estén sellados en los canales de sellado de caucho especialmente diseñados debajo de la cubierta de acceso. Se requiere un sellado apropiado para evitar que el gas del alcantarillado se filtre del sistema. Coloque los cables de forma segura en los canales de goma como se muestra en la Figura 11 [izquierda], teniendo cuidado de eliminar la "holgura" excesiva del cable desde el interior del sistema.

**IMPORTANTE:** se proporcionan tres canales de cable. Para los sistemas sin la opción de alarma, solo se utilizan dos canales y el tercero debe estar "enchufado" con un sello de tapón de goma conectado. Consulte la Figura 11 [derecha]. Si el cable de alarma está presente, se usarán los tres canales. Todas las juntas de cubierta de goma están fijadas permanentemente y no requieren reemplazo.

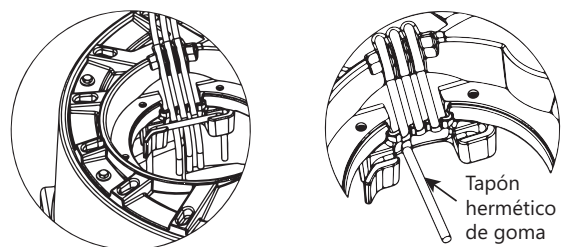


Figura 11. Sello de cable adecuado detrás de la varilla QuickTree

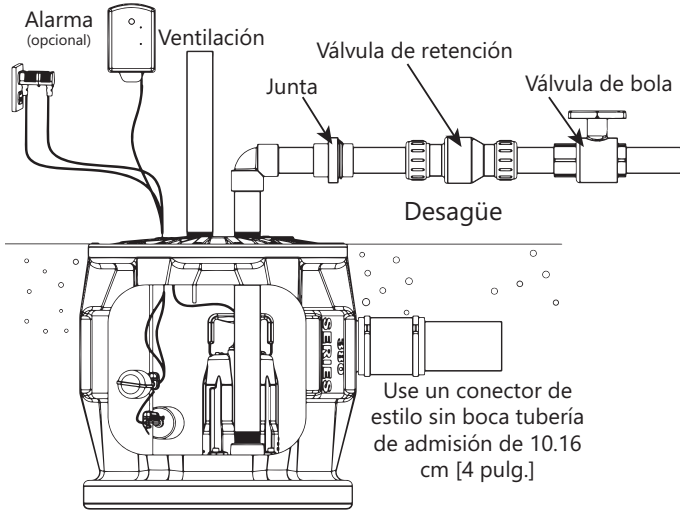


Figura 9. Instalación típica (se muestra serie Pro380)

- B. **Ventilación:** en los modelos de descarga vertical de las series Pro370 y 380, se proporciona una conexión roscada de 2" o 3" en la parte superior de la cubierta. La ventilación se debe canalizar a la ventilación existente del edificio, o extenderse afuera en su propio tubo vertical. En los sistemas de descarga vertical y lateral, el tamaño de ventilación debe ser de acuerdo con los códigos aplicables, pero no menor que el tamaño de descarga. Vea la Figura 10 un ejemplo de ventilación a través de la tubería de entrada como una solución alternativa.

En los modelos de descarga lateral serie 380, la ventilación se realiza a través de la entrada.

**Nota:** Los sistemas Pro-Series enviados con opción de tubería de acero tienen un sello de goma en la descarga en lugar de conexiones NPT hembra.

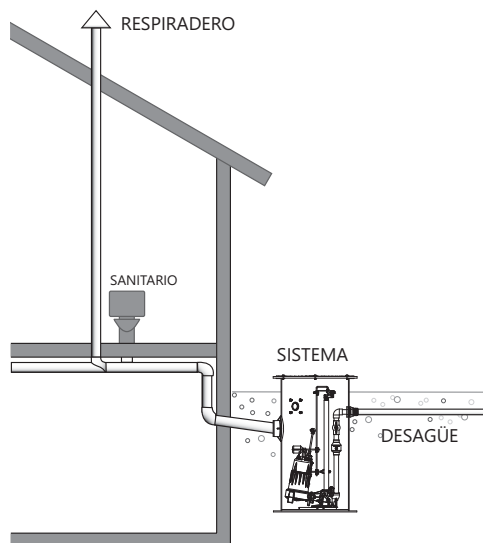


Figura 10. Ejemplo de método de ventilación alternativo

## Configuración de QuickTree para sistemas de descarga vertical serie Pro370 y Pro380

Tabla 1. Longitud de la correa  
(posición del interruptor a la abrazadera)

Posición de la barra	series Pro370		serie Pro380	
	Flotador de alarma	Flotador de control	Flotador de alarma	Flotador de control
1			3.5"	
2	3.5"			
3				3.0"
4		3.5"		

Al realizar el mantenimiento del QuickTree, coloque el cable del interruptor en el canal y luego deslice la varilla de acero inoxidable a través de la abrazadera. Ajuste el tornillo con un destornillador Phillips, teniendo cuidado de no apretar demasiado. Los planos se han estampado en la varilla para designar la posición de flotación, y el tornillo debe apretarse en el plano. La longitud de la correa es la cantidad de cordón entre la abrazadera y el flotador.

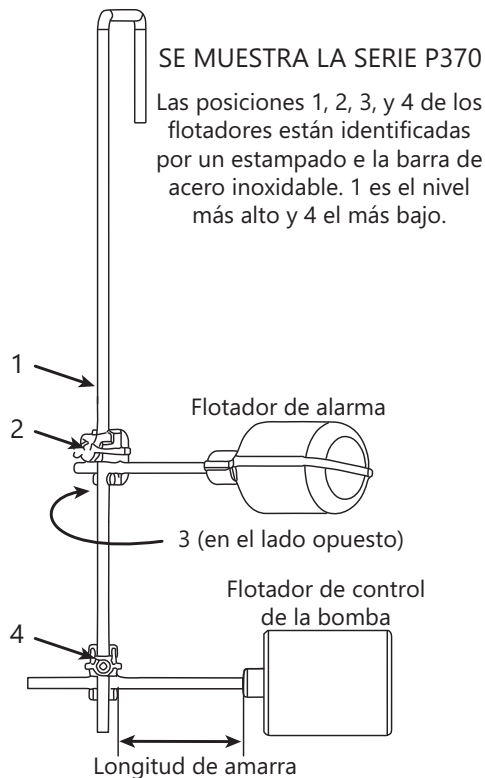


Figura 12. Configuración de ejemplo de QuickTree

## Cubierta de acceso serie 700

La cubierta serie 700 contiene acceso a los sellos de entrada/salida del cable de alarma y flotación. Consulte la Figura 8 para estas ubicaciones.

## Servicio eléctrico y operación

### ⚠️ ADVERTENCIA ⚡ RIESGO DE SHOCK ELÉCTRICO

- Desconecte siempre las bombas de las fuentes de alimentación antes de manipular o realizar cualquier ajuste en las bombas, el sistema de bomba o el panel de control.
- Toda la instalación y el mantenimiento de bombas, controles, dispositivos de protección y cableado general deben ser realizados por personal calificado.
- No quite el cable y el alivio de tensión, y no conecte el conducto a la bomba.
- La bomba debe estar correctamente conectada a tierra utilizando el conductor de conexión a tierra suministrado. No puentee los cables de conexión a tierra ni quite la conexión a tierra de los enchufes. Si el sistema de la bomba no se conecta a tierra correctamente, se pueden energizar todas las partes metálicas de la bomba y sus alrededores.
- No manipule ni desenchufe la bomba con las manos mojadas, mientras esté de pie sobre una superficie húmeda o en agua, a menos que use el equipo de protección personal.
- No levante ni transporte una bomba o un conjunto de flotador por el lado del cable de alimentación. Esto dañará el cable de alimentación y podría exponer los hilos bajo tensión dentro del cable.
- El suministro de energía eléctrica se debe ubicar dentro de las limitaciones de longitud del cable de alimentación de la bomba, y para las instalaciones por debajo del nivel del suelo, debe ser de al menos 4 pies (1.22 m) por encima del nivel del suelo.
- Proteja el cable de alimentación del medio ambiente. Los cables de alimentación y de interruptor desprotegidos pueden permitir que el agua se filtre a través de los extremos en la bomba o en la carcasa del interruptor y, de esta forma, energizar el entorno.

### ⚠️ ADVERTENCIA ⚡ RIESGO DE FUEGO

- No use un cable de extensión para alimentar el producto. Los cables de extensión pueden sobrecargar tanto el producto como los hilos de suministro del cable de extensión. Los hilos sobrecargados se pueden calentar mucho y prenderse fuego.
- Este producto requiere un circuito derivado separado, con fusibles adecuados y conectado a tierra, dimensionado para los requisitos de voltaje y amperaje de la bomba, como se indica en la placa de identificación. Los cables de circuitos derivados sobrecargados se pueden calentar mucho y prenderse fuego.
- No utilice este producto con líquidos inflamables o explosivos como gasolina, aceite combustible, queroseno, etc., como así tampoco en sus cercanías. Si los elementos giratorios dentro de la bomba golpean cualquier objeto extraño, pueden producirse chispas. Las chispas podrían encender líquidos inflamables.

- Los sistemas de alcantarillado y efluentes producen y pueden contener gases inflamables y explosivos. Evite la introducción de objetos extraños en la cubeta ya que las chispas podrían encender estos gases. Tenga cuidado al usar herramientas y no use dispositivos electrónicos o tenga circuitos eléctricos vivos y expuestos en o alrededor de cuencas, cubiertas abiertas y respiraderos.
- Estas bombas no deben instalarse en ubicaciones clasificadas como peligrosas de acuerdo con el National Electric Code®, ANSI/NFPA 70.

**⚠️ ADVERTENCIA ⚡ RIESGO DE MUERTE**

- No modifique el sistema de bomba/la bomba de ninguna manera. Las modificaciones pueden afectar los sellos, cambiar la carga eléctrica de la bomba, o dañar la bomba y sus componentes.
- Todas las instalaciones del sistema de bomba/la bomba deberán cumplir con todos los códigos y las ordenanzas federales, estatales y locales aplicables.
- Cuenca de ventilación de acuerdo con el código local. La ventilación adecuada de los gases de alcantarilla alivia la acumulación de gas venenoso y reduce el riesgo de explosión y fuego de estos gases inflamables.
- Use equipo de protección personal adecuado cuando trabaje en bombas o tuberías que hayan estado expuestas a aguas residuales. Las bombas de sumidero y de aguas residuales a menudo manipulan materiales que pueden transmitir enfermedades al contacto con la piel y otros tejidos.
- No quite etiquetas de la bomba ni del cable.
- Manténgase alejado de las aberturas de succión y descarga. Para evitar lesiones, nunca inserte los dedos en la bomba mientras está conectada a una fuente de alimentación.

Todos los modelos Pro370 y de descarga vertical serie 380 vienen equipados de fábrica con el interruptor de flotador montado en el conjunto QuickTree. Estos modelos vienen con dos cables, uno para el interruptor del flotador y el otro para el motor de la bomba. El cable del interruptor tiene un enchufe en serie (multicapa) que permite enchufar el cable de la bomba (motor) en la parte posterior del mismo (Figura 13). El propósito de este diseño es permitir el funcionamiento manual de la bomba.

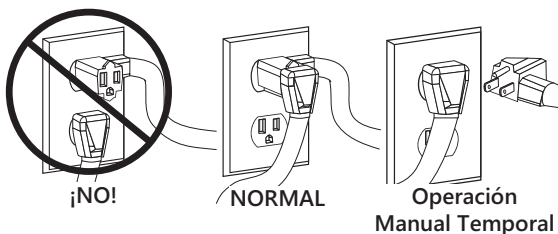


Figura 13. Instalación del enchufe multicapa

**Para el funcionamiento automático**, los dos cables deben estar interconectados y enchufados a un toma de tierra con fusibles separados y con la capacidad de amplificación adecuada para el modelo de bomba seleccionado. Ambos cables están equipados con enchufes de 3 puntas y deben enchufarse a un receptáculo de 3 cables debidamente conectado a tierra. **NO RETIRE LAS PUNTAS A TIERRA.**

**Para operación manual**, o en caso de falla del interruptor, el cable de la bomba puede separarse y enchufarse directamente a la toma de corriente eléctrica y así evitar el interruptor. Las bombas monofásicas de 208-230 V solo deben funcionar sin el interruptor de flotador utilizando el disyuntor o la desconexión del panel. No permita que la bomba funcione en seco.

Si la bomba se conecta directamente a un dispositivo de control o caja de conexiones y es necesario retirar los enchufes, haga que un electricista certificado realice el cableado de acuerdo con el Código Eléctrico nacional y los códigos locales aplicables. Consulte la Figura 14 para conocer la instalación típica de cables directos de bombas automáticas monofásicas.

**⚠️ ADVERTENCIA ⚡ RIESGO DE MUERTE**

- En las instalaciones de 208-230 V, un lado de la línea que va a la bomba siempre está "caliente", independientemente de si el interruptor de flotador está encendido o apagado. Para evitar riesgos, instale una desconexión de doble polo cerca de la instalación de la bomba.

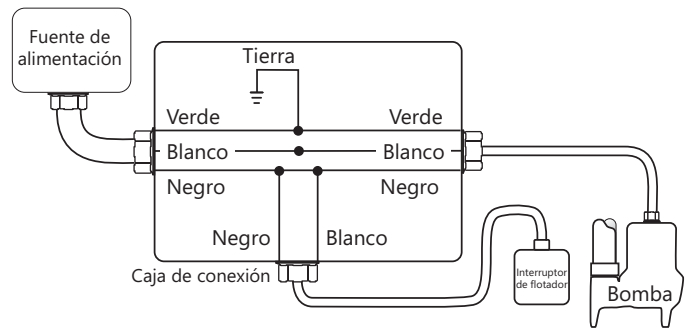


Figura 14. Cableado directo de 115V o 208-230V, 1PH, bombas automáticas



## ***Instrucciones de instalación suplementarias***

### ***Cubetas de prueba de pilas de 10' Series PRO370XL/ PRO380XL***

Las cubetas de expulsión de aguas residuales serie XL están diseñadas para resistir la prueba de apilamiento de 10' requerida por algunos municipios. La instalación correcta de la brida de cubierta especificada es esencial para garantizar que se cumpla la prueba. Se requiere un estricto cumplimiento de estas instrucciones. Bajo ninguna circunstancia la cubierta debe instalarse de manera inconsistente con estas instrucciones.

#### ***Tipos de sistemas***

Las cubetas serie XL están disponibles como sistemas completamente ensamblados que se completan con tuberías de bombeo y descarga, como conjuntos de ensamblaje de cubetas y cubiertas sin bomba o tuberías, y solo como depósitos. Siga las instrucciones a continuación, según sea necesario, para corresponder al tipo específico de sistema.

#### ***Instalación de la cubeta***

1. Para todos los sistemas, consulte las instrucciones primarias que se suministran con este sistema expulsor o cubeta para excavar el pozo, las conexiones de plomería y el relleno.
2. Si la parte superior de la cubeta está por debajo del nivel, se requiere un elevador de acceso (modelo ARC18). La profundidad máxima de enterramiento es de 18" con respecto a la parte superior de la cubeta. Consulte a Liberty Pumps al 1-800-543-2550 o un distribuidor local para obtener más información sobre los elevadores de acceso de la serie ARC.

#### ***Instalación de la bomba en la cubeta serie XL o en el kit de ensamblaje de tapa y cubierta XL***

1. Las cubetas serie XL de Liberty Pumps, adquiridas por separado, requerirán el conjunto de cubierta Pro-Series de 16 pernos apropiado para hacer un sistema de eyector sellado efectivamente. Póngase en contacto con el servicio al cliente de Liberty Pumps para obtener la cobertura adecuada para la aplicación.
2. Calibre la longitud de la tubería de descarga para que llegue desde la descarga de la bomba hasta el interior del zócalo de la tubería de descarga con sello de labio integral en la parte inferior de la cubierta Pro-Series. Las bombas de aguas residuales de Liberty Pumps utilizarán niples de rosca de un extremo (TOE) 17,50 de 23,75" de longitud para las cubetas serie Pro370XL, o de 17,50" de largo para las cubetas serie 380XL. Instale la tubería en la descarga roscada de la bomba.
3. Baje la bomba en la cubeta, ajustando las patas de la bomba en los toques de torque.
4. Inserte el cable de alimentación de la bomba, y el cable del interruptor de lengüeta, si está equipado, a través de la parte inferior del orificio de la tapa de inspección y coloque la cubierta sobre el niple de la tubería mientras alinea los orificios de los pernos. Use dieciséis pernos y arandelas UNC de 1/4-20 para asegurar la cubierta a la cubeta. Apriete los pernos a 40 pulgadas-libras. **No apriete demasiado los pernos.** La junta blanda e integral se ajustará a la parte superior del tanque. Los pernos pueden volver a apretarse hasta 60 pulgadas-libras para sellar cualquier fuga que pueda

ocurrir durante una prueba de apilamiento de 10'. Además, se puede usar una pequeña cantidad de sellador de silicona RTV en caso de que la junta o los insertos se dañen.

5. Liberty Pumps recomienda el uso de bombas de tipo manual y el kit de interruptor QuickTree Liberty Pumps adecuado para montar el control de bomba y los flotadores de alarma. Comuníquese con el servicio al cliente para obtener información sobre pedidos. Instale el QuickTree Kit según las instrucciones incluidas. También se pueden usar las bombas de tipo automático Liberty Pumps con interruptores de flotador piggyback. Coloque el cable de alimentación y el cable del interruptor en las ranuras en el hueco de la cubierta de inspección como se muestra en las instrucciones principales que se incluyen con este sistema. Coloque la cubierta de inspección en la cubierta principal usando los pernos y arandelas suministrados. Apriete los pernos más alejados de las ranuras del cable de alimentación primero, apretando a 40 pulgadas-libras. **No apriete demasiado los pernos.** La junta blanda e integral se ajustará a la parte superior de la cubierta y los cables de alimentación. Los pernos pueden volver a apretarse hasta 60 pulgadas-libras para sellar cualquier fuga que pueda ocurrir durante una prueba de apilamiento de 10'. Además, se puede usar una pequeña cantidad de sellador de silicona RTV en caso de que la junta o los insertos se dañen.



Cubiertas IAPMO serie Pro370XL y Pro380XL, n.º 4361



## Mantenimiento y solución de problemas

### ADVERTENCIA RIESGO DE SHOCK ELÉCTRICO

- Desconecte siempre las bombas de las fuentes de alimentación antes de manipular o realizar cualquier ajuste en las bombas, el sistema de bomba o el panel de control.

Tabla 2. Resolución de problemas de la matriz

Problema	Causa posible	Acción correctiva
La bomba no se ejecutará.	Fusible fundido u otra interrupción de electricidad; voltaje inapropiado.	Verifique que la unidad esté bien conectada. Solicite a un electricista que verifique todos los cables para ver si tienen las conexiones, la tensión y capacidad adecuadas.
	El interruptor no puede moverse a la posición de "encendido" debido a la interferencia con el lateral de la cubeta u otra obstrucción.	Coloque la bomba o el interruptor de modo que tenga la distancia adecuada para una operación libre.
	Nivel de líquido insuficiente.	Verifique que el nivel del líquido se eleve lo suficiente como para activar los interruptores.
	Interruptor defectuoso.	Retire y reemplace el interruptor.
La bomba no se apaga.	Interruptor(es) incapaz/incapaces de moverse a la posición de "apagado" debido a la interferencia con el lateral de la cubeta u otro obstáculo.	Coloque la bomba o el interruptor de modo que tenga la distancia adecuada para una operación libre.
	Interruptor defectuoso.	Retire y reemplace el interruptor.
La bomba funciona o zumba, pero no bombea.	La descarga está bloqueada o restringida.	Verifique el tubo de desagüe en busca de material extraño, incluso hielo si la línea de descarga pasa a través de áreas frías.
	La válvula de retención está atascada o instalada hacia atrás.	Retire la(s) válvula(s) de retención y examine la libertad de operación y la instalación adecuada.
	La válvula de compuerta o de bola está cerrada.	Compuerta abierta o válvula de bola.
	La elevación total está más allá de la capacidad de la bomba.	Intente encaminar la tubería a un nivel inferior. Si no es posible, se puede requerir una bomba más grande. Consulte a Liberty Pumps.
	El impulsor de la bomba está atascado o la carcasa de la voluta está obstruida.	*Retire la bomba de la cubeta. Separe la base de la bomba y limpie el área alrededor del impulsor. Reensamblar y reinstalar.
La bomba se ejecuta periódicamente cuando los accesorios no están en uso.	La válvula de retención no estaba instalada, está atascada o tiene fugas.	Retire la(s) válvula(s) de retención y examine la libertad de operación y la instalación adecuada.
	Los accesorios están goteando.	Repare los accesorios según sea necesario para eliminar las fugas.
La bomba funciona con ruido.	Objetos extraños en la cavidad del impulsor.	*Retire la bomba de la cubeta. Separe la base de la bomba y limpie el área alrededor del impulsor. Reensamblar y reinstalar.
	Impulsor roto.	Consulte Liberty Pumps para obtener información sobre el reemplazo del impulsor.
	Rodamientos desgastados.	Devuelva la bomba a Liberty Pumps o a una estación de reparación autorizada para su reparación.
	Los accesorios de tubería para la construcción son demasiado rígidos.	Reemplace una porción de la línea de descarga con una manguera o conector de goma.

\***NOTA:** Liberty Pumps, Inc. no asume ninguna responsabilidad por daños o lesiones debido al desmontaje en el campo. El desmontaje, excepto en Liberty Pumps o sus centros de servicio autorizados, anula automáticamente la garantía.

## **Garantía**

---

### **Garantía limitada de Liberty Pumps Wholesale Products**

Liberty Pumps, Inc. garantiza que los productos al por mayor de Liberty Pumps están libres de defectos de fábrica en cuanto a materiales y mano de obra por un período de tres (3) años a partir de la fecha de compra (sin incluir las baterías). La fecha de compra se determinará mediante un recibo de venta con fecha que indique el modelo y el número de serie de la bomba. El recibo de venta fechado debe acompañar a la bomba devuelta si la fecha de devolución es superior a tres años desde la fecha de fabricación indicada en la placa de identificación.

La única obligación del fabricante bajo esta Garantía se limitará a la reparación o el reemplazo de cualquier pieza que el fabricante considere defectuosa, siempre que la pieza o el ensamblaje se devuelvan con flete prepago al fabricante o al centro de servicio autorizado, y siempre que no se manifieste ninguna de las siguientes características de anulación de la garantía:

El fabricante no será responsable bajo esta Garantía si el producto no se ha instalado, operado o mantenido correctamente según las instrucciones del fabricante; si ha sido desmontado, modificado, utilizado indebidamente o alterado; si el cable eléctrico ha sido cortado, dañado o empalmado; si la descarga de la bomba se ha reducido en tamaño; si la bomba se ha utilizado en temperaturas de agua superiores a la calificación indicada; si la bomba se ha utilizado en agua que contiene arena, cal, cemento, grava u otros abrasivos; si el producto se ha utilizado para bombear productos químicos, grasa o hidrocarburos; si un motor no sumergible ha sido sometido a humedad; o si la etiqueta que lleva el modelo y el número de serie ha sido eliminada.

Liberty Pumps, Inc. no será responsable por ninguna pérdida, daño o gasto que resulte de la instalación o el uso de sus productos, ni por daños indirectos, incidentales y consecuentes, incluidos los costos de remoción, reinstalación o transporte.

**No hay ninguna otra garantía expresa. Todas las garantías implícitas, incluidas las de comerciabilidad e idoneidad para un fin determinado, están limitadas a tres años a partir de la fecha de compra. Esta Garantía contiene el único recurso para el comprador y, donde esté permitido, se excluye la responsabilidad por daños consecuentes o incidentales bajo cualquiera y todas las garantías.**



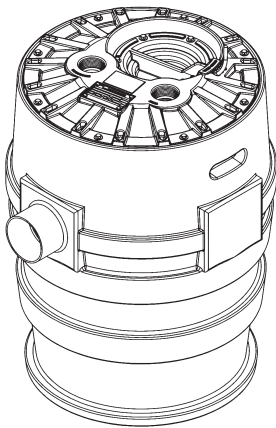
7000 Apple Tree Avenue  
Bergen, NY 14416  
teléfono: 800-543-2550  
fax: 585-494-1839  
[www.libertypumps.com](http://www.libertypumps.com)

## Manuel d'Installation

7225000H

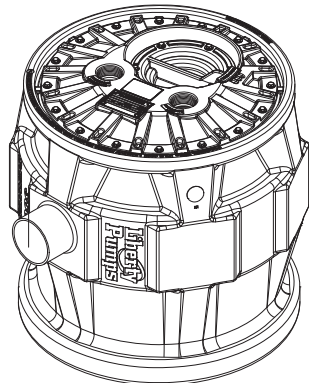
# Systemes de broyage/d'égouts simplex

## Modèles



**Systeme d'égouts  
de la série Pro370**

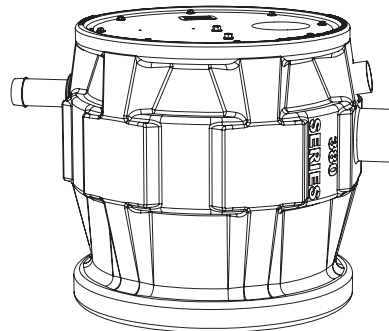
Décharge verticale  
21 po D x 30 po H  
Systeme de 41 gallons



**Systeme d'égouts  
de la série Pro380**

**Systeme de  
broyage ProVore<sup>MD</sup>  
série 380**

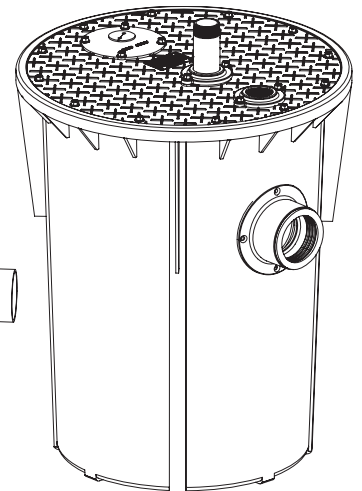
Décharge verticale  
24 po D x 24 po H  
Systeme de 41 gallons



**Systeme d'égouts  
de la série Pro380**

**Systeme de  
broyage ProVore<sup>MD</sup>  
série 380**

Décharge latérale  
24 po D x 24 po H  
Systeme de 41 gallons



**Systeme d'égouts  
de la série 700**









**Systeme de  
broyeur ProVore<sup>MD</sup>  
série 700**



Décharge verticale  
24 po D x 36 po H  
Systeme de 70 gallons

# Table des matières

<i>Mesures de sécurité</i> .....	3
<i>Introduction</i> .....	4
<i>Installation de bassins dans le sol</i> .....	4
<i>Données sur les dimensions du bassin</i> .....	5
<i>Installation et raccordements</i> .....	6
<i>Couverture d'accès QuickTree et 370/380</i> .....	7
<i>Couverture d'accès série 700</i> .....	8
<i>Entretien et fonctionnement des composants électriques</i> .....	9
<i>Instructions d'installation complémentaires</i> .....	10
<i>Entretien et dépannage</i> .....	11
<i>Garantie</i> .....	12

## Consignes de sécurité

	Ce symbole d'alerte de sécurité est utilisé dans le manuel et sur la pompe pour signaler un risque éventuel de blessures graves ou mortelles.
	Ce symbole d'alerte de sécurité identifie le <b>risque de choc électrique</b> . Il est accompagné d'instructions destinées à minimiser le risque éventuel de choc électrique.
	Ce symbole d'alerte de sécurité identifie le <b>risque d'incendie</b> . Il est accompagné d'instructions destinées à minimiser les risques éventuels d'incendie.
	Ce symbole d'alerte de sécurité identifie le <b>risque de blessures graves ou mortelles</b> . Il est accompagné d'instructions destinées à minimiser les risques éventuels de blessures graves ou mortelles.
	Il met en garde contre les dangers qui, s'ils sont négligés, <b>vont</b> entraîner des blessures graves ou mortelles.
	Il met en garde contre les dangers qui, s'ils sont négligés, <b>pourraient</b> entraîner des blessures graves ou mortelles.
	Il met en garde contre les dangers qui, s'ils sont négligés, peuvent entraîner des blessures légères ou moyennes.
	Signale une instruction importante liée à la pompe. Le non-respect de ces instructions peut entraîner une défaillance de la pompe ou des dommages matériels.

	<b>Lire tous les manuels fournis avant d'utiliser le système de pompe. Suivre l'ensemble des consignes de sécurité décrites dans le (les) manuel(s) et celles qui apparaissent sur la pompe. Le non-respect de ces consignes pourrait entraîner des blessures graves ou mortelles.</b>
	<b>Message à l'installateur : le manuel doit demeurer auprès du propriétaire ou de l'opérateur/ responsable de l'entretien du système.</b>
<p>Garder ce manuel à portée de main pour référence future.</p> <p>Pour obtenir un manuel de remplacement, visiter le site <a href="http://libertypumps.com">libertypumps.com</a>, ou communiquer avec Liberty Pumps au 1-800-543-2550.</p> <p>Conserver le reçu de vente daté pour la garantie.</p>	<p>Enregistrer les informations de la plaque signalétique de la pompe:</p> <p>N° de modèle de pompe: _____</p> <p>N° de série de la pompe: _____</p> <p>Date de fabrication: _____</p> <p>Date d'installation: _____</p>

## Mesures de sécurité

### **AVERTISSEMENT** **RISQUE DE CHOC ELECTRIQUE**

- Un contact accidentel avec des pièces sous tension, des objets, du liquide ou de l'eau peut causer des blessures graves ou mortelles.
- Toujours débrancher la(les) pompe(s) de sa(leur) source d'alimentation avant de la(les) manipuler ou d'effectuer des réglages au niveau de la(des) pompe(s), du système de pompe ou du panneau de commande.
- Toute installation et entretien des pompes, des commandes, des dispositifs de protection et du câblage général doivent être effectués par du personnel qualifié.
- Toutes les pratiques électriques et de sécurité doivent être conformes au Code national de l'électricité<sup>MC</sup>, aux normes établies par la *Occupational Safety and Health Administration* (l'Administration de la sécurité et de la santé au travail) ou aux codes et ordonnances locaux applicables.
- Ne pas retirer le cordon ni la bride de cordon, et ne pas raccorder la canalisation électrique à la pompe.
- La pompe doit être mise à la terre correctement à l'aide du conducteur de mise à la terre fourni. Ne pas contourner les fils de mise à la terre et ne pas retirer la broche de masse des fiches de branchement. Si le système de pompe n'est pas correctement mis à la terre, toutes les parties métalliques de la pompe et de son environnement pourraient être mises sous tension.
- Ne pas manipuler et ne pas débrancher la pompe avec les mains mouillées, en vous tenant sur une surface humide ou dans de l'eau à moins de porter un équipement de protection individuelle.
- Les connexions électriques submergées peuvent produire un courant électrique dans l'eau. Toujours porter des bottes diélectriques en caoutchouc et autres équipements de protection individuelle (EPI) en entretenant un système de pompe sous tension lorsqu'il y a de l'eau au sol. Ne pas circuler dans les endroits où le niveau d'eau est supérieur à la protection EPI ou si l'EPI n'est pas étanche.
- Ne pas soulever ni transporter une pompe ou un ensemble de flotteur par son cordon d'alimentation. Cela endommagera le cordon d'alimentation et pourrait exposer les fils sous tension électrique à l'intérieur du cordon d'alimentation.
- La prise d'alimentation électrique doit se trouver à la portée du cordon d'alimentation de la pompe et à au moins 4 pi (1,22 m) au-dessus du niveau du plancher dans le cas des installations sous le niveau du sol.
- N'utilisez pas ce produit pour les installations où les ouvriers peuvent entrer fréquemment en contact avec les liquides pompés (comme les piscines, les fontaines, les zones marines, etc.).
- Protéger le cordon d'alimentation de l'environnement. Les cordons d'alimentation et de commutation non protégés peuvent laisser l'eau traverser les extrémités et pénétrer dans les caissons de la pompe et des commutateurs, entraînant la mise sous tension de l'environnement.

### **AVERTISSEMENT** **RISQUE D'INCENDIE**

- Ne pas utiliser de rallonge électrique pour alimenter le dispositif. Les rallonges peuvent surcharger à la fois les fils d'alimentation du dispositif et des rallonges électriques. Les fils surchargés peuvent devenir très chauds et prendre feu.
- Ce produit nécessite un circuit de dérivation dédié, correctement protégé par un fusible et mis à la terre, dimensionné pour répondre aux exigences de tension et d'intensité de courant électrique de la pompe, conformément aux informations apparaissant sur la plaque signalétique. Les fils de circuit de dérivation surchargés deviennent très chauds et peuvent prendre feu.
- Ne pas utiliser ce produit avec ou près de liquides inflammables ou explosifs tels que l'essence, le mazout, le kérosène, etc. Des étincelles peuvent se produire si des éléments rotatifs à l'intérieur de la pompe heurtent un corps étranger. Les étincelles pourraient enflammer les liquides inflammables.
- Cette pompe ne doit pas être installée dans un endroit classé dangereux selon la norme ANSI/NFPA 70 du NEC (code national de l'électricité).
- Les systèmes d'égouts et d'effluents produisent et peuvent contenir des gaz inflammables et explosifs. Empêcher l'introduction d'objets étrangers dans le bassin car des étincelles pourraient enflammer ces gaz. Faites preuve de prudence en utilisant des outils et n'utilisez pas d'appareils électroniques ou ayez des circuits électriques sous tension dans ou autour des bassins, des couvercles ouverts et des événements.

### **AVERTISSEMENT** **RISQUE DE BLESSURE GRAVE OU DE MORT**

- Ne pas modifier la pompe / le système de pompe de quelque façon que ce soit. Les modifications peuvent affecter les joints d'étanchéité, modifier la charge électrique de la pompe ou endommager la pompe et ses composants.
- Toutes les installations de pompes/systèmes de pompe doivent être conformes à tous les codes et ordonnances fédéraux, provinciaux et locaux applicables.
- Ne pas laisser les enfants jouer avec le système de pompe.
- Ne permettre à aucune personne non qualifiée d'être en contact avec ce système de pompe. Toute personne qui n'est pas consciente des dangers inhérents à ce dispositif, ou qui n'a pas lu ce manuel, peut facilement être blessée en manipulant ou en étant en contact avec ce système de pompe.
- Dans les installations 208-230 V, un côté du câble allant vers la pompe est toujours sous tension, peu importe la position de l'interrupteur du flotteur (en position de marche ou d'arrêt). Pour éviter les risques d'électrocution, installer un interrupteur à deux points près de l'installation de la pompe.
- Ventouse conforme au code local. Une ventilation adéquate des gaz d'égout atténue l'accumulation de gaz toxique et réduit le risque d'explosion et d'incendie de ces gaz inflammables.

- Porter des EPI adéquats pour travailler sur des pompes ou de la tuyauterie qui ont été exposées aux eaux usées. Les pompes d'assèchement et de puisard traitent souvent des matières qui peuvent transmettre des maladies au contact de la peau et d'autres tissus corporels.
- Ne jamais entrer dans le bassin pompage après qu'il ait servi. Les égouts et effluents peuvent émettre plusieurs gaz toxiques.
- Ne pas retirer les étiquettes de la pompe ou de son cordon.
- Demeurer à l'écart des orifices d'aspiration et d'évacuation. Pour éviter toute blessure, ne jamais introduire les doigts dans la pompe pendant qu'il est connecté à une source d'alimentation.
- Ne pas utiliser ce produit pour pomper des liquides inflammables, explosifs ou corrosifs. Ne pas utiliser la pompe dans une atmosphère contenant des substances inflammables et/ou explosives au risque d'entraîner des blessures graves ou mortelles.
- Avertissement en vertu de la Proposition 65 de la Californie: Ce dispositif contient des produits chimiques reconnus par l'État de la Californie comme pouvant causer le cancer, des anomalies congénitales ou d'autres problèmes du système reproducteur. Pour plus d'informations, visiter le site [www.p65warnings.ca.gov](http://www.p65warnings.ca.gov).

#### AVIS

- ◆ Ne pas utiliser ces pompes avec un liquide dont la température est supérieure à 140° F (60° C). Le pompage de liquides à des températures plus élevées peut entraîner une surchauffe et causer une panne de pompe. La température maximale du liquide d'une pompe à fonctionnement continu est de 104° F (40° C).
- ◆ Ne pas utiliser le système de pompage avec de la boue, du sable, du ciment, des hydrocarbures, de la graisse ou des produits chimiques. De telles substances peuvent endommager les composants mécaniques et entraîner un fonctionnement défectueux ou une défaillance de la pompe et du système de pompage. De plus, une inondation peut se produire si ces substances obstruent la pompe ou la tuyauterie.
- ◆ Ne pas faire fonctionner à sec.
- ◆ Le Uniform Plumbing Code<sup>MD</sup> (UPC, Code de plomberie universel) stipule que les systèmes d'égout doivent être munis d'une d'alarme sonore et visuelle qui signale tout mauvais fonctionnement du système, afin de réduire les risques de dommages à la propriété.
- ◆ Ne pas exercer de pression excessive ni utiliser d'équipement lourd sur le matériau de remplissage, car cela pourrait causer l'affaissement du réservoir.
- ◆ Ne serrez pas trop les boulons.
- ◆ Ne pas placer le flotteur de la pompe directement sous l'entrée du drain ou sur le passage direct des eaux d'entrée.

## Introduction

Lire attentivement les directives avant d'effectuer l'installation. Chaque pompe est testée individuellement en usine pour assurer un bon fonctionnement. Le fait de suivre ces directives à la lettre éliminera les risques de problèmes de fonctionnement et assurera des années de service sans soucis.

**Le système de broyeur ProVore<sup>MD</sup>** traite facilement les résidus solides et d'égout que l'on retrouve dans les utilisations domestiques types. Son système de couteau unique broie les déchets problématiques, puis les élimine par une ligne d'évacuation de 3,8 cm (1½ po) ou 5 cm (2 po). Le système ProVore est fourni avec une sortie de 5 cm (2 po). Ne pas augmenter la dimension de ce tuyau à plus de 2 po, puisque les débits nécessaires au bon fonctionnement pourraient ne pas être atteints.

La dimension des lignes d'évacuation peut être réduite à 3,8 cm (1½ po) ou 3,2 cm (1¼ po). Consulter Liberty Pumps pour le dimensionnement approprié des tuyaux et du système.

**Les systèmes Pro-Series** sont livrés avec un système de contrôle intégral avec alarme et QuickTree<sup>MD</sup>. Les flotteurs de la pompe et de l'alarme du système QuickTree sont réglés en usine au bon niveau de fonctionnement. Ne pas ajuster les flotteurs. Le système QuickTree est situé sous un couvercle d'accès séparé pour faciliter l'entretien et les réparations. Les flotteurs pour actionner la pompe et l'alarme (le cas échéant) sont fixés sur un arbre d'acier inoxydable (tige), indépendant de la pompe. Il n'est pas nécessaire de défaire les raccords de plomberie ou de retirer la pompe pour examiner, entretenir ou remplacer les flotteurs. Les flotteurs QuickTree sont réglés en usine pour un fonctionnement optimal et ne doivent pas être ajustés.

**Les systèmes de la gamme Pro** comportent un couvercle transparent de construction jetable conçu pour protéger le système durant les travaux d'installation et de maçonnerie. Le couvercle protecteur doit demeurer en place jusqu'à ce que les travaux de plomberie soient exécutés; cependant, il peut être démonté et réinstallé au besoin. Le couvercle est enclenché sur les orifices filetés des conduits d'évacuation et d'évent. Pour retirer le couvercle transparent, le soulever tout simplement des orifices filetés des conduits d'évacuation et d'évent.

Le système actuel a-t-il été dimensionné par un professionnel? Un débit minimum de liquide est nécessaire dans les systèmes d'égout. Consulter Liberty Pumps pour déterminer la taille de la pompe avant l'installation.

## Installation de bassins dans le sol

- Excavation :** creuser le trou le plus petit possible, avec un dégagement minimum recommandé de 20,32 cm (8 po) tout autour du réservoir. Ne jamais placer le bassin directement en contact avec des roches ou d'autres objets contondants. Placer uniquement du concassé fin lavé de 3 à 19 mm (1/8 à ¾ po) ou 3 à 13 mm (1/8 à ½ po) comme matériau de remplissage entre le bassin et les parois du trou. Ne pas utiliser de sable ni de terre d'origine comme remblai. **Compacter convenablement le sol sous le bassin afin de fournir une base solide et plane capable de supporter le poids du bassin une fois rempli.** Il est recommandé de placer la bride supérieure du bassin au même niveau que le plancher fini.
- Remplissage initial :** utiliser uniquement du concassé fin lavé de 3 à 19 mm (de 1/8 à ¾ po) ou de 3 à 13 mm (de 1/8 à ½ po) entre le fond du trou et le bassin pour le maintenir en place. Ne pas utiliser de sable ni de terre d'origine comme remblai. Raccorder l'arrivée des eaux usées au bassin selon les besoins.



- C. **Raccord d'admission** : les bassins de la **série Pro** sont munis d'une ouverture d'admission de 4 po moulée dans le côté du réservoir. La dimension de cette entrée est faite pour convenir à un raccordement de 10,2 cm (4 po) couplage de type sans moyeu. Les bassins de la **série 700** utilisent un moyeu avec un joint de 4 po pour connecter l'entrée.

Raccorder la canalisation d'écoulement provenant des accessoires à ce raccord.

- D. **Remplissage final** : Les grosses roches, les mottes et autres corps étrangers ne doivent pas être laissés dans le matériau de remplissage. Seul le concassé fin lavé de 3 à 19 mm (1/8 à 3/4 po) ou 3 à 13 mm (1/8 à 1/2 po) est recommandé comme matériau de remplissage. Ne pas utiliser de sable ni de terre d'origine comme remblai. Faire un petit monticule avec le matériau de remplissage, afin de le laisser se tasser naturellement. Prévoir un accès au couvercle du bassin pour les travaux d'entretien et de réparation.

#### AVIS

- ◆ Ne pas exercer de pression excessive ni utiliser d'équipement lourd sur le matériau de remplissage, car cela pourrait causer l'affaissement du réservoir.

### Données sur les dimensions du bassin

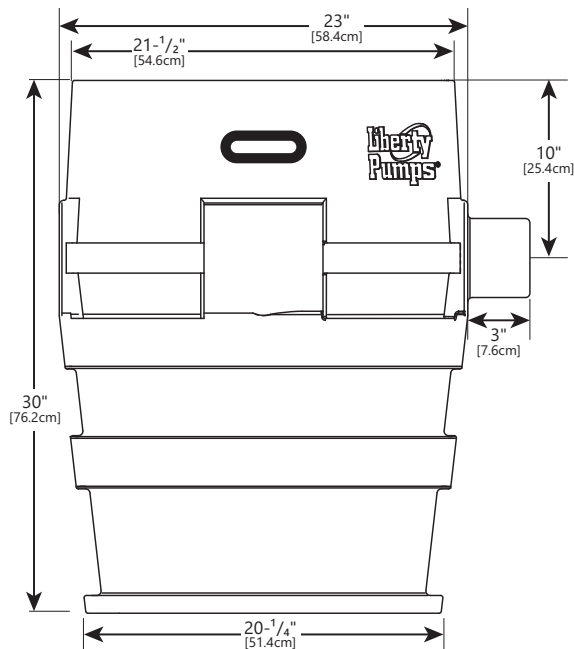


Figure 1. Dimensions du bassin série 370

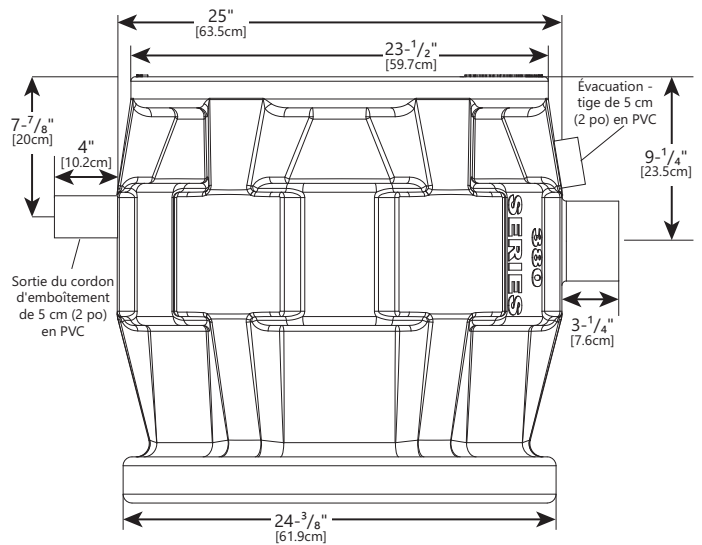


Figure 2. Dimensions du bassin de la série 380 à décharge latérale

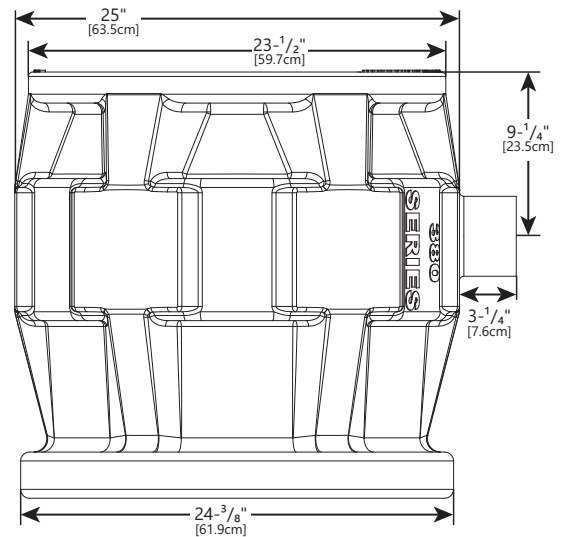


Figure 3. Dimensions du bassin à décharge verticale série 380

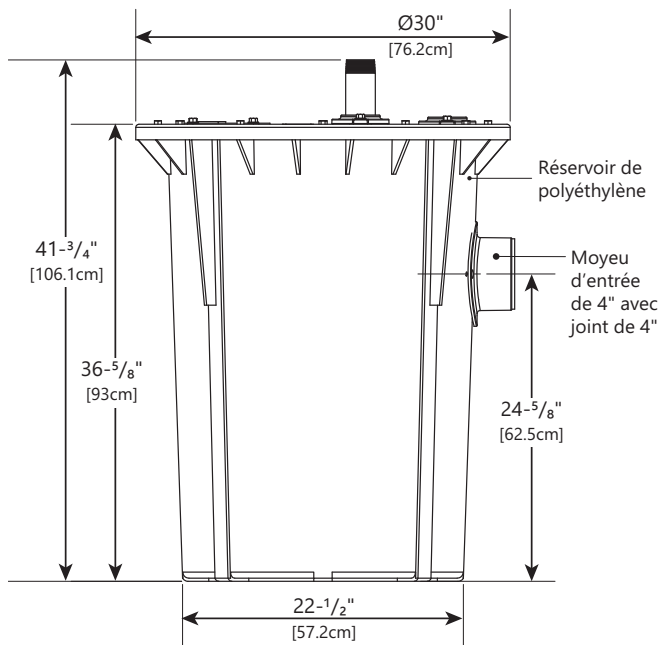


Figure 4. Dimensions du bassin série 700

## Installation et raccordements

- A. **Évacuation** : Raccorder le tuyau d'évacuation à l'orifice fileté de 5 cm (2 po) ou 7,6 cm (3 po) fourni sur le couvercle à l'aide d'un adaptateur (ou au mamelon de 5 cm en PVC utilisé sur les modèles à évacuation latérale).

**IMPORTANT : Ne pas installer de tuyau d'évacuation d'une dimension inférieure à celle fournie avec la pompe.**

La dimension des pompes du système d'égout ne doit pas être inférieure à 52 cm (2 po). Pour certaines applications, il peut être nécessaire d'augmenter la dimension du tuyau afin de réduire les pertes dues à la friction. Communiquer avec Liberty Pumps pour toute question au sujet des dimensions de tuyaux et des débits adéquats.

Installer le tuyau d'évacuation qui reste. Dans les applications à évacuation verticale, il est conseillé d'installer un raccord union juste au-dessus du couvercle, pour faciliter le retrait de la pompe si nécessaire (les applications à évacuation latérale sont équipées d'un raccord union dans le bassin).

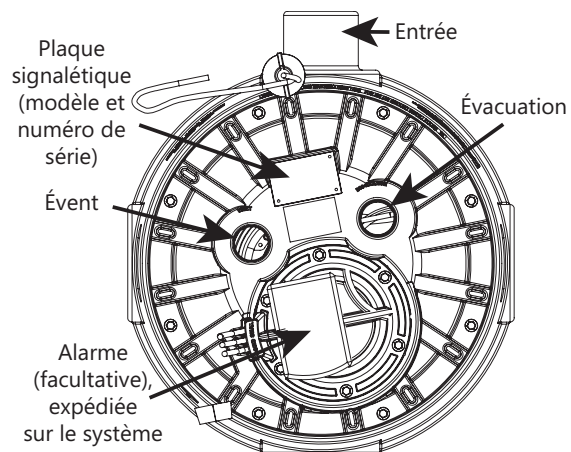


Figure 5. Couvercle de la série 370

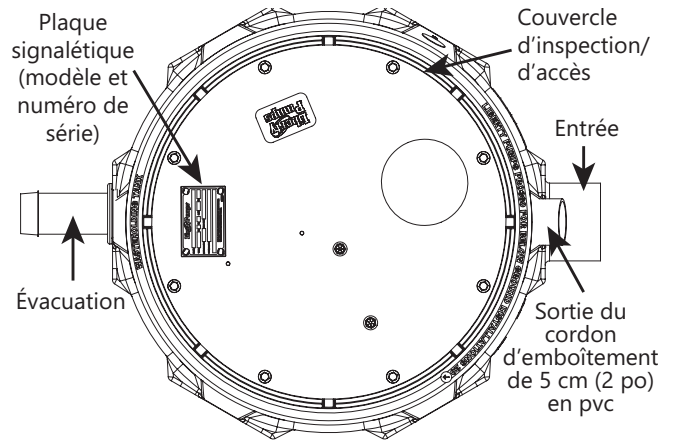


Figure 6. Couvercle de série 380 à décharge latérale

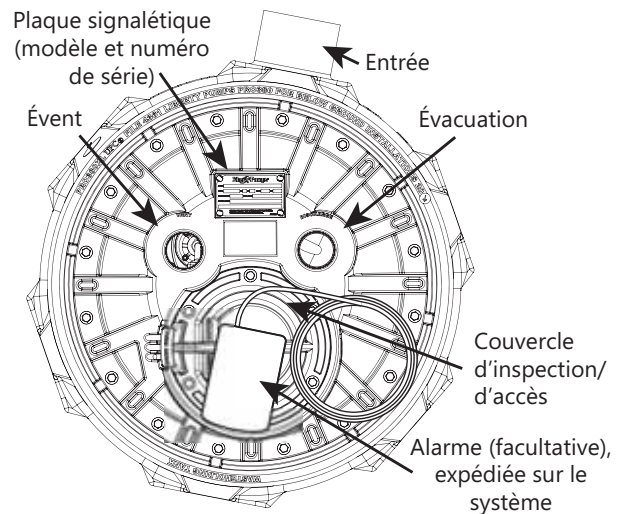


Figure 7. Couvercle de série 380 à décharge verticale

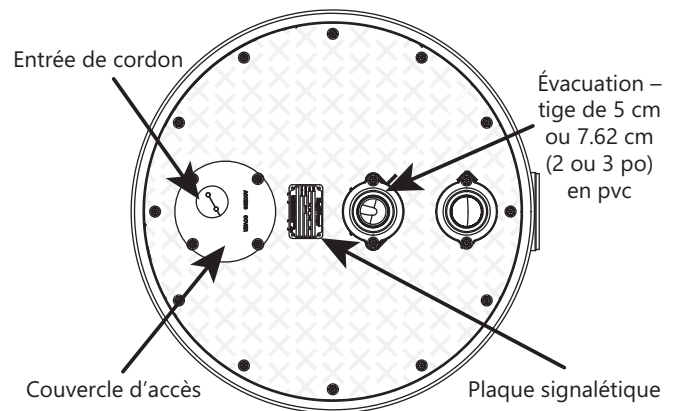


Figure 8. Couvercle de la série 700

- B. Dans les applications tant verticales qu'à évacuation latérale, on recommande l'installation d'un clapet antiretour après le raccord union afin de prévenir le refoulement du liquide après chaque cycle de la pompe. Un robinet-vanne ou clapet à bille doit suivre le clapet antiretour afin de permettre le nettoyage périodique du clapet antiretour ou le retrait de la pompe. Le reste de la canalisation d'évacuation devrait être le plus court possible et comporter un nombre minimum de coudes, afin de réduire la perte de puissance due à la friction. Ne pas installer de tuyau d'évacuation d'une dimension inférieure à 5 cm (2 po) pour les systèmes d'égout. Des tailles de tuyau plus grandes peuvent être nécessaires pour éliminer la perte de charge de friction sur de longues courses. Communiquer avec Liberty Pumps ou un autre spécialiste pour toute question au sujet des dimensions des tuyaux et débits adéquats.

La Figure 9 montre une installation typique. Des variations peuvent s'appliquer à l'installation réelle.

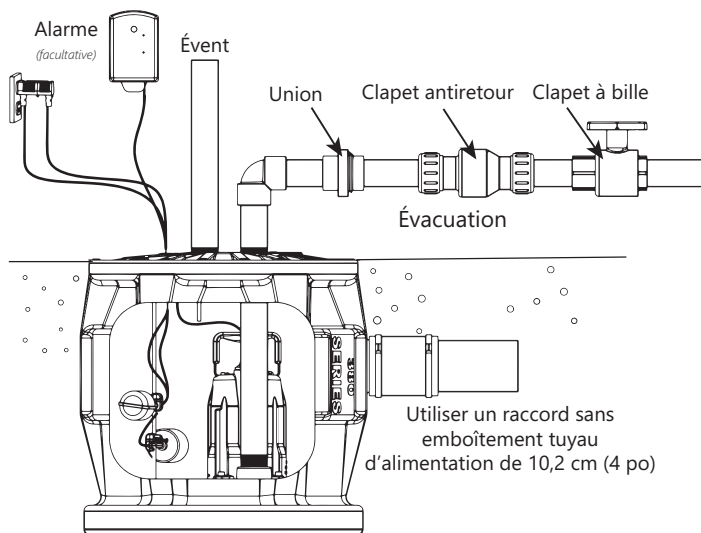


Figure 9. Installation typique (série Pro380 illustrée)

- C. **Évent** : Sur les modèles Pro370 et 380 à décharge verticale, une connexion fileté de 2 po ou 3 po est prévue sur le dessus du couvercle. L'évent doit être raccordé à l'évent existant du bâtiment ou étendu à l'extérieur sur sa propre colonne montante. Dans les systèmes à évacuation latérale et verticale, la dimension de l'évent doit respecter les codes en vigueur, mais jamais être inférieure à celle du tuyau d'évacuation. Voir la Figure 10, un exemple de ventilation à travers le tuyau d'entrée comme solution de rechange.

Sur les modèles à refoulement latéral de série 380, la ventilation est réalisée par l'entrée.

**Remarque** : Les systèmes de la gamme Pro qui sont expédiés avec un tuyau d'acier facultatif sont munis d'un œillet d'étanchéité en caoutchouc plutôt que d'un raccord femelle NPT.

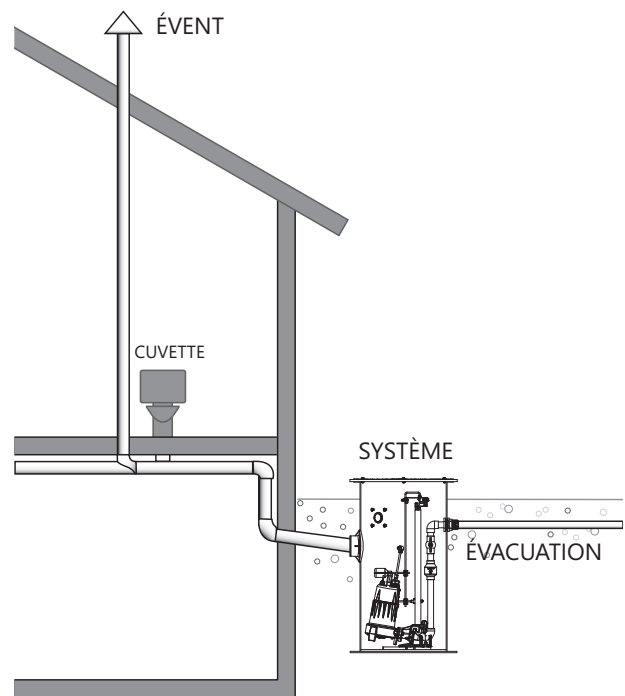


Figure 10. Exemple de méthode de ventilation-alternative

### Couverture d'accès QuickTree et 370/380

Les systèmes Pro370 de Liberty Pumps et les systèmes à décharge verticale de la série 380 sont dotés de la technologie QuickTree. Les flotteurs pour actionner la pompe et l'alarme (le cas échéant) sont fixés sur le QuickTree, indépendant de la pompe.

Le système de flotteur QuickTree comprend une tige de fixation en acier inoxydable (arbre) et des pinces de support à cordon conçues pour fixer le flotteur de la pompe et le flotteur de l'alarme (facultative) du système. **Tous les flotteurs sont réglés en usine pour un fonctionnement optimal et ne doivent pas être ajustés.** Tout réglage des flotteurs effectué sur le terrain risque de causer le mauvais fonctionnement ou l'arrêt de la pompe et de l'alarme facultative.

**Retrait du QuickTree et inspection du flotteur** : Le système QuickTree est situé sous un couvercle d'accès séparé pour faciliter l'inspection, l'entretien et la réparation des flotteurs. Déboulonner tout simplement le couvercle d'accès et soulever le module QuickTree de son support pour inspecter les flotteurs. Il n'est pas nécessaire de défaire les raccords de plomberie ni de retirer la pompe. Les systèmes à évacuation verticale de la gamme Pro sont munis d'une pompe manuelle (sans interrupteur raccordé directement à la pompe). Le fonctionnement de la pompe est assuré par le système QuickTree. Les systèmes de la série 380 à décharge latérale sont équipés d'une pompe automatique.

**Remise en place du QuickTree** : après les travaux d'entretien ou d'inspection des flotteurs, remettre le QuickTree en place sur son support. Il est important d'assurer adéquatement l'étanchéité des cordons de la pompe, de l'interrupteur à flotteur et de l'alarme facultative, tel que décrit dans le paragraphe sur le système intégré d'étanchéité des cordons.

**Système intégré d'étanchéité des cordons :** Il est important d'assurer adéquatement l'étanchéité des cordons du moteur de la pompe, de l'interrupteur à flotteur et de l'alarme facultative dans les tuyaux d'étanchéité spécialement conçus situés sous le couvercle d'accès. Une bonne étanchéité est nécessaire pour que les émanations d'égout ne s'échappent pas du système. Placer les cordons solidement en place dans les tuyaux de caoutchouc, tel qu'illustré à la Figure 11 en prenant soin d'éviter que les cordons n'aient trop de jeu dans le système.

**IMPORTANT :** trois tuyaux à cordons sont fournis. Dans le cas des systèmes sans alarme facultative, seuls deux canaux seront utilisés et le troisième doit être bouché à l'aide d'un bouchon d'étanchéité de caoutchouc fourni. Voir la Figure 11 [droite]. S'il y a un cordon d'alarme, les trois canaux serviront. Tous les joints d'étanchéité en caoutchouc du couvercle sont fixés de manière permanente et n'ont pas besoin d'être remplacés.

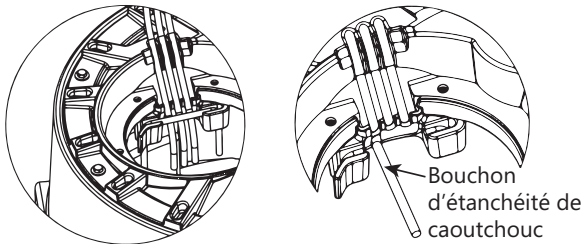


Figure 11. Bien assurer l'étanchéité des cordons, derrière la tige QuickTree

### Paramètres QuickTree pour les systèmes à décharge verticale Pro370 et Pro380

Table 1. Longueur de l'attache (position de l'interrupteur à la pince)

Position de la tige	Série Pro370		Série Pro380	
	Flotteur de l'alarme	Commande de flotteur	Flotteur de l'alarme	Commande de flotteur
1			8,9 cm (3,5 po)	
2	8,9 cm (3,5 po)			
3				7,6 cm (3,0 po)
4		8,9 cm (3,5 po)		

Pour effectuer l'entretien du QuickTree, placer le cordon de l'interrupteur dans le canal ou tuyau, puis faire glisser la tige d'acier inoxydable à travers la pince. Serrez la vis avec un tournevis cruciforme, en faisant attention de ne pas trop serrer. La tige a été aplatie pour désigner l'emplacement du flotteur. Il faut resserrer la vis pour qu'elle s'appuie sur la marque plate. La longueur de la sangle représente la longueur de cordon entre la pince et le flotteur.

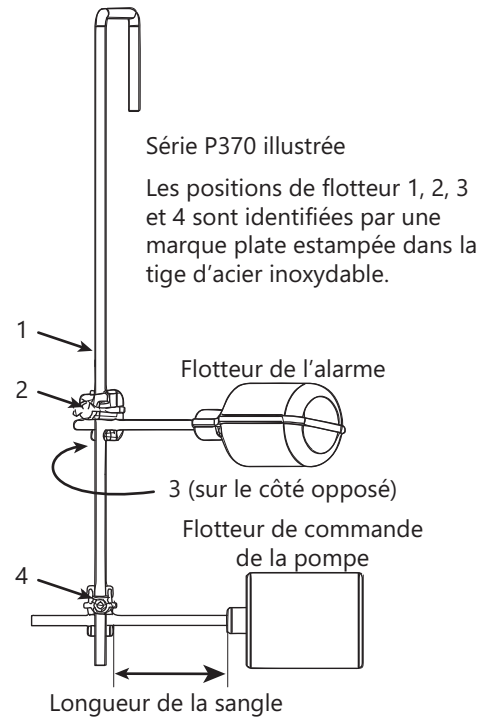


Figure 12. Exemple de paramètres de QuickTree

### Couverture d'accès série 700

Le couvercle de la série 700 contient l'accès au flotteur et aux joints d'entrée/de sortie du cordon d'alarme. Reportez-vous à la Figure 8 pour ces emplacements.

## Entretien et fonctionnement des composants électriques

### **AVERTISSEMENT** ⚡ **RISQUE DE CHOC ELECTRIQUE**

- Toujours débrancher la(les) pompe(s) de sa(leur) source d'alimentation avant de la(les) manipuler ou d'effectuer des réglages au niveau de la(des) pompe(s), du système de pompe ou du panneau de commande.
- Toute installation et entretien des pompes, des commandes, des dispositifs de protection et du câblage général doivent être effectués par du personnel qualifié.
- Ne pas retirer le cordon ni la bride de cordon, et ne pas raccorder la canalisation électrique à la pompe.
- La pompe doit être mise à la terre correctement à l'aide du conducteur de mise à la terre fourni. Ne pas contourner les fils de mise à la terre et ne pas retirer la broche de masse des fiches de branchement. Si le système de pompe n'est pas correctement mis à la terre, toutes les parties métalliques de la pompe et de son environnement pourraient être mises sous tension.
- Ne pas manipuler et ne pas débrancher la pompe avec les mains mouillées, en vous tenant sur une surface humide ou dans de l'eau à moins de porter un équipement de protection individuelle.
- Ne pas soulever ni transporter une pompe ou un ensemble de flotteur par son cordon d'alimentation. Cela endommagera le cordon d'alimentation et pourrait exposer les fils sous tension électrique à l'intérieur du cordon d'alimentation.
- La prise d'alimentation électrique doit se trouver à la portée du cordon d'alimentation de la pompe et à au moins 4 pi (1,22 m) au-dessus du niveau du plancher dans le cas des installations sous le niveau du sol.
- Protéger le cordon d'alimentation de l'environnement. Les cordons d'alimentation et de commutation non protégés peuvent laisser l'eau traverser les extrémités et pénétrer dans les caissons de la pompe et des commutateurs, entraînant la mise sous tension de l'environnement.

### **AVERTISSEMENT** ⚡ **RISQUE D'INCENDIE**

- Ne pas utiliser de rallonge électrique pour alimenter le dispositif. Les rallonges peuvent surcharger à la fois les fils d'alimentation du dispositif et des rallonges électriques. Les fils surchargés peuvent devenir très chauds et prendre feu.
- Ce produit nécessite un circuit de dérivation dédié, correctement protégé par un fusible et mis à la terre, dimensionné pour répondre aux exigences de tension et d'intensité de courant électrique de la pompe, conformément aux informations apparaissant sur la plaque signalétique. Les fils de circuit de dérivation surchargés deviennent très chauds et peuvent prendre feu.
- Ne pas utiliser ce produit avec ou près de liquides inflammables ou explosifs tels que l'essence, le mazout, le kérosène, etc. Des étincelles peuvent se produire si des éléments rotatifs à l'intérieur de la pompe heurtent un corps étranger. Les étincelles pourraient enflammer les liquides inflammables.

- Les systèmes d'égouts et d'effluents produisent et peuvent contenir des gaz inflammables et explosifs. Empêcher l'introduction d'objets étrangers dans le bassin car des étincelles pourraient enflammer ces gaz. Faites preuve de prudence en utilisant des outils et n'utilisez pas d'appareils électroniques ou ayez des circuits électriques sous tension dans ou autour des bassins, des couvercles ouverts et des événements.
- Cette pompe ne doit pas être installée dans un endroit classé dangereux selon la norme ANSI/NFPA 70 du NEC (code national de l'électricité).

### **AVERTISSEMENT** ⚡ **RISQUE DE BLESSURE GRAVE OU DE MORT**

- Ne pas modifier la pompe / le système de pompe de quelque façon que ce soit. Les modifications peuvent affecter les joints d'étanchéité, modifier la charge électrique de la pompe ou endommager la pompe et ses composants.
- Toutes les installations de pompes/systèmes de pompe doivent être conformes à tous les codes et ordonnances fédéraux, provinciaux et locaux applicables.
- Ventouse conforme au code local. Une ventilation adéquate des gaz d'égout atténue l'accumulation de gaz toxique et réduit le risque d'explosion et d'incendie de ces gaz inflammables.
- Porter des EPI adéquats pour travailler sur des pompes ou de la tuyauterie qui ont été exposées aux eaux usées. Les pompes d'assèchement et de puisard traitent souvent des matières qui peuvent transmettre des maladies au contact de la peau et d'autres tissus corporels.
- Ne pas retirer les étiquettes de la pompe ou de son cordon.
- Demeurer à l'écart des orifices d'aspiration et d'évacuation. Pour éviter toute blessure, ne jamais introduire les doigts dans la pompe pendant qu'il est connecté à une source d'alimentation.

**Tous les modèles Pro370 et de la série 380 à évacuation verticale** sont munis d'un flotteur en usine et l'interrupteur à flotteur est fixé sur le module QuickTree. Ces modèles sont munis de deux cordons : l'un relié à l'interrupteur à flotteur et l'autre au moteur de la pompe. Le cordon de l'interrupteur est muni d'un connecteur en série (siamois) permettant de brancher le cordon de la pompe (moteur) sur son dos (Figure 13). Ce système a pour but de permettre le fonctionnement manuel de la pompe.

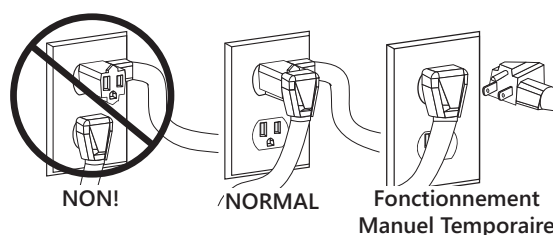


Figure 13. Installation de prises siamaises

**Pour un fonctionnement automatique**, les deux cordons doivent être interconnectés et branchés dans une prise d'une intensité en ampères suffisante pour le modèle de pompe choisi, avec fusibles indépendants et mis à la terre. Les deux cordons sont munis de fiches à trois broches et doivent être branchés dans une prise à trois broches avec mise à la terre adéquate. **NE PAS RETIRER LA BROCHE DE MISE À LA TERRE.**



**Pour permettre le fonctionnement manuel**, ou en cas de défaillance de l'interrupteur, le cordon de la pompe peut être séparé et branché dans la prise électrique, en contournant directement l'interrupteur. On doit uniquement faire fonctionner les pompes 208-230 V monophasées sans l'interrupteur à flotteur en utilisant le disjoncteur ou l'interrupteur du panneau. Ne pas laisser la pompe fonctionner à sec.

Si la pompe doit être branchée directement dans un dispositif de commande ou une boîte de connexion, et qu'il est nécessaire de retirer les fiches, faire raccorder le câblage par un électricien autorisé en respectant les normes du code national de l'électricité et de tous les codes locaux en vigueur. Voir la Figure 14 pour installation directe de pompes unipolaires automatiques.

**AVERTISSEMENT** ⚡ **RISQUE DE BLESSURE GRAVE OU DE MORT**

- Dans les installations 208-230 V, un côté du câble allant vers la pompe est toujours sous tension, peu importe la position de l'interrupteur du flotteur (en position de marche ou d'arrêt). Pour éviter les risques d'électrocution, installer un interrupteur à deux points près de l'installation de la pompe.

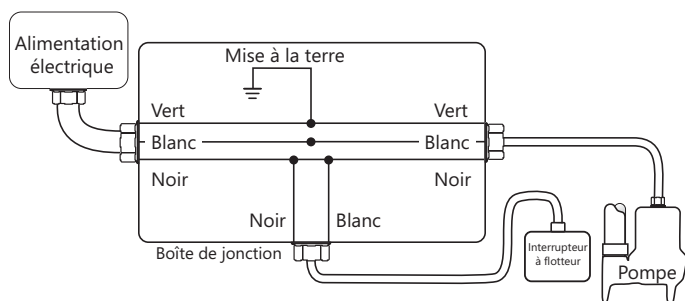


Figure 14. Câblage direct de 115V ou 208-230V, 1PH, pompes automatiques

## Instructions d'installation complémentaires

### Série de tests des bassins PRO370XL/ PRO380XL-Series 10 po

Les bassins d'évacuation de la série XL sont conçus pour supporter les tests de colonne de 10 pi exigés par certaines municipalités. La bride de couvercle doit être adéquatement installée pour assurer le respect des critères de test. Il est essentiel de respecter rigoureusement ces instructions. En aucun cas l'installation du couvercle ne doit différer de ces instructions.

### Types de systèmes

Plusieurs modèles de bassins de la série XL sont disponibles : système entièrement préassemblé avec pompe et conduite d'évacuation, système avec bassin et couvercle sans pompe ni tuyauterie, et bassin uniquement. Veuillez suivre les instructions ci-dessous selon le type de système que vous possédez.

### Installation du bassin

1. Indépendamment du système que vous possédez, vous devez en premier lieu vous référer aux instructions de base fournies avec le système d'évacuation complet ou le bassin pour tous les renseignements concernant l'excavation du puits, les raccords de tuyauterie et le remplissage.
2. Si le dessus du bassin est enfoui sous le niveau du sol, une colonne montante (modèle ARC18) est nécessaire. Le dessus du bassin doit se trouver à une profondeur maximale de

46 cm (18 po) sous le sol. Consultez Liberty Pumps au 1 800 543-2550 ou un distributeur local pour plus d'informations sur les colonnes montantes de la série ARC.

### Installation de la pompe dans le bassin de série XL ou de série XL avec système de couvercle

1. Les bassins de la série XL de Liberty Pumps achetés séparément devront être utilisés conjointement avec l'assemblage de couvercle de la série Pro (16 boulons) afin d'offrir un système d'évacuation parfaitement hermétique. Contactez le service à la clientèle de Liberty Pumps pour connaître la couverture adéquate pour l'application.
2. Assurez-vous que la conduite d'évacuation est de longueur suffisante pour être raccordée à la douille d'évacuation à étanchéité incorporée de la pompe, située sur la face intérieure du couvercle de la série Pro. Les pompes de relèvement Liberty Pumps utilisent des embouts filetés d'une longueur de 23,75 po pour les bassins de la série 370XL et de 17,50 po pour les bassins de la série 380XL. Raccordez le tuyau à la sortie filetée de la pompe.
3. Descendez la pompe dans le bassin en vous assurant d'insérer les pattes de la pompe dans les butées de torsion.
4. Glissez le cordon d'alimentation de la pompe (ainsi que le cordon de l'interrupteur siamois, le cas échéant) par la partie inférieure de l'orifice du couvercle d'inspection et placez le couvercle sur le mamelon tout en alignant les orifices des boulons. Utilisez 16 boulons et rondelles 20 UNC ¼ po pour fixer le couvercle au bassin. Serrez les boulons à 40 pouces-livres. **Ne pas trop serrer les boulons.** Le joint souple intégré s'ajustera sur la paroi supérieure du réservoir. Vous pouvez resserrer les boulons à 60 pouces-livres pour colmater les fuites qui peuvent survenir lors d'un test de colonne de 10 pi. Vous pouvez également utiliser une petite quantité de silicone (à vulcanisation à la température de la pièce) si le joint est endommagé.
5. Liberty Pumps recommande d'utiliser des pompes de type manuel avec une trousse Liberty QuickTree adaptée pour assembler la commande de la pompe et les flotteurs d'alarme. Contactez le service à la clientèle pour les informations concernant les commandes. Installez la trousse QuickTree selon les instructions fournies. Il est également possible d'utiliser les pompes Liberty Pumps de type automatique avec interrupteur à flotteur « siamois ». Placez le câble d'alimentation et le câble de l'interrupteur dans les rainures de l'orifice du couvercle d'inspection, tel qu'il est illustré dans les instructions de base fournies avec ce système. Fixez le couvercle d'inspection au couvercle principal en utilisant les boulons et les rondelles fournis. Serrez d'abord les boulons les plus éloignés des rainures du câble d'alimentation à 40 pouces-livres. **Ne pas trop serrer les boulons.** Le joint souple intégré s'ajustera sur la paroi supérieure du couvercle et des cordons d'alimentation. Vous pouvez resserrer les boulons à 60 pouces-livres pour colmater les fuites qui peuvent survenir lors d'un test de colonne de 10 pi. Vous pouvez également utiliser une petite quantité de silicone (à vulcanisation à la température de la pièce) si le joint est endommagé.



Les lavabos de la série Pro370XL et Pro380XL classés par l'IAPMO, n° 4361



## Entretien et dépannage



**RISQUE DE CHOC ELECTRIQUE**

- Toujours débrancher la(les) pompe(s) de sa(leur) source d'alimentation avant de la(les) manipuler ou d'effectuer des réglages au niveau de la(des) pompe(s), du système de pompe ou du panneau de commande.

Table 2. Matrice de dépannage

Problème	Cause possible	Mesure correctrice
La pompe ne fonctionnera pas.	Fusible brûlé ou autre interruption d'alimentation, tension inadéquate.	S'assurer que le branchement de l'appareil est sécuritaire. Demander à un électricien de vérifier tous les câbles au niveau des branchements et de s'assurer que la capacité et l'intensité sont adéquates.
	L'interrupteur ne peut se mettre en position de marche en raison de l'interférence du côté du bassin ou d'un autre type d'obstacle.	Placer la pompe ou l'interrupteur de manière à ce que le dégagement soit suffisant pour bien fonctionner.
	Niveau de liquide insuffisant.	Assurez-vous que le niveau de liquide peut monter suffisamment pour activer le s interrupteurs.
	Interrupteur défectueux.	Remplacer l'interrupteur s'il est défectueux.
La pompe ne s'éteint pas.	Les interrupteurs ne peuvent se mettre en position d'arrêt en raison de l'interférence du côté du bassin ou d'un autre type d'obstacle.	Placer la pompe ou l'interrupteur de manière à ce que le dégagement soit suffisant pour bien fonctionner.
	Interrupteur défectueux.	Remplacer l'interrupteur s'il est défectueux.
La pompe tourne ou gronde, mais ne pompe pas.	Conduits d'évacuation bloqués ou restreints.	Vérifier dans la canalisation d'évacuation qu'il n'y ait pas de corps étrangers, y compris de formation de glace si la canalisation d'évacuation se trouve dans des zones froides ou si elle les traverse.
	Clapet antiretour bloqué en position fermée ou incorrectement à l'envers.	Retirer tout clapet antiretour et vérifier qu'il fonctionne librement et est bien installé.
	Robinet-vanne ou clapet à bille fermé.	Ouvrir le robinet-vanne ou le clapet à bille.
	La charge ascensionnelle totale dépasse la capacité de la pompe.	Essayer de rediriger le tuyau à un niveau inférieur. Si ce n'est pas possible, une pompe plus grande peut être nécessaire. Consultez Liberty Pumps.
	Le rotor de la pompe est bloqué ou le corps de pompe en spirale est bouché.	*Retirer la pompe du bassin. Détachez la base de la pompe et nettoyez la zone autour de la turbine. Réassemblez et réinstallez.
La pompe fonctionne périodiquement lorsque les accessoires ne sont pas utilisés.	Clapet antiretour non installé, bloqué en position ouverte ou qui fuit.	Retirer tout clapet antiretour et vérifier qu'il fonctionne librement et est bien installé.
	Les accessoires coulent.	Réparer les accessoires au besoin pour éliminer les fuites.
La pompe fait du bruit.	Corps étrangers dans les cavités du rotor.	*Retirer la pompe du bassin. Détachez la base de la pompe et nettoyez la zone autour de la turbine. Réassemblez et réinstallez.
	Rotor brisé.	Consulter les Liberty Pumps pour plus d'informations concernant le remplacement de la roue.
	Roulements usés.	Retourner la pompe au fabricant ou la faire réparer par un réparateur autorisé.
	Raccordements des tuyaux à la structure de la maison trop rigides.	Remplacer une partie du tuyau d'évacuation par un boyau ou un raccord en caoutchouc.

\* **REMARQUE** : Liberty Pumps, Inc. n'est pas responsable des dommages ou blessures résultant d'un démontage sur le terrain. Le démontage, autre que chez Liberty Pumps ou ses centres de service autorisés, annule automatiquement la garantie.

## **Garantie**

---

### ***Liberty Pumps Wholesale Products Garantie limitée***

Liberty Pumps, Inc. garantit que ses produits de gros sont exempts de tout défaut de matériau et de fabrication pour une période de trois (3) ans à partir de la date d'achat (à l'exception des batteries). La date d'achat est déterminée par un reçu de vente daté indiquant le modèle et le numéro de série de la pompe. Le reçu de vente daté doit accompagner la pompe retournée si la date de retour est supérieure de trois ans à la date de fabrication indiquée sur la plaque signalétique de la pompe.

L'obligation du fabricant en vertu de la présente garantie se limite à la réparation ou au remplacement de toute pièce jugée défectueuse par le fabricant, à condition que la pièce ou l'appareil soit retourné fret port payé au fabricant ou à son centre de service autorisé, et à condition qu'il n'y ait aucune preuve que les critères suivants annulant la garantie sont en cause:

Le fabricant ne sera pas responsable en vertu de la présente garantie si le produit n'a pas été installé, utilisé ou entretenu conformément aux instructions du fabricant; s'il a été démonté, modifié, dégradé ou altéré; si le cordon électrique a été coupé, endommagé ou épissé; si la sortie de la pompe a été réduite; si la pompe a été utilisée à des températures d'eau supérieures à celles d'un service normal, ou dans de l'eau contenant du sable, de la chaux, du ciment, du gravier ou autres abrasifs; si le produit a été utilisé pour pomper des produits chimiques, de la graisse ou des hydrocarbures; si un moteur non submersible a été soumis à une humidité excessive; ou si l'étiquette portant le modèle et le numéro de série a été retirée.

Liberty Pumps, Inc. ne sera pas responsable des pertes, dommages ou dépenses découlant de l'installation ou de l'utilisation de ses produits, ni des dommages indirects, accessoires et consécutifs, y compris les coûts de retrait, de réinstallation ou de transport.

**Il n'y a aucune autre garantie expresse. Toute garantie implicite, y compris celles de qualité marchande et d'aptitude à une fin particulière, sont limitées à une durée de trois ans à partir de la date d'achat. La présente garantie comprend le recours exclusif de l'acheteur et exclut, lorsque permis par la loi, toute responsabilité pour dommages consécutifs ou accessoires en vertu de toutes autres garanties.**



7000 Apple Tree Avenue  
Bergen, NY 14416  
téléphone: 800-543-2550  
télécopie: 585-494-1839  
[www.libertypumps.com](http://www.libertypumps.com)