



POLARIS: 12V & 24V Brass Up Light

PROJECT:	
TYPE:	
CATALOG NUMBER:	
LAMP(S):	
NOTES:	

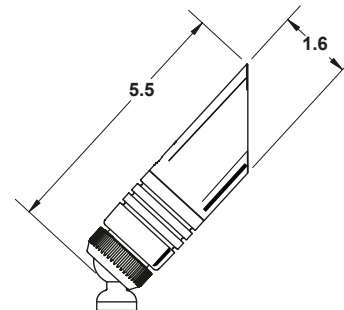
FIXTURE ORDERING INFORMATION

Example: POLA-NL-0-6P (Polaris, No Lamp, 3' Wire Lead, Weathered Brass, 6 Pack)

MODEL NAME	VOLTAGE	WATTAGE	WIRE LENGTH	FINISH	OPTIONS
POLA	12=12 Volt 24=24 Volt	20= 20W Halogen NL=No Lamp	Leave blank for standard 25' length * 0= 3' wire lead * 50= 50' wire lead	leave blank for standard WB finish P= Standard powder coat finishes. List your desired color in the order comments area.	* 6P= Six Pack

NOTE: For additional painted finishes or six pack options contact our factory.

DIMENSIONS:



Powder Coated Finishes

Tucson Tan	TT
White	WH
Black	BK
Verde Green	VG
Titanium Knight	TK

Standard Finish

Weathered Brass	
-----------------	--

Stock powder coated colors displayed are subject to varying lead-times and will incur an additional cost. A Limited Warranty applies to all powder coated products. Custom colors are available upon request. Please inquire about cost and lead times. Contact factory for custom colors and matching paint options.

* Only available with the NL wattage option.
Unique Lighting Systems® reserves the right to modify the design and/or construction of the fixture shown without further notification.

SPECIFICATIONS

Our Commitment

Unique Lighting Systems' highest commitment is to set the standard for manufacturing innovative and quality products. This commitment is evident through our detailed inspection processes and extensive field testing. From the initial design process of each product, to the final assembly of each custom-made individual part, our manufacturing process accomplishes the highest level of performance and durability carried through to final delivery to the end user. Durable construction and beautiful styling make Unique™ fixtures the ideal solution for any residential or commercial application. Unique Lighting™ already holds numerous product patents and we are constantly developing innovative ideas to help expand the lighting industry.

Body

Precision machined from solid brass casting. Body design provides enclosed, water resistant wireway to protect wires.

Gasket

High temperature silicone o-ring for water-tight seal.

Knuckle

Machined brass, exclusive ball and joint. The 360° Orbital Mount™ allows for perfect directional fine tuning.

Shroud

Precision machined and comes with a factory sealed shock resistant glass lens to prevent water intrusion. Accepts up to one additional lens/hex cell accessory.

Lens

Comes with a complete set of optical designer lenses including: spread lens, frosted, hex cell.

Lamp

For use with a halogen lamp up to 20W MR11 lamp.

Electrical Requirements

A remote 12V or 24V transformer required, may be ordered separately from Unique Lighting Systems®. Voltage range for 12V halogen lamps is 10.8V to 12V. Voltage range for 24V halogen lamps is 21.6V to 24V.

Lamp Connection

Specification grade, beryllium copper lamp holder. GU5.3 base.

Wiring

Exclusive UF Intelli-Flex wire with anti-moisture migration connections.

Mounting Stake

Standard mounting stake is injection molded PVC with a ½" NPS threaded female fitting.

Finish

Exclusive Weathered Brass finish is standard. Unique™ Lightings' Weathered Brass finish is a "living finish" and will naturally patina and change over time. Polyester powder coat finishes are also available (see chart above).

Warranty

The Odyssey Family of products from Unique Lighting Systems® carries a limited lifetime warranty against manufacturer's defects.

Manufacturing

Manufactured to ISO 9001-2008 Quality Systems Standard



UL 2108:2004 R12.07
CSA C22.2.9.0-96 (R2006)

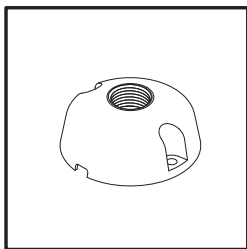


ACCESSORIES

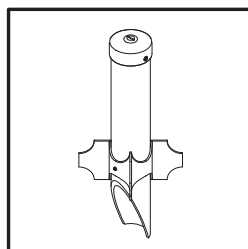
Type	Part #	Description
*Lens	118-2102	Clear domed replacement lens
*Lens	MR11AXOP	Linear Spread
*Lens	MR11DEOP	Frosted
*Lens	MR11VIOP	Dimpled Spread
Lens	MR11AMBER	Amber (Sea Turtle Friendly)
Lens	MR11BLUE	Blue
Lens	MR11GREEN	Green
Lens	MR11RED	Red
Lens	MR11YELLOW	Yellow
Lens	MR11HEX	Aluminum Hex Louver
*Lense Clip	11CLIP	Lens Retainer Clip
*Lock Nut	2040305	Orbital Lock Nut
Base	SPHEREBASE	Round Mounting Base
Bracket	UNIBRACKET	Universal Mounting Bracket (Gutter Bracket)
*Stake	FUSIONSTAKE	Small stake, brown
Stake	STABILIZERSTAKE	Large stake, brown
Perma Post	ZEROG	Docking Post
Perma Post	ZEROG-WB	Docking Post W/Brass Cap
Riser	6RISER	6" Brass Riser
Riser	12RISER	12" Brass Riser
Riser	24RISER	24" Brass Riser
Riser	12ADJRISER	12" Adjustable Brass Riser WB
Riser	24ADJRISER	24" Adjustable Brass Riser WB
Riser base	12ADJRISERBASE	12" Adjustable Brass Riser Base WB
Riser base	24ADJRISERBASE	24" Adjustable Brass Riser Base WB

*Included with standard fixture

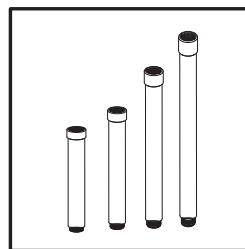
COMMONLY USED WITH THIS FIXTURE:



Round Mounting Base
Part # SPHEREBASE



Docking Post W/Brass Cap
Part # ZEROG-WB



Riser - 6", 12", 24" & 36"
Part # 6RISER
Part # 12RISER
Part # 24RISER
Part # 36RISER



UL 2108:2004 R12.07
CSA C22.2.9.0-96 (R2006)