

# PINNACLES G4 Soft Accent Light



## DESCRIPTION

The Pinnacles Soft Accent Light works with G4 Rectangular Wafer LEDs. It features a frosted glass lens, as well as the Brilliance Metal Works signature adjustment system, which allows for 22 points of articulation of the knuckle in 10 degree increments.

## PINNACLES SOFT ACCENT LIGHT

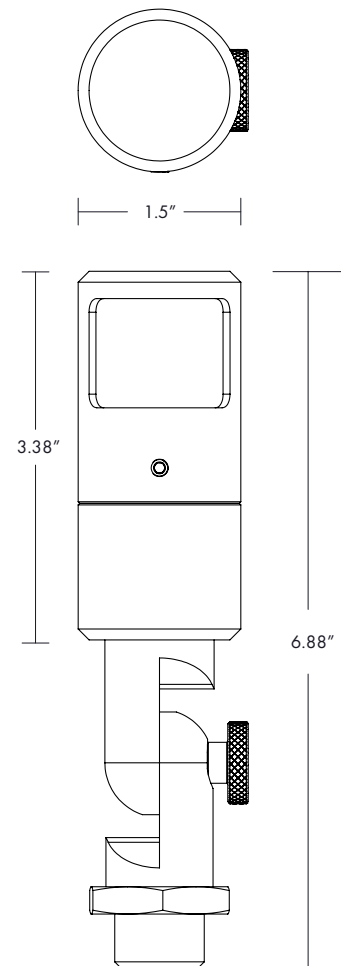
Use	<b>Uplighting, Grazing, and Backlighting Techniques Best Used When Low Level Wall Wash Techniques are Desired</b>	
Finish	<b>Brass or Brass w/ Black Cerakote®</b>	
Includes	<b>ABS Mounting Stake, LightingShrink Professional Crimp, and Heat Shrink Cable Connector</b>	
Order With Lamp	<b>G4 Rectangular Wafer, 2W, 2700K</b>	PINNACLES-DL-G4-BR PINNACLES-DL-G4-BR-BLK
Order Without Lamp	<b>Fits G4 Bi-Pin</b>	PINNACLES-DL-G4-BR-NL PINNACLES-DL-G4-BR-BLK-NL



Brass (BR)



Brass + Black Cerakote®  
(BR-BLK)





**PINNACLES-AL-G4-BR**

**SOFT SOIL APPLICATIONS: INSTALLING THE GROUND STAKE & FIXTURE**

1. Connect the power cable from the fixture body to the landscape cable.
2. Lay the power cable into the slotted relief on the stake.
3. Press the fixture and stake into the ground.
4. Use a level to ensure the top of the stake is level with the ground.

**HARD SOIL APPLICATIONS: INSTALLING THE GROUND STAKE & FIXTURE**

1. Unscrew the fixture body from the stake.
2. Dig a hole approximately 4" wide by 10" deep and gently tap the stake into the ground with a rubber mallet.
3. Use a level to ensure the top of the stake is level with the ground.
4. Reinstall the fixture body onto the stake and lay the power cable into the slotted relief on the stake.
5. Connect the power cable from the fixture body to the landscape cable.

**ADJUSTING THE FIXTURE**

1. Turn the thumbnut counter-clockwise to loosen the knuckle.
2. Rotate the fixture vertically to the preferred position.
3. Turn the thumbnut clockwise to hold it in the preferred position. Adjusting the fixture allows for dark sky ordinance applications.

**INSTALLING THE LAMP**

1. Loosen the 3/32 set screw on the face of the fixture.
2. Remove the brass cap.
3. Install the G4 lamp into the socket.
4. Place the brass cap back on the fixture body.
5. When using a Micro G4 or Beacon G4, you can adjust the window to direct light where you want it.

**IMPORTANT: REPLACE THE O-RINGS IF NECESSARY**