

C. MAINTENANCE

The only maintenance operation required is the removal of dirt and lint from the condenser of the water cooler. Inspection should be made at 3-month intervals. Disconnect power supply cord, then clean condenser with small stiff non-wire brush when required. Observance of this procedure will ensure adequate air circulation through condenser so operation is efficient and economical.

D. OVERLOAD PROTECTION (water cooler)

Compressor motor, where used, is equipped with automatic reset protector which will disconnect motor from line in case of an overload.

E. LUBRICATION (water cooler)

This unit is equipped with a hermetically sealed compressor and requires no additional lubrication. The fan motor on this unit seldom needs oiling, but if required, a few drops of SAE 10 oil should be used.

F. TO DISCONTINUE USE OF WATER COOLER AND WATER FOUNTAIN

1. Close water shut off valve.
2. Provide container to catch water to be drained.
3. Disconnect the water supply line at the water cooler "WATER SUPPLY" tube. Disconnect water cooler "DRAIN/REMOTE COLD WATER" tube from water fountain "WATER IN" tube. Place container under water cooler "DRAIN/REMOTE COLD WATER" tube, then push and hold push button on the water cooler until water cooler is completely drained. Place container under water fountain "WATER IN" tube, then push and hold push button on the water fountain until water fountain is completely drained.
4. Disconnect the power supply cords.
5. Plug both water cooler "DRAIN/REMOTE COLD WATER" tube, and water fountain "WATER IN" tube.
6. ALWAYS DRAIN ALL WATER WHEN FREEZING TEMPERATURES ARE ANTICIPATED AND BEFORE SHIPPING THE WATER COOLER.

*American With Disabilities Act

WARNING

The warranty and the Underwriters' Laboratory listing for this machine are automatically voided if this machine is altered, modified, or combined with any other machine or device. Alteration or modification of this machine may cause serious flooding and/or hazardous electrical shock or fire.

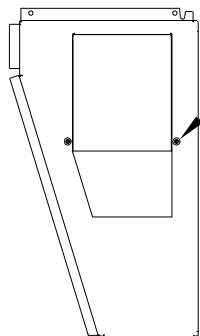
EXCEPT AS SET FORTH HEREIN, THE MANUFACTURER MAKES NO OTHER WARRANTY, GUARANTEE OR AGREEMENT EXPRESSED, IMPLIED OR STATUTORY, INCLUDING ANY IMPLIED WARRANTY OR MERCHANTABILITY OR FITNESS FOR A PARTICULAR PURPOSE.

OASIS INTERNATIONAL
 222 East Campus View Blvd. • Columbus, OH 43235 U.S.A.
 1-800-950-3226
 www.oasiscooler.com

OASIS is a registered trademark of LVD Acquisition, LLC dba Oasis International
 A WBENC – Certified Women's Business Enterprise

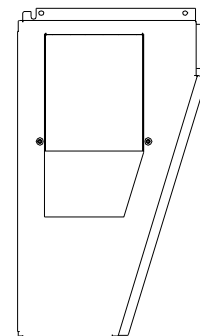
©2014 LVD Acquisition, LLC
 030099-350 Rev D

WATER FOUNTAIN
 RIGHT SIDE PANEL



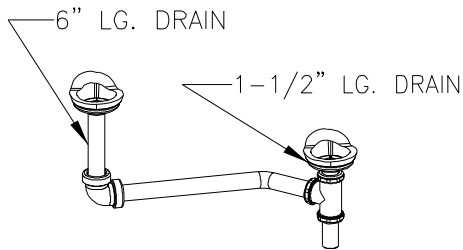
2 T15 TORX HEAD
 SCREWS (PROVIDED)

WATER COOLER
 LEFT SIDE PANEL



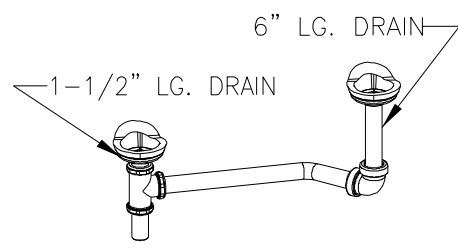
PATCH PLATE LOCATION
 FOR COOLER CONFIGURED
 FOR RIGHT SIDE LOW

PATCH PLATE LOCATION
 FOR COOLER CONFIGURED
 FOR RIGHT SIDE HIGH



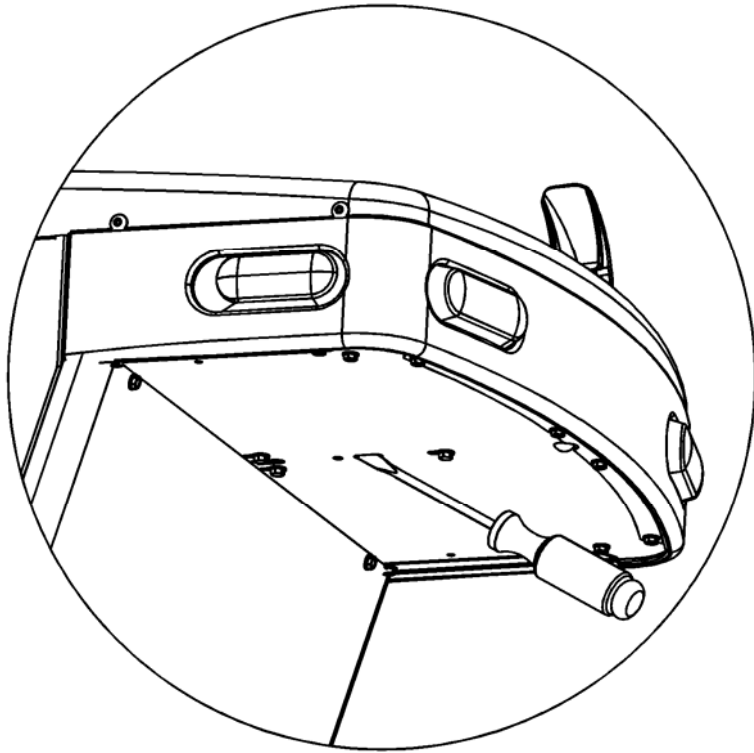
DRAIN CONFIGURATION
RIGHT SIDE LOW

MOUNT DRAINS WITH PROVIDED
 1-1/4" LONG SCREWS



DRAIN CONFIGURATION
RIGHT SIDE HIGH

MOUNT DRAINS WITH PROVIDED
 1-1/4" LONG SCREWS



To adjust stream height, insert a 1/8" Flat blade screwdriver into the slotted hole as shown. The screwdriver will engage the stream height adjuster in the cartridge plunger. Turn clockwise to increase stream height, or ccw to reduce stream height.

032386-048 Rev. A