

MOLDED STONE® SERV-A-SINK®
SINGLE COMPARTMENT LAUNDRY TUBS

Fiat Products uses a specialized SMC process (Molded Stone®) to manufacture all laundry tubs. Moldings are manufactured in matched metal dies under heat and pressure resulting in a one-piece homogeneous molded unit.

- Water capacity is twenty (20) gallons.

FL-7 Floor Mounted Serv-A-Sink®

- Supported by steel painted angle legs that slip into molded retainers and/or sockets for rigid friction fit.
- Legs are supplied with leveling devices.
- 4" (102mm) or 8" (203mm) knockout center set faucet holes which are field drilled.
- Made in the USA

Nominal Dimensions:

Overall Outside Dimensions:

20" x 24" x 33-3/4" (508 x 610 x 838mm)

Inside Compartment dimensions

17-3/4" x 19" x 11-1/4" (508 x 432 x 813mm)

Shipping Weight:

19.5lbs. (8.8 Kg)

L-7 Wall Hung Serv-A-Sink®

- Supported by two mounting brackets of heavy gauge galvanized steel capable of being secured to the wall with mechanical fasteners. (Included).
- Side fillers, which are assembled in the field to the mounting brackets, are made of white molded plastic polymer.
- 4" (102mm) or 8" (203mm) knockout center set faucet holes which are field drilled.
- Made in the USA

Nominal Dimensions:

Overall Outside Dimensions:

20" x 24" x 13-3/8" (508 x 610 x 330mm)

Inside Compartment dimensions

17-3/4" x 20-1/8" x 13-3/8" (508 x 432 x 813mm)

Shipping Weight:

17lbs. (7.7 Kg)

All products are cUPC listed



Shown: FL-7



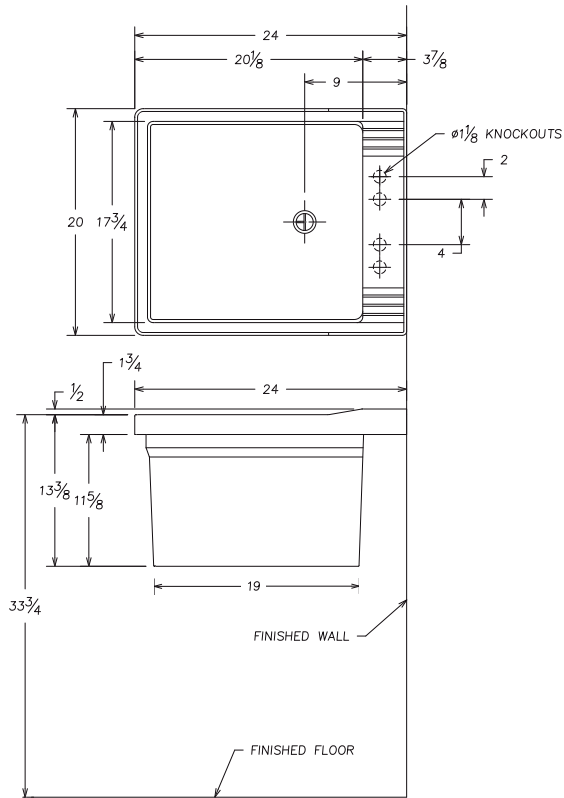
Shown: L7

SEE REVERSE FOR ROUGHING-IN DIMENSIONS

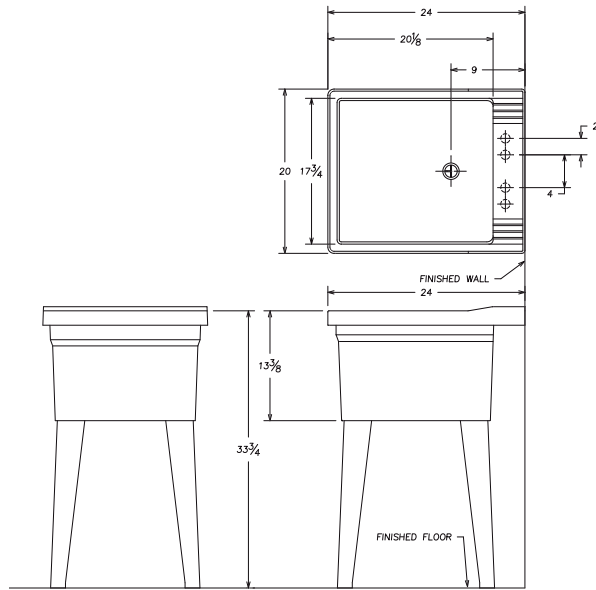
Optional Components

- A1** Deck type faucet - 4" (102mm) center set with 6-3/4" (171mm) spout
- A2** Overflow pipe with "O" ring to fit 1-1/2" strainer.
- A17** Faucet for top supplies. Clamps on with swing spout and angled nose end.

MODEL L-7 WALL HUNG



MODEL FL-7 FLOOR MOUNTED



IMPORTANT: Roughing-in dimensions may vary 1/2" and are subject to change or cancellation without prior notice.