

FIGURE 1

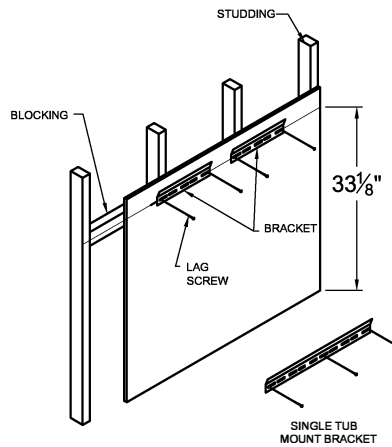
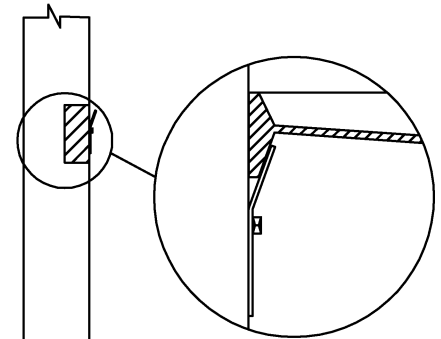


FIGURE 2

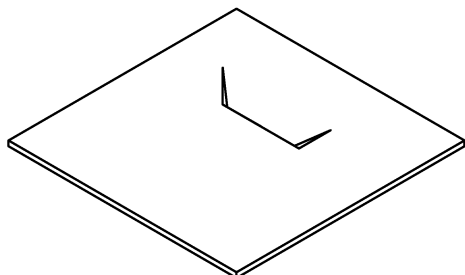


DETAIL C

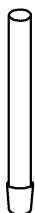
WALL MOUNTING PROCEDURE

1. Drill out plastic filler panel hole on the back of the tub skirt and insert tab (A) into the slot under the rim. Push the anchoring barb (B) into the hole in the tub skirt. Repeat for opposite panel.
NOTE: Each of the filler panels are marked L or R and should be installed accordingly.
2. When mounting tub to a stud wall, install wood blocking to bridge the studs.
3. Single tub units use a single hanger bracket and Double tub units use two hanger brackets. Fasten the mounting bracket(s) to the wall at 33 1/8" up from floor with 1/4" lag screws. Make sure screws drive into studs or blocking. Two screws must be placed in the outermost holes of the bracket to properly attach the tub to the wall.
4. Lift and place sink over wall mounting bracket(s). Make sure tub is seated securely on the lip of the mounting bracket(s). See DETAIL C.

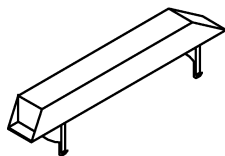
OPTIONAL EQUIPMENT



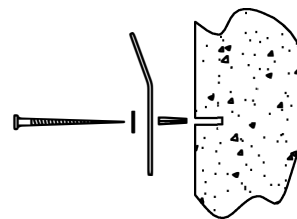
A-6 LAUNDRY TUB COVER



A2 OVERFLOW TUBE



A3 FAUCET ADAPTER
For top supply connection
faucets

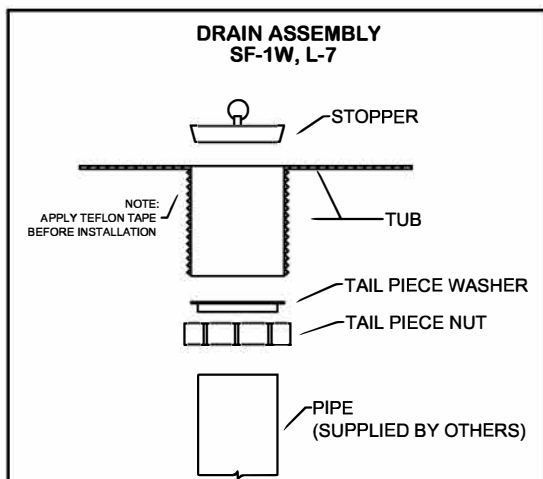


DETAIL D

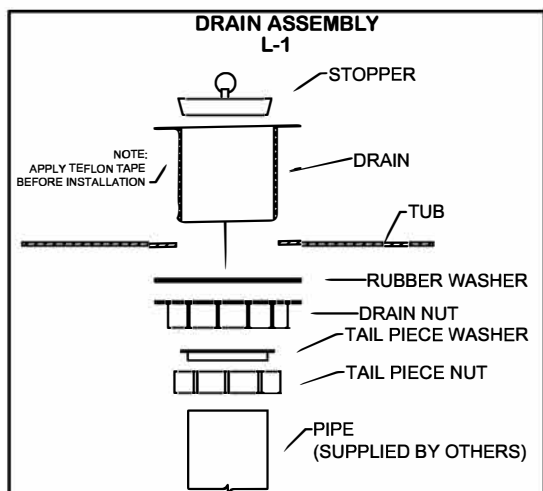
To fasten wall mounting bracket to concrete or cement block wall construction, follow the same procedure for wood stud walls discussed above. Drill holes with a masonry bit and use lead alloy screw anchors with 1/4" lag screws and flat washers.

DRAIN ASSEMBLY & PACKING LISTS

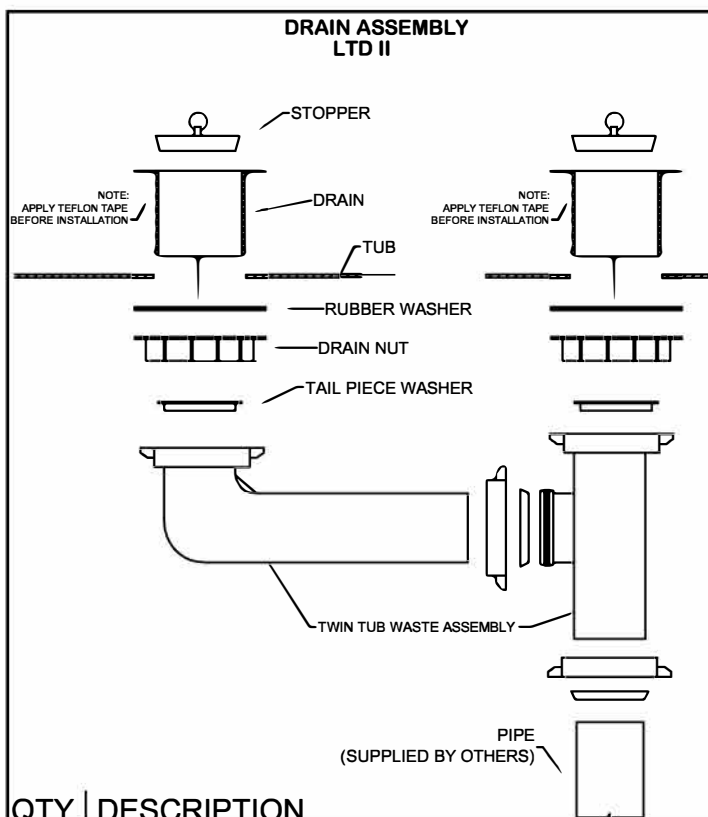
IMPORTANT NOTICE: The Gasket/Washers supplied with the drain assembly should provide adequate water seal. If additional protection is desired, use **ONLY** Teflon Tape. Use of Plumbers Putty may adversely affect the structural integrity of the Drain Assembly and will void the warranty.



| QTY | DESCRIPTION |
|-----|---------------------------------|
| 1 | Laundry Tub |
| 2 | Filler Panels (1 Left, 1 Right) |
| 1 | Metal Hanger Bracket |
| 2 | 1/4" Lag Screws |
| 2 | 1/4" Flat Washers |
| 2 | 1/4" Lead Anchors |
| 1 | Stopper |
| 1 | Tail Piece Washer |
| 1 | Tail Piece Nut |
| 1 | Installation Manual |



| QTY | DESCRIPTION |
|-----|---------------------------------|
| 1 | Laundry Tub |
| 2 | Filler Panels (1 Left, 1 Right) |
| 1 | Metal Hanger Bracket |
| 2 | 1/4" Lag Screws |
| 2 | 1/4" Flat Washers |
| 2 | 1/4" Lead Anchors |
| 1 | Stopper |
| 1 | Tail Piece Washer |
| 1 | Tail Piece Nut |
| 1 | Drain |
| 1 | Rubber Washer |
| 1 | Drain Washer |
| 1 | Installation Manual |



| QTY | DESCRIPTION |
|-----|---------------------------------|
| 1 | Laundry Tub |
| 2 | Filler Panels (1 Left, 1 Right) |
| 2 | Metal Hanger Brackets |
| 4 | 1/4" Lag Screws |
| 4 | 1/4" Flat Washers |
| 4 | 1/4" Lead Anchors |
| 2 | Stoppers |
| 2 | Tail Piece Washers |
| 2 | Tail Piece Nuts |
| 2 | Drains |
| 2 | Rubber Washers |
| 2 | Drain Washers |
| 1 | Waste Pipe Assembly |
| 1 | Installation Manual |

FIAT PRODUCTS
CUSTOMER SERVICE

833-549-2887
www.fiatproducts.com

FIAT
PRODUCTS™
WH TUB INSTRUCTIONS 03/23/10