





# Inline Pressure Boosting System


## Owner's Manual


# Before Getting Started


Read and follow safety instructions. Refer to product data plate(s) for additional operating instructions and specifications.

This is the safety alert symbol. When you see this  symbol on your pump or in this manual, look for one of the following signal words and be alert to the potential for personal injury:

** DANGER** warns about hazards that will cause serious personal injury, death or major property damage if ignored.

** WARNING** warns about hazards that can cause serious personal injury, death or major property damage if ignored.

** CAUTION** warns about hazards that will or can cause minor personal injury or major property damage if ignored.

** NOTICE** indicates special instructions which are important but not related to hazards. Carefully read and follow all safety instructions in this manual and on pump.



## **WARNING**

**RISK OF ELECTRIC SHOCK** - This pump is supplied with a grounding conductor and grounding type attachment plug. To reduce risk of electric shock, be certain that it is connected only to a properly grounded, grounding-type receptacle. Disconnect power before working on or around the Inline system. Do not use the Inline system in swimming areas.

This equipment should be installed by technically qualified personnel. Failure to install it in compliance with national and local electrical codes and within Franklin Electric recommendations may result in electrical shock or fire hazard, unsatisfactory performance, or equipment failure. Installation information is available through pump manufacturers and distributors, or directly from Franklin Electric at our toll-free number 1-800-348-2420.

This equipment must not be used by children or persons with reduced physical, sensory or mental abilities, or lacking in experience and expertise, unless supervised or instructed. Children may not use the equipment, nor may they play with the equipment or in the immediate vicinity.

If the power cord is damaged, it must only be replaced by qualified personnel.

## **CAUTION**

- Keep work area clean, well-lit, and uncluttered.
- Keep safety labels clean and in good condition.
- Wear safety glasses while installing or performing maintenance on pump.
- Do not run pump dry. Fill pump with water before starting or pump will be damaged.
- Make sure all ELECTRICAL POWER IS OFF before connecting any electrical wires. Wire Inline Pressure Boosting System for correct voltage. Follow all pump wiring instructions provided in the "Wiring" section of this manual.

# Table of Contents

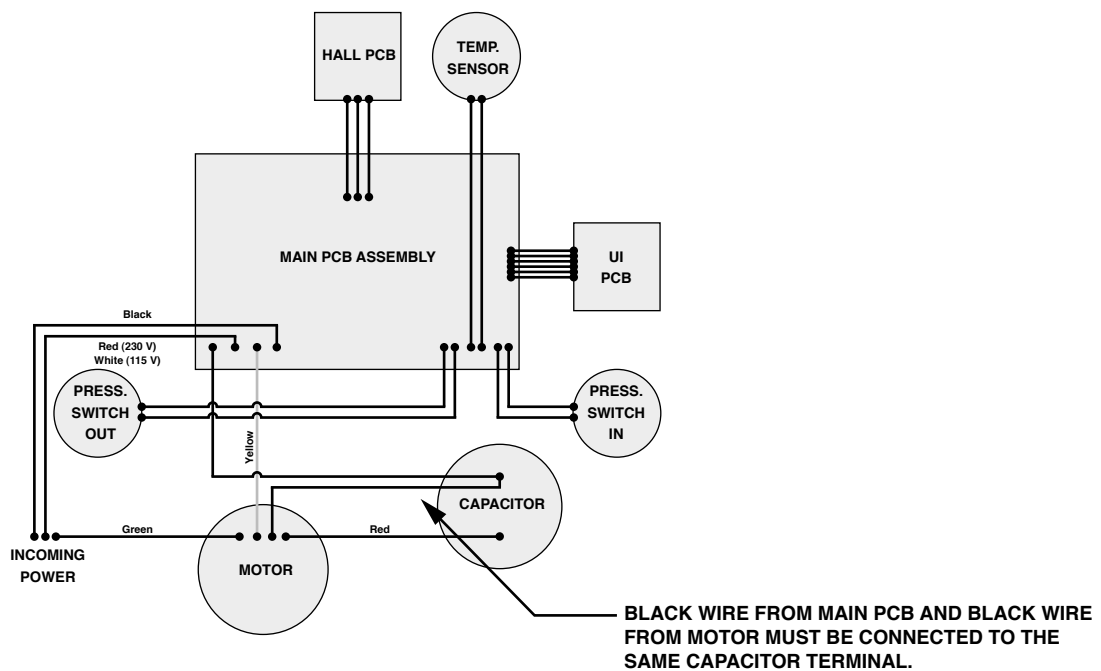
Before Getting Started .....	2
Specifications .....	4
System Components.....	5
In the Box.....	6
Location of Inline Pressure Boosting System .....	7
Installation of the Inline Pressure Boosting System .....	8
Operation of the Inline Pressure Boosting System .....	11
Maintenance of the Inline Pressure Boosting System.....	12
Frequently Asked Questions.....	16
Appendix 1: Inline 400 Pressure Boosting System Performance Curve.....	18
Appendix 2: Friction Loss Tables .....	19
Limited Warranty .....	20

# Inline Pressure Boosting System

## Specifications

	Inline 400	Inline 400	
Model No.	92061501	92061502	
Input from Power Source	Voltage	115 V	230 V
	Phase	Single-Phase	
	Frequency	60 Hz	
	Current (max)	6.6 Amps (RMS)	3.3 Amps (RMS)
	Power (max)	710 W	710 W
	Wire Gauge Size(s)	18 Gauge Power Cord	18 Gauge Power Cord
	Operating Conditions	MAX flow (GPM)	20
MAX boost pressure (psi)		55	
MAX system pressure (psi)		95	
Sound Pressure Level (dB-A)		<55	
Plumbing Connections		1" NPT	
Max Suction Lift (feet)		5	
Drain Plug		1/4" NPT	
Enclosure Type	Indoor Use Only / CSA Enclosure 2		
Unit Size	External Dimensions	29.6" x 8.5" x 8.9"	
	Net Weight (lbs)	35	

## Internal Wiring Diagram



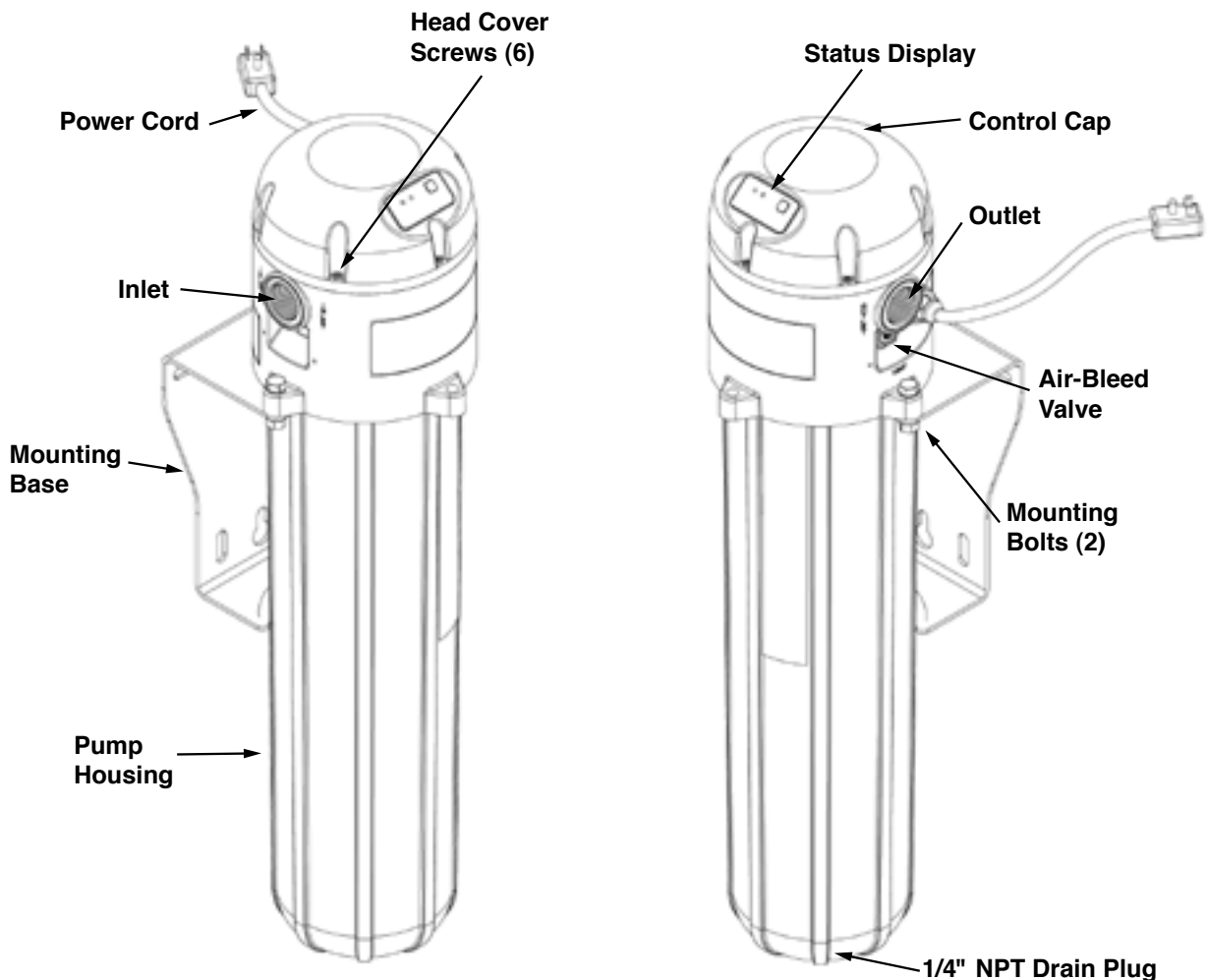
# Inline Pressure Boosting System

## Introduction

The Inline 400 is a simple to use “plug-and-play” water pressure booster system. At the heart of this fully integrated booster system is a trusted Franklin Electric submersible pump and motor. The unit’s control head is equipped with a Hall effect flow sensor, inlet/outlet pressure switches, thermal overload switch, and a durable printed circuit board. Enhanced performance allows versatility in residential applications and allows for easy installation (mounting either vertically or horizontally) while also enabling the system to work with virtually any existing plumbing configuration. Note: The Inline System has a Type 2 enclosure rated for indoor use only.

The Franklin Electric Inline System provides consistent pressure boosting using advanced electronics to drive and control a standard Franklin Electric pump and motor according to the pressure boosting demands of the application.

## System Components



# Inline Pressure Boosting System

## In the Box

- A. Inline Pressure Boosting System
- B. Installation Manual

All Franklin Electric Inline Pressure Boosting Systems are carefully tested, inspected, and packaged to ensure their arrival in perfect condition. When the unit is received, examine it closely to make sure there is no damage that may have occurred in shipping. If damage is evident, report this immediately to your shipping carrier and product dealer. The shipping carrier assumes full responsibility for the shipment's safe arrival. Any claim for damage to the shipment, either visible or concealed, must be made through the shipping carrier first.

## Status Display

### Solid Green

Indicates system is powered and is turned ON, but not currently running. The green solid light will only be present when no faults are active.



### Flashing Green

Indicates the pump is powered, turned ON, and running.

### Solid Red

Indicates the control is powered but currently in the OFF mode. Pressing the button will toggle the unit into the ON mode.



### Flashing Red

Indicates a FAULT has occurred. The unit will automatically attempt to restart. If an immediate restart is needed, the button can be pressed to force a reset if the fault is no longer present. If the problem persists, a qualified water professional should be contacted.

### Button

The button can be used to turn the unit on or off. When the unit is powered but in the OFF mode (solid red light), a press of the button will turn the unit ON. If the unit is powered and in the ON mode (solid green light), a press of the button will shut the unit OFF. The button can also be used to force a reset after a fault.

## Location of Inline Pressure Boosting System

Decide on a location for the pump installation that is suitable based on the enclosure rating of the Inline Pressure Boosting System. Choose a clean, well-ventilated location that provides protection from freezing, flooding, and excessive heat. In addition, it should provide access for servicing and allow convenient draining of the pump housing, tank, and service pipes. A prepared foundation is not essential, provided the surface is hard and level.

**▲ NOTICE** The Inline Pressure Boosting System is designed for indoor use only.

# Inline Pressure Boosting System

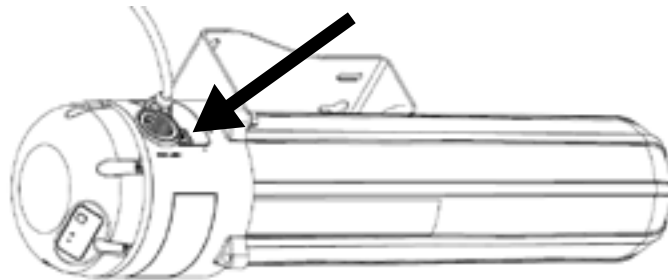
## Mechanical Installation

### Location:

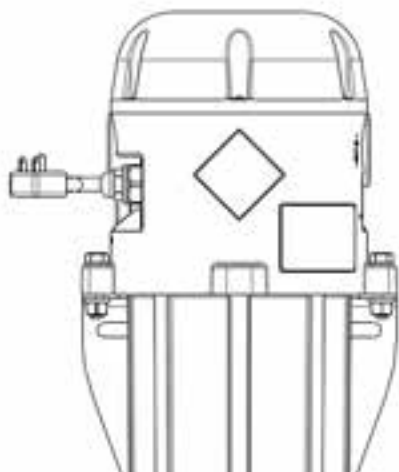
Decide on an appropriate location for the pump installation that is suitable based on the INDOOR enclosure rating of the Inline Pressure Boosting System. Choose a clean, well-ventilated location that provides protection from freezing, flooding, and excessive heat. In addition, it should provide access for servicing and allow convenient draining of the pump housing, pressure tank, and service pipe. (Note: Should the unlikely event of internal leakage occur, install the pump in such a way that no considerable collateral damage can arise.)

### Inline 400 Installation Orientation: (refer to Figure 1 if necessary)

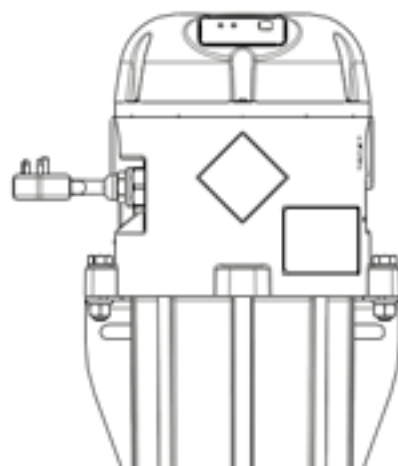
It is preferred (for ease of priming) to install the Inline 400 unit in a VERTICAL orientation. The unit, however, can be installed in the HORIZONTAL position as long as the air-bleed valve is facing upwards.



In VERTICAL installations, the Inline 400 comes standard with the flow direction being from LEFT to RIGHT when mounted vertically on a wall. This flow direction can be easily changed to RIGHT to LEFT by removing the two head mounting bolts, rotating the pump 180 degrees, and re-installing the head mounting bolts. It is then possible to remove the (6) control cap screws and rotate 180 degrees to place the status display in a viewable orientation. (Note: be careful when rotating the control cap as there is an electrical cable attached to the head.)



Rotate the entire pump to change flow direction

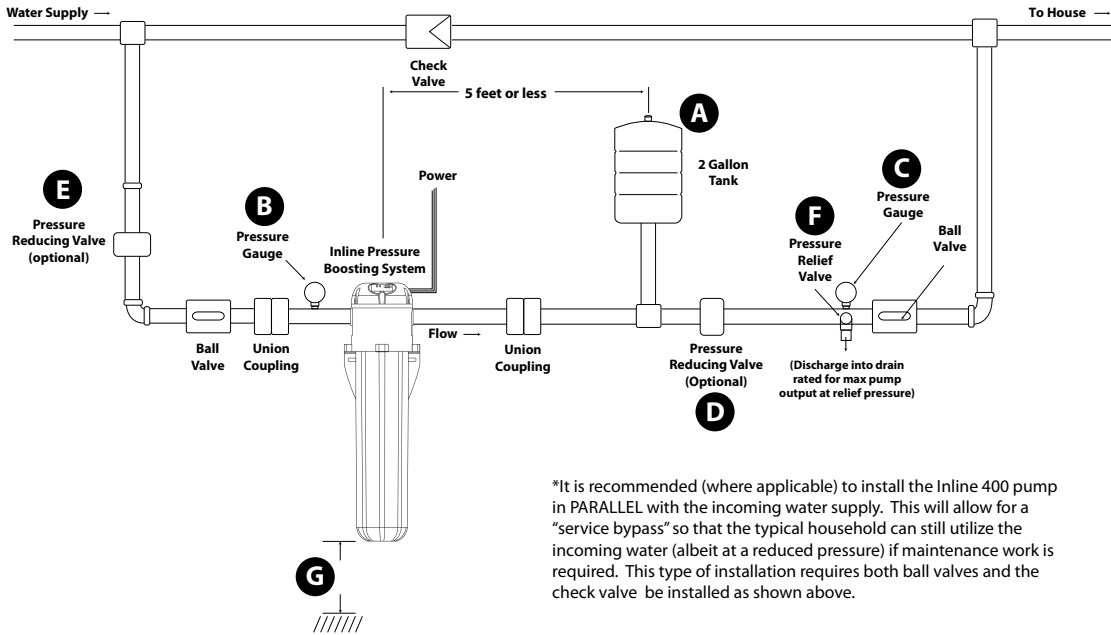


Rotate the control cap to orient status display

# Inline Pressure Boosting System

## Inline 400 Typical Residential Installation:

The Inline Pressure Boosting System is designed to increase a system's usable pressure whenever water is in use. Shown below is a diagram of the "required" and "recommended" components of a typical pressure boosting application.



\*It is recommended (where applicable) to install the Inline 400 pump in PARALLEL with the incoming water supply. This will allow for a "service bypass" so that the typical household can still utilize the incoming water (albeit at a reduced pressure) if maintenance work is required. This type of installation requires both ball valves and the check valve be installed as shown above.

Figure 1

#	System Component	Description
A	Pressure Tank	A bladder-type pressure tank is required (recommend 2 gallon size) for proper control of the Inline 400. See "Frequently Asked Questions" section for more detail. It is important that a check valve NOT be installed between the pump and the pressure tank.
B	INLET Pressure Gauge	An INLET pressure gauge is recommended for the purpose of system set-up, operation, and troubleshooting.
C	OUTLET Pressure Gauge	An OUTLET pressure gauge is recommended for the purpose of system set-up, operation, and troubleshooting.
D	Outlet pressure reducing Valve (PRV)	This Inline 400 will boost a downstream pressure equal to 55 psi + incoming psi. If the discharge plumbing, fixtures, and appliances are not rated for these higher pressures, it is recommended to install a PRV after the pressure tank to limit the max downstream pressure.
E	Inlet pressure reducing Valve (PRV)	This Inline 400 will not function if the incoming water pressure is greater than 40 psi. If the incoming supply is above 40 psi, a PRV may be installed on the inlet.
F	Outlet Pressure Relief Valve	It is recommended to install a pressure relief valve in the discharge plumbing in order to protect the downstream components from abnormal pressure spikes that may occur in certain applications. Make certain the valves discharge is directed towards a drain appropriately sized for the max flow of the pump system or incoming water supply.
G	Mounting Clearance	For ease of service, it is recommended to leave a clearance of 20 inches below the pump (for housing removal only). This can be reduced if the unit is installed with the two plumbing unions shown above. This would make it easy to remove the entire pump from the system for servicing.



# Inline Pressure Boosting System

## **Inline 400 Installation Procedure (Plumbing):**

1. Disconnect relevant electrical power at the main breaker.
2. Close all water supply valves necessary to turn off the incoming water supply. Carefully drain the existing plumbing system of all water.
3. Mount the Inline Pressure Boosting System in the desired location using mounting screws and mounting holes. The mounting screws are not included with the product. The Inline Pressure Boosting System may be installed in a horizontal or vertical orientation but must not be inverted or hung from a horizontal surface.
4. Install inlet and outlet plumbing and pressure tank as shown in Figure 1. The inlet and outlet of the unit is marked with "INLET" and "OUTLET" respectively. Unions should be installed on the suction and discharge ends of the pump (use of PTFE thread sealant tape is recommended over paste, do not overtighten). Internal check valves are provided on both the suction and the discharge ends of the pump. These valves can help in preventing backflow. If the optional bypass loop is used, a check valve should also be installed in the bypass (See Fig. 1). Be sure to check all local plumbing codes to ensure that all requirements pertaining to backflow prevention are met.
5. Install a pressure gauge on both the inlet and outlet pipes. These will be required in order to properly adjust the system as well as aid in system troubleshooting.
6. Install the pressure tank downstream from the pump. The tank should be located within 5' of the discharge of the pump. There should be no control/check valve between the pressure tank and the Inline Pressure Boosting System.
7. Install a pressure relief valve downstream of the check valve. The discharge must be plumbed to a drain rated for maximum pump output at relief pressure settings.

## **WARNING**

The Inline Pressure Boosting System can develop very high pressure in some situations.

Always install a pressure relief valve able to pass full pump flow at 120 psi (6.9 bar). Install the pressure relief valve near the pressure tank.

It might be necessary to install a pressure reducing valve to limit the potential boost. Install the pressure reducing valve after the pressure tank.

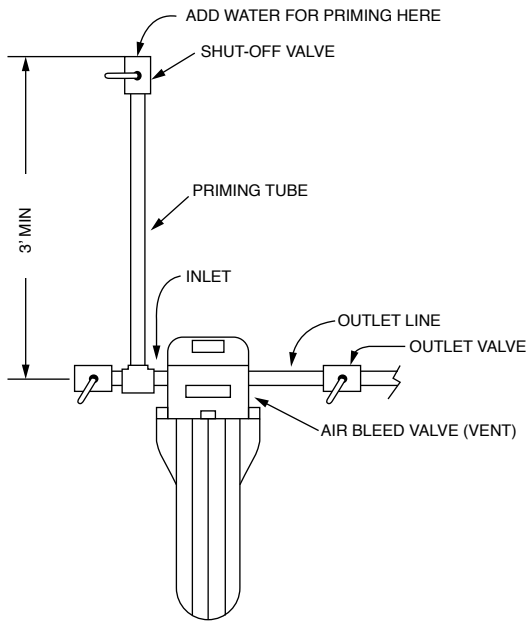
## **Inline 400 Installation Procedure (Electrical):**

1. Employ a licensed electrician to perform the wiring. All wiring must be done in accordance with applicable national and local electrical codes.
2. Disconnect electrical power at the main breaker.
3. Verify that the dedicated branch circuit for the Inline Pressure Boosting System is equipped with a 15 amp circuit breaker.
4. Check that the power supply corresponds with the electrical rating of the Inline Pressure Boosting System being installed. Supply voltage must be +/- 10% of the nameplate voltage.
5. Every installation must be grounded. There must be a reliable ground connection between the pump and the distribution panel.
6. The Inline Pressure Boosting System comes with all internal connections prewired.
7. Unit should be plugged into an outlet that matches that of the unit purchased.

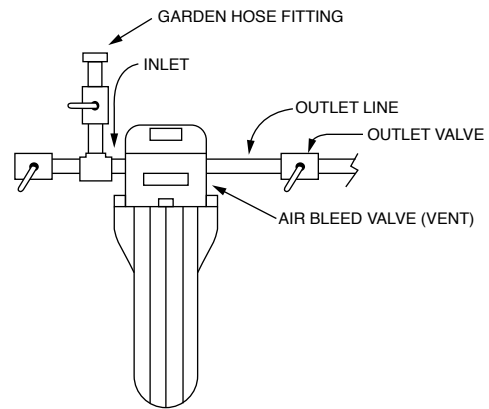
# Inline Pressure Boosting System

## Plumbing Considerations for Priming Purposes:

The Inline 400 needs to be primed with water before it can function properly. There are two internal non-return (check) valves built into the head of the unit that need to open during priming. This requires that the priming water has an incoming pressure of 1.5 psi minimum. This is especially important if the application involves boosting water out of a shallow cistern. There are two simple ways to accomplish this in the suction plumbing.



**PRIMING:** 1.5psi can be achieved on the inlet by pouring water through a 3' vertical water column. Be sure to keep the inlet valve closed and open the air-bleed valve until all air is purged from unit.



**PRIMING:** Adequate inlet pressure/ flow can be achieved on the inlet by connecting a garden hose to a fitting on the inlet side of the pump. Be sure to keep the inlet valve closed, turn on water supply, and open the air-bleed valve until all air is purged from unit.

## Inline 400 Priming:

Never run the pump dry. Fill the suction pipe, pump housing, and discharge piping completely with water. A typical installation will be supplied by either a tank or a pressurized water source, creating what is known as flooded suction condition

With the unit fully plumbed into the system, open the water supply valve and allow pressurized water to flow through the unit. Place a small bucket under the Inline tank to capture water that is expelled from the air-bleed during priming. With a small flathead screwdriver, slowly open the air bleed valve (located directly under the outlet) to allow air to exit the internal pump and tank. When the valve stops sputtering and only a fine stream of water is being expelled, close the air bleed valve. The unit is now primed and ready for operation.

# Inline Pressure Boosting System

## Operating the Inline 400:

All air must be removed from the system. The Inline Pressure Boosting System comes with an air bleed valve installed to assist with evacuating the air.

1. Close all system outlets then open the air bleed valve.
2. Open any inlet valves to allow water supply to enter the pump. Be prepared for air mixed with some water to be discharged through the air bleed valve. It may be handy to have a small bucket to catch the dispersed water.
3. Close air bleed valve once all the air has exited the system (indicated by a small, steady stream of water coming out of the bleed valve.)
4. Once the air has been evacuated from the system, slightly open a system outlet valve. Start the pump by pressing the button. This will put the pump into automatic mode.
5. Immediately begin opening a discharge valve to half open. If, after a few minutes of running, you do not get pressurized water, repeat the priming process as detailed above. Note: If the unit does not prime in 10 seconds, the pump will stop and the RED light will flash on the display. This is due to an UNDERLOAD error condition in which the pump is not yet incurring a load indicating water is being pumped. Simply press the start button again to allow the pump to run for an additional 10 seconds in order to prime. REPEAT this as necessary.
6. Once the pump is operating, fully open the discharge valve and a system outlet, letting the pump operate until the water is running clear. No further priming should be needed unless the pump is drained or there is a leak in the suction plumbing.

Note: **NEVER OPEN THE BLEED WITH THE PUMP ON** as this may allow air to ENTER the pump rather than expel it from the system.

## Effect of System Leaks:

Leaking water systems may cause the Inline Pressure Boosting System to cycle more than expected. This is due to the unit turning on when the outlet pressure drops below the preset discharge pressure (factory-set at 40 psi). Continuous running or a high number of starts and stops will not hurt the controller, pump, or motor. The issue should still be fixed, if possible, to eliminate an increase in power usage of the system.

## Adjusting/Fine-Tuning Inline 400 Performance:

When installed properly with an external pressure tank (2-gallon size recommended), it is possible to adjust the pump CUT-IN pressure of the Inline 400 unit.

**⚠ WARNING** Disconnect power to the unit before attempting to remove the control cap and adjust the discharge pressure switch.

The Inline 400 pump is factory-set to start boosting (turn pump ON) when the discharge pressure drops below 40 psi. In certain applications, it may be desirable to adjust this setting to be higher or lower. See the example below:

In this example, a home is supplied with pressurized water from the local municipality that fluctuates between 30 psi MAX and 25 psi MIN. As stated earlier, the Inline 400 will add 55 psi to the incoming water pressure.

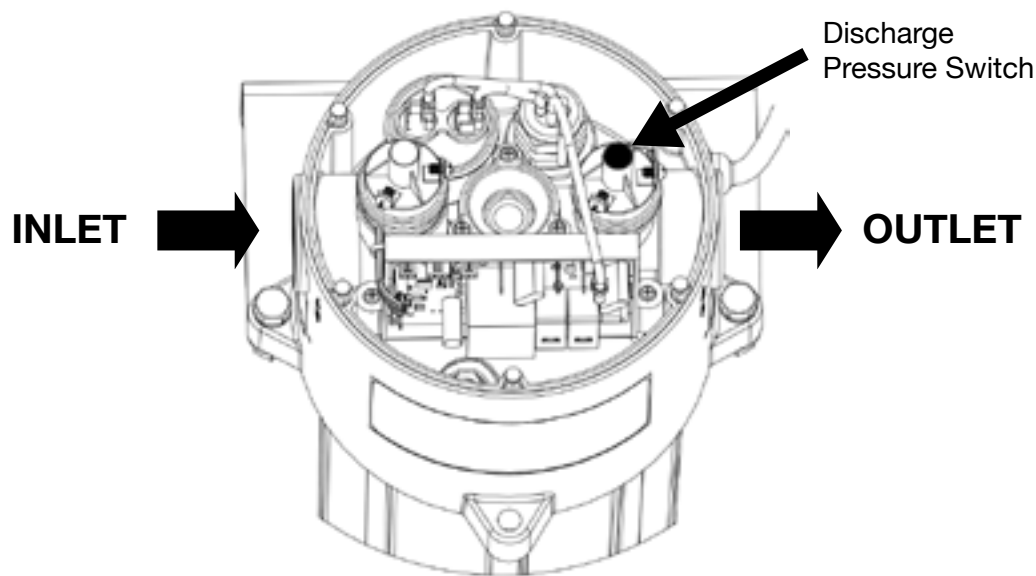
MAX Total Downstream Pressure is 30 psi + 55 psi = 85 psi  
MIN Total Downstream Pressure is 25 psi + 55 psi = 80 psi

## Inline Pressure Boosting System

This condition will result in a pressure drop from 80 or 85 psi down to 40 psi before the pump initially turns ON (this DROP is due to the stored water being discharged from the pressure tank). If the installer desires to change this from a 80 psi-40 psi drop to a 80psi-50psi drop, the discharge pressure switch can be adjusted to turn the pump ON when the discharge pressure reaches 50psi. Follow these steps:

1. Disconnect the unit from incoming power.
2. Remove the (6) control cap screws and remove the cap (note: be careful when removing the control cap as there is an electrical cable attached to the head.)
3. Using a 7/32" hex wrench, turn the internal discharge pressure switch screw clockwise one-full turn. This should raise the switch cutoff by 10-12 psi.
4. Replace the control cap and re-install (6) screws.
5. Adjust pressure tank to 48 psi (always 2 psi lower than cut-in pressure)

**Note:** NEVER adjust the discharge pressure switch to a setting HIGHER than the SUM of your minimum incoming pressure + 40 psi as doing so may result in a fault (flashing RED).



### Maintenance of the Inline 400:

#### **⚠ WARNING**

Disconnect power to the unit before attempting to perform these maintenance functions. All maintenance functions should be performed by a qualified service professional.

#### **Draining the System:**

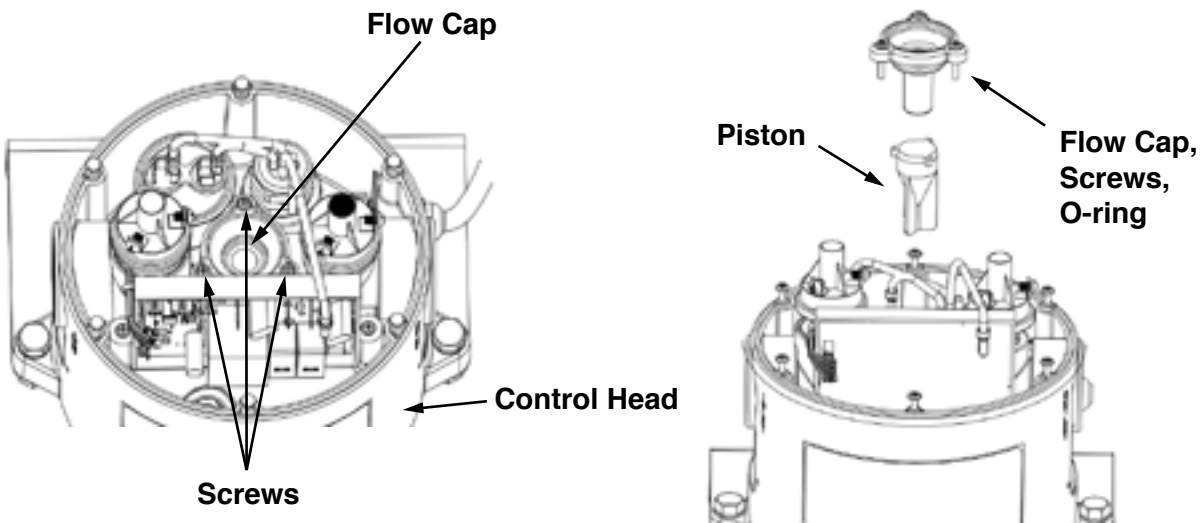
Disconnecting the pump will not necessarily drain all other parts of the piping system. If there are any concerns with the proper procedure or necessity of draining the suction plumbing, contact a water systems professional. All Inline systems, piping, and water tanks exposed to freezing weather should be drained when appropriate. There is a drain plug on the bottom of the unit that may be used to drain the disabled system. If there are any concerns with the proper procedure to drain the system's pressure tank, contact the tank manufacturer for assistance.

# Inline Pressure Boosting System

## Cleaning the Flow Switch:

In some cases the flow switch may become clogged with mineral deposits or plugged with debris. In those cases the switch may be cleaned by the following steps:

1. Disconnect the unit from incoming power.
2. The system may be under pressure. As such, close both the inlet and outlet valves and drain all pressurized water from the system prior to performing maintenance on the flow switch.
3. Remove the (6) control cap screws and remove the cap (note: be careful when removing the control cap as there is an electrical cable attached to the head.)
4. Remove the three Phillips screws that hold the flow cap in place.
5. Remove the flow control cap. The O-ring may come off with the cap or may remain in the head. Remove the O-ring and make sure it is free of debris. Place it back on the bottom of the flow cap.
6. Use a small metal object, such as a screwdriver or nut driver, to retrieve the magnetic flow control piston from the cavity. (It is magnetic and will stick to the metal object)
7. Clean the magnetic flow control piston with a cloth.
8. Clean any debris or residue from the head where the piston is inserted.
9. Replace the Piston into the head. Press the flow cap w/O-ring firmly into the head. Tighten the (3) screws to 15 inch-lbs torque (do not overtighten)
10. Replace the control cap and tighten (6) screws to 15 inch-lbs torque.
11. Re-calibrate control head (See page 14)



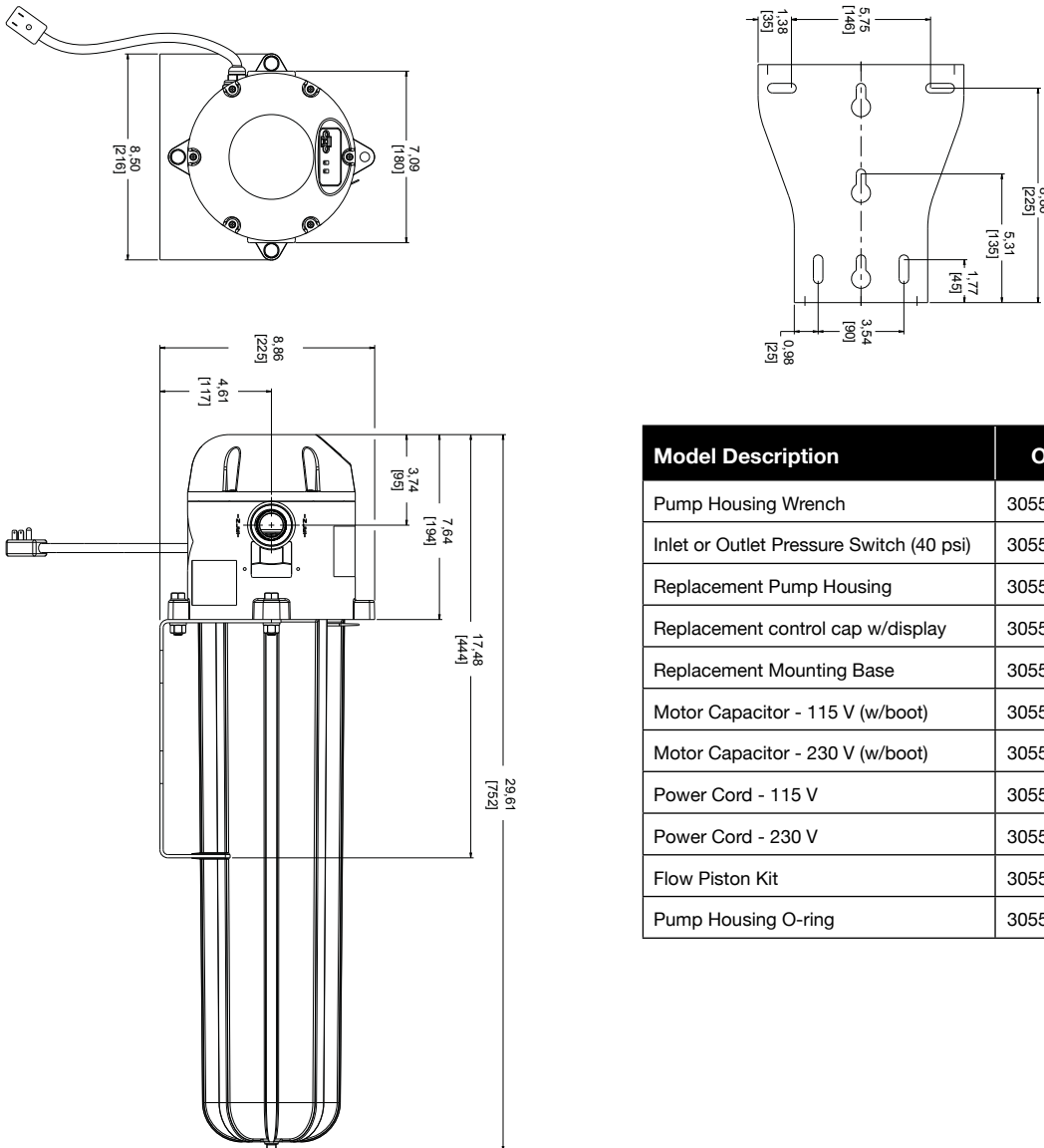
# Inline Pressure Boosting System

## Re-calibration of Control Head:

There are times, especially after servicing, that the Inline 400 needs to be re-calibrated. This is necessary in order to re-establish a reference point for the indication of flow. Follow these procedures for Field Flow Calibration:

1. Before powering the unit on, verify there is no water flowing in the system. This will ensure that the flow piston is in the fully seated (zero flow) position.
2. While holding down the push button on the status display, plug the unit's power cord into the receptacle (or switch on breaker if hard-wired). Continue holding down the button for five seconds until both the green and red LEDs blink, indicating calibration is complete. Release the button and the red LED should come on solid, indicating calibration was successful.
3. Open valves/taps to begin water flow and confirm unit is operating properly.

## Outline Dimensions for Inline 400:



Model Description	Order No.
Pump Housing Wrench	305572001
Inlet or Outlet Pressure Switch (40 psi)	305572007
Replacement Pump Housing	305572009
Replacement control cap w/display	305572010
Replacement Mounting Base	305572011
Motor Capacitor - 115 V (w/boot)	305572012
Motor Capacitor - 230 V (w/boot)	305572013
Power Cord - 115 V	305572014
Power Cord - 230 V	305572015
Flow Piston Kit	305572016
Pump Housing O-ring	305572017

# Inline Pressure Boosting System

## Inline 400 Troubleshooting Guide

Condition	Indicator Lights	Possible Cause	Corrective Action
Unit will not turn on - No GREEN or RED LED illuminated on control cap	None	Circuit breaker tripped or turned off	Turn on the circuit breaker
	None	Circuit breaker tripped or turned off	Consult a licensed electrician to properly wire outlet
Unit runs briefly, won't develop pressure, then turns off	Flashing Green (10s) then flashing RED	Insufficient water	Check water supply and valving
	Flashing Green (10s) then flashing RED	Unit insufficiently primed	Refer to owner's manual section on proper priming technique
	Flashing Green (10s) then flashing RED	Dry running	Check water supply and valving
Unit won't start with water demand	Solid Green	Inlet water pressure above 40psi	Install a pressure reducing valve on inlet to reduce inlet pressure
Unit continuously cycles ON/OFF (Rapid Cycle)	Flashing Green	Improper charge pressure in tank	Set the pressure in pressure tank to 2 psi lower than cut-in pressure
	Flashing Green	Check valve between tank and unit	Place check valve after pressure tank
Unit won't turn on	Solid RED	Unit is turned OFF	Press the power button on the user interface
	Flashing RED	Overvoltage (input voltage higher than +10%)	Check the supply voltage and correct if possible
	Flashing RED	Undervoltage (input voltage lower than -10%)	Check the supply voltage and correct if possible
	Flashing RED	Overheating due to excessive water temperature	Supply cold water to the pump
	Flashing RED	Pump is in alarm condition	Reset pump by pressing power button
Unit runs or cycles continuously	Flashing Green	Leak/usage above 1/2gpm in system plumbing	Repair the leaking plumbing
	Flashing Green	Internal non-return valve is blocked/damaged	Place a new non-return valve before unit in INLET plumbing
	Flashing Green	Internal flow piston is stuck open	Clean the flow piston (see page 14)

**Note:** The motor in this unit contains thermal protection that responds to motor current and heat from the motor winding and ambient temperature. When the combination of current and heat exceeds a pre-determined point, the protector opens and interrupts the circuit. When the winding temperature returns to a more normal level, the protector will automatically reset.

# Inline Pressure Boosting System

## Frequently Asked Questions

### **What causes the Inline to start boosting?**

The Inline is equipped with a flow sensor and dual pressure switches. It will turn on when the:

- Discharge pressure drops below 40 psi or
- Discharge pressure becomes equal to the inlet pressure

This starting logic allows for the pressure tank to fully discharge before turning the Inline system unit ON. This will minimize power consumption and increase product life by accommodating small intermittent water usage or leakage.

### **What causes the Inline System to stop boosting?**

The Inline system stops boosting when the demand for water drops below the ½ gallon-per-minute flow rate (pump will turn off in 10 seconds after the flow stops). The unit can also be manually shut down during normal operation by pressing the button on the cap of the unit.

### **What internal system protection does the Inline offer?**

The Inline system monitors several different functions in order to protect the unit should any of the following conditions occur during normal operation:

- Over Voltage (+10% of rated)
- Under Voltage (-10% of rated)
- Dry Run (i.e. motor is running but no pressure is being developed)
- Overheat (greater than 120 °F internal water temperature)

These are also Inline 400 faults which are indicated by a red blinking light on the control cap.

### **What is the purpose of the pressure tank?**

The pressure tank serves two purposes:

1. It allows for small volumes of water to be used without starting the Inline.
2. It adds a pressure buffer to the system in order to absorb undesired pressure spikes or fluctuations.

It is recommended that the tank be charged to 38 psi when installed.

### **What is the maximum inlet pressure?**

The maximum internal pressure rating of the Inline is 100 psi. Therefore, the maximum inlet pressure when added to the maximum Inline pump pressure (see performance chart) must not exceed 100 psi. The Inline unit incorporates an internal pressure switch that will not allow the unit to turn ON if the inlet pressure exceeds 40 psi either before or during desired operation.

Example: If you wish to use this booster in an application with 45 psi incoming, it is recommended to install a pressure reducing Valve (PRV) on the inlet side of the unit. The PRV would be used to maintain a constant pressure below the cut-in pressure and could be used to limit the maximum pressure created.



# Inline Pressure Boosting System

## **What is the maximum output pressure?**

The Inline will maintain a “NO-FLOW” system pressure equal to the incoming pressure (psi) plus the shut-off pressure from the pump operating curve. For example, if the input pressure is 38 psi, at shut off the system will boost an additional 55 psi. This means ALL plumbing downstream of the Inline would be subject to maintaining 93 psi (38 + 55). If this high pressure is undesirable due to the condition and/or configuration of the existing plumbing or appliances, installing a PRV on the discharge of the Inline is recommended to limit the maximum distributed pressure.

## **What is the maximum operating temperature of the Inline?**

The Inline is equipped with two temperature sensors. One is installed integral to the motor to protect the motor windings. The other is installed in the control head and senses the internal temperature of the water. In both cases, the unit will fault at a max temp of 120 °F and turn back on when the temperature drops below 95 °F.

## **Do I have to install the Inline vertically?**

The Inline can be installed horizontally as long as the discharge port is directed upwards. This orientation places the air bleed valve in the upward position, allowing it to function properly during the initial priming of the pump.

## **How do I prime the Inline system?**

The Inline will need to be properly primed before initial operation (before unit is plugged in). Because there are two spring-loaded check valves integrated into the Inline head, a small amount (1.5 psi) of positive water pressure is needed to open these valves and properly prime the unit.

With the unit fully plumbed into the system, open the water supply valve and allow pressurized water to flow through the unit. You will probably want to place a small bucket under the Inline tank to capture water that is expelled from the unit during priming. With a small flathead screwdriver, slowly open the air bleed valve (located directly under the outlet) to allow air to exit the internal pump and tank. When the valve stops sputtering and only a fine stream of water is being expelled, close the air bleed valve. The unit is now primed and ready for operation.

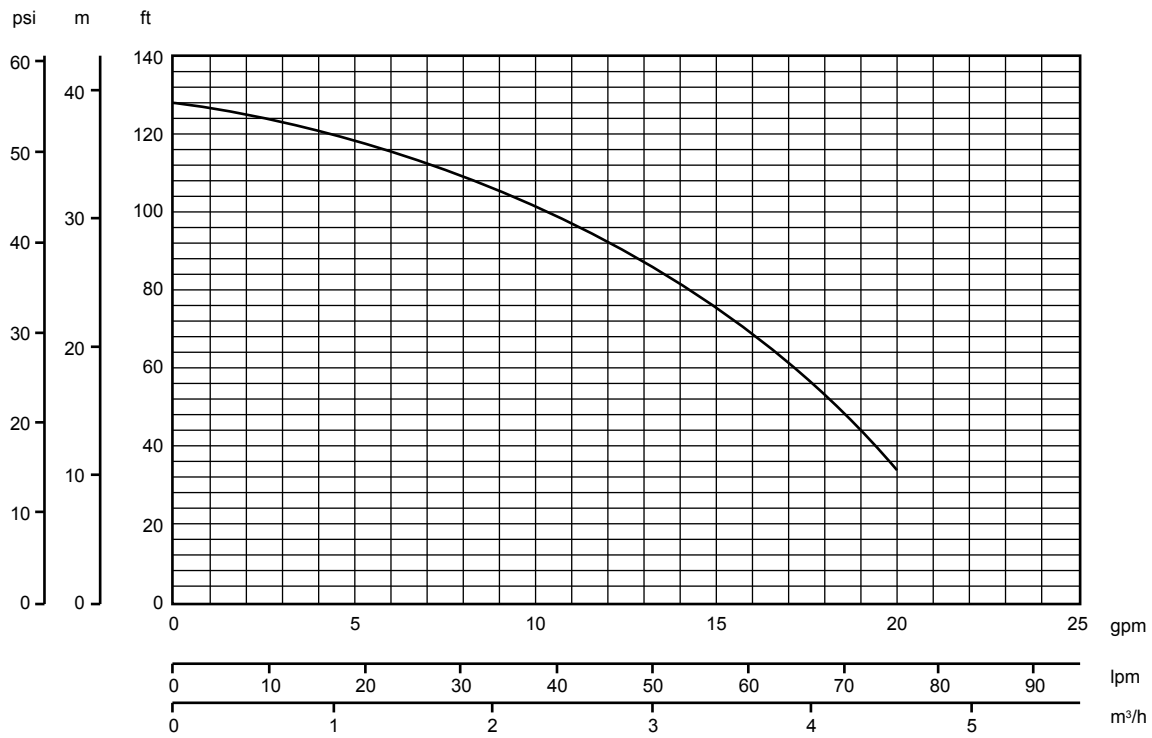
***Notice: Do not open the air bleed valve when the pump is running.***

## **Can the Inline system be used in suction-lift applications?**

It is not recommended to use the Inline in suction lift applications greater than five feet lift. A secondary pressurized water source (i.e. hose from municipality or 3' riser pipe) may be required in order to provide adequate pressurized priming as described above.

# Inline Pressure Boosting System

## Appendix 1: Inline Pressure Boosting System Performance Curve



# Inline Pressure Boosting System

## Appendix 2: Friction Loss Tables

### 3/4" Pipe

Flow GPM	Velocity Ft / S	Friction Loss Ft Hd / 100'		Velocity Ft / S	Friction Loss Ft Hd / 100'
		Steel (C = 100)	PVC (C = 140)		Copper (C = 130)
2	1.20	1.93	1.03	1.33	1.50
3	1.80	4.09	2.19	1.99	3.18
4	2.41	6.96	3.73	2.65	5.42
5	3.01	10.53	5.64	3.31	8.20
6	3.61	14.75	7.91	3.98	11.49
7	4.21	19.63	10.53	4.64	15.29
8	4.81	25.13	13.48	5.30	19.57
9	5.41	31.26	16.76	5.97	24.35
10	6.02	38.00	20.38	6.63	29.59

### 1" Pipe

Flow GPM	Velocity Ft / S	Friction Loss Ft Hd / 100'		Velocity Ft / S	Friction Loss Ft Hd / 100'
		Steel (C = 100)	PVC (C = 140)		Copper (C = 130)
2	0.74	0.60	0.32	0.78	0.41
4	1.48	2.15	1.15	1.56	1.48
6	2.23	4.56	2.44	2.33	3.14
8	2.97	7.76	4.16	3.11	5.35
10	3.71	11.74	6.29	3.89	8.08
12	4.45	16.45	8.82	4.67	11.33
14	5.20	21.89	11.74	5.44	15.07
16	5.94	28.03	15.03	6.22	19.30
18	6.68	34.86	18.70	7.00	24.00

### 1 1/4" Pipe

Flow GPM	Velocity Ft / S	Friction Loss Ft Hd / 100'		Velocity Ft / S	Friction Loss Ft Hd / 100'
		Steel (C = 100)	PVC (C = 140)		Copper (C = 130)
4	0.86	0.57	0.30	1.02	0.53
6	1.29	1.20	0.64	1.53	1.13
8	1.72	2.04	1.10	2.04	1.92
10	2.15	3.09	1.66	2.55	2.90
12	2.57	4.33	2.32	3.06	4.07
14	3.00	5.76	3.09	3.57	5.41
16	3.43	7.38	3.96	4.08	6.93
18	3.86	9.18	4.92	4.59	8.62
20	4.29	11.16	5.98	5.11	10.48
25	5.36	16.87	9.05	6.38	15.85

Note: Charts show friction loss per 100' of pipe. To convert to friction loss per foot, move decimal point two places to the left.

## LIMITED WARRANTY\*

### **THIS WARRANTY SETS FORTH THE COMPANY'S SOLE OBLIGATION AND PURCHASER'S EXCLUSIVE REMEDY FOR DEFECTIVE PRODUCT.**

Franklin Electric Company, Inc. and its subsidiaries (hereafter "the Company") warrants that the products accompanied by this warranty are free from defects in material or workmanship of the Company.

The Company has the right to inspect any product returned under warranty to confirm that the product contains a defect in material or workmanship. The Company shall have the sole right to choose whether to repair or replace defective equipment, parts, or components.

The buyer must return the product to an authorized Franklin Electric Distribution outlet for warranty consideration. Returns to the place of purchase will only be considered for warranty coverage if the place of purchase is an authorized Franklin Electric Distributor at the time the claim is made. Subject to the terms and conditions listed below, the Company will repair or replace to the buyer any portion of this product which proves defective due to materials or workmanship of the Company.

The Company will consider products for warranty for 12 months from the date of installation or for 24 months from the date of manufacture, whichever occurs first.

The Company shall IN NO EVENT be responsible or liable for the cost of field labor or other charges incurred by any customer in removing and/or affixing any product, part or component thereof.

The Company reserves the right to change or improve its products or any portions thereof without being obligated to provide such change or improvement to previously sold products.

THIS WARRANTY DOES NOT APPLY TO products damaged by acts of God, including lightning, normal wear and tear, normal maintenance services and the parts used in connection with such service, or any other conditions beyond the control of the Company.

THIS WARRANTY WILL IMMEDIATELY VOID if any of the following conditions are found:

1. Product is used for purposes other than those for which it was designed and manufactured;
2. Product was not installed in accordance with applicable codes, ordinances and good trade practices;
3. Product was not installed by a Franklin Certified Contractor; or
4. Product was damaged as a result of negligence, abuse, accident, misapplication, tampering, alteration, improper installation, operation, maintenance or storage, nor to an excess of recommended maximums as set forth in the product instructions.

NEITHER SELLER NOR THE COMPANY SHALL BE LIABLE FOR ANY INJURY, LOSS OR DAMAGE, DIRECT, INCIDENTAL OR CONSEQUENTIAL (INCLUDING, BUT NOT LIMITED TO, INCIDENTAL OR CONSEQUENTIAL DAMAGES FOR LOST PROFITS, LOST SALES, INJURY TO PERSON OR PROPERTY, OR ANY OTHER INCIDENTAL OR CONSEQUENTIAL LOSS), ARISING OUT OF THE USE OR THE INABILITY TO USE THE PRODUCT, AND THE BUYER AGREES THAT NO OTHER REMEDY SHALL BE AVAILABLE TO IT.

THE WARRANTY AND REMEDY DESCRIBED IN THIS LIMITED WARRANTY IS AN EXCLUSIVE WARRANTY AND REMEDY AND IS IN LIEU OF ANY OTHER WARRANTY OR REMEDY, EXPRESS OR IMPLIED, WHICH OTHER WARRANTIES AND REMEDIES ARE HEREBY EXPRESSLY EXCLUDED, INCLUDING BUT NOT LIMITED TO ANY IMPLIED WARRANTY OF MERCHANTABILITY OR FITNESS FOR A PARTICULAR PURPOSE, TO THE EXTENT EITHER APPLIES TO A PRODUCT SHALL BE LIMITED IN DURATION TO THE PERIODS OF THE EXPRESSED WARRANTIES GIVEN ABOVE.

DISCLAIMER: Any oral statements about the product made by the seller, the Company, the representatives or any other parties, do not constitute warranties, shall not be relied upon by the buyer, and are not part of the contract for sale. Seller's and the Company's only obligation, and buyer's only remedy, shall be the replacement and/or repair by the Company of the product as described above. Before using, the user shall determine the suitability of the product for his intended use, and user assumes all risk and liability whatsoever in connection therewith.

Some states and countries do not allow the exclusion or limitations on how long an implied warranty lasts or the exclusion or limitation of incidental or consequential damages, so the above exclusion or limitations may not apply to you. This warranty gives you specific legal rights, and you may also have other rights which vary from state to state and country to country.

Franklin Electric, in its sole discretion, may update this limited warranty from time to time. Any conflicting information relating to warranty procedures, whether in a user manual or otherwise, is hereby superseded by this document. Nonetheless, all references to the term, or length of a warranty term, will remain consistent with the warranty in place at the time of purchase.

\*Contact Franklin Electric Co., Inc. Export Division for International Warranty.

**NoteS:**

**NoteS:**

**NoteS:**



Form 106935101  
Rev. 2  
07.15



**Franklin Electric**  
9255 Coverdale Road, Fort Wayne, IN 46809  
Tel: 260.824.2900 Fax: 260.824.2909 [www.franklinwater.com](http://www.franklinwater.com)






**Sistema de  
presurización Inline**  
**Manual del usuario**

# Antes de empezar

Lea y siga las instrucciones de seguridad. Vea las placas de datos del producto para obtener instrucciones de operación y especificaciones adicionales.

Este es un símbolo de alerta de seguridad. Cuando vea este símbolo  su bomba o en este manual, busque alguna de las siguientes palabras de señalización y esté alerta a la posibilidad de lesiones personales:

**⚠ PELIGRO** Este símbolo advierte sobre peligros que ocasionarán lesiones personales graves, muerte o daños mayores a la propiedad si son ignorados.

**⚠ ADVERTENCIA** Este símbolo advierte sobre peligros que pueden ocasionar lesiones personales graves, muerte o daños mayores a la propiedad si son ignorados.

**⚠ PRECAUCIÓN** Este símbolo advierte sobre peligros que ocasionarán o podrán ocasionar lesiones personales menores o daños mayores a la propiedad si son ignorados.

**⚠ AVISO** indica instrucciones especiales que son importantes pero no están relacionadas a los peligros. Lea cuidadosamente y cumpla todas las instrucciones de seguridad en este manual y en la bomba.



## ⚠ ADVERTENCIA

**RIESGO DE DESCARGA ELÉCTRICA** - Esta bomba viene equipada con un conductor a tierra y un enchufe del tipo con conexión a tierra. Para reducir el riesgo de descarga eléctrica, asegúrese que se conecte solo a un receptáculo del tipo con conexión a tierra que esté conectado apropiadamente a tierra. Desconecte la alimentación antes de trabajar en el sistema Inline o cerca de él. No use el sistema Inline en áreas donde se practique natación.

Este equipo debe ser instalado por personal técnicamente calificado. El incumplimiento de las regulaciones locales y nacionales, así como de las recomendaciones de Franklin Electric, puede resultar en descargas eléctricas, riesgo de incendio, desempeño insatisfactorio o fallas en el equipo. Puede obtener la información para la instalación de los fabricantes o distribuidores de la bomba, o llamando directamente a Franklin Electric a nuestra línea gratuita, 1-800-348-2420.

Los niños o personas con habilidades físicas, sensoriales o mentales reducidas o sin experiencia, no deben usar este equipo a menos que estén supervisados o se les den instrucciones. Los niños no deben usar el equipo y no deben jugar con el equipo o en sus cercanías.

Si el cable de alimentación está dañado, solo debe ser reemplazado por personal calificado.

## ⚠ PRECAUCIÓN

- Mantenga limpia, bien iluminada y despejada el área de trabajo.
- Mantenga las etiquetas de seguridad limpias y en buenas condiciones.
- Use gafas de seguridad mientras está instalando o dando mantenimiento a la bomba.
- No opere la bomba en seco. Llene la bomba con agua antes de arrancarla o se dañará la bomba.
- Asegúrese de que toda la ALIMENTACIÓN ELÉCTRICA ESTÁ APAGADA antes de conectar cualquier cable eléctrico. Cablear el Sistema de presurización Inline al voltaje correcto. Siga todas las instrucciones de cableado de la bomba que se proporcionan en la sección "Cableado" de este manual.

# Índice

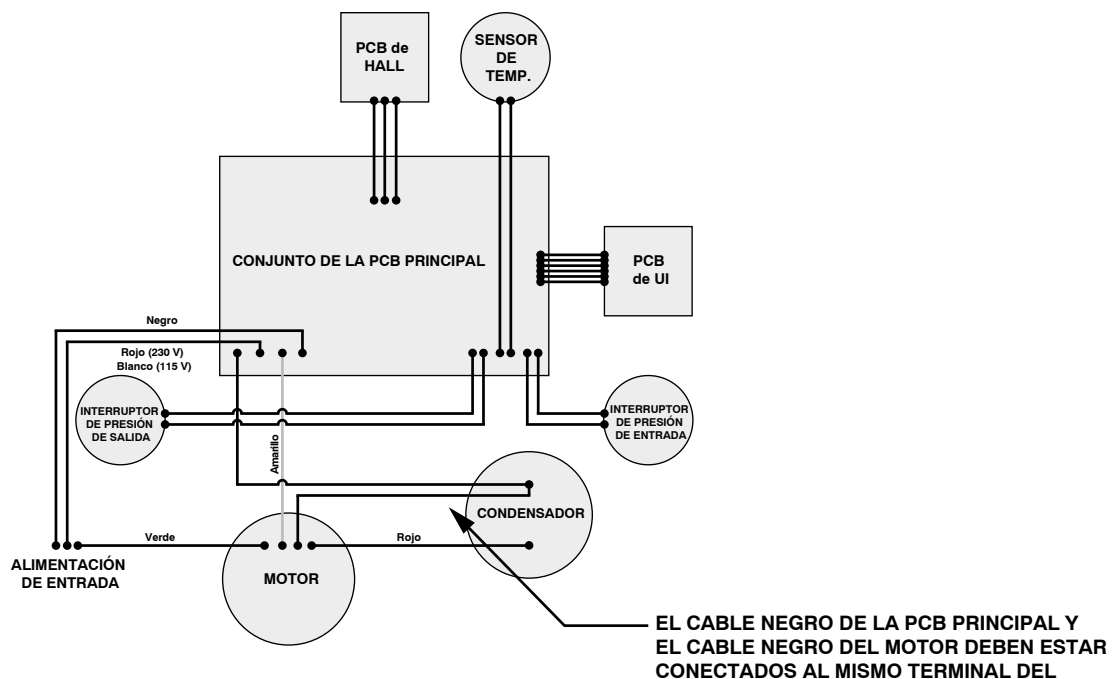
Antes de empezar .....	2
Especificaciones .....	4
Componentes del sistema .....	5
En la caja .....	6
Ubicación del sistema de presurización Inline .....	7
Instalación del sistema de presurización Inline .....	8
Funcionamiento del sistema de presurización Inline .....	11
Mantenimiento del sistema de presurización Inline .....	12
Preguntas frecuentes .....	16
Apéndice 1: Curva de desempeño del sistema de presurización Inline 400 .....	18
Apéndice 2: Tablas de pérdida por fricción .....	19
Garantía limitada .....	20

# Sistema de presurización Inline

## Especificaciones

	Inline 400	Inline 400
No. de modelo	92061501	92061502
Entrada de alimentación eléctrica	Voltaje	115 V
	Fase	Monofásico
	Frecuencia	60 Hz
	Corriente (máxima)	6.6 Amperes (RMS)
	Potencia (máxima)	710 W
	Calibre(s) del cable	Cable de alimentación calibre 18
	Calibre(s) del cable	Cable de alimentación calibre 18
Condiciones de operación	Flujo máximo (GPM)	20
	Presurización máxima (psi)	55
	Presión máxima del sistema (psi)	95
	Nivel de presión sonora (dB-A)	<55
	Conexiones de tubería	1" NPT
	Elevación de succión máxima (pies)	5
	Tapón de drenado	1/4" NPT
Tipo de gabinete	Solo para uso en interiores / Gabinete CSA 2	
Tamaño de la unidad	Dimensiones externas	29.6" x 8.5" x 8.9"
	Peso neto (lb)	35

## Diagrama de cableado interno



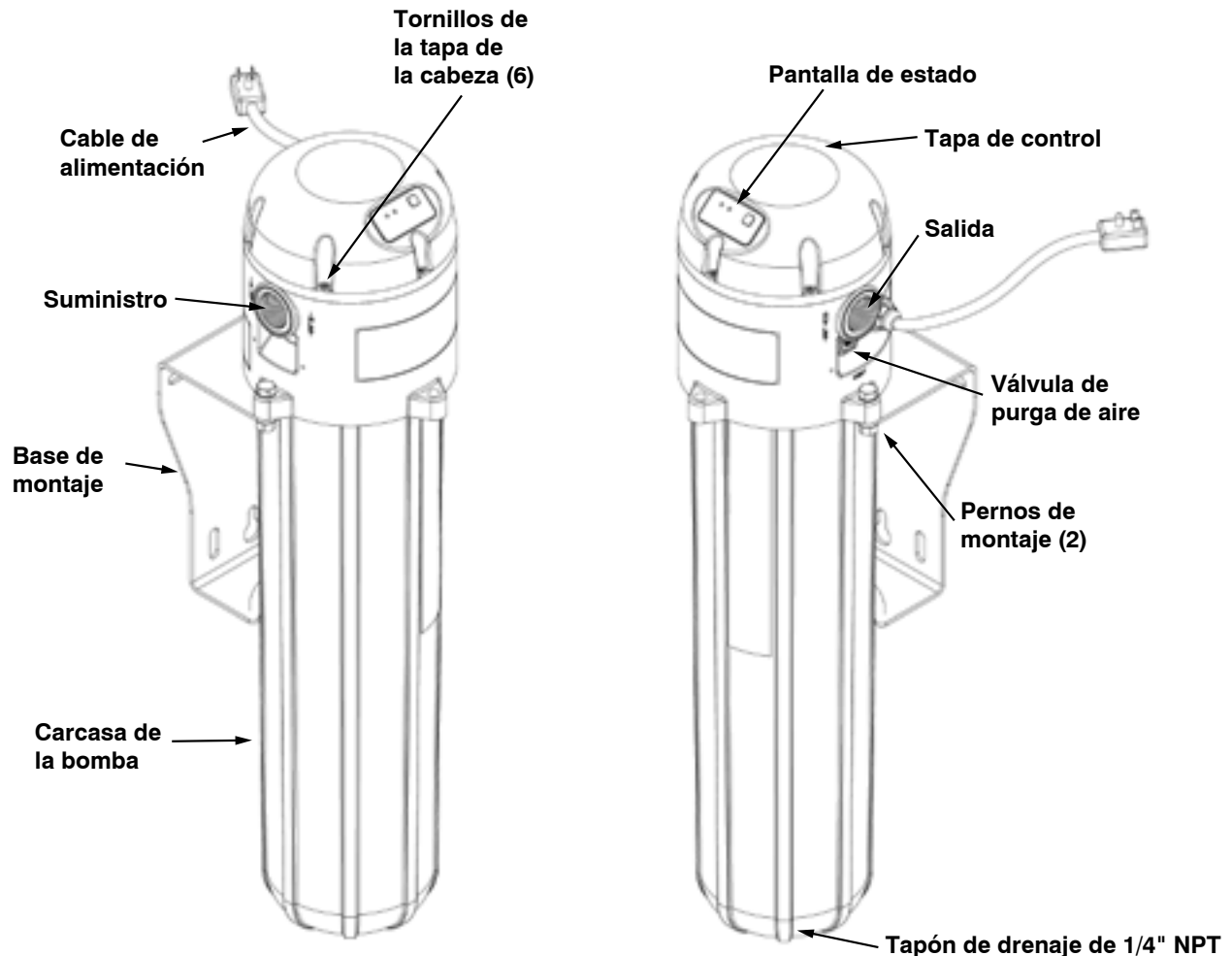
# Sistema de presurización Inline

## Introducción

El Inline 400 es un sistema de presurización de agua de uso fácil (enchufar y usar). En el corazón de este sistema de presurización totalmente integrado hay una bomba y un motor sumergible de Franklin Electric. La cabeza de control de la unidad está equipada con un sensor de flujo de efecto Hall, interruptores de presión de entrada/salida, interruptor de sobrecarga térmica y una resistente tarjeta de circuitos impresos. Un desempeño mejorado permite la versatilidad en las aplicaciones residenciales y permite la fácil instalación (montaje vertical u horizontal) a la vez que también deja funcionar al sistema con virtualmente cualquier configuración de tubería existente. NOTA: El sistema Inline tiene un gabinete Tipo 2 clasificado para uso solamente en interiores.

El sistema Inline de Franklin Electric proporciona una presurización constante usando una electrónica avanzada para accionar y controlar una bomba y un motor estándar de Franklin Electric de acuerdo a las demandas de aumento de presión de la aplicación.

## Componentes del sistema



# Sistema de presurización Inline

## En la caja

- A. Sistema de presurización Inline
- B. Manual de instalación

Todos los Sistemas de presurización Inline Franklin Electric son cuidadosamente probados, inspeccionados y empacados para asegurar que lleguen en condición perfecta. Cuando reciba la unidad, examínela de cerca para asegurarse que no ocurrieron daños durante el envío. Si hay daños evidentes, reporte esto inmediatamente a su proveedor de reparto y al concesionario del producto. El proveedor de reparto asume responsabilidad completa por la llegada del envío con seguridad. Cualquier reclamo por daños al envío, ya sean visibles o encubiertos, debe hacerse primero a través del proveedor de reparto.

## Pantalla de estado

### Luz verde fija

Indica que el sistema tiene alimentación eléctrica y está ENCENDIDO, pero no está en operación. La luz verde fija solo estará encendida si no hay fallas activas.



### Verde intermitente

Indica que la bomba tiene alimentación eléctrica, está ENCENDIDA y en operación.

### Luz roja fija

Indica que el control tiene alimentación eléctrica pero está actualmente en el modo APAGADO. Presionar el botón cambiará la unidad al modo de ENCENDIDO.



### Luz roja intermitente

Indica que ha ocurrido una FALLA. La unidad intentará reiniciarse automáticamente. Si es necesario un reinicio inmediato, se puede presionar el botón para forzar un reinicio si la falla ya no está presente. Si persiste el problema, se debe contactar a un profesional calificado.

### Botón

El botón puede usarse para encender o apagar la unidad. Cuando la unidad tiene alimentación eléctrica pero está en el modo de APAGADO (luz roja fija), presionar este botón hará que se encienda la unidad. Si la unidad tiene alimentación eléctrica y está en el modo de ENCENDIDO (luz verde fija), presionar este botón hará que se apague la unidad. El botón también puede usarse para forzar un reinicio después de una falla.

## Ubicación del Sistema de presurización Inline

Seleccione una ubicación para la instalación de la bomba que sea adecuada con base en la clasificación del gabinete del Sistema de presurización Inline. Elija una ubicación limpia, bien ventilada que proporciona protección contra la congelación, inundación y calor excesivo. Adicionalmente, debe tener acceso para darle servicio y permitir un drenaje conveniente de la carcasa de la bomba, el tanque y las tuberías de servicio. No es esencial que haya una base preparada, siempre que la superficie sea dura y nivelada.

### **▲ AVISO**

El Sistema de presurización Inline está diseñado para uso en interiores solamente.

# Sistema de presurización Inline

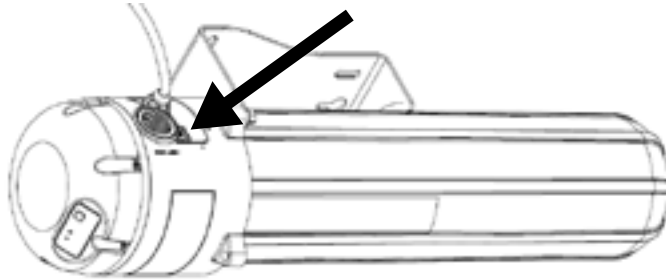
## Instalación mecánica

### Ubicación:

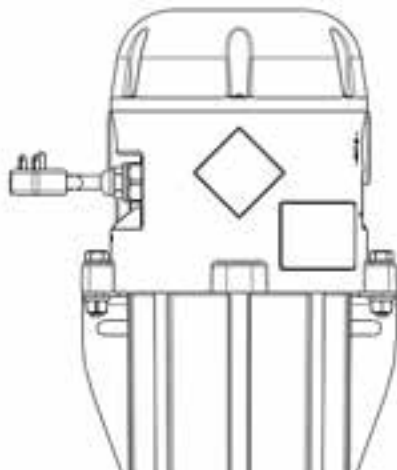
Seleccione una ubicación para la instalación de la bomba que sea adecuada con base en la clasificación del gabinete para uso en INTERIORES del Sistema de presurización Inline. Elija una ubicación limpia, bien ventilada que proporcione protección contra la congelación, inundación y calor excesivo. Adicionalmente, debe tener acceso para darle servicio y permitir un drenaje conveniente de la carcasa de la bomba, el tanque de presión y la tubería de servicio. (NOTA: Instale la bomba de tal manera que no pueda surgir daño colateral considerable si ocurriera el muy poco probable caso de fuga interna).

### Orientación para la instalación del Inline 400 (vea la Figura 1 si es necesario)

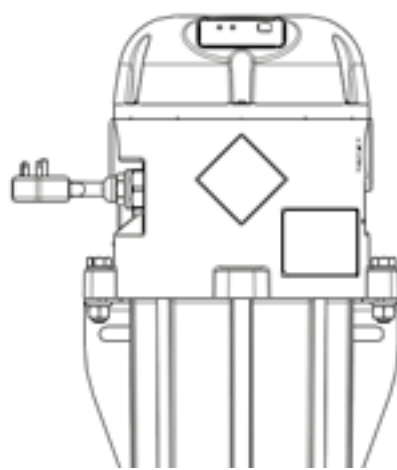
Es preferible (para facilitar la ceba) instalar la unidad Inline 400 en una orientación VERTICAL. La unidad, sin embargo, se puede instalar en la posición HORIZONTAL siempre que la válvula de salida de aire esté apuntando hacia arriba.



En las instalaciones VERTICALES, el Inline 400 viene de manera estándar con la dirección del flujo de IZQUIERDA a DERECHA cuando se monta verticalmente en una pared. Esta dirección de flujo se puede cambiar fácilmente de DERECHA a IZQUIERDA quitando los dos pernos de montaje de la cabeza, rotando la bomba 180 grados y volviendo a instalar los pernos de montaje de la cabeza. Entonces es posible quitar los (6) tornillos de la tapa de control y rotar 180 grados para colocar la pantalla de estado en una orientación visible. (nota: tenga cuidado al rotar la tapa de control ya que hay un cable eléctrico conectado a la cabeza).



Rote la bomba completa para cambiar la dirección del flujo



Rote la tapa de control para orientar la pantalla de estado

# Sistema de presurización Inline

## Instalación residencial típica del Inline 400:

El Sistema de presurización Inline está diseñado para incrementar la presión de uso de un sistema siempre que se utilice el agua. Abajo se muestra un diagrama de los componentes "requeridos" y "recomendados" de una aplicación de presurización típica.

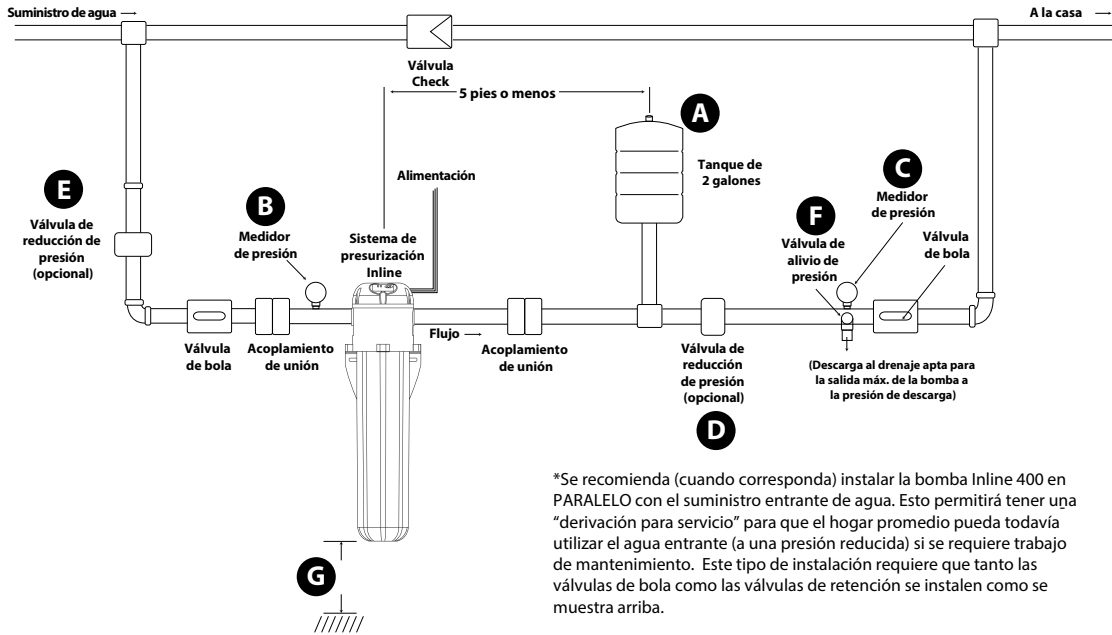


Figura 1

#	Componentes del sistema	Descripción
A	Tanque de presión	Se requiere un tanque de presión tipo vejiga (se recomienda un tamaño de 2 galones) para el control apropiado del Inline 400. Vea la sección de "Preguntas frecuentes" para obtener más detalles. Es importante que NO se instale una válvula de retención entre la bomba y el tanque de presión.
B	Medidor de presión de ENTRADA	Se recomienda un medidor de presión de ENTRADA a efectos de la configuración, funcionamiento y solución de problemas del sistema.
C	Medidor de presión de SALIDA	Se recomienda un medidor de presión de SALIDA a efectos de la configuración, funcionamiento y solución de problemas del sistema.
D	Válvula de reducción de presión de salida (PRV)	Este Inline 400 aumentará a una presión de salida igual a 55 psi + psi de entrada. Si la tubería de descarga, instalaciones y dispositivos no están clasificados para estas presiones altas, se recomienda instalar una válvula de reducción de presión después del tanque de presión para limitar la presión máxima de salida.
E	Válvula de reducción de presión de entrada (PRV)	Este Inline 400 no funcionará si la presión del agua de entrada es mayor que 40 psi. Si el suministro de entrada está por encima de 40 psi, se debe instalar en la entrada una válvula de reducción de presión.
F	Válvula de alivio de presión de salida	Se recomienda instalar una válvula de alivio de presión en la tubería de descarga para proteger los componentes de variaciones anormales de presión que puedan ocurrir en ciertas aplicaciones. Asegúrese que la descarga de las válvulas se dirija hacia una drenaje de tamaño apropiado para el flujo máximo del sistema de bombeo o suministro de agua de entrada.
G	Espacio libre para el montaje	Para facilitar el servicio, se recomienda dejar un espacio libre de 20 pulgadas abajo de la bomba (solo para quitar la carcasa). Esto puede reducirse si la unidad está instalada con las dos uniones de tubería que se muestran arriba. Esto haría fácil extraer la bomba completa del sistema para darle servicio.



# Sistema de presurización Inline

## **Procedimiento de instalación del Inline 400 (tubería):**

1. Desconecte el suministro eléctrico relevante en el interruptor principal.
2. Cierre todas las válvulas de suministro de agua necesarias para cerrar la entrada de agua. Cuidadosamente drene toda el agua de la tubería del sistema.
3. Monte el Sistema de presurización Inline en la ubicación deseada usando los tornillos de montaje y los orificios de montaje. Los tornillos de montaje no están incluidos en el producto. El Sistema de presurización Inline se puede instalar en una orientación horizontal o vertical pero no debe invertirse o colgarse de una superficie horizontal.
4. Instale la tubería de entrada y salida y el tanque de presión como se muestra en la Figura 1. La entrada y la salida de la unidad están marcadas con "INLET" y "OUTLET" respectivamente. Las uniones deben instalarse en los extremos de succión y descarga (se recomienda el uso de la cinta para sellar roscas PTFE por encima de la pasta, no apretar de más). Se proporcionan válvulas de retención internas en los extremos de succión y descarga de la bomba. Estas válvulas pueden ayudar a evitar el reflujo. Si se usa el circuito de derivación opcional, también se debe instalar una válvula de retención en la derivación (Ver Figura 1). Asegúrese de revisar todos los códigos locales de plomería para asegurar que se cumplan todos los requerimientos locales para evitar el reflujo.
5. Instale un medidor de presión en la tubería de entrada y en la de salida. Estos serán necesarios para ajustar apropiadamente el sistema así como ayudar en la solución de problemas del sistema.
6. Instale el tanque de presión después de la bomba. El tanque debe estar ubicado en un rango de 5 pies de la descarga de la bomba. No debe haber una válvula de control/retención entre el tanque de presión y el sistema de presurización Inline.
7. Instale una válvula de alivio después de la válvula de retención. La descarga debe estar conectada a un drenaje calificado para la salida máxima de la bomba a las especificaciones de alivio de presión

## **⚠ ADVERTENCIA**

El Sistema de presurización Inline puede desarrollar una presión muy alta en algunas situaciones.

Siempre instale una válvula de alivio para pasar el flujo completo de la bomba a 120 psi (6.9 bar). Instale la válvula de alivio cerca del tanque de presión.

Puede ser necesario instalar una válvula de reducción de presión para limitar el incremento potencial. Instale la válvula de reducción después del tanque de presión.

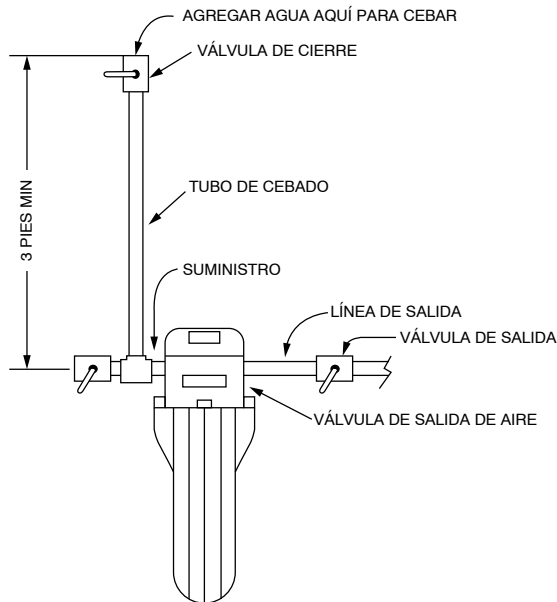
## **Procedimiento de instalación del Inline 400 (eléctrico):**

1. Contrate a un electricista con licencia para realizar el cableado. Todo el cableado debe hacerse de acuerdo con los códigos eléctricos aplicables nacionales y locales.
2. Desconecte el suministro eléctrico en el interruptor principal.
3. Verifique que el circuito derivado dedicado al Sistema de presurización Inline esté equipado con un disyuntor de 15 amp.
4. Verifique que el suministro de alimentación eléctrica corresponda a la calificación eléctrica del Sistema de presurización Inline que se va a instalar. El voltaje de suministro debe estar a +/- 10% del voltaje indicado en la placa.
5. Cada instalación debe estar conectada a tierra. Debe haber una conexión a tierra confiable entre la bomba y el panel de distribución.
6. El Sistema de presurización Inline viene con todas las conexiones internas precableadas.
7. La unidad debe conectarse a un tomacorriente que corresponda con el de la unidad comprada.

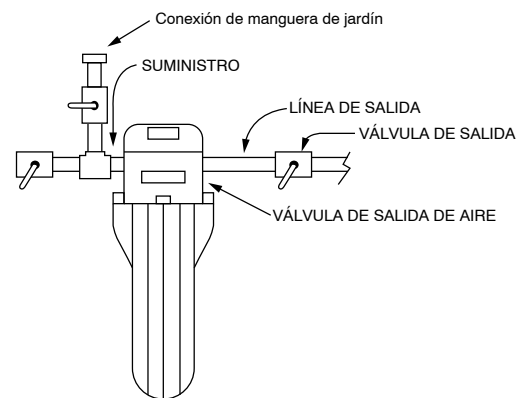
# Sistema de presurización Inline

## Consideraciones de la tubería para propósito del cebado:

El Inline 400 necesita cebarse con agua antes de que pueda funcionar apropiadamente. Hay dos válvulas de retención (check) internas construidas en la cabeza de la unidad que necesitan abrirse durante el cebado. Esto requiere que el agua cebada tenga una presión mínima de entrada de 1.5 psi. Esto es especialmente importante si la aplicación involucra la presurización del agua que sale de una cisterna poco profunda. Hay dos maneras simples de completar esto en la tubería de succión.



**CEBADO:** Se puede alcanzar 1.5 psi en la entrada vaciando agua a través de una columna de agua vertical de 3 pies. Asegúrese de mantener cerrada la válvula de entrada y abierta la válvula de salida de aire hasta que todo el aire se purgue de la unidad.



**CEBADO:** Se puede alcanzar una presión/ flujo de entrada adecuado en la entrada conectando una manguera de jardín a una conexión en el lado de la bomba. Asegúrese de mantener cerrada la válvula de entrada, abrir el suministro de agua, y abrir la válvula de salida de aire hasta que todo el aire sea purgado de la unidad.

## Cebado del Inline 400:

Nunca opere la bomba en seco. Llene la tubería de succión, la carcasa de la bomba y la tubería de descarga completamente con agua. Una instalación típica recibirá el suministro ya sea de un tanque o una fuente de agua presurizada, creando lo que se conoce como condición de succión inundada.

Con la unidad completamente conectada en el sistema, abra la válvula de suministro de agua y permita que el agua presurizada fluya a través de la unidad. Coloque una cubeta pequeña bajo el tanque del Inline para capturar el agua que se expulsa de la salida de aire al cebado. Con un destornillador de cabeza plana pequeño, abra lentamente la válvula de salida de aire (localizada directamente debajo de la salida) para permitir que salga el aire de la bomba interna y el tanque. Cuando la válvula deje de barbotear y expulse solamente un chorro fino de agua, cierre la válvula de salida de aire. La unidad ahora está cebada y lista para la operación.

# Sistema de presurización Inline

## Operación del Inline 400:

Todo el aire debe eliminarse del sistema. El Sistema de presurización Inline viene preinstalado con una válvula de salida para ayudar a evacuar el aire.

1. Cierre todas las salidas del sistema y luego abra la válvula de salida del aire.
2. Abra cualquier válvula de entrada para permitir que el suministro de agua entre a la bomba. Esté preparado para la descarga de una mezcla de aire con algo de agua a través de la válvula de salida. Puede ser útil tener una pequeña cubeta para recoger el agua dispersada.
3. Cierre la válvula de salida de aire una vez que el aire ha salido del sistema (indicado por un chorro de agua pequeño y estable que sale de la válvula de salida).
4. Una vez que se ha evacuado el aire del sistema, abra ligeramente una válvula de salida del sistema. Arranque la bomba presionando el botón. Esto pondrá la bomba en modo automático.
5. Inmediatamente comience a abrir la válvula de descarga hasta la mitad. Si después de unos minutos de operación no obtiene agua presurizada, repita el proceso de cebado como se detalla arriba. NOTA: Si la unidad no se ceba en 10 segundos, la bomba se detendrá y la luz ROJA comenzará a parpadear en la pantalla. Esto se debe a una condición de error de BAJA CARGA en la cual la bomba no está incurriendo en una carga indicando que el agua sea bombeada. Simplemente presione el botón de arranque de nuevo para dejar que la bomba funcione por 10 segundos adicionales para que se ceba. REPITA si es necesario.
6. Una vez que la bomba está operando, abra completamente la válvula de descarga y una salida del sistema, dejando que la bomba funcione hasta que el agua esté corriendo limpia. No se necesitará cebar nuevamente a menos que se drene la bomba o haya una fuga en la tubería de succión.

NOTA: **NUNCA ABRA LA SALIDA CON LA BOMBA FUNCIONANDO** ya que esto puede permitir que ENTRE aire a la bomba en vez de sacarlo del sistema.

## Efecto de las fugas del sistema:

Los sistemas con fugas pueden ocasionar que el Sistema de presurización Inline tenga un ciclo de trabajo mayor de lo esperado. Esto es debido a que la unidad se enciende cuando la presión de salida disminuye por debajo de la presión de descarga preestablecida (configurada de fábrica a 40 psi) La operación continua o un número mayor de arranques y paradas no dañarán al controlador, la bomba o el motor. No obstante, el problema se debe arreglar si es posible, para eliminar un incremento en el uso de alimentación eléctrica del sistema.

## Ajuste/afinación fina del desempeño del Inline 400:

Cuando se instala apropiadamente con un tanque de presión externa (tamaño recomendado de 2 galones), es posible ajustar la presión de CONEXIÓN de la unidad Inline 400.

## **ADVERTENCIA**

Desconecte la alimentación de la unidad antes de intentar quitar la tapa de control y ajustar el interruptor de presión de descarga.

La bomba Inline 400 está configurada de fábrica para comenzar a presurizar (ENCENDER la bomba) cuando la presión de descarga cae por debajo de 40 psi. En ciertas aplicaciones, puede ser deseable ajustar este parámetro a un valor más alto o más bajo. Ver el ejemplo abajo.

En este ejemplo, se suministra una casa con agua presurizada de la municipalidad local que fluctúa entre 30 psi máximo y 25 psi mínimo. Como se dijo antes, el Inline 400 agregará 55 psi a la presión del agua de entrada.

La presión de salida máxima total es  $30 \text{ psi} + 55 \text{ psi} = 85 \text{ psi}$

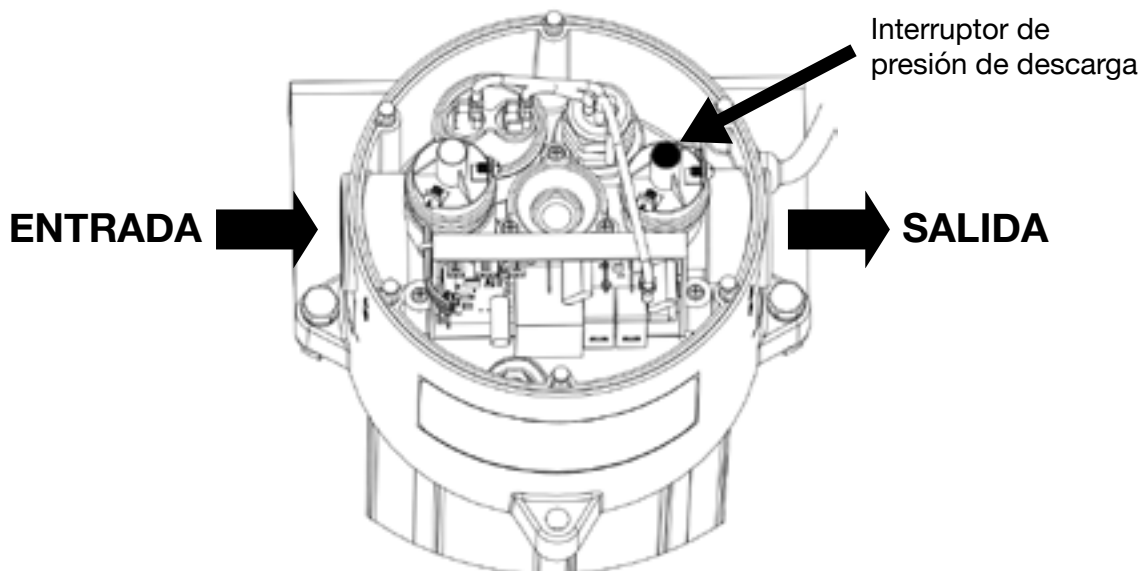
La presión de salida mínima total es  $25 \text{ psi} + 55 \text{ psi} = 80 \text{ psi}$

## Sistema de presurización Inline

Esta condición dará como resultado una caída de presión desde 80 u 85 psi hasta 40 psi antes de que la bomba inicialmente se ENCIENDA (esta CAÍDA se debe a que el agua almacenada se descarga del tanque de presión). Si el instalador desea cambiar la caída de 80 psi a 40 psi a una caída de 80 psi a 50 psi, se puede ajustar el interruptor de presión de descarga para encender la bomba cuando la presión de descarga llegue a 50 psi. Siga estos pasos:

1. Desconecte la unidad de la alimentación de entrada.
2. Extraiga los (6) tornillos de la tapa de control y quite la tapa (nota: tenga cuidado al quitar la tapa de control ya que hay un cable eléctrico conectado a la cabeza).
3. Usando una llave hexagonal de 7/32", gire el tornillo del interruptor de presión de descarga interna una vuelta completa en sentido de las manecillas del reloj. Esto debe elevar el corte del interruptor de 10 a 12 psi.
4. Coloque de nuevo la tapa de control y vuelva a instalar los (6) tornillos.
5. Ajuste la presión del tanque a 48 psi (siempre 2 psi más baja que la presión de corte)

**NOTA:** NUNCA ajuste el interruptor de presión de descarga a un valor MAYOR que la SUMA de su presión mínima de entrada + 40 psi porque si lo hace puede resultar en una falla (luz ROJA intermitente).



### Mantenimiento del Inline 400:

#### **⚠ ADVERTENCIA**

Desconecte la alimentación de la unidad antes de intentar llevar a cabo estas funciones de mantenimiento. Un profesional de servicio calificado debe ejecutar todas las funciones de mantenimiento.

#### **Drenaje del sistema:**

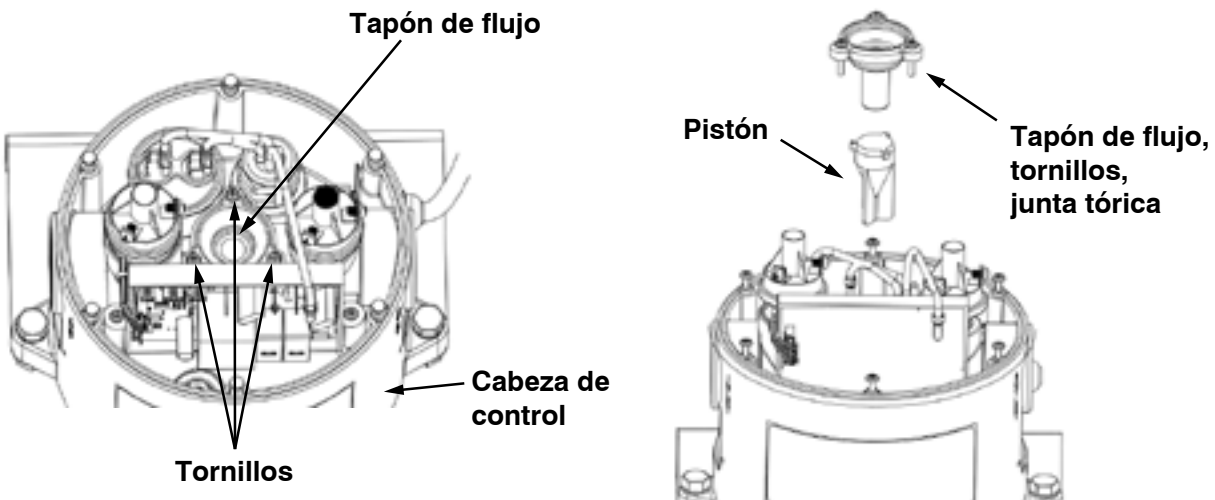
Desconectar la bomba no necesariamente drenará todas las otras partes del sistema de tuberías. Si hay alguna preocupación con el procedimiento apropiado o la necesidad de drenar la tubería de succión, póngase en contacto con un profesional de sistemas hidráulicos. Cuando sea apropiado, deben drenarse todos los sistemas Inline, las tuberías y los tanques de agua expuestos a temperaturas de congelación. Hay un tapón de drenaje en la parte baja de la unidad que se puede usar para drenar el sistema inhabilitado. Si tiene dudas acerca del procedimiento apropiado para drenar el tanque de presión del sistema, póngase en contacto con el fabricante del tanque para que le proporcione orientación técnica.

# Sistema de presurización Inline

## Limpeza del interruptor de flujo:

En algunos casos el interruptor de flujo se puede obstruir con depósitos minerales o bloquear con basuras. En esos casos el interruptor se puede limpiar con los siguientes pasos:

1. Desconecte la unidad de la alimentación de entrada.
2. El sistema puede estar bajo presión. Como tal, cierre tanto la válvula de entrada como la de salida y drene toda el agua presurizada del sistema antes de dar mantenimiento en el interruptor de flujo.
3. Extraiga los (6) tornillos de la tapa de control y quite la tapa (nota: tenga cuidado al quitar la tapa de control ya que hay un cable eléctrico conectado a la cabeza).
4. Extraiga los tres tornillos Phillips que mantienen la tapa de flujo en su lugar.
5. Quite la tapa de control de flujo. La junta tórica puede salir con la tapa o puede quedarse en la cabeza. Quite la junta tórica y asegúrese que no tiene basuras. Colóquela nuevamente en la parte inferior de la tapa de flujo.
6. Use un objeto pequeño de metal, como un destornillador o llave para tuercas, para recuperar el pistón de control de flujo magnético de la cavidad (es magnético y se adherirá al objeto de metal).
7. Limpie con un trapo el pistón de control de flujo magnético.
8. Limpie las basuras o residuos de la cabeza donde se inserta el pistón.
9. Reemplace el pistón en la cabeza. Presione firmemente la tapa de flujo con la junta tórica en la cabeza. Apriete los (3) tornillos a una torsión de 15 pulgadas-lb (no apriete de más).
10. Coloque de nuevo la tapa de control y apriete los (6) tornillos a una torsión de 15 pulgadas-lb.
11. Recalibrar la cabeza de control (ver la página 14).



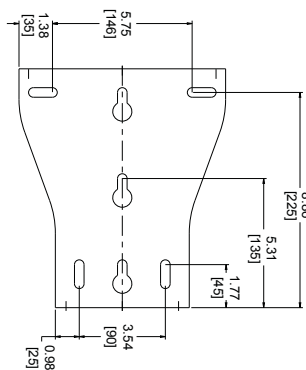
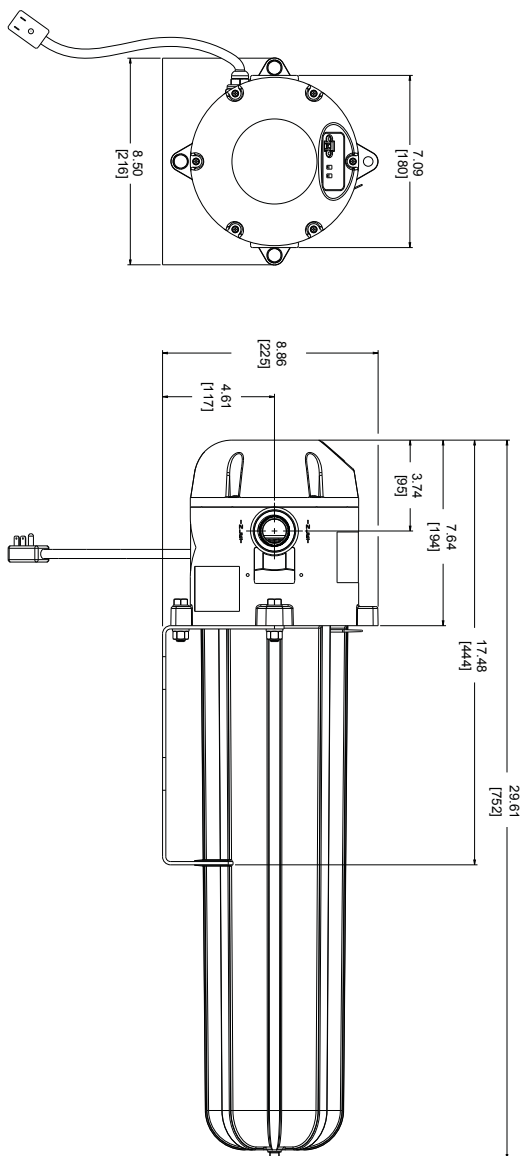
# Sistema de presurización Inline

## Re-calibración de la cabeza de control:

Hay veces, especialmente después del servicio, que el Inline 400 necesita recalibrarse. Esto es necesario para poder restablecer un punto de referencia para la indicación de flujo. Siga estos procedimientos para la calibración de flujo en el campo:

1. Antes de pasar la alimentación eléctrica a la unidad, verifique que no haya flujo de agua en el sistema. Esto asegurará que el pistón de flujo esté en en la posición completamente asentado (cero flujo).
2. Mientras mantiene presionado el botón en la pantalla de estado, conecte el cable de alimentación de la unidad al receptáculo (o encienda el interruptor si está cableado directo). Continúe presionando al botón cinco segundos hasta que los indicadores LED verde y rojo parpadeen ambos, indicando que finalizó la calibración. Libere el botón y el indicador LED rojo debe quedar iluminado fijo, indicando que la calibración fue exitosa.
3. Abra las válvulas/grifos para comenzar el flujo del agua y confirmar que la unidad está funcionando apropiadamente.

## Esquema de dimensiones del Inline 400:



Descripción del modelo	No. de pedido
Llave para la carcasa de la bomba	305572001
Interruptor de presión (40 psi) de entrada o salida	305572007
Carcasa de de recambio de la bomba	305572009
Tapa de control de recambio con pantalla	305572010
Base de montaje de recambio	305572011
Capacitor del motor - 115 V (con tapa de goma)	305572012
Condensador del motor - 230 V (con tapa de goma)	305572013
Cable de alimentación - 115 V	305572014
Cable de alimentación - 230 V	305572015
Kit del pistón de flujo	305572016
Junta tórica de la carcasa de la bomba	305572017

# Sistema de presurización Inline

## Guía de solución de problemas para Inline 400

Condición	Luces indicadoras	Causa posible	Acción correctiva
La unidad no enciende - No están iluminados los LED VERDE o ROJO en la tapa de control	Ninguna	Disyuntor disparado o apagado	Encienda el disyuntor
	Ninguna	Disyuntor disparado o apagado	Consulte a un electricista con licencia para cablear la conexión apropiadamente
La unidad enciende brevemente, no desarrolla presión, luego se apaga	Verde intermitente (10 s) luego ROJO intermitente	Insuficiente agua	Revise el suministro de agua y las válvulas
	Verde intermitente (10 s) luego ROJO intermitente	Cebado de la unidad insuficiente	Consulte la sección de técnicas apropiadas de cebado en el manual del propietario
	Verde intermitente (10 s) luego ROJO intermitente	Operación en seco	Revise el suministro de agua y las válvulas
La unidad no arranca con la demanda de agua	Luz verde fija	Presión de entrada del agua por encima de 40 psi	Instale una válvula reductora de presión en la entrada para reducir la presión de entrada
La unidad realiza continuamente el ciclo ENCENDIDO/ APAGADO (ciclo rápido)	Verde intermitente	Presión de carga inapropiada en el tanque	Establecer la presión en el tanque de presión a 2 psi más baja que la presión de corte
	Verde intermitente	Revise la válvula entre el tanque y la unidad	Coloque la válvula de retención después del tanque de presión
La unidad no enciende	Luz ROJA fija	La unidad está APAGADA	Presione el botón de encendido en la interfase del usuario
	Luz ROJA intermitente	Sobrevoltaje (voltaje de entrada mayor de +10%)	Revise el suministro de voltaje y corríjalo si es posible
	Luz ROJA intermitente	Bajo voltaje (voltaje de entrada menor de -10%)	Revise el suministro de voltaje y corríjalo si es posible
	Luz ROJA intermitente	Sobrecalentamiento debido a temperatura excesiva del agua	Suministre agua fría a la bomba
	Luz ROJA intermitente	La bomba está en condición de alarma	Reinicie la bomba presionando el botón de encendido
La unidad opera o se cicla continuamente	Verde intermitente	Fuga/uso por encima de 1/2 gpm en la tubería del sistema	Repare la fuga en la tubería
	Verde intermitente	La válvula de retención está bloqueada/dañada	Coloque una nueva válvula de retención antes de la unidad en la tubería de ENTRADA
	Verde intermitente	El pistón de flujo interno se quedó abierto	Limpie el pistón de flujo (ver la página 14)

**NOTA:** El motor en esta unidad contiene una protección térmica que responde a la corriente del motor y al calor del devanado del motor y la temperatura ambiente. Cuando la combinación de corriente y calor excede un punto predeterminado, el protector se abre e interrumpe el circuito. Cuando la temperatura del devanado regresa a un nivel más normal, el protector automáticamente se restablecerá.

# Sistema de presurización Inline

## Preguntas frecuentes

### ¿Qué ocasiona que el Inline comience a presurizar?

El Inline está equipado con un sensor de flujo e interruptores de presión duales. Se encenderá cuando:

- La presión de descarga caiga por debajo de 40 psi o
- La presión de descarga sea igual a la presión de entrada

Esta lógica de arranque permite al tanque de presión descargarse completamente antes de ENCENDER la unidad del sistema Inline. Esto minimizará el consumo de energía e incrementará la vida del producto al adaptarse al poco uso intermitente o fuga del agua.

### ¿Qué ocasiona que el Inline deje de presurizar?

El sistema Inline deja de presurizar cuando la demanda de agua cae por debajo de una velocidad de flujo de ½ galón por minuto (la bomba se apagará en 10 segundos después de que se detenga el flujo). La unidad también se puede ser apagar manualmente durante la operación normal presionando el botón en la tapa de la unidad.

### ¿Qué protección interna del sistema ofrece el Inline?

El Inline monitorea varias funciones diferentes para poder proteger la unidad si ocurre alguna de las siguientes condiciones durante la operación normal:

- Sobrevoltaje (+10% del nominal)
- Bajo voltage (-10% del nominal)
- Operación en seco (por ejemplo, el motor está funcionando pero no desarrolla presión)
- Sobrecalentamiento (temperatura interna del agua mayor que 120 °F)

Estas son fallas del Inline 400 que también se indican por una luz roja intermitente en la tapa de control.

### ¿Cuál es el propósito del tanque de presión?

El tanque de presión sirve para dos propósitos.

1. Permite que se usen volúmenes pequeños de agua sin arrancar el Inline.
2. Agrega un amortiguador de presión al sistema para poder absorber los picos o fluctuaciones de presión no deseados.

Se recomienda que se cargue el tanque a 38 psi cuando se instale.

### ¿Cuál es la presión máxima de entrada?

La presión interna máxima nominal del Inline es 100 psi. Por lo tanto, la presión máxima de entrada cuando se agrega a la máxima presión de la bomba Inline (ver la tabla de desempeño) no debe exceder 100 psi. La unidad Inline incorpora un interruptor de presión interna que no permitirá que la unidad se ENCIENDA si la presión de entrada excede 40 psi ya sea antes o durante la operación deseada. Ejemplo: Si desea usar este sistema de presurización en una aplicación con una entrada de 45 psi, se recomienda instalar una válvula reductora de presión (PRV) en el lado de entrada de la unidad. La válvula de reducción de presión se usará para mantener una presión constante por debajo de la presión de corte y podría usarse para limitar la presión máxima creada.



# Sistema de presurización Inline

## **¿Cuál es la presión máxima de salida?**

El Inline mantendrá una presión del sistema de "NO FLUJO" igual a la presión de entrada (psi) más la presión de apagado de la curva de funcionamiento de la bomba. Por ejemplo, si la presión de entrada es 38 psi, al apagar el sistema presurizará 55 psi adicionales. Esto significa que la TODA la tubería después del Inline estaría sujeta a mantener 93 psi (38 + 55). Si esta presión alta es indeseable debido a la condición y/o configuración de la tubería o instalaciones existentes, se recomienda instalar una válvula de reducción de presión en la descarga del Inline para limitar la presión máxima distribuida.

## **¿Cuál es la temperatura de funcionamiento máxima del Inline?**

El Inline está equipado con dos sensores de temperatura. Uno está instalado incorporado al motor para proteger el devanado del motor. El otro está instalado en la cabeza de control y es sensible a la temperatura interna del agua. En ambos casos, la unidad fallará a una temperatura máxima de 120 °F y se encenderá de nuevo cuando la temperatura baje a 95 °F.

## **¿Necesito instalar el Inline verticalmente?**

El Inline puede instalarse horizontalmente siempre que el puerto de descarga esté dirigido hacia arriba. Esta orientación coloca la válvula de salida de aire en la posición hacia arriba permitiendo que funcione apropiadamente durante el cebado inicial de la bomba.

## **¿Cómo cebo el sistema Inline?**

El Inline necesitará cebarse apropiadamente antes de la operación inicial (antes de que se conecte). Como hay dos válvulas de retención de resorte integradas a la cabeza del Inline, se necesita una cantidad pequeña de presión positiva (1.5 psi) de agua para abrir estas válvulas y cebar apropiadamente la unidad.

Con la unidad completamente conectada en el sistema, abra la válvula de suministro de agua y permita que el agua presurizada fluya a través de la unidad. Probablemente deba colocar una cubeta pequeña bajo el tanque del Inline para capturar el agua que se expulsa de la salida de aire al cebar. Con un destornillador de cabeza plana pequeño, abra lentamente la válvula de salida de aire (localizada directamente bajo la salida) para permitir que salga el aire de la bomba interna y el tanque. Cuando la válvula deje de barbotear y expulse solamente un chorro fino de agua, cierre la válvula de salida de aire. La unidad ahora está cebada y lista para la operación.

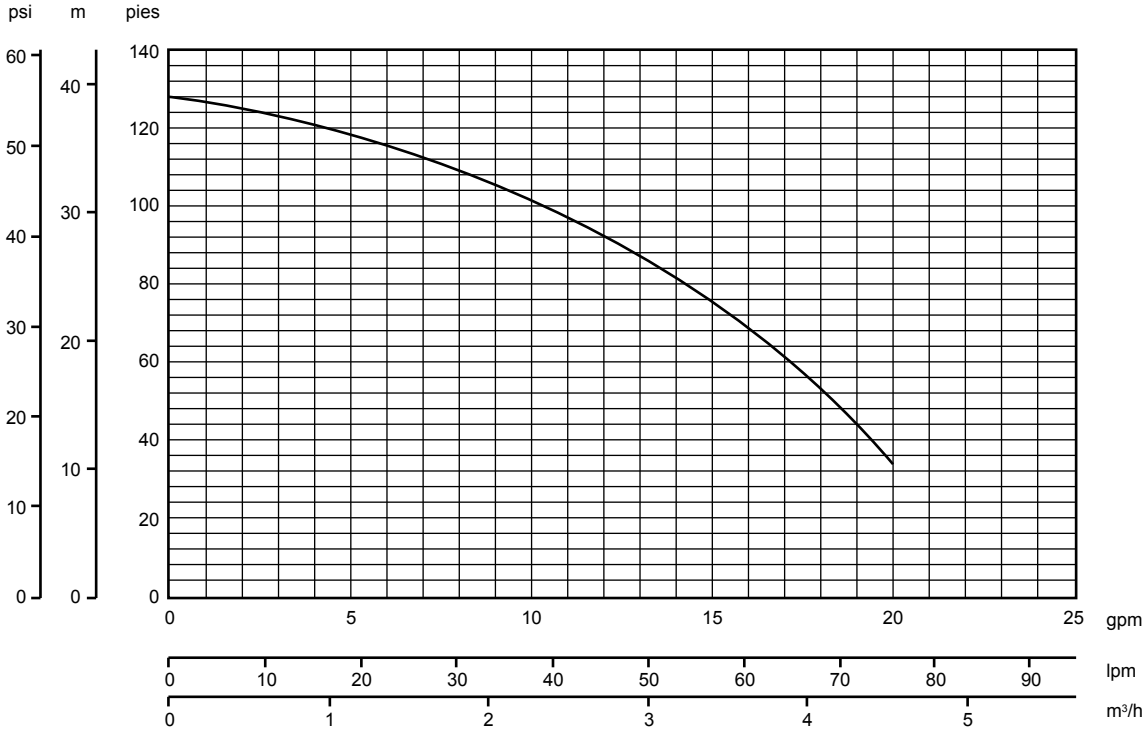
***Nota: No abra la válvula de salida de aire cuando la bomba esté en funcionamiento.***

## **¿Puede usarse el sistema Inline en aplicaciones de levantamiento por succión?**

No se recomienda usar el Inline en aplicaciones de levantamiento por succión a más de cinco pies de elevación. Puede requerirse una fuente secundaria de agua presurizada (por ejemplo una manguera municipal o tubería ascendente de 3 pies) para proveer la ceba presurizada adecuada como se describe arriba.

# Sistema de presurización Inline

**Apéndice 1: Curva de desempeño del sistema de presurización Inline**



# Sistema de presurización Inline

## Apéndice 2: Tablas de pérdida por fricción

### Tubería de 3/4"

Flujo GPM	Velocidad Pies / s	Pérdida por fricción Pies de carga hidráulica / 100 pies		Velocidad Pies / s	Pérdida por fricción Pies de carga hidráulica / 100 pies
		Acero (C = 100)	PVC (C = 140)		Cobre (C = 130)
2	1.20	1.93	1.03	1.33	1.50
3	1.80	4.09	2.19	1.99	3.18
4	2.41	6.96	3.73	2.65	5.42
5	3.01	10.53	5.64	3.31	8.20
6	3.61	14.75	7.91	3.98	11.49
7	4.21	19.63	10.53	4.64	15.29
8	4.81	25.13	13.48	5.30	19.57
9	5.41	31.26	16.76	5.97	24.35
10	6.02	38.00	20.38	6.63	29.59

### Tubería de 1"

Flujo GPM	Velocidad Pies / s	Pérdida por fricción Pies de carga hidráulica / 100 pies		Velocidad Pies / s	Pérdida por fricción Pies de carga hidráulica / 100 pies
		Acero (C = 100)	PVC (C = 140)		Cobre (C = 130)
2	0.74	0.60	0.32	0.78	0.41
4	1.48	2.15	1.15	1.56	1.48
6	2.23	4.56	2.44	2.33	3.14
8	2.97	7.76	4.16	3.11	5.35
10	3.71	11.74	6.29	3.89	8.08
12	4.45	16.45	8.82	4.67	11.33
14	5.20	21.89	11.74	5.44	15.07
16	5.94	28.03	15.03	6.22	19.30
18	6.68	34.86	18.70	7.00	24.00

### Tubería de 1 1/4"

Flujo GPM	Velocidad Pies / s	Pérdida por fricción Pies de carga hidráulica / 100 pies		Velocidad Pies / s	Pérdida por fricción Pies de carga hidráulica / 100 pies
		Acero (C = 100)	PVC (C = 140)		Cobre (C = 130)
4	0.86	0.57	0.30	1.02	0.53
6	1.29	1.20	0.64	1.53	1.13
8	1.72	2.04	1.10	2.04	1.92
10	2.15	3.09	1.66	2.55	2.90
12	2.57	4.33	2.32	3.06	4.07
14	3.00	5.76	3.09	3.57	5.41
16	3.43	7.38	3.96	4.08	6.93
18	3.86	9.18	4.92	4.59	8.62
20	4.29	11.16	5.98	5.11	10.48
25	5.36	16.87	9.05	6.38	15.85

Nota: Las tablas muestran las pérdidas por fricción por 100 pies de tubería. Para convertir a pérdidas por fricción por pie, mueva el punto decimal dos lugares a la izquierda.

# GARANTÍA LIMITADA\*

## **ESTA GARANTÍA ESTABLECE LA ÚNICA OBLIGACIÓN DE LA EMPRESA Y LA COMPENSACIÓN EXCLUSIVA AL COMPRADOR POR UN PRODUCTO DEFECTUOSO.**

Franklin Electric Company, Inc. y sus filiales (de aquí en adelante, "la Empresa") garantizan que los productos que cubre esta garantía carecen de defectos en cuanto al material o la mano de obra de la Empresa.

La Empresa tiene derecho a inspeccionar todo producto devuelto en garantía para confirmar si tiene defectos en el material o la mano de obra. La Empresa tendrá el derecho exclusivo de elegir si reparará o reemplazará el equipo, las piezas o los componentes defectuosos.

El comprador deberá enviar el producto a un distribuidor autorizado de Franklin Electric para hacer uso de la garantía. Las devoluciones al lugar de compra solo se considerarán para la cobertura de la garantía si el lugar de compra es un Distribuidor de Franklin Electric al momento en el que se haga la reclamación. Con sujeción a los términos y las condiciones que se enumeran a continuación, la Empresa le reparará o reemplazará al comprador cualquier parte de este producto que se compruebe estar defectuoso a causa de los materiales o la mano de obra de la Empresa.

La Empresa considerará que los productos están garantizados durante doce meses a partir de la fecha de su instalación, o durante 24 meses a partir de la fecha de manufactura, lo que ocurra primero.

La Empresa no se responsabilizará EN NINGÚN CASO ni estará obligada a responder por el costo del trabajo de campo u otros cargos en los que incurra un cliente al retirar y/o instalar un producto, una pieza o un componente de este.

La Empresa se reserva el derecho de cambiar o mejorar sus productos, o cualquier parte de ellos, sin tener la obligación de proveer dicho cambio o mejora a los productos que se han vendido con anterioridad.

ESTA GARANTÍA NO SE APLICA A los productos dañados por sucesos de fuerza mayor, incluyendo descargas eléctricas, el desgaste normal del producto, los servicios habituales de mantenimiento y las piezas que se utilicen en relación con dichos servicios, o por cualquier otra condición que escape al control de la Empresa.

ESTA GARANTÍA SE ANULARÁ DE INMEDIATO si se presenta cualquiera de las siguientes condiciones:

1. El producto se utilizó para otros propósitos distintos de aquellos para los que fue diseñado y fabricado;
2. El producto no se instaló de conformidad con los códigos, los reglamentos y las buenas prácticas comerciales vigentes;
3. El producto no fue instalado por un contratista certificado por Franklin;
4. El producto resultó dañado por negligencia, abuso, accidente, aplicación indebida, modificación, alteración, instalación, operación, mantenimiento o almacenamiento inadecuados o como resultado del abuso de los límites recomendados y establecidos en las instrucciones del producto.

NI EL VENDEDOR NI LA COMPAÑÍA SERÁN RESPONSABLES POR NINGUNA LESIÓN, PÉRDIDA O DAÑO DIRECTO, INCIDENTAL O CONSECUENCIAL (INCLUIDOS, A TÍTULO ENUNCIATIVO, MAS NO LIMITATIVO, LOS DAÑOS INCIDENTALES Y CONSECUENCIALES POR PÉRDIDA DE GANANCIAS, VENTAS NO REALIZADAS, LESIONES A PERSONAS O LA PROPIEDAD, O CUALQUIER OTRA PÉRDIDA INCIDENTAL O CONSECUENCIAL) QUE SURJAN DEL USO O DE LA IMPOSIBILIDAD DEL USO DEL PRODUCTO, Y EL COMPRADOR ACEPTA QUE NO TENDRÁ DISPONIBLE NINGUNA OTRA COMPENSACIÓN.

LA GARANTÍA Y COMPENSACIÓN DESCRITOS EN ESTA GARANTÍA LIMITADA SON EXCLUSIVOS Y REEMPLAZAN A CUALQUIER OTRA GARANTÍA O COMPENSACIÓN, EXPRESAS O IMPLÍCITAS, Y POR EL PRESENTE SE EXCLUYEN OTRAS GARANTÍAS Y COMPENSACIONES INCLUYENDO, A TÍTULO ENUNCIATIVO, MAS NO LIMITATIVO, TODA GARANTÍA IMPLÍCITA DE COMERCIABILIDAD O IDONEIDAD PARA UN PROPÓSITO DETERMINADO, Y EN LA MEDIDA EN QUE ALGUNA DE LAS DOS SEA APLICABLE A UN PRODUCTO, ESTARÁ LIMITADA A LA DURACIÓN DE LOS PERIODOS DE LAS GARANTÍAS EXPRESAS MENCIONADOS ANTERIORMENTE.

**DESCARGO DE RESPONSABILIDADES** Cualquier declaración oral sobre el producto realizada por el vendedor, la Empresa, los representantes o cualquier otra parte, no constituye garantías. El usuario no debe depender de ellas, y no forman parte de este contrato de venta. La única obligación del vendedor y la Empresa, y la única compensación a disposición del comprador, será el reemplazo y/o la reparación del producto por parte de la Empresa, de la forma descrita anteriormente. Antes de usar el producto, el usuario determinará la idoneidad de este para su uso previsto, y el usuario asumirá todos los riesgos y la responsabilidad que se deriven de esta acción.

Algunos estados y países no permiten la exclusión o la limitación respecto a la duración de una garantía implícita, ni tampoco la exclusión o la limitación respecto a los daños incidentales o consecuenciales, de manera que es posible que la exclusión o las limitaciones mencionadas anteriormente, no sean aplicables en su caso. Esta garantía le concede derechos legales específicos, y también puede tener otros derechos que varían según el estado y el país.

Franklin Electric, a su exclusivo criterio, puede actualizar esta garantía limitada ocasionalmente. Cualquier información conflictiva en relación a los procedimientos de la garantía, ya sea en un manual del usuario o no, queda suplantada por este documento. No obstante, todas las referencias al periodo o longitud del periodo de una garantía, permanecerán consistentes con la garantía vigente al momento de compra.

El usuario puede hacer válida la garantía directamente con el representante donde fue adquirido el producto. Para compras en México, puede contactar al importador Motores Franklin S.A. de C.V. En cualquier caso, deberá presentar el producto acompañado de la factura de compra o la presente póliza de garantía.

Para poder acceder a componentes, consumibles y accesorios, el usuario puede acudir directamente con el representante donde fue adquirido el producto. Para compras en México, puede contactar al importador Motores Franklin S.A. de C.V.

Importador: Motores Franklin S.A. de C.V.  
Av. Churubusco 1600 B16  
Monterrey, NL  
CP 64560 MÉXICO  
Tel. 81 8000 1000

**NOTAS:**

**NOTAS:**

**NOTAS:**



Form 106935101  
Rev. 2  
07.15



**Franklin Electric**  
9255 Coverdale Road, Fort Wayne, IN 46809  
Tel: 260.824.2900 Fax: 260.824.2909  
[www.franklinwater.com](http://www.franklinwater.com)






**Systeme de  
surpression Inline  
Manual du proprietaire**

# Avant de commencer

Consultez et respectez toutes les directives de sécurité. Consultez les plaques signalétiques du produit pour obtenir des directives d'utilisation et des spécifications supplémentaires.

Ce triangle est le symbole d'alerte de sécurité. Lorsque vous voyez ce  symbole sur votre pompe ou dans ce manuel, recherchez l'un des mots de signal suivants et soyez à l'affût du potentiel de blessures :

**⚠ DANGER** informe des dangers qui entraîneront des blessures graves, la mort ou des dommages matériels importants s'il est ignoré.

**⚠ AVERTISSEMENT** informe des dangers qui peuvent entraîner des blessures graves, la mort ou des dommages matériels importants s'il est ignoré.

**⚠ PRUDENCE** informe des dangers qui entraîneront ou risquent d'entraîner des blessures mineures ou des dommages matériels importants s'il est ignoré.

**⚠ REMARQUE** informe des instructions spéciales importantes, qui ne sont cependant pas liées à des dangers. Consultez et respectez attentivement toutes les directives de sécurité qui figurent dans ce manuel et sur la pompe.



## ⚠ AVERTISSEMENT

**RISQUE DE DÉCHARGE ÉLECTRIQUE** – Cette pompe est fournie avec un conducteur de mise à la terre et une fiche munie d'une attache de mise à la terre. Pour réduire le risque de décharge électrique, assurez-vous de seulement brancher la pompe à une prise électrique correctement mise à la terre. Débranchez l'alimentation avant de travailler sur ou autour du système Inline. N'utilisez pas le système Inline dans les zones de baignade.

Cet équipement doit être installé par une personne qualifiée du point de vue technique. Une installation ne respectant pas les codes de l'électricité nationaux et locaux et les recommandations de Franklin Electric peut entraîner une décharge électrique, un incendie, un rendement insatisfaisant ou une défaillance de l'appareil. De l'information sur l'installation est disponible auprès des fabricants et des distributeurs de pompes, ou directement auprès de Franklin Electric au moyen de notre numéro sans frais, 1-800-348-2420.

Cet équipement ne doit pas être utilisé par des enfants ou des personnes ayant des capacités physiques, sensorielles ou mentales réduites, ou qui manquent d'expérience ou d'expertise, à moins d'être supervisés ou dirigés. Des enfants ne doivent pas utiliser l'équipement ou jouer avec celui-ci ou dans son entourage immédiat.

Si le cordon d'alimentation est endommagé, il doit être remplacé uniquement par une personne compétente.

## ⚠ PRUDENCE

- L'aire de travail doit être propre, bien éclairée et dégagée.
- Gardez les étiquettes de sécurité propres et en bon état.
- Portez des lunettes de protection pendant les travaux d'installation ou de maintenance de la pompe.
- La pompe ne doit pas fonctionner à vide. Remplissez-la d'eau avant le démarrage afin d'éviter de l'endommager.
- Assurez-vous que TOUTE L'ALIMENTATION ÉLECTRIQUE EST COUPÉE avant de brancher des fils électriques. Câblez le système de surpression Inline en respectant le voltage approprié. Respectez toutes les directives énoncées dans la section « Câblage » du présent manuel relativement au câblage de la pompe.

# Table des matières

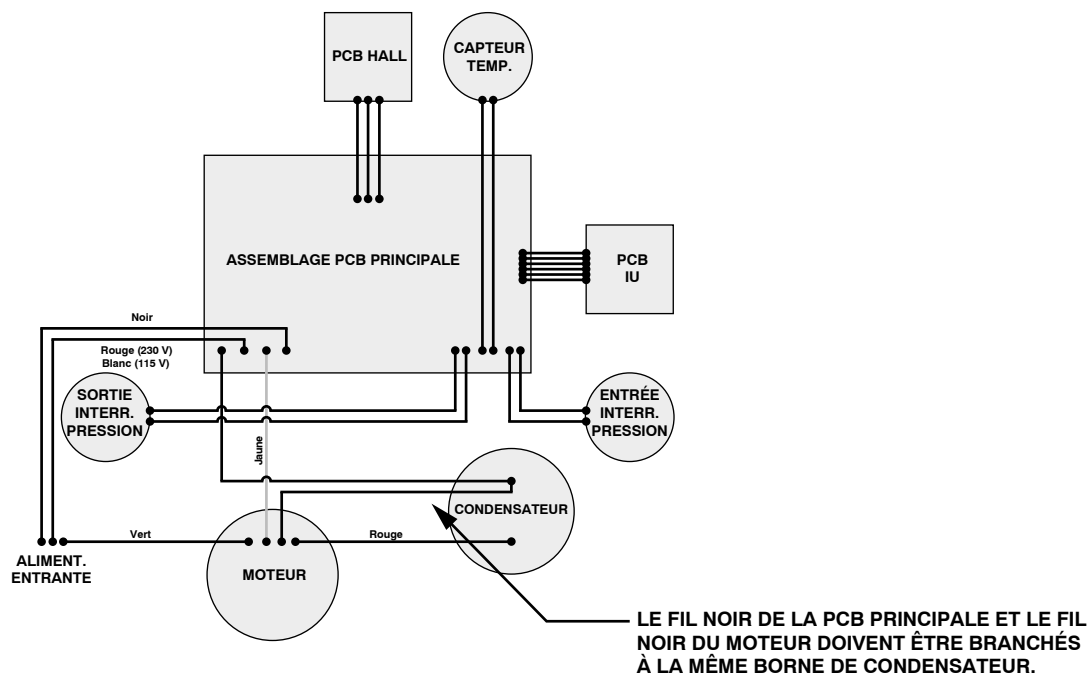
Avant de commencer .....	2
Spécifications .....	4
Composants du système .....	5
Dans la boîte .....	6
Emplacement du système de surpression Inline .....	7
Installation du système de surpression Inline .....	8
Utilisation du système de surpression Inline .....	11
Entretien du système de surpression Inline .....	12
Foire aux questions .....	16
Annexe 1 : Courbe de rendement du système de surpression Inline 400 .....	18
Annexe 2 : Tableaux de perte de charge .....	19
Garantie limitée .....	20

# Systeme de surpression Inline

## Spécifications

	Inline 400	Inline 400	
Numéro de modèle	92061501	92061502	
Entrée de l'alimentation électrique	Voltage (V)	115 V	230 V
	Phase	Monophasé	
	Fréquence	60 Hz	
	Intensité (max.)	6,6 A (RMS)	3,3 A (RMS)
	Puissance (max.)	710 W	710 W
	Taille(s) de calibre de fil	Cordon d'alimentation de calibre 18	
Conditions de fonctionnement	Débit MAX. (GPM)	20	
	Surpression MAX. (psi)	55	
	Pression du système MAX. (psi)	95	
	Niveau sonore (dba)	< 55	
	Connexions de plomberie	NPT 1 po (25,4 mm)	
	Hauteur d'aspiration max. (pi)	5	
	Bouchon de vidange	NPT ¼ po (6,35 mm)	
Type de boîtier	Utilisation intérieure seulement / Boîtier CSA 2		
Dimensions de l'unité	Dimensions extérieures	29,6 po x 8,5 po x 8,9 po (75,2 cm x 21,6 cm x 22,6 cm)	
	Poids net (lb)	35	

## Schéma de câblage interne



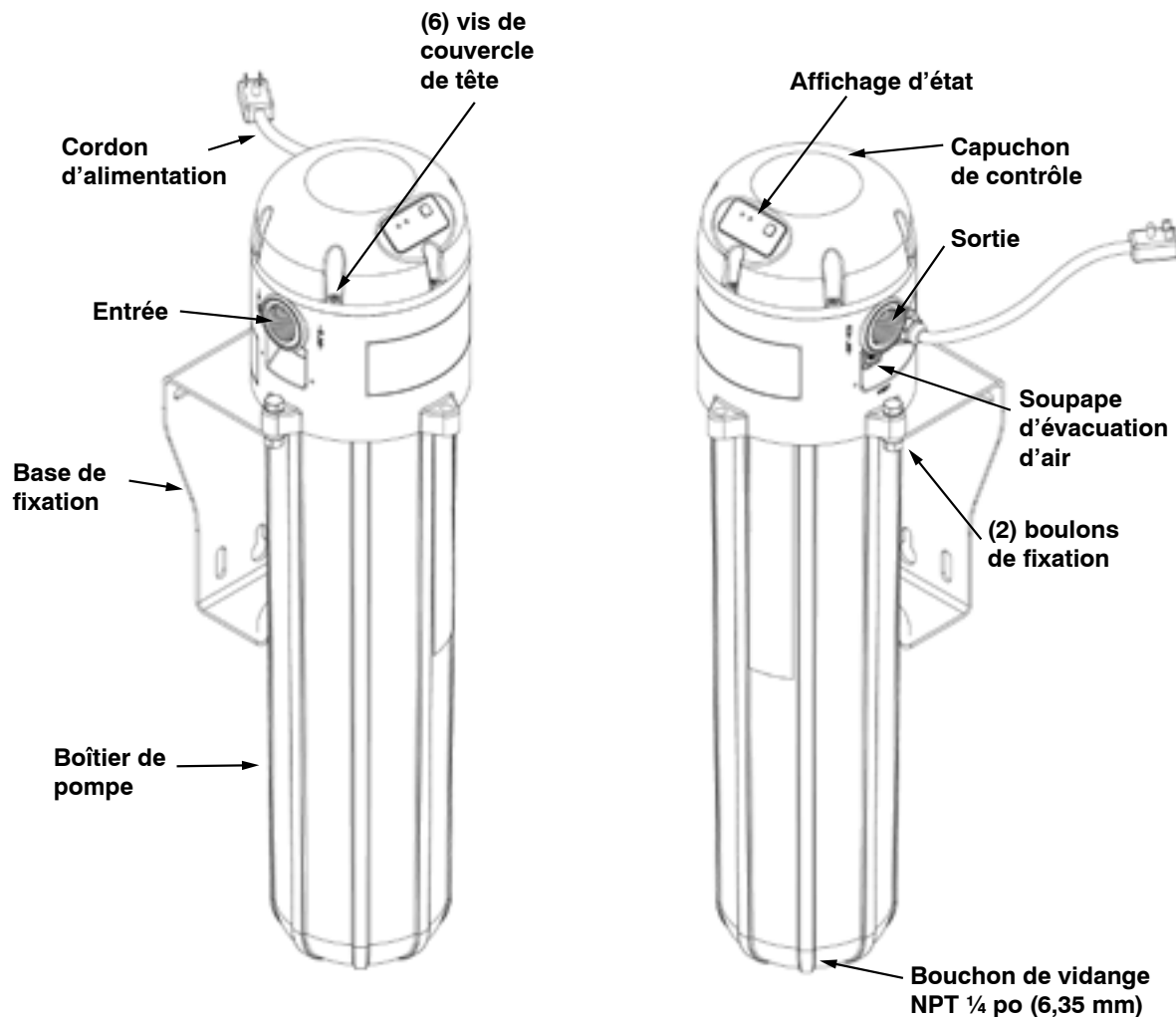
# Système de surpression Inline

## Introduction

L'unité Inline 400 est un système de surpression d'eau simple à utiliser et prêt à l'emploi. Au cœur de ce système de surpression entièrement intégré se trouvent un moteur et une pompe submersible Franklin Electric fiables. La tête de contrôle de l'unité est munie d'un capteur de débit à effet Hall, d'interrupteurs de pression d'entrée/de sortie, d'un interrupteur de surcharge thermique et d'une carte de circuits imprimés durable. Un rendement amélioré offre une polyvalence dans les applications résidentielles et permet une installation facile (fixation verticale ou horizontale), tout en permettant au système de fonctionner avec presque n'importe quelle configuration de plomberie existante. REMARQUE : Le système Inline comporte un boîtier de type 2 conçu uniquement pour une utilisation intérieure.

Le système Inline de Franklin Electric fournit une surpression constante au moyen de composants électroniques avancés, afin d'entraîner et de contrôler une pompe et un moteur standards Franklin Electric en fonction des demandes de surpression de l'application.

## Composants du système



# Systeme de surpression Inline

## Dans la boîte

- A. Systeme de surpression Inline
- B. Manuel d'installation

Tous les systemes de surpression Inline de Franklin Electric sont testés, inspectés et emballés soigneusement afin que vous les receviez en parfait état. À la réception de l'unité, examinez-la attentivement afin de vous assurer qu'elle n'a pas été endommagée pendant l'expédition. Signalez immédiatement tout dommage apparent au transporteur et à votre vendeur. Le transporteur est entièrement responsable de l'arrivée en bon état du matériel. Toute réclamation concernant des dommages visibles ou cachés à la pompe doit d'abord être transmise au transporteur.

## Affichage d'état

### Vert fixe

Indique que le système est sous tension et allumé, mais n'est pas en marche. Le voyant vert fixe ne s'allume que lorsqu'aucune défaillance n'est active.



### Vert clignotant

Indique que la pompe est sous tension, allumée et en marche.

### Rouge fixe

Indique que le contrôle est sous tension, mais est en mode arrêt. Appuyez sur le bouton pour faire passer l'unité en mode marche.



### Rouge clignotant

Indique qu'une DÉFAILLANCE est survenue. L'appareil tentera automatiquement de redémarrer. Si vous devez redémarrer la pompe immédiatement et que la défaillance n'est plus active, vous pouvez appuyer sur ce bouton pour provoquer un redémarrage. Si le problème persiste, communiquez avec un professionnel qualifié dans le domaine de l'eau.

### Bouton

Le bouton sert à allumer et à éteindre l'appareil. Lorsque l'unité est sous tension, mais en mode arrêt (voyant rouge fixe), il suffit d'appuyer sur le bouton pour l'allumer. Si l'unité est sous tension et en mode marche (voyant vert fixe), il suffit alors d'appuyer sur le bouton pour l'éteindre. Vous pouvez également utiliser le bouton pour provoquer un redémarrage de la pompe après une défaillance.

## Emplacement du système de surpression Inline

Déterminez un emplacement approprié pour l'installation de la pompe en fonction du type nominal du boîtier du système de surpression Inline. Optez pour un emplacement propre et bien aéré protégé du gel, des inondations et des grandes chaleurs. En outre, cet endroit doit permettre l'entretien du système et une vidange aisée du boîtier de la pompe, du réservoir et du branchement d'eau. Une fondation préparée n'est pas essentielle dans la mesure où la surface est solide et de niveau.

### **▲ REMARQUE**

Le système de surpression Inline est conçu pour un usage intérieur uniquement.

# Système de surpression Inline

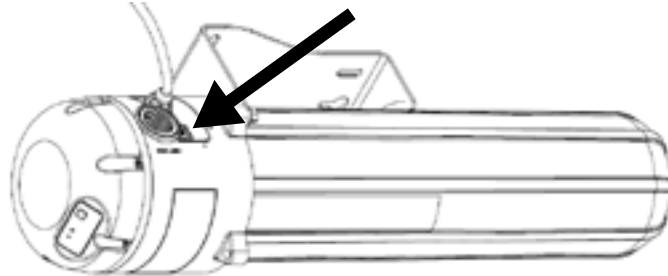
## Installation mécanique

### Emplacement :

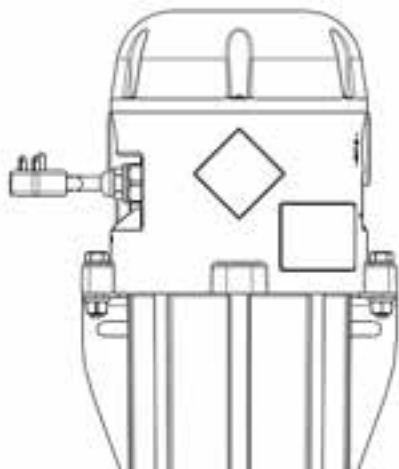
Déterminez un emplacement approprié pour l'installation de la pompe en fonction du type nominal INTÉRIEUR du boîtier du système de surpression Inline. Optez pour un emplacement propre et bien aéré protégé du gel, des inondations et des grandes chaleurs. En outre, cet endroit doit permettre l'entretien du système et une vidange aisée du boîtier de la pompe, du réservoir pressurisé et du branchement d'eau. (REMARQUE : Pour parer au cas peu probable d'une fuite interne, installez la pompe de manière à ce qu'aucun dommage indirect important ne puisse se produire.)

**Orientation de l'installation de l'unité Inline 400 :** (consultez la figure 1 au besoin)

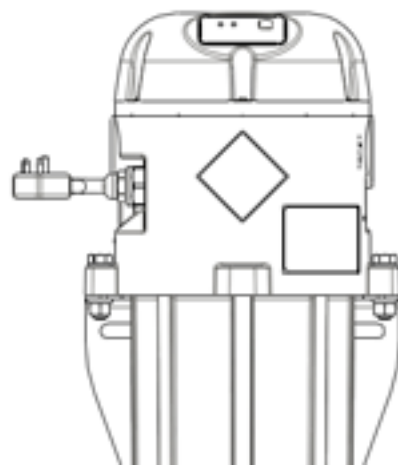
Il est recommandé (pour faciliter l'amorçage) d'installer l'unité Inline 400 dans l'orientation VERTICALE. L'unité, cependant, peut être installée en position HORIZONTALE tant que la soupape d'évacuation d'air est orientée vers le haut.



Dans les installations VERTICALES, l'unité Inline 400 est livrée de série avec une direction de débit allant de GAUCHE à DROITE lorsque fixée verticalement sur un mur. Cette direction de débit peut être facilement changée pour aller de DROITE à GAUCHE en retirant les deux boulons de fixation de la tête, en faisant pivoter la pompe de 180° puis en réinstallant les boulons de fixation de la tête. Il est alors possible de retirer les (6) vis du capuchon de contrôle et de faire pivoter de 180° afin de rendre lisible l'affichage d'état. (Remarque: Faites preuve de prudence en faisant pivoter le capuchon de contrôle, car un câble électrique est fixé à la tête.)



Faites pivoter la pompe au complet pour changer la direction du débit

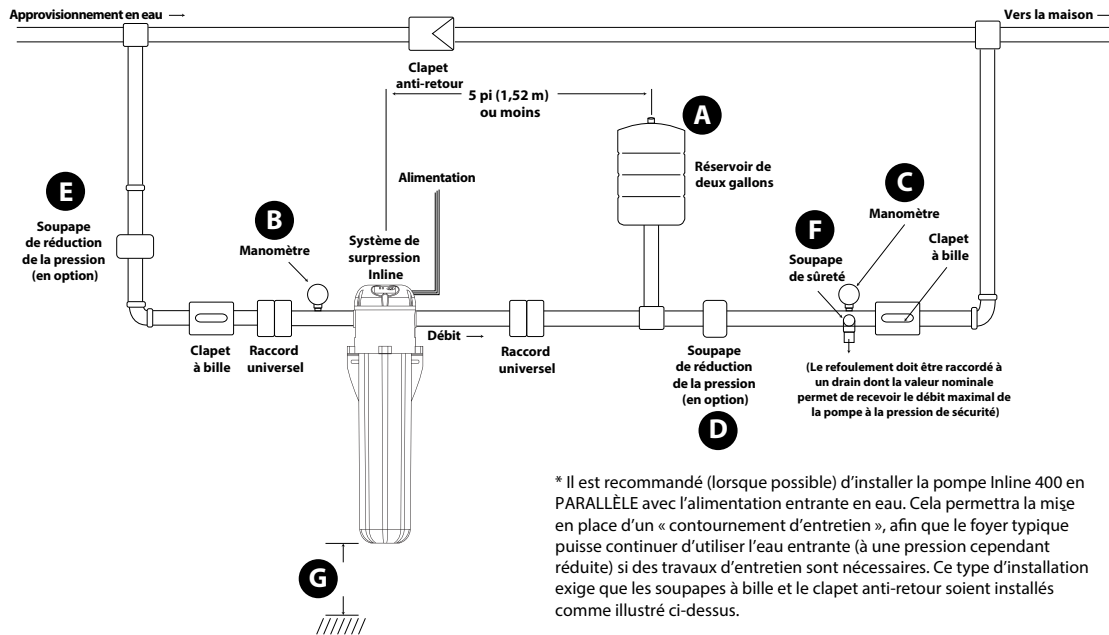


Faites pivoter le capuchon de contrôle pour orienter l'affichage d'état

# Système de surpression Inline

## Installation résidentielle typique de l'unité Inline 400 :

Le système de surpression Inline est conçu pour augmenter la pression utilisable d'un système, tant que l'eau est en circulation. Vous trouverez ci-dessous un schéma des composants « requis » et « recommandés » pour une application typique de surpression.



\* Il est recommandé (lorsque possible) d'installer la pompe Inline 400 en PARALLÈLE avec l'alimentation entrante en eau. Cela permettra la mise en place d'un « contournement d'entretien », afin que le foyer typique puisse continuer d'utiliser l'eau entrante (à une pression cependant réduite) si des travaux d'entretien sont nécessaires. Ce type d'installation exige que les soupapes à bille et le clapet anti-retour soient installés comme illustré ci-dessus.

Figure 1

#	Composant du système	Description
A	Réservoir pressurisé	Un réservoir pressurisé souple est requis (d'une capacité recommandée de 2 gal [7,6 l]) pour un contrôle approprié de l'unité Inline 400. Consultez la section « Foire aux questions » pour plus de détails. Il est important qu'un clapet anti-retour ne soit PAS installé entre la pompe et le réservoir pressurisé.
B	Manomètre d'ENTRÉE	Un manomètre d'ENTRÉE est recommandé à des fins de configuration, d'utilisation et de dépannage du système.
C	Manomètre de SORTIE	Un manomètre de SORTIE est recommandé à des fins de configuration, d'utilisation et de dépannage du système.
D	Soupape de réduction de la pression de sortie (PRV)	Cette unité Inline 400 exercera une surpression en aval égale à 55 psi plus la pression entrante en psi. Si la plomberie de refoulement et les appareils ne sont pas conçus pour ces pressions accrues, il est recommandé d'installer une PRV après le réservoir pressurisé, afin de limiter la pression maximale en aval.
E	Soupape de réduction de la pression d'entrée (PRV)	Cette unité Inline 400 ne fonctionnera pas si la pression entrante d'eau est supérieure à 40 psi. Si l'alimentation entrante est d'une pression supérieure à 40 psi, une PRV peut être installée sur l'entrée.
F	Soupape de sûreté de sortie	Il est recommandé d'installer une soupape de sûreté dans la plomberie de refoulement, afin de protéger les composants en aval des pointes de pression anormales qui peuvent se produire dans certaines applications. Assurez-vous que le refoulement des soupapes est acheminé vers un drain d'une taille appropriée au débit maximal du système de pompe ou de l'alimentation entrante en eau.
G	Dégagement de fixation	Pour faciliter l'entretien, il est recommandé de laisser un dégagement de 20 po (50,8 cm) sous la pompe (pour le retrait du boîtier uniquement). Cela peut être réduit si l'unité est installée avec les deux unions de plomberie illustrées ci-dessus. Cela facilitera le retrait de la pompe complète du système au moment de l'entretien.



# Système de surpression Inline

## **Procédure d'installation de l'unité Inline 400 (plomberie) :**

1. Coupez l'alimentation électrique appropriée du disjoncteur principal.
2. Fermez toutes les soupapes d'alimentation en eau nécessaires pour couper l'alimentation entrante en eau. Vidangez soigneusement l'eau du système de plomberie existant.
3. Installez le système de surpression Inline à l'emplacement souhaité au moyen des vis et des trous de fixation. Les vis de fixation ne sont pas incluses avec le produit. Le système de surpression Inline peut être orienté dans n'importe quelle direction, mais ne doit pas être retourné ou suspendu à partir d'une surface horizontale.
4. Installez la plomberie d'entrée et de sortie et le réservoir pressurisé comme illustré à la figure 1. L'entrée et la sortie de l'unité sont marquées par « INLET » (« ENTRÉE ») et « OUTLET » (« SORTIE »), respectivement. Les unions devraient être installées sur les extrémités d'aspiration et de refoulement de la pompe (l'utilisation d'un ruban scellant pour filetage PTFE plutôt qu'une pâte est recommandée; ne serrez pas excessivement). Des clapets anti-retour internes sont fournis sur les extrémités d'aspiration et de refoulement de la pompe. Ces clapets peuvent aider à prévenir le reflux. Si vous utilisez le contournement facultatif, vous devriez préalablement installer un clapet anti-retour dans le contournement (consultez la figure 1). Assurez-vous de consulter tous les codes de plomberie locaux afin de veiller au respect de toutes les exigences relatives à la prévention des reflux.
5. Installez un manomètre sur les tuyaux d'entrée et de sortie. Cela est requis afin de régler le système de manière appropriée et de faciliter le dépannage du système.
6. Installez le réservoir pressurisé en aval de la pompe. Il devrait être situé dans un rayon de 5 pi (1,52 m) du refoulement de la pompe. Il ne doit pas y avoir de clapet anti-retour ou de soupape de contrôle entre le réservoir pressurisé et le système de surpression Inline.
7. Installez une soupape de sûreté en aval du clapet anti-retour. Le refoulement doit être raccordé à un drain dont la valeur nominale permet de recevoir le débit maximal de la pompe lorsque cette dernière est réglée pour dégager la pression.

## **⚠ AVERTISSEMENT**

Le système de surpression Inline peut générer une pression très élevée dans certaines situations.

Veillez à installer une soupape de sûreté pouvant soutenir un plein débit à une pression de 120 psi (6,9 bars) Installez la soupape de sûreté à proximité du réservoir pressurisé.

Il peut être nécessaire d'installer une soupape réductrice de pression afin de limiter la surpression potentielle. Installez la soupape réductrice de pression après le réservoir pressurisé.

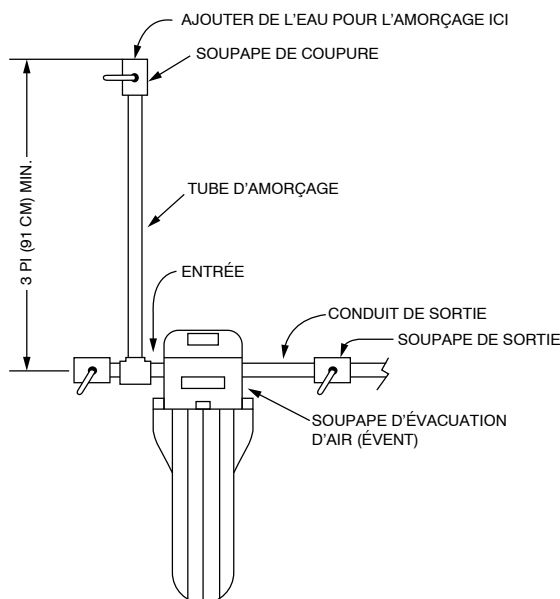
## **Procédure d'installation de l'unité Inline 400 (électrique) :**

1. Faites appel à un électricien agréé pour réaliser le câblage. Tous les raccordements doivent être effectués conformément aux codes de l'électricité nationaux et locaux applicables.
2. Coupez le courant du disjoncteur principal.
3. Assurez-vous que le circuit de dérivation indépendant du système de surpression Inline est équipé d'un disjoncteur de 15 A.
4. Vérifiez que l'alimentation en électricité correspond à la capacité nominale du système de surpression Inline faisant l'objet de l'installation. La tension d'alimentation doit correspondre à plus ou moins 10 % à celle inscrite sur la plaque signalétique du système.
5. Chaque installation doit être mise à la terre. Un conducteur de mise à la terre fiable doit relier la pompe et le panneau de distribution.
6. Toutes les connexions internes du système de surpression Inline sont déjà câblées.
7. Votre unité doit être branchée dans une prise de courant appropriée.

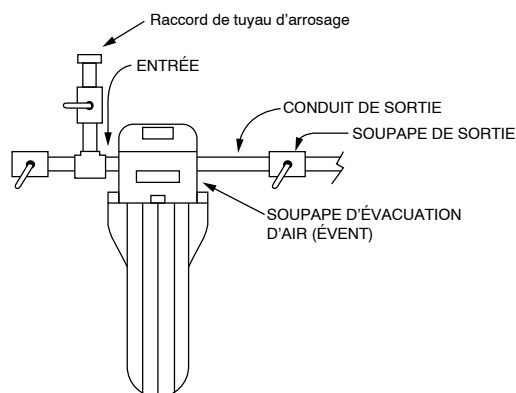
# Systeme de surpression Inline

## Considérations sur la plomberie à des fins d'amorçage :

L'unité Inline 400 doit être amorcée avec de l'eau avant de pouvoir fonctionner de manière appropriée. Il y a deux clapets anti-retour internes intégrés à la tête de l'unité, qui doivent s'ouvrir pendant l'amorçage. Cela exige que l'eau d'amorçage ait une pression entrante d'au moins 1,5 psi. Cela est particulièrement important si l'application inclut le fait de sortir sous surpression de l'eau hors d'une citerne peu profonde. Il y a deux moyens simples d'accomplir cela dans la plomberie d'aspiration.



**AMORÇAGE :** Une pression de 1,5 psi peut être atteinte à l'entrée en versant de l'eau au travers d'une colonne verticale d'eau de 3 pi (91,4 cm). Assurez-vous de garder la soupape d'entrée fermée et d'ouvrir la soupape d'évacuation d'air jusqu'à ce que l'air soit entièrement purgé de l'unité.



**AMORÇAGE :** Un débit ou une pression d'entrée adéquats peuvent être atteints à l'entrée en connectant un tuyau d'arrosage à un raccord sur le côté entrée de la pompe. Assurez-vous de garder la soupape d'entrée fermée, d'activer l'alimentation en eau et d'ouvrir la soupape d'évacuation d'air jusqu'à ce que l'air soit entièrement purgé de l'unité.

## Amorçage de l'unité Inline 400 :

Ne faites jamais fonctionner la pompe à vide. Remplissez le tuyau d'aspiration, le boîtier de la pompe et la tuyauterie de refoulement avec de l'eau. Une installation typique sera alimentée par un réservoir ou une source d'eau pressurisée, créant ainsi ce que l'on appelle un état d'aspiration immergée

Alors que l'unité est complètement raccordée au système, ouvrez la soupape d'alimentation en eau et laissez l'eau sous pression s'écouler au travers de l'unité. Placez un petit seau sous le réservoir de l'unité Inline afin de recueillir l'eau qui est évacuée par l'évacuation d'air pendant l'amorçage. Au moyen d'un petit tournevis à tête plate, ouvrez lentement la soupape d'évacuation d'air (située directement sous la sortie) afin de permettre à l'air de sortir du réservoir et de la pompe interne. Lorsque la soupape cesse de crachoter et que seul un mince filet d'eau en sort, fermez la soupape d'évacuation d'air. L'unité est alors amorcée et prête à être utilisée.

# Système de surpression Inline

## Utilisation de l'unité Inline 400 :

Le système doit être purgé de tout son air. Une soupape d'évacuation de l'air est déjà installée sur le système de surpression Inline afin de faciliter l'évacuation de l'air.

1. Fermez toutes les sorties du système, puis ouvrez la soupape d'évacuation d'air.
2. Ouvrez toutes les soupapes d'entrée pour permettre à l'alimentation en eau d'entrer dans la pompe. Préparez-vous à ce qu'un mélange d'air et d'eau soit refoulé par la soupape. Il peut être utile d'avoir un petit seau pour recueillir l'eau évacuée.
3. Fermez la soupape d'évacuation de l'air une fois que l'air est sorti du système (cela est indiqué par un petit filet constant d'eau qui sort de la soupape d'évacuation).
4. Une fois que l'air a été évacué du système, ouvrez légèrement une soupape de sortie du système. Démarrez la pompe en appuyant sur le bouton. Elle sera alors en mode automatique.
5. Ouvrez immédiatement à moitié une soupape de refoulement. Si de l'eau sous pression ne s'écoule toujours pas après quelques minutes de fonctionnement, répétez le processus d'amorçage comme expliqué ci-dessus. REMARQUE : Si l'unité ne s'amorce pas après 10 secondes, la pompe s'arrêtera et le voyant ROUGE clignotera sur l'affichage. Cela est causé par une condition d'erreur de SOUS-CHARGE, dans laquelle la pompe ne reçoit pas encore une charge qui indique que de l'eau est pompée. Appuyez simplement à nouveau sur le bouton de démarrage, afin de permettre à la pompe de fonctionner pendant encore 10 secondes pour l'amorçage. RÉPÉTEZ cela au besoin.
6. Une fois la pompe en marche, ouvrez complètement la soupape de refoulement en laissant la pompe fonctionner jusqu'à ce que de l'eau claire s'écoule. Aucun amorçage supplémentaire ne devrait être nécessaire, sauf en cas de vidange de la pompe ou de fuite dans la plomberie d'aspiration.

REMARQUE : **N'OUVREZ JAMAIS LA SOUPAPE D'ÉVACUATION ALORS QUE LA POMPE FONCTIONNE**, car cela peut permettre à de l'air d'ENTRER dans la pompe plutôt que de sortir du système.

## Effets de fuites du système :

Des systèmes d'eau avec fuites peuvent faire fonctionner le système de surpression Inline plus que prévu. Cela est causé par le démarrage de l'unité lorsque la pression de sortie baisse sous la pression prédéfinie de refoulement (réglée en usine à 40 psi). Un fonctionnement continu ou des démarrages et arrêts fréquents n'endommagent pas le contrôleur, la pompe ou le moteur. Vous devriez tout de même régler le problème, si possible, afin d'éviter une augmentation de la consommation d'électricité du système.

## Paramétrage/réglage fin du rendement de l'unité Inline 400 :

Lorsqu'installé correctement avec un réservoir pressurisé externe (une capacité de 2 gal [7,6 l] est recommandée) il est possible de régler la pression d'ACTIVATION de la pompe de l'unité Inline 400.

**⚠ AVERTISSEMENT** Débranchez l'alimentation électrique de l'unité avant de tenter de retirer le capuchon de contrôle et de régler l'interrupteur de pression de refoulement.

La pompe Inline 400 est réglée en usine pour démarrer la surpression (activer la pompe) lorsque la pression de refoulement baisse sous 40 psi. Dans certaines applications, il peut être souhaitable de régler ce paramètre à une valeur plus élevée ou plus faible. Consultez l'exemple ci-dessous :

Dans cet exemple, une résidence est alimentée en eau pressurisée provenant du réseau municipal local, qui fluctue entre 30 psi MAX. et 25 psi MIN. Comme expliqué ci-dessus, l'unité Inline 400 ajoute 55 psi à la pression entrante d'eau.

La pression totale maximale en aval est de 30 psi + 55 psi = 85 psi

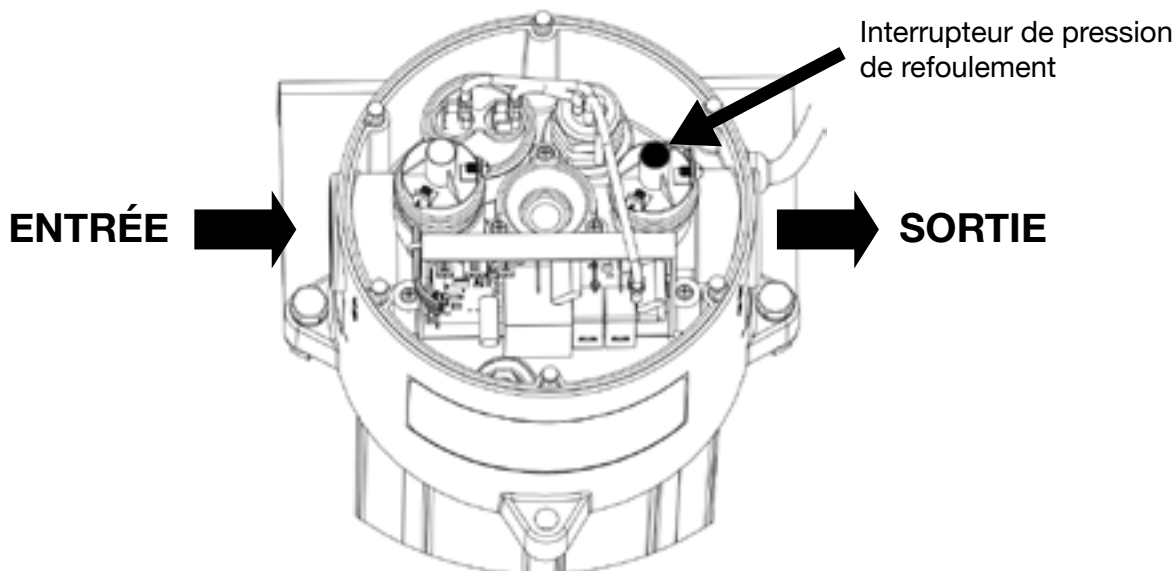
La pression totale minimale en aval est de 25 psi + 55 psi = 80 psi

## Systeme de surpression Inline

Cet état entraîne une baisse de pression de 80 ou 85 psi jusqu'à 40 psi avant que la pompe ne s'active initialement (cette BAISSÉ est causée par l'eau stockée qui est purgée du réservoir pressurisé). Si l'installateur désire changer cela d'une baisse de 80 à 40 psi à une baisse de 80 à 50 psi, l'interrupteur de pression de refoulement peut être réglé pour activer la pompe lorsque la pression de refoulement atteint 50 psi. Suivez ces étapes :

1. Déconnectez l'unité de l'alimentation entrante.
2. Retirez les (6) vis du capuchon de contrôle puis enlevez ce dernier. (Remarque : Faites preuve de prudence en enlevant le capuchon de contrôle, car un câble électrique est fixé à la tête.)
3. Au moyen d'une clé hexagonale de 7/32 po (5,56 mm), tournez la vis de l'interrupteur de pression de refoulement interne d'un tour complet dans le sens horaire. Cela devrait accroître la pression de coupure de l'interrupteur de 10-12 psi.
4. Remplacez le capuchon de contrôle et réinstallez les (6) vis.
5. Réglez le réservoir pressurisé à 48 psi (il doit toujours être inférieur de 2 psi à la pression d'activation)

**REMARQUE :** Ne réglez JAMAIS l'interrupteur de pression de refoulement à un réglage SUPÉRIEUR à la SOMME de votre pression entrante minimale + 40 psi, car cela pourrait causer une défaillance (clignotement ROUGE).



### Entretien de l'unité Inline 400 :

#### **⚠ AVERTISSEMENT**

Débranchez l'alimentation électrique de l'unité avant d'effectuer ces fonctions d'entretien. Toutes les fonctions d'entretien doivent être effectuées par un professionnel d'entretien qualifié.

#### **Purge du système :**

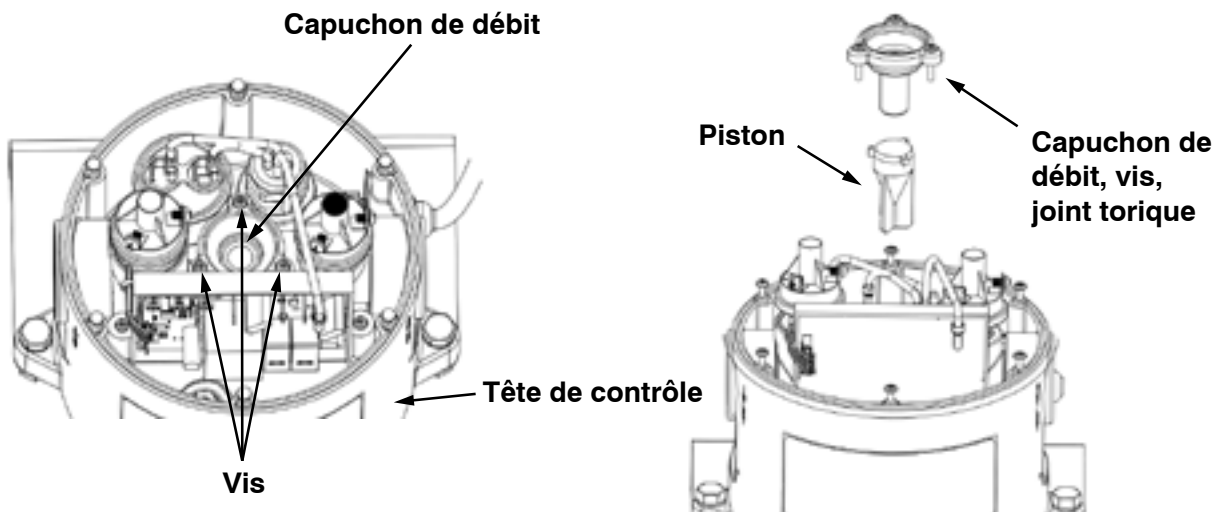
La déconnexion de la pompe ne purge pas nécessairement les autres parties du système de tuyauterie. Si vous avez des préoccupations au sujet de la procédure appropriée ou du besoin de purger la plomberie d'aspiration, communiquez avec un professionnel en systèmes d'eau. Tous les systèmes Inline, toute la tuyauterie et tous les réservoirs d'eau exposés au gel doivent être vidangés à un moment opportun. Un bouchon de vidange au bas de l'unité peut être utilisé pour purger le système désactivé. Si vous avez des doutes concernant la procédure à suivre pour vidanger le réservoir pressurisé du système, contactez le fabricant du réservoir pour obtenir de l'aide.

# Système de surpression Inline

## Nettoyage de l'interrupteur de débit :

Dans certains cas, il se peut que l'interrupteur de débit devienne obstrué par des dépôts minéraux ou bouché par des débris. Le cas échéant, nettoyez-le en respectant la marche à suivre suivante :

1. Déconnectez l'unité de l'alimentation entrante.
2. Il se peut que le système soit sous pression. Ainsi, fermez les soupapes d'entrée et de sortie et purgez toute l'eau sous pression du système avant de commencer les travaux d'entretien de l'interrupteur de débit.
3. Retirez les (6) vis du capuchon de contrôle puis enlevez ce dernier. (Remarque : Faites preuve de prudence en enlevant le capuchon de contrôle, car un câble électrique est fixé à la tête.)
4. Retirez les trois vis Phillips qui maintiennent le capuchon de débit en place.
5. Retirez le capuchon de contrôle de débit. Le joint torique peut s'enlever en même temps que le capuchon ou rester dans la tête. Retirez le joint torique et assurez-vous qu'il est exempt de débris. Replacez-le au fond du capuchon de débit.
6. Au moyen d'un petit objet en métal, comme un tournevis ou un tourne-écrou, extrayez le piston magnétique régulateur de débit de la cavité. (Il est magnétisé et collera donc à l'objet métallique.)
7. Nettoyez le piston magnétique régulateur de débit au moyen d'un linge.
8. Nettoyez tous les débris ou résidus de la tête, à l'endroit où le piston est inséré.
9. Replacez le piston dans la tête. Appuyez fermement sur le capuchon de débit, sans le joint torique, pour l'insérer dans la tête. Serrez les (3) vis à un couple de 15 po-lb (ne serrez pas de manière excessive)
10. Replacez le capuchon de contrôle et serrez les (6) vis à un couple de 15 po-lb.
11. Recalibrez la tête de contrôle (consultez la page 14)



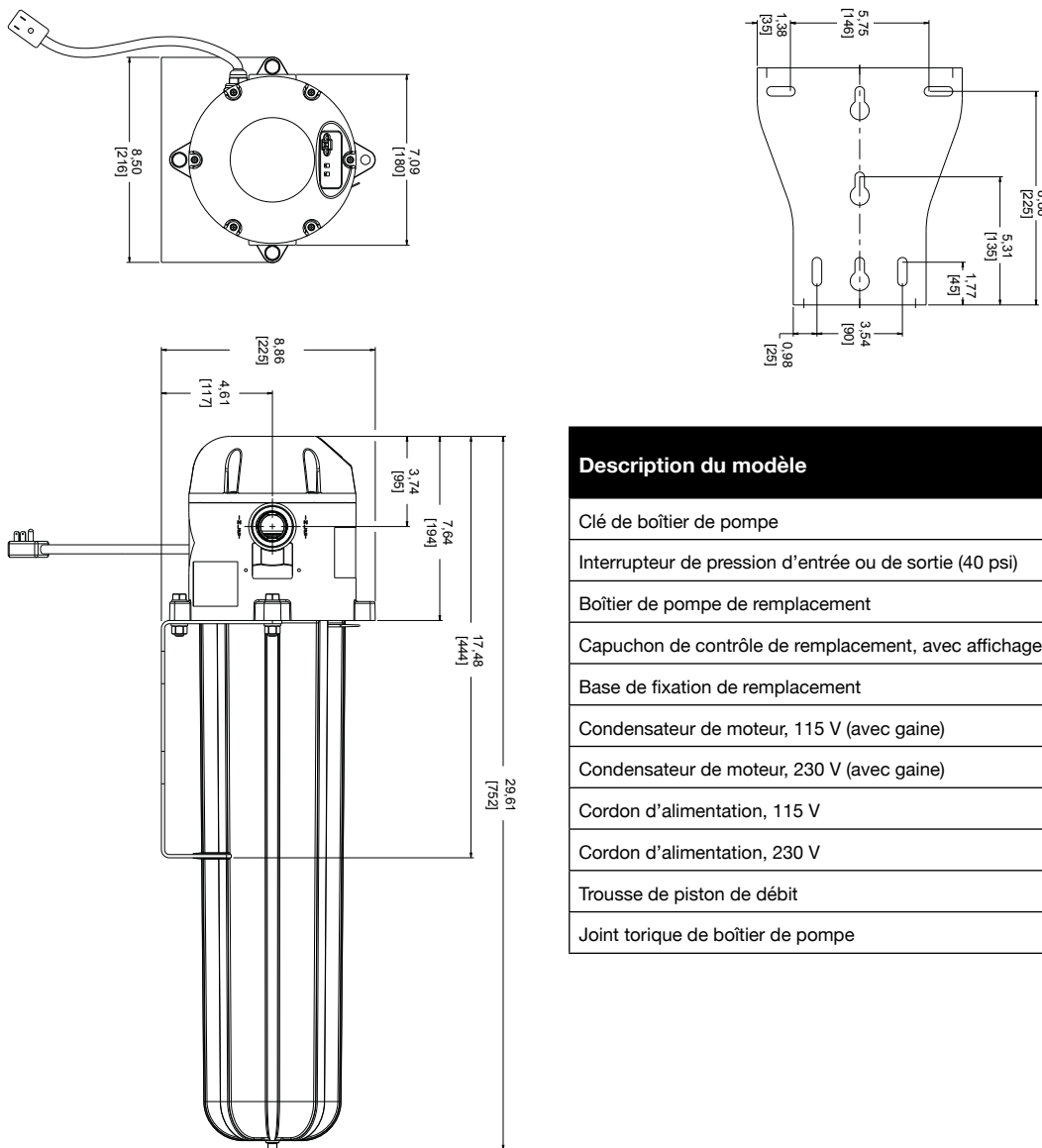
# Systeme de surpression Inline

## Recalibration de la tete de controle :

À certains moments, particulièrement après l'entretien, l'unité Inline 400 doit être recalibrée. Cela est nécessaire afin de rétablir un point de référence pour l'indication du débit. Suivez ces procédures pour la calibration du débit sur le terrain :

1. Avant d'allumer l'unité, assurez-vous qu'il n'y a aucun débit d'eau dans le système. Cela vous assurera que le piston de débit est en position pleinement au repos (aucun débit).
2. En tenant enfoncé le bouton-poussoir sur l'affichage d'état, branchez le cordon d'alimentation de l'unité dans la prise (ou activez le disjoncteur si l'unité est câblée de manière permanente). Maintenez la pression sur le bouton pendant cinq secondes, jusqu'à ce que les voyants à DEL vert et rouge clignotent; cela signifie que la calibration est terminée. Relâchez le bouton et les voyants devraient s'allumer en continu, indiquant ainsi la réussite de la calibration.
3. Ouvrez les soupapes/robinets pour démarrer le débit et confirmez que l'unité fonctionne correctement.

## Dimensions hors tout de l'unité Inline 400 :



Description du modèle	N° de commande
Clé de boîtier de pompe	305572001
Interrupteur de pression d'entrée ou de sortie (40 psi)	305572007
Boîtier de pompe de remplacement	305572009
Capuchon de contrôle de remplacement, avec affichage	305572010
Base de fixation de remplacement	305572011
Condensateur de moteur, 115 V (avec gaine)	305572012
Condensateur de moteur, 230 V (avec gaine)	305572013
Cordon d'alimentation, 115 V	305572014
Cordon d'alimentation, 230 V	305572015
Trousse de piston de débit	305572016
Joint torique de boîtier de pompe	305572017

# Systeme de surpression Inline

## Guide de dépannage de l'unité Inline 400

Condition	Voyants lumineux	Cause possible	Mesure corrective
L'unité ne s'allume pas; aucune DEL VERTE ou ROUGE allumée sur le capuchon de contrôle	Aucun	Disjoncteur déclenché ou désactivé	Activez le disjoncteur
	Aucun	Disjoncteur déclenché ou désactivé	Consultez un électricien certifié pour câbler la prise de manière appropriée
L'unité fonctionne brièvement, ne génère pas de pression puis s'éteint	Clignotement vert (10 s) puis clignotement ROUGE	Eau insuffisante	Vérifiez l'alimentation en eau et les soupapes
	Clignotement vert (10 s) puis clignotement ROUGE	Unité amorcée de manière insuffisante	Consultez le manuel du propriétaire à la section pour la technique appropriée d'amorçage
	Clignotement vert (10 s) puis clignotement ROUGE	Fonctionnement à sec	Vérifiez l'alimentation en eau et les soupapes
L'unité ne démarre pas en réponse à une demande d'eau	Vert fixe	Pression d'eau d'entrée au-dessus de 40 psi	Installez une soupape réductrice de pression sur l'entrée, afin de réduire la pression d'entrée
L'unité s'allume et s'éteint en cycle (cycle rapide)	Vert clignotant	Pression de charge inappropriée dans le réservoir	Réglez la pression dans le réservoir pressurisé à 2 psi de moins que la pression d'activation
	Vert clignotant	Clapet anti-retour entre le réservoir et l'unité	Placez le clapet anti-retour après le réservoir pressurisé
L'unité ne démarre pas	ROUGE fixe	L'unité est fermée	Appuyez sur le bouton d'alimentation sur l'interface utilisateur
	ROUGE clignotant	Surtension (le voltage d'entrée est supérieur à +10 %)	Vérifiez le voltage d'alimentation et corrigez-le si possible
	ROUGE clignotant	Sous-tension (le voltage d'entrée est inférieur à -10 %)	Vérifiez le voltage d'alimentation et corrigez-le si possible
	ROUGE clignotant	Surchauffe en raison d'une température excessive de l'eau	Alimentez la pompe en eau froide
	ROUGE clignotant	Pompe en condition d'alarme	Réinitialisez la pompe en appuyant sur le bouton d'alimentation
L'unité fonctionne ou cycle continuellement	Vert clignotant	Fuite/utilisation au-dessus de ½ GPM dans la plomberie du système	Réparez la plomberie qui fuit
	Vert clignotant	Un clapet anti-retour interne est bloqué/ endommagé	Placez un nouveau clapet anti-retour avant l'unité dans la plomberie d'ENTRÉE
	Vert clignotant	Un piston de débit interne est coincé en position ouverte	Nettoyez le piston de débit (consultez la page 14)

**REMARQUE :** Le moteur dans cette unité comporte une protection thermique qui réagit au courant du moteur et à la chaleur du bobinage du moteur et de la température ambiante. Lorsque la combinaison de courant et de chaleur dépasse un point prédéterminé, le protecteur s'ouvre et coupe le circuit. Lorsque la température du bobinage revient à un niveau plus près de la normale, le protecteur se réinitialise automatiquement.

# Systeme de surpression Inline

## Foire aux questions

### Qu'est-ce qui cause la surpression de l'unité Inline?

L'unité Inline est munie d'un capteur de débit et d'interrupteurs doubles de pression. Elle s'allumera lorsque :

- La pression de refoulement baisse sous 40 psi ou
- La pression de refoulement est égale à la pression d'entrée

Cette logique de démarrage permet le refoulement complet du réservoir pressurisé avant le démarrage de l'unité du système Inline. Cela réduit la consommation d'énergie et augmente la durée de vie du produit en permettant de petites utilisations ou fuites d'eau intermittentes.

### Qu'est-ce qui cause la fin de la surpression du système Inline?

Le système Inline cesse la surpression lorsque la demande en eau baisse sous le débit de ½ GPM (la pompe s'éteint 10 s après l'arrêt du débit). L'unité peut également être fermée manuellement pendant son fonctionnement normal, en appuyant sur le bouton sur le capuchon de l'unité.

### Quelle protection interne du système est offerte par l'unité Inline?

Le système Inline surveille plusieurs fonctions différentes afin de protéger l'unité si l'une des conditions suivantes se produit pendant le fonctionnement normal :

- Surtension (+10 % de la valeur nominale)
- Sous-tension (-10 % de la valeur nominale)
- Fonctionnement à sec (c.-à-d. lorsque le moteur fonctionne, mais qu'aucune pression n'est créée)
- Surchauffe (température de l'eau interne supérieure à 120 °F [49 °C])

Il s'agit aussi de défaillances de l'unité Inline 400, indiquées par un voyant clignotant rouge sur le capuchon de contrôle.

### Quel est le rôle du réservoir pressurisé?

Le réservoir pressurisé remplit deux rôles.

1. Il permet l'utilisation de petits volumes d'eau sans démarrage de l'unité Inline.
2. Il ajoute un tampon de pression au système afin d'absorber les pointes ou fluctuations indésirables de pression.

Il est recommandé que le réservoir soit chargé à 38 psi au moment de l'installation.

### Quelle est la pression maximale d'entrée?

La pression nominale maximale interne de l'unité Inline est de 100 psi. Ainsi, la somme de la pression maximale d'entrée et de la pression maximale de pompe Inline (consultez le tableau de rendement) ne doit pas dépasser 100 psi. L'unité Inline est munie d'un interrupteur de pression interne qui empêche le démarrage de l'unité lorsque la pression d'entrée dépasse 40 psi avant ou pendant le fonctionnement désiré. Exemple : Si vous désirez utiliser cette surpression dans une application avec une pression entrante de 45 psi, il est recommandé d'installer une soupape de réduction de la pression (PRV) sur le côté entrée de l'unité. La PRV est utilisée pour maintenir une pression constante sous la pression d'activation; elle peut être utilisée pour limiter la pression maximale créée.



# Système de surpression Inline

## **Quelle est la pression maximale de sortie?**

L'unité Inline maintiendra une pression du système « ZÉRO DÉBIT » égale à la somme de la pression entrante (psi) et de la pression de coupure de la courbe de fonctionnement de la pompe. Par exemple, si la pression d'entrée est de 38 psi, le système ajoutera au moment de la coupure une pression additionnelle de 55 psi. Cela signifie que TOUTE la plomberie en aval de l'unité Inline sera soumise à une pression maintenue de 93 psi (38 + 55). Si cette pression élevée est indésirable en raison de l'état ou de la configuration de la plomberie ou des appareils en place, il est recommandé d'installer une PRV sur le refoulement de l'unité Inline afin de limiter la pression maximale distribuée.

## **Quelle est la température maximale de fonctionnement de l'unité Inline?**

L'unité Inline est munie de deux capteurs de température. Un capteur est intégré au moteur afin de protéger les bobinages de ce dernier. L'autre capteur est installé dans la tête de contrôle et surveille la température interne de l'eau. Dans les deux cas, l'unité connaîtra une défaillance à une température maximale de 120 °F (49 °C) et redémarrera lorsque la température baissera sous 95 °F (35 °C).

## **Est-ce que l'unité Inline doit être installée en position verticale?**

L'unité Inline peut être installée en position horizontale, pourvu que l'orifice de refoulement soit dirigé vers le haut. Cette orientation place la soupape d'évacuation d'air vers le haut, ce qui lui permet de fonctionner correctement pendant l'amorçage initial de la pompe.

## **Comment amorce-t-on le système Inline?**

L'unité Inline doit être amorcée de manière appropriée avant son fonctionnement initial (avant que l'unité ne soit branchée). Puisque deux clapets anti-retour à ressort sont intégrés à la tête Inline, une petite pression d'eau positive (1,5 psi) est requise pour ouvrir ces clapets et amorcer correctement l'unité.

Alors que l'unité est complètement raccordée au système, ouvrez la soupape d'alimentation en eau et laissez l'eau sous pression s'écouler au travers de l'unité. Il est recommandé de placer un petit seau sous le réservoir de l'unité Inline afin de recueillir l'eau qui est évacuée par l'unité pendant l'amorçage. Au moyen d'un petit tournevis à tête plate, ouvrez lentement la soupape d'évacuation d'air (située directement sous la sortie) afin de permettre à l'air de sortir du réservoir et de la pompe interne. Lorsque la soupape cesse de crachoter et que seul un mince filet d'eau en sort, fermez la soupape d'évacuation d'air. L'unité est alors amorcée et prête à être utilisée.

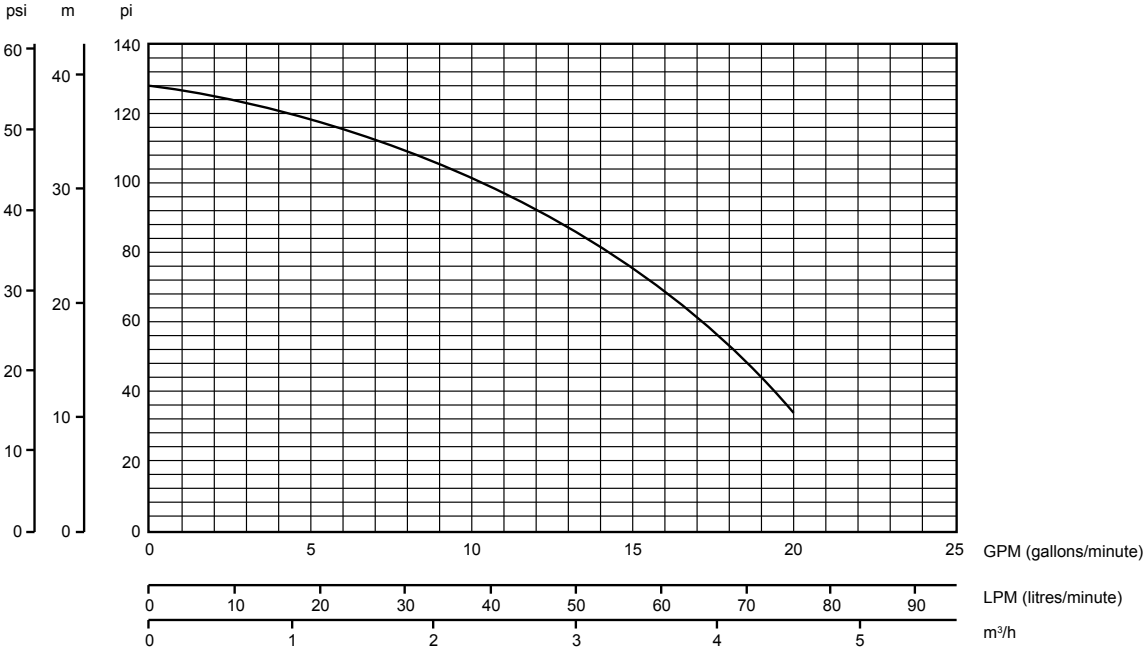
**Remarque : N'ouvrez pas la soupape d'évacuation d'air pendant que la pompe fonctionne.**

## **Le système Inline peut-il être utilisé dans des applications avec une hauteur d'aspiration?**

Il n'est pas recommandé d'utiliser l'unité Inline dans des applications avec une hauteur d'aspiration de plus de 5 pi (152 cm). Une source secondaire d'eau sous pression (p. ex., tuyau avec eau de la ville ou tuyau élévateur de 3 pi [91 cm]) peut être nécessaire afin de fournir un amorçage adéquatement pressurisé, comme décrit ci-dessus.

# Systeme de surpression Inline

## Annexe 1 : Courbe de rendement du système de surpression Inline



# Système de surpression Inline

## Annexe 2 : Tableaux de perte de charge

### Tuyau de ¾ po (19,1 mm)

Débit GPM (gallons/minute)	Vitesse pi/s	Perte de charge en pieds/100 pi (30,48 m) de tuyau		Vitesse pi/s	Perte de charge en pieds/100 pi (30,48 m) de tuyau
		Acier (C = 100)	PVC (C = 140)		Cuivre (C = 130)
2	1,20	1,93	1,03	1,33	1,50
3	1,80	4,09	2,19	1,99	3,18
4	2,41	6,96	3,73	2,65	5,42
5	3,01	10,53	5,64	3,31	8,20
6	3,61	14,75	7,91	3,98	11,49
7	4,21	19,63	10,53	4,64	15,29
8	4,81	25,13	13,48	5,30	19,57
9	5,41	31,26	16,76	5,97	24,35
10	6,02	38,00	20,38	6,63	29,59

### Tuyau de 1 po (25,4 mm)

Débit GPM (gallons/minute)	Vitesse pi/s	Perte de charge en pieds/100 pi (30,48 m) de tuyau		Vitesse pi/s	Perte de charge en pieds/100 pi (30,48 m) de tuyau
		Acier (C = 100)	PVC (C = 140)		Cuivre (C = 130)
2	0,74	0,60	0,32	0,78	0,41
4	1,48	2,15	1,15	1,56	1,48
6	2,23	4,56	2,44	2,33	3,14
8	2,97	7,76	4,16	3,11	5,35
10	3,71	11,74	6,29	3,89	8,08
12	4,45	16,45	8,82	4,67	11,33
14	5,20	21,89	11,74	5,44	15,07
16	5,94	28,03	15,03	6,22	19,30
18	6,68	34,86	18,70	7,00	24,00

### Tuyau de 1¼ po (31,8 mm)

Débit GPM (gallons/minute)	Vitesse pi/s	Perte de charge en pieds/100 pi (30,48 m) de tuyau		Vitesse pi/s	Perte de charge en pieds/100 pi (30,48 m) de tuyau
		Acier (C = 100)	PVC (C = 140)		Cuivre (C = 130)
4	0,86	0,57	0,30	1,02	0,53
6	1,29	1,20	0,64	1,53	1,13
8	1,72	2,04	1,10	2,04	1,92
10	2,15	3,09	1,66	2,55	2,90
12	2,57	4,33	2,32	3,06	4,07
14	3,00	5,76	3,09	3,57	5,41
16	3,43	7,38	3,96	4,08	6,93
18	3,86	9,18	4,92	4,59	8,62
20	4,29	11,16	5,98	5,11	10,48
25	5,36	16,87	9,05	6,38	15,85

Remarque : Les tableaux montrent la perte de charge par 100 pi (30,5 m) de tuyau. Pour convertir la valeur en perte de charge par pied, déplacez le signe décimal de deux chiffres vers la gauche.

# GARANTIE LIMITÉE\*

## CETTE GARANTIE ÉNONCE LES SEULES OBLIGATIONS DE L'ENTREPRISE ET LES RECOURS EXCLUSIFS DE L'ACHETEUR EN CAS DE PRODUIT DÉFECTUEUX.

Franklin Electric Company, Inc. et ses filiales (ci-après « l'Entreprise ») garantit que les produits accompagnés de cette garantie sont exempts de défauts quant aux matériaux ou à la main-d'œuvre par l'Entreprise.

L'Entreprise a le droit d'inspecter tout produit retourné sous garantie pour confirmer qu'il présente un défaut de matériau ou de main-d'œuvre. Elle a le droit exclusif de choisir de réparer ou de remplacer le matériel, les pièces ou les composants défectueux.

L'acheteur doit retourner le produit à un point de distribution Franklin Electric autorisé pour examen. Si le retour est effectué au point d'achat, la couverture de la garantie ne sera prise en considération que si le lieu de vente en question est un distributeur Franklin Electric autorisé au moment de la réclamation. Sous réserve des conditions générales énoncées ci-dessous, l'Entreprise s'engage à réparer ou à remplacer toute partie du produit retourné par l'acheteur qui s'avère défectueuse en raison des matériaux ou de la main-d'œuvre provenant de l'Entreprise.

L'Entreprise n'envisagera l'application de la garantie que dans les 12 mois suivant la date d'installation du produit ou dans les 24 mois suivant sa fabrication, selon la première éventualité.

L'Entreprise ne pourra EN AUCUN CAS être tenue responsable du coût de la main-d'œuvre ou d'autres frais engagés par un client pour retirer ou fixer un produit, ou quelconque pièce ou composant qui le constitue.

L'Entreprise se réserve le droit de modifier ou d'améliorer ses produits ou toute partie de ceux-ci sans être obligée de fournir une telle modification ou amélioration aux produits déjà vendus.

LA PRÉSENTE GARANTIE NE S'APPLIQUE PAS AUX produits endommagés par un acte de la nature, y compris la foudre, l'usure normale, les services de maintenance normale et les pièces utilisées avec de tels services, ou toute autre condition au-delà du contrôle de l'Entreprise.

LA PRÉSENTE GARANTIE SERA IMMÉDIATEMENT ANNULÉE si l'une des conditions suivantes est constatée :

1. Le produit est utilisé à des fins autres que celles pour lesquelles il a été conçu et fabriqué;
2. Le produit n'a pas été installé conformément aux codes et aux règlements applicables et aux bonnes pratiques commerciales;
3. Le produit n'a pas été installé par un entrepreneur certifié par Franklin;
4. Le produit a été endommagé à la suite d'une négligence, d'un abus, d'un accident, d'une mauvaise application, de vandalisme, d'une altération, d'une installation, d'un fonctionnement, d'une maintenance ou d'un entreposage inappropriés ou d'un dépassement des maximums recommandés dans les instructions du produit.

NI LE VENDEUR, NI L'ENTREPRISE NE POURRONT ÊTRE TENUS RESPONSABLES DES BLESSURES, DES PERTES OU DES DOMMAGES DIRECTS, ACCESSOIRES OU INDIRECTS (Y COMPRIS, SANS S'Y LIMITER, LES DOMMAGES INDIRECTS RELATIFS À UN MANQUE À GAGNER, À UNE PERTE DE VENTES, À DES BLESSURES CORPORELLES, À DES DOMMAGES MATÉRIELS OU À TOUTE AUTRE PERTE ACCESSOIRE OU INDIRECTE) DÉCOULANT DE L'UTILISATION DU PRODUIT OU DE L'INCAPACITÉ DE L'EMPLOYER, ET L'ACHETEUR CONVIENT QU'AUCUN AUTRE RECOURS NE SERA POSSIBLE.

LA GARANTIE ET LE RECOURS DÉCRITS AUX PRÉSENTES SONT EXCLUSIFS ET ONT PRÉSÉANCE SUR TOUTE AUTRE GARANTIE OU TOUT AUTRE RECOURS EXPLICITE OU IMPLICITE. LES AUTRES GARANTIES ET RECOURS SONT AINSI EXPRESSÉMENT EXCLUS, Y COMPRIS, MAIS SANS S'Y LIMITER, TOUTE GARANTIE IMPLICITE DE QUALITÉ MARCHANDE OU DE CONFORMITÉ À UN USAGE PARTICULIER. LA DURÉE DE LA GARANTIE OU DU RECOURS APPLICABLE À UN PRODUIT SE LIMITE AUX PÉRIODES DE GARANTIE EXPLICITEMENT INDIQUÉES CI-DESSUS.

**NON-RESPONSABILITÉ** : Toute affirmation verbale à propos du produit effectuée par le vendeur, l'Entreprise, les représentants ou d'autres parties ne constitue pas une garantie, ne doit pas être interprétée comme telle par l'acheteur et ne fait pas partie du contrat de vente. Les seules obligations du vendeur et de l'Entreprise et les seuls recours de l'acheteur seront le remplacement ou la réparation par l'Entreprise du produit, comme décrit ci-dessus. Avant l'utilisation, l'utilisateur devra déterminer l'adéquation du produit avec l'usage auquel il est destiné; et l'utilisateur assume toutes les responsabilités et tous les risques liés à ce choix.

Certains États et pays n'autorisent pas l'exclusion ou la limitation de la durée d'une garantie implicite ou l'exclusion ou la limitation de dommages accessoires ou indirects, de sorte que l'exclusion ou les limitations énoncées ci-dessus peuvent ne pas s'appliquer à vous. Cette garantie vous accorde des droits juridiques précis, et vous pouvez également disposer d'autres droits, lesquels varient selon l'État et le pays.

Franklin Electric peut, à sa seule discrétion, mettre à jour la présente garantie limitée de temps à autre. Toute information contradictoire concernant les procédures de garantie, que ce soit dans un manuel d'utilisation ou ailleurs, est remplacée par la présente par ce document. Néanmoins, toutes les références à une période, ou à la durée d'une période de garantie, demeureront conformes à la garantie en vigueur au moment de l'achat.

\* Communiquez avec la division de l'exportation de Franklin Electric Co., Inc. pour connaître la garantie internationale.

**REMARQUES :**

**REMARQUES :**

**REMARQUES :**



Form 106935101  
Rev. 2  
07.15



**Franklin Electric**  
9255, Coverdale Road, Fort Wayne, IN 46809  
Tel: 260-824-2900 Fax: 260-824-2909  
[www.franklinwater.com](http://www.franklinwater.com)