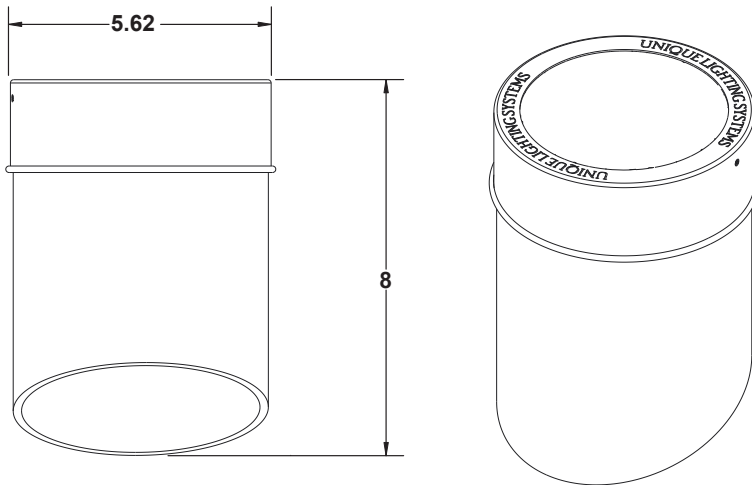
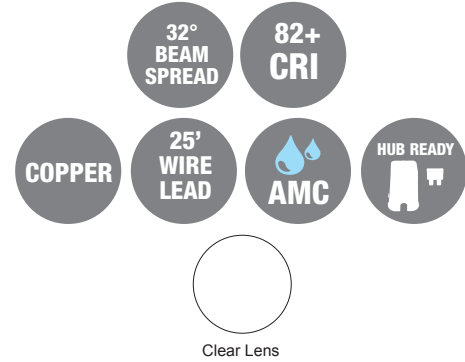


PRODUCT SPECIFICATIONS

PROJECT:	
MODEL #:	
LAMP(S):	
NOTES:	

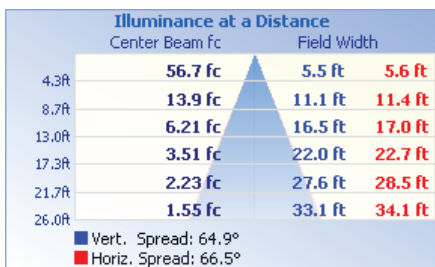


Specifications:

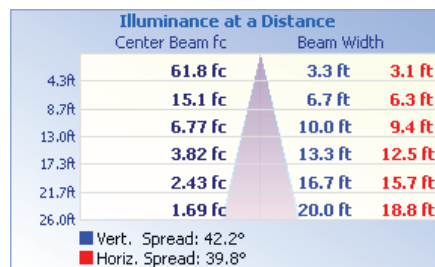
- Impact resistant resin housing
- Copper debris guard
- High temperature LED *FLEX-FIT*™ lamp retainer
- PAR36 screw terminal lamp connection
- Premium grade direct burial cable
- 13W max. LED lamp / 50W max. halogen
- Natural copper finish standard
- Limited 15 year warranty

Light Distribution Cones

LED-13W-CPFL27K



LED-13W-CPFL30K

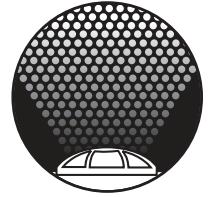


NOTE: Light cones are depicted without supplied lenses. Maximum wattage shown, for all other wattage options please refer to uniquelighting.com/beamspreads.



UL 2108:2004 R12.07
CSA C22.2.9.0-96 (R2006)

Unique Lighting Systems® reserves the right to modify the design and/or construction of the fixture shown without further notification.



Fixtures

Part Number

GALL-12-L527
GALL-12-L530
GALL-12-L727
GALL-12-L730
GALL-12-L1327
GALL-12-L1330
GALL-NL
GALL-NL-0
GALL-NL-50
GALL-NL-P

Description

GALLANT COP 12V LED 5W 27K 25"WL NC
GALLANT COP 12V LED 5W 30K 25"WL NC
GALLANT COP 12V LED 7W 27K 25"WL NC
GALLANT COP 12V LED 7W 30K 25"WL NC
GALLANT COP 12V LED 13W 27K 25"WL NC
GALLANT COP 12V LED 13W 30K 25"WL NC
GALLANT COP NL 25"WL NC
GALLANT COP NL NWL NC
GALLANT COP NL 50"WL NC
GALLANT COP NL 25"WL PNT

Accessories

Part Number

PAR36BLUE
PAR36GREEN
MPAR36RED
PAR36YELLOW
GALLANTDEBRIS

Description

Blue Lens
Green Lens
Red Lens
Yellow Lens
2" Copper Debris Guard

Finishes

Standard Finish

NC - Natural Copper

Powder Coated Finishes

WH - White
BK - Black
VG - Verde Green
TT - Tucson Tan
TK - Titanium Knight

Custom Colors

P - Painted

Stock powder coated colors displayed are subject to varying lead-times and will incur an additional cost. A Limited Warranty applies to all powder coated products.

Custom colors are available upon request. Please inquire about cost and lead times. Contact factory for custom colors and matching paint options.