



(Images for illustrative purposes only)

Kit Contents

- Grundfos 15-55 pump with timer and internal check valve
- 6 Ft (2 m) electrical cord
- 6 Ft (2 m) BX conduit pre-wired to pump (includes in-line 4 Amp glass fuse)
- Wire Nuts (Qty 5)
- Flange kit
- Rinnai Circ-Logic™ Manual

Specifications

Housing Material	Stainless Steel with Check Valve
Flow Range	20 GPM
Head Range	17 Ft (5 m)
Max Liquid Temperature	150° F (65° C)
Maximum System Pressure	145 PSI
Input Voltage	115 V
Frequency	60 Hz
Max Amperage	0.75 A
Connection Size	3/4" Flange
Weight (Pump/Flange Kit Combined)	8.9 lbs. (4 kg)
Pipe Length	

Equivalent pipe length using Grundfos GTK15 pump at 120°F (49° C) = Up to 200 Ft (61 m) (3/4" piping)

Equivalent pipe length includes supply piping, return piping and fittings. The installer/contractor/engineer must calculate the total equivalent pipe length of the piping system.

Warranty

Manufacturer's Warranty Applies

Timer Control

Designed to turn the pump on and off at preset times.

Shortest Switching Interval 15 Minute Increments

Protection Clear plastic cover for dust and moisture protection of clock face

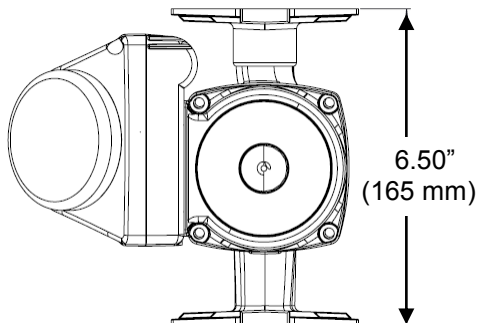
Modes Timer, On (Override) and Off (Override)

Requirements

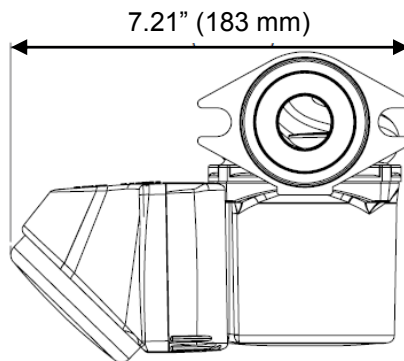
Grundfos GTK15 Kit must be used with Rinnai Tankless Water Heaters utilizing Rinnai Circ-Logic™.

DIMENSIONS

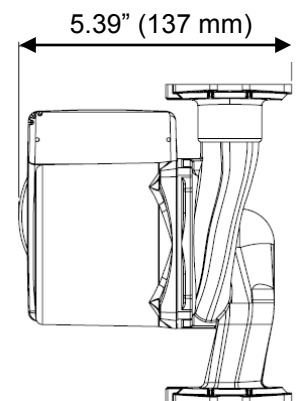
FRONT



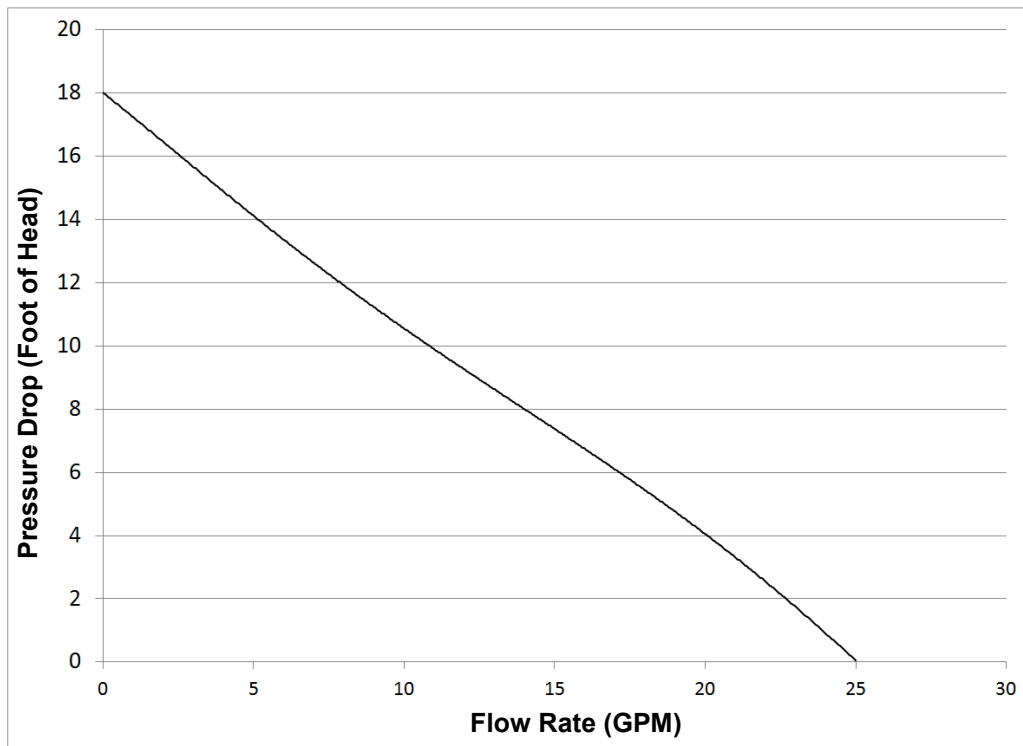
TOP



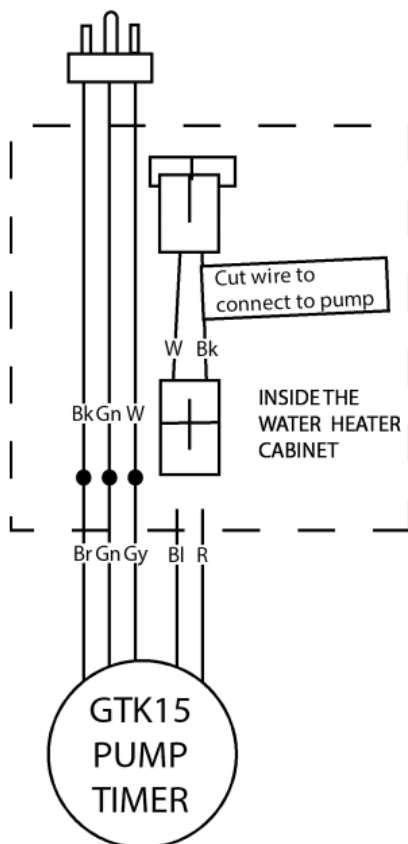
SIDE



Pump Performance Curve



Electrical Diagram



Wiring Table

Description	GTK15 (Timer)	Supplied Line Cord
+115VAC	Brown (Br)	Black (Bk)
Neutral	Gray (Gy)	White (W)
Ground	Green (Gn)	Green (Gn)

	GTK15 (Pump)	Rinnai Circ-Logic™
+115VAC (Circ-Logic™)	Red (R)	Black (Bk)
Neutral (Circ-Logic™)	Blue (Bl)	White (W)

Rinnai®

Learn more about Rinnai high-performance Commercial and Residential Tankless Water Heaters, Hybrid Tank-Tankless Water Heaters, Boilers, Vent-Free Fan Convectors and EnergySaver® Direct Vent Wall Furnaces at:

rinnai.us | rinnai.ca

1-800-621-9419