



F200: 12V & 24V Well Light

PROJECT:	
TYPE:	
CATALOG NUMBER:	
LAMP(S):	
NOTES:	

FIXTURE ORDERING INFORMATION

Example: F200-12-35-GR (F200, 12 Volt, 35 Watt PAR36, 25' Wire Lead, Grate)

MODEL NAME	VOLTAGE	WATTAGE	WIRE LENGTH	FINISH	OPTIONS
F200	12=12 Volt 24=24 Volt	L627= LED, 6W, 2700K, FLOOD L630= LED, 6W, 3000K, FLOOD L1027= LED, 10W, 2700K, FLOOD L1030= LED, 10W, 3000K, FLOOD L1827= LED, 18W, 2700K, FLOOD L1830= LED, 18W, 3000K, FLOOD 35= 35W PAR36 NL=No Lamp	Leave blank for standard 25' length * 0= 3' wire lead * 50= 50' wire lead	leave blank for standard BK finish LB= Light Brown	* 6P= Six Pack GR= Grate

NOTE: Pre-lamped LED fixtures are NOT available with 24V lamps. LED fixtures and six pack options are available ONLY with a 25' wire lead. For additional painted finishes or six pack options contact our factory.

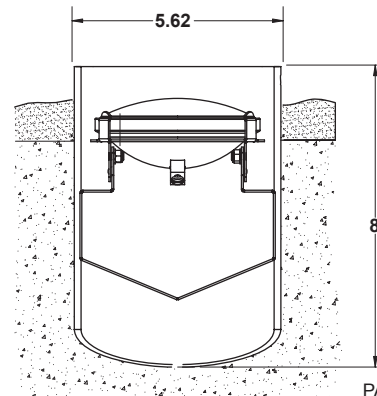
Standard Finish

Black	BK
-------	----

Optional Finish

Light Brown	LB
-------------	----

DIMENSIONS:



PATENT # 6,502,967

FLEX™ Unique Lighting Systems® fixtures are available with LED lamps. Please specify the lamp code when ordering.

* Only available with the NL wattage option.

Unique Lighting Systems® reserves the right to modify the design and/or construction of the fixture shown without further notification.

SPECIFICATIONS

Our Commitment

Unique Lighting Systems' highest commitment is to set the standard for manufacturing innovative and quality products. This commitment is evident through our detailed inspection processes and extensive field testing. From the initial design process of each product, to the final assembly of each custom-made individual part, our manufacturing process accomplishes the highest level of performance and durability carried through to final delivery to the end user. Durable construction and beautiful styling make Unique™ fixtures the ideal solution for any residential and/or commercial application. Unique Lighting™ already holds numerous product patents and we are constantly developing innovative ideas to help expand the lighting industry.

Body

Impact resistant resin housing is cut on a bias for easy installation. Patented gimble ring allows for lamp adjustability and aiming.

Materials

Housing is high temp. impact resistant ABS composite. Stainless steel patented gimble ring.

Lamp

For use with a halogen lamp up to 35W PAR36 lamp. **FLEX™** Series LED lamps are available in 6W, 10W and 18W PAR36 lamps. LED lamps are available in 2700K and 3000K color temperatures.

Electrical Requirements

A remote 12V or 24V transformer required, may be ordered separately from Unique Lighting Systems®. Voltage range for 12V halogen lamps is 10.8V to 12V. Voltage range for 24V halogen lamps is 21.6V to 24V. Voltage range for **FLEX™** Series LED PAR36 lamps is 10V-15V.

Lamp Connection

PAR 36: Screw terminal.

Wiring

Exclusive UF Intelli-Flex wire with anti-moisture migration connections.

Warranty

The F200 Series Family of products from Unique Lighting Systems® carries a limited 15 year warranty against manufacturer's defects.

Manufacturing

Manufactured to ISO 9001-2008 Quality Systems Standard.



UL 2108:2004 R12.07
CSA C22.2.9.0-96 (R2006)