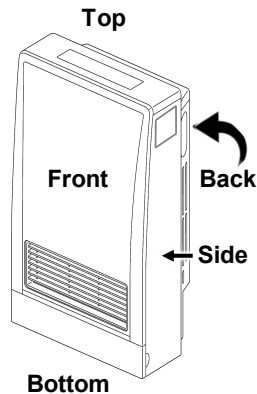


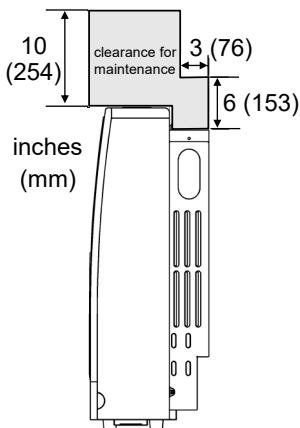
Clearances to Combustibles

| Location | Clearance |
|---------------------------------|---------------------------|
| Top and Bottom/ Ground | 0 in. (0 mm) |
| Front (Panel) | 40 in. (1 m) ¹ |
| Back (Including Back Spacer) | 0 in. (0 mm) |
| Sides (Left and Right) | 2 in. (50 mm) |



¹ Does not include flooring material or carpeting less than 1.2 in. (30 mm) in height.

Service Clearances



Clearances to access the furnace during servicing are 10 in. (254 mm) from the sides, 40 in. (1 m) from the front, and the area shown above the furnace in the figure to the left.

Rinnai recommends 10 in. (254 mm) clearance from the top and on both sides for servicing.

| | |
|------------------------|---|
| Models | EX08DT (RHFE-203FTA) EX11DT (RHFE-266FTA) |
| General Description | Forced Combustion, Forced Convection, Flued Gas Furnace |
| Application | <ul style="list-style-type: none"> Approved for manufactured home (USA only), mobile home, or residential installation convertible for use with natural gas and liquefied petroleum gases (propane) when provision is made for the conversion from one gas to the other. Approved for commercial setting. Approved for installation at altitudes up to 10,200 ft. (3,109 m). |
| Supplied with Purchase | <ul style="list-style-type: none"> Direct Vent Wall Furnace Flue Manifold "A" Vent Kit² (FOT-151) Back Spacer Set Manual Gas Shut-off Valve Full Size Wall Template Located on Furnace Carton Box Installation and Wall Mounting Hardware Installation and Operation Manual |
| Optional Items | <ul style="list-style-type: none"> Extension Kit (EX11DT Model Only) Extends the exhaust line and air intake hose between the flue manifold and furnace. Remote Thermostat Installation Kit <ul style="list-style-type: none"> Part # 204000045 for US installations Part # 204000048 for Canadian installations Gas Conversion Kit: <ul style="list-style-type: none"> EX08DT (RHFE-203FTA): <ul style="list-style-type: none"> Part # 203000003 for Converting to Natural Gas Part # 203000004 for Converting to Propane EX11DT (RHFE-266FTA): <ul style="list-style-type: none"> Part # 203000005 for Converting to Natural Gas Part # 203000006 for Converting to Propane |

² Additional flue manifolds are available for different wall thicknesses (purchased separately). Vent Kit "A" is included with the furnace.

| Kit Name | Kit No. | Fits Walls |
|------------|---------|------------------------------------|
| S Vent Kit | FOT-150 | 3 - 4 1/2 in. (75 - 115 mm) |
| A Vent Kit | FOT-151 | 4 1/2 - 9 1/2 in. (115 - 240 mm) |
| B Vent Kit | FOT-152 | 9 1/2 - 15 3/4 in. (240 - 400 mm) |
| C Vent Kit | FOT-153 | 15 3/4 - 23 5/8 in. (400 - 600 mm) |
| D Vent Kit | FOT-154 | 23 5/8 - 31 1/2 in. (600 - 800 mm) |

TECHNICAL SPECIFICATIONS

| | EX08DT | | EX11DT | |
|--------------------------|--|----------------------|-----------------------|-----------------------|
| | Natural Gas | Liquid Propane Gas | Natural Gas | Liquid Propane Gas |
| Min. Supply Gas Pressure | 4.5 in. (114 mm) wc | 8.0 in. (203 mm) wc | 3.5 in. (89 mm) wc | 8.0 in. (203 mm) wc |
| Max. Supply Gas Pressure | 10.5 in. (267 mm) wc | 13.0 in. (330 mm) wc | 10.5 in. (267 mm) wc | 13.0 in. (330 mm) wc |
| Btu/h Input | Low 3,000 High 8,000 | | Low 5,500 High 11,000 | Low 5,700 High 11,000 |
| Operation | Push Button Electronic | | | |
| Gas Connection | 1/2 in. (13 mm) Male NPT | | | |
| Gas Control | Electronic | | | |
| Burners | Stainless Steel Bunsen Burner | | | |
| Temperature Control | Electronic Thermostat, Low, 60-80°F (16-26°C) in 2°F (1°C) Increments, High | | | |
| Ignition System | Electronic Spark Ignition | | | |
| Flue System | The flue must be terminated to atmosphere with only flue components listed with the furnace's certification. Warranty will be voided if non-listed components are installed. | | | |
| Humidifier Tray | Capacity - 1.5 pints (700 cc) | | | |
| Electrical Connections | AC 120 Volts, 60 Hz, 22 watts | | | |
| Standby Power | 0.7 watts | | | |
| Weight & Sound Level | Weight: 42 lbs (19 kg) | | Sound Level: 27-36 dB | |

The efficiency rating of this furnace is a product thermal efficiency rating determined under continuous operating conditions and was determined independently of any installed system.

DIMENSIONS

