

Chelsea Fireclay Collection
Fire Clay Undermount Large Single Bowl

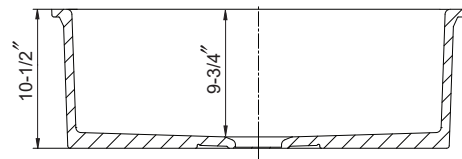
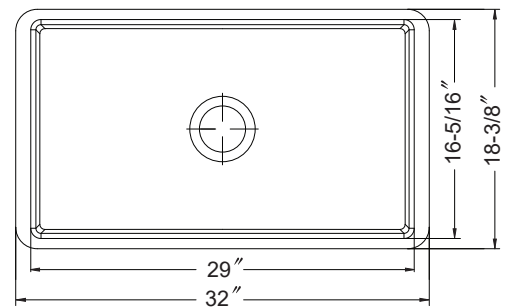
- Model** CHE-3219SU-WH - White
 CHE-3219SU-BQ - Biscuit
 CHE-3219SU-MB - Matte Black
 CHE-3219SU-MG - Matte Gray
 CHE-3219SU-MZ - Marble White and Gray



CHE-3219SU

FEATURES

- Non-porous glossy surface
- 9-3/4" depth
- 3-1/2" drain opening
- Chip, crack and scratch resistant
- Available in 5 colors
- Fits 36" minimum cabinet
- Supplied with fasteners and instructions
- No cut out template is supplied as each sink dimension will vary due to the nature of fireclay manufacturing process.
- Lifetime Limited Warranty



OPTIONAL COLORS



White Biscuit Matte Black Matte Gray Marble

Color variations possible due to printing constraints.

| OVERALL DIMENSIONS | EACH BOWL | PACKAGING* | WEIGHT* |
|--------------------|----------------|------------|--------------|
| 32" x 18-3/8" | 29" x 16-5/16" | 1/10 pcs. | 100/1040lbs. |

*Standard packaging: Single boxed /Pallet of single boxed.
 All dimensions are in inches. Specifications subject to change without notice.

OPTIONAL ACCESSORIES

- Bottom Grid: SWG-2815F
 Strainer : BAS-2000-SS

Project/Job name _____

Architect/Engineer _____

Contractor _____

Model _____ Q'ty _____

Notes _____