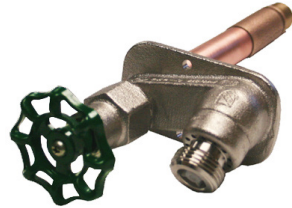


**OLD STYLE**  
**Manufactured until 2007**



4515 East 139th Street  
 Grandview, MO 64030  
 (800) 362-9055  
 Fax (800) 362-1463  
 www.PRIER.com

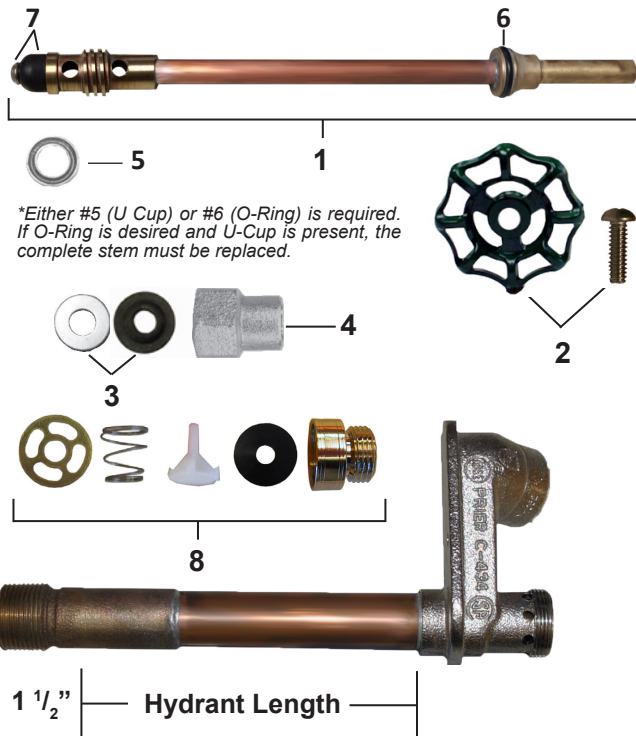
# C-434 Heavy Residential Wall Hydrant



- Freezeless
- Anti-Siphon
- Double Check Valve



Replacement Parts and Stems



*\*Either #5 (U Cup) or #6 (O-Ring) is required. If O-Ring is desired and U-Cup is present, the complete stem must be replaced.*

ID	Part No.	Description
1	See Below	Stem Assembly, Contains: 1, 7, 6
2	C-134KT-805	Operating Handle and Screw Kit
3	C-134KT-803	Stem Packing Kit
4	300-1011	Valve Stem Cap
5	Not Available	U-Cup Drain Seal
6	336-0001	O-Ring Drain Seal
7	C-434KT-802	Seat Washer Kit
8	C-434KT-806	Vacuum Breaker Kit
	C-434KT-807	Overhaul Kit, Contains: 2, 3, 6, 7, 8



Part No.	Stem Length	Description
P-231-03CC	4 <sup>9</sup> / <sub>16</sub> " OAL	Close Coupled Stem for C-434/C-534 Hydrant
P-231-0304	7 <sup>1</sup> / <sub>16</sub> " OAL	Stem for C-434/C-534 Hydrant
P-231-0306	9 <sup>1</sup> / <sub>16</sub> " OAL	Stem for C-434/C-534 Hydrant
P-231-0308	11 <sup>1</sup> / <sub>16</sub> " OAL	Stem for C-434/C-534 Hydrant
P-231-0310	13 <sup>1</sup> / <sub>16</sub> " OAL	Stem for C-434/C-534 Hydrant
P-231-0312	15 <sup>1</sup> / <sub>16</sub> " OAL	Stem for C-434/C-534 Hydrant
P-231-0314	17 <sup>1</sup> / <sub>16</sub> " OAL	Stem for C-434/C-534 Hydrant
P-231-0318	21 <sup>1</sup> / <sub>16</sub> " OAL	Stem for C-434/C-534 Hydrant
P-231-0324	27 <sup>1</sup> / <sub>16</sub> " OAL	Stem for C-434/C-534 Hydrant