



Build With Purpose

C-155/165 Anti-Siphon Angle Sill Faucets



C-155/C-165



C-255/C-265



C-355/C-365



- Anti-Siphon
- Commercial
- Backflow Check Valve
- Optional Hydrant Box

With Integral P-002 Vacuum Breaker or P-004 Double Check Vacuum Breaker

PRIER's anti-siphon angle sill faucets are designed for areas that require water service with an anti-siphon backflow check valve connection, but are not subject to freezing temperatures. Typical installations include outdoor connections in mild climates or any indoor installation for residential, commercial, institutional and industrial applications. The heavy pattern design with solid brass stem assures years of reliable service with minimal maintenance. An optional valve box is available in either satin nickel or brass finish.

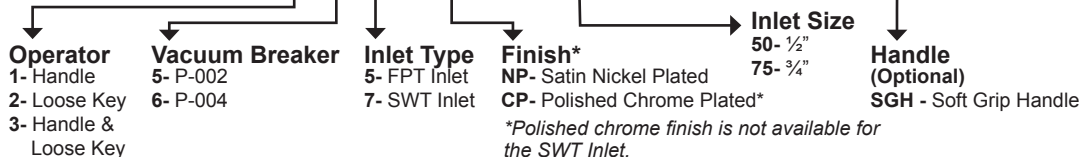
FEATURES

- Heavy pattern cast brass construction with solid cast brass mounting flange with enclosed screw holes
- Finishes available: satin nickel plated or polished chrome
- Optional heavy patterned casted brass valve box in satin nickel or brass finish
- Powder coated aluminum metal handle or operating key on loose key vandal proof sill faucets
- Stainless steel seat washer screw and handle screw
- Full circle ACME threads on stem assembly with standard 1/4" L size seat washer
- AFG teflon with graphite packing
- C-155, C-255, and C-355 have a P-002 vacuum breaker backflow check valve approved under ASSE 1011
- C-165, C-265, and C-365 have a P-004 vacuum breaker backflow double check valve approved under ASSE 1052

ORDERING

Angle Sill Faucet Only

C-165NP.50-SGH



***PLEASE NOTE:** C-157, C-167, C-257, C-267, C-357 and C-367 made for 3/4" sweat connections (SWT Inlet) with M Copper only.

Optional Hydrant Box

C-155BX1

Box Finish
1- Satin Nickel Plated
2- Rough Brass



C-155/C-165



C-255/C-265



C-355/C-365



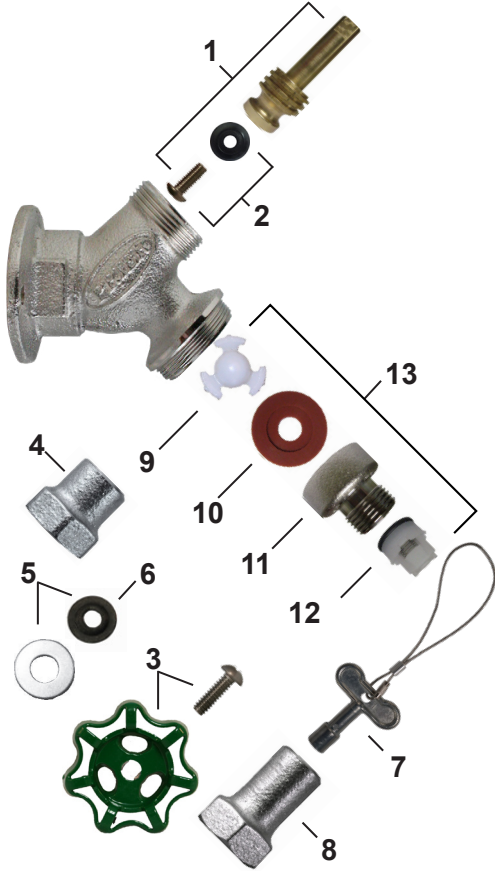
4515 E. 139th Street Grandview, MO 64030 | (800) 362-9055 | PRIER.com

C-155/165-C



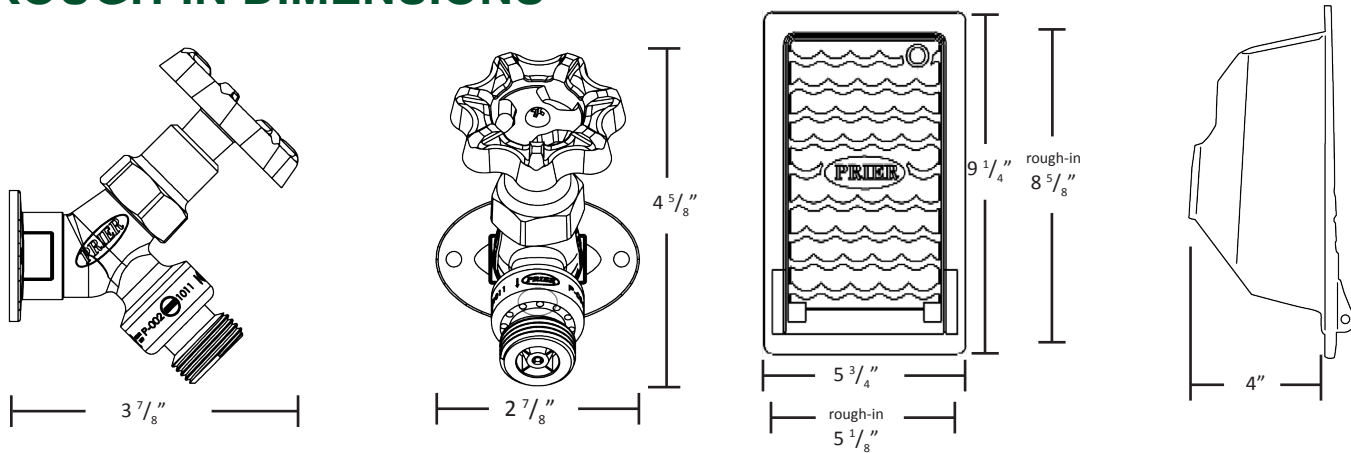
Build With Purpose

C-155/165 REPLACEMENT PARTS



ID	Part No.	Description
1	231-0001	Stem Assembly (Brass) Rod
2	C-135KT-802	1/4" Beveled Seat Washer Kit
3	C-134KT-805	Handle and Screw Kit (Aluminum Powder Coated)
	C-135KT-805	Handle and Screw Kit (Polished Chrome Plated Aluminum)
	P-164KT-805	Handle and Screw Kit(Soft Grip)
4	300-1008	Valve Stem Cap (Nickel Plated)
	300-1013	Valve Stem Cap (Polished Chrome Plated)
5	C-134KT-803	Stem Packing Kit
6	390-1001	Packing Only
7	C-108KT-808	Loose Key on Lanyard
8	310-1015	Extended Valve Stem Cap (Nickel Plated)
	310-1019	Extended Valve Stem Cap (Polished Chrome Plated)
9	337-0002	Check Spider (Acetal)
10	336-0006	Stepped Washer (Silicone)
11	310-0018	Vacuum Breaker Hose Piece
12	399-0001	Check Valve (C-165, C-265, C-365)
13	P-004CP/NP	Hose End Vacuum Breaker
	C-434KT-906	Vacuum Breaker Assembly, Contains: 9, 10, 11 (C-155, C-255, C-355)
	C-134KT-804	Loose Key Conversion Kit, Contains: 5, 7, 8

ROUGH-IN DIMENSIONS



SPECS

Furnish and install Model C-155/255/365 or C-165/265/365 Heavy Pattern Anti-Siphon Angle Sill Faucet manufactured by PRIER Products, Inc. Sill Faucet shall be surface mounted and installed using optional 1/2" or 3/4" female NPT or 1/2" or 3/4" sweat inlet connections.

Sill Faucet shall be approved under ASSE 1011 standard with integral vacuum breaker / backflow preventor (Models C-155, C-255 or C-355) or Sill Faucet shall be approved under ASSE 1052 with integral vacuum breaker / double backflow preventor (Models C-165, C-265 or C-365). Sill Faucet shall flow 9 gallons per minute minimum at 25 PSI differential and be at full flow in 1 handle rotation. Sill Faucet shall have 3/4" hose connection, solid brass body with satin nickel or chrome finish, and brass operating rod. Options: Choose between Powder-coated Metal Handle (C-155 or C-165), Vandal Proof Sill Faucet with Loose Operating Key (C-255 or C-265), or both (C-355 or C-365).

Optional: Furnish and install flush-mount hydrant box for each valve. Hydrant box shall be manufactured of solid cast brass with a rough brass or satin nickel plated finish. Box may be installed separately and Sill Faucet be insertable and removable from front of the box. Access to the box shall be provided by the Vandal Proof Operating Key.