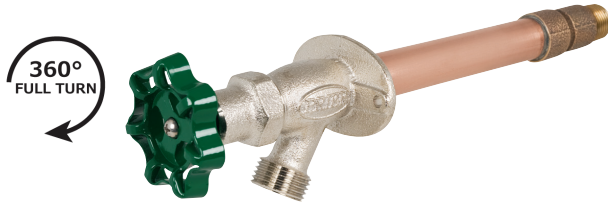


OLD STYLE
Manufactured 1945-April 2013



4515 East 139th Street
 Grandview, MO 64030
 (800) 362-9055
 Fax (800) 362-1463
 www.PRIER.com

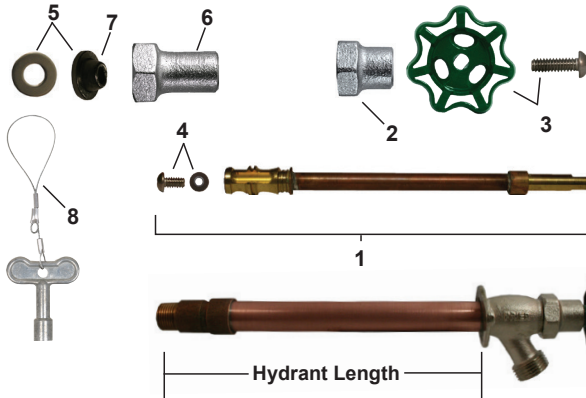
C-134/234 Series Freezeless Wall Hydrant



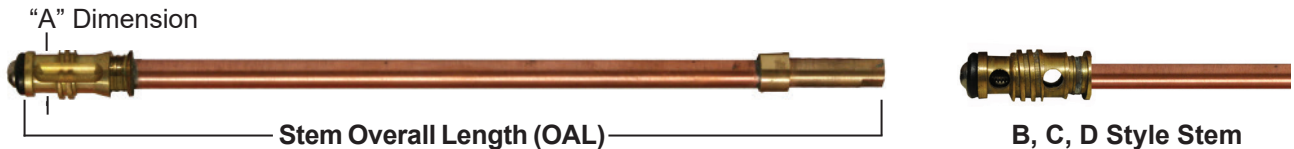
- Freezeless
- Solid Brass Body
- Satin Nickel Plated



Replacement Parts and Stems



ID	Part No.	Description
1	See Below	Stem Assembly, Contains: 1, 4
2	300-1008	Valve Stem Cap
3	C-134KT-805	Oval Handle and Screw Kit
4	C-134KT-802	Seat Washer Kit (00 Beveled)
5	C-134KT-803	Stem Packing Replacement Kit
6	310-1015	Valve Stem Cap for Loose Key
7	390-1001	Stem Packing Only
8	C-108KT-808	Oval Style Key on Lanyard
	C-134KT-804	Loose Key Conversion Kit, Contains: 5, 6, 8
	C-134KT-807	C-134 Overhaul Kit, Contains: 3, 4, 5
	C-135KT-802	Seat Washer Kit - 1/4L (Pre-1972)* ID #4



- A Style**- Available from approximately 1945-1954
- B Style**- Available from approximately 1954-1961
- C Style**- Available from approximately 1961-1963
- D Style**- Available from approximately 1963-1972
- E Style**- Available from approximately 1972-April 2013

"A" Dimension is: 9/16" for B, C & D Styles
 1/2" for E Style

PRIER Universal Stems are replacement stems for any size from 4" to 14". They require cutting the rod to proper length and soldering the brass stem end to the rod as directed in instructions.

Part No.	Style	Stem Length	Description	Part No.	Style	Stem Length	Description
C-134BS04	B	8 1/16" OAL	Stem for C-134 Hydrant	C-134DS08	D	11 5/8" OAL	Stem for C-134 Hydrant
C-134BS06	B	10 1/16" OAL	Stem for C-134 Hydrant	C-134DS10	D	13 5/8" OAL	Stem for C-134 Hydrant
C-134BS08	B	12 1/16" OAL	Stem for C-134 Hydrant	C-134DS12	D	15 5/8" OAL	Stem for C-134 Hydrant
C-134BS10	B	14 1/16" OAL	Stem for C-134 Hydrant	C-134DS14	D	17 5/8" OAL	Stem for C-134 Hydrant
C-134BS12	B	16 1/16" OAL	Stem for C-134 Hydrant	C-134US	B, C, D	Up to 18 1/16"	Universal Stem for B, C, D*
C-134BS14	B	18 1/16" OAL	Stem for C-134 Hydrant	P-231-01CC	E	5 1/8" OAL	Stem for CC C-134 Hydrant
C-134CS04	C	7 1/16" OAL	Stem for C-134 Hydrant	P-231-0104	E	7 5/8" OAL	Stem for C-134 Hydrant
C-134CS06	C	9 1/16" OAL	Stem for C-134 Hydrant	P-231-0106	E	9 5/8" OAL	Stem for C-134 Hydrant
C-134CS08	C	11 1/16" OAL	Stem for C-134 Hydrant	P-231-0108	E	11 5/8" OAL	Stem for C-134 Hydrant
C-134CS10	C	13 1/16" OAL	Stem for C-134 Hydrant	P-231-0110	E	13 5/8" OAL	Stem for C-134 Hydrant
C-134CS12	C	15 1/16" OAL	Stem for C-134 Hydrant	P-231-0112	E	15 5/8" OAL	Stem for C-134 Hydrant
C-134CS14	C	17 1/16" OAL	Stem for C-134 Hydrant	P-231-0114	E	17 5/8" OAL	Stem for C-134 Hydrant
C-134DS04	D	7 5/8" OAL	Stem for C-134 Hydrant	P-231-0116	E	19 5/8" OAL	Stem for C-134 Hydrant
C-134DS06	D	9 5/8" OAL	Stem for C-134 Hydrant	P-231-01US	E	Up to 17 5/8" OAL	Universal Stem for E Style*