

BRYCE Hanging Down Light for AR11, MR16, or G4 Blaze



DESCRIPTION

The Bryce Hanging Down Light works with AR11, MR16 and MR16 Chameleon lamps, or G4 Blaze lamps with the Frosted Acrylic version.

BRYCE HANGING DOWN LIGHT

| | | |
|--------------------|--|--|
| Use | Downlighting Techniques in Trees or Architecture by Hanging on a Chain or Cable | |
| Finish | Brass, Copper, Brass w/ Black Cerakote®, or Frosted | |
| Includes | LightingShrink Professional Crimp and Heat Shrink Cable Connector | |
| Order With Lamp | AR11, 2W, 2700K, 60° | BRYCE-HDL-AR11-CU BRYCE-HDL-AR11-BR BRYCE-HDL-AR11-BR-BLK |
| | MR16, 4W, 2700K, 60° | BRYCE-HDL-MR16-CU BRYCE-HDL-MR16-BR BRYCE-HDL-MR16-BR-BLK |
| | G4 Blaze | BRYCE-HDL-G4-FRST |
| Order Without Lamp | Fits AR11 | BRYCE-HDL-AR11-CU-NL BRYCE-HDL-AR11-BR-NL BRYCE-HDL-AR11-BR-BLK-NL |
| | Fits Chameleon MR16, MR16 | BRYCE-HDL-MR16-CU-NL BRYCE-HDL-MR16-BR-NL BRYCE-HDL-MR16-BR-BLK-NL |
| | Fits G4 Blaze | BRYCE-HDL-G4-FRST-NL |

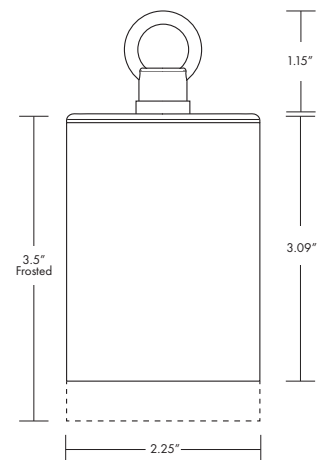


Brass (BR)

Copper (CU)

Brass + Black Cerakote® (BR-BLK)

Frosted Acrylic (FRST)





BRYCE-HDL-AR11-CU

INSTALLING THE LAMP

1. Unscrew the fixture body from the base.
2. Install the lamp in the socket.
3. Reinstall the fixture body.

HANGING THE FIXTURE

IMPORTANT: DO NOT INSTALL ON OR NEAR ANY HIGH VOLTAGE POWER LINES

1. Hang the fixture from a secure stainless steel eye bolt, with or without a chain.
2. Create a drip loop with the wire by bending the wire to a slope one inch below the fixture cap.