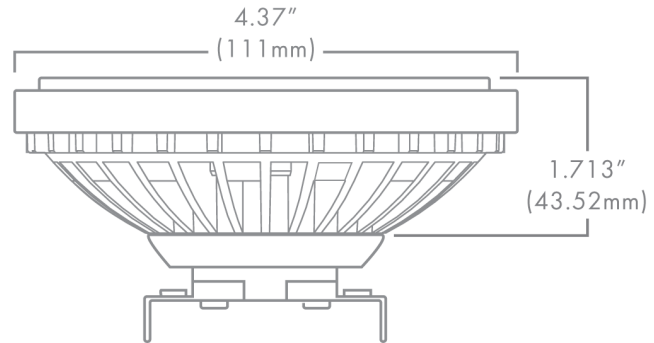


PAR36



DESCRIPTION

The Brilliance PAR36 lamp is designed to fit in standard low voltage PAR36 fixtures and offers a long lamp life. These LEDs are thermally engineered to operate in enclosed fixtures and provide added security by automatically cooling down and reducing lumen output when exposed to extreme heat, such as air temperatures above 125°F. There is no color shift when lumen output is reduced. Dimmable with Brilliance Dimmer and most magnetic transformers. Suitable for wet locations and for use in totally enclosed luminaires. Not for underwater use.



FEATURES

- Earth tone colored housing
- Enhanced ESD (Electro-Static Discharge) protection (IEC-61000-4-2)
- Heat overload protection technology
- Fully potted PC board
- UL Certified E360351

Part Number: **PAR36-X-XXXX-XXX**



PAR36 SPECS

Wattage	4W	7W	11W	15W
Volt Amps	6.67	10.77	15.94	21.43
Lumens	2700K	435	675	900
	3000K	-	700	950
	5700K	-	-	1650
Beam Spread†	15°, 30°, 60°, 120°			
Kelvin Temperature	2700, 3000, 5700			
Color	Amber (11W, 30° only)			
Operating Range	8-25 VAC/DC			
Replaces	20W, 35W, 50W Halogen			
CRI	85			
IP	68			
Lamp Life (hours)	50,000			
Warranty (years)	5			



† Select Beam Spreads Available in Stock. Call 800-867-2108 for availability.