

# MICRO G4



## DESCRIPTION

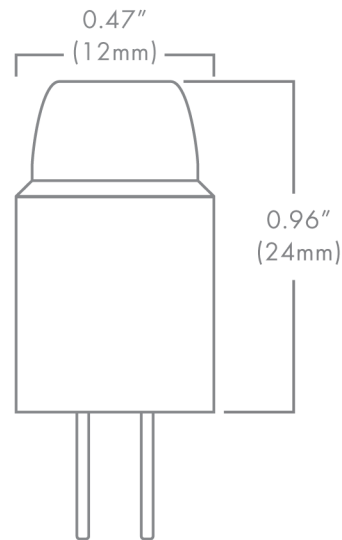
The Brilliance Micro G4 Bi-Pin is a sub-compact LED that features Brilliance's omni-directional beam pattern. This Micro G4 Bi-Pin is energy efficient and water resistant. It is designed specifically for landscape retrofit applications and is ideal for pathway lighting fixtures. Dimmable with Brilliance Dimmer and most magnetic transformers. Suitable for damp locations and for use in totally enclosed luminaires. Not for underwater use.

## FEATURES

- Ceramic technology
- UL Certified E360351

## MICRO G4 SPECS

Wattage	<b>1.2W</b>
Volt Amps	1.52
Lumens	<b>2700K</b> 95
	<b>3000K</b> 100
Beam Spread	<b>Omni-directional</b>
Kelvin Temperature	<b>2700, 3000</b>
Color	<b>Amber</b>
Operating Range	<b>8-14 VAC/DC</b>
Replaces	<b>10W Halogen</b>
CRI	<b>85</b>
IP	<b>65</b>
Lamp Life (hours)	<b>35,000</b>
Warranty (years)	<b>5</b>



Part Number: **BRI-MICRO-G4-XXXX**

|  
Kelvin/Color

