

CHAMELEON G4 BI-PIN



DESCRIPTION

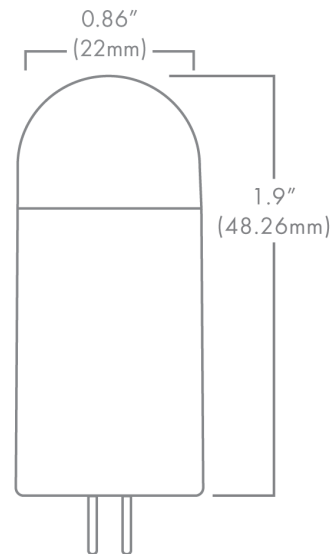
Bring color to your lighting design with Brilliance Chameleon G4 lamps! Control dimming from 2200K to 5700K and a wide range of reds, greens, and blues from your smart device. Suitable for damp locations and for use in totally enclosed luminaires. Not for underwater use.

FEATURES

- Wi-Fi enabled
- RGBW - 2200K to 5700K and a wide range of reds, greens, and blues
- Control landscape lighting from your smart phone
- Use Brilliance Smart app to change lamp settings
 - Turn on and off
 - Set and change colors
 - Set and control dimming
 - Set and control schedules
 - Set astronomical timers for sunrise/sunset
 - Program custom scenes to run with one tap
 - Control devices independently or as a group
- Android and iOS compatible

CHAMELEON G4 BI-PIN SPECS

| | |
|--------------------|-------------------------|
| Wattage | 2.5W |
| Volt Amps | 4.17 |
| Lumens | 190-250 |
| Kelvin Temperature | 2200-5700 |
| Beam Spread | Omni-directional |
| Color | RGBW |
| Input Voltage | 8-18 VAC/DC/60Hz |
| Replaces | 20W Halogen |
| CRI | 80 |
| IP | 65 |
| Lamp Life (hours) | 50,000 |
| Warranty (years) | 5 |



Part Number: **BRI-G4-CHM-2.5-RGBW**



TECHNICAL REQUIREMENTS: Must have consistent 2.4 GHz Wi-Fi signal at the installation location with dBm strength of -70 or better. See the Brilliance Smart Products Guide for more information and troubleshooting.



Brilliance Smart app



Chameleon Set Up

