

CANDELABRA EDGE FILAMENT

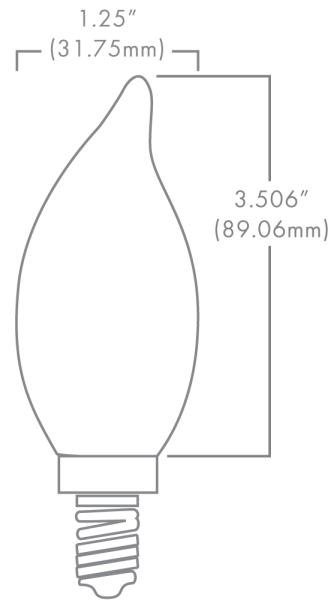


DESCRIPTION

The Brilliance Candelabra Edge Filament lamp is a decorative light source and gives the effect of an original Edison lamp, making it great for indoor chandeliers and anywhere a warm light is desired. Dimmable with Brilliance Dimmer and most magnetic transformers.

FEATURES

- Flame tip style
- Clear, omni-directional light source
- Elegant, exposed filament design
- UL Certified E360351



CANDELABRA EDGE FILAMENT SPECS

Wattage	2W	3.5W
Volt Amps	2.35	4.12
Lumens	2700K	105
	3000K	110
Kelvin Temperature	2700, 3000	
Operating Range	12 VAC/DC	
Replaces	40W Incandescent	
CRI	90	
IP	64	
Lamp Life (hours)	30,000	
Warranty (years)	3	

Part Number: **CAN-FIL-EDGE-F-XX-XXXX-C-12**

Wattage Kelvin

