

# CANDELABRA EDGE FILAMENT



## DESCRIPTION

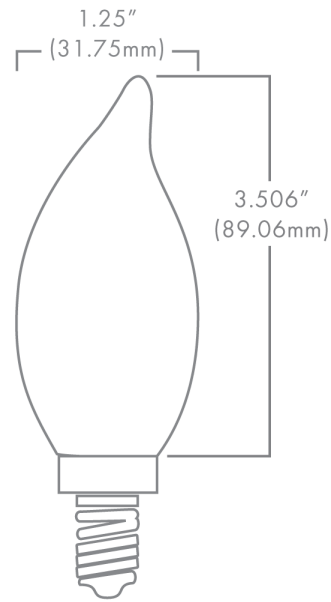
The Brilliance Candelabra Edge Filament lamp is a decorative light source and gives the effect of an original Edison lamp, making it great for indoor chandeliers and anywhere a warm light is desired.

## FEATURES

- Flame tip style
- Clear omni-directional light source
- Elegant, exposed filament design
- UL Certified E360351

## CANDELABRA EDGE FILAMENT SPECS

Wattage	<b>3.5W</b>
Volt Amps	<b>3.89</b>
Lumens	<b>240</b>
Kelvin Temperature	<b>2700</b>
Operating Range	<b>120 VAC/DC</b>
Replaces	<b>40W Incandescent</b>
CRI	<b>90</b>
IP	<b>64</b>
Lamp Life (hours)	<b>30,000</b>
Warranty (years)	<b>3</b>



Part Number: **CAN-FIL-EDGE-F-2700-C-120**

