

AR11

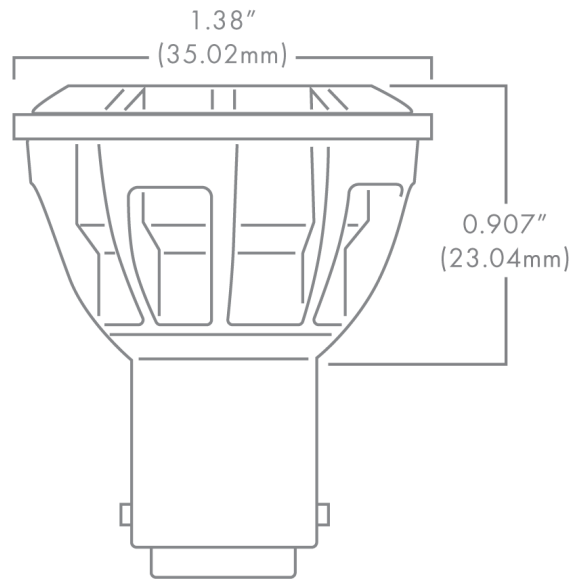


DESCRIPTION

The Brilliance AR11 Double Contact Bayonet (DCB) is designed to fit into standard low voltage AR11 fixtures and offers a long lamp life. These LEDs are thermally engineered to operate in enclosed fixtures and provide added security by automatically cooling down and reducing lumen output when exposed to extreme heat, such as air temperatures above 125°F. There is no color shift when lumen output is reduced. Dimmable with Brilliance Dimmer and most magnetic transformers. Suitable for damp locations and for use in totally enclosed luminaires. Not for underwater use.

FEATURES

- Earth tone colored housing
- Enhanced ESD (Electro-Static Discharge) protection (IEC-61000-4-2)
- Heat overload protection technology
- Fully potted PC board
- UL Certified E360351



Part Number: **AR11-2-XXXX-XX**

Kelvin | Beam spread

AR11 SPECS

Wattage	2W
Volt Amps	3.33
Lumens	2700K 120
	3000K 138
Beam Spread	30°, 60°
Kelvin Temperature	2700, 3000
Color	Amber (30° only)
Operating Range	8-25 VAC/DC
Replaces	20W Halogen
CRI	85
IP	61
Lamp Life (hours)	50,000
Warranty (years)	5

