



### BIG BANG: 12V & 24V Brass Up Light

PROJECT:	
TYPE:	
CATALOG NUMBER:	
LAMP(S):	
NOTES:	

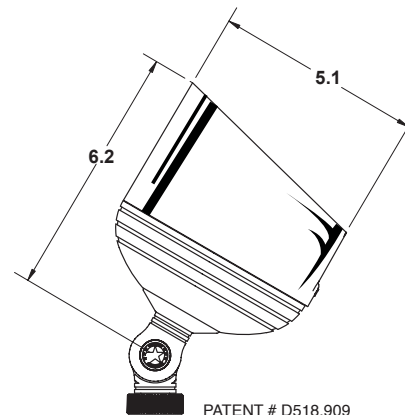
### FIXTURE ORDERING INFORMATION

Example: **BIGB-12-NL-50-6P** (Big Bang, 12 Volt, No Lamp, 50' Wire Lead, Weathered Brass, Six Pack)

MODEL NAME	VOLTAGE	WATTAGE	WIRE LENGTH	FINISH	OPTIONS
BIGB	12=12 Volt 24=24 Volt	L627= LED, 6W, 2700K, Flood L630= LED, 6W, 3000K, Flood L1027= LED, 10W, 2700K, Flood L1030= LED, 10W, 3000K, Flood 35= 35W PAR36 NL=No Lamp	Leave blank for standard 25' length * 0= 3' wire lead * 50= 50' wire lead	Leave blank for standard WB finish P= Powder coat finish. Specify color from chart below and mark in order comments area.	* 6P= Six Pack

**NOTE:** Pre-lamped LED fixtures are NOT available with 24V lamps. LED fixtures and six pack options are available ONLY with a 25' wire lead. For additional painted finishes or six pack options contact our factory.

### DIMENSIONS:



PATENT # D518,909

#### Powder Coated Finishes

Tucson Tan	TT
White	WH
Black	BK
Verde Green	VG
Titanium Knight	TK

#### Standard Finish

Weathered Brass	WB
-----------------	----

Stock powder coated colors displayed are subject to varying lead-times and will incur an additional cost. A Limited Warranty applies to all powder coated products. Custom colors are available upon request. Please inquire about cost and lead times. Contact factory for custom colors and matching paint options.

**FLEX™** Unique Lighting Systems® fixtures are available with LED lamps. Please specify the lamp code when ordering.

\* Only available with the NL wattage option.

Unique Lighting Systems® reserves the right to modify the design and/or construction of the fixture shown without further notification.

### SPECIFICATIONS

#### Our Commitment

Unique Lighting Systems' highest commitment is to set the standard for manufacturing innovative and quality products. This commitment is evident through our detailed inspection processes and extensive field testing. From the initial design process of each product, to the final assembly of each custom-made individual part, our manufacturing process accomplishes the highest level of performance and durability carried through to final delivery to the end user. Durable construction and beautiful styling make Unique™ fixtures the ideal solution for any residential and/or commercial application. Unique Lighting™ already holds numerous product patents and we are constantly developing innovative ideas to help expand the lighting industry.

#### Body

Precision machined from solid brass casting. Body design provides enclosed, water resistant wireway to protect wires. Features an integral knuckle for maximum mechanical strength.

#### Gasket

High temperature silicone o-ring for water-tight seal.

#### Knuckle

Machined brass knuckle with a solid brass adjustable thumb screw. Vertical tilt of 270° and horizontal rotation of 360° for easy aiming. The Orbital Lock Nut™ allows for locking the horizontal rotation without adjusting the stake.

#### Shroud

Precision machined and comes with a factory sealed shock resistant tempered glass lens to prevent water intrusion. Accepts up to one additional lens/hex cell accessory.

#### Lens

Comes with a complete set of optical designer lenses including: spread lens, frosted, hex cell.

#### Lamp

For use with a halogen lamp up to 35W PAR36 lamp. **FLEX™** Series LED lamps are available in 6W and 10W PAR36 lamps. LED lamps are available in 2700K and 3000K color temperatures.

#### Electrical Requirements

A remote 12V or 24V transformer required, may be ordered separately from Unique Lighting Systems®. Voltage range for 12V halogen lamps is 10.8V to 12V. Voltage range for 24V halogen lamps is 21.6V to 24V. Voltage range for **FLEX™** Series LED PAR36 lamps is 10V-15V.

#### Lamp Connection

PAR 36: Screw terminal.

#### Wiring

Exclusive UF Intelli-Flex wire with anti-moisture migration connections.

#### Mounting Stake

Standard mounting stake is injection molded PVC with a ½" NPS threaded female fitting.

#### Finish

Exclusive Weathered Brass finish is standard. Unique™ Lightings' Weathered Brass finish is a "living finish" and will naturally patina and change over time. Polyester powder coat finishes are also available (see chart above).

#### Warranty

The Odyssey Family of products from Unique Lighting Systems® carries a limited lifetime warranty against manufacturer's defects.

#### Manufacturing

Manufactured to ISO 9001-2008 Quality Systems Standard



c us

UL 2108:2004 R12.07

CSA C22.2.9.0-96 (R2006)

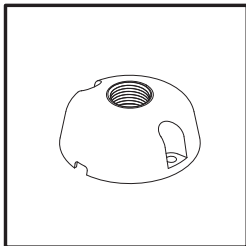


### ACCESSORIES

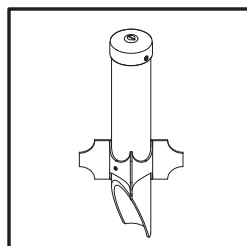
Type	Part #	Description
*Lens	PAR36AXOP	Linear Spread
*Lens	PAR36VIOP	Dimpled Spread
*Lens	PAR36DEOP	Frosted
Lens	PAR36BLUE	Blue
Lens	PAR36GREEN	Green
Lens	MPAR36RED	Red
Lens	PAR36YELLOW	Yellow
Lens	PAR36HEX	Aluminum Hex Louver
*Lense Clip	36 Clip	Lens Retainer Clip
*Lock Nut	2040305	Orbital Lock Nut
Base	SPHEREBASE SB	Round Mounting Base
Bracket	UNIBRACKET	Universal Mounting Bracket (Gutter Bracket)
Stake	GRAVITYSTAKE	Medium stake, brown
*Stake	STABILIZERSTAKE	Large stake, brown
Perma Post	ZEROG	Docking Post
Perma Post	ZEROG-WB	Docking Post W/Brass Cap
Riser	6RISER	6" Brass Riser
Riser	12RISER	12" Brass Riser
Riser	24RISER	24" Brass Riser
Riser	12ADJRISER	12" Adjustable Brass Riser WB
Riser	24ADJRISER	24" Adjustable Brass Riser WB
Riser base	12ADJRISERBASE	12" Adjustable Brass Riser Base WB
Riser base	24ADJRISERBASE	24" Adjustable Brass Riser Base WB

\*Included with standard fixture

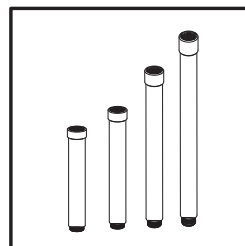
### COMMONLY USED WITH THIS FIXTURE:



Round Mounting Base  
Part # SPHEREBASE SB



Docking Post W/Brass Cap  
Part # ZEROG-WB



Riser - 6", 12", 24" & 36"  
Part # 6RISER  
Part # 12RISER  
Part # 24RISER  
Part # 36RISER



UL 2108:2004 R12.07  
CSA C22.2.9.0-96 (R2006)