

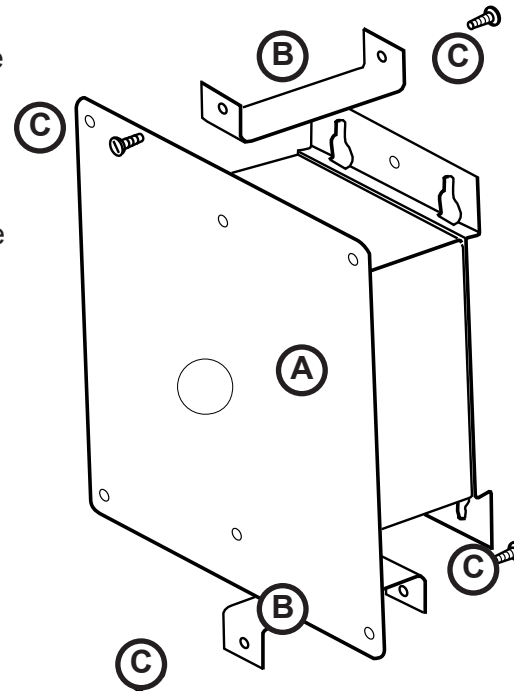
IG1240FMP33 FLUSHMOUNT KIT

Read these instructions and the INSTALLATION INSTRUCTIONS for the IG1240RC3 BEFORE attempting to work on either unit.

! WARNING *Risk of Electric Shock*

- Turn off power to the electric service or panel and to equipment to be protected before installing any Surge Protective Device.
- Installation and Service to be performed by a qualified licensed electrician.
- All wiring must comply with all state and local electrical codes including the National Electric Code and/or Canadian Electric Code.

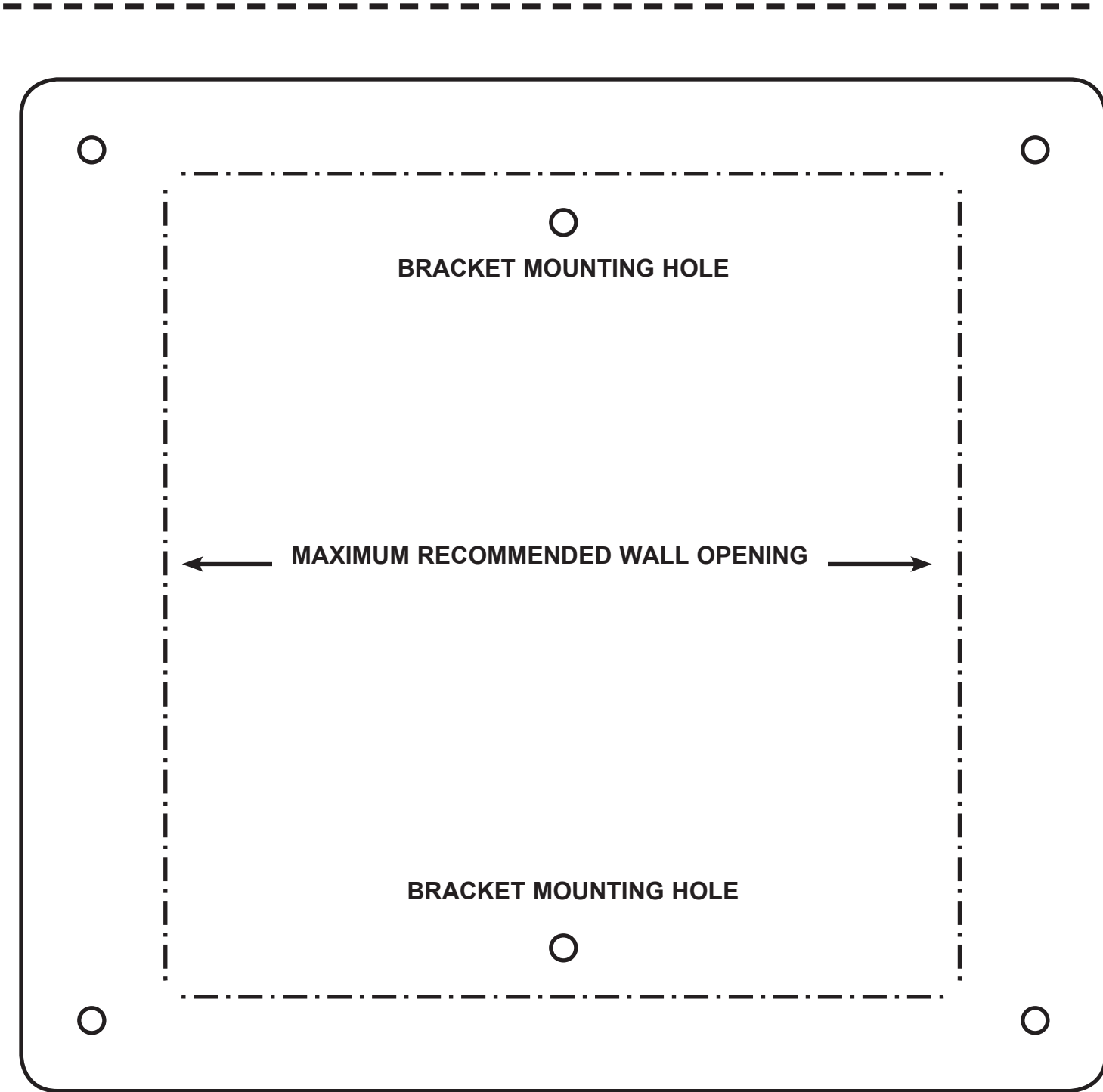
1. Turn the power to the electrical panel OFF.
2. Remove the cover from the electrical panel.
3. Locate a 1/2" knockout in the electrical panel that is appropriate for this installation.
4. Remove the 1/2" knockout.
5. Align the template furnished in this kit with the selected panel knockout and mark the wall for cutting as indicated.
Note: Be sure that the edge of the FLUSH PLATE will clear the edge of the electrical panel cover.
6. Cut the hole as marked.
7. Realign the template with the hole in the wall, mark and drill the locations indicated for the mounting holes.
8. Mount the two standoff brackets (B) to the rear flanges of the IG1240RC3 using two of the self tapping screws supplied. Note that the offset in each bracket must be positioned toward the front cover of the IG1240RC3. The screws will cut a thread into the brackets as they are inserted.
8. Cut a proper length of metal or flexible conduit as required by the National Electrical Code and local electrical codes of your area.
9. Attach the conduit to the IG1240RC3 by passing the lead wires through it and securing the conduit to the IG1240RC3 in accordance with national and local standards.
10. Pass the IG1240RC3 lead wires through the knockout in the electrical cabinet and secure the conduit to the cabinet.
11. Attach the Flush Plate Cover (A) to the brackets already secured to the IG1240RC3 using the remaining two self tapping screws. Note: Make sure that the Cover Plate is positioned to allow the LED Indicators to show through the opening.
12. Secure the IG1240RC3 and attached Flush Plate to the wall using the screws and anchors supplied. Apply self stick label to front of flush mount plate.
13. Connect the wires from the IG1240RC3 in accordance with instructions given in the MODEL IG1240RC3 INSTALLATION INSTRUCTIONS.
14. Replace the electrical panel cover.
15. Turn power to the electrical panel ON.



CONTENTS

- A COVER PLATE
- B STANDOFF BRACKETS - 2
- C SELF TAPPING SCREWS - 4

NOT SHOWN
PLASTIC ANCHORS - 4
SHEET METAL SCREWS - 4



IG1240FMP33 COVER PLATE OUTLINE

ELECTRICAL PANEL GUIDELINE -

Use edge of this template paper for mounting to the left or right of electrical panel.

Use - - - line for mounting above or below the electrical panel.