



Cat. No. / No de cat.  
48-22-9801

## IMPORTANT SAFETY INSTRUCTIONS

**WARNING** READ AND UNDERSTAND ALL INSTRUCTIONS. Failure to follow all instructions listed below, may result in electric shock, fire and/or serious personal injury.

### SAVE THESE INSTRUCTIONS.

1. **SAVE THESE INSTRUCTIONS** - THIS OPERATOR'S MANUAL CONTAINS IMPORTANT SAFETY AND OPERATING INSTRUCTIONS.
2. **DO NOT ALLOW PERSONS UNFAMILIAR WITH THE APPLIANCE, THESE SAFETY INSTRUCTIONS, AND THE TOOL'S OPERATORS MANUAL TO OPERATE THE TOOL.** This appliance can be dangerous in the hands of untrained users.
3. **DO NOT OVERREACH. KEEP PROPER FOOTING AND BALANCE AT ALL TIMES.** This enables better control of the appliance in unexpected situations.
4. **ENSURE ADEQUATE SAFEGUARDS AT THE WORK SITE** (e.g. surveying site when measuring on roads, construction sites, etc.)
5. **WARNING** THE DEVICE PRODUCES VISIBLE LASER BEAMS, WHICH ARE EMITTED FROM THE APPLIANCE. THIS DEVICE IS A CLASS 2 LASER PRODUCT IN ACCORDANCE WITH IEC/EN 60825-1:2014.
6. **LASER LIGHT - DO NOT STARE INTO BEAMS OR VIEW DIRECTLY WITH OPTICAL INSTRUMENTS.** Do not point laser light at others. Laser light can cause eye damage.
7. **AVOID DANGEROUS ENVIRONMENTS.** Do not use in rain, snow, damp or wet locations. Do not use in the presence of explosive atmospheres (gaseous fumes, dust or flammable materials).
8. **MAINTAIN TOOLS. IF DAMAGED, HAVE THE TOOL REPAIRED BEFORE USE.** Accidents may be caused by poorly maintained tools.
9. **USE TOOLS ONLY WITH SPECIFICALLY DESIGNATED ACCESSORIES.** Use of any other accessories may create risk of injury.
10. **THIS TOOL IS DESIGNED TO BE POWERED BY 2 - AAA BATTERIES PROPERLY INSERTED INTO THE TOOL.** Do not attempt to use with any other voltage or power supply.
11. **DO NOT LEAVE BATTERIES WITHIN THE REACH OF CHILDREN.**
12. **DO NOT MIX NEW AND USED BATTERIES.**
13. **DO NOT MIX BRANDS (OR TYPES WITHIN BRANDS) OF BATTERIES.**
14. **DO NOT MIX RECHARGEABLE AND NON-RECHARGEABLE BATTERIES.**
15. **INSTALL BATTERIES ACCORDING TO POLARITY (+ / -) DIAGRAMS.**
16. **PROPERLY DISPOSE OF USED BATTERIES IMMEDIATELY.**
17. **DO NOT INCINERATE OR DISMANTLE BATTERIES.**
18. **UNDER ABUSIVE CONDITIONS, LIQUID MAY BE EJECTED FROM THE BATTERY, AVOID CONTACT. IF CONTACT ACCIDENTALLY OCCURS, FLUSH WITH WATER. IF LIQUID CONTACTS EYES, ADDITIONALLY SEEK MEDICAL HELP.** Liquid ejected from the battery may cause irritation or burns.
19. **WATCH OUT FOR ERRONEOUS MEASUREMENTS IF THE TOOL IS DEFECTIVE OR IF IT HAS BEEN DROPPED, MISUSED OR MODIFIED.**
20. **CARRY OUT PERIODIC TESTS MEASUREMENTS.** Particularly after the tool has been subject to abnormal use, and before, during and after important measurements. Test on known distance before use, to make sure that equipment is functioning correctly.
21. **DO NOT DISPOSE OF TOOL OR BATTERIES TOGETHER WITH HOUSEHOLD WATER MATERIAL!** Appliance and batteries that have reached the end of their life must be collected separately and returned to an environmentally compatible recycling facility.
22. **HAVE YOUR TOOL SERVICED BY A QUALIFIED REPAIR PERSON USING ONLY IDENTICAL REPLACEMENT PARTS.** This will ensure that the safety of the tool is maintained.
23. **MAINTAIN LABELS AND NAMEPLATES.** These carry important information. If unreadable or missing, contact a MILWAUKEE service facility for a free replacement.
24. **THE DEVICE CONFORMS TO THE MOST STRINGENT REQUIREMENTS OF THE RELEVANT ELECTROMAGNETIC COMPATIBILITY (EMC) STANDARDS AND REGULATIONS.** Yet, the possibility of causing interference in other devices cannot be totally excluded.
25. **CAUTION** USE OF CONTROLS OR ADJUSTMENTS OR PERFORMANCE OF PROCEDURES OTHER THAN THOSE SPECIFIED HEREIN MAY RESULT IN HAZARDOUS RADIATION EXPOSURE.

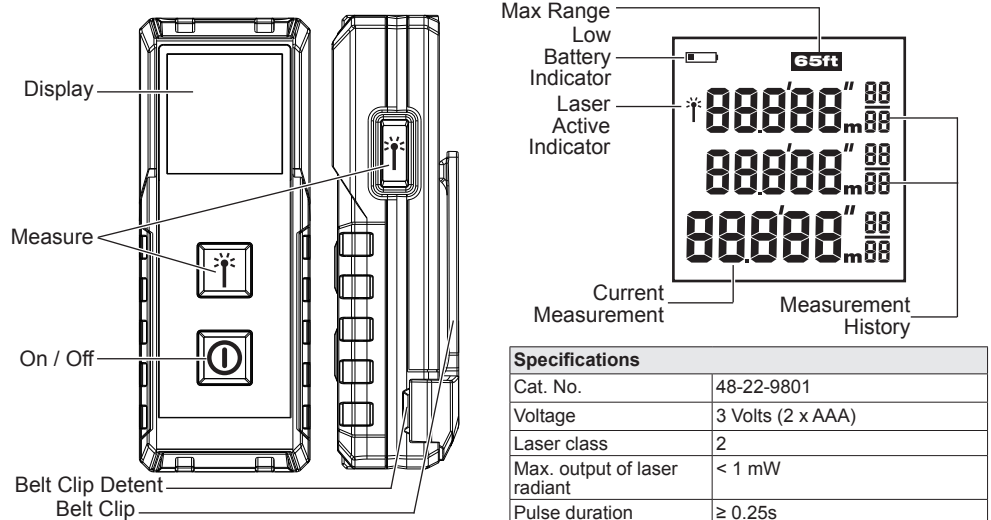
### FCC Federal Communications Commission

**WARNING** Changes or modifications to this unit not expressly approved by the party responsible for compliance could void the user's authority to operate the equipment.

This equipment has been tested and found to comply with the limits for a Class B digital device, pursuant to Part 15 of the FCC Rules. These limits are designed to provide reasonable protection against harmful interference in a residential installation. This equipment generates, uses and can radiate radio frequency energy and, if not installed and used in accordance with the instructions, may cause harmful interference to radio communications. However, there is no guarantee that interference will not occur in a particular installation. If this equipment does cause harmful interference to radio or television reception, which can be determined by turning the equipment off and on, the user is encouraged to try to correct the interference by one or more of the following measures:

- Reorient or relocate the receiving antenna.
- Increase the separation between the equipment and receiver.
- Consult the dealer or an experienced radio/TV technician for help.

### READ AND SAVE ALL INSTRUCTIONS FOR FUTURE REFERENCE



Symbology	
	<b>WARNING</b> Laser Light - Do Not Stare Into Beam
	Direct Current
	Volts
	Read Operator's Manual
	European Conformity Mark
	Laser product - Avoid Exposure: Laser Radiation Is Emitted From This Aperture
<b>LASER 2</b>	Class 2 Laser Product

Specifications	
Cat. No.	48-22-9801
Voltage	3 Volts (2 x AAA)
Laser class	2
Max. output of laser radiant	< 1 mW
Pulse duration	≥ 0.25s
Emitted wavelength	630-670 nm
IP code	IP54
Temperature range:	
Storage	-10° to 60°C / -14° to 140°F
Operation	0° to 40°C / 32° to 104°F

Distance Measurement	
Typical measuring tolerance*	± 3.0 mm / 0.125 in **
Maximum measuring tolerance***	± 7.0 mm / 0.25 in **
Typical range	20 m / 65 ft
Smallest unit displayed	0.001 m / 1/16 in

\* Applies for 100 % target reflectivity (white painted wall), low background illumination, 25 °C  
 \*\* An additional tolerance of 0.05 mm/m should be taken into account.  
 \*\*\* Applies to targets with lower reflectivity, high background illumination, or temperatures approaching the lower/upper limit.

### Changing Batteries

Only use alkaline batteries. Do not use zinc-carbon batteries. If the meter will not be used for a long time, remove the batteries as a protection against corrosion. Change batteries when the battery symbol begins flashing. To change the batteries:

1. Unsnap the belt clip from the meter using the belt clip detent.
2. Press in the tab and lift out the battery door.
3. Insert two AAA batteries according to the polarity marked in the compartment.
4. Install the battery door and belt clip.

### Selecting Units

Press the measure button for 2 seconds to toggle between feet and meters.

### Turning ON/OFF

Press the power button to turn the meter on and off. The backlight turns off after 120 seconds of inactivity; press any button to turn back on. The meter will turn off after 180 seconds of inactivity.

### Measuring

To take a measurement, turn on the meter and point the laser at the target. A live reading is displayed. To freeze the measurement, press the measure button . Press the measure button again to begin another live reading. The previous measurements are moved up into the history fields.

**NOTE:** On some target surfaces: Measuring errors can occur when measuring on some target surfaces, such as colourless liquids, glass, Styrofoam or semi-permeable surfaces or when aiming at high gloss surfaces.

### Error Message

If the error code 500 appears on the display, turn the meter off and back on. If the problem continues, return the tool to the nearest service center for inspection.

### Care

- Clean the tool with a damp, soft cloth.
- Never immerse the device in water.
- Never use aggressive cleaning agents or solvents.

## LASER DISTANCE METER APPAREIL DE MESURE DE LA DISTANCE AU LASER TELÉMETRO LÁSER

### LIMITED WARRANTY

Every MILWAUKEE Laser Distance Meter (model nos. 48-22-9801, -9802, and -9803) is warranted to the original purchaser only to be free from defects in material and workmanship. Subject to certain exceptions, MILWAUKEE will repair or replace any part on this meter which, after examination, is determined by MILWAUKEE to be defective in material or workmanship for a period of three (3) years\* after the date of purchase unless otherwise noted. Return of the meter to a MILWAUKEE factory Service Center, freight prepaid and insured, is required. A copy of the proof of purchase should be included with the return product. This warranty does not apply to damage that MILWAUKEE determines to be from repairs made or attempted by anyone other than MILWAUKEE authorized personnel, misuse, alterations, abuse, normal wear and tear, lack of maintenance, or accidents.

\*Alkaline batteries that ship with the Laser Distance Meter is not warranted by MILWAUKEE.  
 ACCEPTANCE OF THE EXCLUSIVE REPAIR AND REPLACEMENT REMEDIES DESCRIBED HEREIN IS A CONDITION OF THE CONTRACT FOR THE PURCHASE OF EVERY MILWAUKEE PRODUCT. IF YOU DO NOT AGREE TO THIS CONDITION, YOU SHOULD NOT PURCHASE THE PRODUCT. IN NO EVENT SHALL MILWAUKEE BE LIABLE FOR ANY INCIDENTAL, SPECIAL, CONSEQUENTIAL OR PUNITIVE DAMAGES, OR FOR ANY COSTS, ATTORNEY FEES, EXPENSES, LOSSES OR DELAYS ALLEGED TO BE AS A CONSEQUENCE OF ANY DAMAGE TO, FAILURE OF, OR DEFECT IN ANY PRODUCT INCLUDING, BUT NOT LIMITED TO, ANY CLAIMS FOR LOSS OF PROFITS. SOME STATES DO NOT ALLOW THE EXCLUSION OR LIMITATION OF INCIDENTAL OR CONSEQUENTIAL DAMAGES, SO THE ABOVE LIMITATION OR EXCLUSION MAY NOT APPLY TO YOU. THIS WARRANTY IS EXCLUSIVE AND IN LIEU OF ALL OTHER WARRANTIES, WRITTEN OR ORAL. TO THE EXTENT PERMITTED BY LAW, MILWAUKEE DISCLAIMS ANY IMPLIED WARRANTIES, INCLUDING WITHOUT LIMITATION ANY IMPLIED WARRANTY OF MERCHANTABILITY OR FITNESS FOR A PARTICULAR USE OR PURPOSE; TO THE EXTENT SUCH DISCLAIMER IS NOT PERMITTED BY LAW, SUCH IMPLIED WARRANTIES ARE LIMITED TO THE DURATION OF THE APPLICABLE EXPRESS WARRANTY AS DESCRIBED ABOVE. SOME STATES DO NOT ALLOW LIMITATIONS ON HOW LONG AN IMPLIED WARRANTY LASTS, SO THE ABOVE LIMITATION MAY NOT APPLY TO YOU. THIS WARRANTY GIVES YOU SPECIFIC LEGAL RIGHTS, AND YOU MAY ALSO HAVE OTHER RIGHTS WHICH VARY FROM STATE TO STATE. This warranty applies to product sold in the U.S.A. and Canada only.

### LIMITED WARRANTY - MEXICO, CENTRAL AMERICA & CARIBBEAN

TECHTRONIC INDUSTRIES' warranty is for 3 years since the original purchase date. This warranty card covers any defect in material and workmanship on this Product. To make this warranty valid, present this warranty card, sealed/stamped by the distributor or store where you purchased the product, to the Authorized Service Center (ASC). Or, if this card has not been sealed/stamped, present the original proof of purchase to the ASC. Call toll-free 01 (800) 030-7777 to find the nearest ASC, for service, parts, accessories or components.

**Procedure to make this warranty valid:** Take the product to the ASC, along with the warranty card sealed/stamped by the distributor or store where you purchased the product, and any faulty piece or component will be replaced without cost for you. We will cover all freight costs relative with this warranty process.

### Exceptions

- This warranty is not valid in the following situations
- a) When the product is used in a different manner from the end-user guide or instruction manual.
  - b) When the conditions of use are not normal.
  - c) When the product was modified or repaired by people not authorized by TECHTRONIC INDUSTRIES.

**Note:** If cord sets are damaged, it should be replaced by an Authorized Service Center to avoid electric risks.

SERVICE AND ATTENTION CENTER  
Call to 01 (800) 030-7777

IMPORTED AND COMMERCIALIZED BY  
TECHTRONIC INDUSTRIES MEXICO, SA DE CV  
Av President Masarik #29 piso 7, Col. Polanco V Sección  
CP 11560, Deleg. Miguel Hidalgo, CDMX

Model: \_\_\_\_\_  
 Date of Purchase: \_\_\_\_\_  
 Distributor or Store Stamp: \_\_\_\_\_

## INSTRUCTIONS IMPORTANTES CONCERNANT LA SÉCURITÉ

**AVERTISSEMENT** LIRE ET VEILLER À BIEN COMPRENDRE TOUTES LES INSTRUCTIONS. Le non-respect des instructions ci-dessous peut entraîner un choc électrique, un incendie et des blessures graves.

### CONSERVER CES STRUCTIONS.

1. **CONSERVER CES INSTRUCTIONS** – CE MANUEL D'UTILISATION CONTIENT DES INSTRUCTIONS IMPORTANTES DE SÉCURITÉ ET DE FONCTIONNEMENT.
2. **NE PAS PERMETTRE AUX PERSONNES NON FAMILIARISÉES AVEC L'APPAREIL, AVEC CES INSTRUCTIONS DE SÉCURITÉ ET LE MANUEL D'UTILISATEUR DE FAIRE FONCTIONNER L'APPAREIL.** L'appareil peut être dangereux dans les mains d'utilisateurs novices.
3. **NE PAS TRAVAILLER HORS DE PORTÉE. TOUJOURS SE TENIR BIEN CAMPÉ ET EN ÉQUILIBRE.** Une bonne stabilité procure un meilleur contrôle de l'appareil en cas d'imprévu.
4. **S'ASSURER QUE TOUS LES MÉCANISMES DE PROTECTION ADEQUATS SONT APPLIQUÉS AU SITE DE TRAVAIL** (par ex. la surveillance du site en mesurant les routes, les sites de construction, etc.)
5. **AVERTISSEMENT** ÉMIS DE L'APPAREIL. CE DISPOSITIF EST UN PRODUIT AU LASER DE CLASSE 2 CONFORMÉMENT À LA NORME CEI 60825-1:2014
6. **LAMPE LASER – NE PAS FIXER DIRECTEMENT LE FAISCEAU OU L'EXAMINER DIRECTEMENT AU MOYEN D'INSTRUMENTS D'OPTIQUE.** Ne pas diriger la lampe laser vers les autres personnes. La lampe laser peut provoquer des lésions oculaires.
7. **ÉVITER LES ENVIRONNEMENTS DANGEREUX.** Ne pas exposer l'appareil à la pluie ou à la neige et ne pas l'utiliser dans un endroit humide ou mouillé. Ne pas utiliser l'appareil dans un endroit propice aux explosifs (fumées gazeuses, poussières ou matériaux inflammables).
8. **ENTRETIEN DES OUTILS. EN CAS DE DOMMAGES, FAIRE RÉPARER L'OUTIL AVANT L'UTILISATION.** Des accidents peuvent être causés par des outils mal entretenus.
9. **UTILISER LES OUTILS UNIQUEMENT AVEC LES ACCESSOIRES RECOMMANDÉS.** L'usage de tout autre accessoire peut créer un risque de blessure.
10. **CET OUTIL FONCTIONNE AVEC 2 PILES AAA QUI DOIVENT ÊTRE INSTALLÉES CORRECTEMENT DANS L'OUTIL.** Ne pas tenter d'utiliser cet outil avec une autre tension.
11. **NE PAS LAISSER LES PILES À LA PORTÉE DES ENFANTS.**
12. **NE PAS MÉLANGER DES PILES NEUVES ET USÉES.**
13. **NE PAS MÉLANGER DES PILES DE MARQUES DIFFÉRENTES (OU DES PILES DE MÊME MARQUE, MAIS DE TYPES DIFFÉRENTS).**
14. **NE PAS MÉLANGER DES PILES RECHARGEABLES ET NON RECHARGEABLES.**
15. **INSTALLER LES PILES EN RESPECTANT LA POLARITÉ (+ ET -) INDIQUÉE.**
16. **SE DÉBARRASSER ADEQUATEMENT ET IMMÉDIATEMENT DES PILES USÉES.**
17. **NE PAS BRÛLER OU DÉMONTÉ LES PILES.**
18. **ÉVITER TOUT CONTACT AVEC LE LIQUIDE POUVANT ÊTRE ÉJECTÉ DE LA BATTERIE EN CAS DE MANUTENTION ABUSIVE. EN CAS DE CONTACT ACCIDENTEL, RINCER IMMÉDIATEMENT LES PARTIES ATTEINTES AVEC DE L'EAU. SI LE LIQUIDE ENTRE EN CONTACT AVEC LES YEUX, CONSULTER UN MÉDECIN.** Le liquide éjecté des piles peut causer des irritations ou des brûlures.
19. **FAIRE ATTENTION AUX MESURES ERRONÉES SI L'APPAREIL EST DÉFECTUEUX OU S'IL EST TOMBÉ, MAL UTILISÉ OU MODIFIÉ.**
20. **EFFECTUER DES MESURES D'ESSAI DE FAÇON PÉRIODIQUE.** Particulièrement après une utilisation anormale, et avant, pendant et après avoir effectué des mesures importantes. Pour vous assurer que l'équipement fonctionne correctement, faire un test de distance avec une pièce de mesure connue.
21. **NE PAS JETER L'APPAREIL OU LES BATTERIES AVEC LES DÉCHETS DE VOTRE FOYER!** L'appareil et les piles qui ont atteint la fin de leur durée de vie utile doivent être ramassés séparément et retournés à une installation de recyclage écologique.
22. **LA RÉPARATION DE L'OUTIL DOIT ÊTRE CONFÉE À UN TECHNICIEN QUALIFIÉ, UTILISANT EXCLUSIVEMENT DES PIÈCES IDENTIQUES À CELLES D'ORIGINE.** Le maintien de la sûreté de l'outil sera ainsi assuré.
23. **MAINTENIR EN ÉTAT LES ÉTIQUETTES ET LES PLAQUES SIGNALÉTIQUES.** Des informations importantes y figurent. Si elles deviennent illisibles ou manquantes, contacter un centre de services et d'entretien MILWAUKEE pour un remplacement gratuit.
24. **LE DISPOSITIF SE CONFORME AUX EXIGENCES STRICTES DES RÉGLEMENTATIONS ET DES NORMES RELATIVES À LA COMPATIBILITÉ ÉLECTROMAGNÉTIQUE.** Cependant, la possibilité de causer des interférences avec d'autres dispositifs ne peut pas être totalement exclue.
25. **ATTENTION** L'UTILISATION DE RÉGLAGES OU PROCÉDURES AUTRES QUE CEUX INDIQUÉS DANS LES PRÉSENTES POURRAIT PRODUIRE UN NIVEAU D'EXPOSITION AUX RADIATIONS DANGEREUX.

### FCC Federal Communications Commission

**AVERTISSEMENT** Les changements ou les modifications apportés à cette unité non expressément approuvés par l'organisme responsable de la conformité peuvent annuler l'autorité de l'utilisateur à utiliser cet équipement.

Cet équipement a été testé et déclaré conforme aux limites des dispositifs numériques de classe B, en vertu de la section 15 des réglementations de la FCC. Ces limites ont pour but de fournir une protection raisonnable contre les interférences nuisibles dans le cadre d'une installation résidentielle. Cet équipement génère, utilise et peut émettre de l'énergie de radiofréquence. Il est donc recommandé de l'installer et de l'utiliser conformément aux instructions afin d'éviter toute interférence nuisible aux communications radio.

Cependant, il n'existe aucune garantie selon laquelle des interférences ne se produiront pas dans le cas d'une installation spécifique. Si cet appareil provoque des interférences nuisibles pour les réceptions radio et télévisées, ce qui peut être déterminé en l'éteignant puis en le rallumant, il est conseillé d'y remédier en suivant l'une ou plusieurs des mesures suivantes:

- Réorienter ou repositionner l'antenne réceptrice.
- Augmenter l'espace entre l'équipement et le récepteur.
- Consulter le concessionnaire ou un technicien radio/TV expérimenté pour obtenir de l'aide.

### LIRE ET CONSERVER TOUTES LES INSTRUCTIONS POUR RÉFÉRENCE ULTÉRIEURE.

