

Type:

Model:

ENCLAVE Path Light Fixture 16"

ORDER CODE:

489909-16

SPECIFICATIONS

HOUSING:

Cast brass

FINISH:

Weathered brass. Custom powder coated colors available.

SOCKET/LAMP HOLDER:

One fixed ceramic bi-pin socket accepts bi-pin lamps with G4 or GY6.35 base.

LENS:

Tempered glass.

LAMP TYPE:

12V bi-pin. LED recommended. 30W halogen or 6W LED maximum.

MOUNTING:

Heavy-duty composite stake included.

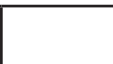

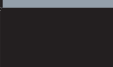
WIRING:

Prewired with 5' pigtail of 18/2 cable.

WARRANTY:

Lifetime.

ARCHITECTURAL COLORS:

FINE TEXTURE WHITE	
FINE TEXTURE SILVER	
FINE TEXTURE BLACK	

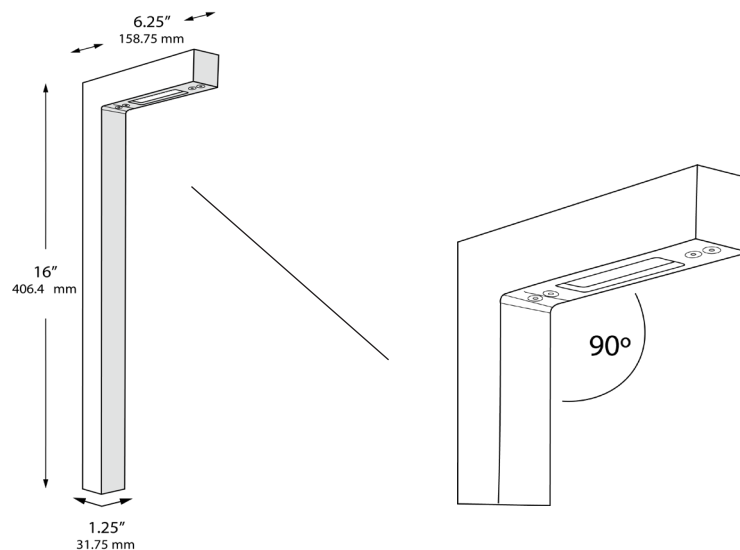
(489909-16-WH)

(489909-16-S)

(489909-16-BLK)



DIMENSIONS:



LED LAMP SPECIFICATIONS

LAMP TYPE:

Dauer encapsulated bi-pin with 5-year warranty.

COLOR TEMPERATURES:

2700K or 3000K. Decorative colors include amber, blue, green and red.

FIXTURE ORDERING INFORMATION

To order a lamped fixture, select the appropriate choice from each column as in the following example:

EXAMPLE: 489909-16-4W-E-2700K-MR



FIXTURE	LAMP			MOUNTING
	WATTAGE	TYPE	COLOR TEMP.	
489909-16 489909-16-WH 489909-16-S 489909-16-BLK	2W	E Encapsulated bi-pin	2700K / 3000K	MS Composite stake (incl.) 490034 M3 Trident Heavy-Duty 3-Prong Stake 490036 PM Round pier mount 490057 MR Round tapered 3-hole surface mount 490048 MP PVC/Brass post stake 490037
	3W	E Encapsulated bi-pin	2700K / 3000K	
	3.3W	S SMD bi-pin	Amber / Blue / Green / Red	
	4W	E Encapsulated bi-pin	Amber	
	4W	E Encapsulated bi-pin	2700K / 3000K	
	4W	E Encapsulated bi-pin	2700K-HO / 3000K-HO	