

Type:

Model:

## OMNI Half-Cut Path Light Fixture

**ORDERING CODE:**

489905 (clear lens)  
489905-FR (frosted lens)

**SPECIFICATIONS**

**HOUSING:**

Cast brass.

**FINISH:**

Weathered brass. Custom powder coated colors available.

**LENS:**

Clear or frosted polycarbonate lens.

**STEMS:**

10" (Model 490025), 16" (Model 490023) and 18" (Model 490026) stems are sold separately.

**SOCKET/LAMP HOLDER:**

One fixed ceramic bi-pin socket in stem accepts bi-pin lamps with G4 or GY6.35 bases.

**LAMP TYPE:**

12V bi-pin. LED recommended. Halogen 30W maximum or 6W LED maximum.

**MOUNTING:**

Threaded with 1/2" NPT. Heavy-duty composite stake included with stem, sold separately. May be mounted into threaded hubs in junction boxes or other mounting accessories.

**WIRING:**

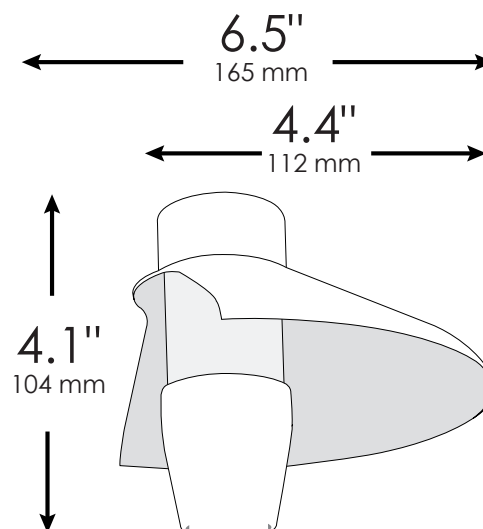
Stem (sold separately) is pre-wired with 5' pigtail of 18/2 cable.

**WARRANTY:**

Lifetime.



### DIMENSIONS:



**LED LAMP SPECIFICATIONS**

**LAMP TYPE:**

12V Dauer bi-pin with 5-year warranty, dimmable, and suitable for enclosed luminaires.

**COLOR TEMPERATURES:**

Color temperature options provide the following qualities: 2700k or 3000K. Decorative color light options include amber, blue, green, and red.



**FIXTURE ORDERING INFORMATION**

To order a lamped fixture with mounting options, select the appropriate choice from each column as in the following example:

EXAMPLE: 489905-490025-4W-2700K-MS

FIXTURE	STEM	LAMP		MOUNTING
		WATTAGE	COLOR TEMP.	
489905 489905-FR	490025 (10")	2W	2700K / 3000K / 6000K	<b>MS</b> Composite stake (incl.) 490034
		3W	2700K / 3000K / 6000K	<b>M3</b> Trident Heavy-Duty 3-Prong Stake 490036
	490023 (16")	3.3W	Amber / Blue / Green / Red	<b>PM</b> Round pier mount 490057
		4W	Amber	<b>MR</b> Round tapered 3-hole surface mount 490048
		4W	2700K / 3000K	<b>MP</b> PVC/Brass post stake 490037
	490026 (18")	4W	2700K-HO / 3000K-HO	
		4W	2700K-HO / 3000K-HO	