



# Electronic 4 - Circuit Astronomic 7 - Day Time Switch

## MODEL ET8415CR Installation and Setup Instructions

With Supercapacitor Carryover

### Description

This document explains the setup and configuration of the Intermatic ET8415 4-Circuit Electronic Astronomic 7-Day Time Switch. The ET8415 time switch automatically switches loads to a preset weekly schedule. The time switch can support up to 28 fixed ON and 28 fixed OFF events (56 total) and up to four Astro events. Each event can be applied to any combination of circuits and days.

The time switch features an LCD and panel-mounted control buttons to set, review, and monitor the time switch functions, including enabling or disabling Daylight Saving Time (DST) and configuring DST switchover dates. Follow these instructions to complete the installation and programming for the ET8415 time switch.



### Federal Communications Commission (FCC) Notice for ET8415 Time Switch

*This device complies with part 15 of the FCC rules. Operation of this device is subject to the following two conditions: (1) This device may not cause harmful interference, and (2) This device must accept any interference, including interference that may cause undesired operation. This equipment has been tested and found to comply with the limits for a Class A digital device, pursuant to Part 15 of the FCC Rules. These limits are designed to provide reasonable protection against harmful interference when the equipment is operated in a commercial environment. This equipment generates, uses and radiates radio frequency energy and, if not installed and used in accordance with instructions, may cause harmful interference to radio communications. Operation of this equipment in a residential area is likely to cause harmful interference that requires the user to correct at his or her own expense.*

### Installation

#### **! WARNING** Risk of Fire or Electric Shock

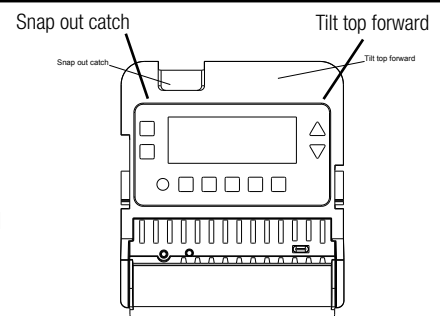
- Disconnect power at the circuit breaker(s) or disconnect switch(es) before installing or servicing.
- More than one circuit breaker or disconnect switch may be required to de-energize the equipment before servicing.
- Bonding between conduit connections is not automatic and must be provided as part of the installation.
- Installation and/or wire must be in accordance with National and Local Electrical Code requirements.
- Use #14 - #8 AWG wires, rated at least 90°C - COPPER conductors ONLY.
- If the power disconnect point is out of sight, lock it in the OFF position and tag it to prevent unexpected application power.
- Make sure there is not wire insulation under the terminal plate on the time switch connector. Firmly tighten terminal screws.
- Replace plastic insulator covering terminals before powering ON.
- KEEP DOOR CLOSED AT ALL TIMES when not servicing.

#### NOTICE

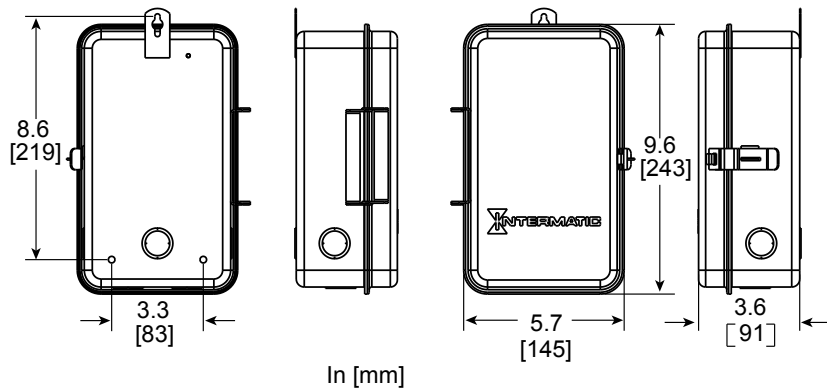
Do not touch the circuit board components. Contact with the circuit board components can create static discharge, which can damage the microprocessor.

Follow these instructions to install the time switch.

1. Open the time switch enclosure door.
2. Press the catch at the top of the case and pull out the mechanism from the case.
3. Choose a knockout to remove from the enclosure.  
**NOTE:** There are five 1/2 inch to 3/4 inch combination knockouts available. There are two on the bottom of the enclosure, one on each side, and one on the rear.
4. Insert a flathead screwdriver into the slot of a 1/2 inch knockout and punch loose and remove.  
**NOTE:** If a 3/4 inch knockout is needed, remove the 1/2 inch knockout first, then the outer ring. Smooth edge if necessary.



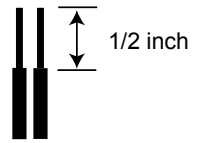
5. Place the enclosure in the desired location, position at eye level, and provide space for the enclosure door to swing open fully.



6. Drill the holes and then clean out each hole.
7. Insert plastic anchors into the holes, if needed.
- IMPORTANT:** If you are bringing power wires and wires for connecting applications through the back of the enclosure, connect the wires before mounting the enclosure. Refer to the wiring diagrams in this manual.
8. Insert the top screw into the top hole and tighten. Hang enclosure.
9. Insert the remaining screws into the other holes and tighten.
10. Replace the time switch in the enclosure.
11. Remove and retain the screw that secures the plastic insulator.
12. Lift the left side of the plastic insulator off the retaining post and pivot it away to expose the terminal strip.

**NOTE: Do not remove the insulator.**

13. Strip the supply and load wires to 1/2". Use AWG#14-#8 copper 105° conductors only. Torque to 15.6 lbf-in.
14. Connect the wires to the proper terminals on the time switch connector and tighten the screws firmly. See wire diagrams.



15. Connect ground wire to grounding terminal at the bottom of the enclosure.
- NOTE: Make sure no wire insulation is caught in the terminal.**
16. Return the insulator to its original position and replace the screw.
17. Close the enclosure door.
18. Apply power to the time switch.

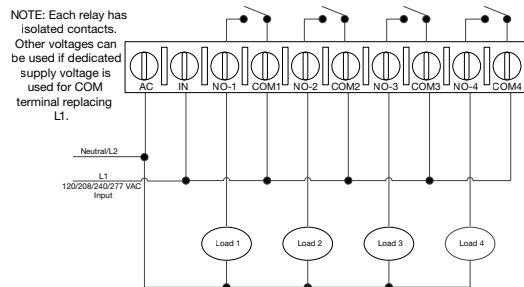
There are many different ways to set the relays on the ET8415CR Time Switch. The four relays can be used individually or in pairs of two. Refer to the table below for a complete list of ways to set the relays and the illustrations for some of the common wiring installations.

IND/IND	SIM/IND	PUL/IND
IND/SIM	SIM/SIM	PUL/SIM
IND/PUL	SIM/PUL	PUL/PUL

Note\* IND = Independent SIM = Simultaneous PUL = Pulse

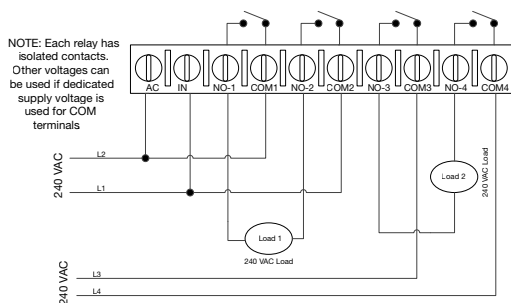
**EXAMPLE:**

4x SPST  
Operation Mode set to "IND", Input and Output voltage are the same



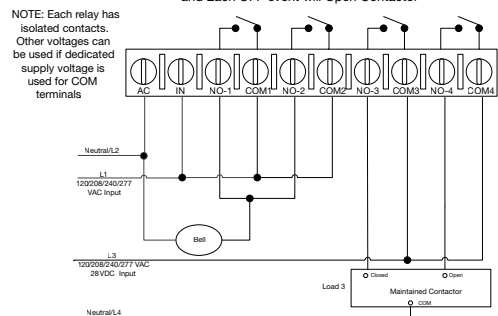
**EXAMPLE:**

2x DPST  
Operation Mode set to "SIM" for both sets of contacts Input and Output voltage are the same



**EXAMPLE:**

2 x Pulse  
Operation Mode set to "PUL" For both sets of contacts Each ON and OFF event for Circuit 1 will ring the bell. Each ON event for Circuit 3 will Close Contactor and Each OFF event will Open Contactor



## Programming Overview

Press **MODE** to scroll through the menus and program the current date, time, Astro zone, Astro events, and fixed events.

Press **+ or -** to configure the first part of a setting, such as **MONTH**. Press the **ENTER/NEXT** button to move to the next part of the setting, such as **YEAR**, and then press **MODE** to exit and move to the next menu. Press **MODE** to skip a menu, correct an entry, and scroll back to an error, and adjust.

**NOTE: If the time switch is left inactive for five minutes in a programming mode, it will return to the time of day screen. If no events are programmed, the time switch will return to manual mode.**

## Initial Setup

The following sections provide instructions for the initial setup of the time switch.

### Setting The Operational Mode

The time switch operational modes enable users to control multiple loads simultaneously (SIM), independently (IND), or with a 2-second pulse (PUL). In PUL mode an ON event or manual override causes the first circuit to turn ON for two seconds, then OFF. An OFF event or manual override causes the second circuit to turn ON for two seconds, then OFF. Loads 1 and 2 and 3 and 4 can be set to different operational modes.

**NOTE: The operational modes can only be accessed at initial startup of the unit or after the unit memory is cleared.**

Follow this procedure to set the operational mode(s).

1. Activate power to the time switch. **The screen displays ENTER/NEXT.**
2. Press **+ or -** to scroll to the desired operational mode for loads 1 and 2.
3. Press **ENTER/NEXT** to scroll to the operational mode for loads 3 and 4.

**NOTE: Operational Mode is set according to load pair. Set the operational mode for loads 1 and 2 first, then loads 3 and 4.**

4. Press **ENTER/NEXT** to save the setting.

### Setting Date and Time

Follow this procedure below to set the date and time in the time switch.

**NOTE: If necessary, hold + or - to scroll through the digits rapidly.**

1. Press **MODE** to scroll through the menus until **SET** and **DATE** appear at the top of the display. The month flashes.
2. Press **+ or -** to select the current month and then press **ENTER/NEXT**. The day of the month flashes.
3. Press **+ or -** to select the current day of the month, and then press **ENTER/NEXT**. The year flashes.
4. Press **+ or -** to enter the current year, and press **ENTER/NEXT**.
5. Press **MODE** to advance to the set clock screen. A flashing **12:00** appears.
6. Press **+ or -** to enter the current time and press **MODE** to save and exit.

### Enable/Disable Daylight Saving Time and Setting Daylight Saving Time Rule

Configure the time switch to automatically adjust for Daylight Saving Time (DST). If DST does not apply to your region, disable the option as directed in this procedure. Follow this procedure to enable/disable the Daylight Saving Time, and if applicable, set the DST rule.

1. Press **MODE** to scroll through the menus until **SET** and **DST** appear.
2. Press **+ or -** to display **ON** (enable DST) or **OFF** (disable DST) and then press **ENTER/NEXT** to save.
3. Take one of these actions.

<i>If DST is...</i>	<i>Then...</i>
<i>Enabled,</i>	<i>Go to step 4.</i>
<i>Disabled,</i>	<i>Press to MODE exit. The procedure is complete.</i>

4. Press **+ or -** to scroll to the desired time zone rule.

**NOTE: The time zone rules are US2007 (US time zone rules), MX1986 (Mexico time zone rules), and CUSTOM (user-defined time zone start/end dates).**

**NOTE: To view the start and end dates for a time zone rule, press ENTER/NEXT to scroll through the dates.**

5. Take one of these actions.

<i>If you select...</i>	<i>Then...</i>
<i>US2007 or MX1986,</i>	<i>Go to step 10.</i>
<i>Custom,</i>	<i>Press ENTER/NEXT. The screen displays a flashing MAR and 2ND. Go to step 6.</i>

6. Press + or - to select a starting month for customized DST and press **ENTER/NEXT**.

7. Press + or - to select a starting week (1st, 2nd, 3rd, 4th, or **LST**) and press **ENTER/NEXT**.

**NOTE:** DST begins at 2:00 A.M. on Sunday of the user-configured starting and ending weeks. Select **LST** for the fifth a Sunday of a month.

8. Press + or - to select an ending month and press **ENTER/NEXT**.

9. Press + or - to select an ending week and press **ENTER/NEXT**.

10. Press **MODE** to save the DST rule and exit.

## Setting Astro Zone and Time Zone Mode

The Astro Zone command enables users to set the geographical location (country, state or province, and quadrant). of the time switch. Follow this procedure to set the Astro Zone for the time switch.

1. Press **MODE** to scroll until **ASTRO ZONE** appears at top of the screen. The screen displays **AL** and **C** and a flashing **USA**.

2. Press + or - to select the country (USA, Canada, or Mexico) and press **ENTER/NEXT**.

3. Take one of these actions.

<i>If you selected...</i>	<i>Then...</i>
<i>USA or Canada,</i>	<i>Press + or - to select the desired state or province and press ENTER/NEXT. Go to step 4.</i>
<i>Mexico,</i>	<i>Go to step 4.</i>

4. Press + or - to select to the applicable quadrant and press **ENTER/NEXT**. The **LAT** (latitude) screen appears.

**NOTE:** Each state, province, and country are divided into geographical quadrants. Choose the quadrant that is most applicable to your location. The number of quadrants vary by state, province, and country.

5. Determine if the latitude for your location needs to be set.

**NOTE:** In most cases, the quadrant provides an accurate location for your time switch. Certain states require a latitude and longitude to be set in the time switch. If this is a requirement, follow the applicable steps to set a latitude and longitude.

6. Take one of these actions.

<i>If...</i>	<i>Then...</i>
<i>Latitude needs to be set,</i>	<i>Press + or - to select the latitude and press ENTER/NEXT. The longitude screen appears. Go to step 7.</i>
<i>Latitude does not need to be set,</i>	<i>Press ENTER/NEXT to scroll past the latitude and longitude screens to the TZCENT screen. Go to step 8.</i>

**NOTE:** If necessary, press + or - simultaneously to return to the region screen.

7. Press + or - to select the longitude and press **ENTER/NEXT**. The **TZCENT** screen appears.

8. Press + or - to scroll to select the required time zone and press **ENTER/NEXT**. See table for a description of the time zones.

<i>Time Zone Options</i>	<i>Description</i>
<i>TZ HAI</i>	<i>Hawaiian time zone</i>
<i>TZ ALS</i>	<i>Alaskan time zone</i>
<i>TZPACI</i>	<i>Pacific time zone</i>
<i>TZMntN</i>	<i>Mountain time zone</i>
<i>TZCENT</i>	<i>Central time zone</i>
<i>TZEAST</i>	<i>Eastern time zone</i>
<i>TZATLN</i>	<i>Atlantic time zone</i>
<i>TZNFLD</i>	<i>Newfoundland time zone</i>

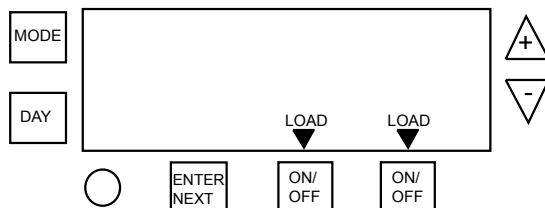
9. Press **MODE** to save the settings.

## Setting Sunup and Sunset Times

Multiple sunrise and sunset offsets can be configured for different areas in a facility. For example, a user can configure a sunrise offset for the lights in a parking lot to turn off one hour after normal sunrise.

Follow this procedure to set sunup and sunset times.

1. Press **MODE** and scroll until **SET SUNUP** appears at the top of the screen. The default time for the LOAD appears.
2. Press **+ or -** to adjust the time for the sunup or sunset and press **ENTER/NEXT**. The **OFFSET** screen appears, followed by the offset time digit (in minutes).
3. Press **+ or -** to adjust the offset and press **ENTER/NEXT** to save.  
**NOTE:** Offsets can be set to a maximum of 2 hours (120 minutes) before or after a sunup or sunset time. A minus sign (-) appears before the digit to indicate minutes before the sunup or sunset time.
4. If applicable, press the next **ON/OFF** button in sequence for the next load.



5. Repeat steps 2 through 4 as needed to configure times for additional loads.
6. When all the loads are set, press **MODE** to save the settings. The time switch displays **SET SUNSET** at the top of the screen and **LOAD 1**.
7. Repeat steps 2 through 6 as necessary to set sunset times.
8. When all the sunup and sunset times are configured, press **MODE** to save.

## Setting Astro and Fixed Events

Users can configure Astro events, fixed timed events, or a combination of Astro and fixed timed events.

Perform the applicable instructions below.

- To set Astro events only, perform the procedure Setting Astro On/Off Events
- To set fixed timed events only, perform the procedure Setting Fixed Timed Events
- To set a combination of Astro and fixed events, perform the procedure Setting Astronomic and Fixed Events

## Setting Astro On/Off Events

Access the Astro Events screen to configure Astronomic ON/OFF events for days of the week and circuits. The time switch enables one Astronomic ON (at sunset) and one Astronomic OFF (at sunup) per day of the week for each load. Follow this procedure to set Astro ON/OFF Events.

1. Press **MODE** to scroll to **SET ASTRO ON/OFF EVENTS**.
2. Press **DAY**. The screen displays **SUNSET** (or **SUNUP**), the days of the week, and the load number.  
**NOTE:** If you are creating an Astro event as directed in Setting Astronomic and Fixed Events, press **ENTER/NEXT** to adjust between **SUNSET** or **SUNUP**.
3. Press **DAY** to select the days (**MON-SUN, MON-FRI, SAT-SUN**), or a user-configured group of days) you want the Astro event to occur.
4. The screen displays the configured days under **SUNSET** or **SUNUP**. Press **DAY** to add or remove a group of days. To select individual days, press **DAY** and scroll through options until **ON** and **MON** flash on the screen.
5. Take one of these actions.

If you select...	Then...
<b>MON-SUN, MON-FRI, SAT-SUN,</b>	Press <b>ENTER/NEXT</b> to save. Go to step 6. <b>NOTE:</b> If you are performing the procedure Setting Astronomic and Fixed Events, return to step 2 of the procedure.
<b>Individual days, (ON and MON),</b>	Press <b>+ or -</b> to select Astro event <b>ON</b> or <b>-- (OFF)</b> for the flashing day of the week and press <b>DAY</b> . Go to step 5.

6. Repeat the process for each day of the week. When all the individual days are configured, press **ENTER/NEXT** to save.  
**NOTE:** If you are performing the procedure Setting Astronomic and Fixed Events, return to step 2 of the procedure.
7. Repeat steps 3 through 5 to configure **SUNUP OFF**. When both **SUNSET** and **SUNUP** are set, go to step 7.
8. Take one of these actions:

If...	Then...
You want to configure an Astro event for another load,	Press <b>ENTER/NEXT</b> . Repeat steps 3 through 6.
All the required Astro events are set,	Press <b>MODE</b> to exit. The procedure is complete.

## Setting Fixed Timed Events

Access the Fixed ON/OFF screen to set fixed switching times. Odd-numbered events are for ON switching and even-numbered events are for OFF switching. Follow these steps to set fixed time events.

1. Press **MODE** to scroll until **SET FIXED ON@** appears on the screen.
2. Press **DAY**. The screen displays **12:00 am**, the days of the week, and the event number.  
**NOTE:** *If you are performing the procedure Setting Astronomic and Fixed Events, press **ENTER/NEXT** to adjust between Fixed ON@ and Fixed OFF@ and then press **DAY**.*
3. Press **+ or -** to set the starting time for the fixed event.
4. Press **DAY** to select the days (**MON-SUN, MON-FRI, SAT-SUN**), or a user-configured group of days) you want fixed event to occur.  
**NOTE:** *To select the individual days, press **DAY** to scroll through the options until **ON** and **MON** flash on the screen.*
5. Take one of these actions:

<i>If you select...</i>	<i>Then...</i>
<b>MON-SUN, MON-FRI, SAT-SUN,</b>	Press <b>ENTER/NEXT</b> to save. Go to step 8. <b>NOTE:</b> <i>If you are performing the procedure Setting Astronomic and Fixed Events, return to step 4 of that procedure.</i>
<i>Individual days</i>	Press <b>+ or -</b> to select event ON or event -- (OFF) for Monday and press <b>DAY</b> . Go to step 6.

6. Repeat the process for each day of the week. When all the individual days are configured, press the applicable ON/OFF buttons for the applicable loads that you want to include with the fixed timed event.
7. Press **ENTER/NEXT** to save.  
**NOTE:** *If you are performing the procedure Setting Astronomic and Fixed Events, return to step 4 of that procedure.*
8. Repeat steps 2 through 7 to set the fixed OFF event. After both fixed on and fixed off are set, go to step 9.
9. Take one of these actions:

<i>If...</i>	<i>Then...</i>
<i>Another fixed timed event needs to be set,</i>	<i>Repeat steps 2 through 8.</i>
<i>All the events are set,</i>	Press <b>MODE</b> to exit. Go to step 10.

10. Press **MODE** to place the time switch in **AUTO** (Mode). This enables the time switch to automatically initiate configured scheduled events.  
**NOTE:** *In **AUTO Mode**, the time switch follows the user-configured events, and the circuits turn ON and OFF at the configured time(s). In **MANUAL mode**, the time switch does not follow user-configured events and only activates circuits when an ON/OFF button is pressed. Press **MODE** again to return the controller to **MANUAL mode**.*  
**NOTE:** *Press **ON/OFF** to override a program in Auto Mode. After a program is overridden, the time switch returns to the normal schedule.*

## Setting Astronomic and Fixed Events

To combine Astronomic and fixed events, only program one event in each ON/OFF event pair for both Astro and Fixed events. For example, a combination Astro and fixed event schedule could be a Sunset ON and a Fixed event off for 10 P.M. It is recommended to determine your facility schedules in advance and then program the time switch. If applicable, different combinations can be configured for different loads.

Follow these guidelines to configure a combination Astro and Fixed Event schedule.

1. Program the Sunset ON or Sunup OFF events for the applicable loads as instructed in Setting Astro On/Off Events.  
**NOTE:** *After a Sunset or Sunup is configured, be sure to leave the other On or Off event blank.*
2. Press **MODE** to scroll to **SET FIXED ON/OFF**.
3. Program the Fixed ON or Fixed OFF events for the applicable loads as instructed in Setting Fixed Timed Events.  
**NOTE:** *After a Fixed ON or OFF is configured, be sure to leave the other ON or OFF event blank.*
4. When all the schedules are complete, press **MODE** to exit the fixed event screen.

## Daily Operation

Perform the Daily Operation procedures as needed. They include resetting the controller, deleting an event, and clearing time switch memory.

### Deleting (Clearing) an Event

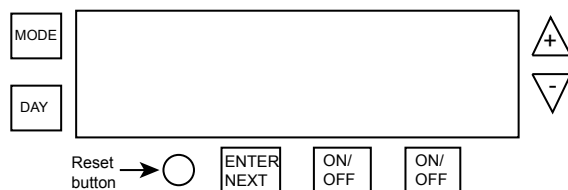
Astro events and fixed timed events can be deleted from the time switch. If you need to delete an event, follow this procedure.

1. If necessary, press **MODE** to scroll through the menus to **SET ASTRO** or **SET FIXED ON/OFF EVENTS** screen.
2. Press **ENTER/NEXT** as necessary to scroll through the scheduled events until you see the event you want to delete.
3. Press **+ and - AT THE SAME TIME** to display --:-- --. This indicates the event is erased.
4. Press **MODE** to exit.

## Resetting the Time Switch

To perform a reset, press the reset button. The following occurs:

- All display segments activate for one second, then the timer model number appears, followed by the firmware revision.
- The current operational mode setting appears for the first two relays, followed by the current setting for the last two relays.
- The time switch defaults to Manual Mode.
- The time of day resets to 12:00 AM and the day of the week flashes.



## Clearing Time Switch Memory

During a memory clear, the time switch performs the same actions as a reset, but also clears all user settings, except the custom Day-light Savings Time settings. To perform a memory clear do the following:

1. Press and hold **ENTER/NEXT**.
2. While pressing and holding **ENTER/NEXT**, press and release the reset button. Do not release **ENTER/NEXT**.
3. Continue to press and hold **ENTER/NEXT** until **MEM CLEAR** and **DONE** appear, followed by the configured operational mode setting.

In addition, the following occurs:

4. The time of day is reset to January 1 at 12:00 A.M.
- The timer returns to Manual Mode
  - The operational settings can be adjusted
  - The Astronomical zone defaults to AL (Alabama) and CNT (center).
  - The Astronomical user offsets are set to zero.
  - All scheduled switching activity settings are erased.
  - All calendar information is erased.
  - The display flashes as described in the reset procedure.

## Specifications

### Time Switch

- Input Voltage: 120 to 277 VAC, 50/60 Hz
- Power Consumption: 7 watts maximum
- Contact Configuration: SPST x 4. See wiring diagrams in this manual

### Contact Ratings:

UL	CSA	Load Type	Voltage	Frequency
30 Amp	30 Amp	Resistive	120/240 VAC	60 Hz
20 Amp	20 Amp	Resistive	28 VDC	–
30 Amp	30 Amp	Inductive	120/240 VAC	60 Hz
20 Amp	20 Amp	Ballast	120-277 VAC	60 Hz
5 Amp	5 Amp	Tungsten	120/240 VAC	60 Hz
1 HP	1 HP	Motor	120 VAC	60 Hz
2 HP	2 HP	Motor	240 VAC	60 Hz
4.5 Amp	–	Electronic Ballast	120-277 VAC	60 Hz

**Events**—Time switch can support up to 28 timed ON and 28 timed OFF events and 4 Astro ON and 4 Astro OFF events.

**Clock Backup**—100-hour Supercapacitor

**Minimum ON or OFF time**—1 minute

**Maximum ON or OFF time**—Indefinite

**Shipping Weight**—2.5 lb. (1.1 kg)

**Enclosures**—Type 3R indoor/outdoor lockable metal enclosure

**Knockouts**—Combination 1/2-3/4 inch size, 1 on back and each side, 2 on bottom

**Wire Size**—AWG #14 through #8

#### LIMITED ONE-YEAR WARRANTY

If within the warranty period specified, this product fails due to a defect in material or workmanship, Intermatic Incorporated will repair or replace it, at its sole option, free of charge. This warranty is extended to the original household purchaser only and is not transferable. This warranty does not apply to: (a) damage to units caused by accident, dropping or abuse in handling, acts of God or any negligent use; (b) units which have been subject to unauthorized repair, opened, taken apart or otherwise modified; (c) units not used in accordance with instructions; (d) damages exceeding the cost of the product; (e) sealed lamps and/or lamp bulbs, LED's and batteries; (f) the finish on any portion of the product, such as surface and/or weathering, as this is considered normal wear and tear; (g) transit damage, initial installation costs, removal costs, or reinstallation costs.

**INTERMATIC INCORPORATED WILL NOT BE LIABLE FOR INCIDENTAL OR CONSEQUENTIAL DAMAGES. SOME STATES DO NOT ALLOW THE EXCLUSION OR LIMITATION OF INCIDENTAL OR CONSEQUENTIAL DAMAGES, SO THE ABOVE LIMITATION OR EXCLUSION MAY NOT APPLY TO YOU. THIS WARRANTY IS IN LIEU OF ALL OTHER EXPRESS OR IMPLIED WARRANTIES. ALL IMPLIED WARRANTIES, INCLUDING THE WARRANTY OF MERCHANTABILITY AND THE WARRANTY OF FITNESS FOR A PARTICULAR PURPOSE, ARE HEREBY MODIFIED TO EXIST ONLY AS CONTAINED IN THIS LIMITED WARRANTY, AND SHALL BE OF THE SAME DURATION AS THE WARRANTY PERIOD STATED ABOVE. SOME STATES DO NOT ALLOW LIMITATIONS ON THE DURATION OF AN IMPLIED WARRANTY, SO THE ABOVE LIMITATION MAY NOT APPLY TO YOU.**

This warranty service is available by either (a) returning the product to the dealer from whom the unit was purchased or (b) completing a warranty claim online at [www.intermatic.com](http://www.intermatic.com). This warranty is made by: Intermatic Incorporated, Customer Service 7777 Winn Rd., Spring Grove, Illinois 60081-9698. For warranty service go to: <http://www.intermatic.com> or call 815-675-7000.

INTERMATIC INCORPORATED  
7777 Winn Road  
SPRING GROVE, ILLINOIS 60081-9698  
[www.intermatic.com](http://www.intermatic.com)

158--02042